

US00D942600S

(12) **United States Design Patent**  
**O'Connor**

(10) **Patent No.:** **US D942,600 S**

(45) **Date of Patent:** **\*\* Feb. 1, 2022**

(54) **TOILET BOWL SHIELD**  
(71) Applicant: **Tiffany O'Connor**, Blauvelt, NY (US)  
(72) Inventor: **Tiffany O'Connor**, Blauvelt, NY (US)  
(\*\*) Term: **15 Years**

2004/0210997 A1\* 10/2004 Samuels ..... A47K 4/00  
4/484  
2007/0245486 A1 10/2007 Battle  
2011/0271433 A1 11/2011 Aspiro  
2014/0215701 A1 8/2014 Jenkins  
2016/0206158 A1 7/2016 Boillat-Macon  
2016/0324378 A1 11/2016 Padar  
2019/0209399 A1\* 7/2019 Wheeler ..... A47K 17/00

(21) Appl. No.: **29/752,827**  
(22) Filed: **Sep. 29, 2020**  
(51) **LOC (13) Cl.** ..... **23-02**  
(52) **U.S. Cl.**  
USPC ..... **D23/311**  
(58) **Field of Classification Search**  
USPC ..... D23/311-312  
See application file for complete search history.

**FOREIGN PATENT DOCUMENTS**

EP 0194250 7/1986

\* cited by examiner

*Primary Examiner* — Robert A Delehanty

(57) **CLAIM**

The ornamental design for a toilet bowl shield, as shown and described.

(56) **References Cited**

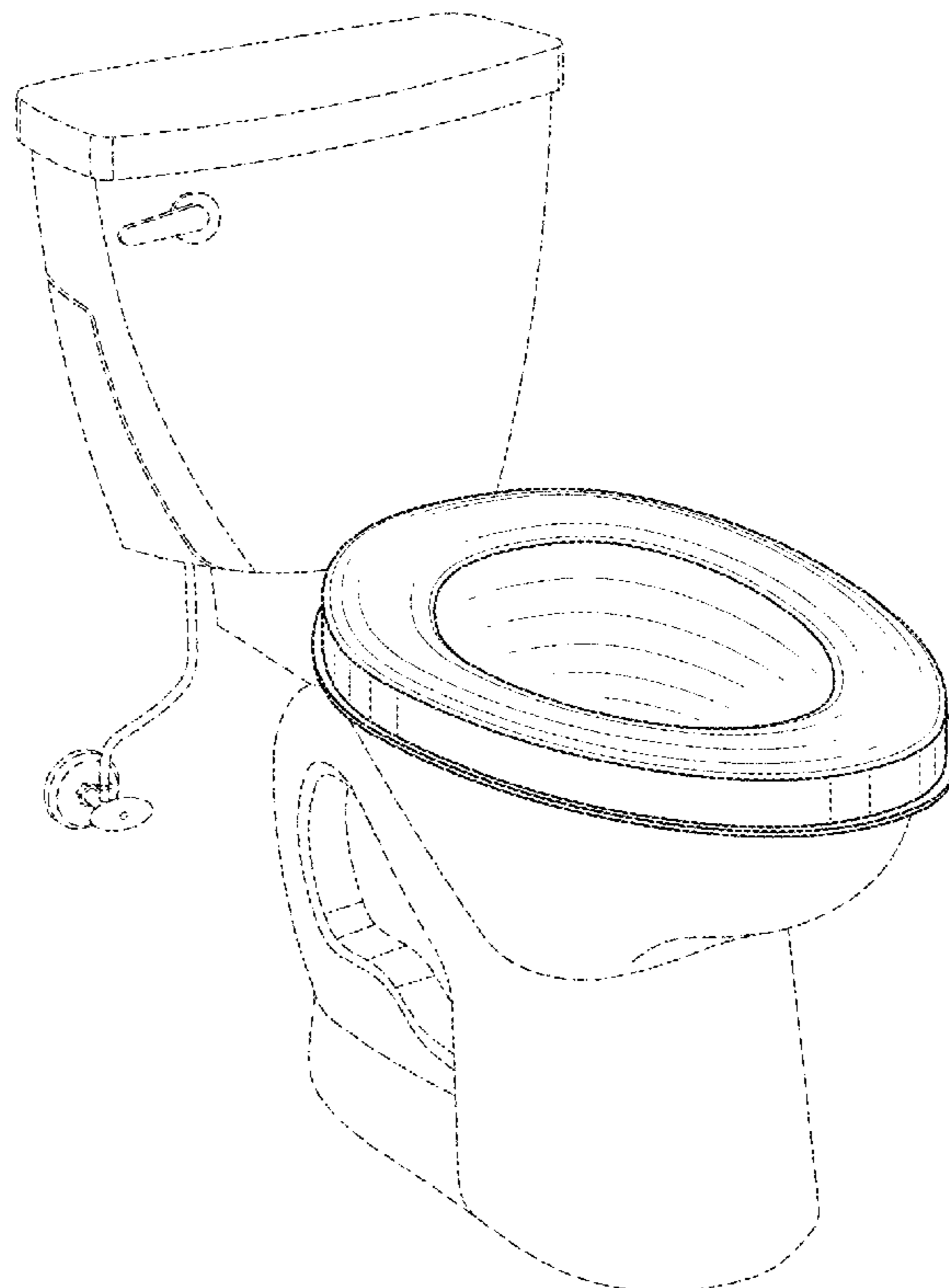
**U.S. PATENT DOCUMENTS**

3,729,748 A \* 5/1973 Perlman ..... A47K 3/26  
4/445  
4,050,105 A 9/1977 Marceaux  
D320,069 S 9/1991 Rossiter  
5,803,778 A \* 9/1998 Hardy ..... B63B 17/06  
4/484  
6,115,855 A \* 9/2000 Lorenzo ..... A47K 11/06  
4/484  
6,647,560 B1 \* 11/2003 Hingley ..... A47K 11/04  
297/16.2  
D492,017 S \* 6/2004 Brown ..... D23/311  
6,996,859 B1 2/2006 Alonso  
8,656,523 B2 2/2014 Vaniakin  
2003/0208836 A1 11/2003 Bankemper

**DESCRIPTION**

FIG. 1 is a front view of a toilet bowl shield showing my new design;  
FIG. 2 is a rear view of the toilet bowl shield;  
FIG. 3 is a right side view of the toilet bowl shield;  
FIG. 4 is a left side view of the toilet bowl shield;  
FIG. 5 is a top view of the toilet bowl shield;  
FIG. 6 is a bottom view of the toilet bowl shield; and,  
FIG. 7 is a top front side perspective view of the toilet bowl shield in use.  
The broken lines in FIG. 7 are illustrative of environmental structure forming no part of the claimed design.

**1 Claim, 7 Drawing Sheets**



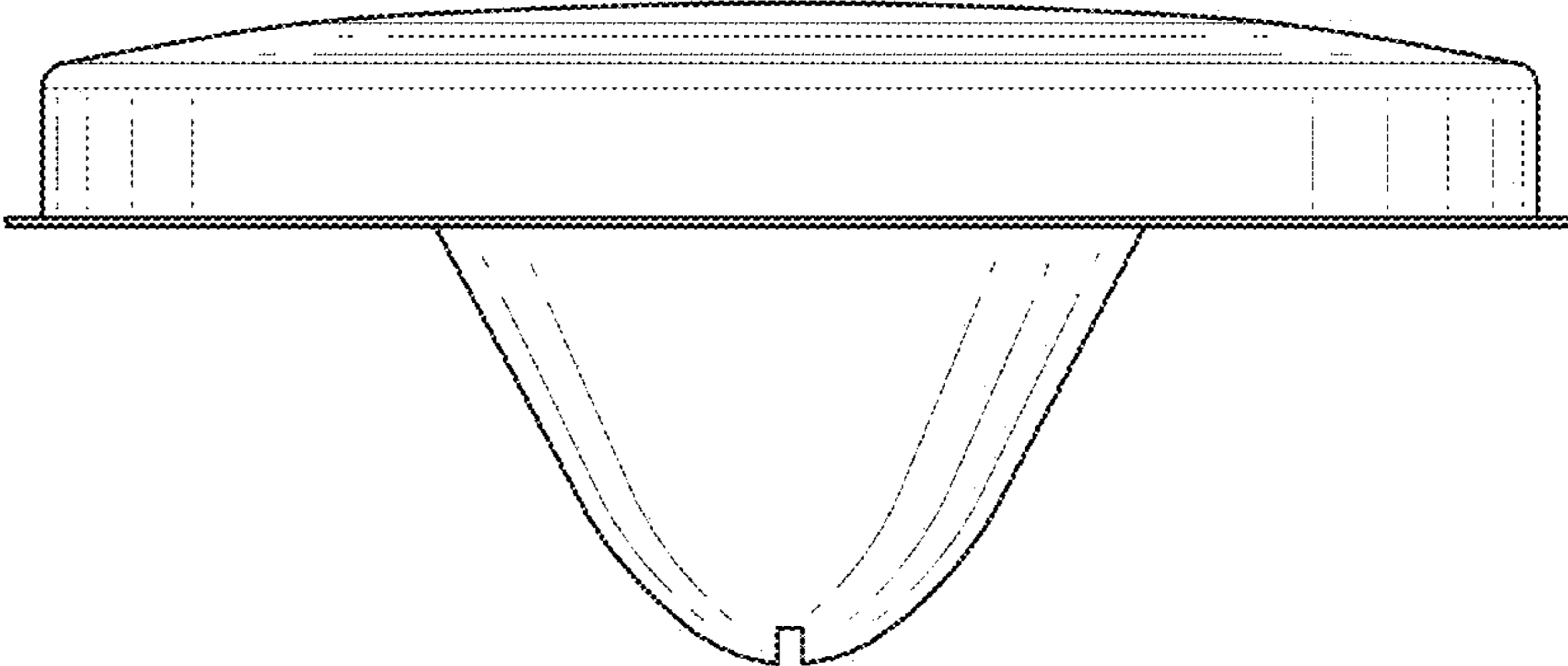


FIG. 1

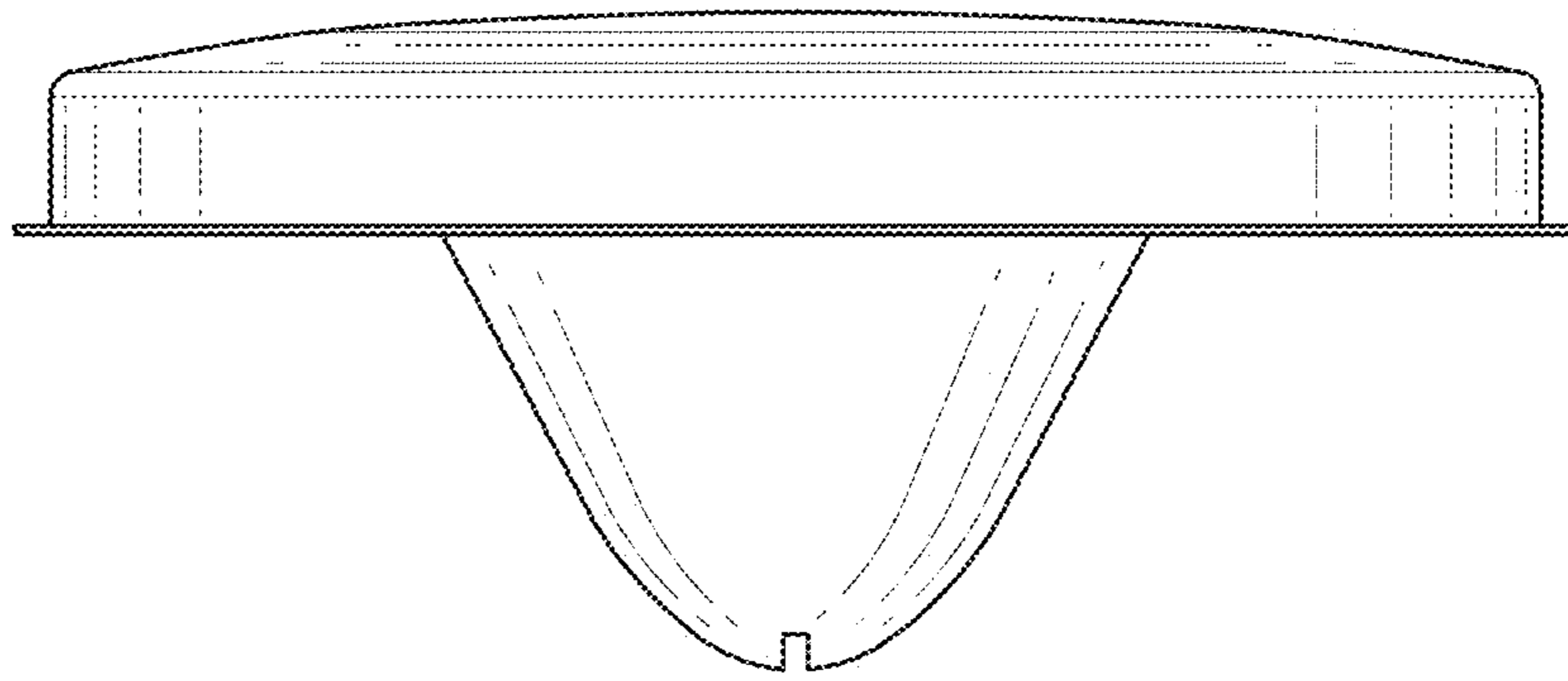


FIG. 2

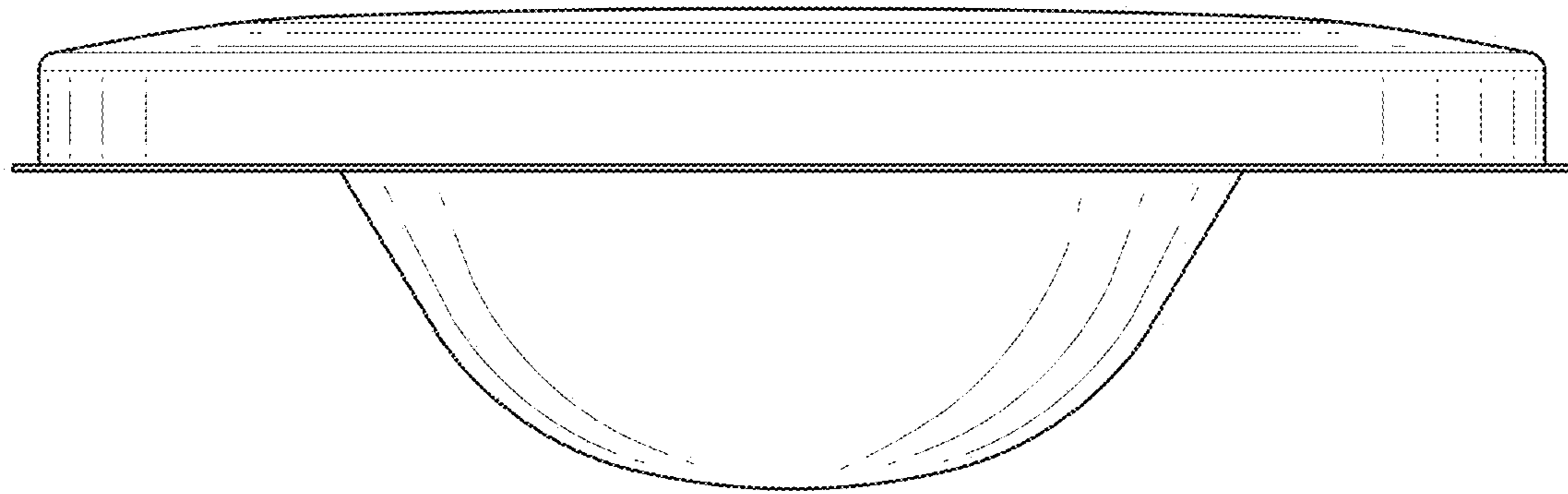


FIG. 3

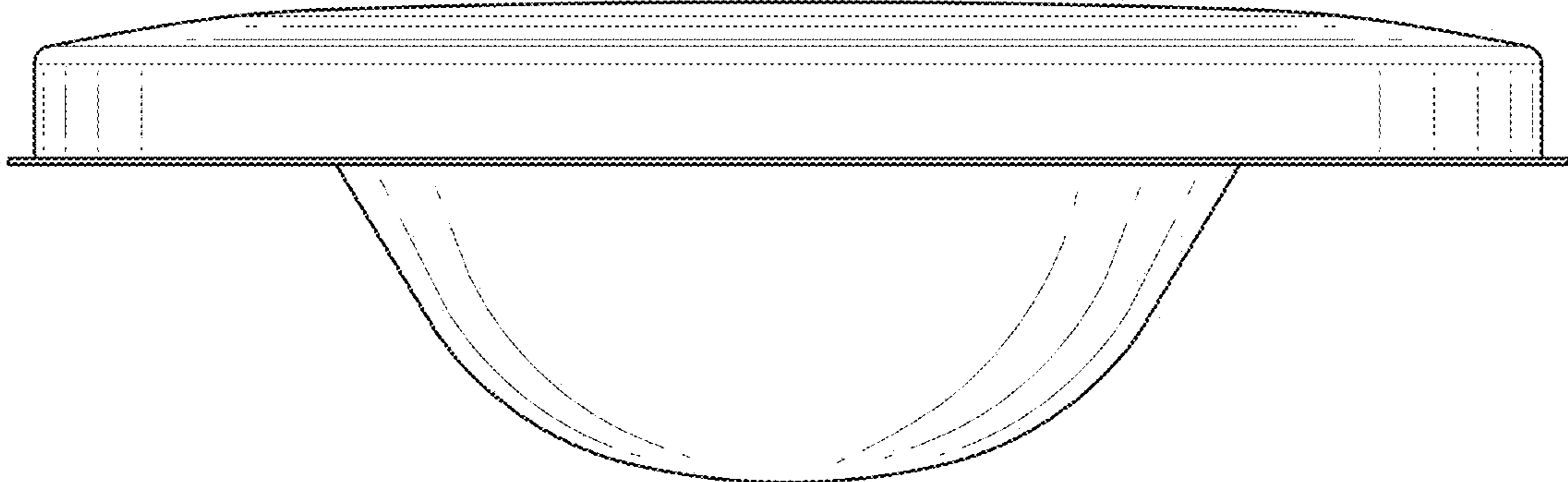


FIG. 4

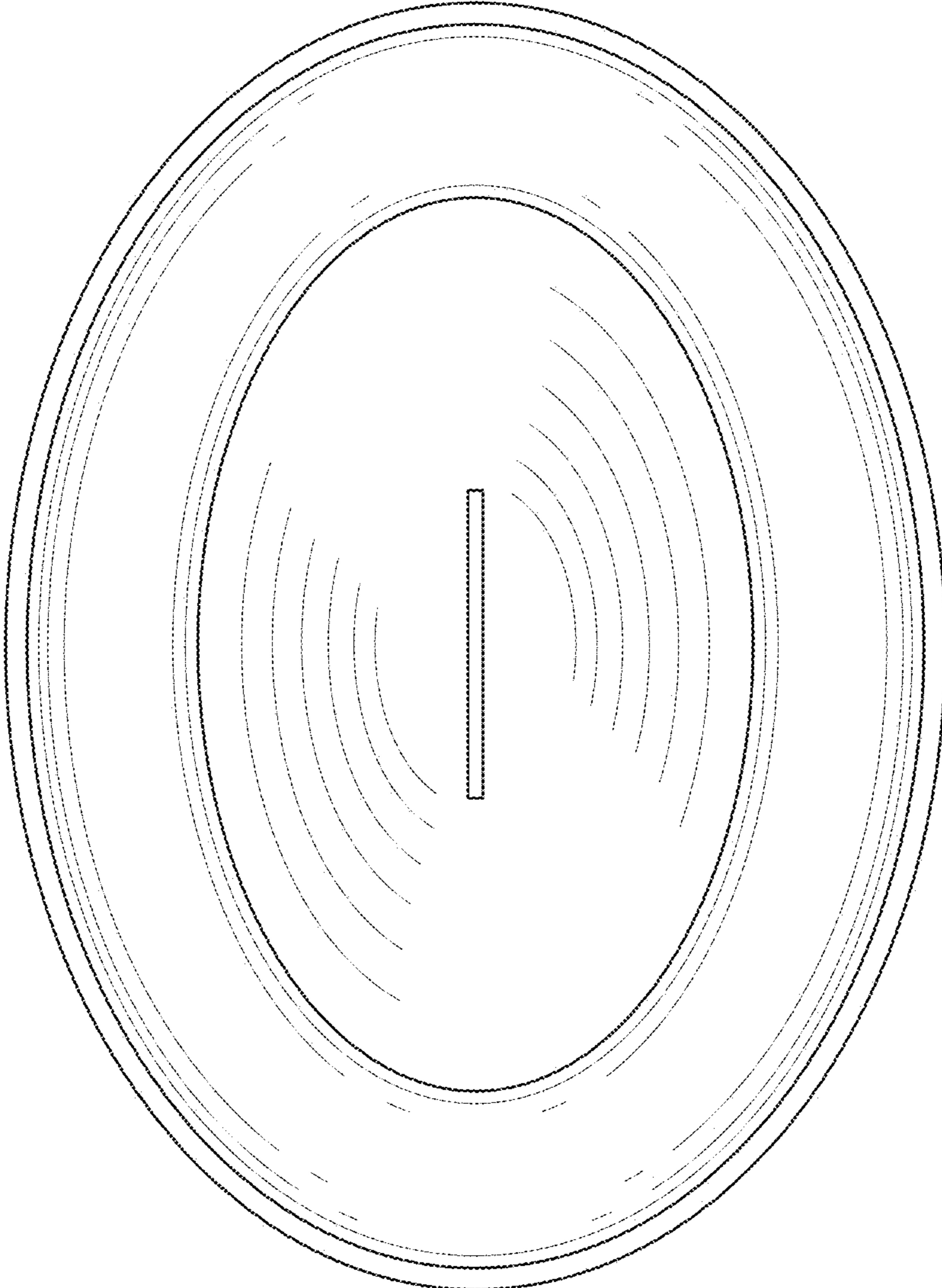


FIG. 5

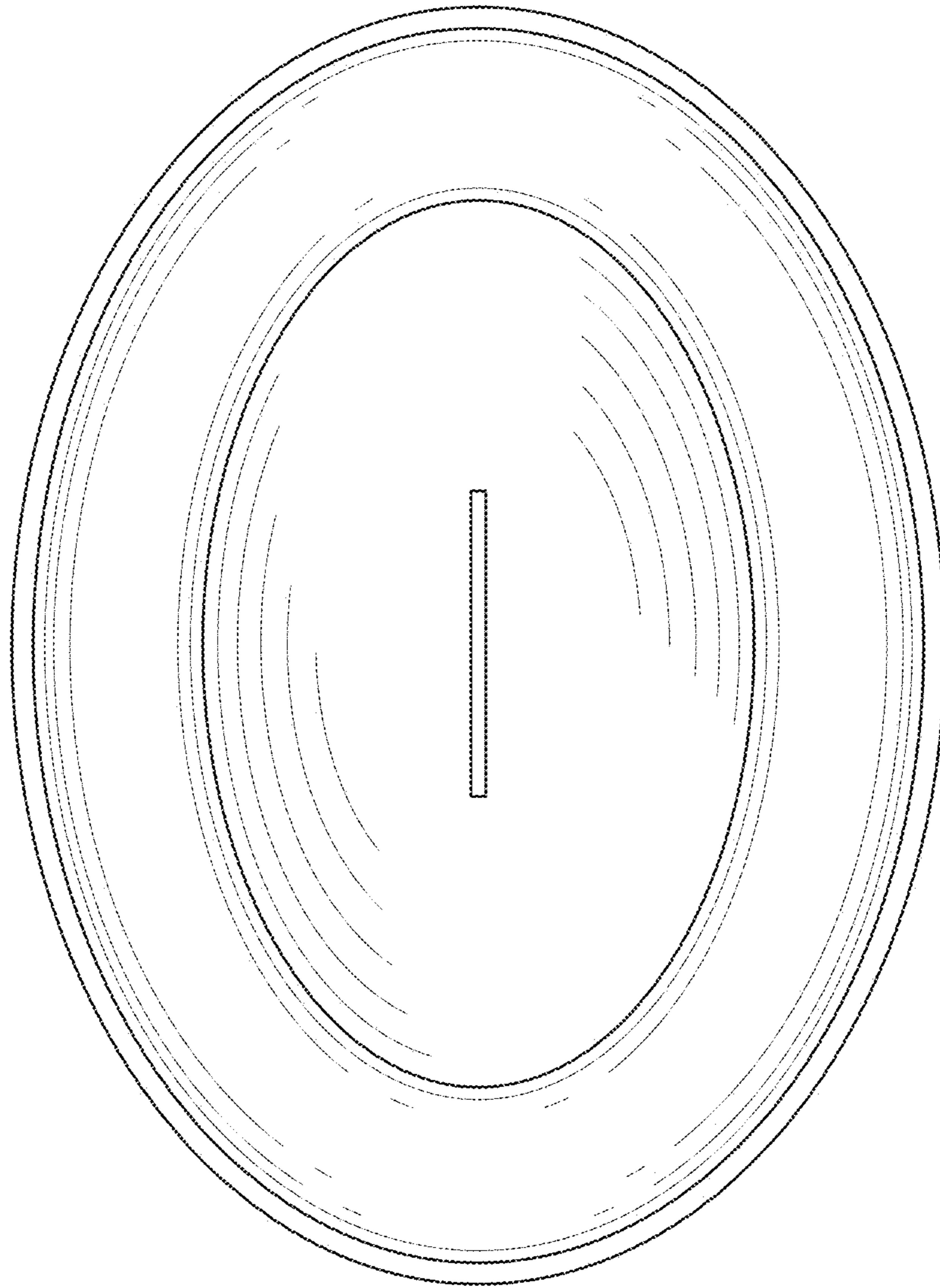


FIG. 6



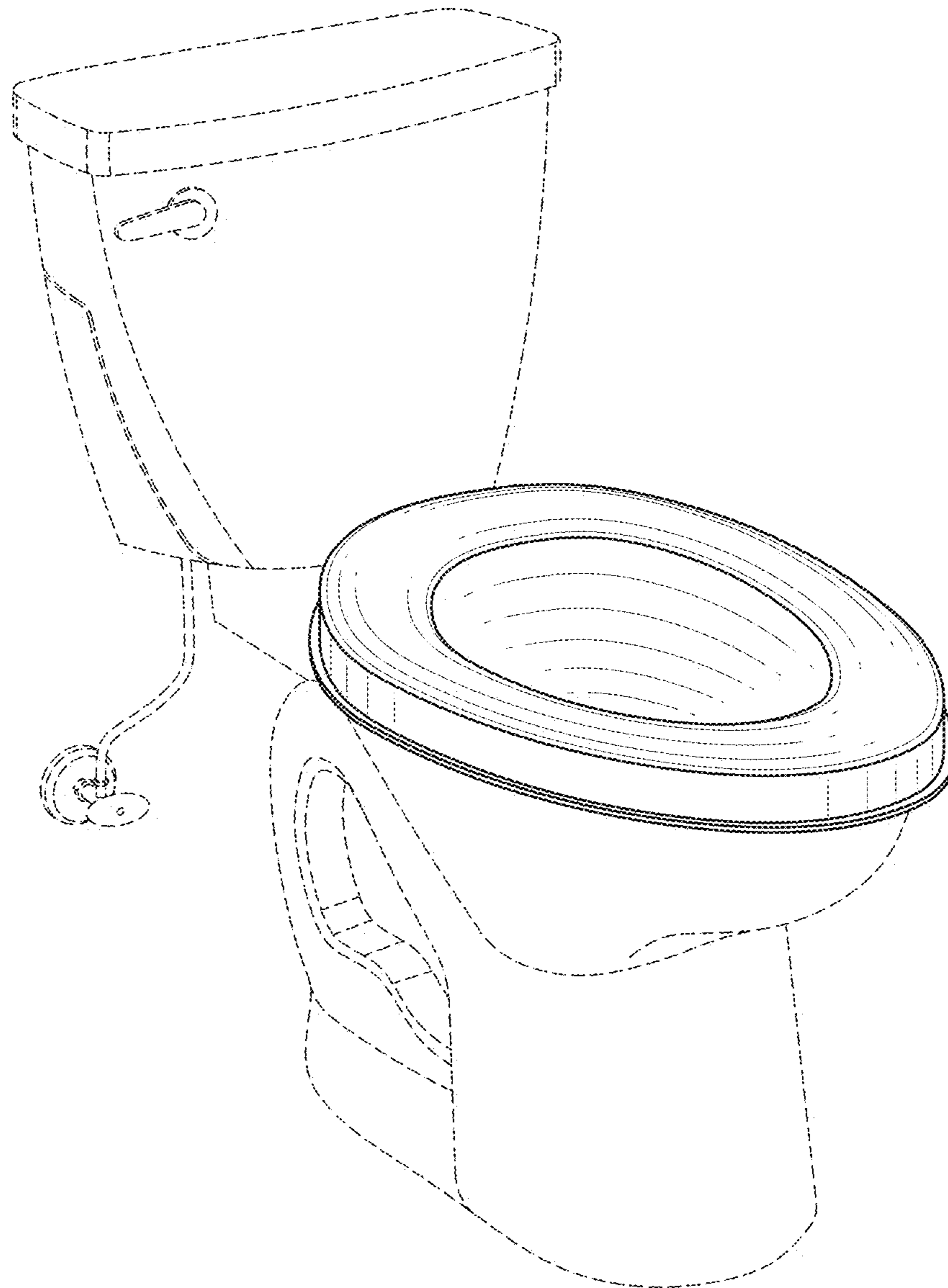


FIG. 7