



US00D942598S

(12) **United States Design Patent** (10) **Patent No.:** **US D942,598 S**  
**Küng et al.** (45) **Date of Patent:** **\*\* Feb. 1, 2022**

(54) **TOILET**

(71) Applicant: **CLOsac AG**, Grabs (CH)

(72) Inventors: **Aline Küng**, Lucerne (CH); **Giovanni Doci**, Lucerne (CH); **Josias Marti**, Lucerne (CH); **Tobias Nüesch**, Lucerne (CH); **Fernando Cruz**, Lucerne (CH)

(73) Assignee: **CLOsac AG**, Grabs (CH)

(\*\*) Term: **15 Years**

(21) Appl. No.: **35/508,624**

(22) Filed: **Sep. 27, 2019**

(80) **Hague Agreement Data**

Int. Filing Date: **Sep. 27, 2019**

Int. Reg. No.: **DM/205866**

Int. Reg. Date: **Sep. 27, 2019**

Int. Reg. Pub. Date: **Feb. 14, 2020**

(30) **Foreign Application Priority Data**

Mar. 27, 2019 (DE) ..... 40 2019 100 387.8

(51) **LOC (13) Cl.** ..... **23-02**

(52) **U.S. Cl.**  
USPC ..... **D23/295**

(58) **Field of Classification Search**

USPC ..... D23/295-301, 303, 309, 313

CPC ..... A47K 11/00; A47K 11/02; A47K 13/00;  
Y10S 4/05

See application file for complete search history.

(56) **References Cited**

**U.S. PATENT DOCUMENTS**

D453,555 S \* 2/2002 Tako ..... D23/295  
D465,562 S \* 11/2002 Moore ..... D23/295  
D487,138 S \* 2/2004 Billsund ..... D23/295  
D531,711 S \* 11/2006 Bradford ..... D23/295  
D556,300 S \* 11/2007 Lin ..... D23/295

(Continued)

*Primary Examiner* — *Natasha Vujcic*

(74) *Attorney, Agent, or Firm* — *Burr & Brown, PLLC*

(57) **CLAIM**

The ornamental design for a toilet, as shown and described.

**DESCRIPTION**

Fig. 5.1 is a perspective view of a toilet showing our new design;

Fig. 5.2 is a right view thereof;

Fig. 5.3 is a left view thereof;

Fig. 5.4 is a front view thereof;

Fig. 5.5 is a top view thereof;

Fig. 5.6 is a bottom view thereof;

Fig. 5.7 is a rear view thereof;

Fig. 6.1 is a perspective view of a toilet showing our new design;

Fig. 6.2 is a right view thereof;

Fig. 6.3 is a left view thereof;

Fig. 6.4 is a front view thereof;

Fig. 6.5 is a top view thereof;

Fig. 6.6 is a bottom view thereof;

Fig. 6.7 is a rear view thereof;

Fig. 7.1 is a perspective view of a toilet showing our new design;

Fig. 7.2 is a right view thereof;

Fig. 7.3 is a left view thereof;

Fig. 7.4 is a front view thereof;

Fig. 7.5 is a top view thereof;

Fig. 7.6 is a bottom view thereof;

Fig. 7.7 is a rear view thereof;

Fig. 8.1 is a perspective view of a toilet showing our new design;

Fig. 8.2 is a right view thereof;

Fig. 8.3 is a left view thereof;

Fig. 8.4 is a front view thereof;

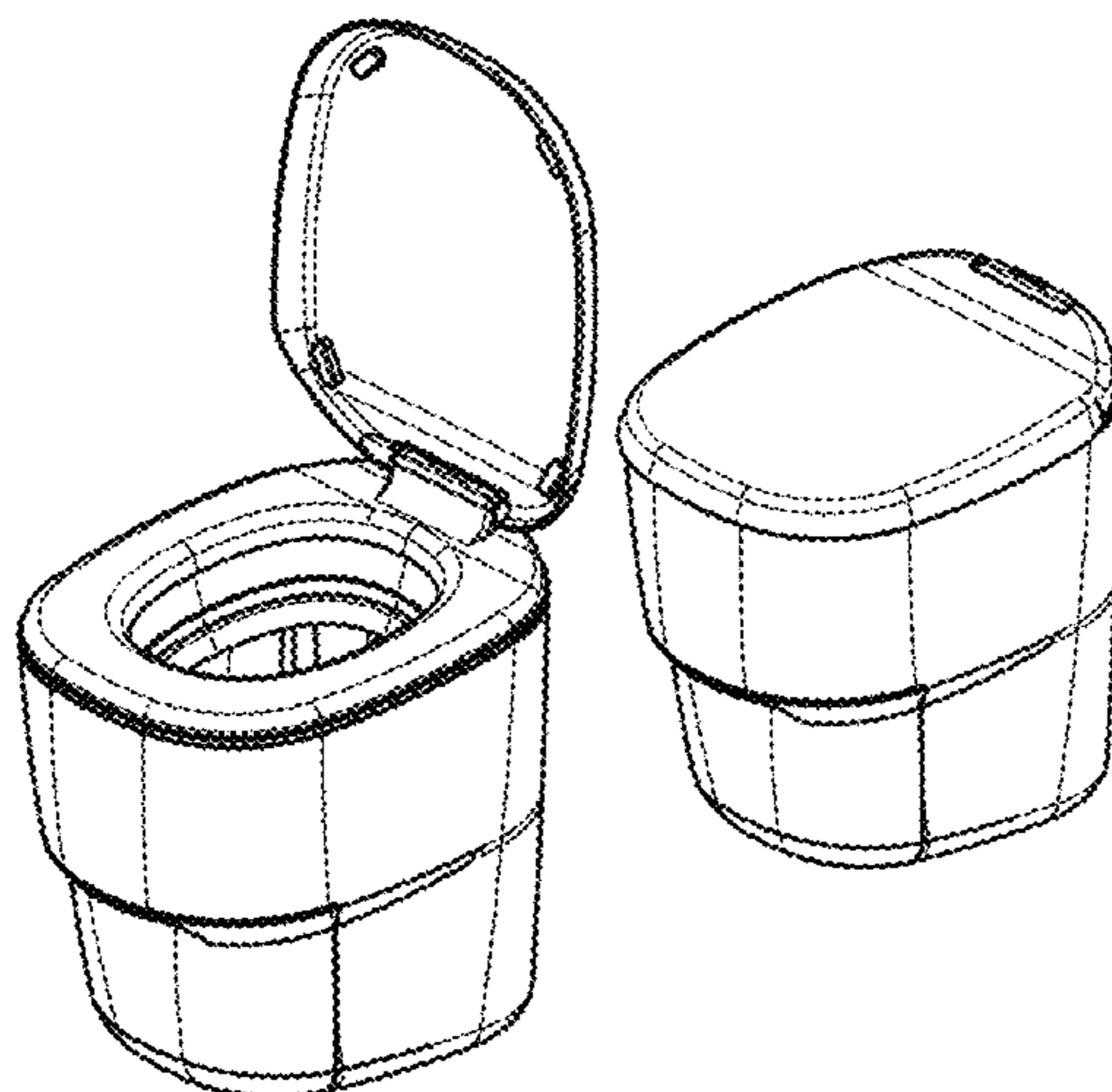
Fig. 8.5 is a top view thereof;

Fig. 8.6 is a bottom view thereof;

Fig. 8.7 is a rear view thereof.

The broken lines in the drawings depict unclaimed subject matter only and form no part of the claimed design.

**1 Claim, 28 Drawing Sheets**



(56)

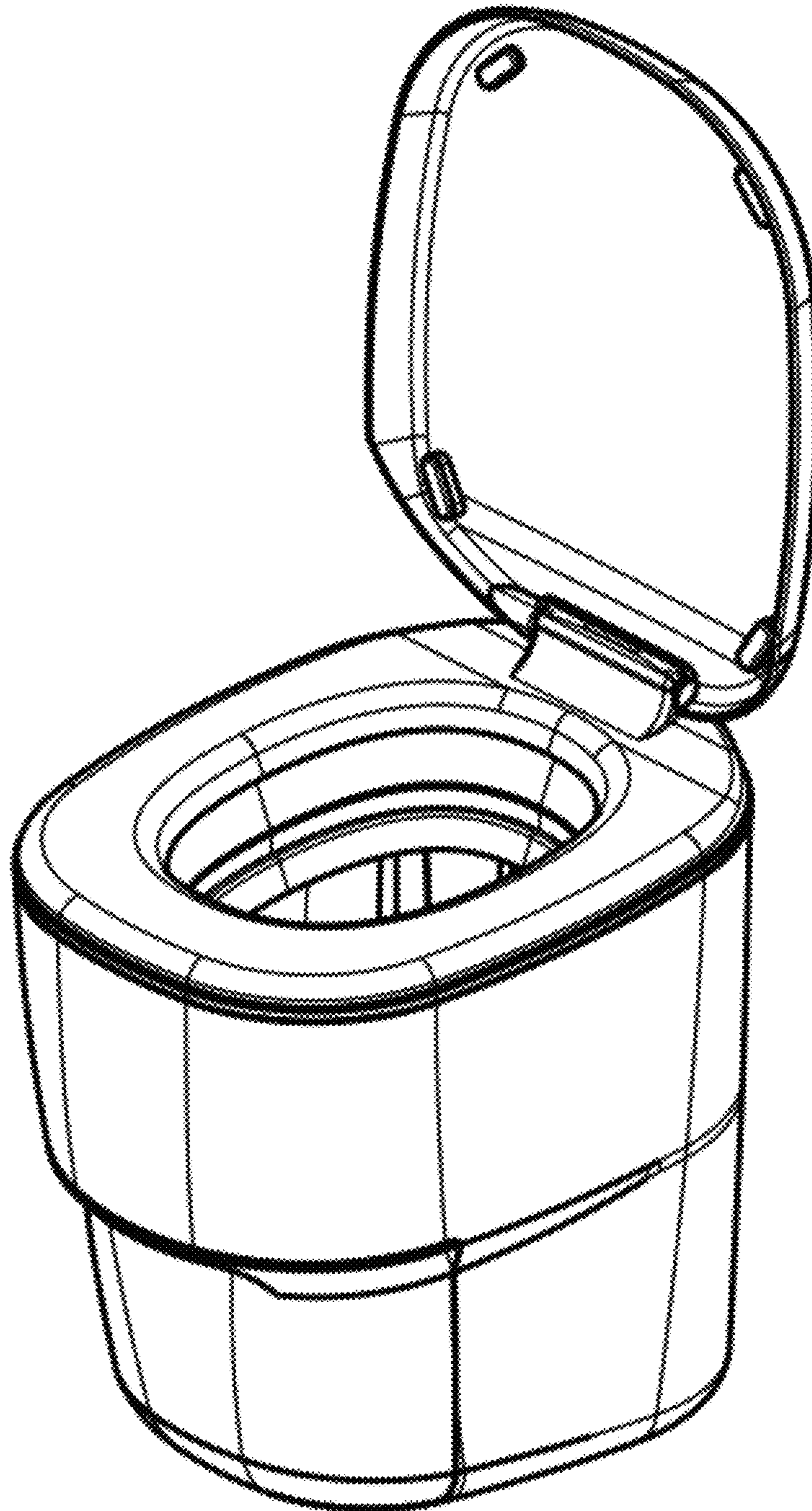
**References Cited**

U.S. PATENT DOCUMENTS

D587,356 S *	2/2009	Cummings .....	D23/295
D658,277 S *	4/2012	Iranyi .....	D23/295
D658,278 S *	4/2012	Wang .....	D23/295
D667,941 S *	9/2012	Bickerstaffe .....	D23/295
D701,949 S *	4/2014	Bates .....	D23/295
D708,722 S *	7/2014	Jochim .....	D23/309
D743,011 S *	11/2015	Woodside .....	D23/299
D752,191 S *	3/2016	Eads .....	D23/295
D810,898 S *	2/2018	Tsudoku .....	D23/295
D823,446 S *	7/2018	Garrels .....	D23/300
D844,118 S *	3/2019	Jeong .....	D23/295
D862,666 S *	10/2019	Song .....	D23/295
D866,729 S *	11/2019	Waggoner .....	D23/299
D891,592 S *	7/2020	Berschinn .....	D23/300

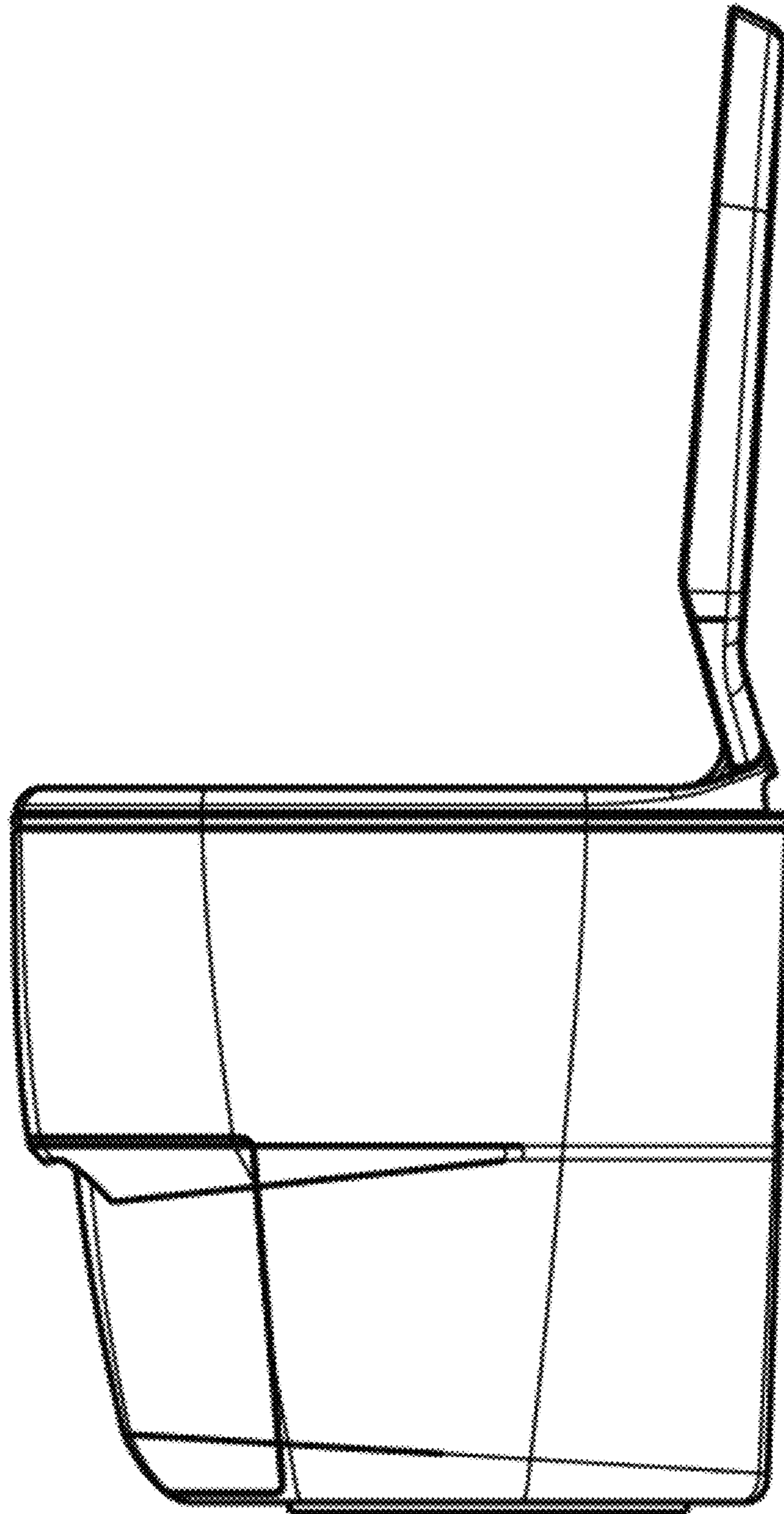
\* cited by examiner

# 5.1

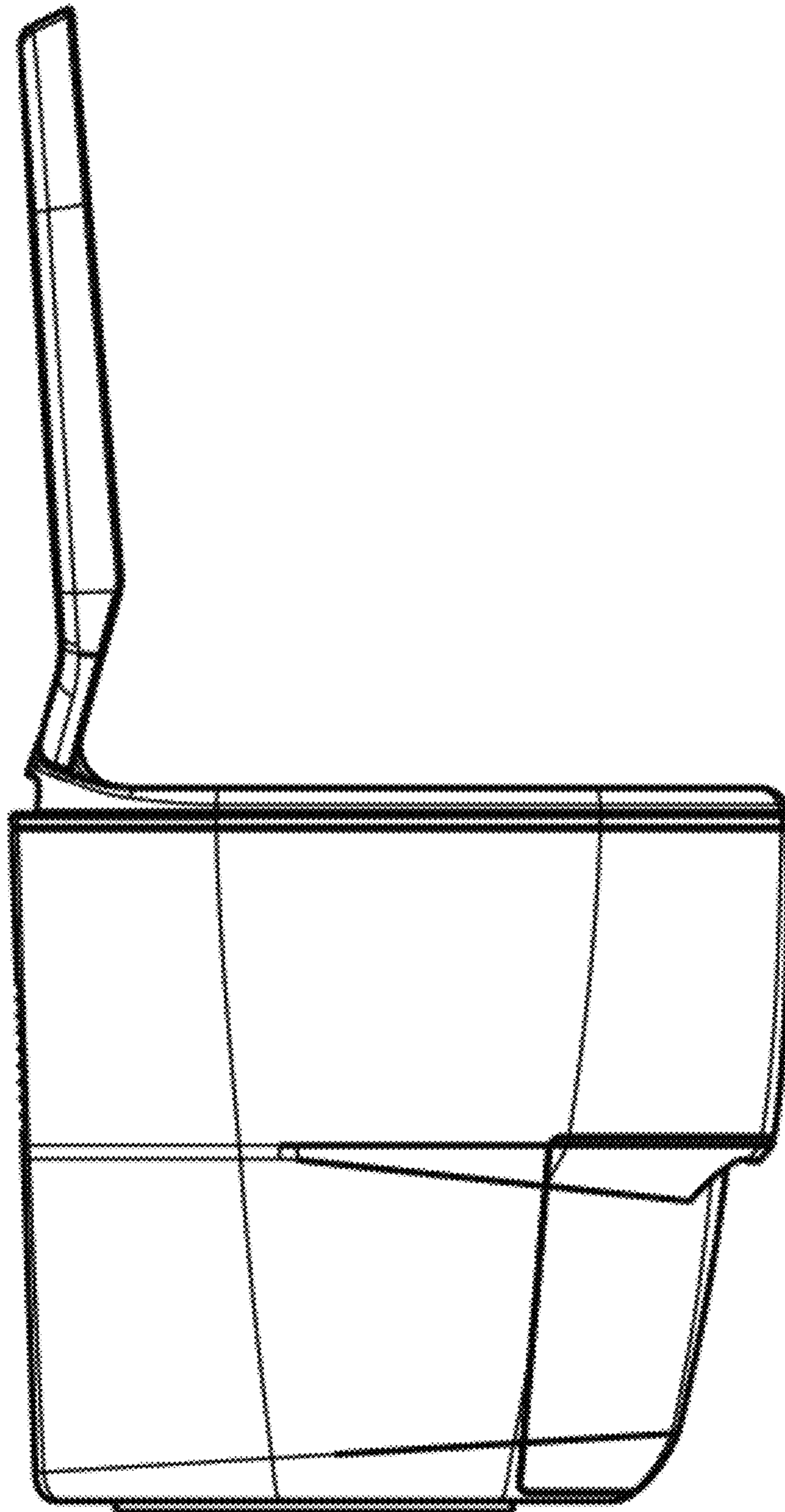




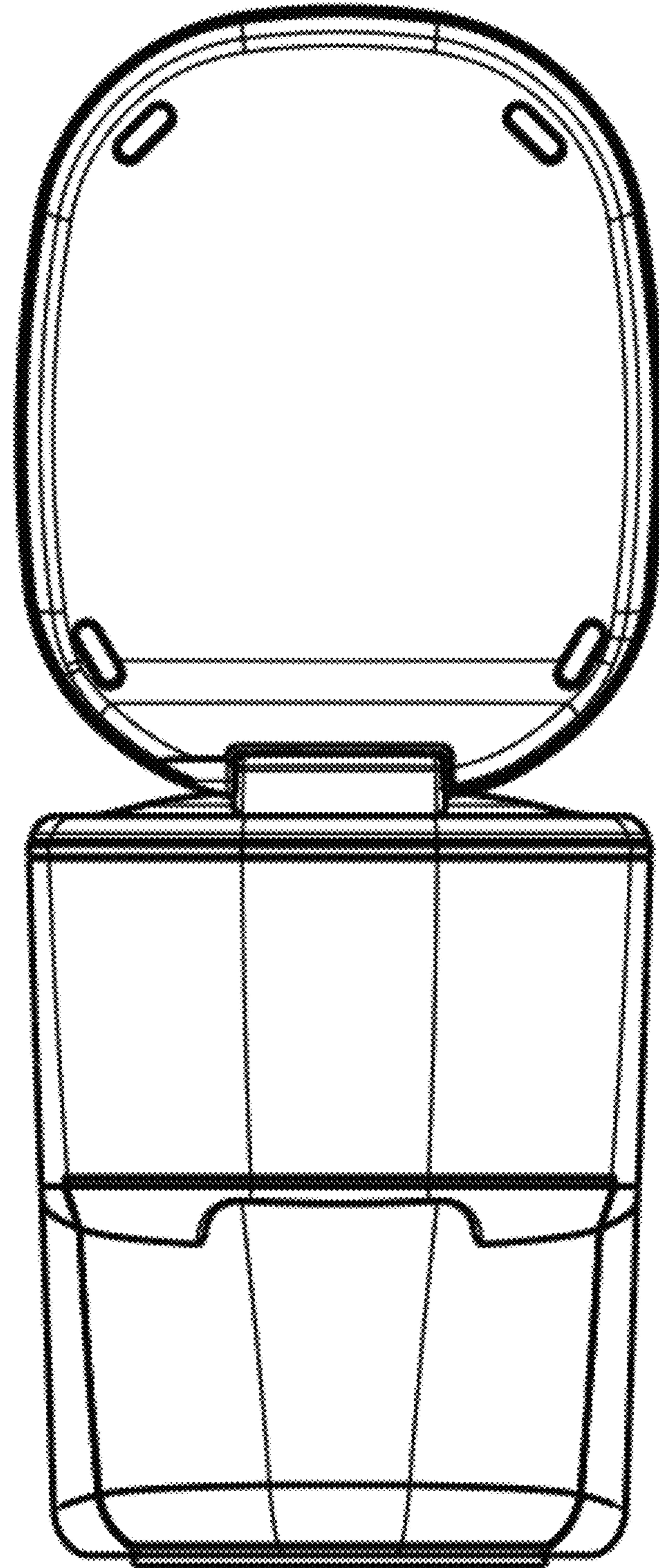
# 5.2



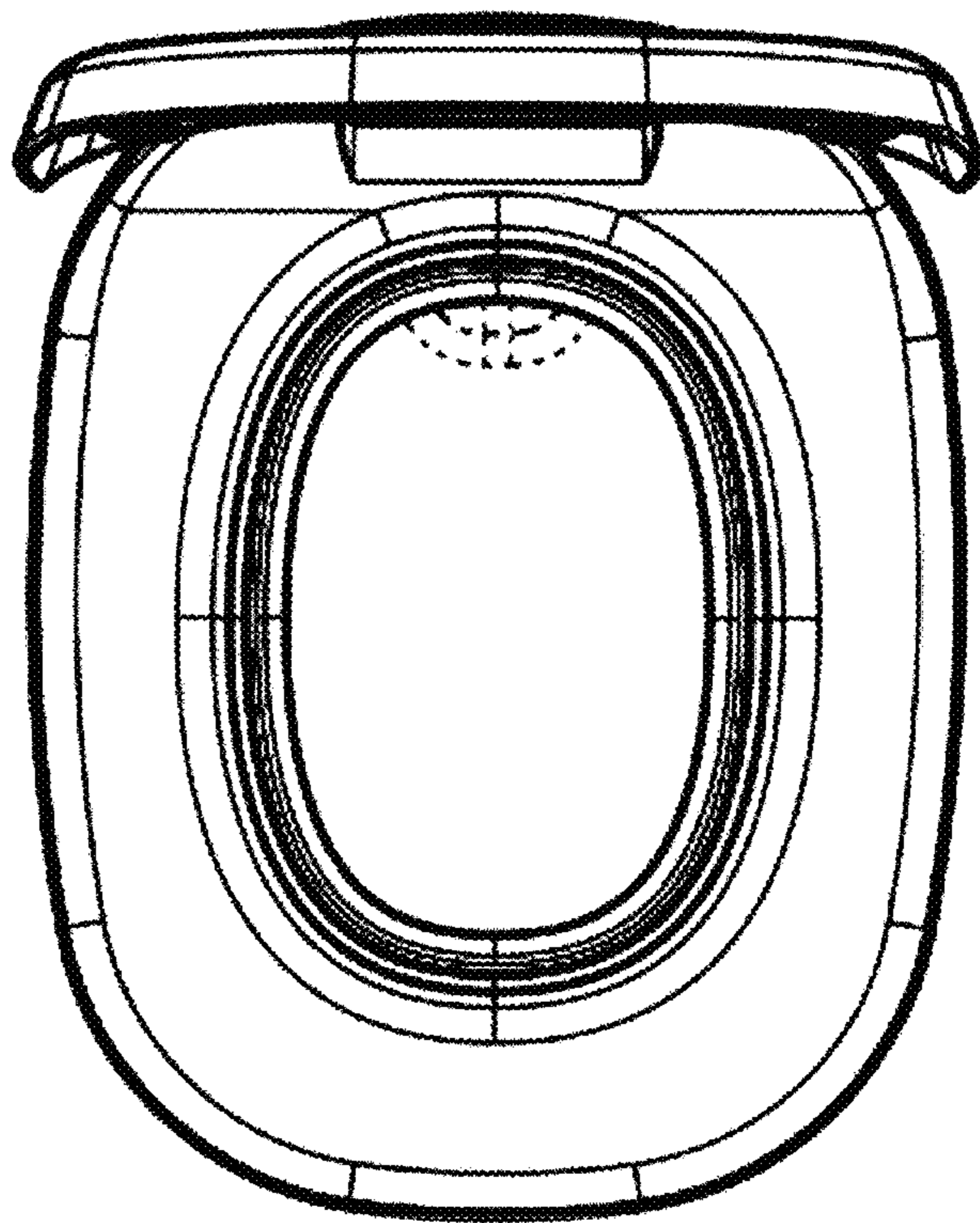
5.3



5.4

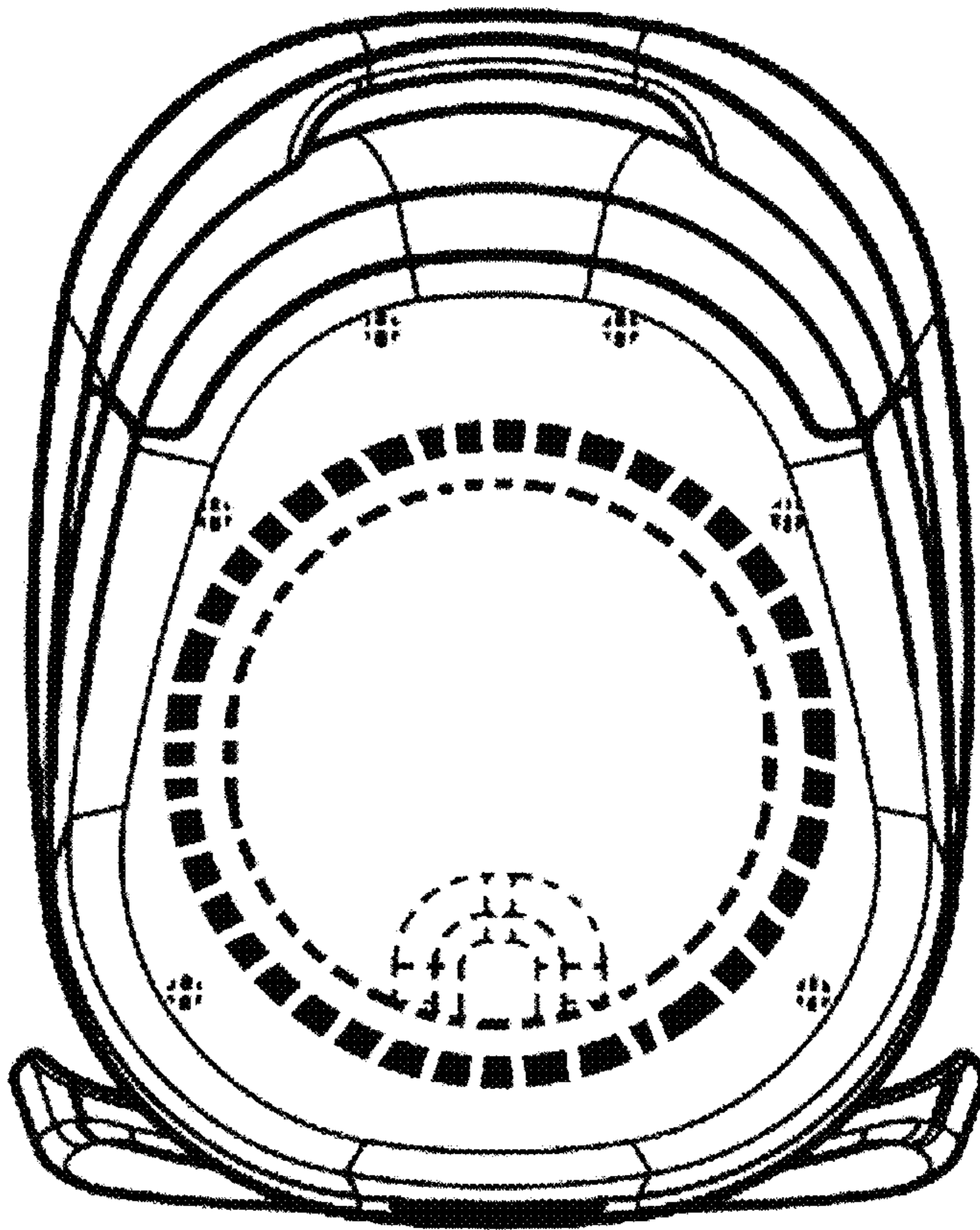


5.5



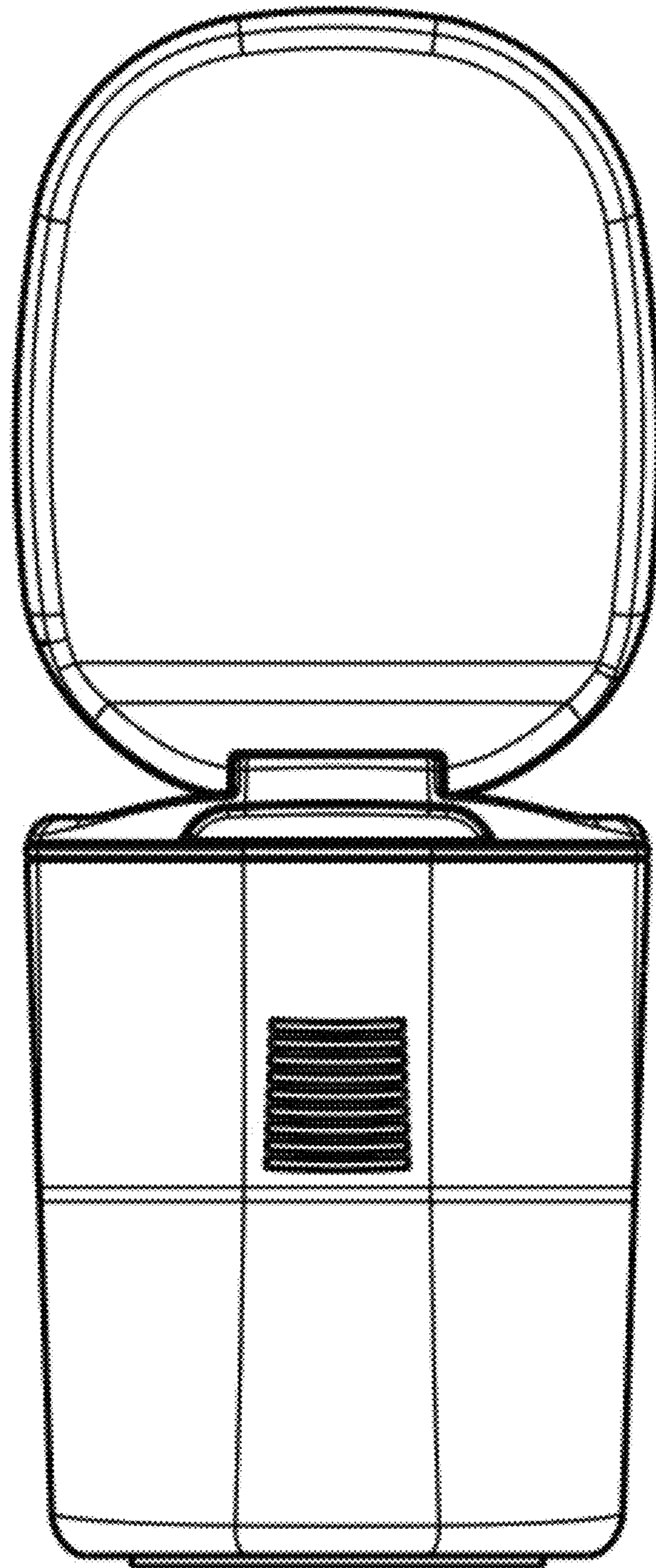


5.6

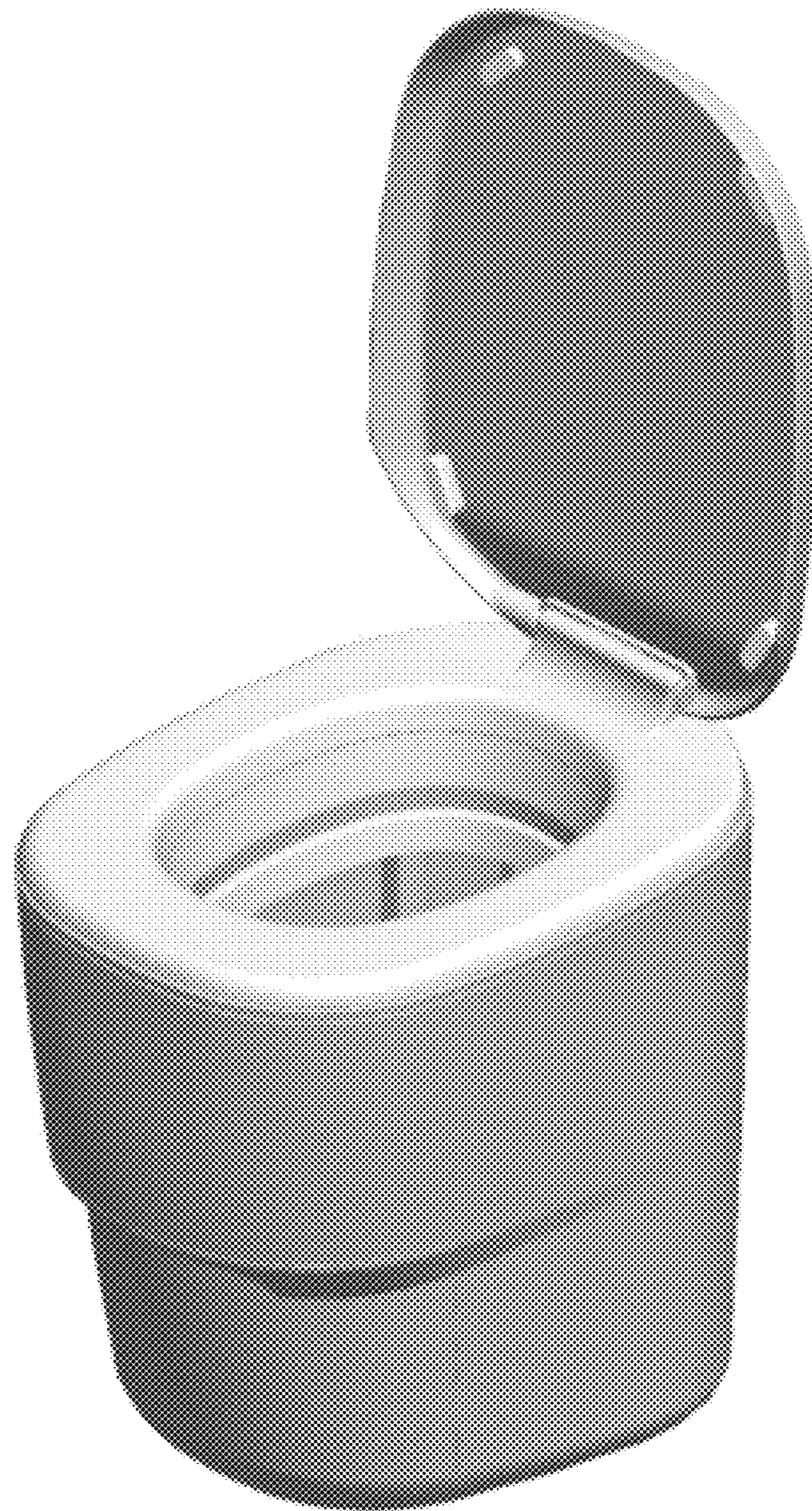




5.7

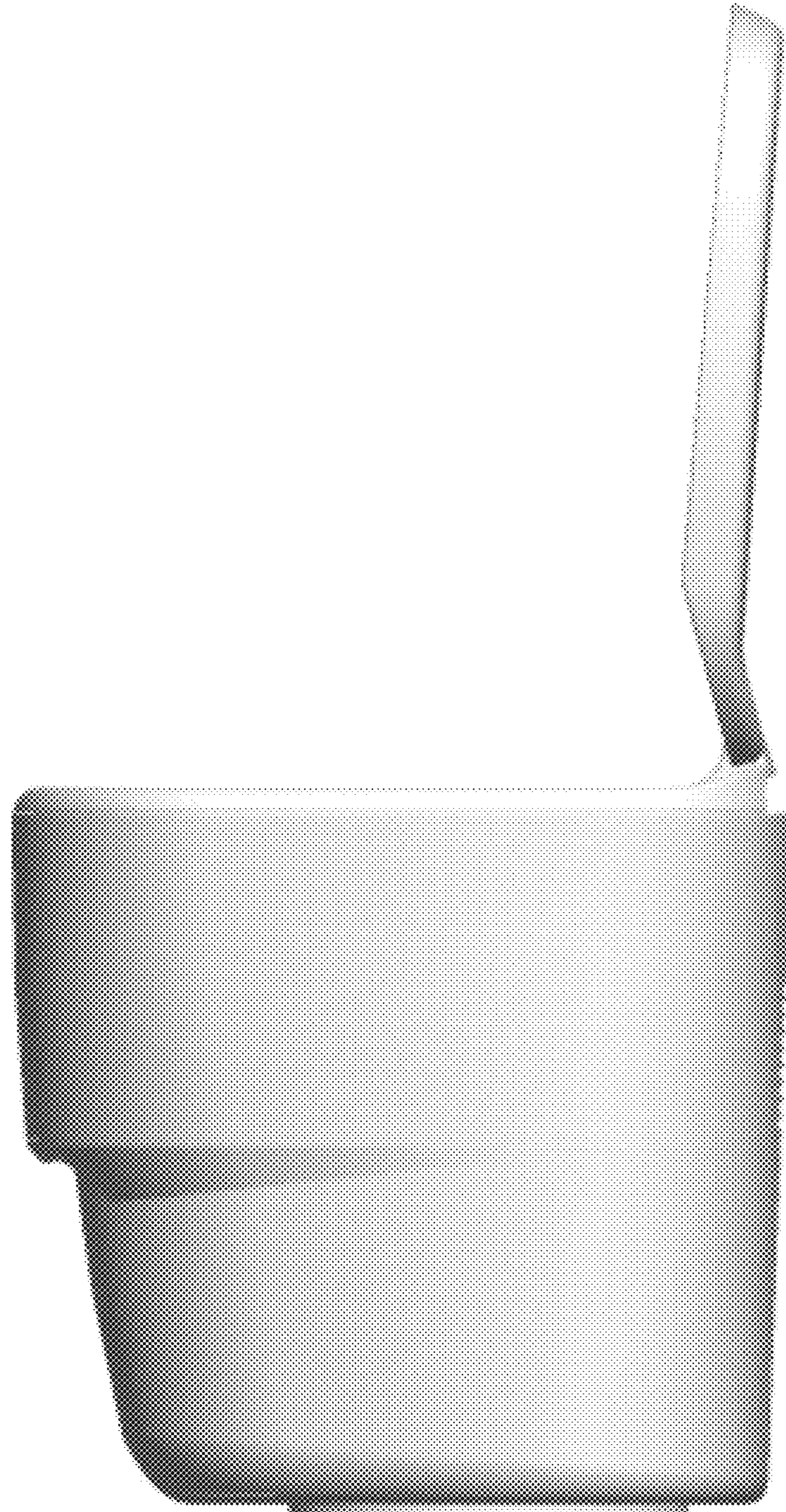


# 6.1

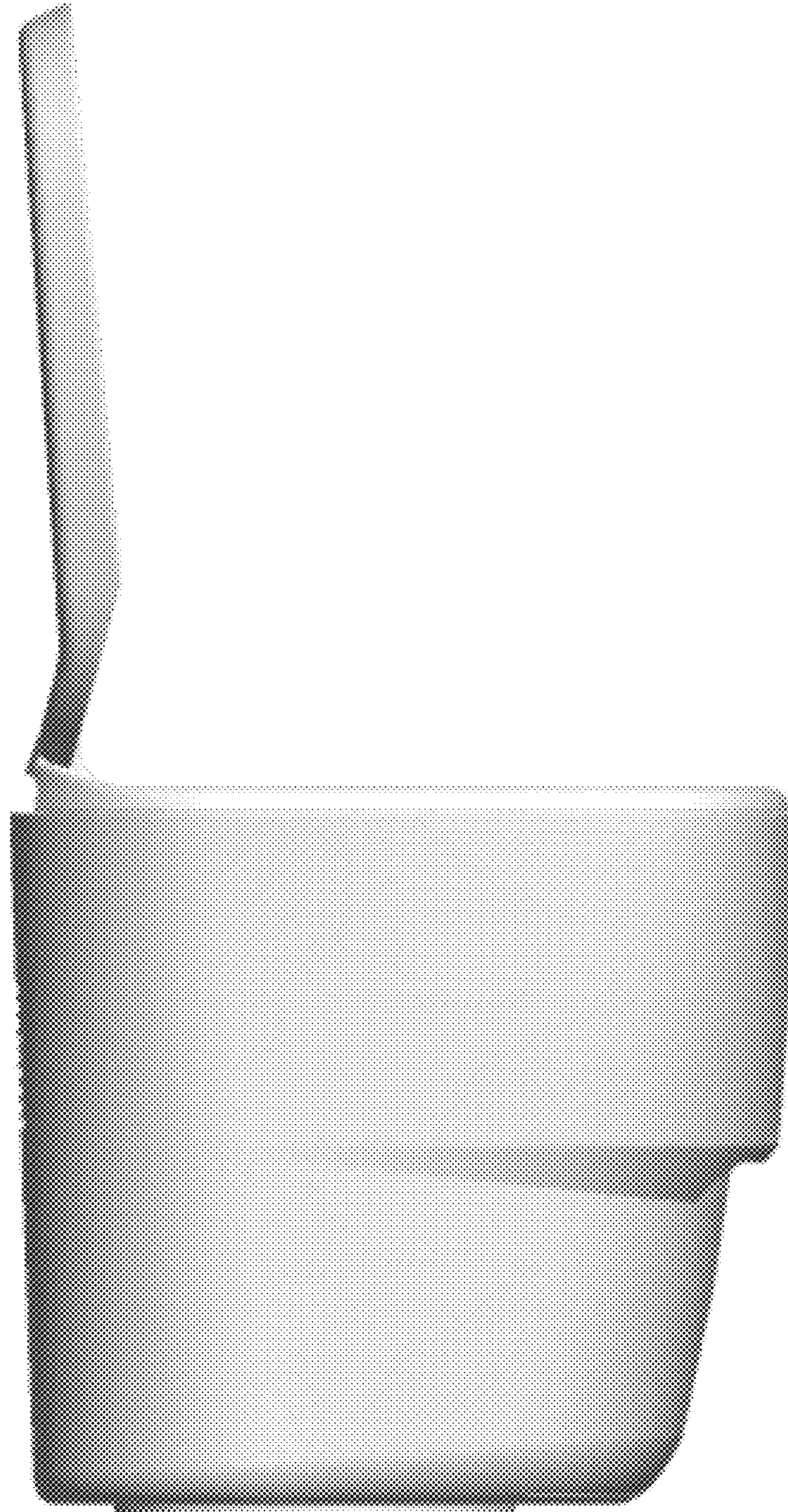




# 6.2



# 6.3

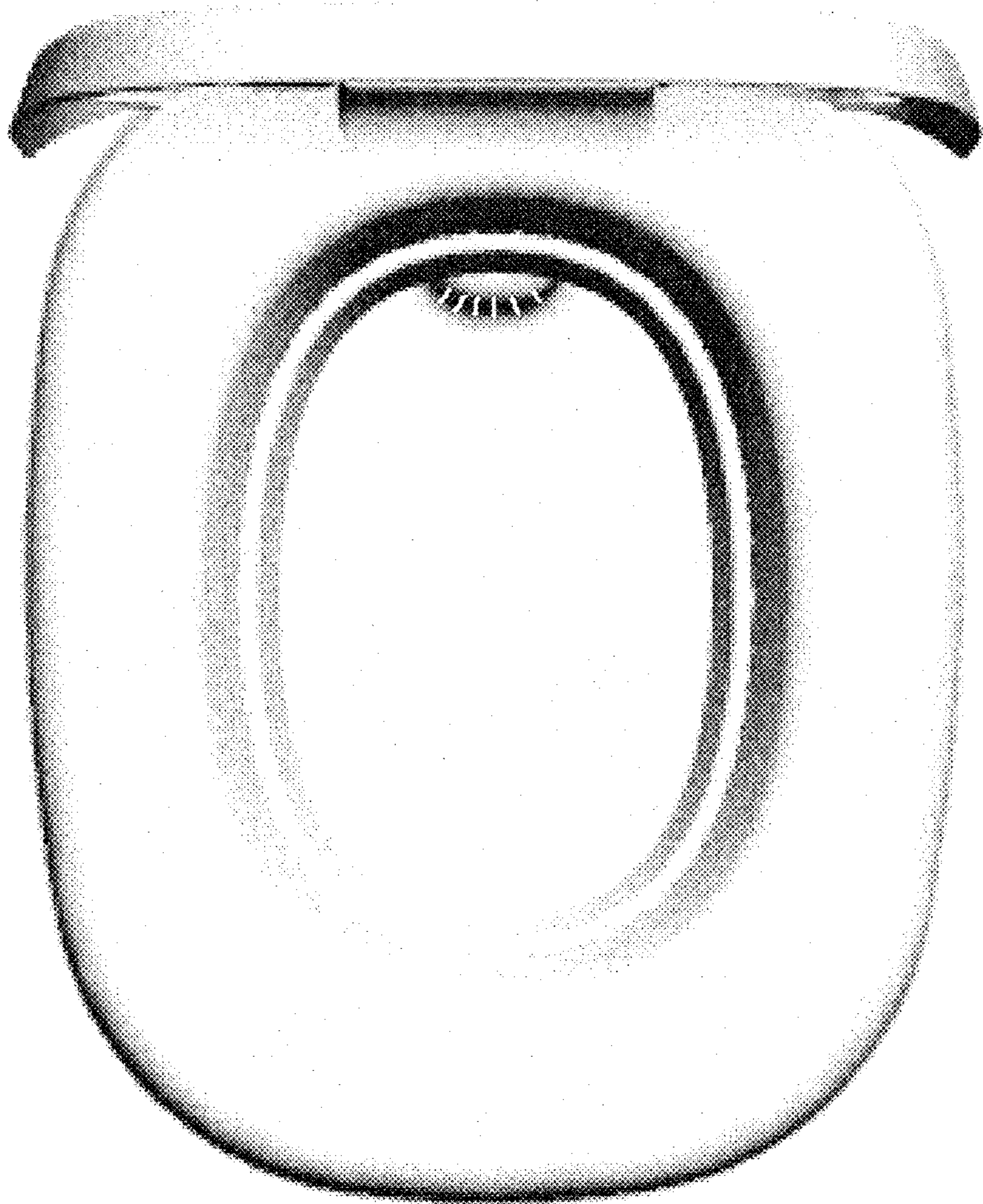




6.4

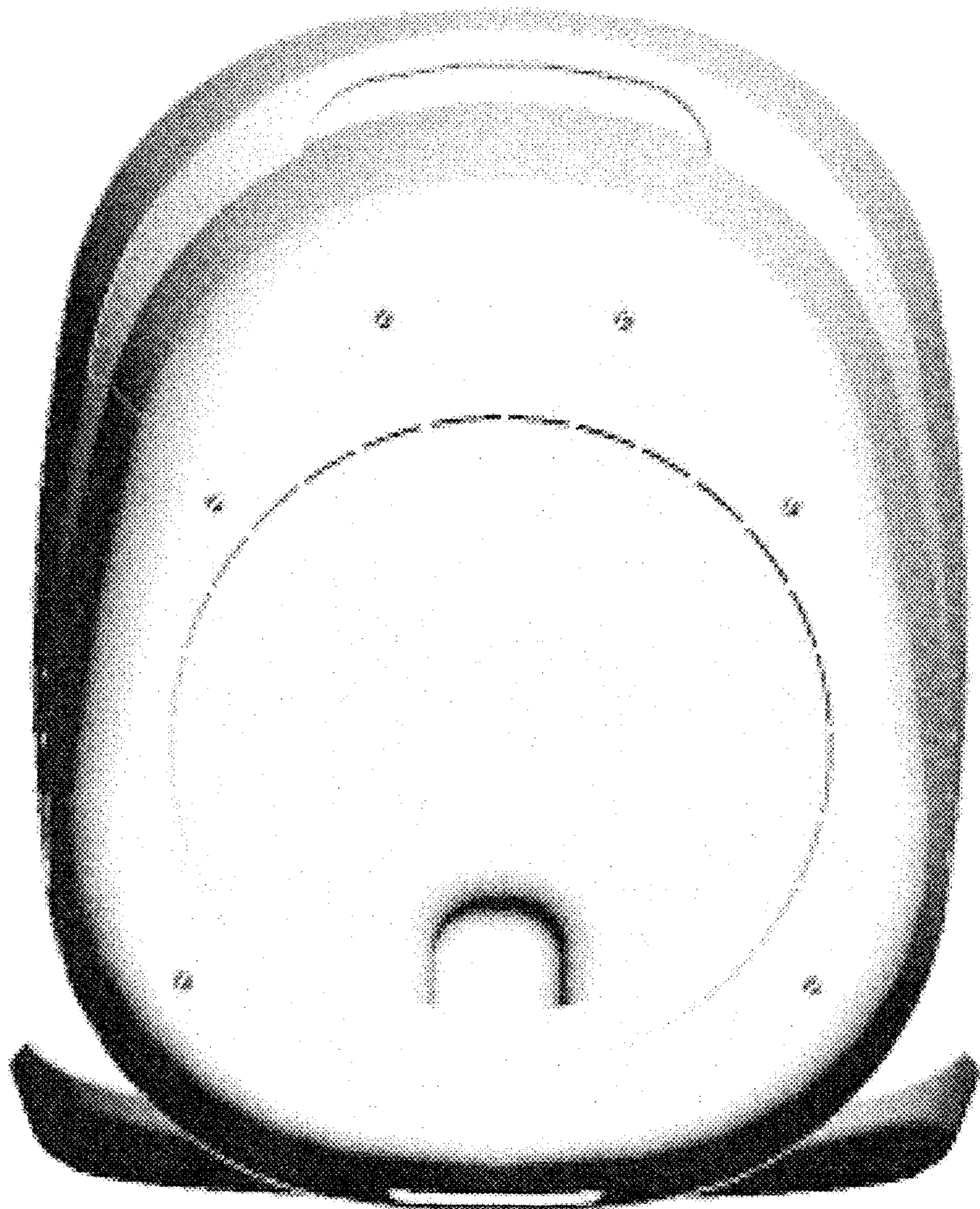


6.5



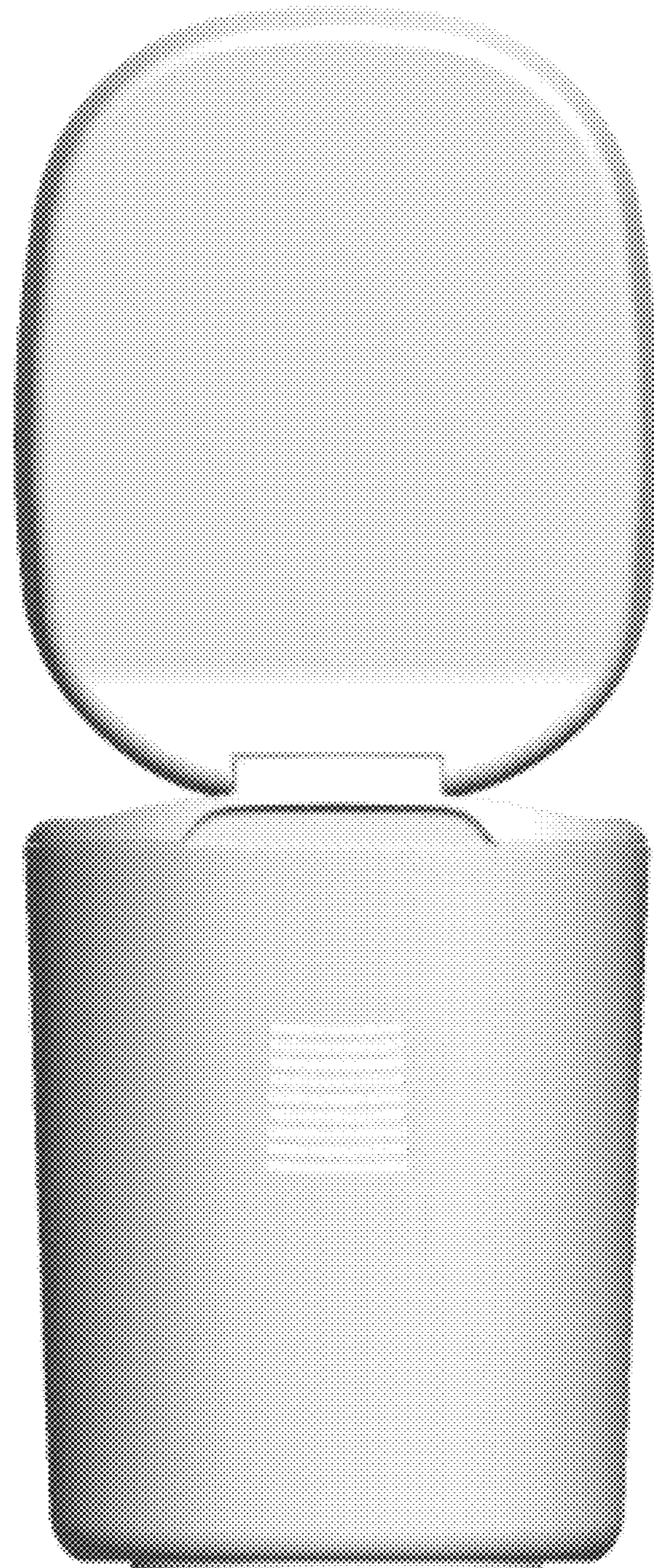


6.6



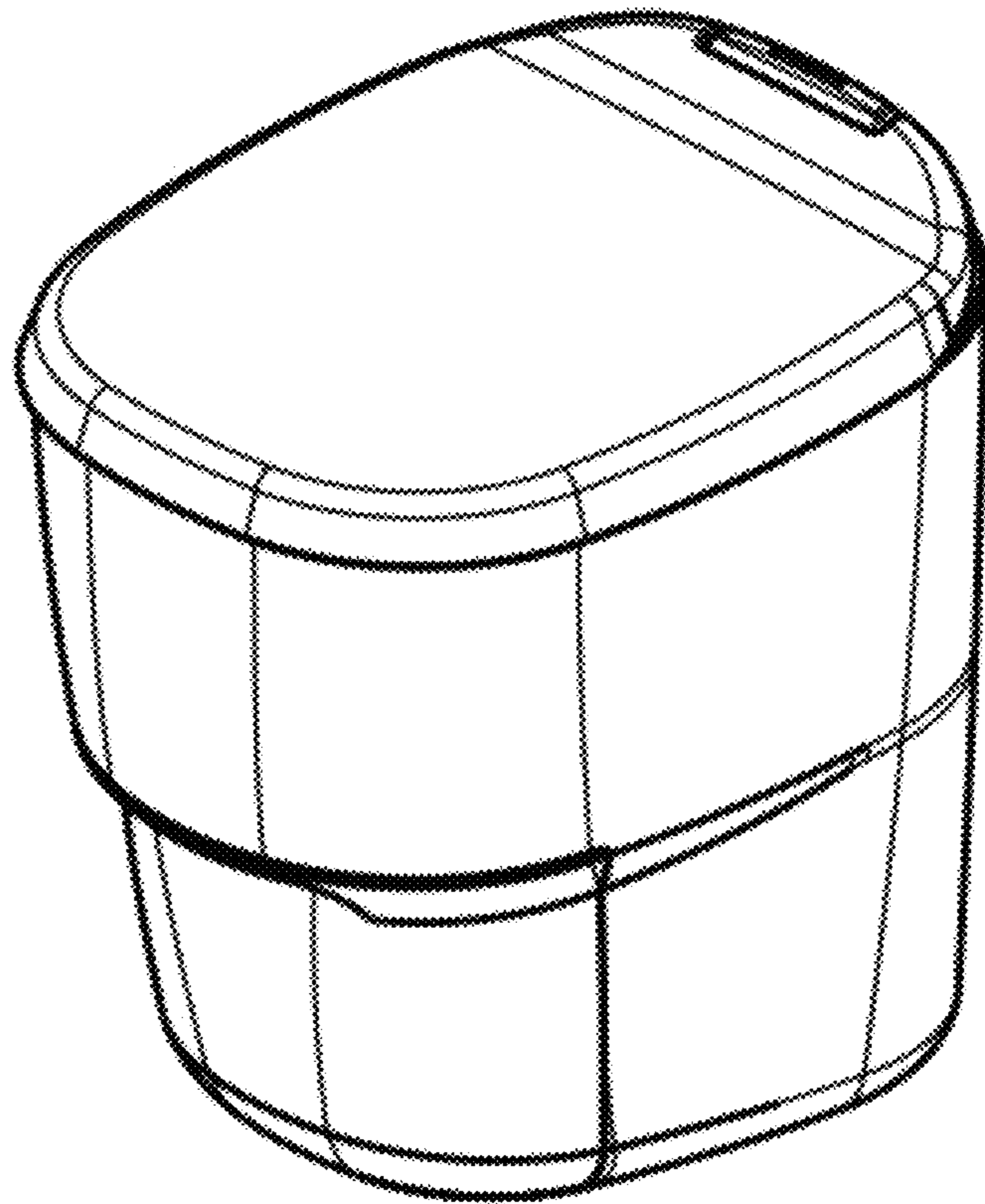


6.7

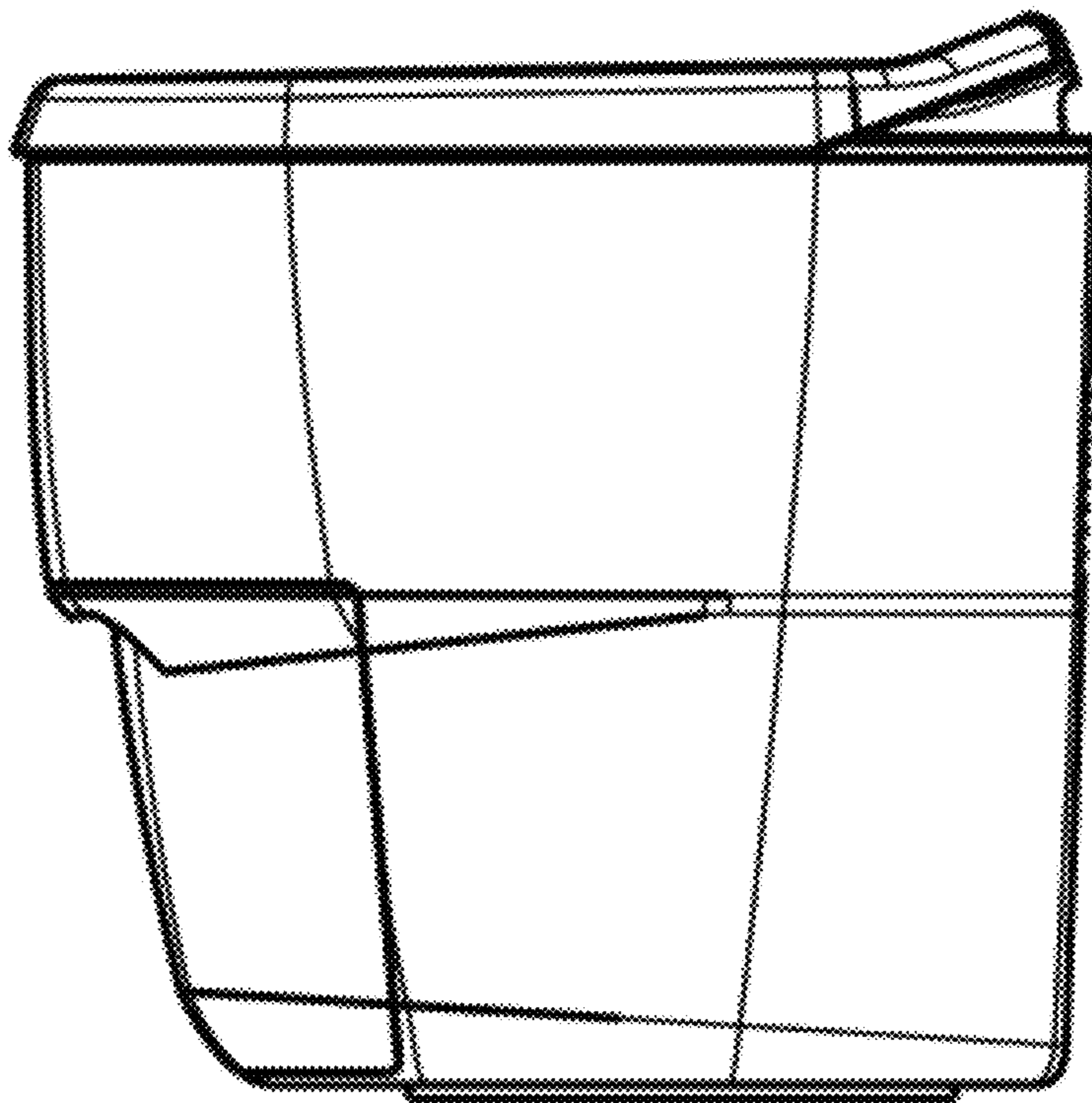




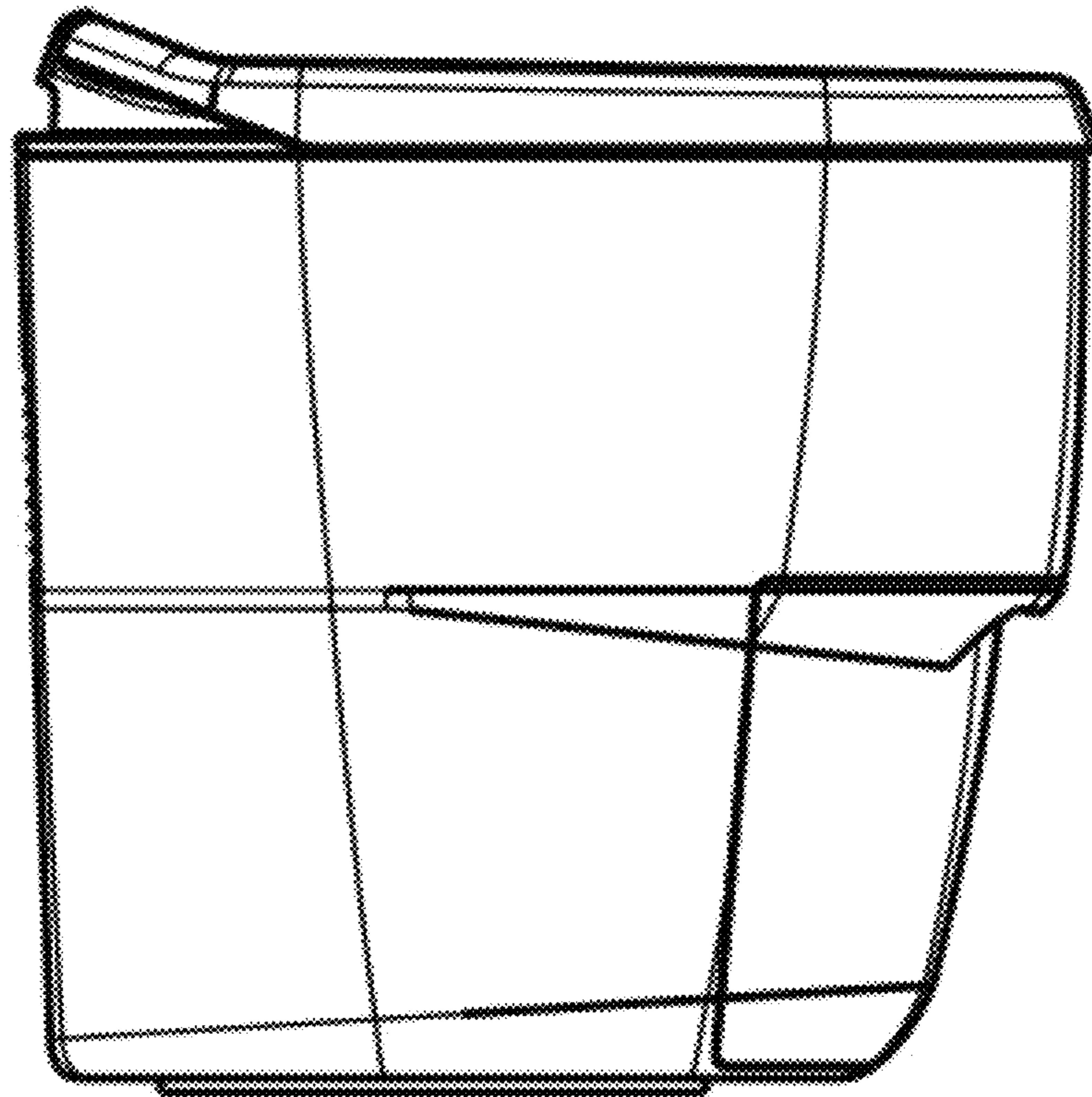
7.1



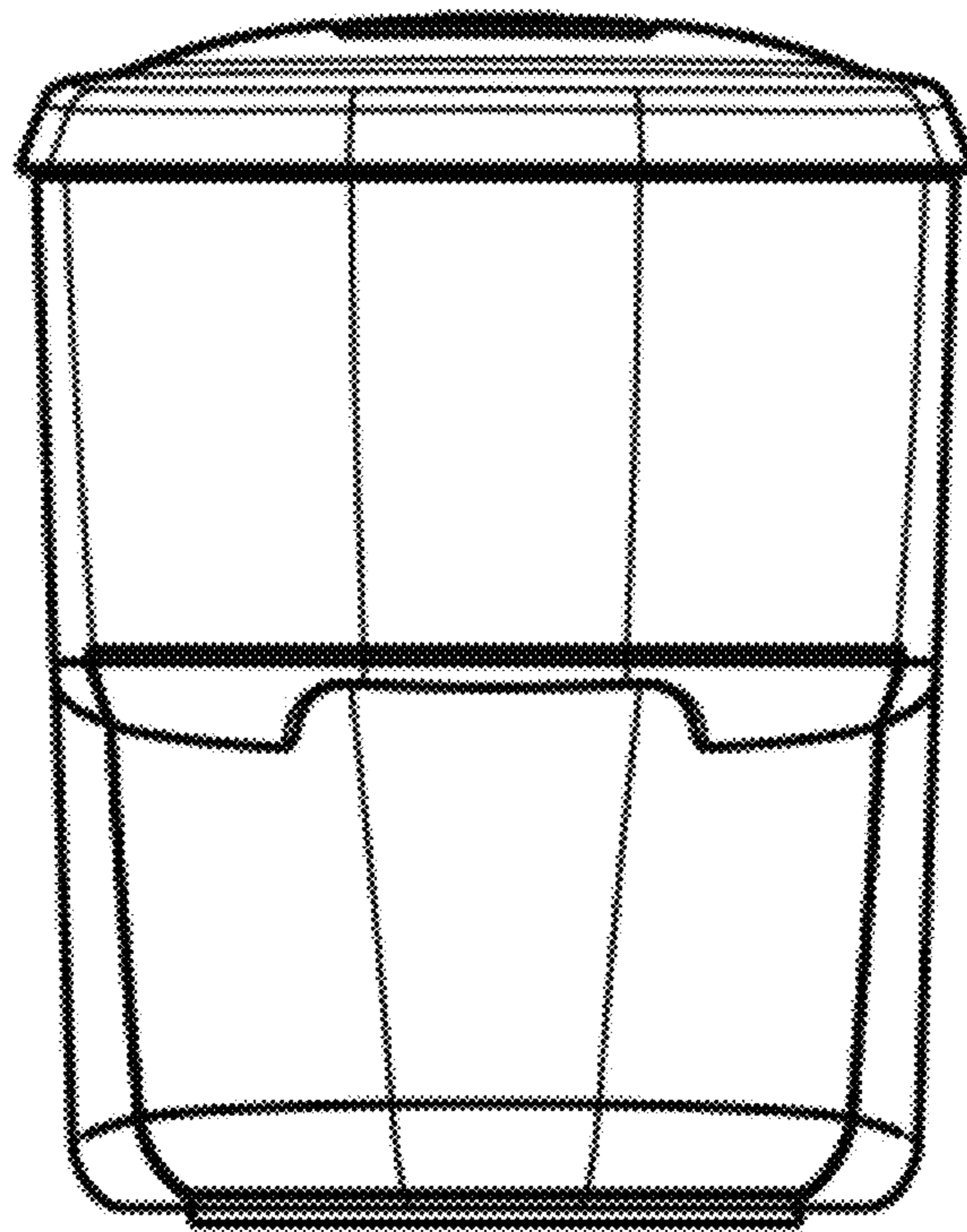
7.2



7.3

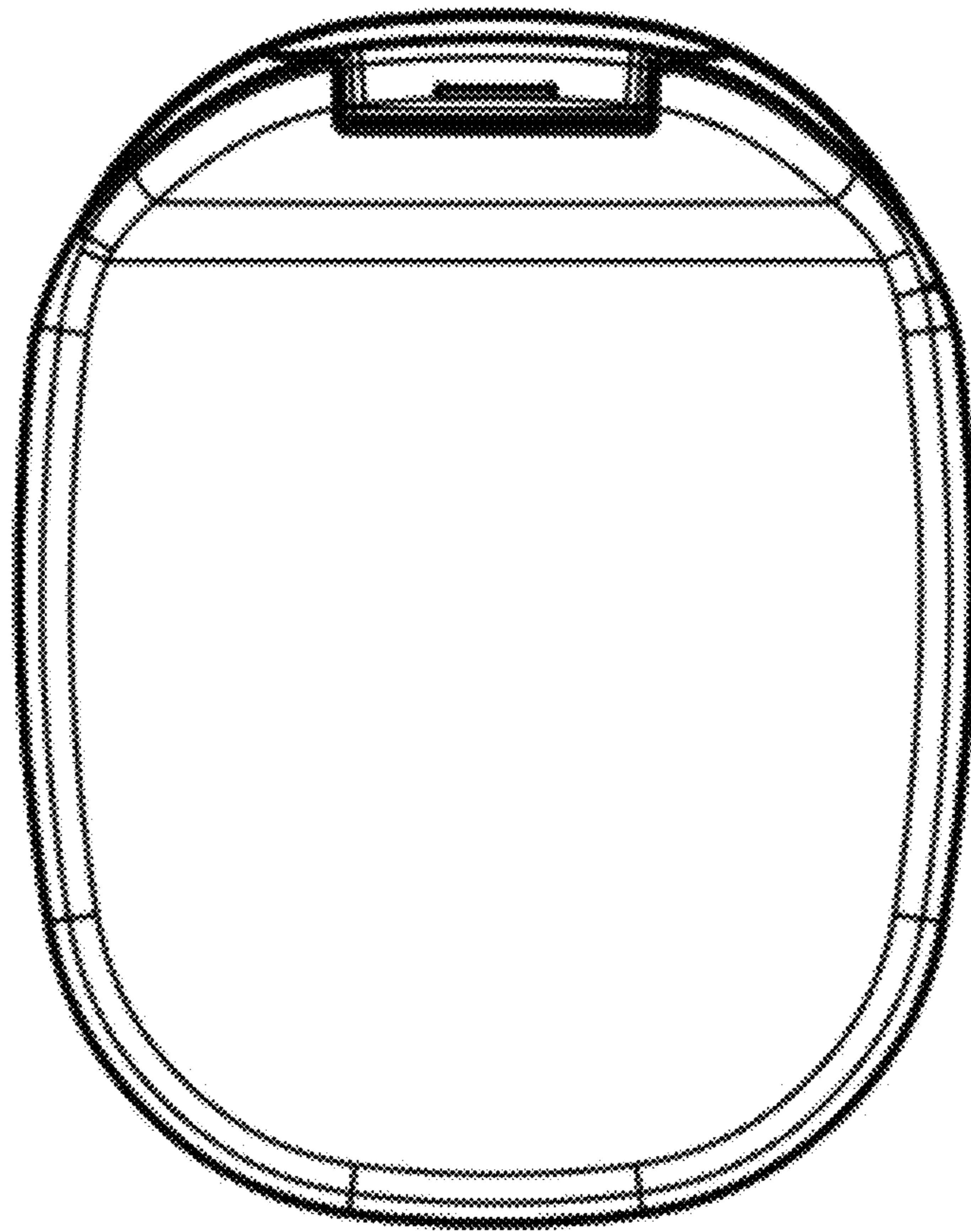


7.4

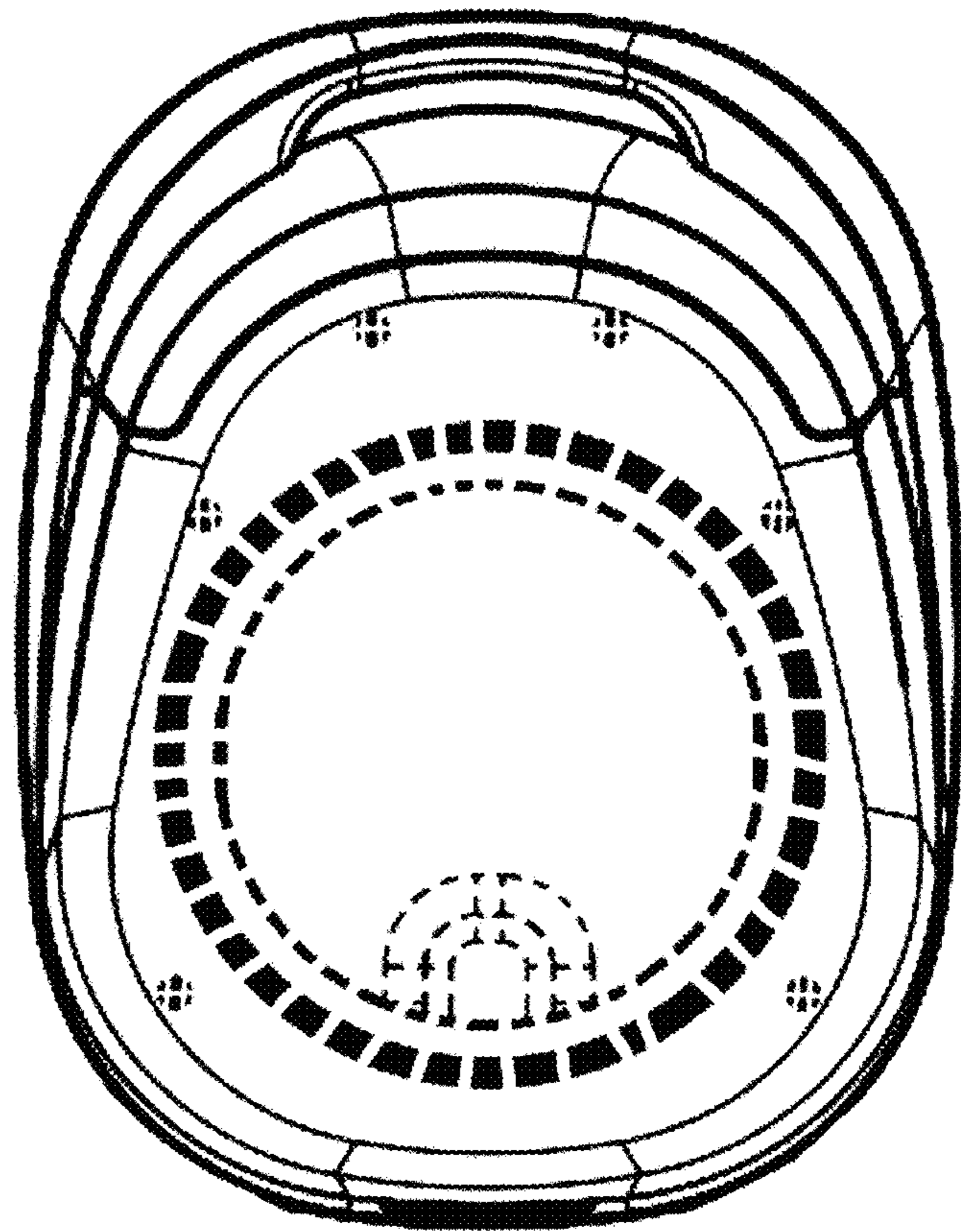




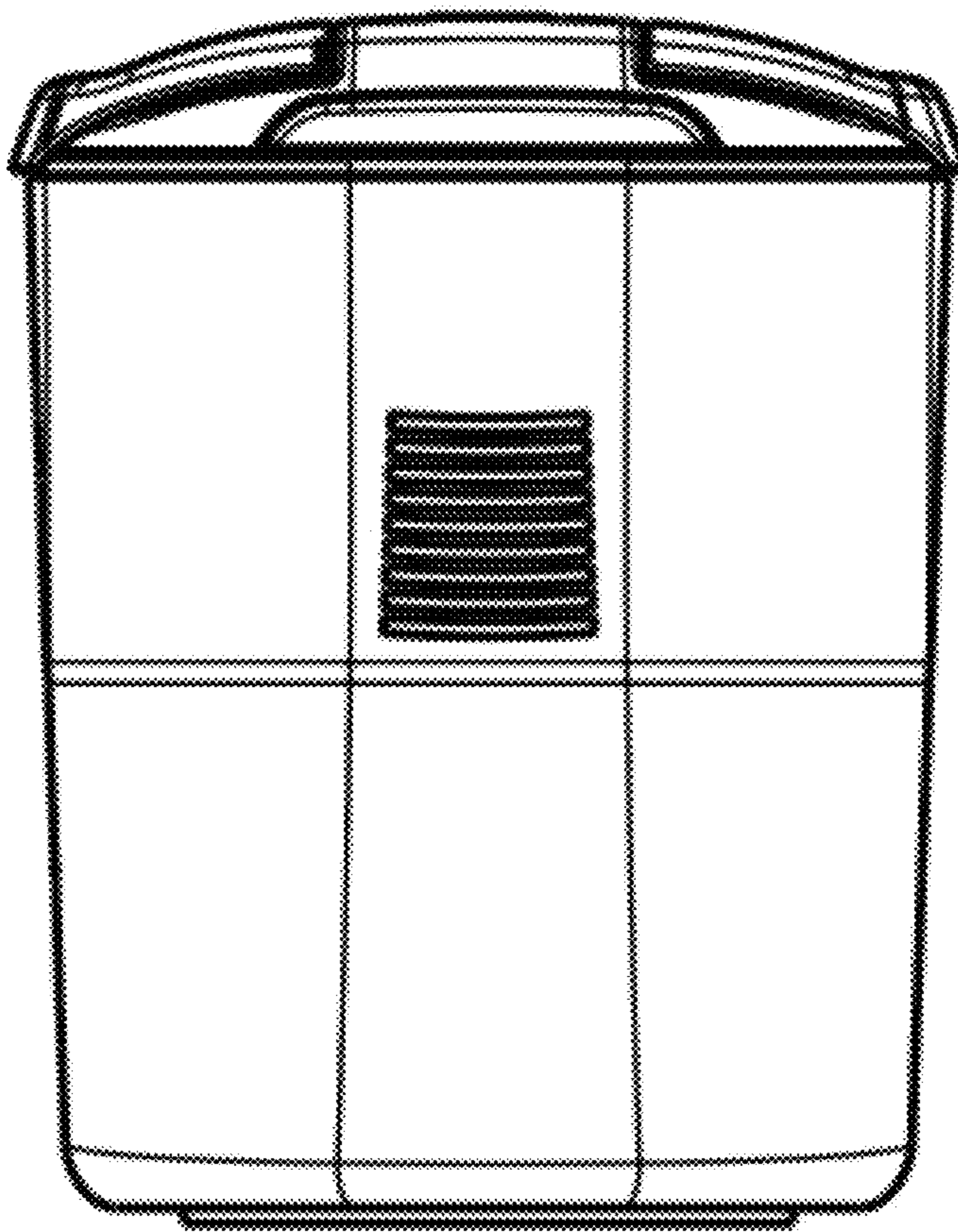
7.5



7.6



7.7





8.1





8.2



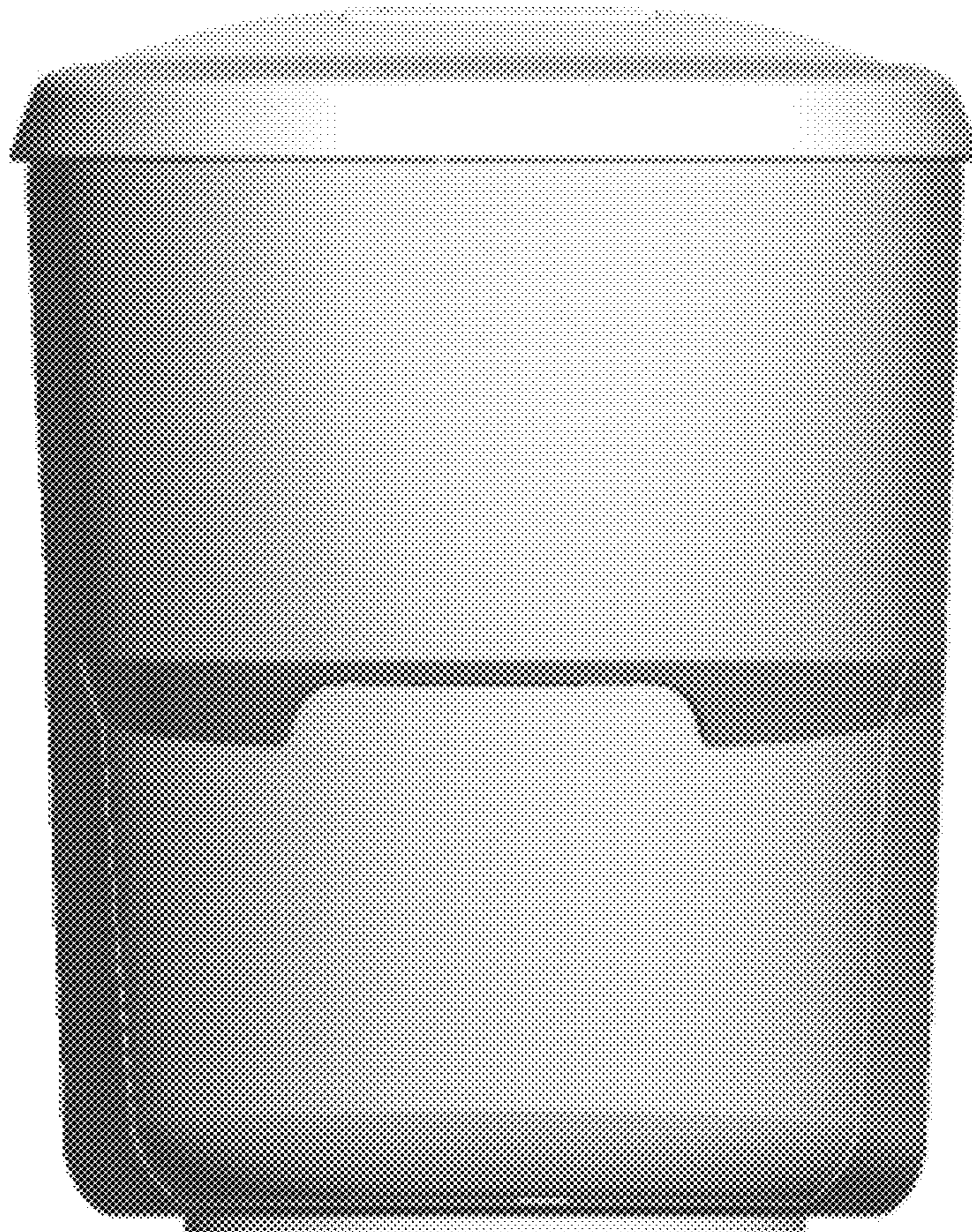


8.3





8.4





8.5



8.6





8.7

