



US00D942597S

(12) **United States Design Patent** (10) **Patent No.:** **US D942,597 S**
Miller (45) **Date of Patent:** **** Feb. 1, 2022**

(54) **SHAMPOO BOWL**

6,604,251 B2 8/2003 Minami
2020/0260915 A1* 8/2020 Rozilawati E03C 1/18
2020/0275762 A1* 9/2020 Miller A45D 19/08

(71) Applicant: **Matthew Miller**, Flowery Branch, GA
(US)

FOREIGN PATENT DOCUMENTS

(72) Inventor: **Matthew Miller**, Flowery Branch, GA
(US)

JP 2011161076 A 8/2011

(**) Term: **15 Years**

* cited by examiner

(21) Appl. No.: **29/703,908**

Primary Examiner — Robert A Delehanty
(74) *Attorney, Agent, or Firm* — Carmody Torrance
Sandak & Hennessey LLP

(22) Filed: **Aug. 30, 2019**

(51) **LOC (13) Cl.** **23-02**

(57) **CLAIM**

(52) **U.S. Cl.**
USPC **D23/289**

The ornamental design for a shampoo bowl, as shown and described.

(58) **Field of Classification Search**
USPC D23/271, 284, 285, 286, 289, 293.1, 308
See application file for complete search history.

DESCRIPTION

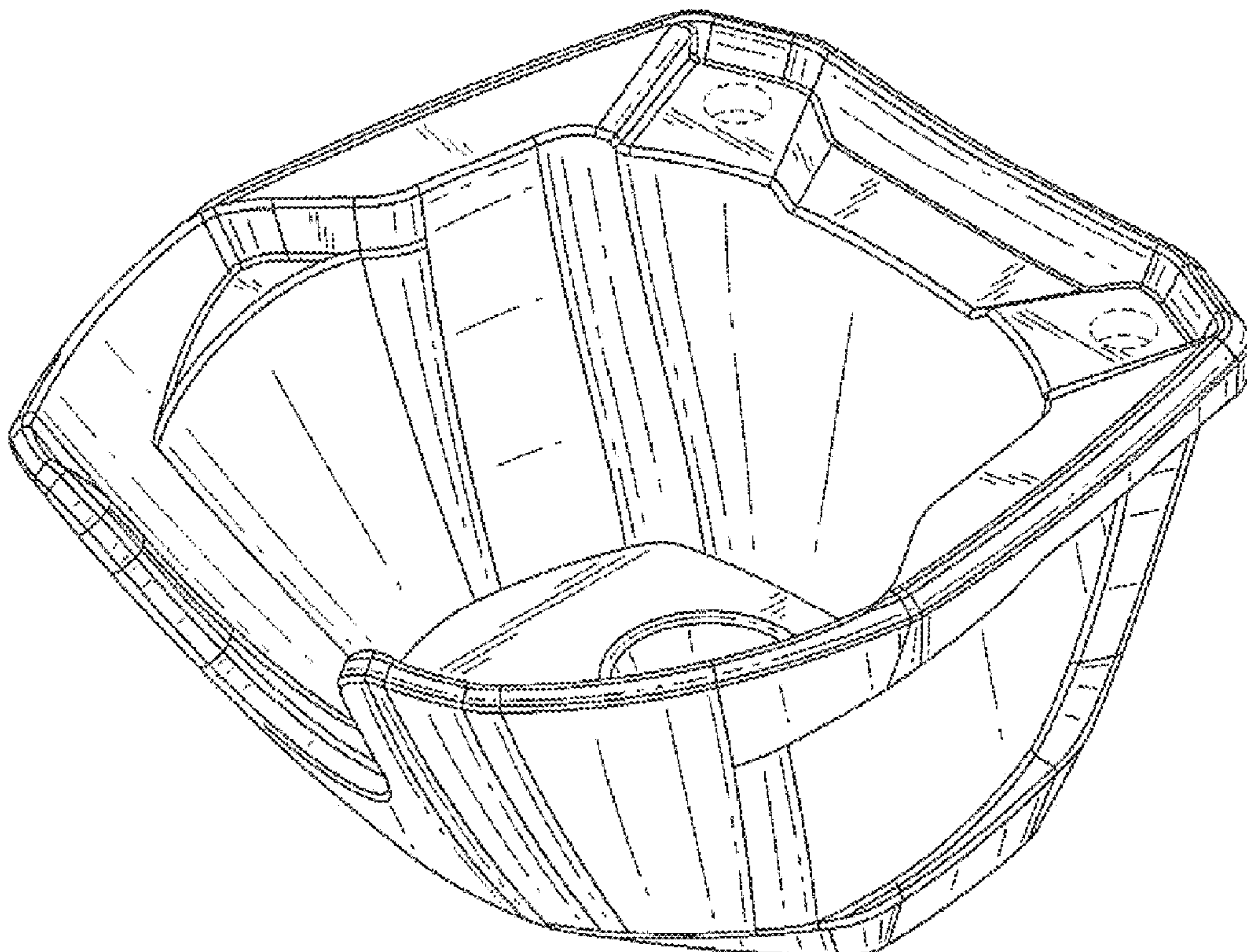
(56) **References Cited**

U.S. PATENT DOCUMENTS

D93,105 S 8/1934 Hudson
D174,042 S * 2/1955 Kiefer D23/289
3,190,502 A * 6/1965 Knibb A45D 19/00
222/146.5
3,906,962 A 9/1975 Strickland et al.
4,196,478 A 4/1980 Cowell
4,821,347 A 4/1989 Nash
D332,828 S * 1/1993 Schaerrer D23/289
5,946,745 A 9/1999 Magee
6,016,578 A * 1/2000 Malouf E03C 1/18
4/619

FIG. 1 is a first perspective view of a shampoo bowl showing my new design;
FIG. 2 is a second perspective view of the shampoo bowl of FIG. 1 showing my new design;
FIG. 3 is a front view thereof;
FIG. 4 is a back view thereof;
FIG. 5 is a first side view of the shampoo bowl of FIG. 1, the second side view being identical and a mirror image thereof;
FIG. 6 is a top view thereof; and,
FIG. 7 is a bottom view thereof.
The dotted lines are intended to show features that are environmental only and form no part of the claimed design.

1 Claim, 4 Drawing Sheets



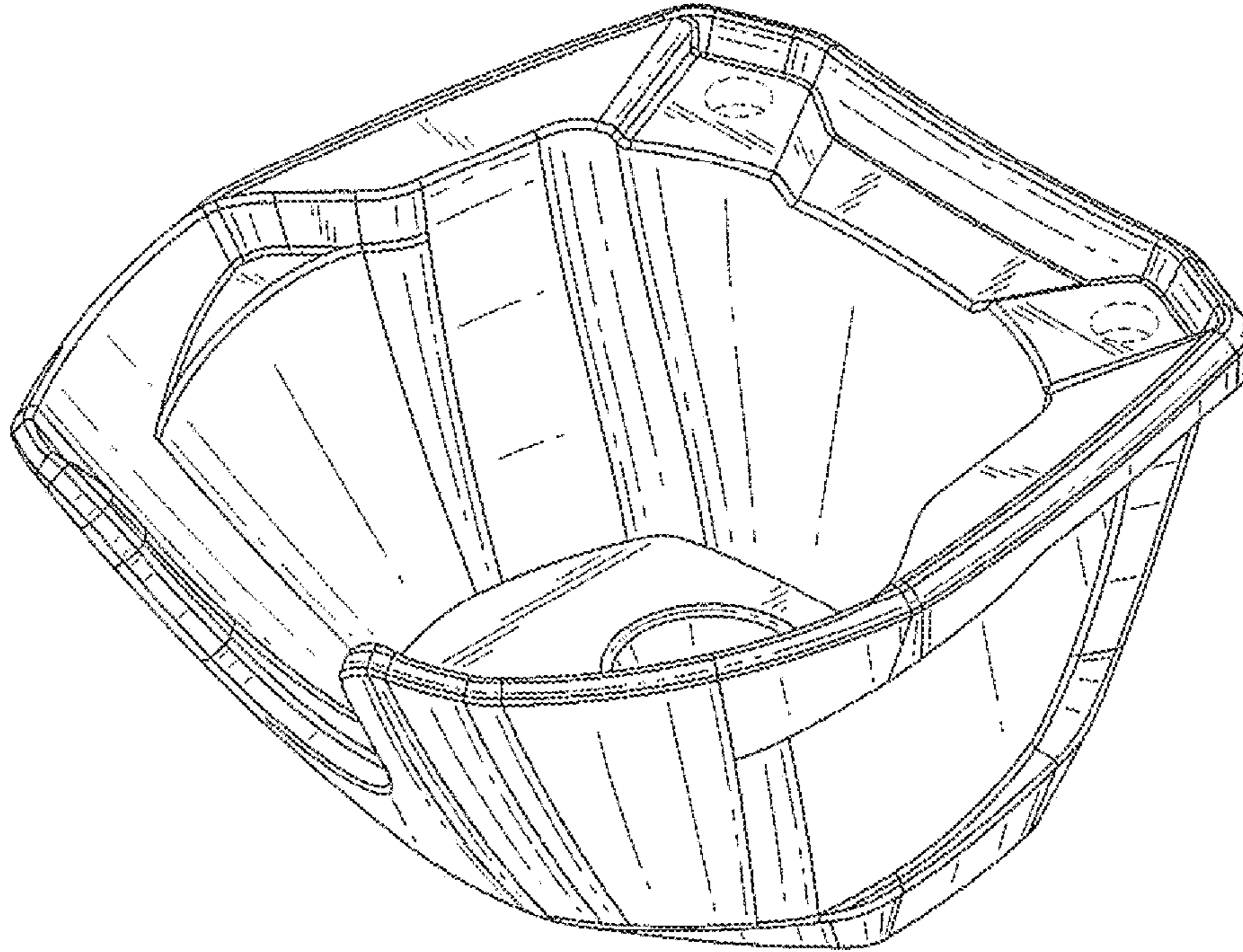


FIG. 1

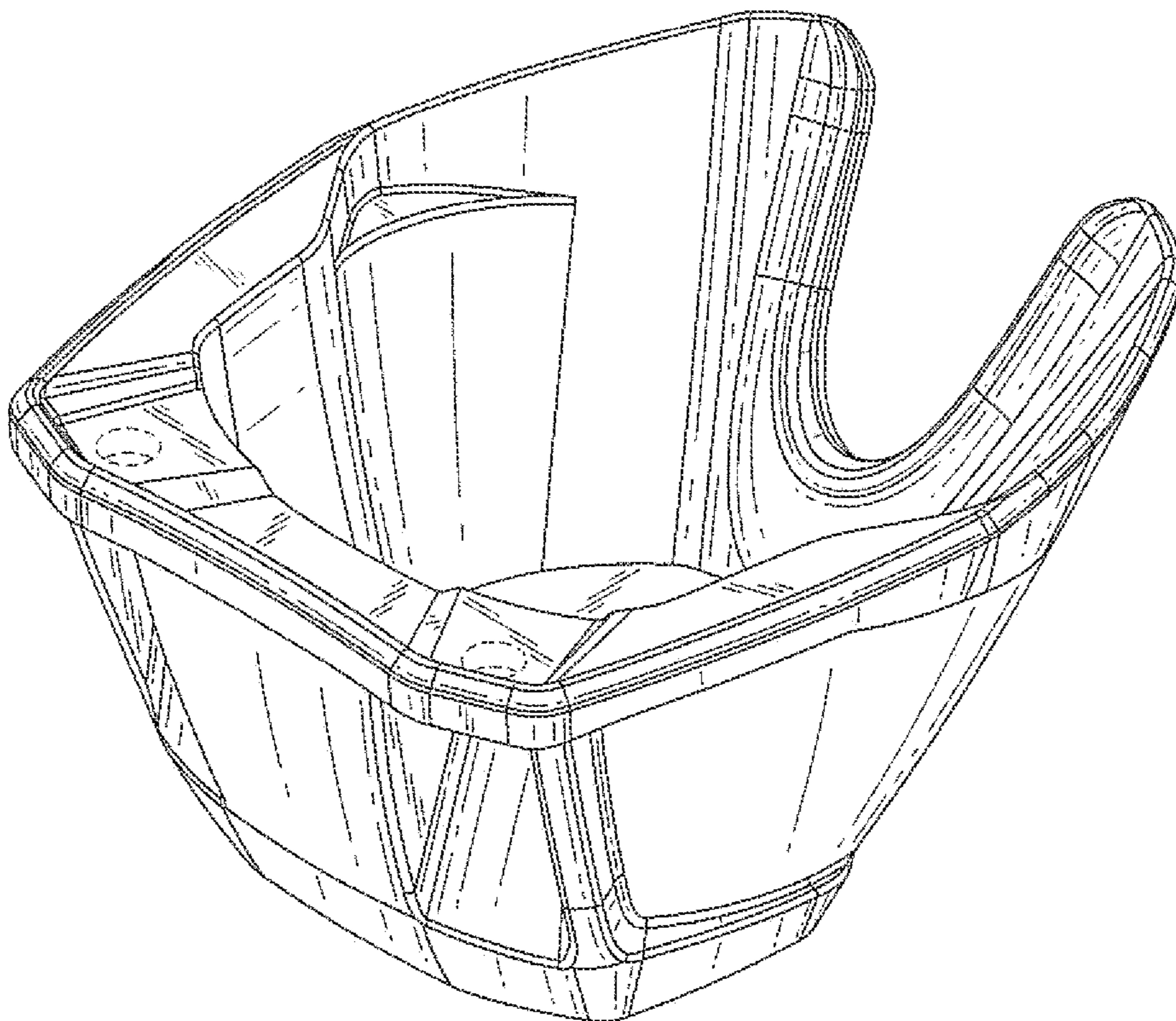


FIG. 2

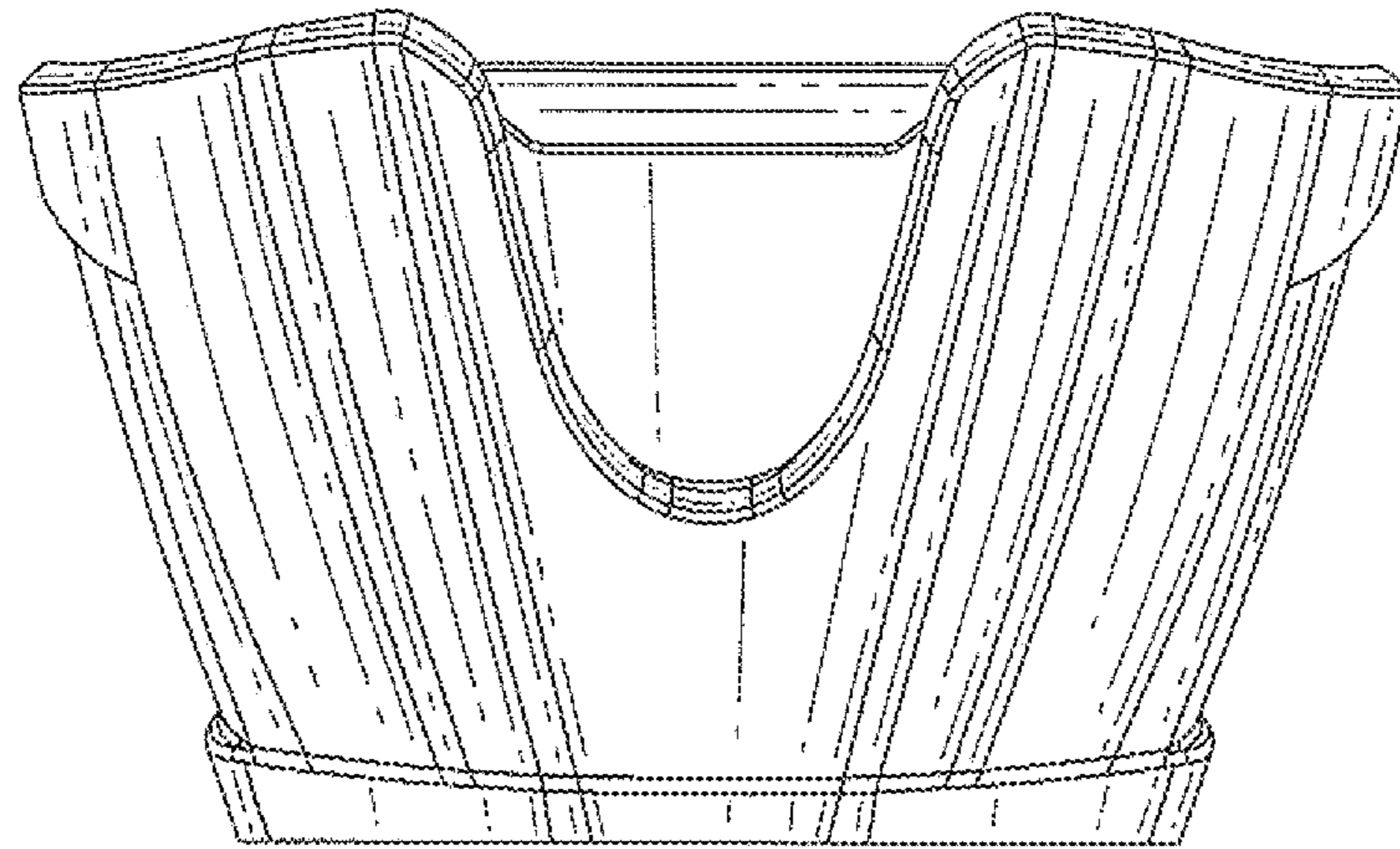


FIG. 3

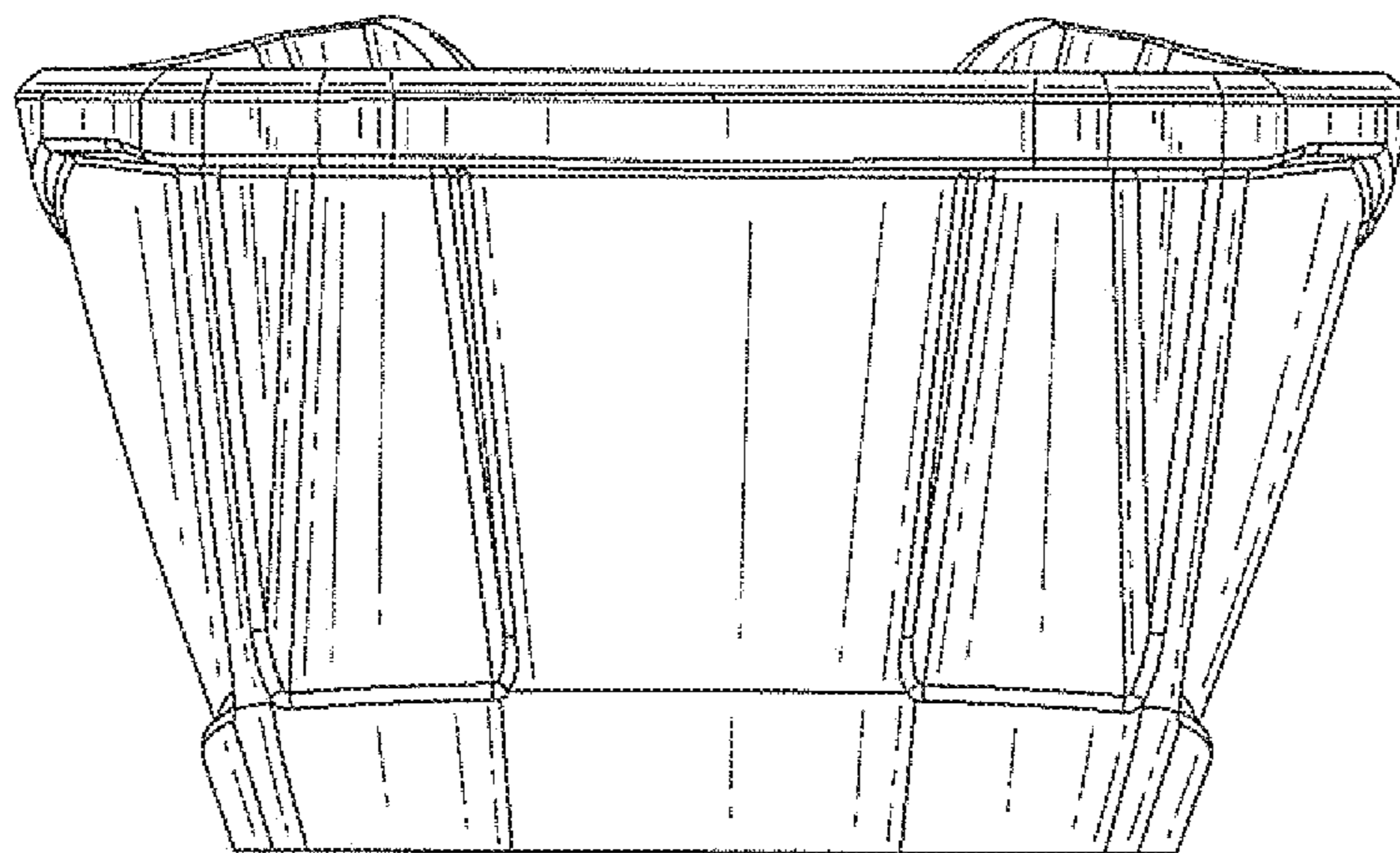


FIG. 4

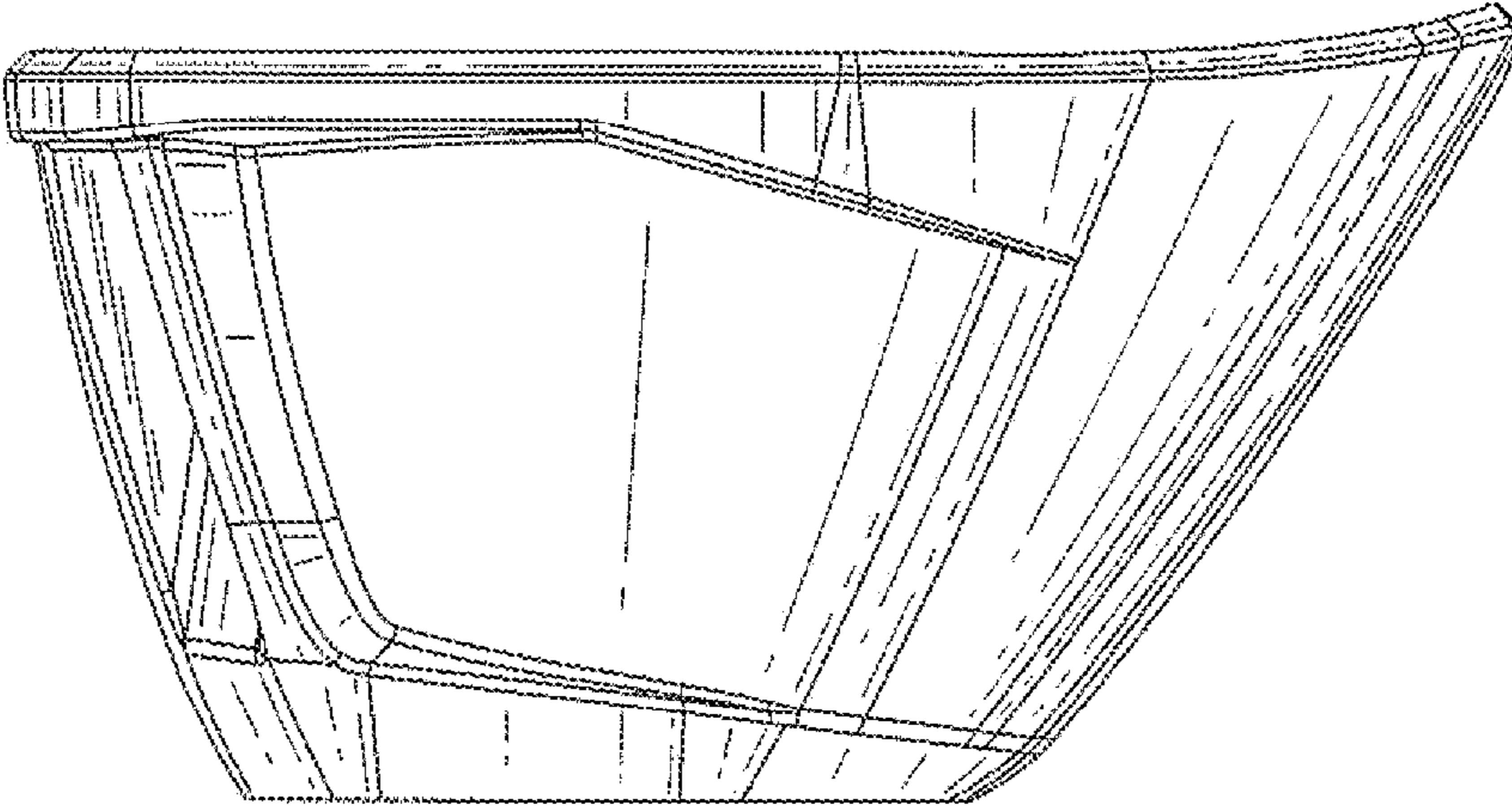


FIG. 5

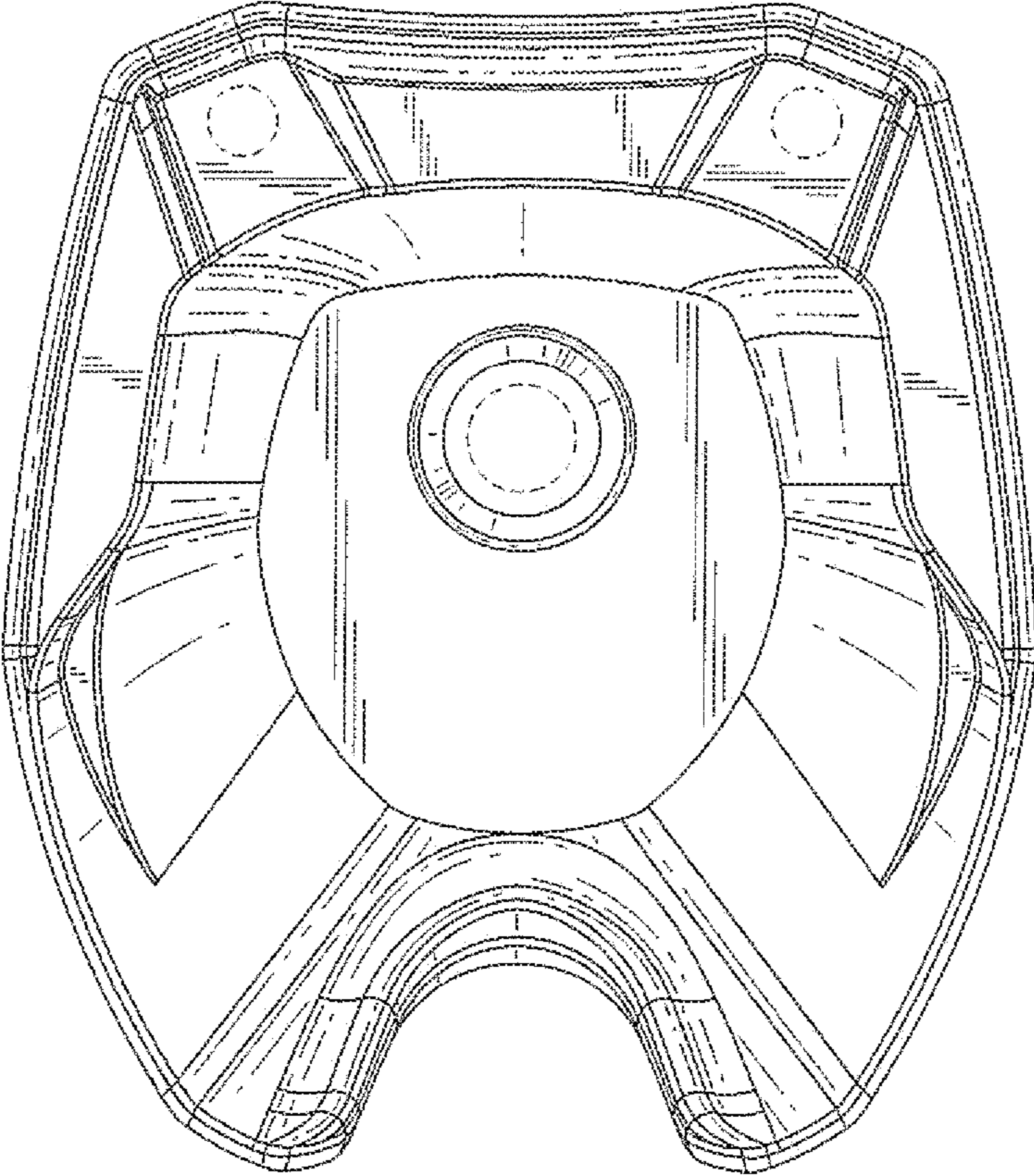


FIG. 6

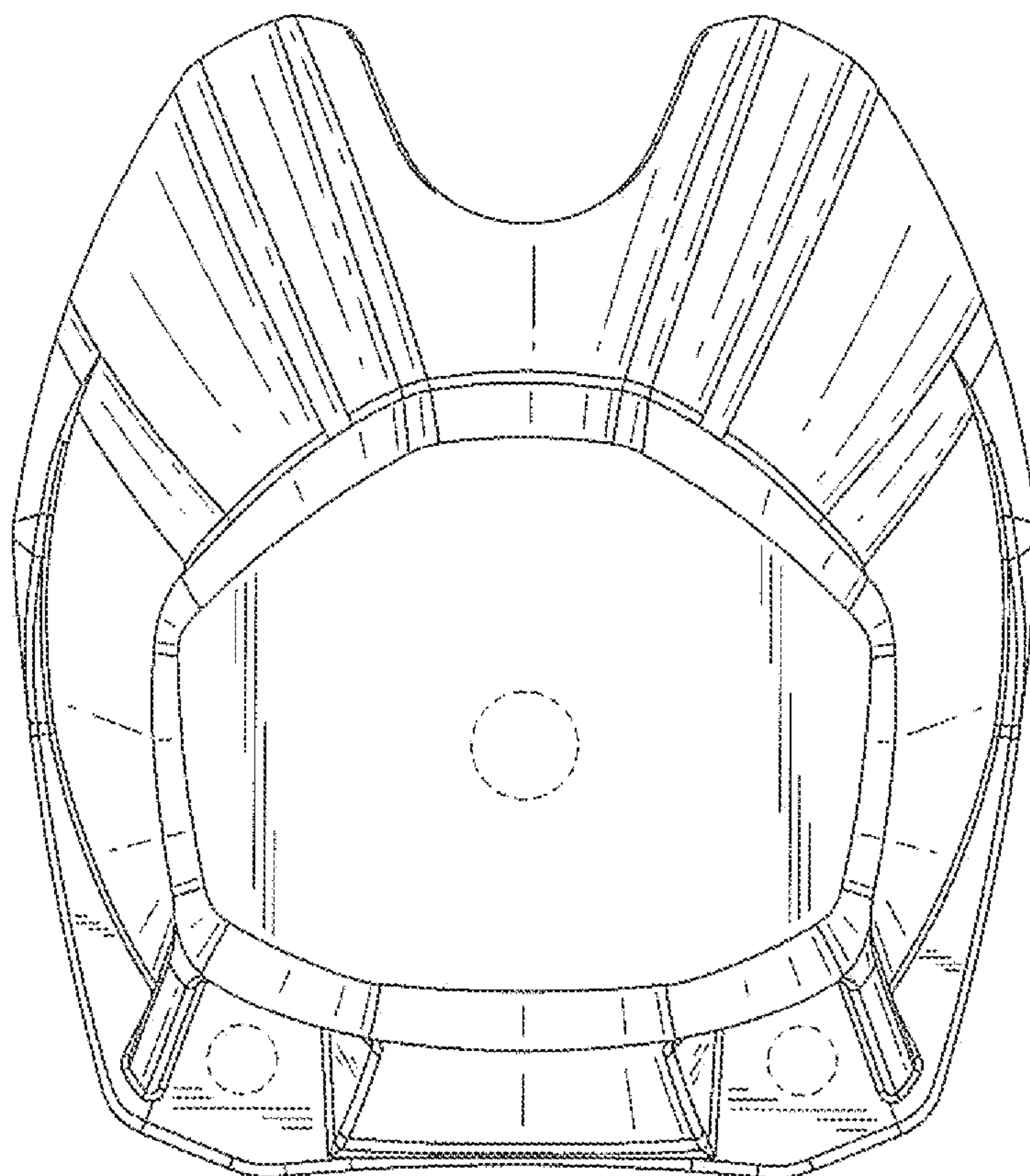


FIG. 7