

US00D942593S

(12) **United States Design Patent**  
**Smerdon**

(10) **Patent No.:** **US D942,593 S**

(45) **Date of Patent:** **\*\* Feb. 1, 2022**

(54) **PIPE FITTING**

(71) Applicant: **Everhard Industries Pty Ltd**, Geebung (AU)

(72) Inventor: **Kevin Smerdon**, Geebung (AU)

(73) Assignee: **Everhard Industries Pty Ltd**, Queensland (AU)

(\*\*) Term: **15 Years**

(21) Appl. No.: **29/732,825**

(22) Filed: **Apr. 28, 2020**

(30) **Foreign Application Priority Data**

Nov. 13, 2019 (AU) ..... 201916456

(51) **LOC (13) Cl.** ..... **23-01**

(52) **U.S. Cl.**  
USPC ..... **D23/259**

(58) **Field of Classification Search**  
USPC ..... D23/233, 249, 259, 262, 263-266, 393;  
D32/31; 285/5, 7, 272-273, 127.1, 133.4,  
285/148.22, 190, 239, 334.5; 251/148;  
138/DIG. 4

CPC . F16L 57/07; F16L 3/003; F16L 25/14; F16L  
43/00; F16L 9/18

See application file for complete search history.

(56) **References Cited**

**U.S. PATENT DOCUMENTS**

D267,505 S \* 1/1983 Ryan ..... D23/262  
D275,984 S \* 10/1984 Shaw ..... D12/197  
5,149,144 A \* 9/1992 Blakeley ..... A62C 35/68  
285/197  
D332,653 S \* 1/1993 Ryan ..... D23/262

D561,304 S \* 2/2008 Vansell ..... D23/262  
D599,894 S \* 9/2009 Price ..... D23/262  
D710,485 S \* 8/2014 Nudo ..... D23/262  
D745,116 S \* 12/2015 Lehmann ..... D23/262  
D749,702 S \* 2/2016 Rohn ..... D23/259  
D755,939 S \* 5/2016 Salser, Jr. .... D23/262  
D756,494 S \* 5/2016 Gledhill ..... D23/262  
D777,300 S \* 1/2017 Grant ..... D23/262  
D803,362 S \* 11/2017 Feros ..... D23/262  
D803,994 S \* 11/2017 Sekine ..... D23/262  
D833,581 S \* 11/2018 Atwell ..... D23/259  
D851,269 S \* 6/2019 McGregor ..... D24/206  
2010/0061805 A1 \* 3/2010 Nourian ..... E03F 3/046  
405/36

\* cited by examiner

*Primary Examiner* — Amy C Wierenga

(74) *Attorney, Agent, or Firm* — Edell, Shapiro & Finnan, LLC

(57) **CLAIM**

The ornamental design for a pipe fitting, as shown and described.

**DESCRIPTION**

FIG. 1 is a top perspective view of the pipe fitting according to the present invention;

FIG. 2 is a bottom perspective view of the pipe fitting of FIG. 1;

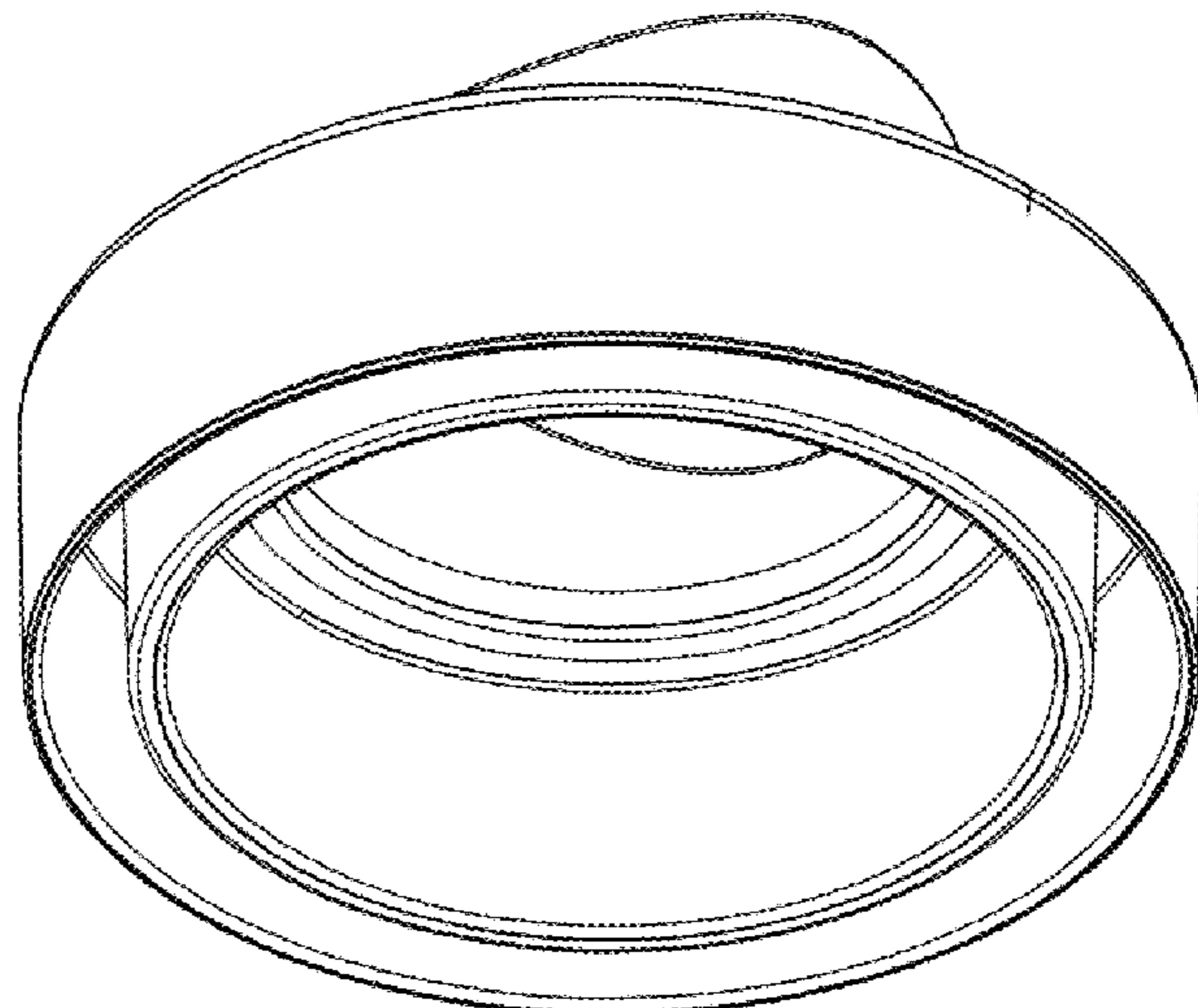
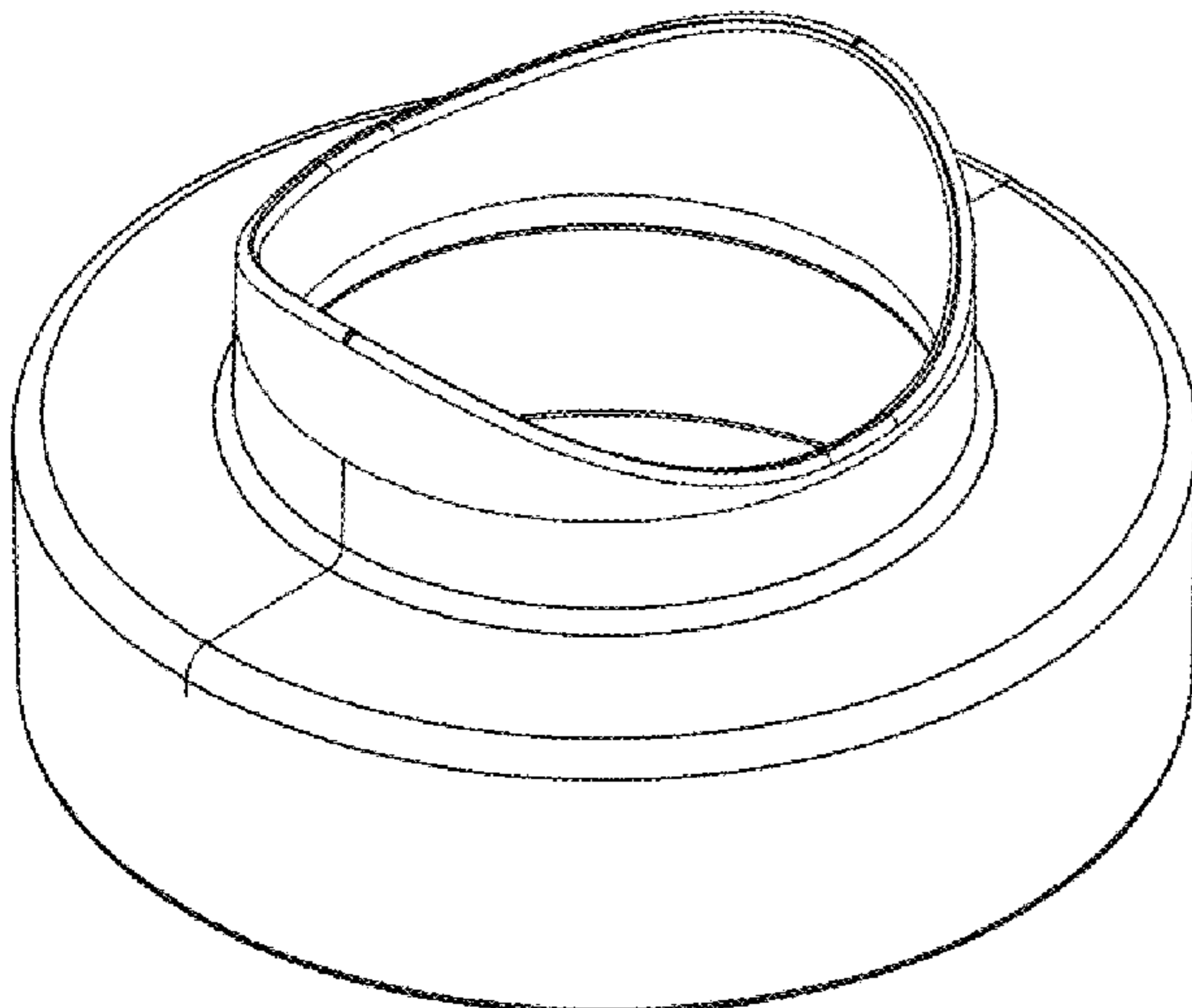
FIG. 3 is a front view of the pipe fitting of FIG. 1;

FIG. 4 is a right side view of the pipe fitting of FIG. 1, where the left side view (not shown) is a mirror of the right side view;

FIG. 5 is a top view of the pipe fitting of FIG. 1; and,

FIG. 6 is a bottom view of the pipe fitting of FIG. 1.

**1 Claim, 2 Drawing Sheets**



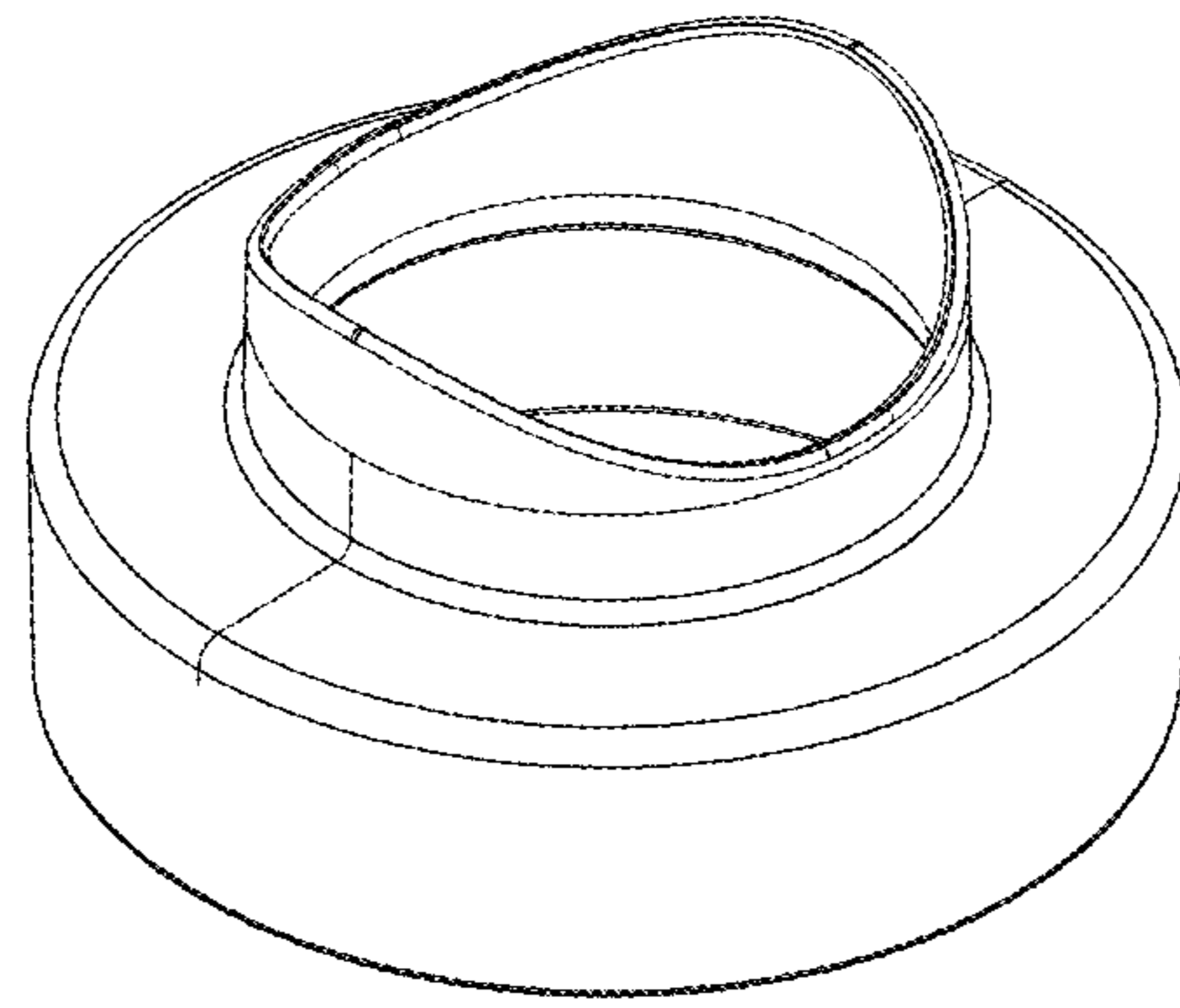


FIG.1

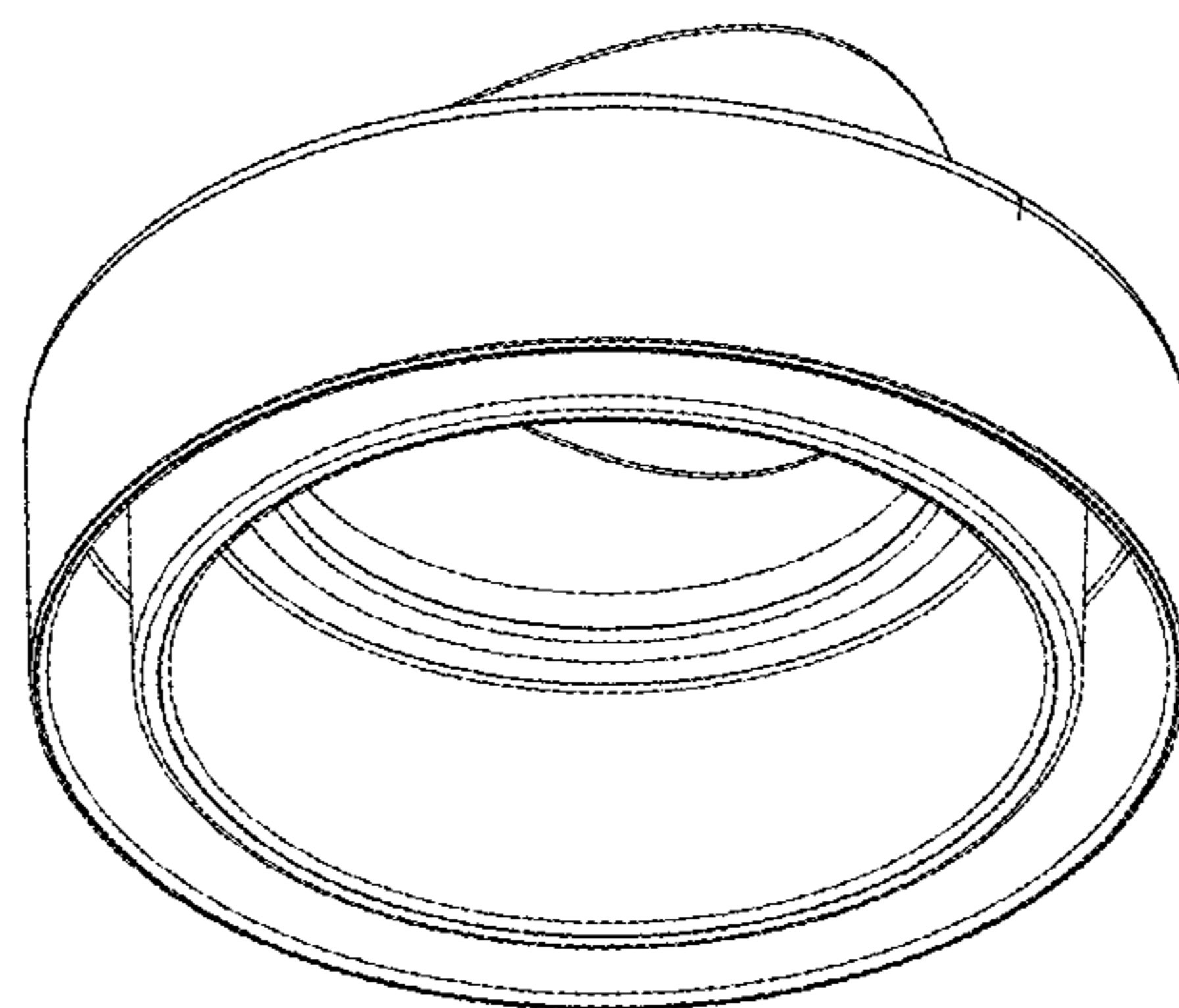


FIG.2

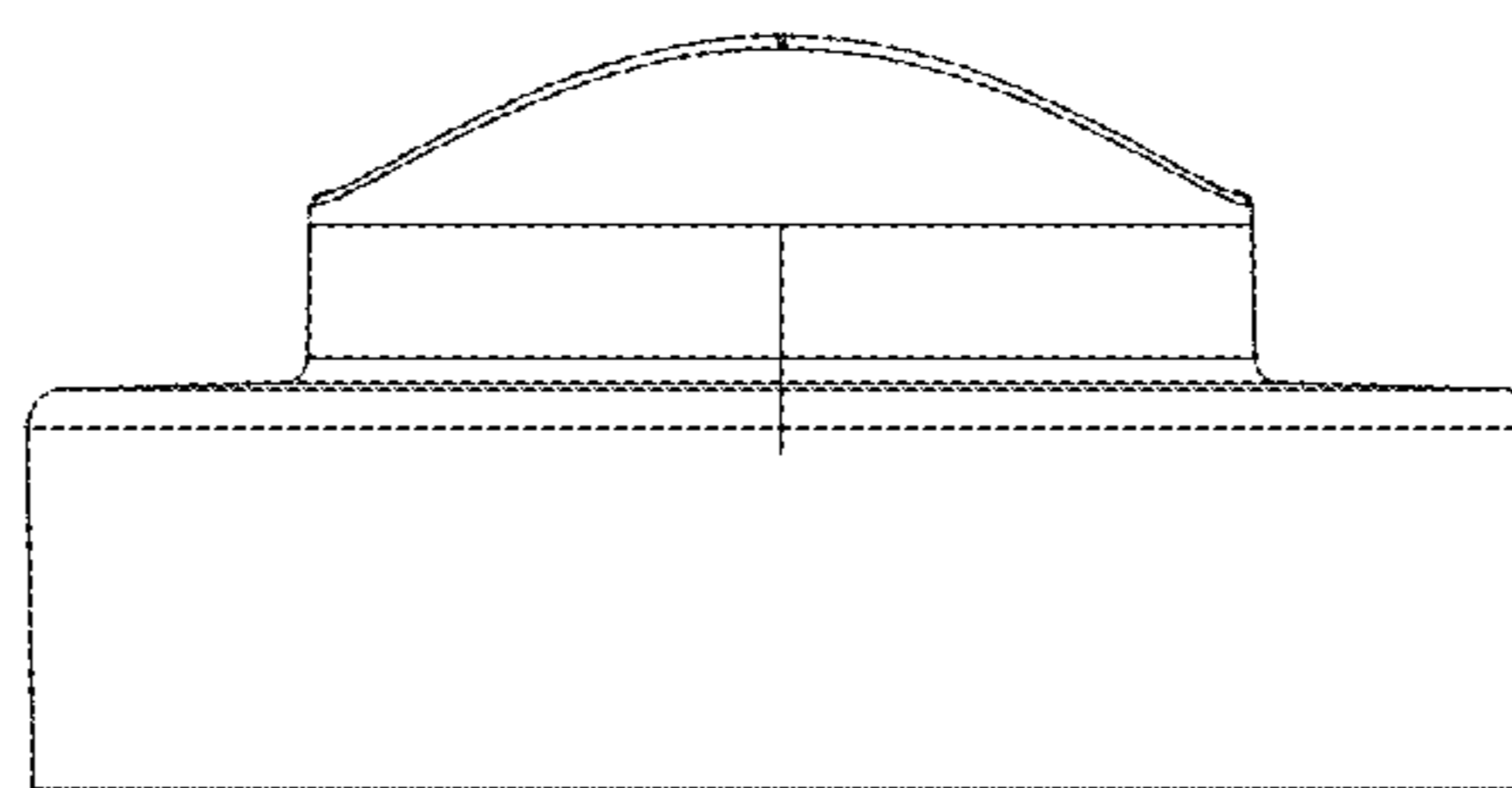


FIG.3

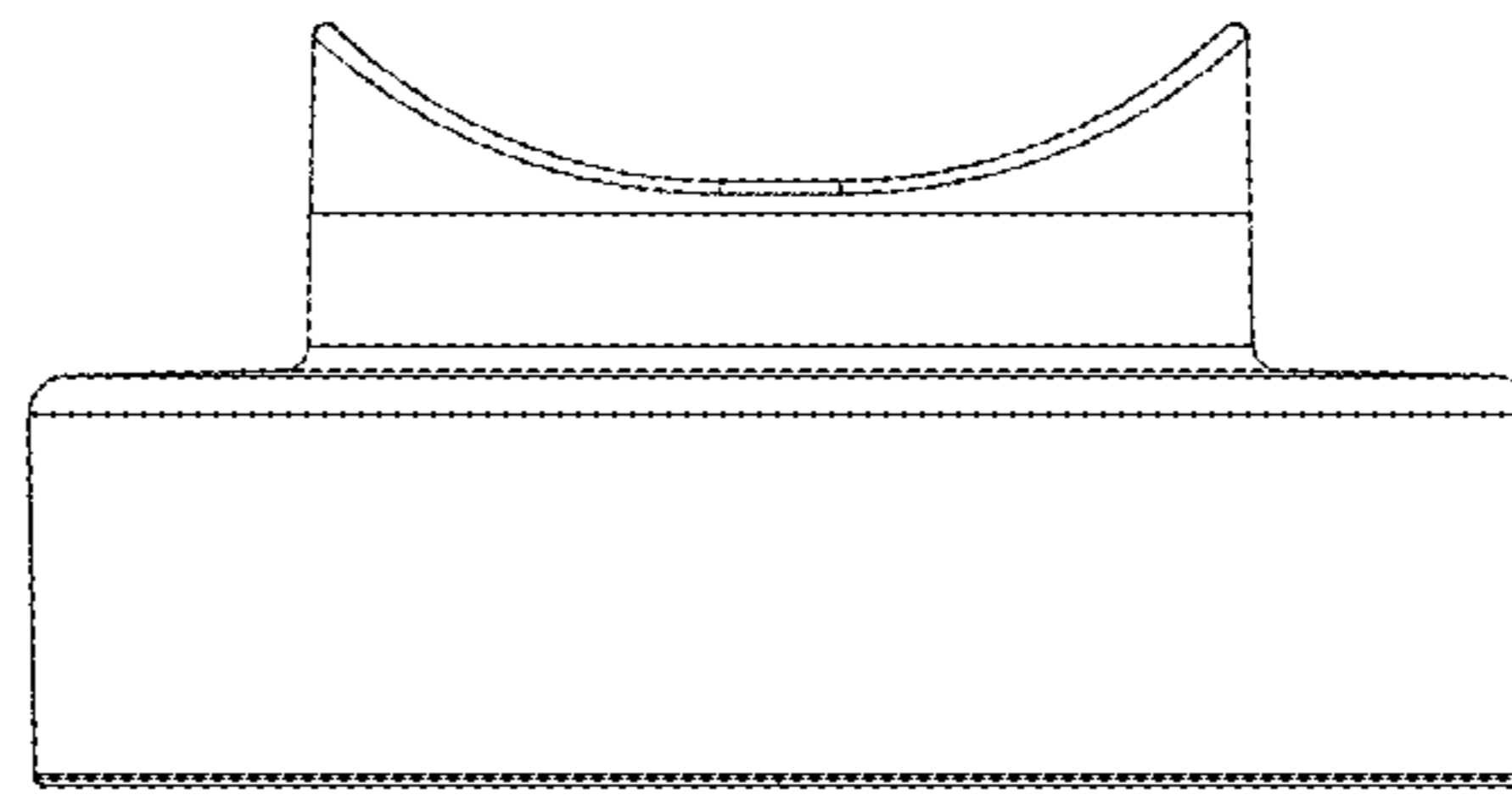


FIG. 4

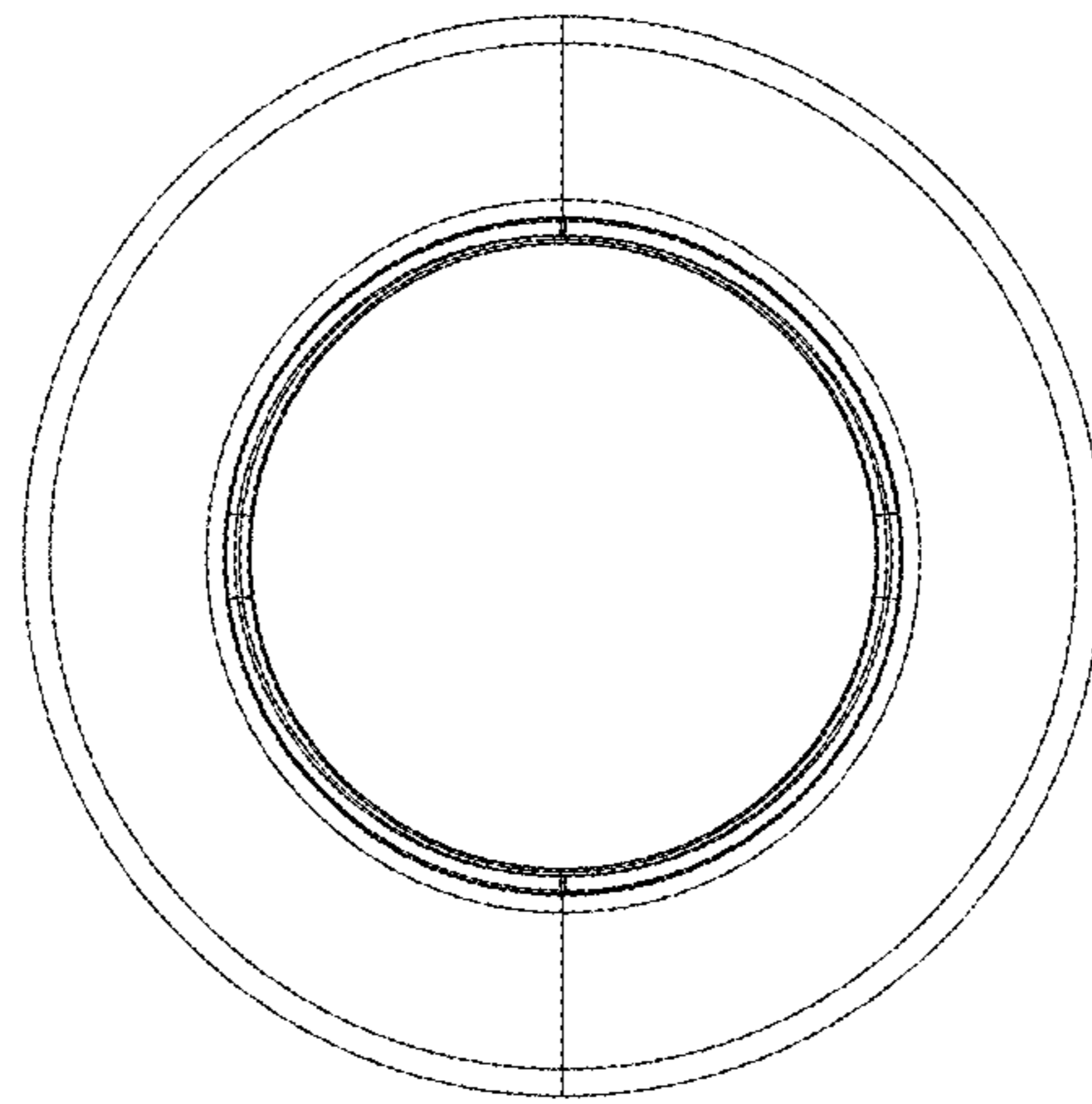


FIG. 5

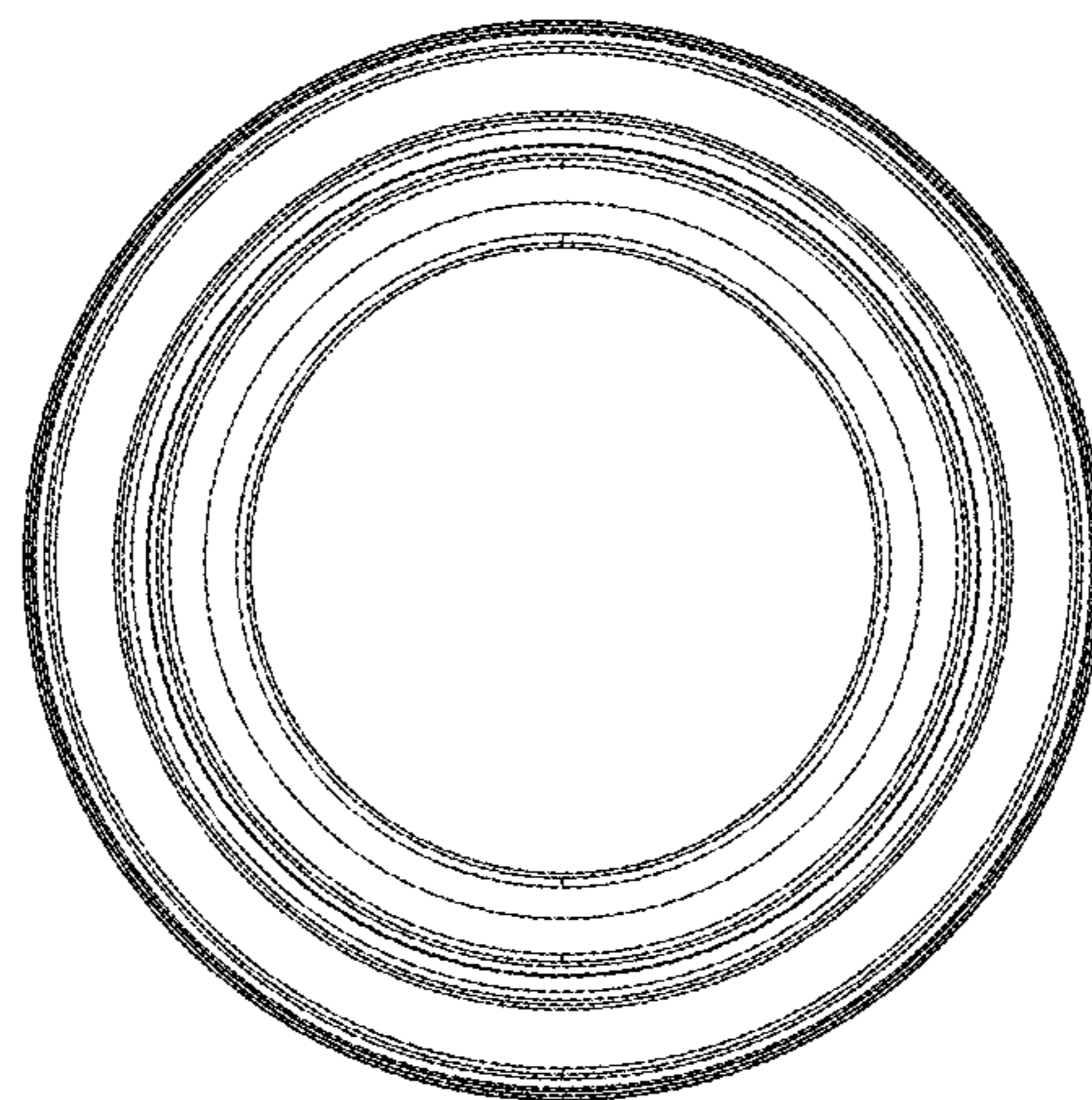


FIG. 6