



US00D942592S

(12) **United States Design Patent**
Smerdon

(10) **Patent No.:** **US D942,592 S**
(45) **Date of Patent:** **** Feb. 1, 2022**

(54) **PIPE FITTING**

(71) Applicant: **Everhard Industries Pty Ltd**, Geebung (AU)

(72) Inventor: **Kevin Smerdon**, Geebung (AU)

(73) Assignee: **Everhard Industries Pty Ltd**, Queensland (AU)

(**) Term: **15 Years**

(21) Appl. No.: **29/732,823**

(22) Filed: **Apr. 28, 2020**

(30) **Foreign Application Priority Data**

Nov. 13, 2019 (AU) 201916458

(51) **LOC (13) Cl.** **23-01**

(52) **U.S. Cl.**
USPC **D23/259**

(58) **Field of Classification Search**

USPC D23/233, 249, 259, 262, 263–266, 393;
D32/31; 285/5, 7, 272–273, 127.1, 133.4,
285/148.22, 190, 239, 334.5; 251/148;
138/DIG. 4

CPC . F16L 57/07; F16L 3/003; F16L 25/14; F16L
43/00; F16L 9/18

See application file for complete search history.

(56) **References Cited**

U.S. PATENT DOCUMENTS

D188,039 S * 5/1960 Descarries D32/31
D263,992 S * 4/1982 Ebert D23/262

D336,510 S * 6/1993 Sawtelle D23/262
D599,894 S * 9/2009 Price D23/262
D616,966 S * 6/2010 Angell D23/262
D710,485 S * 8/2014 Nudo D23/262
D745,116 S * 12/2015 Lehmann D23/262
D749,702 S * 2/2016 Rohn D23/259
D755,939 S * 5/2016 Salser, Jr. D23/262
D756,494 S * 5/2016 Gledhill D23/262
D803,994 S * 11/2017 Sekine D23/262
D833,581 S * 11/2018 Atwell D23/259
2010/0061805 A1 * 3/2010 Nourian E03F 3/046
405/36

* cited by examiner

Primary Examiner — Amy C Wierenga

(74) *Attorney, Agent, or Firm* — Edell, Shapiro & Finnan, LLC

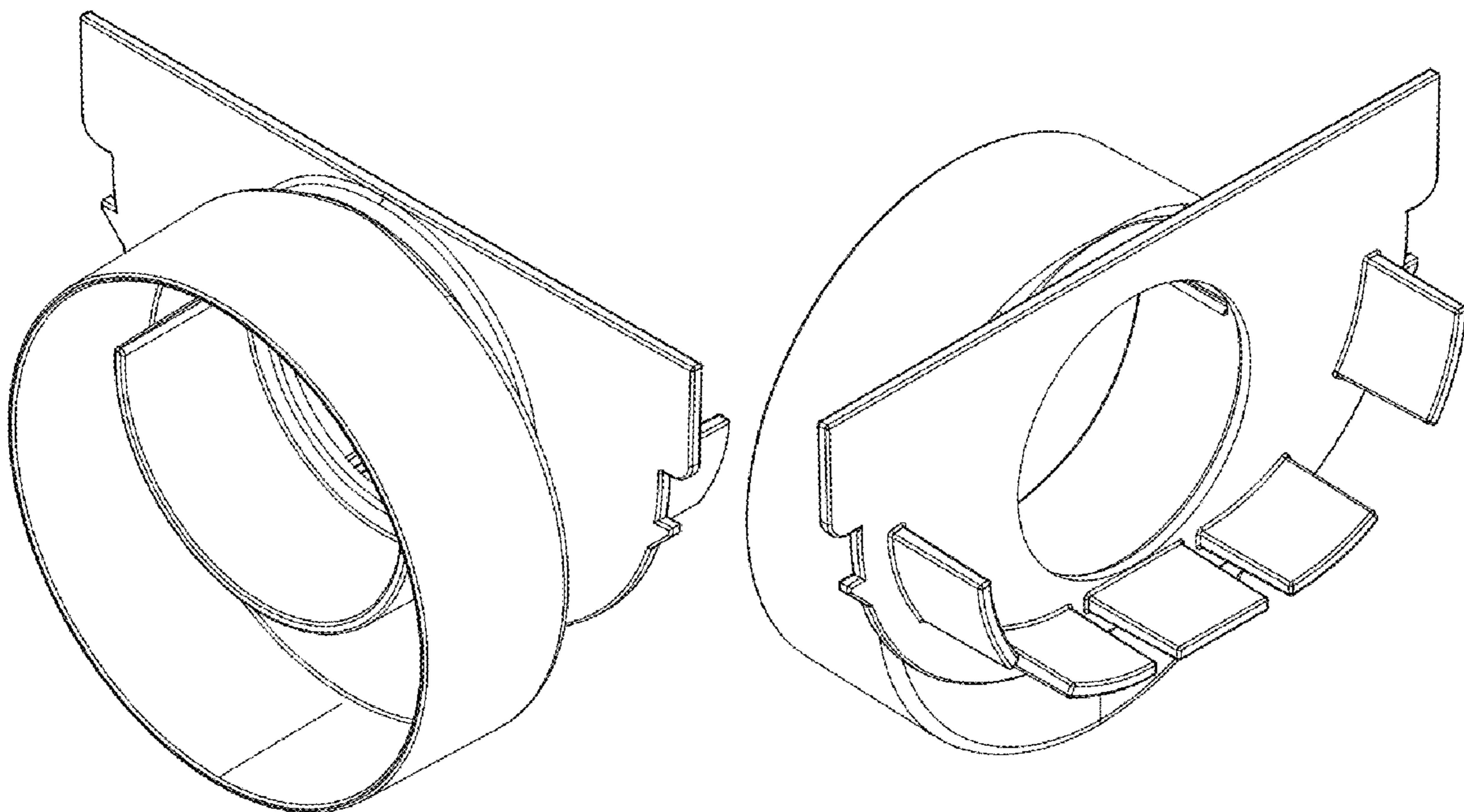
(57) **CLAIM**

The ornamental design for a pipe fitting, as shown and described.

DESCRIPTION

FIG. 1 is a front perspective view of the pipe fitting according to the present invention;
FIG. 2 is a rear perspective view of the pipe fitting of FIG. 1;
FIG. 3 is a front view of the pipe fitting of FIG. 1;
FIG. 4 is a top view of the pipe fitting of FIG. 1; and,
FIG. 5 is a right side view of the pipe fitting of FIG. 1, where the left side view (not shown) is a mirror of the right side view.

1 Claim, 2 Drawing Sheets



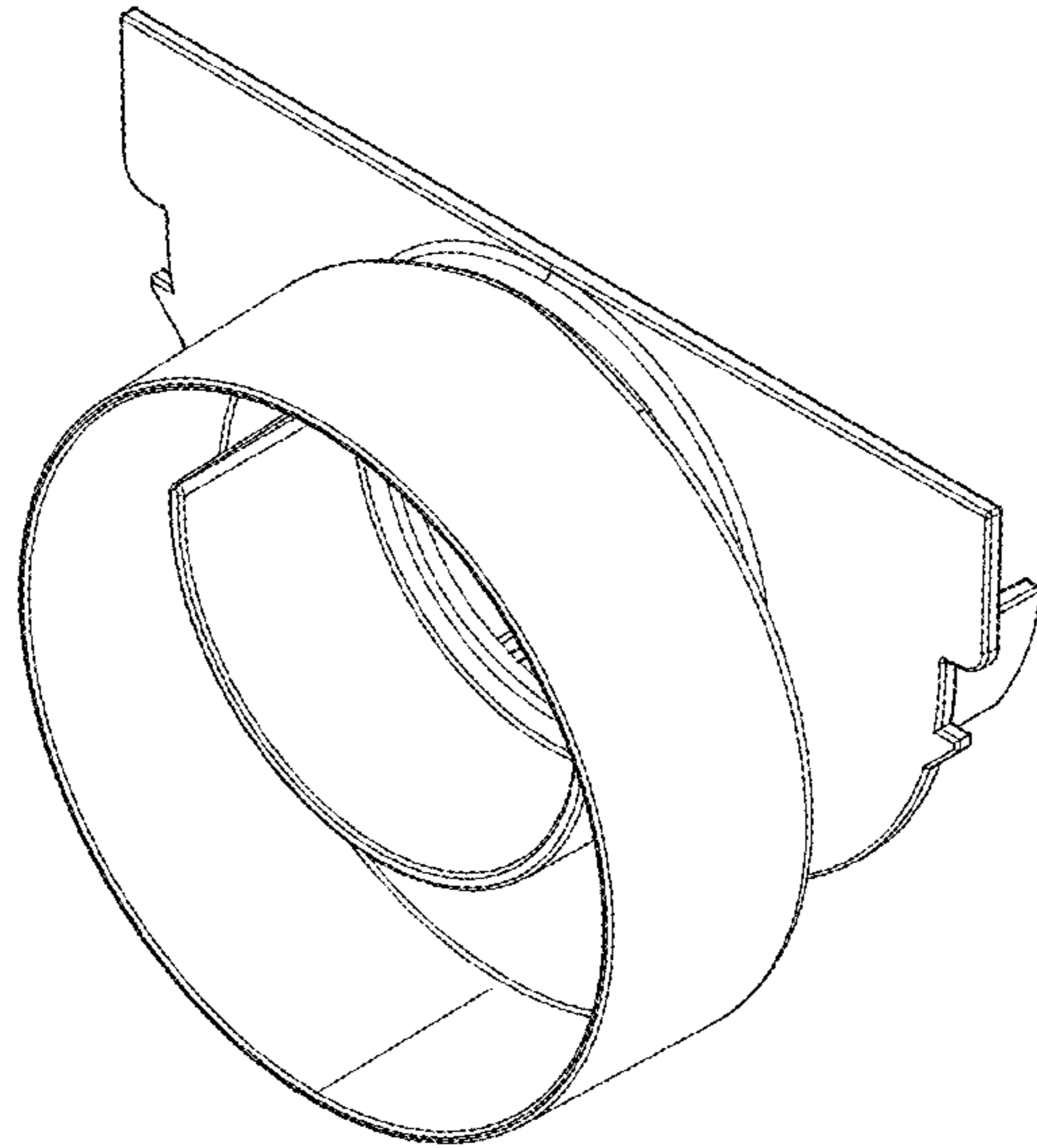


FIG.1

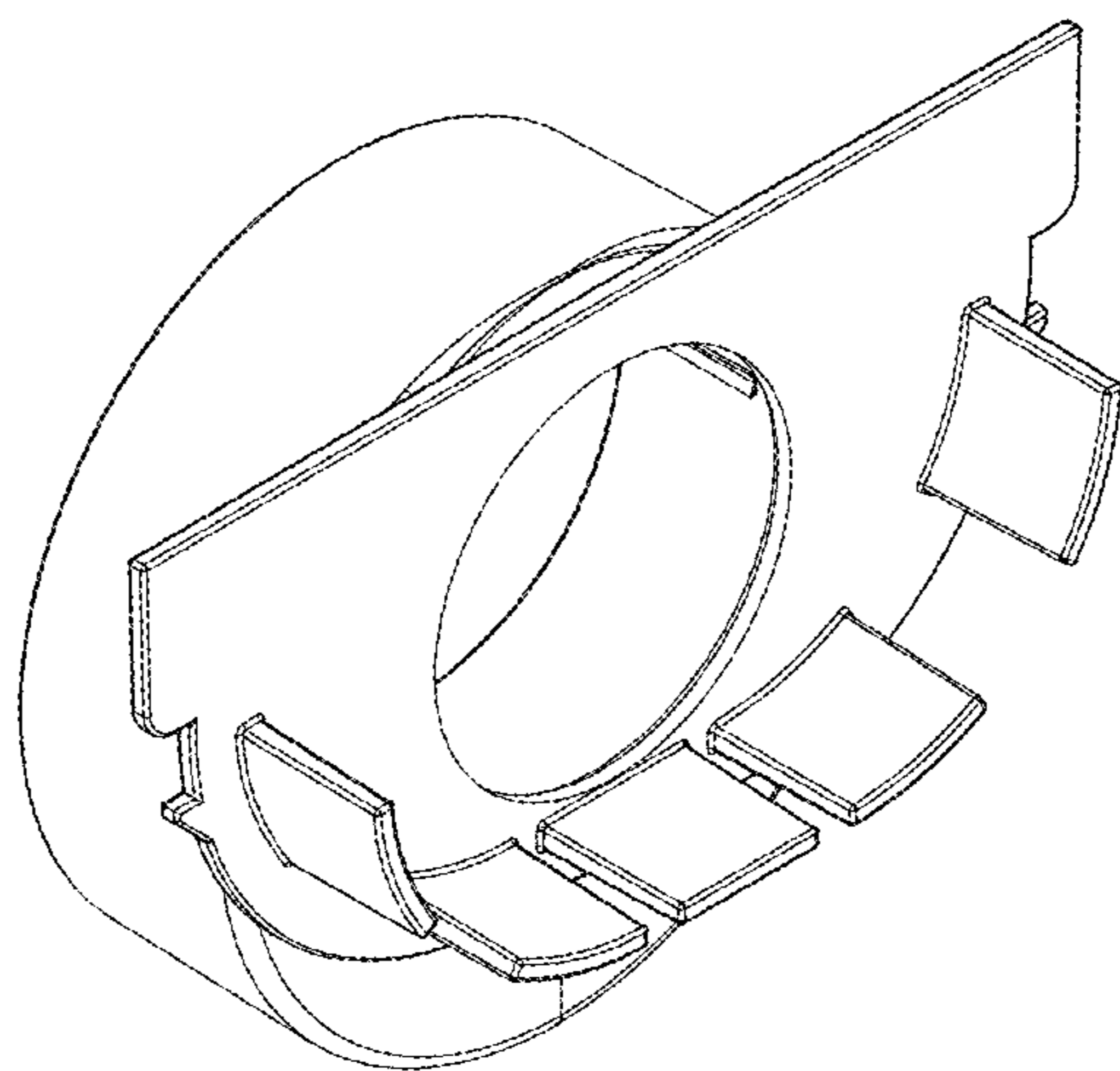


FIG.2

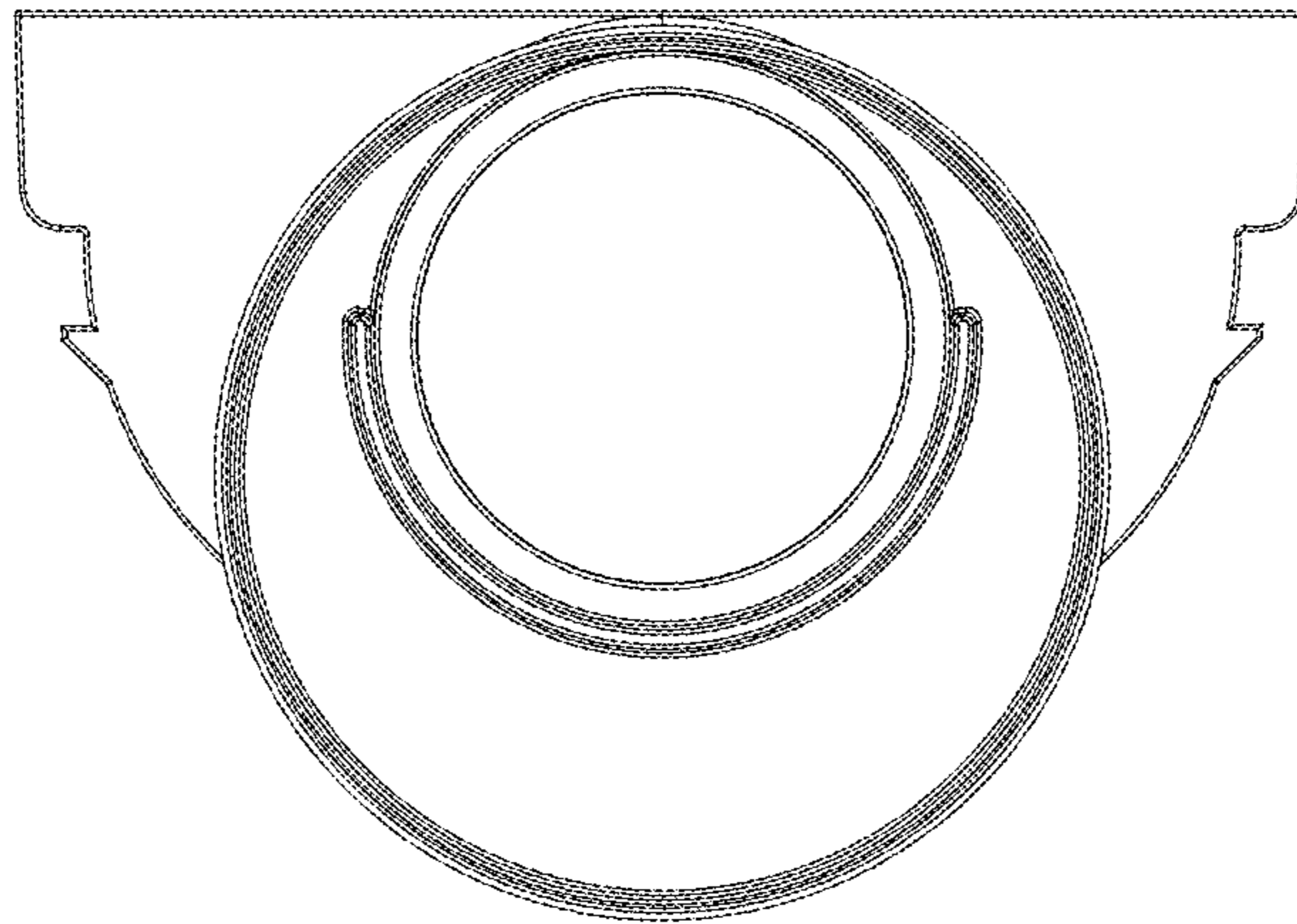


FIG.3

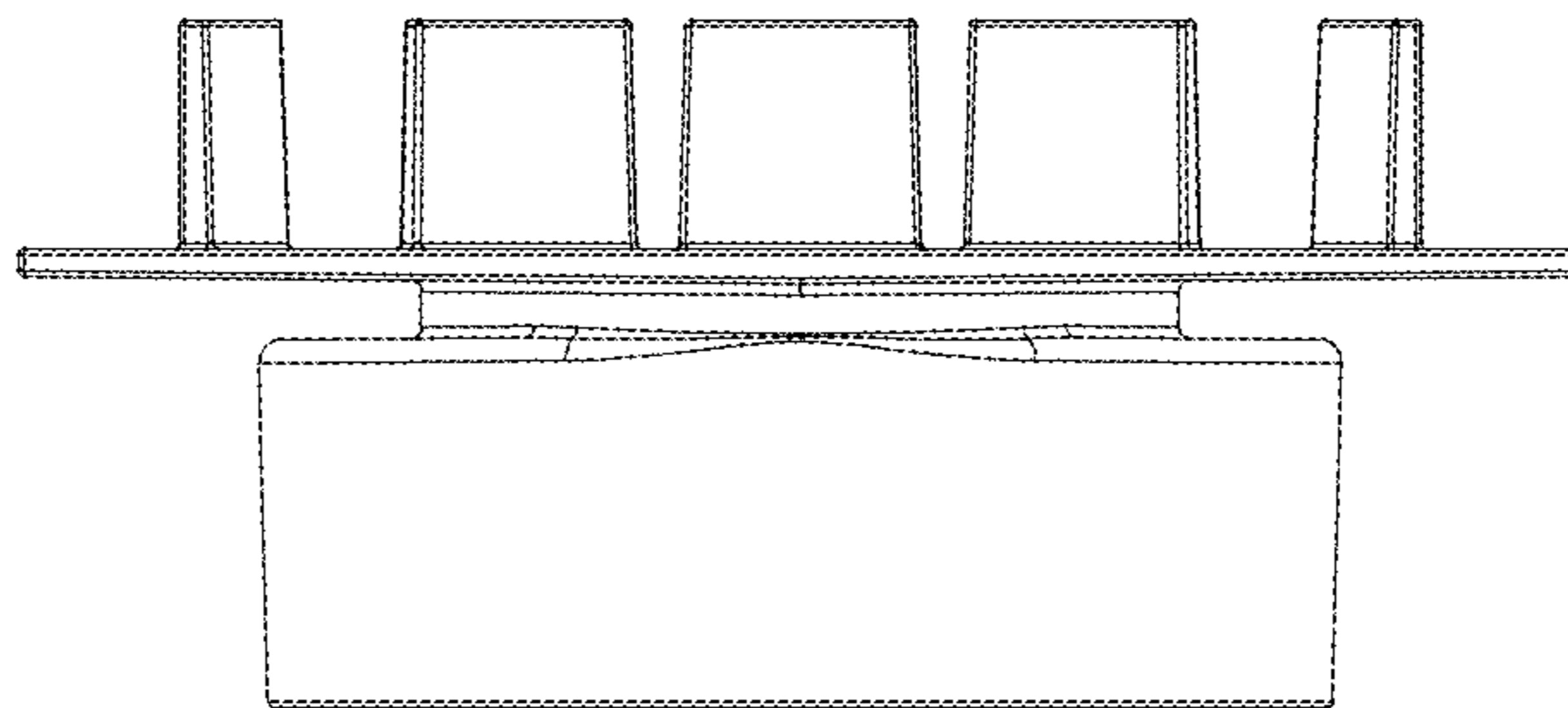


FIG.4

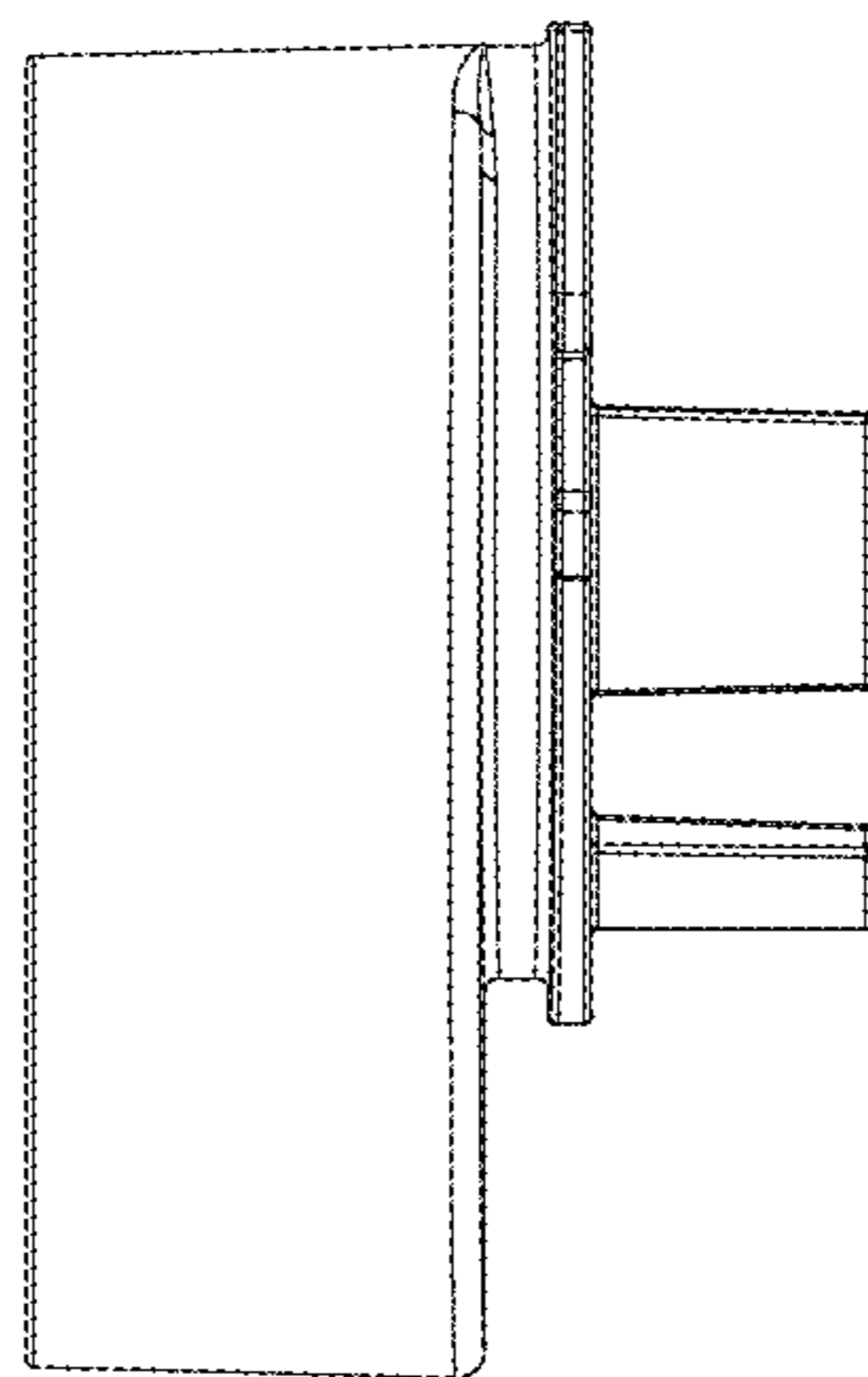


FIG.5