

US00D942589S

(12) **United States Design Patent** (10) **Patent No.:** **US D942,589 S**
Su (45) **Date of Patent:** **** Feb. 1, 2022**

(54) **SHOWER HEAD**

FOREIGN PATENT DOCUMENTS

(71) Applicant: **XIAMEN PINTAOMAO ELECTRONIC COMMERCE CO., LTD.**, Fujian (CN)

CA 104297 * 8/2004

(72) Inventor: **Fenghe Su**, Fujian (CN)

OTHER PUBLICATIONS

(73) Assignee: **XIAMEN PINTAOMAO ELECTRONIC COMMERCE CO., LTD.**, Fujian (CN)

HydroRail®-Sshower column kit with Awaken®: <https://www.us.kohler.com/us/hydrorail-s-shower-column-kit-with-awaken-2.0-gpm/productDetail/shower-packages/1178881.htm?skuld=1178867> (Year: 2013).*

(**) Term: **15 Years**

* cited by examiner

(21) Appl. No.: **29/777,126**

Primary Examiner — Robert A Delehanty

(22) Filed: **Apr. 2, 2021**

(74) *Attorney, Agent, or Firm* — ScienBiziP, P.C.

(51) **LOC (13) Cl.** **23-01**

(57) **CLAIM**

(52) **U.S. Cl.**

The ornamental design for a shower head, as shown and described.

USPC **D23/226**

(58) **Field of Classification Search**

DESCRIPTION

USPC D23/213, 223, 226, 228–229
See application file for complete search history.

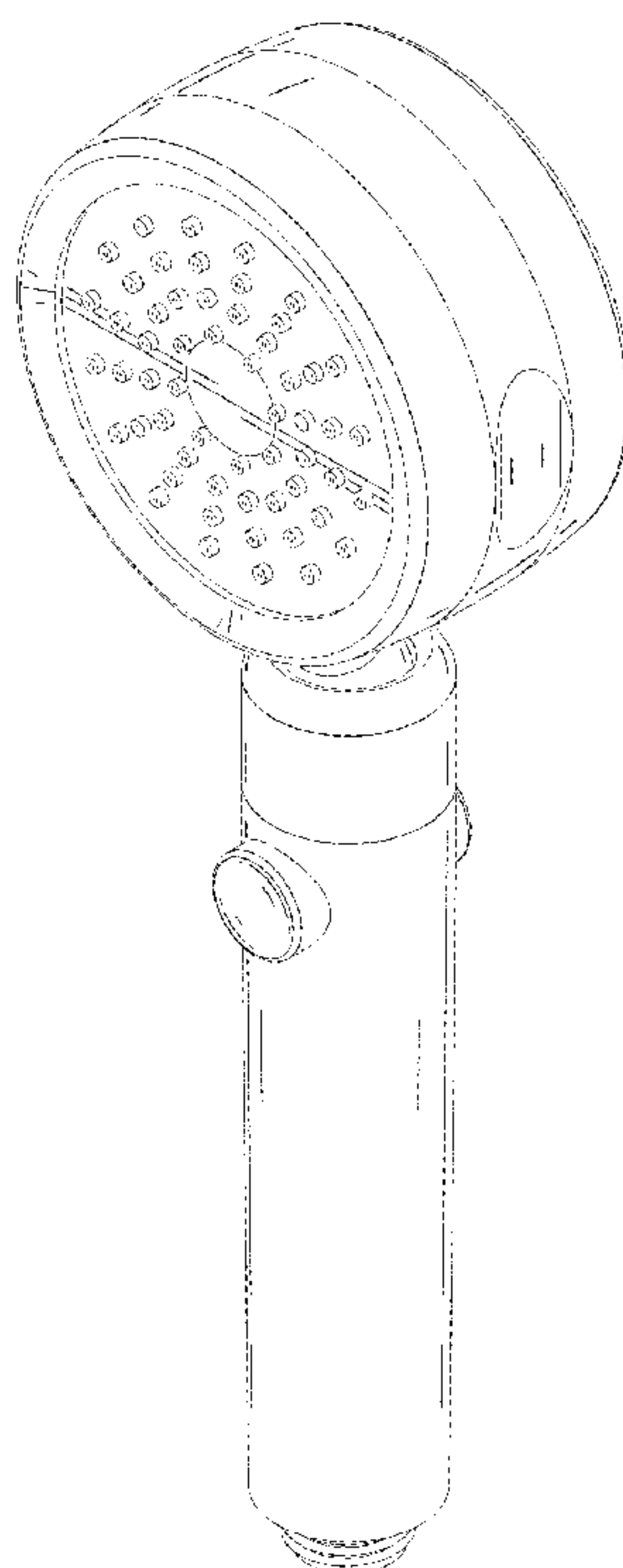
(56) **References Cited**

FIG. 1 is a front, right, and top perspective view of a shower head, showing my design.
FIG. 2 is a front elevation view thereof.
FIG. 3 is a rear elevation view thereof.
FIG. 4 is a left side elevation view thereof.
FIG. 5 is a right side elevation view thereof.
FIG. 6 is a top plan view thereof; and,
FIG. 7 is a bottom plan view thereof.
The broken lines shown in the drawings are included for the purpose of illustrating portions of the shower head that form no part of the claimed design.

U.S. PATENT DOCUMENTS

D457,598 S *	5/2002	Storti	D23/223
D527,072 S *	8/2006	Wu	D23/223
D659,797 S *	5/2012	Farley	D23/223
D777,881 S *	1/2017	Chen	D23/229
D844,749 S *	4/2019	Cocks	D23/223
D892,976 S *	8/2020	Zhang	D23/223
D901,632 S	11/2020	Wu et al.		
D908,836 S	1/2021	Wu		
10,968,612 B1 *	4/2021	Tzeng	E03C 1/0408
11,185,195 B2 *	11/2021	Lo	B05B 1/18

1 Claim, 7 Drawing Sheets



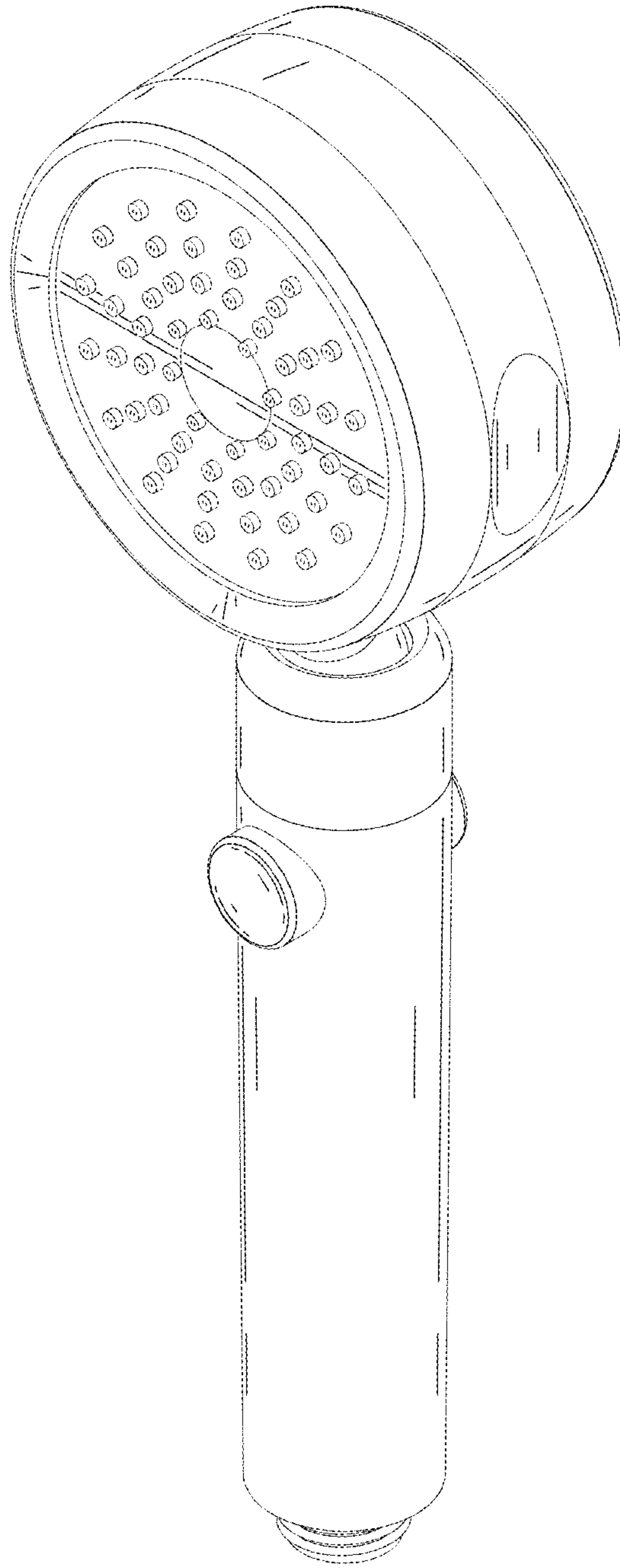


FIG.1

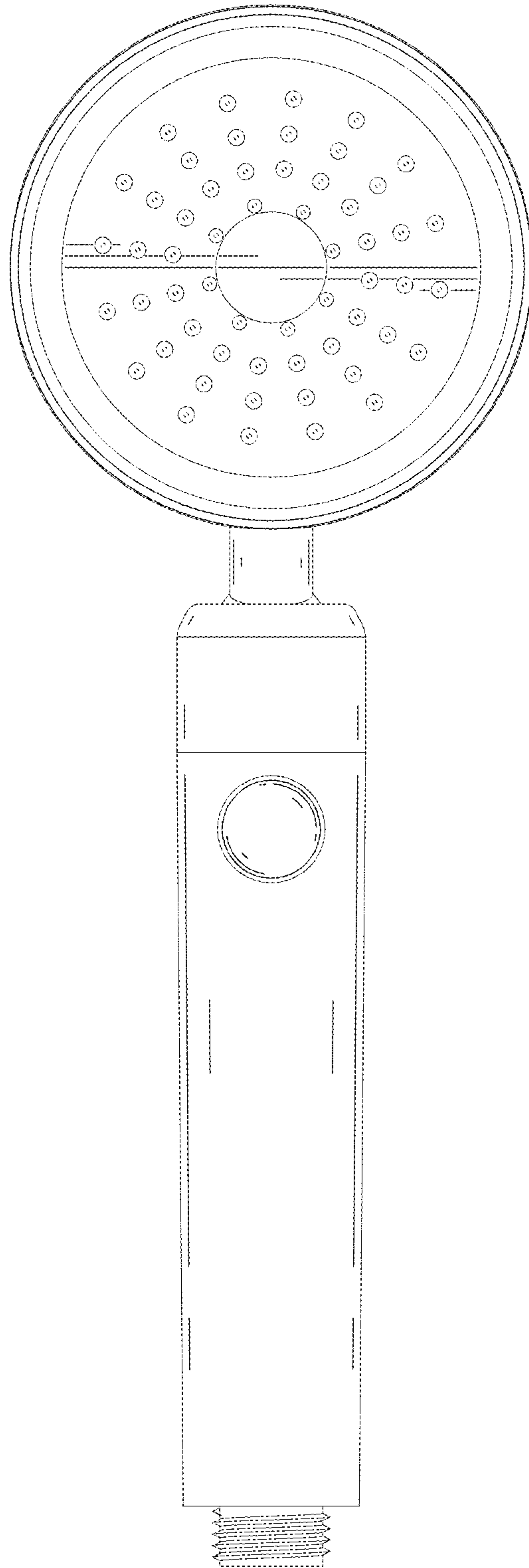


FIG. 2

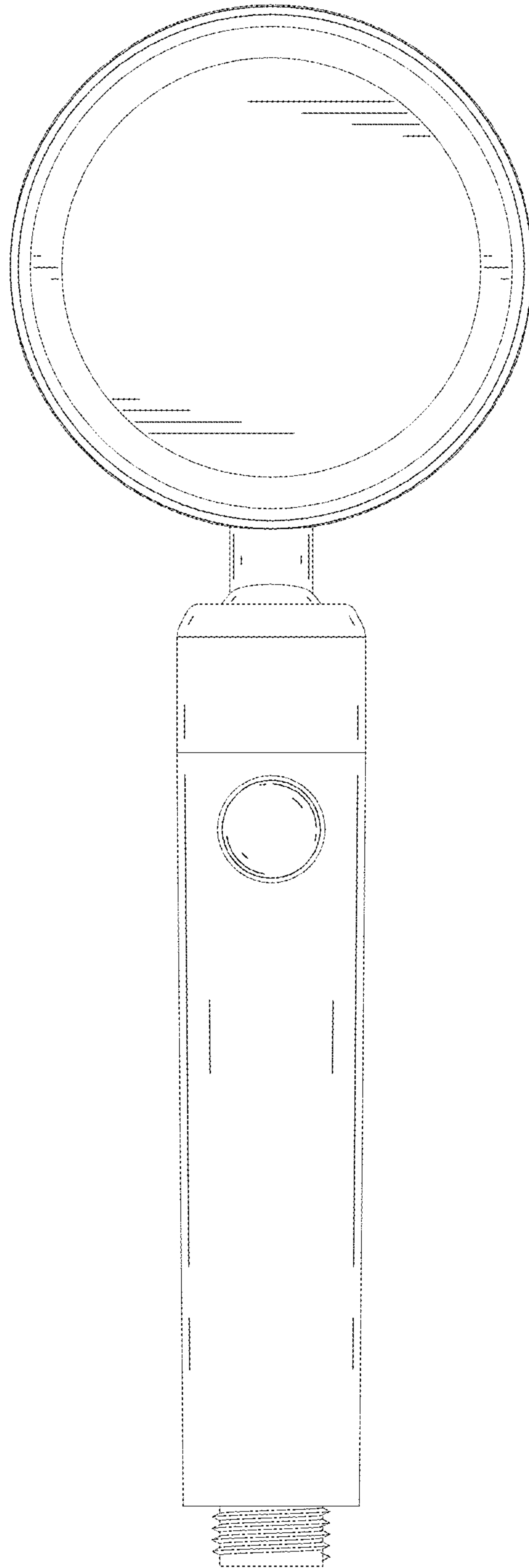


FIG.3

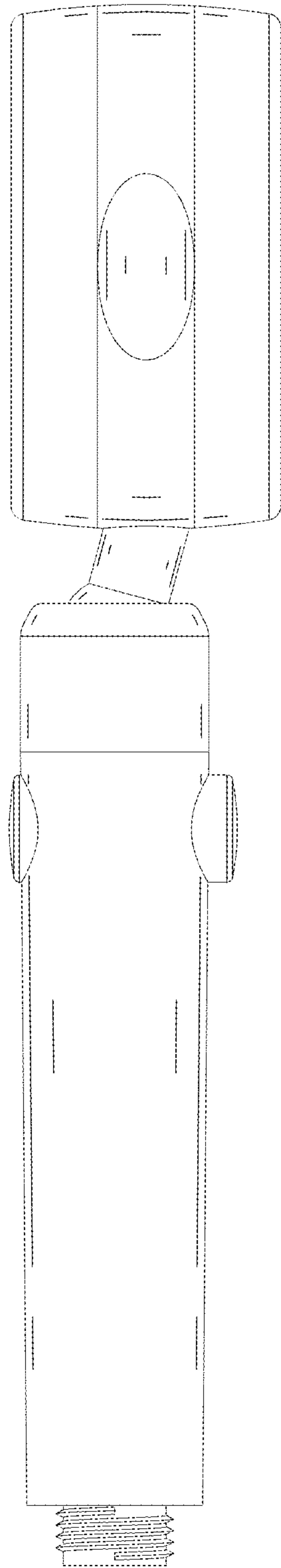


FIG. 4

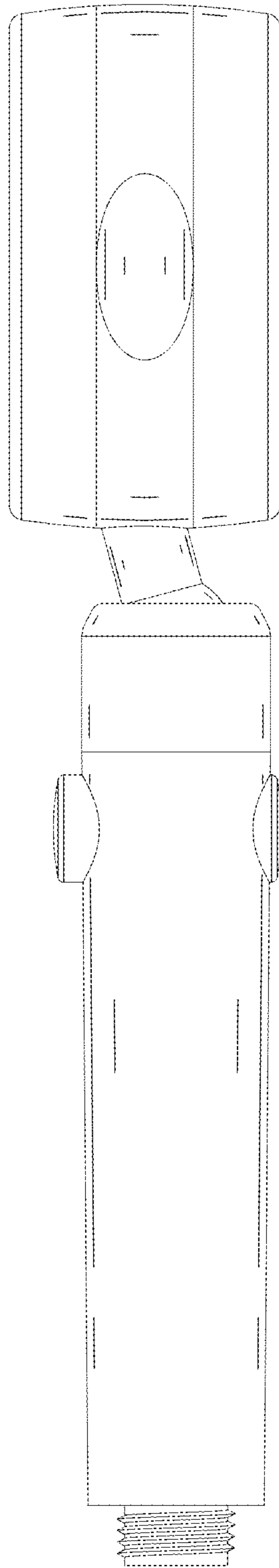


FIG. 5

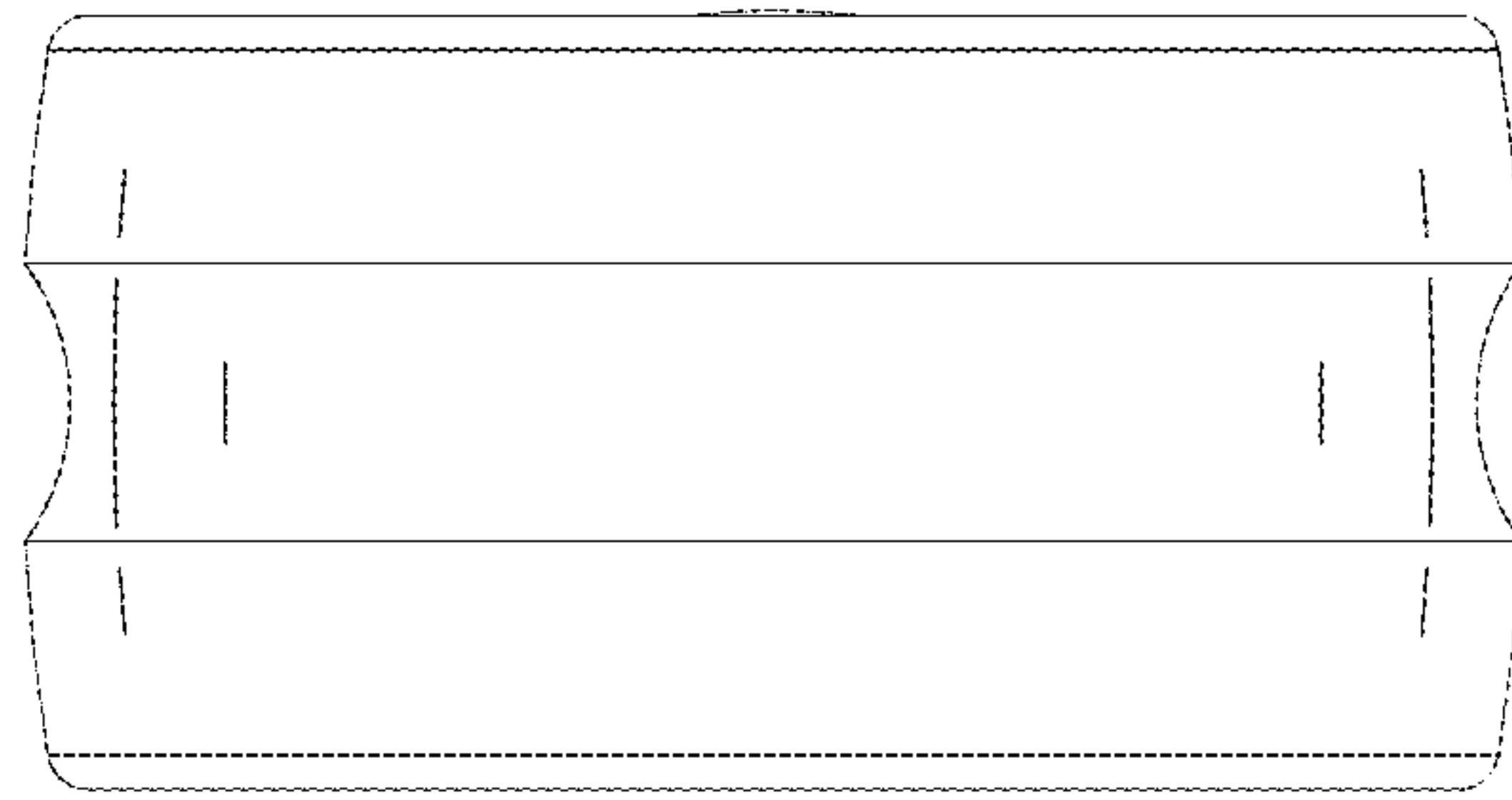


FIG.6

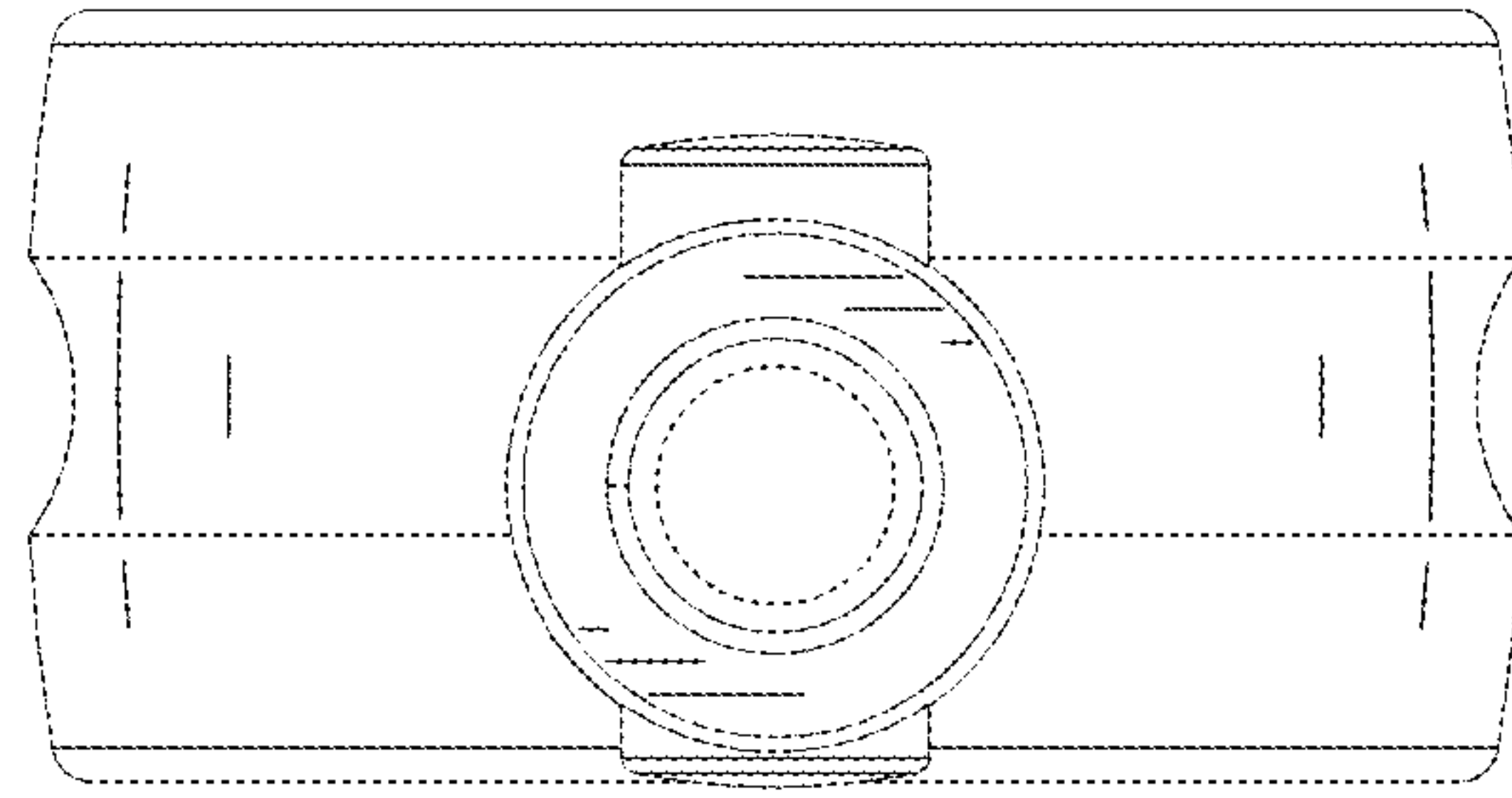


FIG. 7