



US00D942588S

(12) **United States Design Patent** (10) **Patent No.:** **US D942,588 S**
Alexander et al. (45) **Date of Patent:** **** Feb. 1, 2022**

(54) **PRESSURE WASHER SPRAY GUN**

(71) Applicant: **FNA Group, Inc.**, Pleasant Prairie, WI (US)

(72) Inventors: **Gus Alexander**, Inverness, IL (US);
Chris Alexander, Park Ridge, IL (US);
Ryan Sherwood, La Grange, IL (US);
Richard J. Gilpatrick, Burlington, WI (US)

(73) Assignee: **FNA GROUP, INC.**, Pleasant Prairie, WI (US)

(**) Term: **15 Years**

(21) Appl. No.: **29/724,756**

(22) Filed: **Feb. 19, 2020**

(51) **LOC (13) Cl.** **23-01**

(52) **U.S. Cl.**
USPC **D23/226**

(58) **Field of Classification Search**
USPC D23/207, 213, 223, 225, 226, 356, 360;
D15/9; D32/53; D8/29.1
CPC .. B05B 5/025; B05B 5/03; B05B 5/16; B05B
5/1691; B05B 7/0018; B05B 7/0093;
B05B 7/02; B05B 7/06; B05B 7/062;
B05B 7/064; B05B 7/12; B05B 7/129;
B05B 7/24; B05B 7/2475; B05B 7/2478;
B05B 15/60; B05B 15/63; F24H 3/0423
See application file for complete search history.

(56) **References Cited**

U.S. PATENT DOCUMENTS

D346,647 S * 5/1994 Arnette D23/225
5,525,046 A * 6/1996 Hartmann B08B 3/026
137/513.5
6,651,909 B1 * 11/2003 Bugarin B05B 1/16
239/390
D499,791 S * 12/2004 Etter D23/226

D501,536 S * 2/2005 Amaduzzi D23/226
D518,873 S * 4/2006 Carpanese D23/223
D554,742 S * 11/2007 Carpanese D23/226
D571,434 S * 6/2008 Renner D23/223
D573,691 S * 7/2008 Busschaert D23/226
D582,513 S * 12/2008 Zingoni D23/226

(Continued)

OTHER PUBLICATIONS

RYOBI 2300 PSI Pressure Washer, Jun. 27, 2017, Home Depot, site visited Sep. 10, 2021: <https://www.homedepot.com/p/RYOBI-2300-PSI-1-2-GPM-High-Performance-Electric-Pressure-Washer-RY142300/300405751> (Year: 2017).*

(Continued)

Primary Examiner — Jack Reickel

Assistant Examiner — Bobby W Jones, II

(74) *Attorney, Agent, or Firm* — Steven E. Jedlinski;
Jeffrey T. Placker; Holland & Knight LLP

(57) **CLAIM**

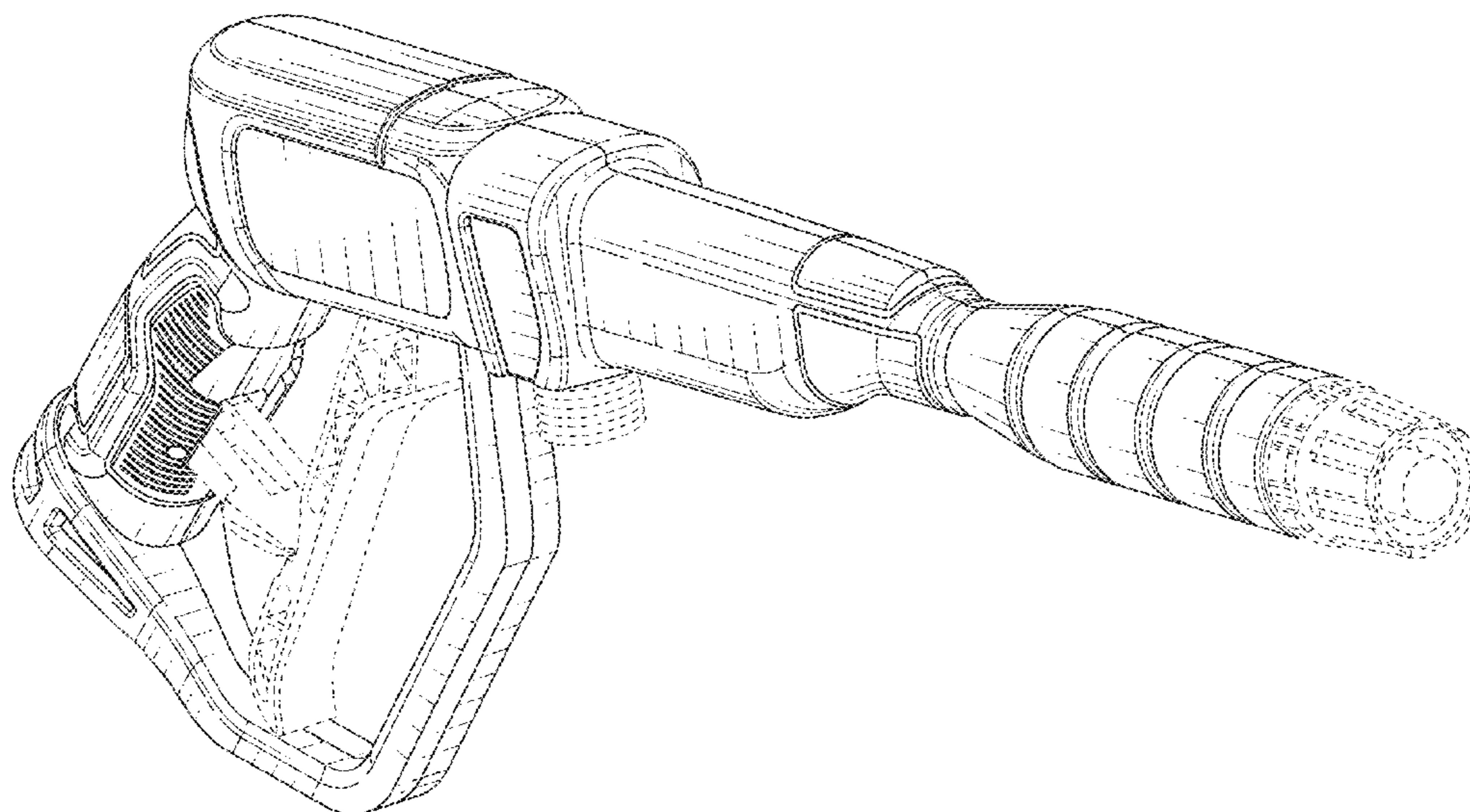
The ornamental design for a pressure washer spray gun, as shown and described.

DESCRIPTION

FIG. 1 is a top-rear-left perspective view of a pressure washer spray gun;
FIG. 2 is a top-front-right perspective view thereof;
FIG. 3 is a bottom-front-left perspective view thereof;
FIG. 4 is a bottom-rear-right perspective view thereof;
FIG. 5 is a left elevation view thereof;
FIG. 6 is a right elevation view thereof;
FIG. 7 is a rear elevation view thereof;
FIG. 8 is front elevation view thereof;
FIG. 9 is a top plan view thereof; and,
FIG. 10 is a bottom plan view thereof.

The broken lines are included for the purpose of illustrating portions of the pressure washer spray gun that form no part of the claimed design.

1 Claim, 8 Drawing Sheets



(56)

References Cited

U.S. PATENT DOCUMENTS

7,516,910 B1 * 4/2009 DeWall B05B 9/01
 239/526
 D600,778 S * 9/2009 Meyer D23/226
 7,641,133 B2 * 1/2010 Wilfert B60S 3/044
 239/419.5
 D636,846 S * 4/2011 Shoemaker D23/213
 D705,394 S * 5/2014 Alexander D23/226
 D753,265 S * 4/2016 Burchard D23/226
 D803,984 S * 11/2017 Tschopp D23/226
 D850,582 S * 6/2019 Weinberg D23/226
 D879,912 S * 3/2020 Alexander D23/226
 D902,345 S * 11/2020 Alexander D23/213
 2014/0263754 A1 * 9/2014 Nushart B05B 1/1654
 239/442
 2015/0174598 A1 * 6/2015 Eschrich B08B 3/028
 239/526
 2016/0067726 A1 * 3/2016 Gilpatrick B05B 12/004
 239/526
 2017/0225203 A1 * 8/2017 Kloepfer B08B 3/003
 2019/0015853 A1 * 1/2019 Johnson B05B 7/2472

OTHER PUBLICATIONS

SurfaceMaxx Pro 4500-PSI Pressure Washer Gun, Apr. 11, 2018, Lowes, site visited Sep. 10, 2021: <https://www.lowes.com/pd/SurfaceMaxx-Pro-4200-PSI-Pressure-Washer-Spray-Gun-Kit/4005783> (Year: 2018).*

Best Pressure Washer for Home Review: Simpson Megashot 3200PSI, Apr. 6, 2021, YouTube, site visited Sep. 10, 2021: <https://www.youtube.com/watch?v=aS0YWQ0QUE8> (Year: 2021).*

* cited by examiner

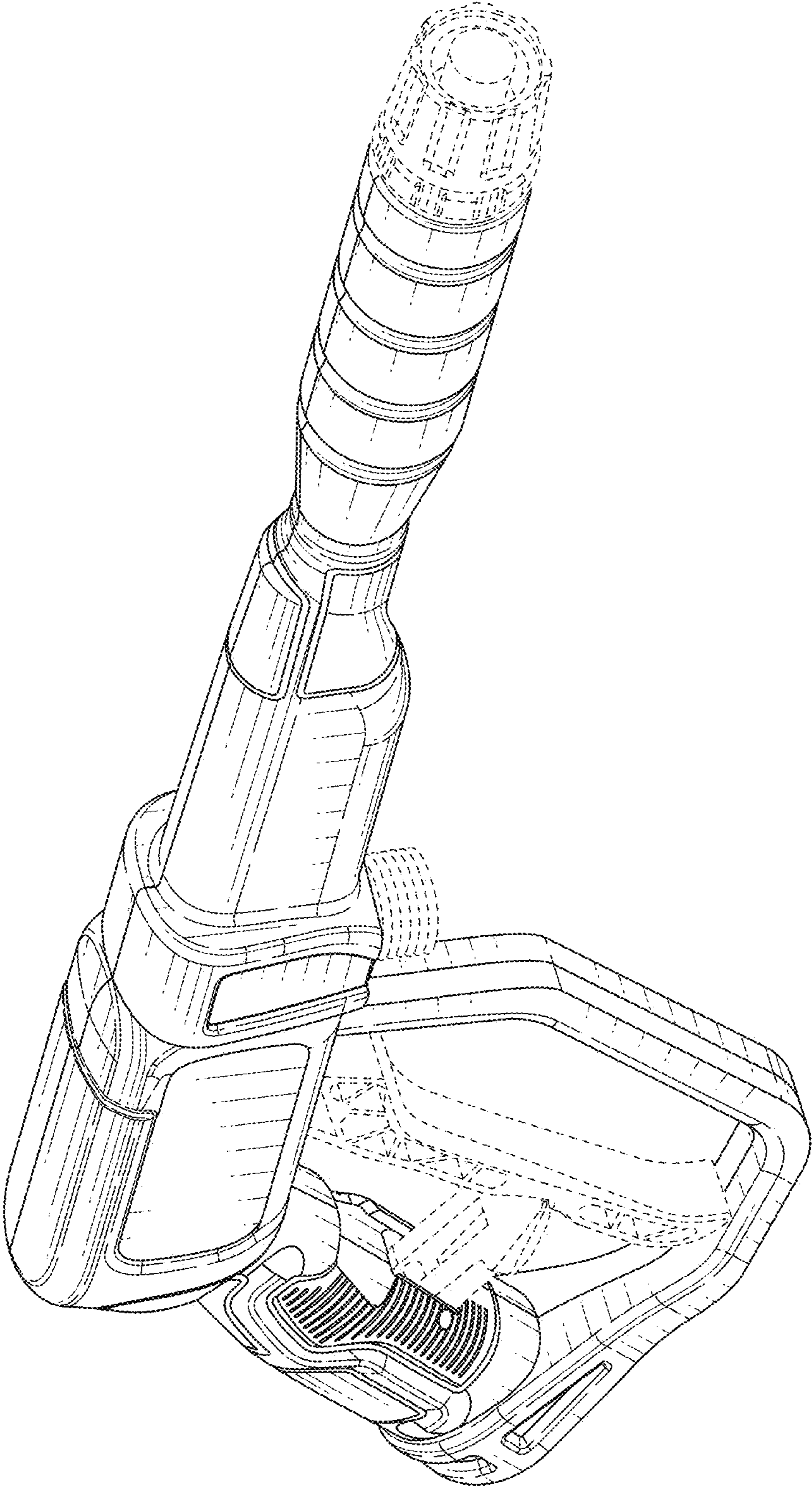


FIG. 1

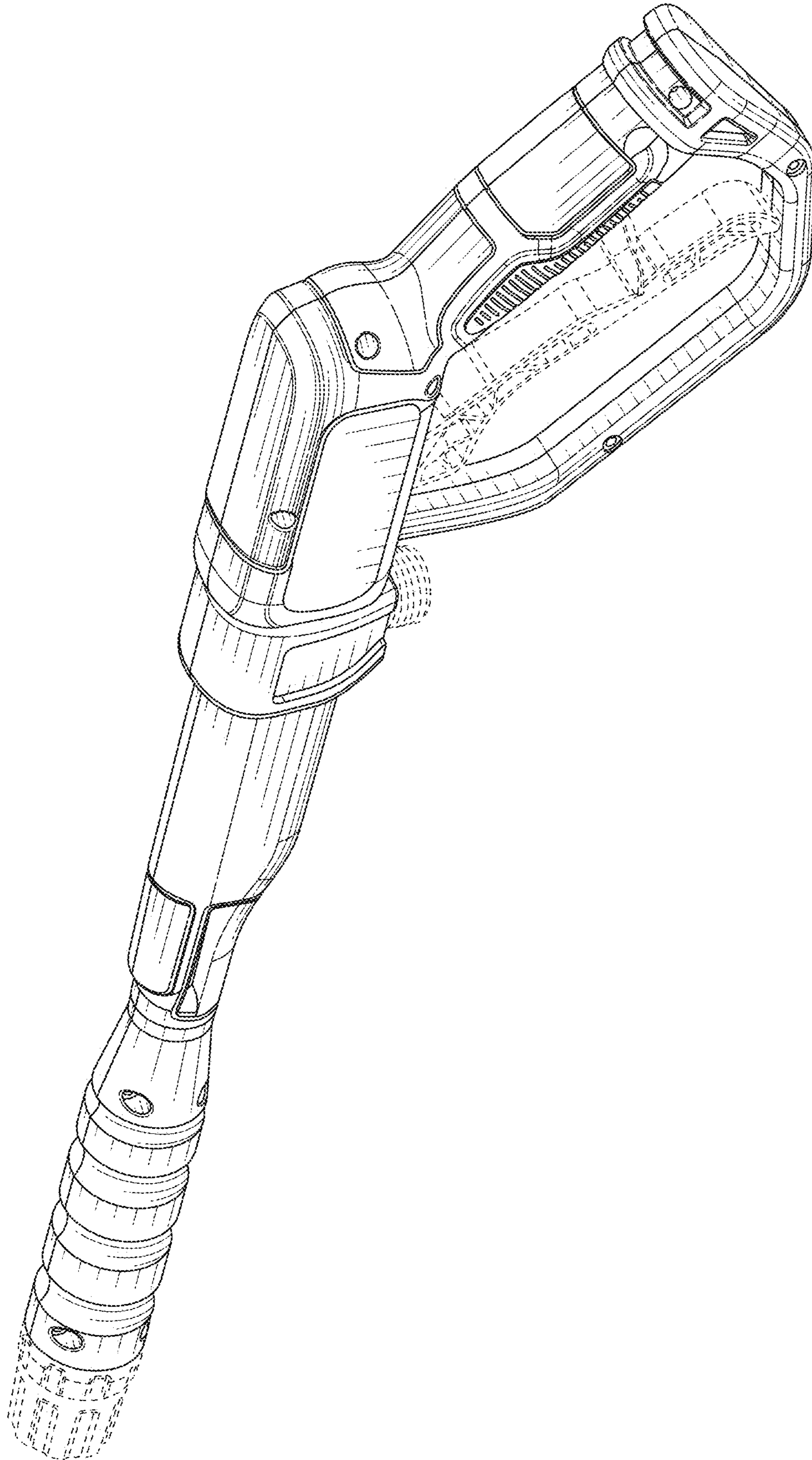


FIG. 2

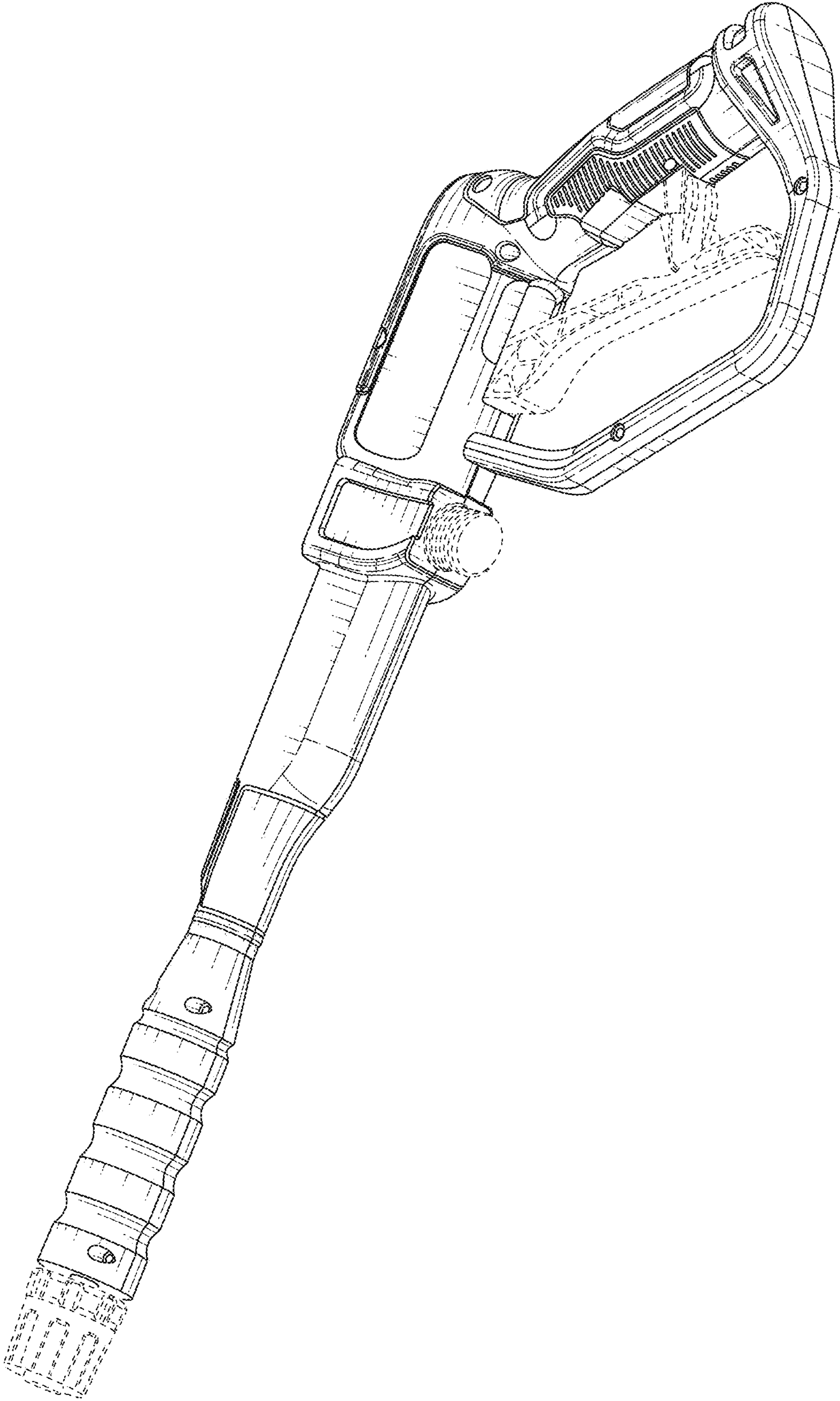


FIG. 3

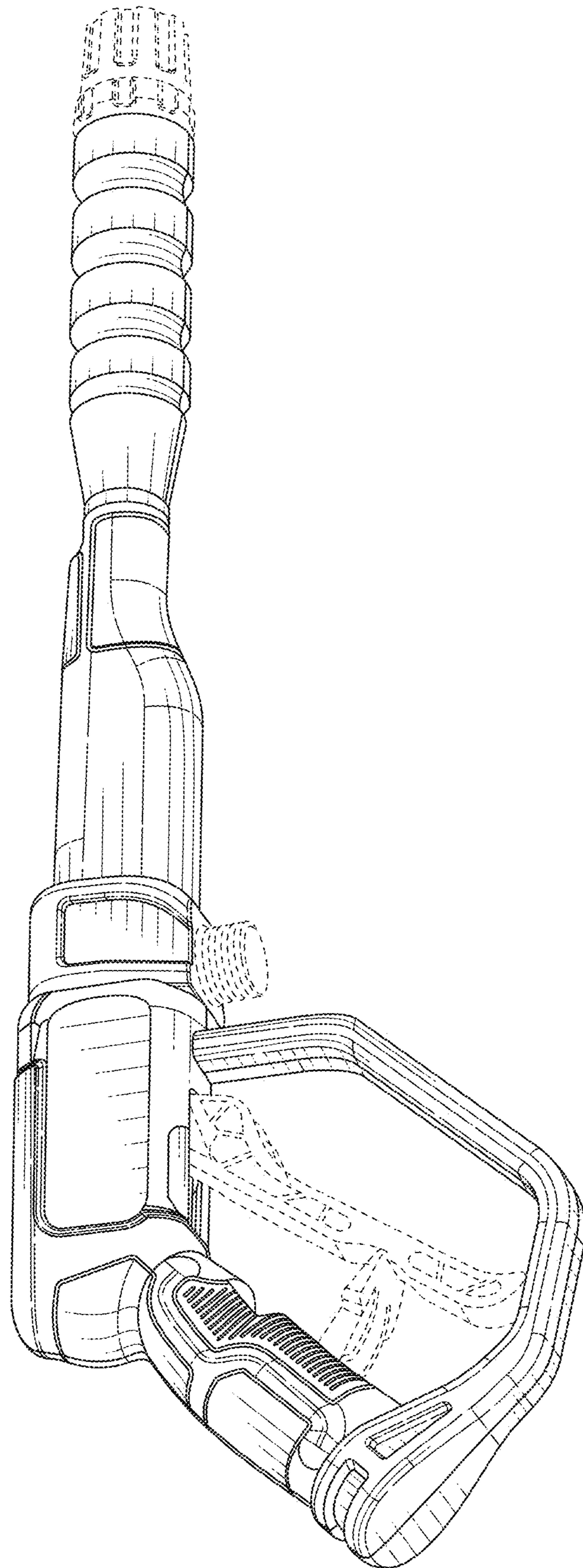


FIG. 4

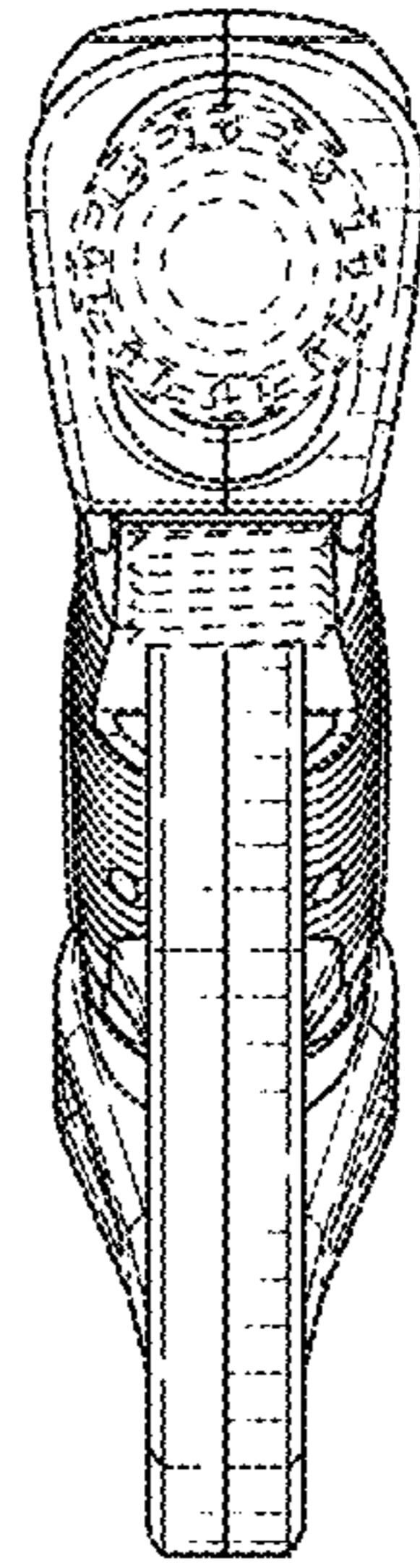


FIG. 5

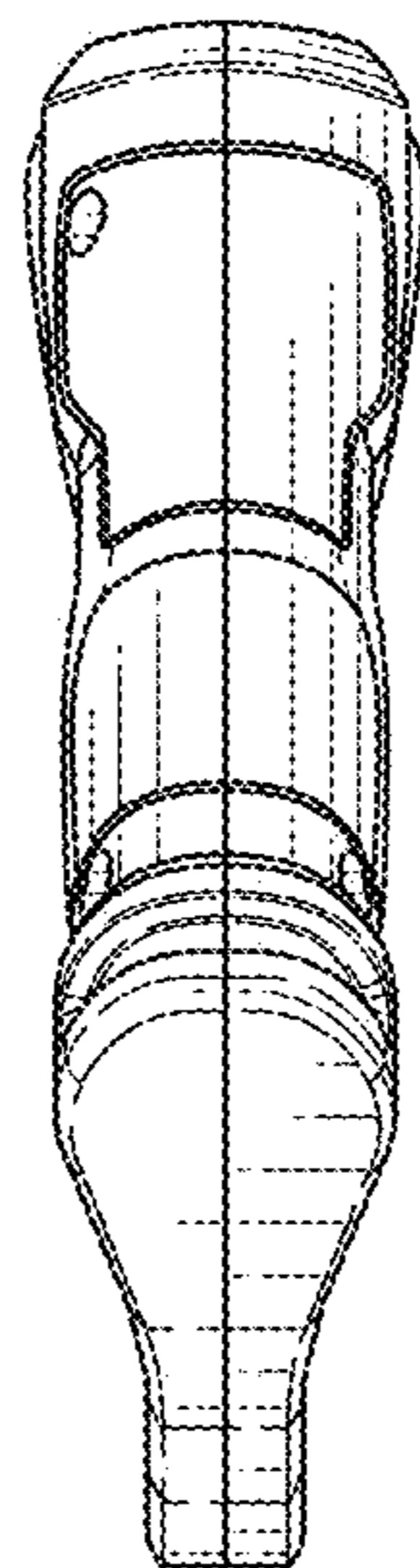


FIG. 6

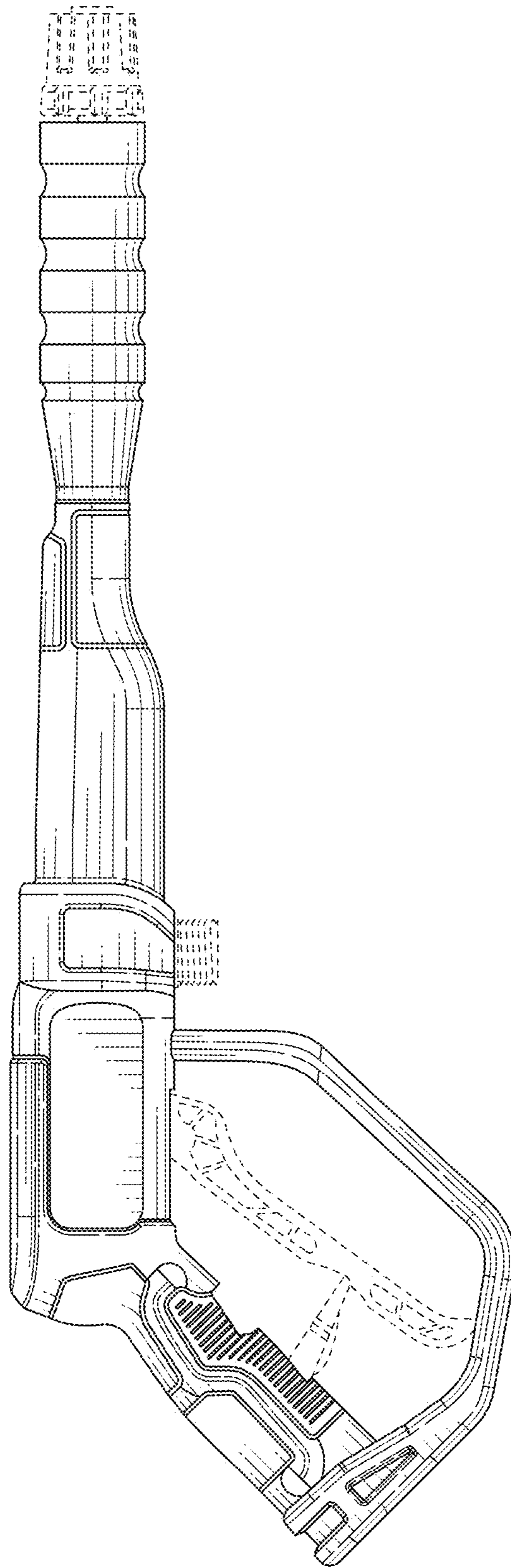


FIG. 7

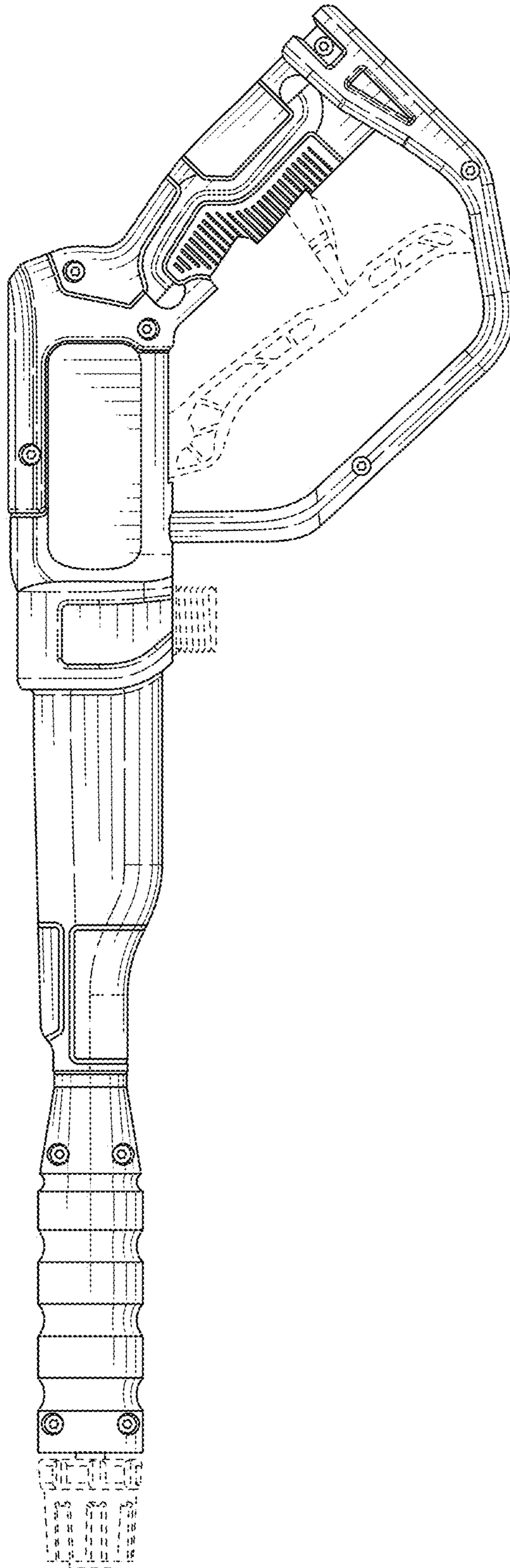


FIG. 8

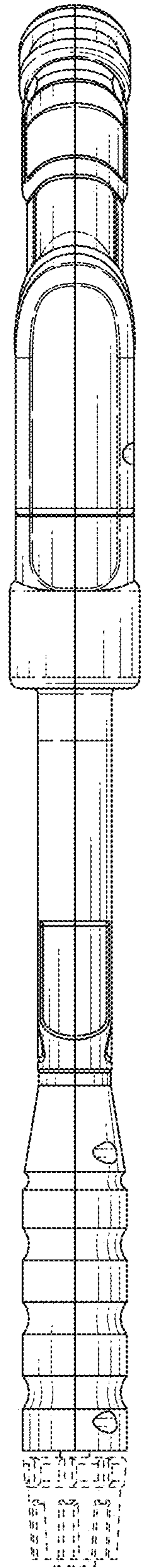


FIG. 9

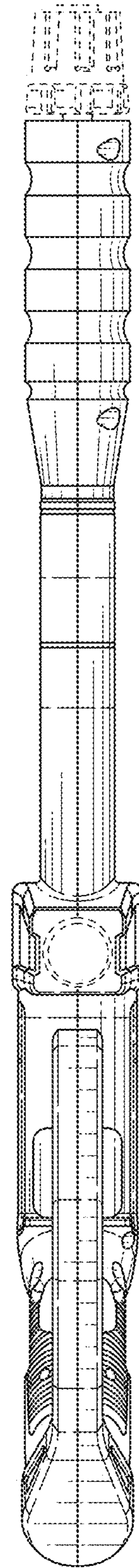


FIG. 10