



US00D942587S

(12) **United States Design Patent** (10) **Patent No.:** **US D942,587 S**  
**Urry** (45) **Date of Patent:** **\*\* Feb. 1, 2022**

(54) **SPRAY NOZZLE BODY**

(71) Applicant: **Orbit Irrigation Products, LLC**, North Salt Lake, UT (US)

(72) Inventor: **Andrew Mark Urry**, Riverton, UT (US)

(73) Assignee: **Orbit Irrigation Products, LLC**, North Salt Lake, UT (US)

(\*\*) Term: **15 Years**

(21) Appl. No.: **29/735,697**

(22) Filed: **May 22, 2020**

(51) **LOC (13) Cl.** ..... **23-01**

(52) **U.S. Cl.**  
USPC ..... **D23/223**

(58) **Field of Classification Search**  
USPC ..... D23/213, 214, 215, 222, 223, 224, 226, 223/229, 230  
CPC ..... A61H 9/0021; A61H 33/00; B05B 1/00; B05B 1/14; B05B 1/185; B05B 1/08; B05B 1/02; B05B 1/26; B05B 12/002; B05B 1/18; B05B 9/01  
See application file for complete search history.

(56) **References Cited**

**U.S. PATENT DOCUMENTS**

D369,207 S \* 4/1996 Wang ..... D23/223  
D434,106 S \* 11/2000 Hsin-Fa ..... D23/223  
(Continued)

**OTHER PUBLICATIONS**

Solterra 56218 8-Pattern Garden Hose Nozzle, Jan. 16, 2020, Amazon.com, Sep. 8, 2021, URL: <https://www.amazon.com/Solterra-56218-8-Pattern-Garden-Control/dp/B07RJ6537W> (Year: 2020).\*

(Continued)

*Primary Examiner* — Jack Reickel

*Assistant Examiner* — Keith J Wilson

(74) *Attorney, Agent, or Firm* — Austin Rapp

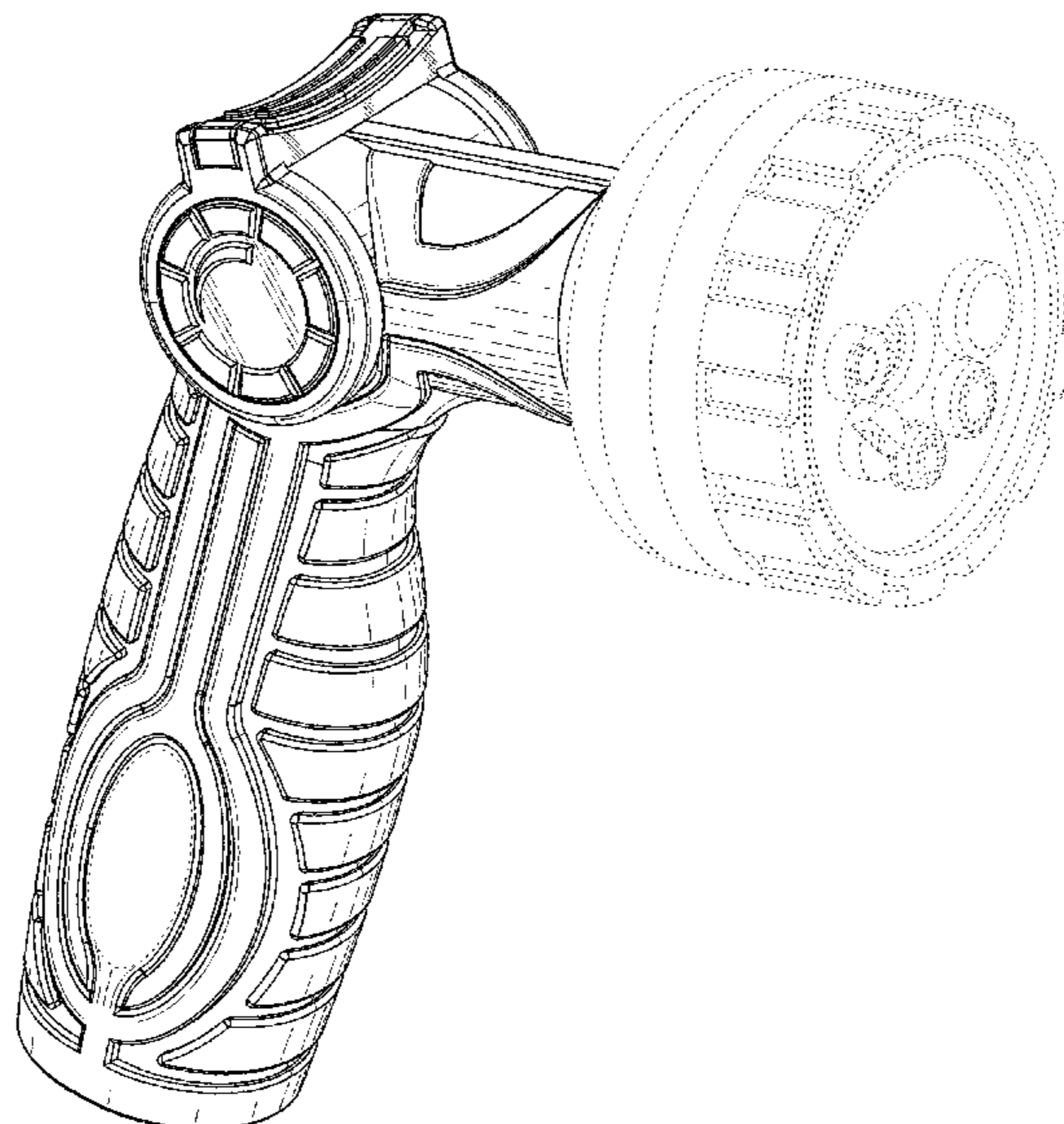
(57) **CLAIM**

The ornamental design for a spray nozzle, as shown and described.

**DESCRIPTION**

FIG. 1 is a first top perspective view of a spray nozzle according to my new design;  
FIG. 2 is a second top perspective view of the spray nozzle shown in FIG. 1;  
FIG. 3 is a first bottom perspective view of the spray nozzle shown in FIG. 1;  
FIG. 4 is a second bottom perspective view of the spray nozzle shown in FIG. 1;  
FIG. 5 is a front side elevational view of the spray nozzle shown in FIG. 1;  
FIG. 6 is a rear side elevational view of the spray nozzle shown in FIG. 1;  
FIG. 7 is a top side view of the spray nozzle shown in FIG. 1;  
FIG. 8 is a bottom side view of the spray nozzle shown in FIG. 1;  
FIG. 9 is a right side elevational view of the spray nozzle shown in FIG. 1;  
FIG. 10 is a left side elevational view of the spray nozzle shown in FIG. 1;  
FIG. 11 is a left side elevational view of the spray nozzle shown in FIG. 1 in a first alternative position;  
FIG. 12 is a left side elevational view of the spray nozzle shown in FIG. 1 in a second alternative position; and,  
FIG. 13 is a top perspective view of the spray nozzle shown in FIG. 1 shown with an alternative spray nozzle head.  
The broken lines in the figures are included for the purpose of illustrating unclaimed portions of the spray nozzle and form no part of the claimed design.

**1 Claim, 13 Drawing Sheets**



(56)

References Cited

U.S. PATENT DOCUMENTS

6,367,716 B1 \* 4/2002 Wang ..... B05B 1/3026  
 239/525  
 D564,065 S \* 3/2008 Yu ..... D23/223  
 D576,252 S \* 9/2008 Lo ..... D23/223  
 D584,380 S \* 1/2009 Cheng ..... D23/223  
 D584,381 S \* 1/2009 Hung ..... D23/223  
 D585,109 S \* 1/2009 Cheng ..... D23/223  
 D604,390 S \* 11/2009 Cheng ..... D23/223  
 D650,042 S \* 12/2011 Nies ..... D23/223  
 D713,934 S \* 9/2014 Mammen ..... D23/226  
 D726,872 S 4/2015 Thurgood  
 D749,696 S 2/2016 Thurgood  
 D760,349 S 6/2016 Chen  
 D767,091 S 9/2016 Chen  
 D767,094 S 9/2016 Chen  
 D768,817 S \* 10/2016 Chen ..... D23/223  
 D779,036 S 2/2017 Chen  
 D792,944 S \* 7/2017 Cheng ..... D23/224  
 D792,945 S \* 7/2017 Cheng ..... D23/224  
 D792,947 S \* 7/2017 Hung ..... D23/226  
 9,707,573 B1 7/2017 Huang  
 9,770,731 B1 9/2017 Chen  
 D800,255 S \* 10/2017 Chen ..... D23/226  
 D819,783 S 6/2018 Urry  
 D820,952 S 6/2018 Chen  
 D820,953 S 6/2018 Chen  
 D821,544 S 6/2018 Urry  
 D822,160 S \* 7/2018 Urry ..... D23/223  
 D824,492 S 7/2018 Chen

10,213,800 B2 2/2019 Chen  
 D846,072 S \* 4/2019 Pease ..... D23/223  
 D892,271 S 8/2020 Urry  
 D892,272 S 8/2020 Urry  
 D924,022 S \* 7/2021 Glover ..... D8/2

OTHER PUBLICATIONS

Green Mount Garden Hose Nozzle, May 9, 2020, Amazon.com, Sep. 8, 2021, URL: <https://www.amazon.com/dp/B08RRVGQ8G> (Year: 2020).\*

Orbit Max 26701 Thumb Control Adjustable Nozzle, Dec. 13, 2018, Amazon.com, Sep. 8, 2021, URL: <https://www.amazon.com/Orbit-Max-Control-Adjustable-Nozzle/dp/B07L39M8XS> (Year: 2018).\*

Orbit Irrigation Products, LLC, Product No. 27823 shown in attachment 1, apparently sold or offered for sale at least by Mar. 31, 2016.

Orbit Irrigation Products, LLC, Product No. 58993 shown in attachment 2, apparently sold or offered for sale at least by Feb. 26, 2016.

Melnor, Inc., Product No. T301 shown in attachment 3, apparently sold or offered for sale at least by Apr. 1, 2013.

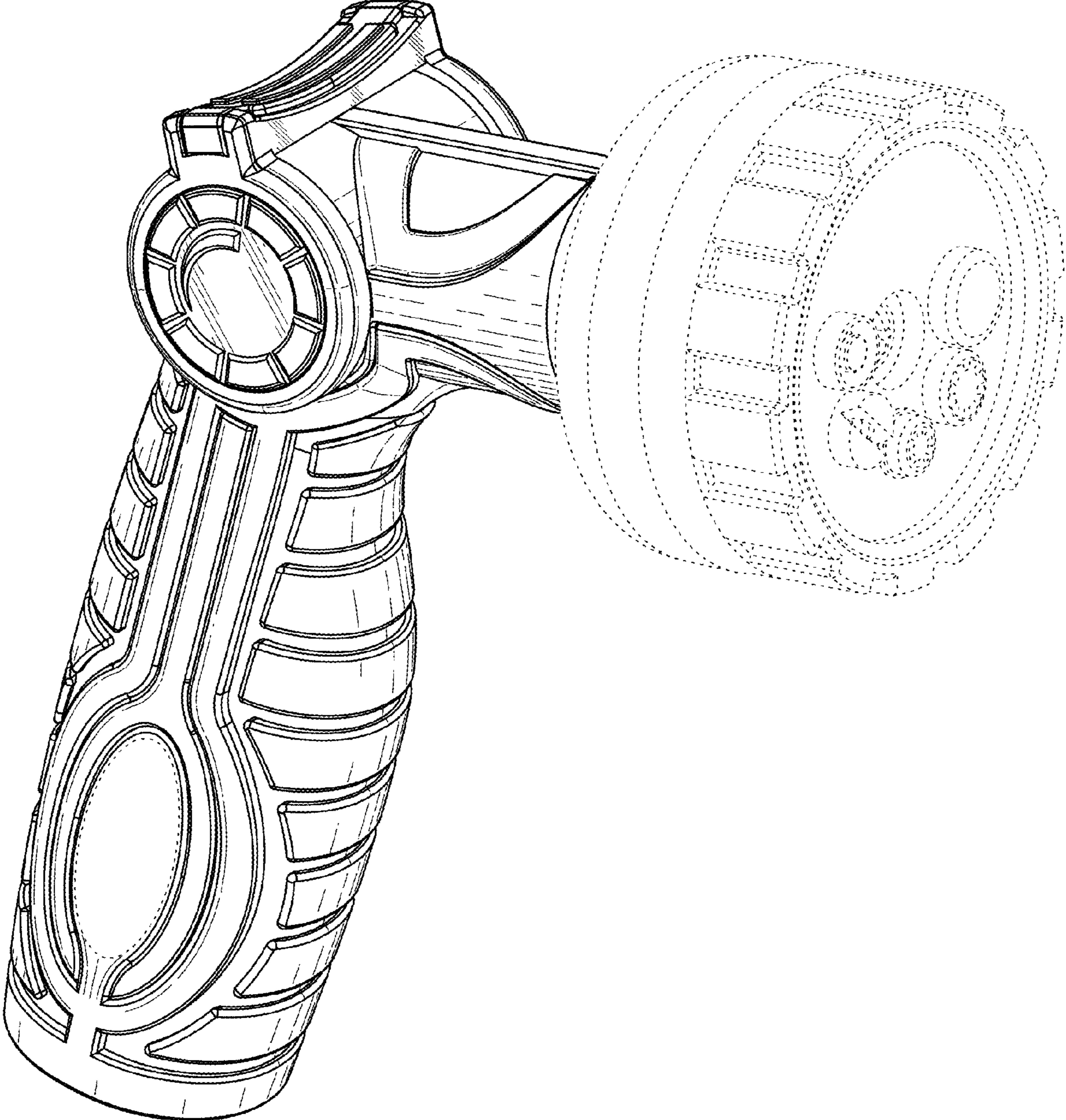
Melnor, Inc., Product No. T300 shown in attachment 4, apparently sold or offered for sale at least by Apr. 1, 2013.

Flexon (Brand Name) Product No. FL-1607-8, shown in Attachment 5, apparently sold or offered for sale at least by Jun. 1, 2011.

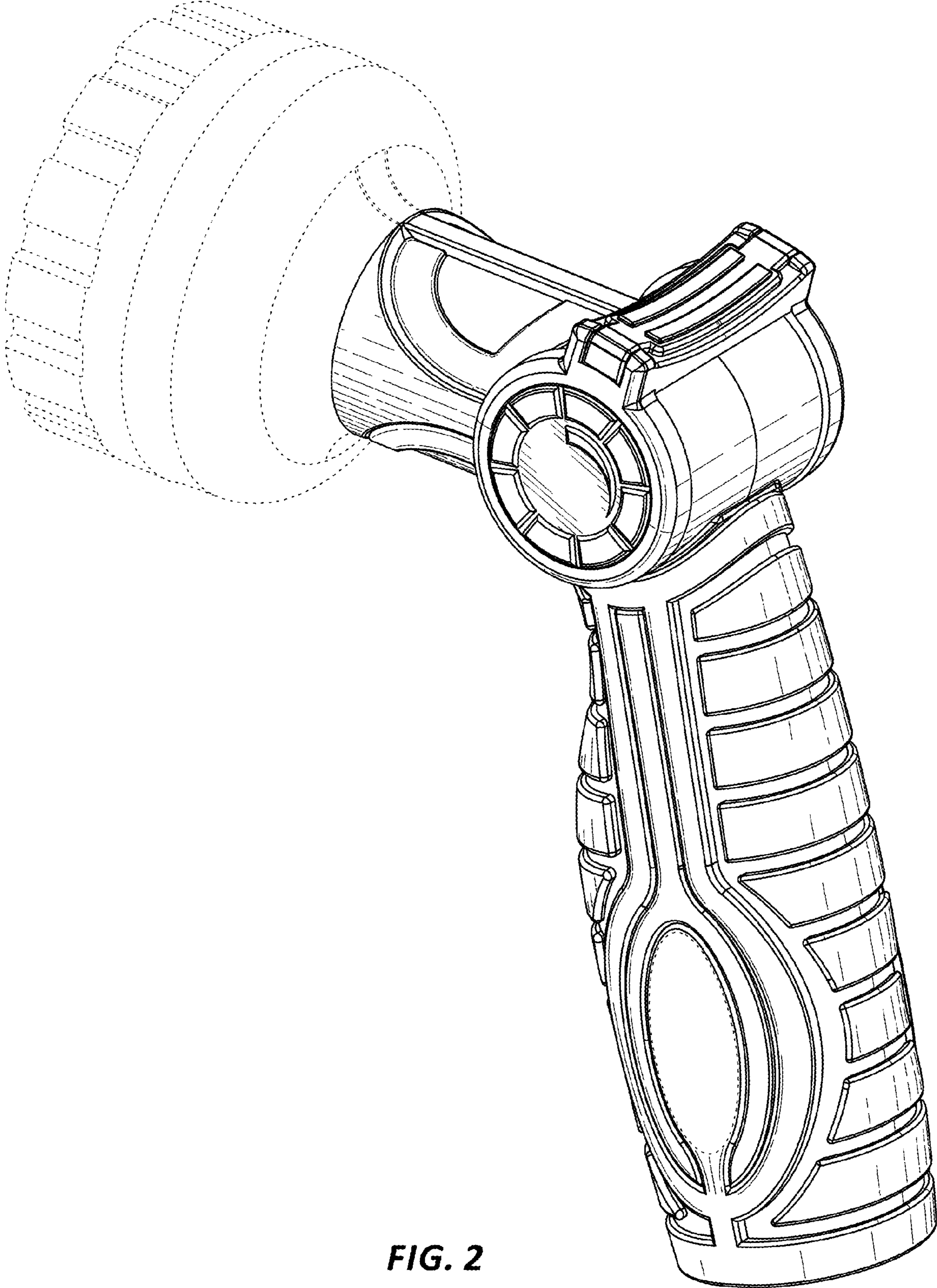
Gilmour Ltd., Product No. 410GWT, shown in Attachment 6, apparently sold or offered for sale on or before Apr. 1, 2013.

\* cited by examiner



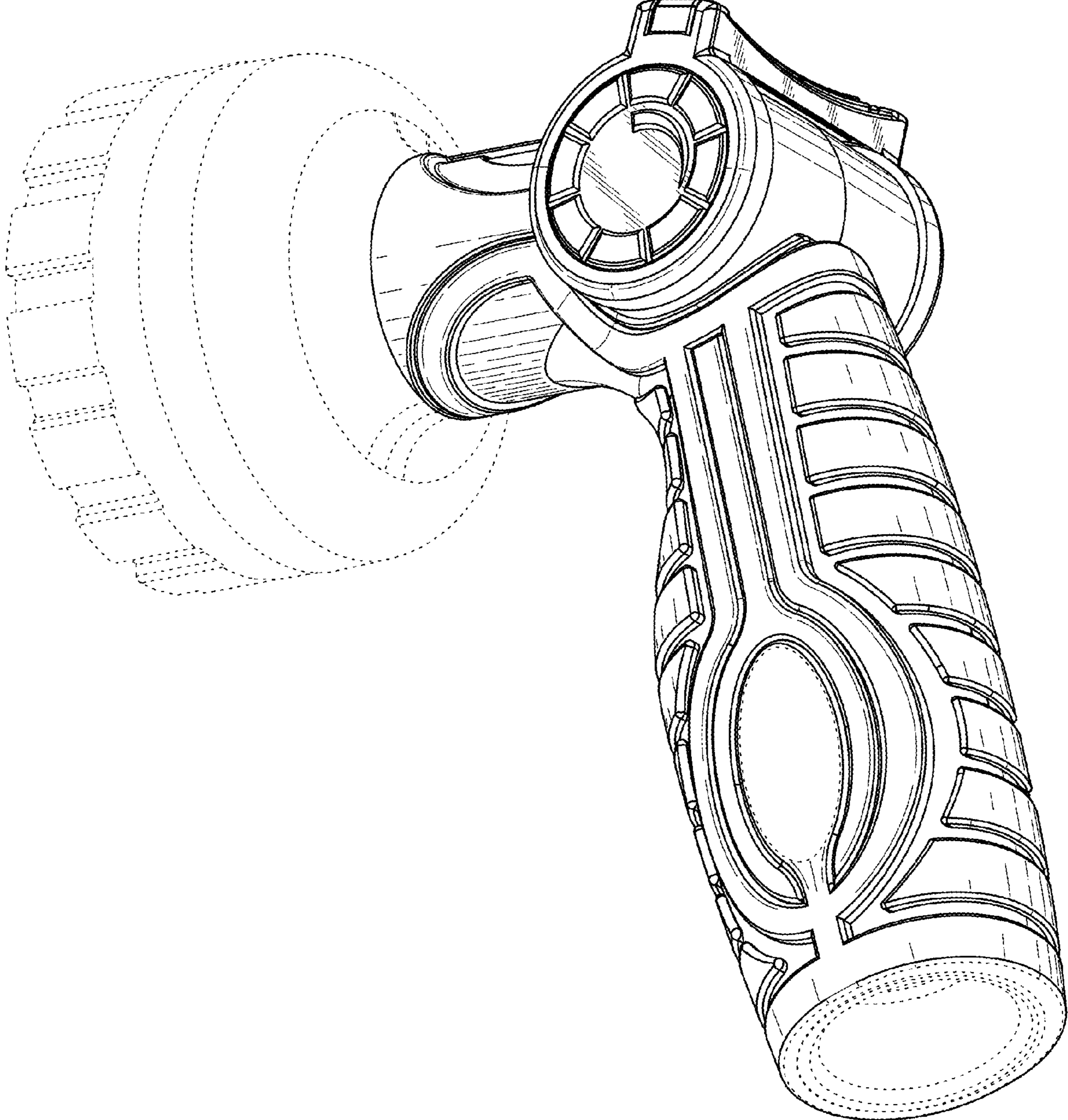


**FIG. 1**



**FIG. 2**





**FIG. 3**

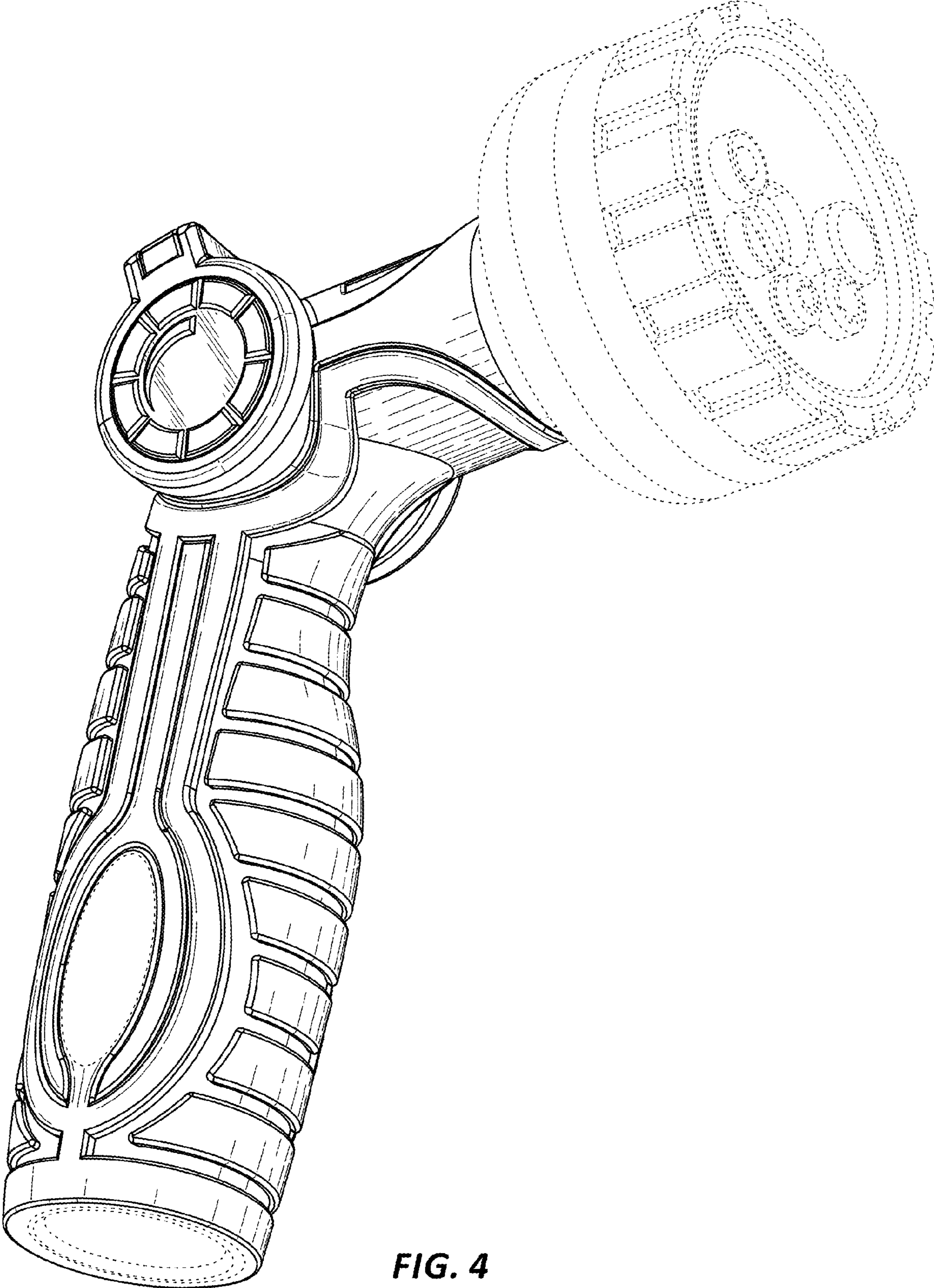
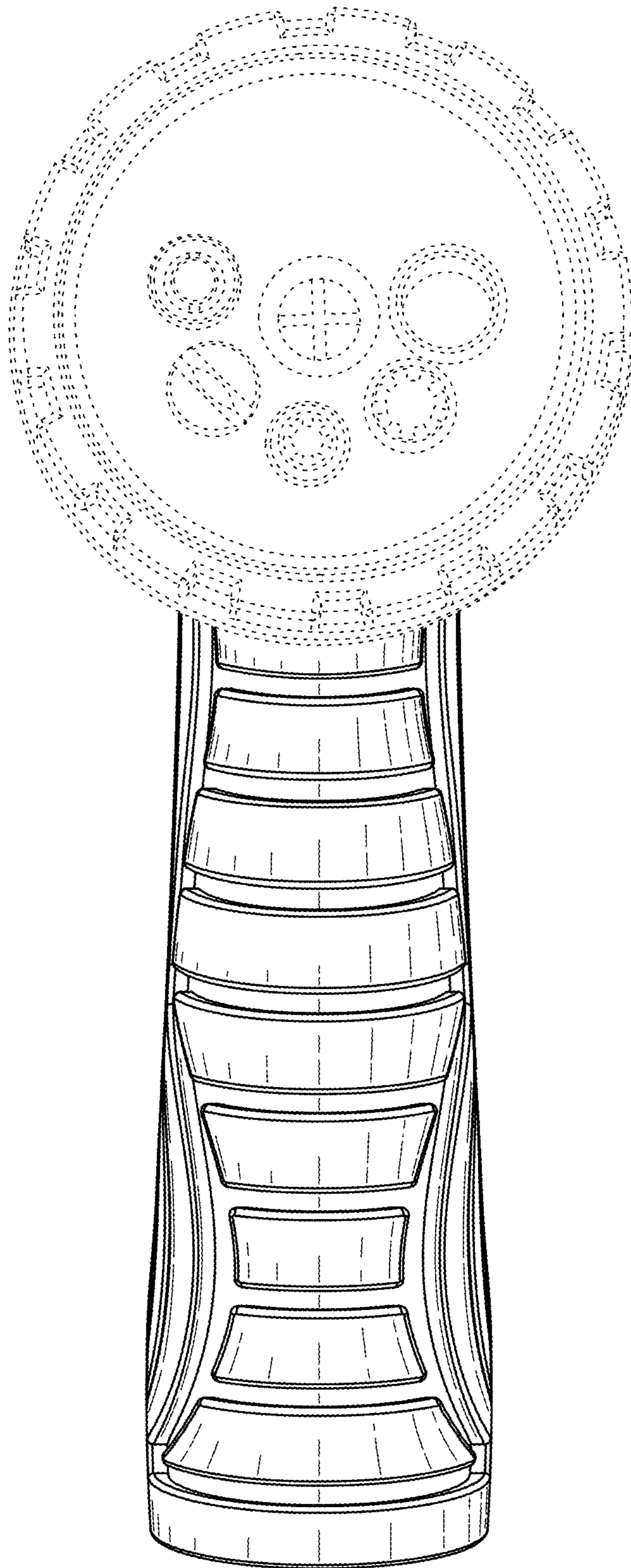
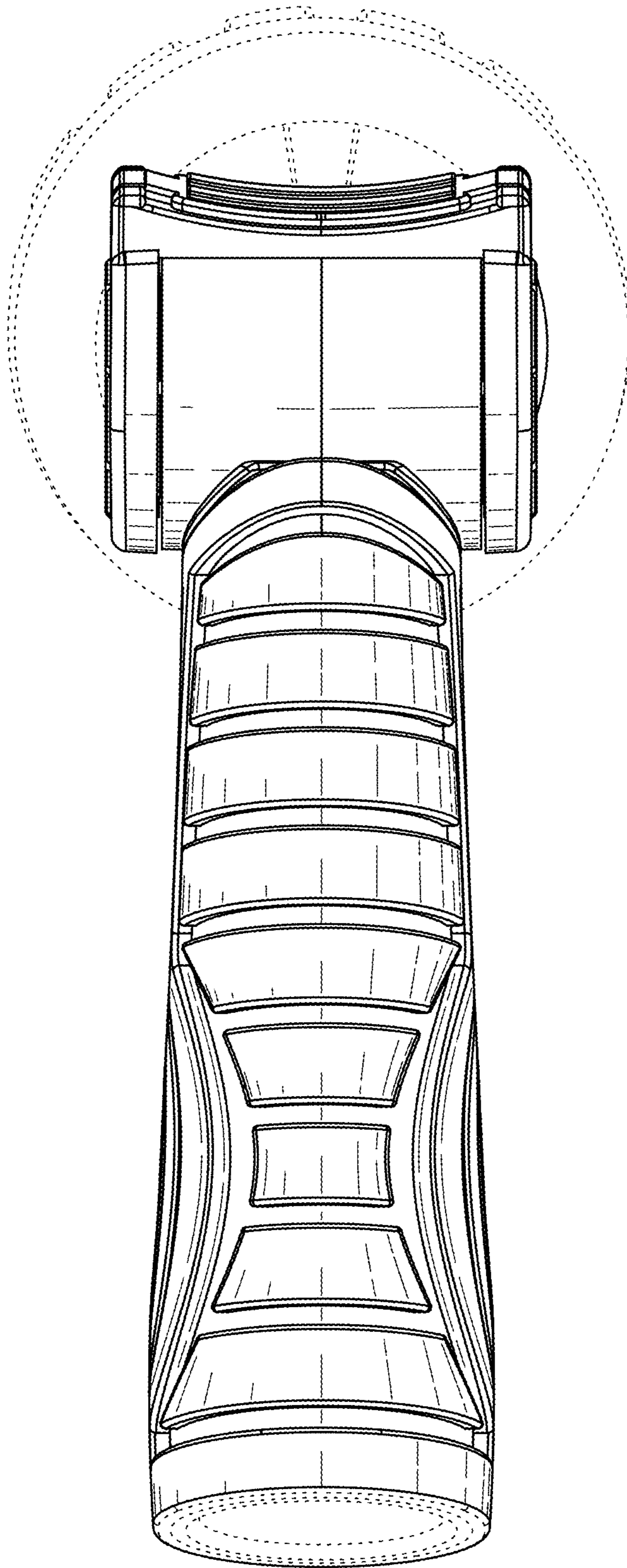


FIG. 4



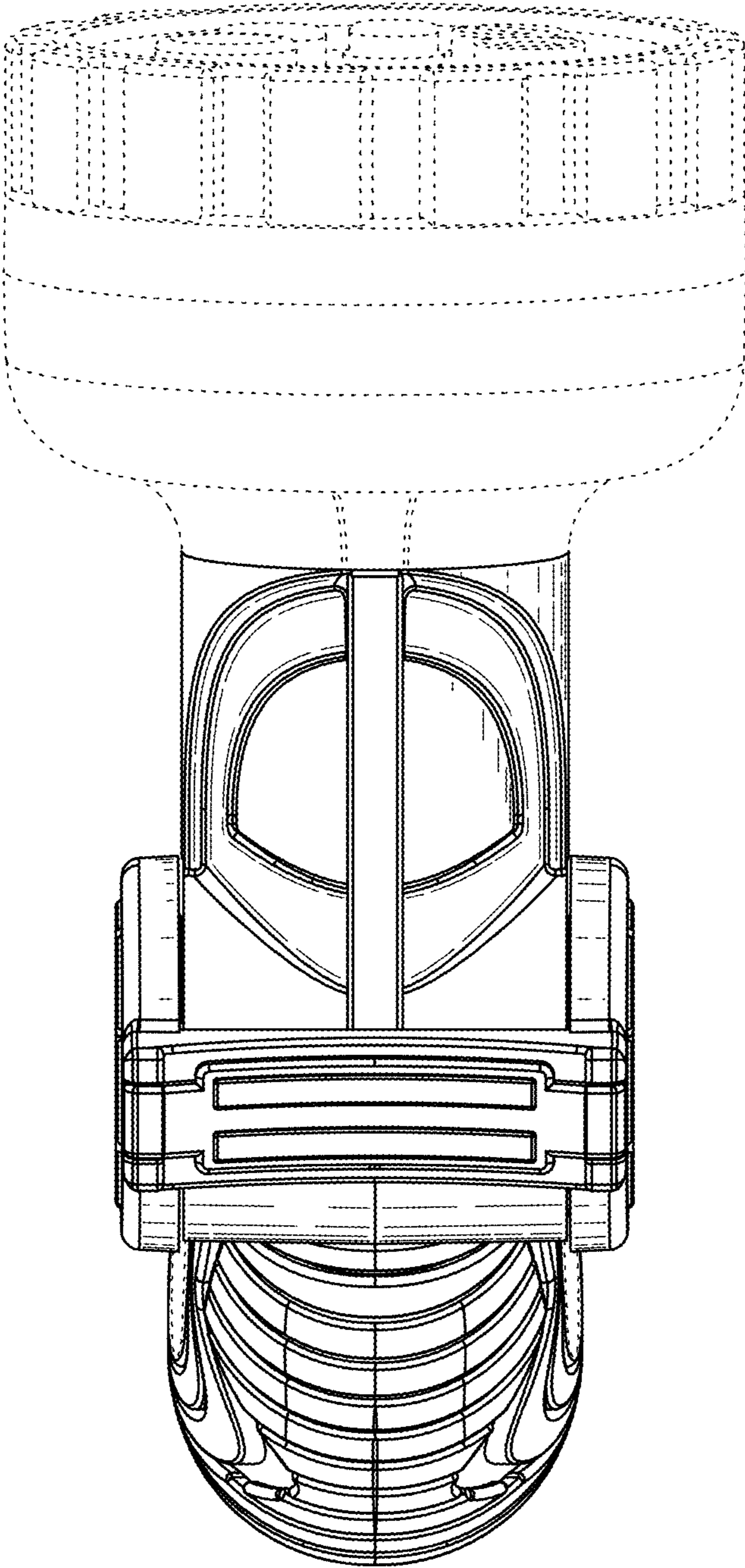
**FIG. 5**



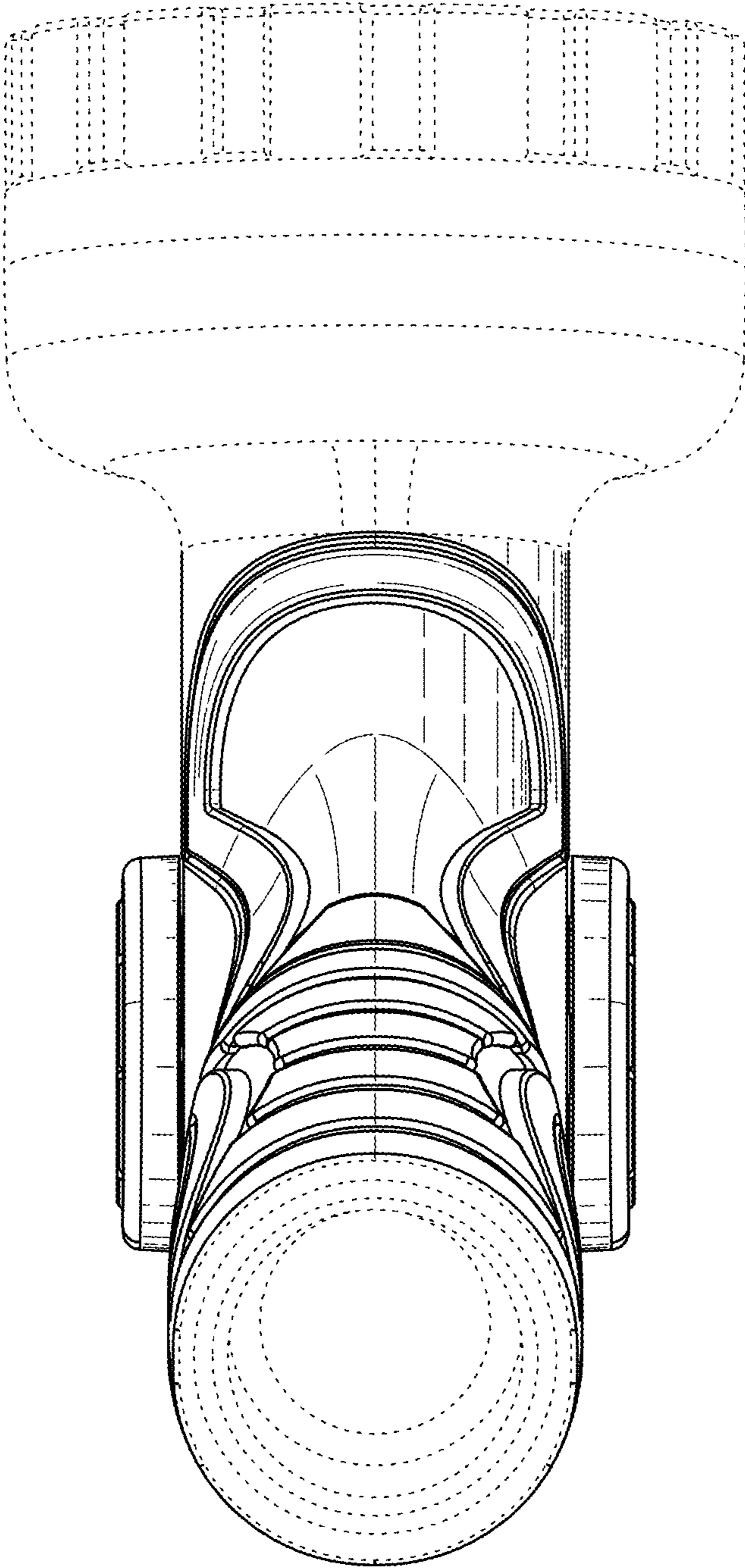


**FIG. 6**





**FIG. 7**



**FIG. 8**

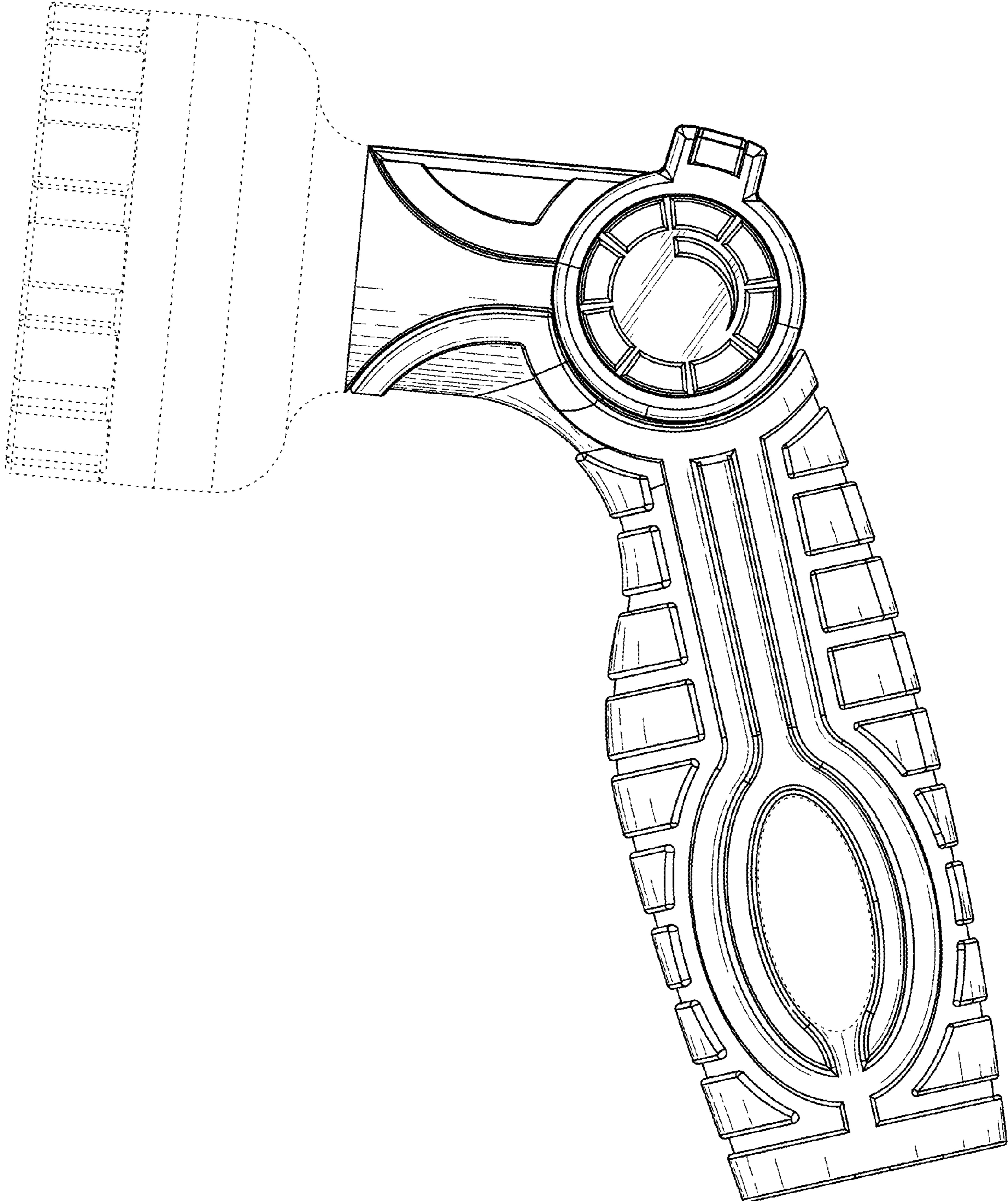
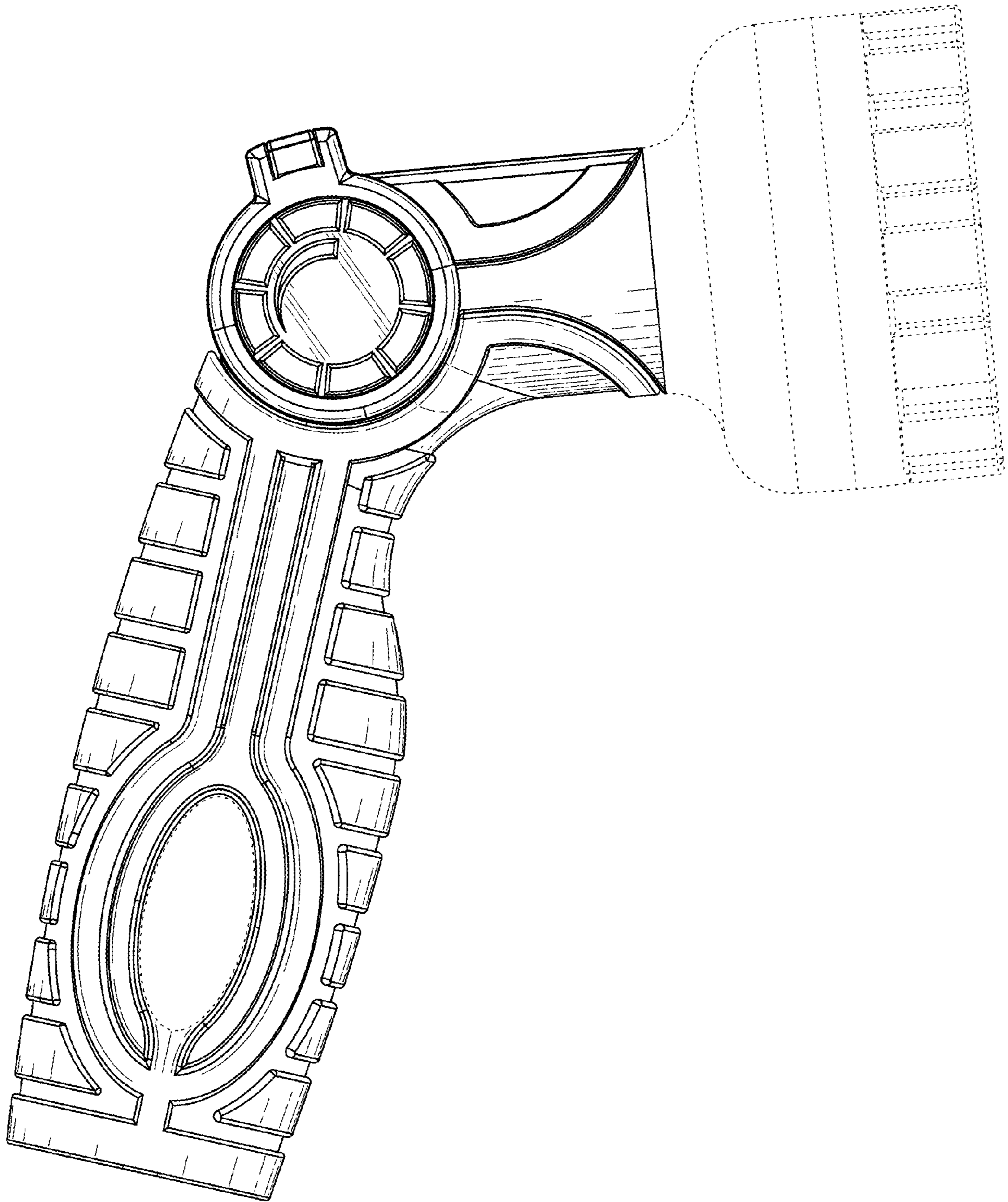
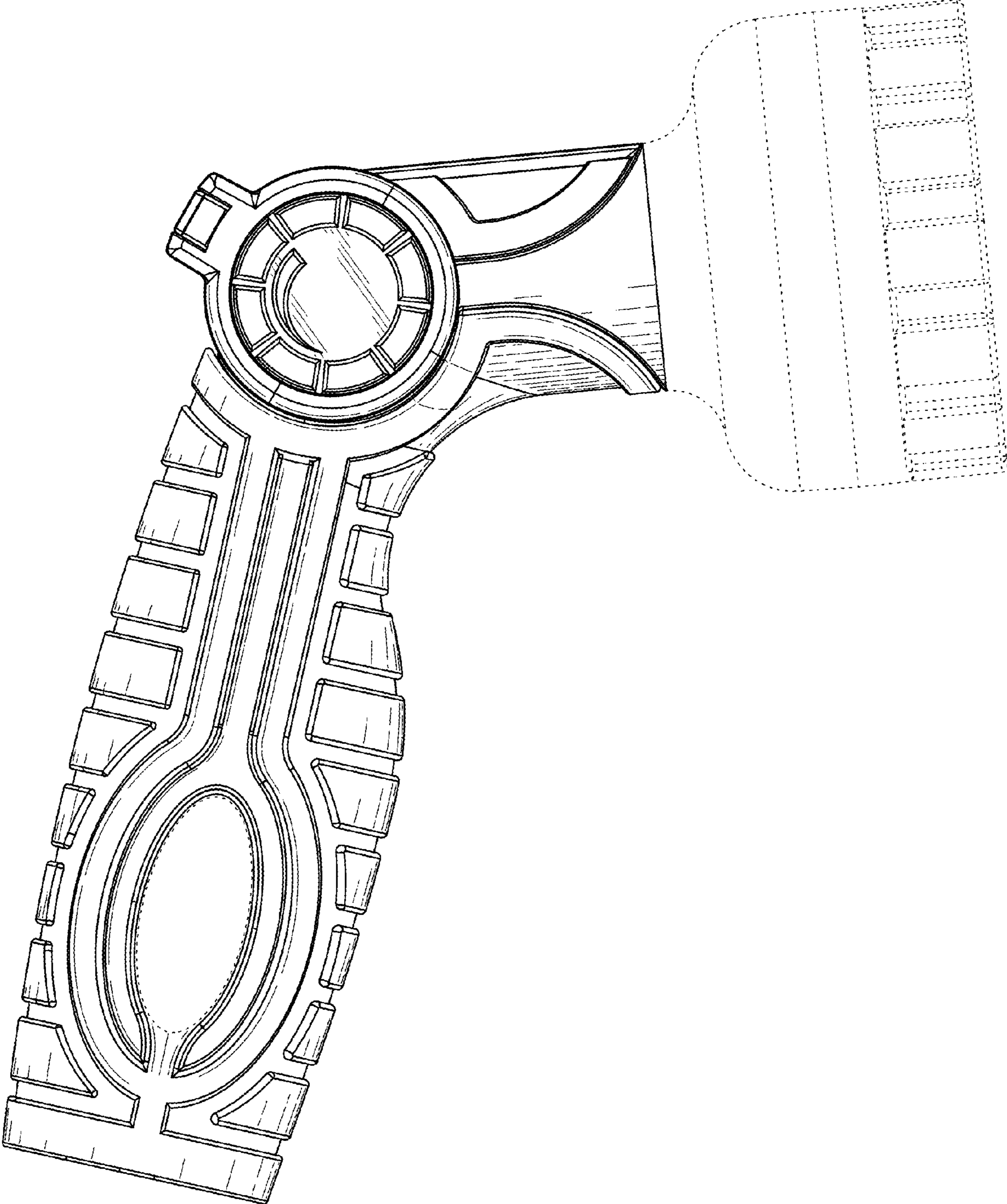


FIG. 9





**FIG. 10**



**FIG. 11**

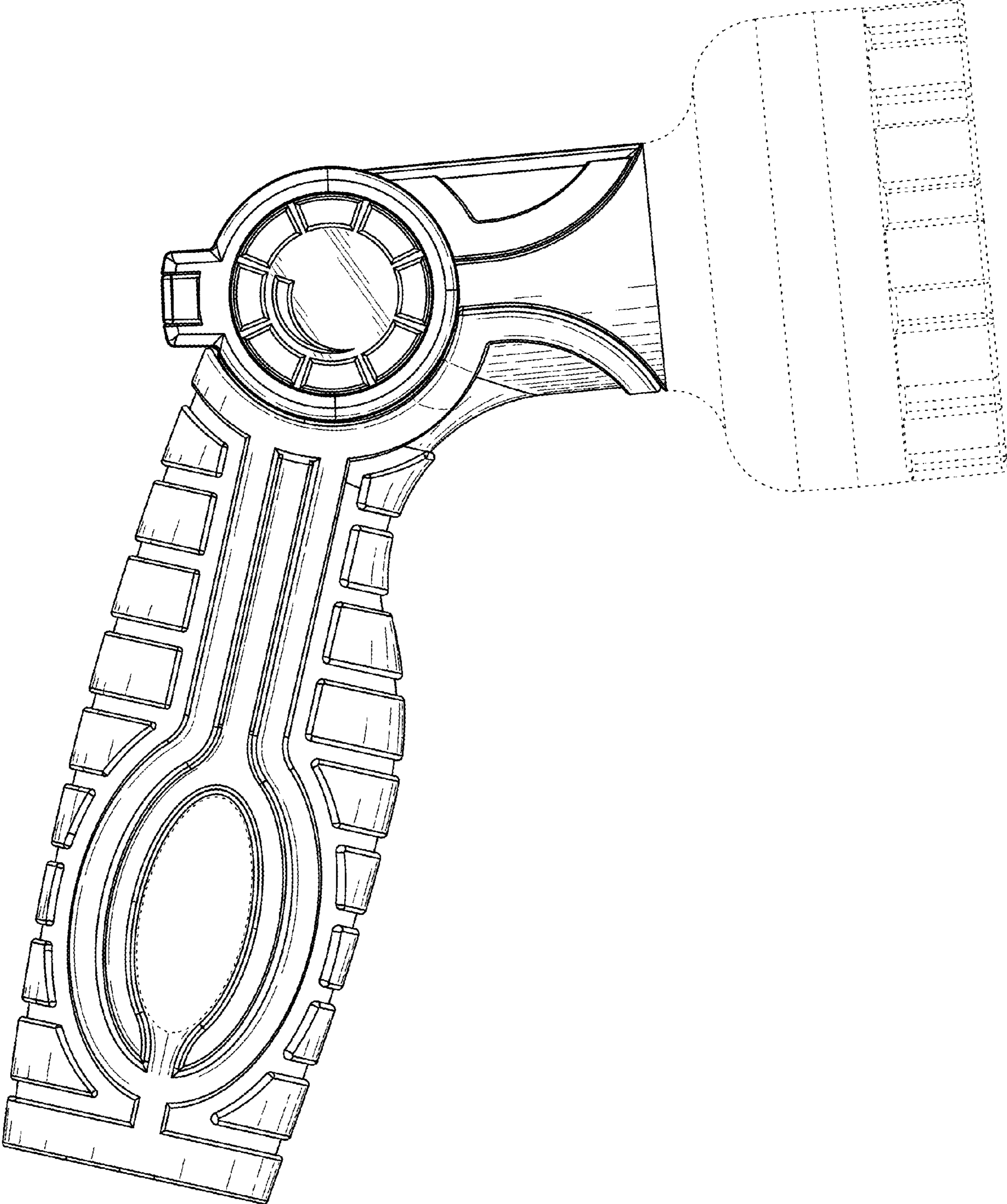
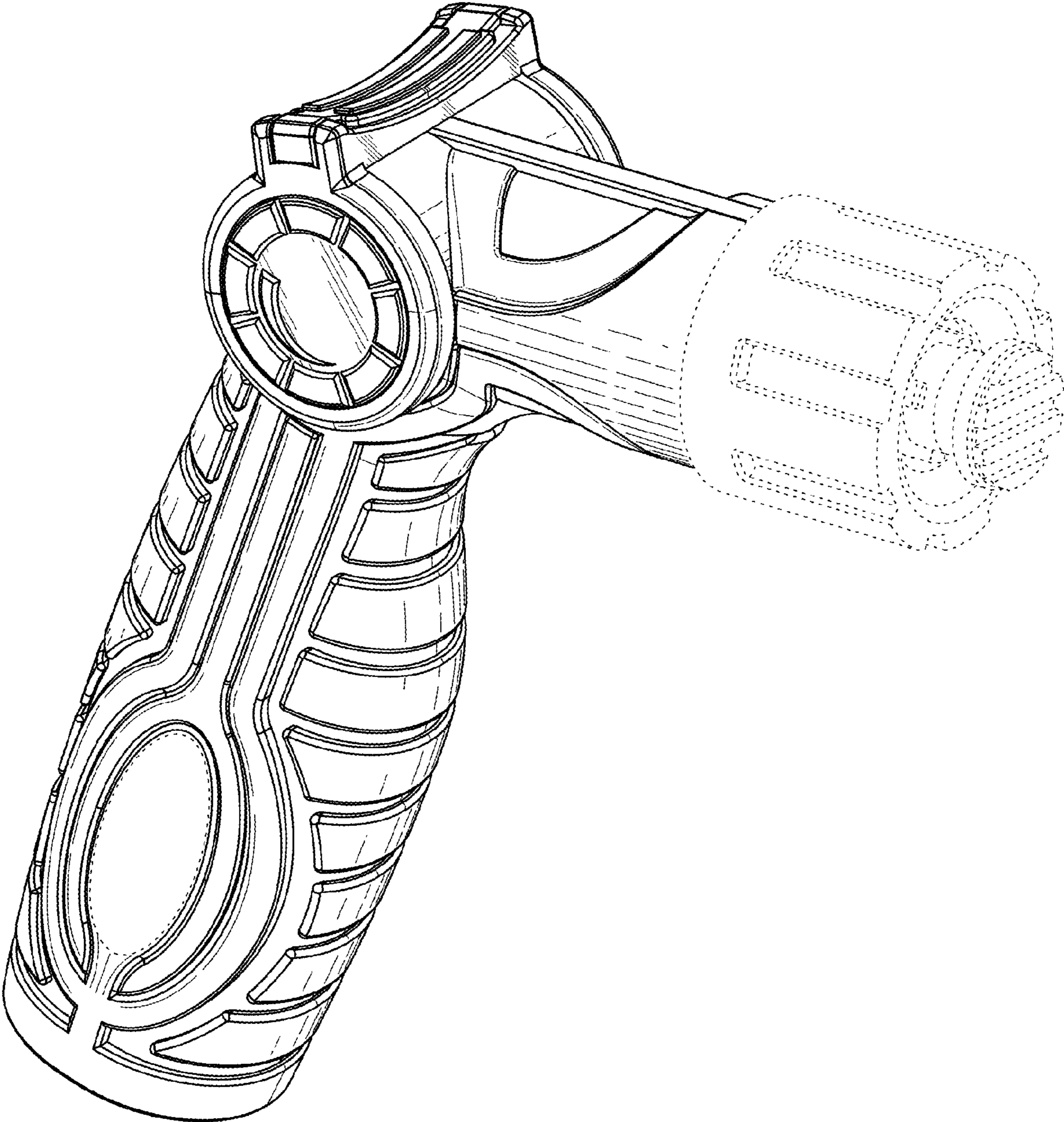


FIG. 12





**FIG. 13**

UNITED STATES PATENT AND TRADEMARK OFFICE  
**CERTIFICATE OF CORRECTION**

PATENT NO. : D942,587 S  
APPLICATION NO. : 29/735697  
DATED : February 1, 2022  
INVENTOR(S) : Urry

Page 1 of 1

It is certified that error appears in the above-identified patent and that said Letters Patent is hereby corrected as shown below:

On the Title Page

Item (54) Delete "SPRAY NOZZLE BODY" and insert --SPRAY NOZZLE--

Signed and Sealed this  
Twenty-fourth Day of May, 2022



Katherine Kelly Vidal  
*Director of the United States Patent and Trademark Office*