



US00D942586S

(12) **United States Design Patent**
Wharton

(10) **Patent No.:** **US D942,586 S**
(45) **Date of Patent:** **** Feb. 1, 2022**

(54) **FRONT BAND ON A SPRAY NOZZLE**

(71) Applicant: **Church & Dwight Co., Inc.**, Princeton, NJ (US)

(72) Inventor: **Jonathan Wharton**, Ewing, NJ (US)

(73) Assignee: **Church & Dwight Co., Inc.**, Princeton, NJ (US)

(**) Term: **15 Years**

(21) Appl. No.: **29/671,412**

(22) Filed: **Nov. 27, 2018**

(51) **LOC (13) Cl.** **23-01**

(52) **U.S. Cl.**
USPC **D23/213**

(58) **Field of Classification Search**
USPC D23/207, 213, 214, 215, 223, 224, 225,
D23/226, 229, 230

CPC A61H 9/0021; A61H 33/00; B05B 1/00;
B05B 1/14; B05B 1/185; B05B 1/08;
B05B 1/02; B05B 1/26; B05B 12/002;
B05B 1/18; B05B 9/01

See application file for complete search history.

(56) **References Cited**

U.S. PATENT DOCUMENTS

D31,892 S	11/1899	Downey	
692,722 A	2/1902	Seltzer	
D142,980 S	11/1945	Bery	
2,577,321 A	12/1951	Filger	
6,484,715 B1 *	11/2002	Ritsche A61M 15/0045 128/200.21

(Continued)

FOREIGN PATENT DOCUMENTS

AR	76896-0001	8/2007
CA	97660	1/2003

(Continued)

OTHER PUBLICATIONS

Pancake Batter Dispenser Pen, Dec. 23, 2013, Amazon.com, Sep. 17, 2021, URL: <https://www.amazon.com/Dispenser-Silicone-Measurement-Condiment-Exultimate/dp/B08PDPJD1D> (Year: 2013).*

(Continued)

Primary Examiner — Jack Reickel
Assistant Examiner — Keith J Wilson

(74) *Attorney, Agent, or Firm* — Church & Dwight Co., Inc.

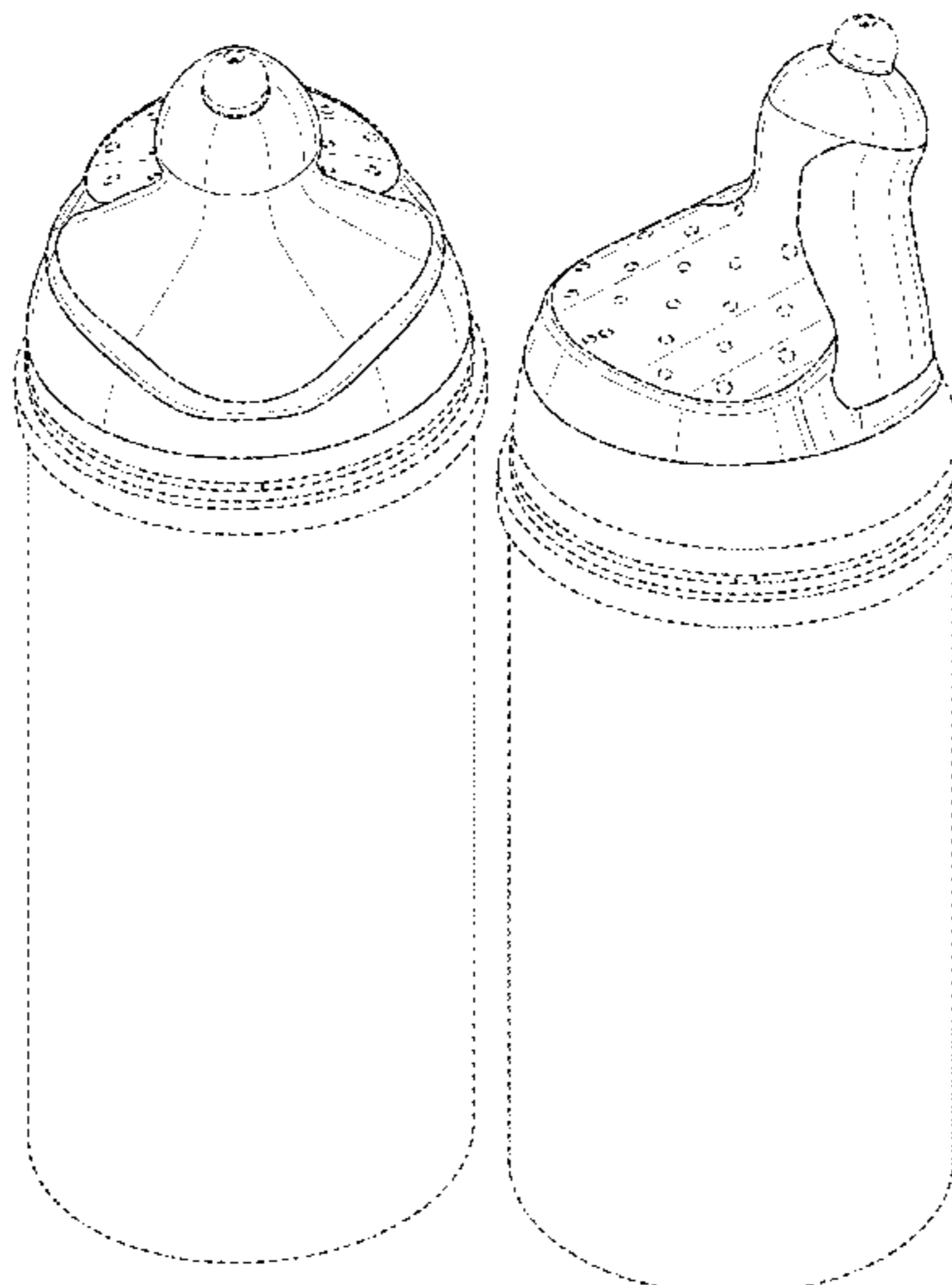
(57) **CLAIM**

The ornamental design for a front band on a spray nozzle, as shown and described.

DESCRIPTION

FIG. 1 is a top, front perspective view of the front band on a spray nozzle showing an embodiment of the new design; FIG. 2 is a top perspective view of the right side of the front band on a spray nozzle; FIG. 3 is a top, rear perspective view of the front band on a spray nozzle; FIG. 4 is a top perspective view of the left side of the front band on a spray nozzle; FIG. 5 is a front elevational view of the front band on a spray nozzle; FIG. 6 is an elevational view of the right side of the front band on a spray nozzle; FIG. 7 is a rear elevational view of the front band on a spray nozzle; FIG. 8 is an elevational view of the left side of the front band on a spray nozzle; and, FIG. 9 is a top plan view of the front band on a spray nozzle. The broken lines shown represent portions of a front band on a spray nozzle and form no part of the claimed design.

1 Claim, 9 Drawing Sheets



(56)

References Cited

U.S. PATENT DOCUMENTS

6,557,721 B2 5/2003 Yang
 6,644,305 B2 11/2003 MacRae et al.
 6,701,916 B2 3/2004 Mezzoli
 6,783,115 B1 8/2004 Yang
 D535,022 S 1/2007 Davies
 D542,910 S 5/2007 MacRae et al.
 7,306,121 B2 12/2007 Ophardt et al.
 7,513,396 B2 4/2009 Pardes et al.
 D599,902 S 9/2009 Lilienthal et al.
 D601,894 S 10/2009 Cho et al.
 D607,992 S * 1/2010 Lilienthal D24/110
 7,665,923 B2 2/2010 Py et al.
 D634,630 S 3/2011 Taylor
 D634,631 S 3/2011 Taylor
 D635,639 S * 4/2011 Dzwonczyk D23/206
 D636,885 S 4/2011 Py et al.
 7,959,597 B2 * 6/2011 Baker A61M 3/0216
 604/28
 D642,437 S 8/2011 Schofield et al.
 D642,866 S 8/2011 Schofield et al.
 D644,334 S 8/2011 Py
 D659,531 S 5/2012 Engel
 8,863,995 B2 10/2014 Stegeman
 D722,173 S 2/2015 Wilson
 D737,951 S * 9/2015 Lindsay D24/108
 D912,202 S * 3/2021 Takezawa D23/213
 D913,423 S * 3/2021 Chen D23/226
 D914,133 S * 3/2021 Tayh B05C 17/0052
 D23/213
 10,940,493 B2 * 3/2021 Levake B05B 1/00
 10,989,356 B2 * 4/2021 Smedresman B05B 1/00
 D920,471 S * 5/2021 Ross D23/213
 11,000,868 B2 * 5/2021 Burgess B05B 7/205
 D922,521 S * 6/2021 Ross D23/213
 11,033,912 B2 * 6/2021 Coutu B05B 1/185
 2008/0142009 A1 6/2008 Carrico et al.
 2008/0221507 A1 * 9/2008 Hoke A61M 1/0084
 604/28
 2009/0007909 A1 1/2009 Carrico
 2009/0048581 A1 2/2009 Sebban
 2009/0152306 A1 6/2009 Pardes et al.

2009/0218373 A1 9/2009 Pardes et al.
 2009/0236374 A1 9/2009 Pardes et al.
 2009/0253101 A1 10/2009 Arnold
 2011/0139826 A1 * 6/2011 Hair B65D 1/32
 222/211
 2011/0144588 A1 * 6/2011 Taylor A61M 3/0208
 604/151
 2011/0319840 A1 * 12/2011 Hair A61M 3/0262
 604/275
 2015/0014368 A1 * 1/2015 Greiner-Perth A61M 15/08
 222/402.13
 2018/0133415 A1 5/2018 Esteve

FOREIGN PATENT DOCUMENTS

CN	3581768	11/2006
CN	301587829	6/2011
DE	202004003295	6/2004
EP	1481734	5/2006
FR	941812-001	3/1994
GB	2055846	10/1996
GB	2055847	10/1996
IN	232551-0001	11/2010
JP	2002219173	8/2002
TR	637432-0001	5/2010
TR	637433-0001	5/2010
WO	D073687-001	11/2010
WO	D073687-002	11/2010

OTHER PUBLICATIONS

Automatic Measured Bottle Pourer Spout Bottle Pourer Liquor Bottle, Feb. 7, 2021, Amazon.com, Sep. 17, 2021, URL: <https://www.amazon.com/Automatic-Measured-Bottle-Pourers-Measure/dp/B08W47DYWY> (Year: 2021).*

Tovolo Pancake Pen, Assorted colors, Jan. 29, 2010, Amazon.com, Sep. 17, 2021, URL: <https://www.amazon.com/Tovolo-80-4784-Pancake-Pen/dp/B0036DD9OW> (Year: 2010).*

Aptargroup, Inc., "Product Data Sheet: Bag on Valve", http://www.aptar.com/docs/pharma-chc/bov_2012.pdf?sfvrsn=0; Downloaded from web on Dec. 12, 2013. US.

* cited by examiner

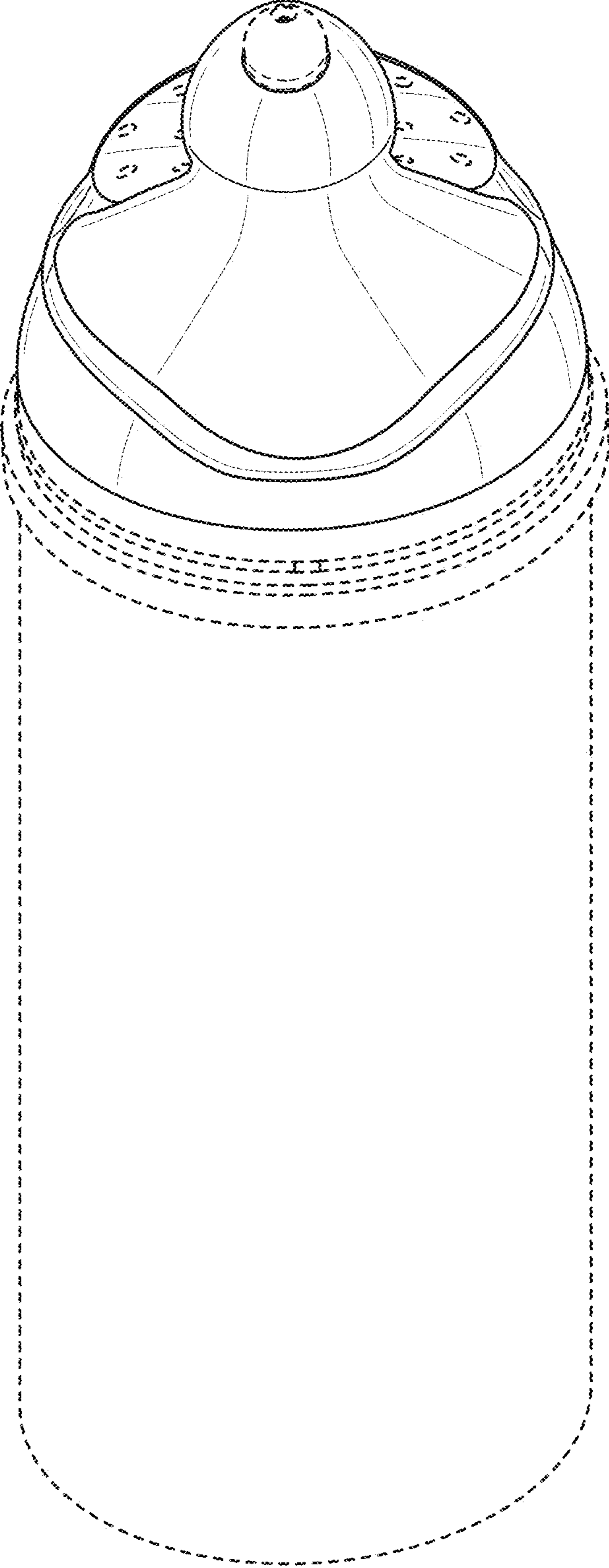


FIG. 1

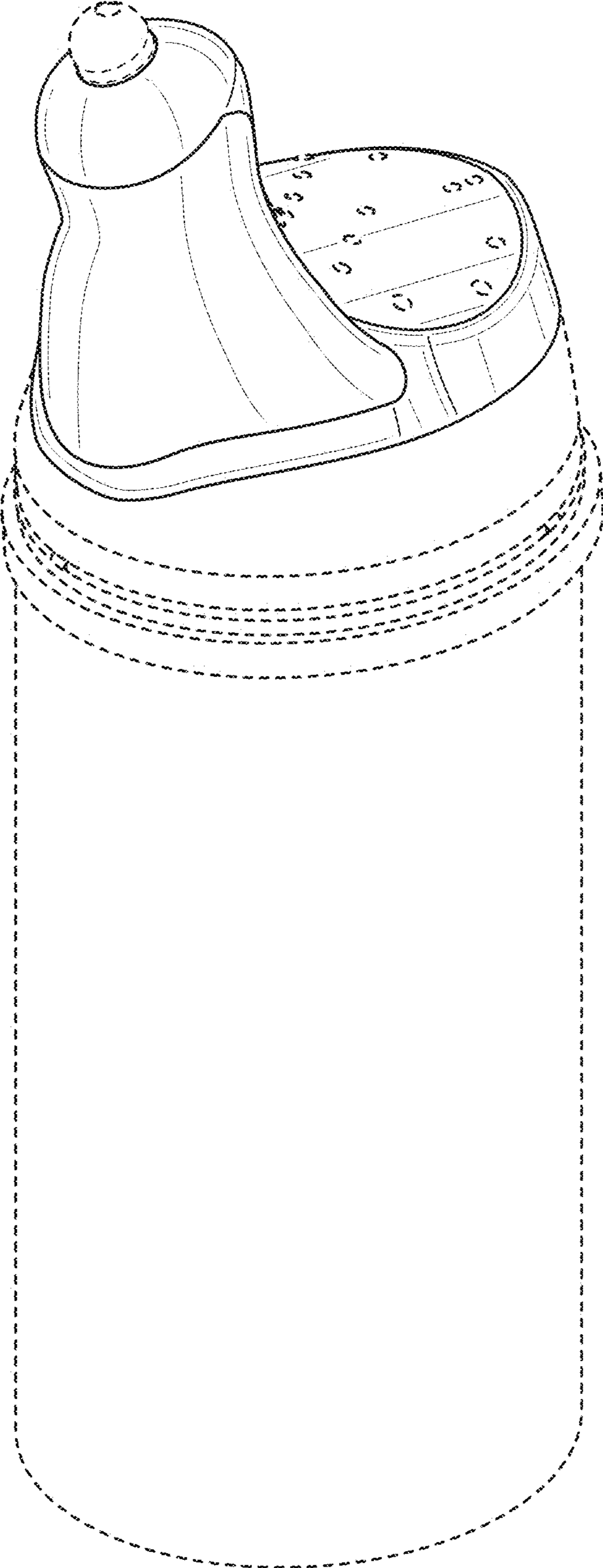


FIG. 2

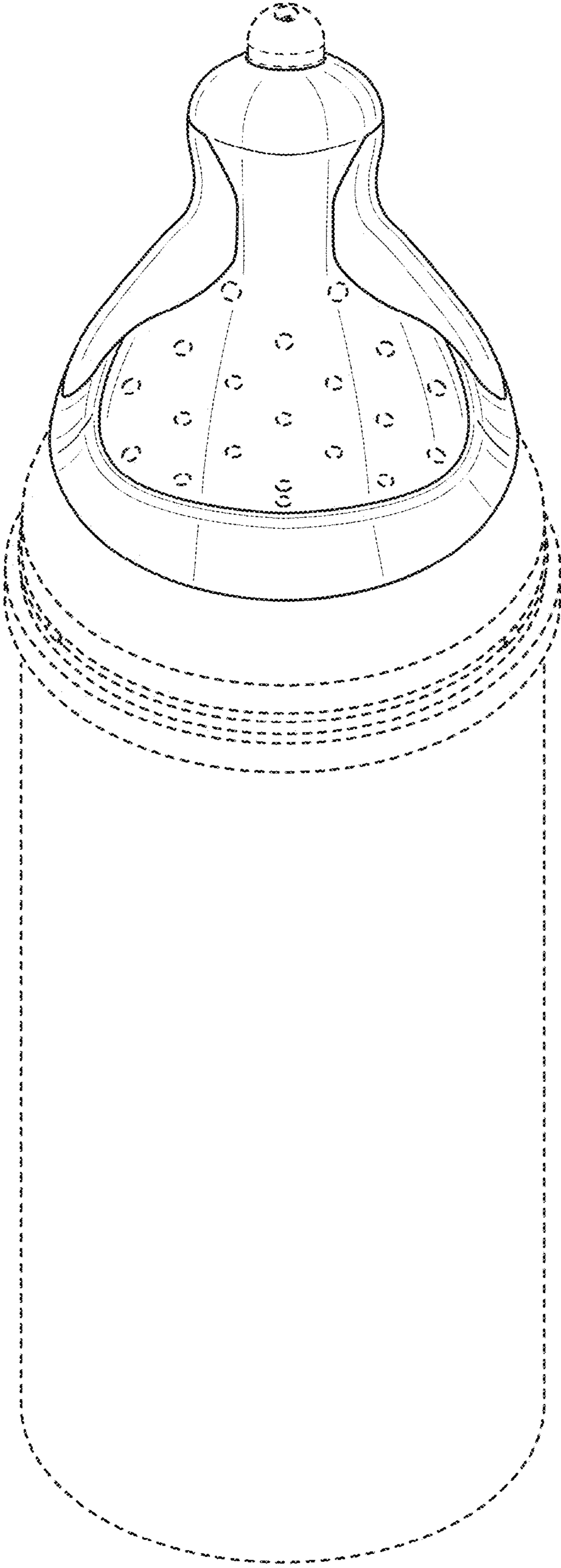


FIG. 3

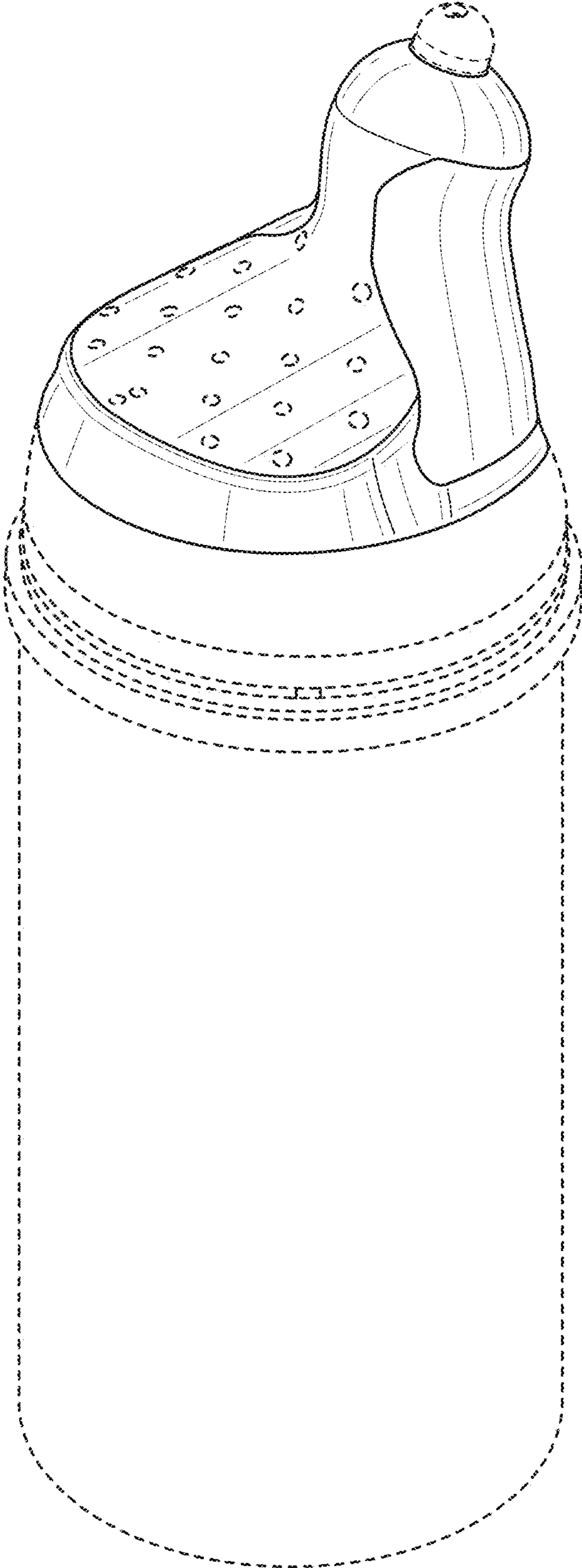


FIG. 4

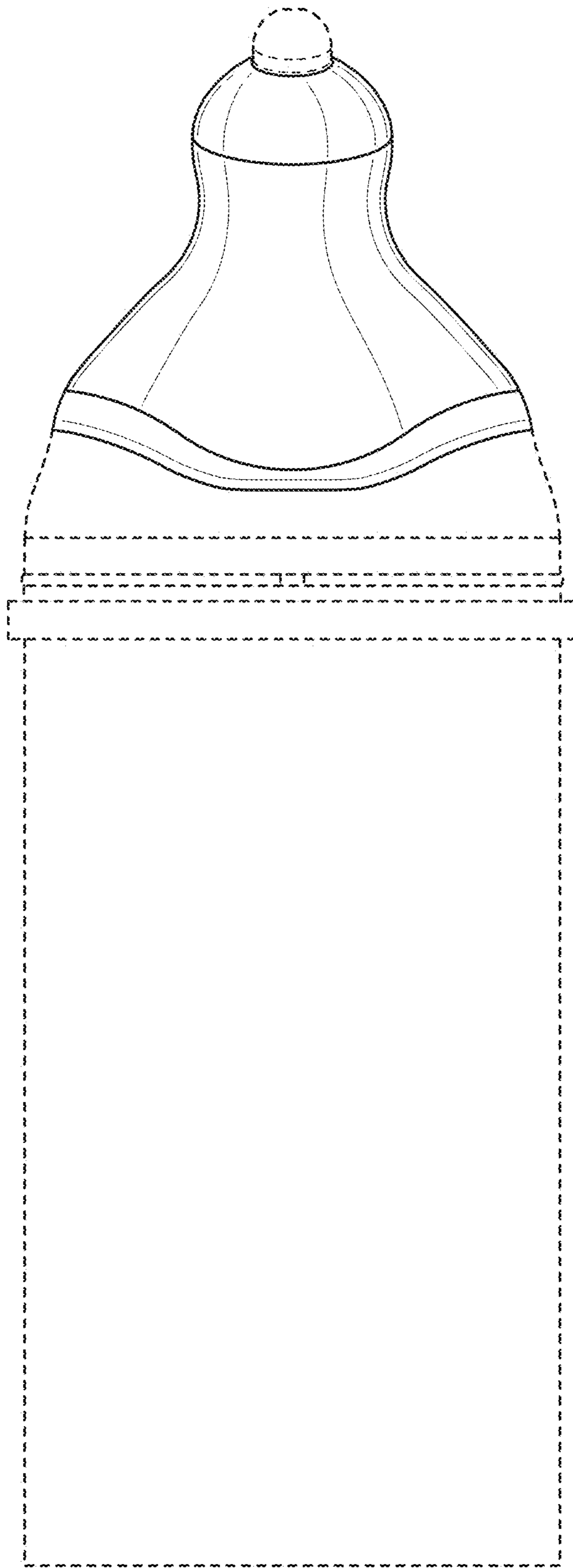


FIG. 5

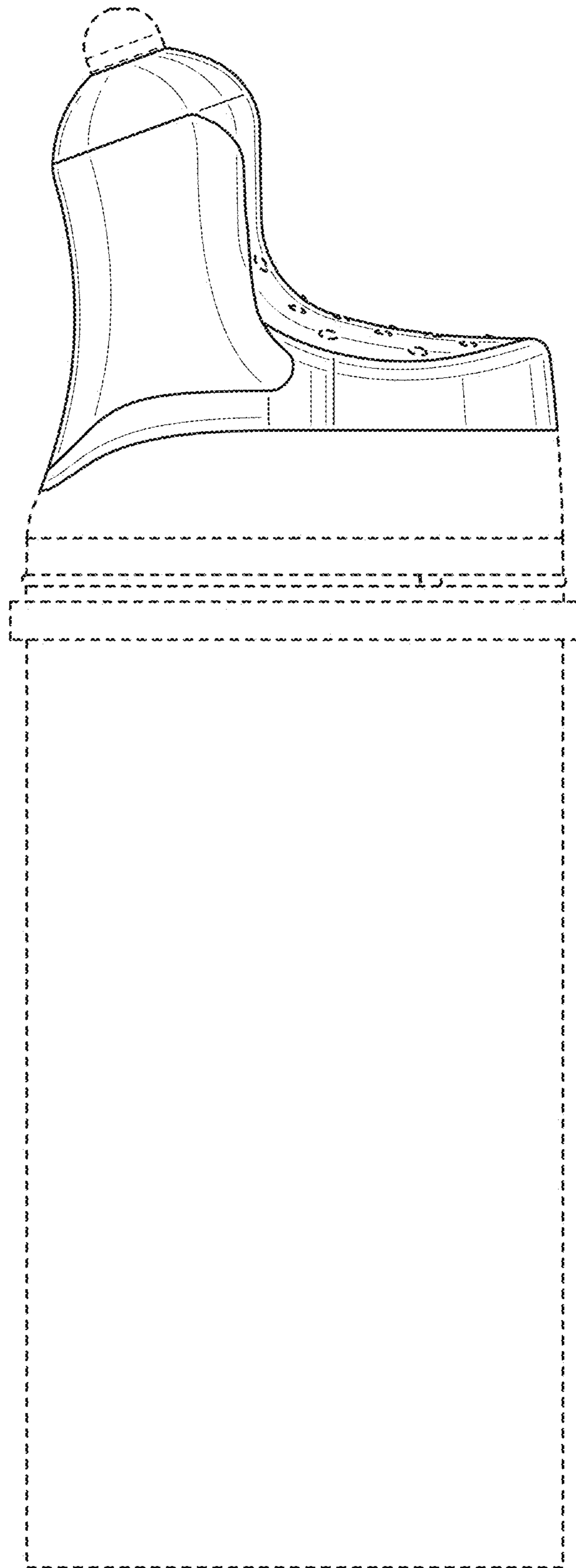


FIG. 6

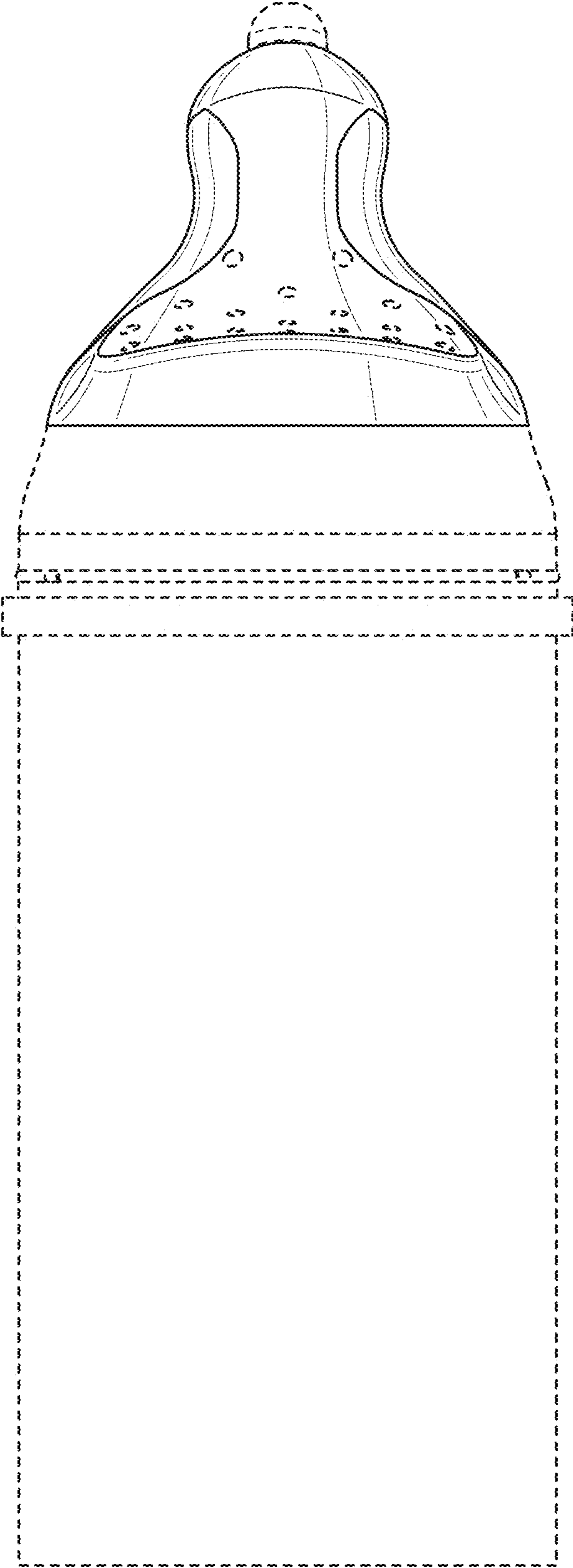


FIG. 7

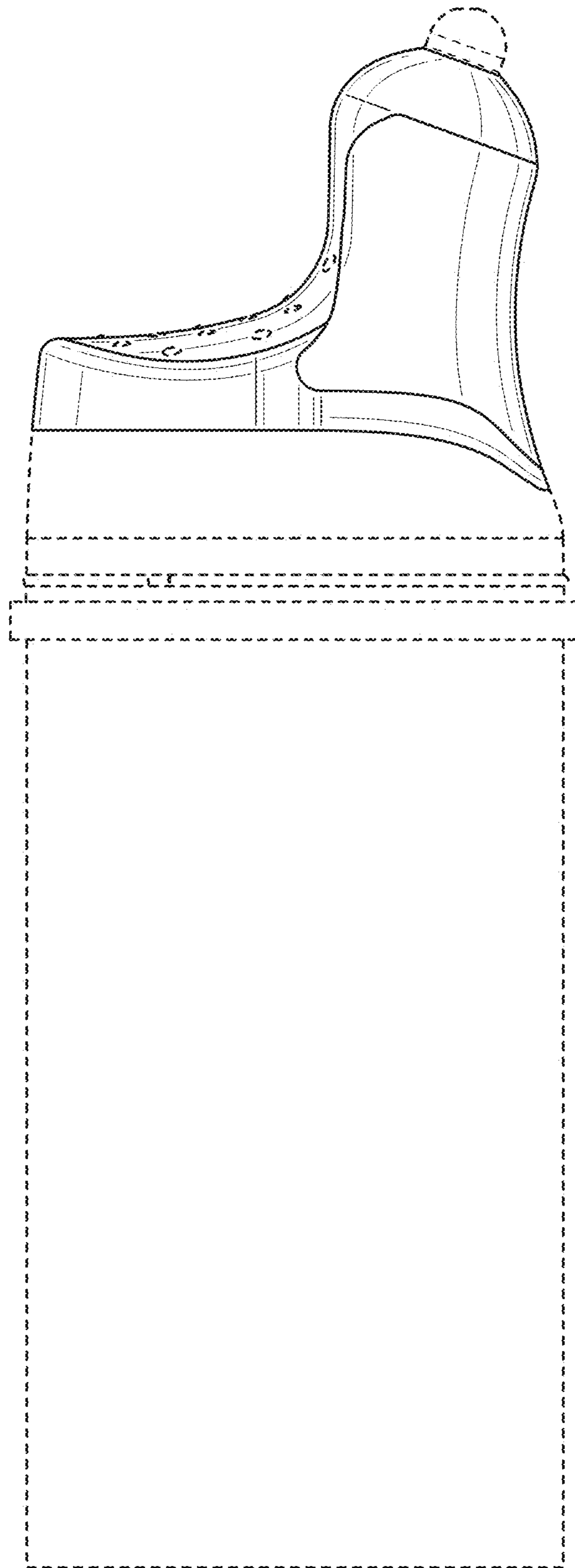


FIG. 8

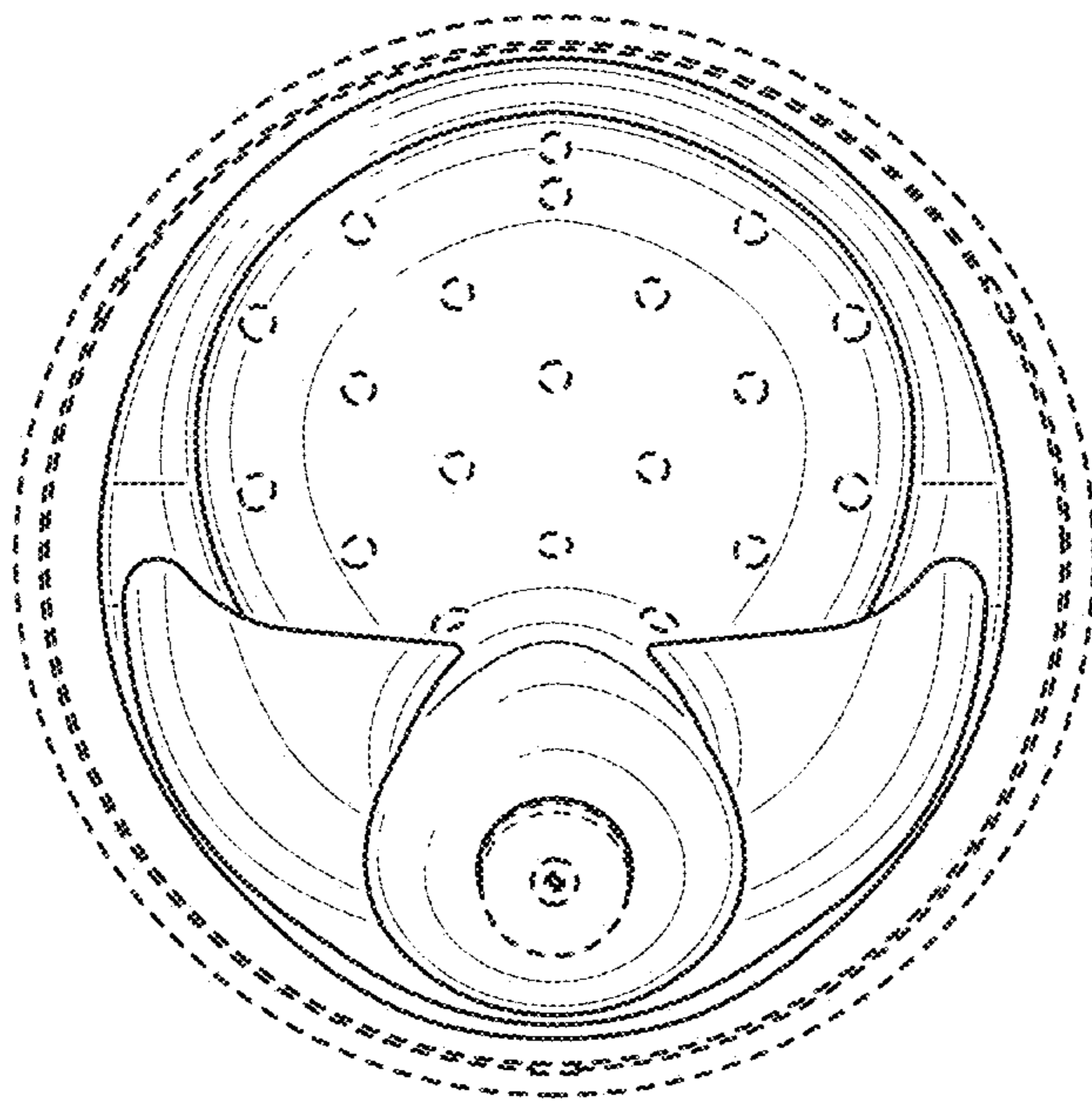


FIG. 9