



US00D942585S

(12) **United States Design Patent** (10) **Patent No.:** **US D942,585 S**
Yu (45) **Date of Patent:** **** Feb. 1, 2022**

(54) **WATERING CAN**

D800,248 S 10/2017 Hung et al.
D916,239 S * 4/2021 Li A01G 25/145
D23/212
2005/0051231 A1* 3/2005 Harding A01G 25/145
141/2

(71) Applicant: **Yang Yu**, Beijing (CN)

(72) Inventor: **Yang Yu**, Beijing (CN)

(**) Term: **15 Years**

(21) Appl. No.: **29/750,514**

(22) Filed: **Sep. 14, 2020**

(51) **LOC (13) Cl.** **08-05**

(52) **U.S. Cl.**
USPC **D23/212**

(58) **Field of Classification Search**
USPC D8/1-2; D9/738, 763-764; D23/202,
D23/211, 211.1, 211.2, 212-213
CPC A61H 9/0021; A61H 33/00; B05B 1/00;
B05B 1/14; B05B 1/185; B05B 1/08;
B05B 1/02; B05B 1/26
See application file for complete search history.

(56) **References Cited**

U.S. PATENT DOCUMENTS

D266,018 S *	8/1982	Dilyard	D23/212
D278,928 S *	5/1985	Gerber	D23/212
D375,139 S *	10/1996	Thorp	D23/212
D401,668 S *	11/1998	Kreizel	D23/212
D416,978 S *	11/1999	Haley	D23/212
D425,602 S *	5/2000	Koziol	D23/212
D459,431 S *	6/2002	Rosenberg	D23/212
D570,445 S *	6/2008	Sellers	D23/212
D614,261 S *	4/2010	Hung	D23/212
D634,400 S *	3/2011	Tremblay	D23/212
D635,642 S *	4/2011	Hung	D23/212
D741,451 S	10/2015	Moore et al.		

OTHER PUBLICATIONS

Bluluce Watering Can Aug. 30, 2020 found on Sep. 24, 2021 at:
<https://www.amazon.com/Bluluce-Watering-Detachable-Outdoor-Vegetables/dp/B08CF1BX8F/> (Year: 2020).*
Funifan Watering Can Dec. 17, 2020 found on Sep. 17, 2020 at:
<https://www.amazon.com/dp/B08JK7MG8Z/> (Year: 2020).*
NOBONDO Watering Can Nov. 10, 2020 found on Sep. 17, 2020 at:
<https://www.amazon.com/NOBONDO-Watering-Sprinkler-Outdoor-Decorative/dp/B08HXLDM5H/> (Year: 2020).*

* cited by examiner

Primary Examiner — Karen S Acker
Assistant Examiner — Jonathan E Fiencke
(74) *Attorney, Agent, or Firm* — ScienBiziP, P.C.

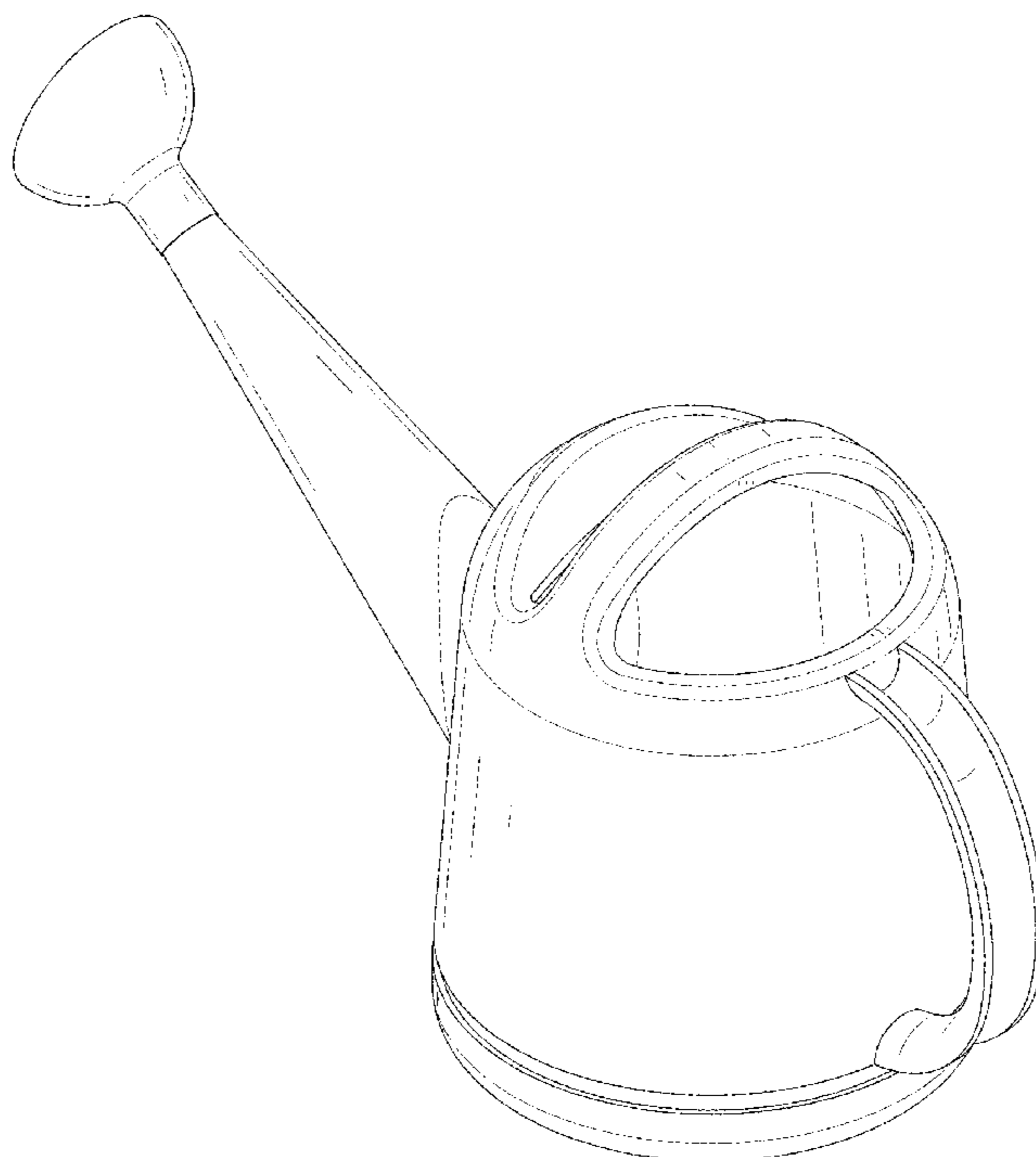
(57) **CLAIM**

The ornamental design for a watering can, as shown and described.

DESCRIPTION

FIG. 1 is a front perspective view of a watering can, showing my design.
FIG. 2 is a front elevation view thereof.
FIG. 3 is a rear elevation view thereof.
FIG. 4 is a left side elevation thereof.
FIG. 5 is a right side elevation thereof.
FIG. 6 is a top plan view thereof; and,
FIG. 7 is a bottom plan view thereof.

1 Claim, 7 Drawing Sheets



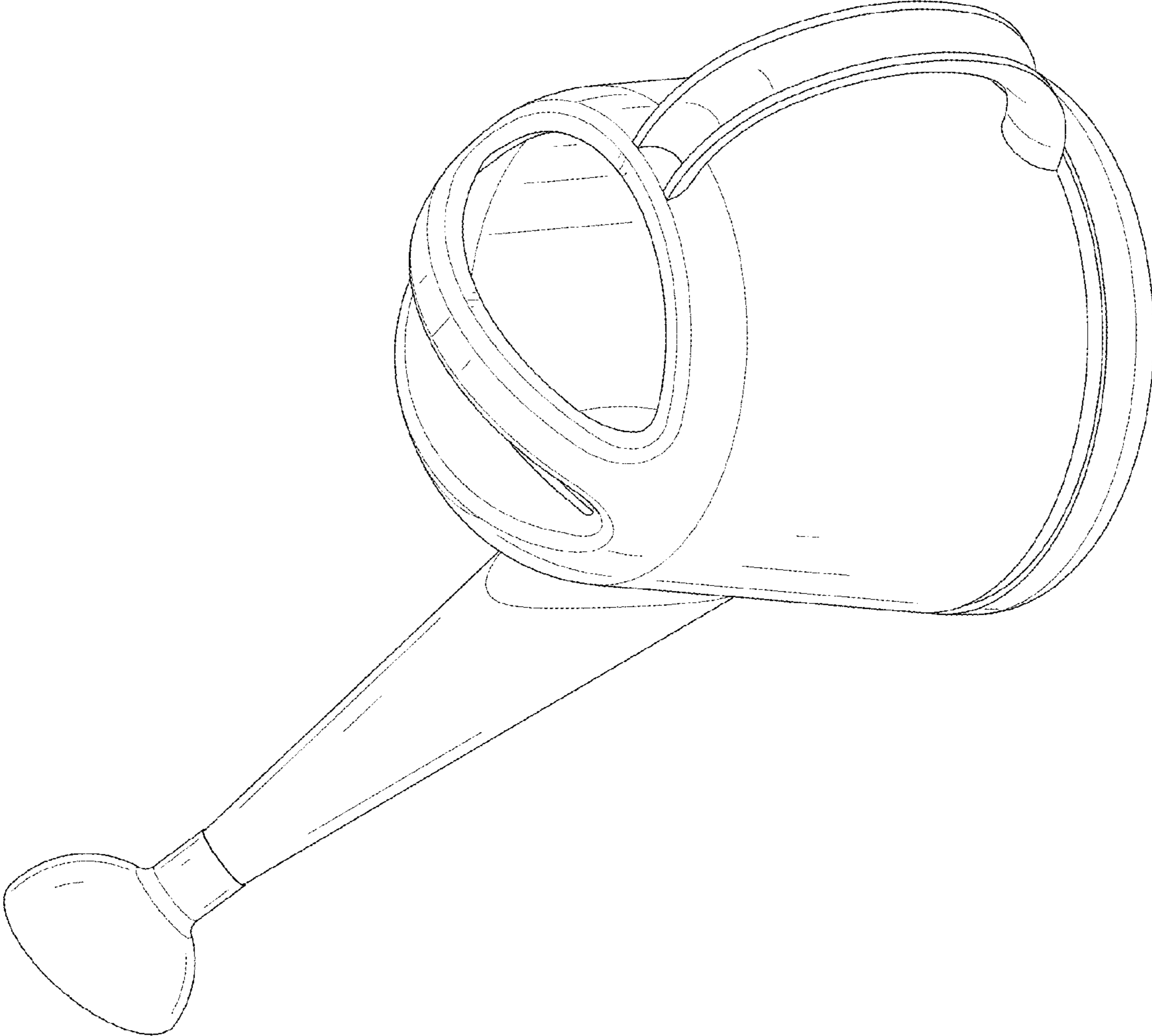


FIG.1

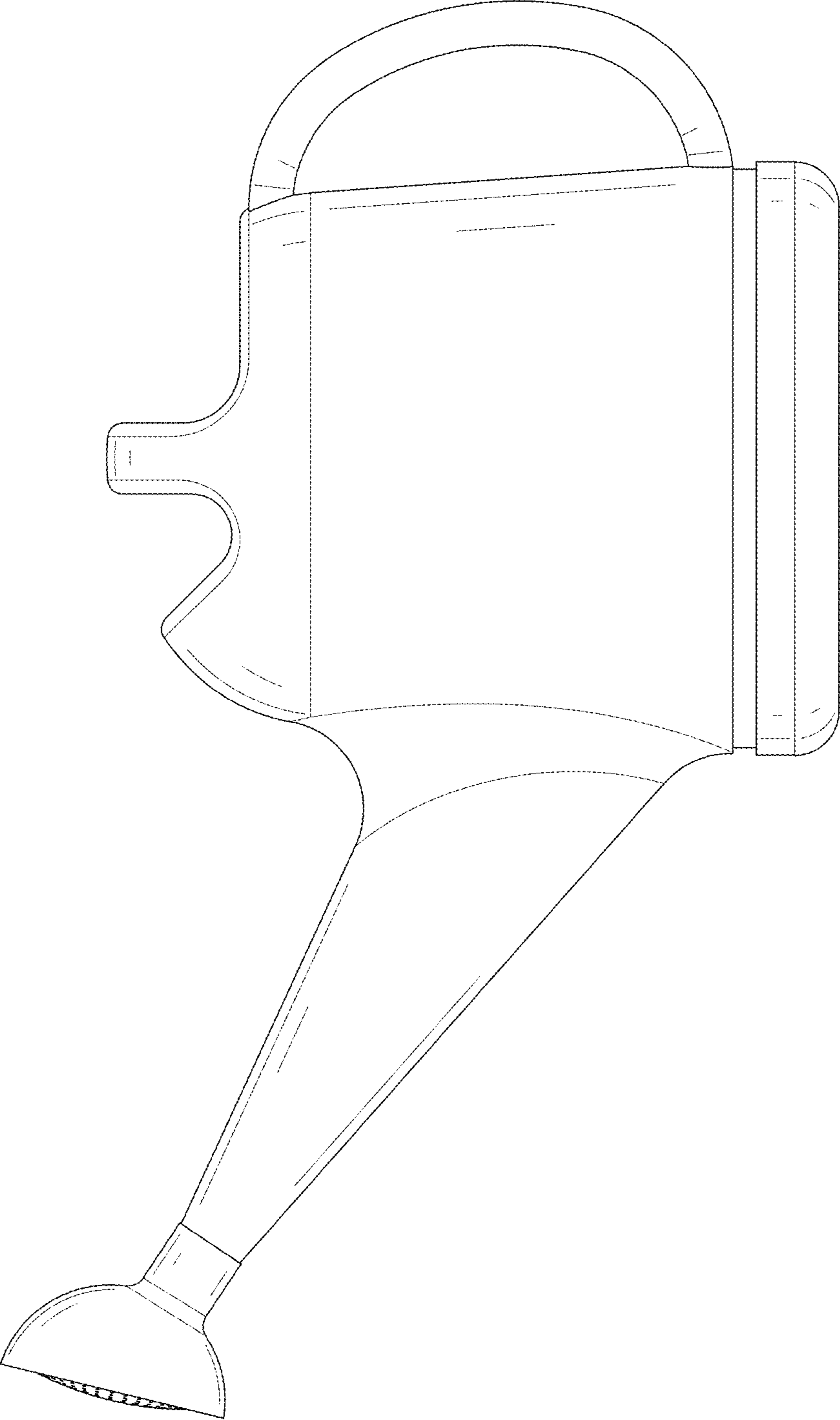


FIG. 2

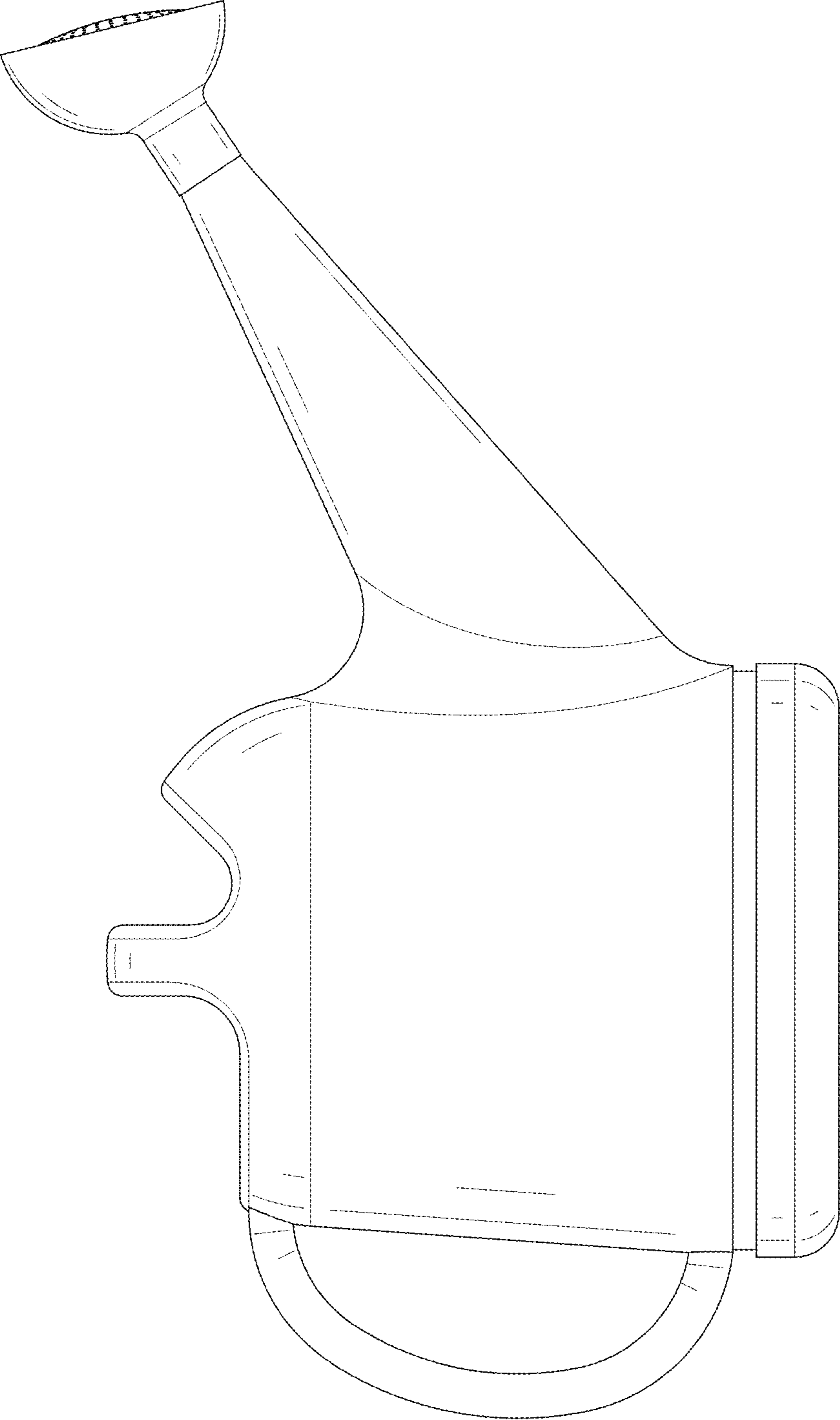


FIG.3

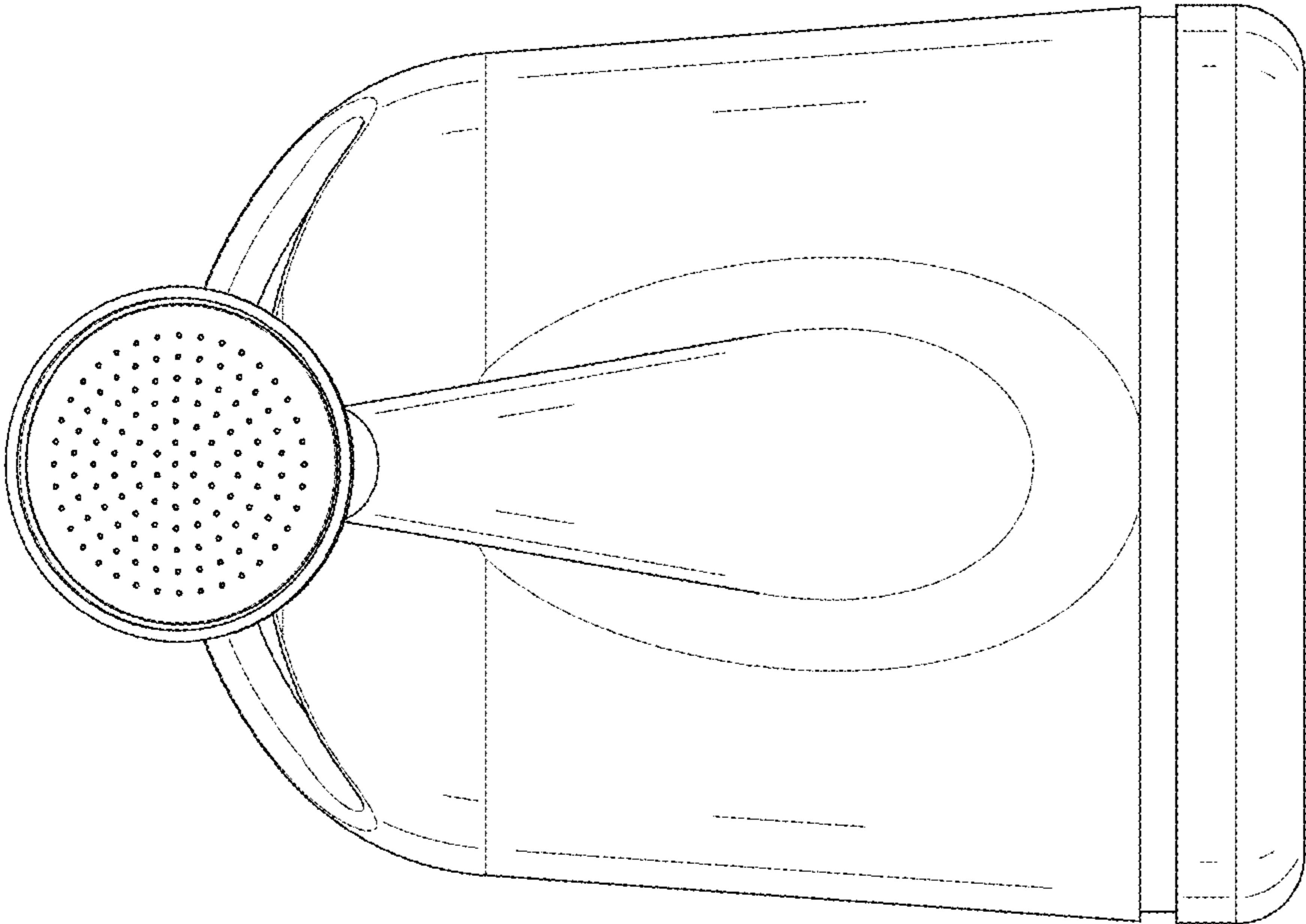


FIG. 4

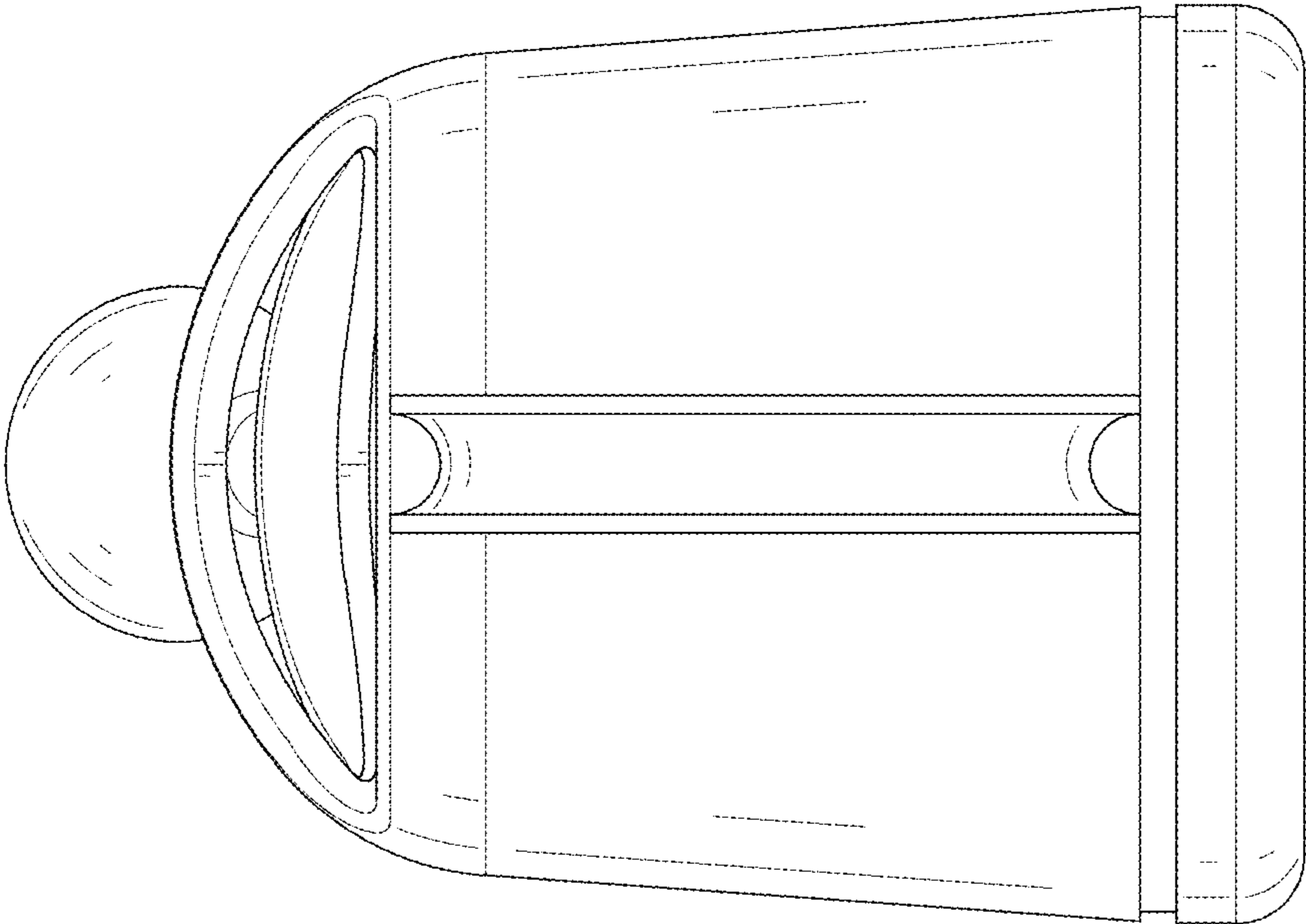


FIG. 5

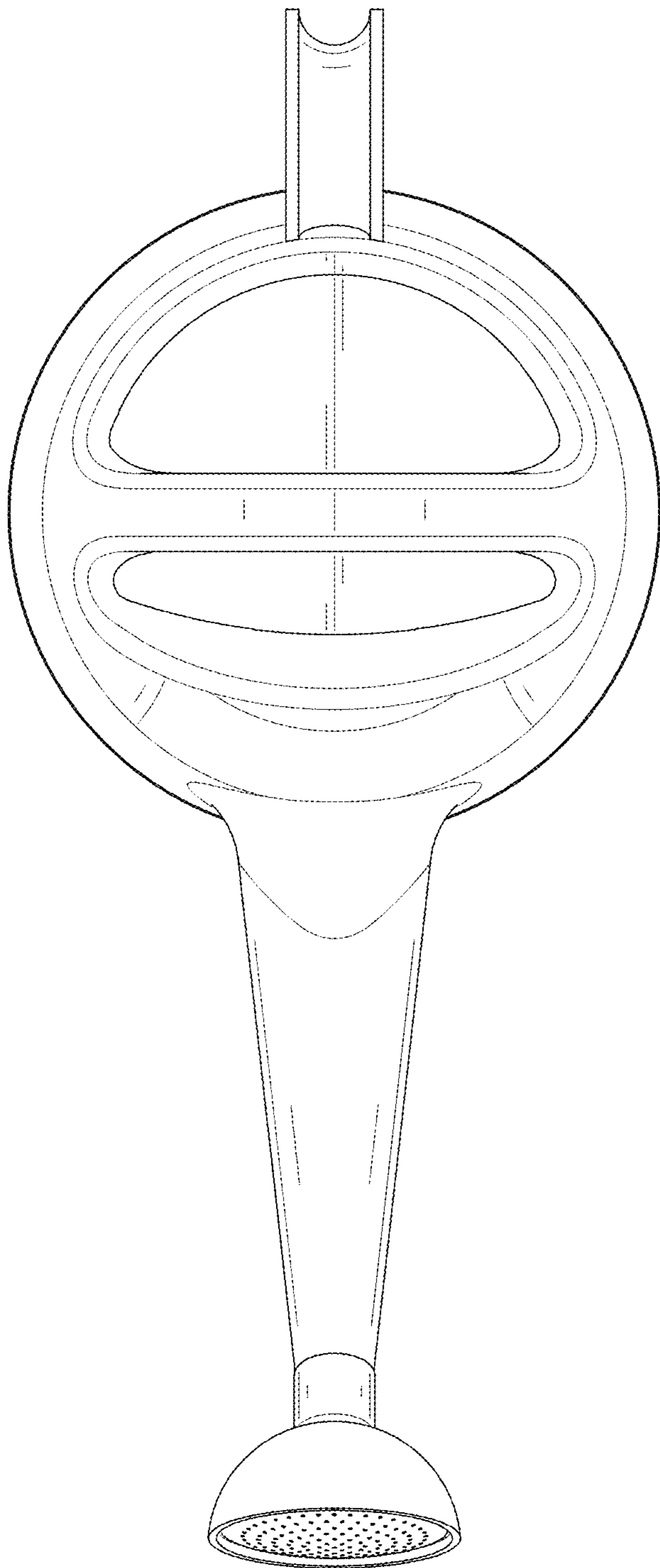


FIG.6

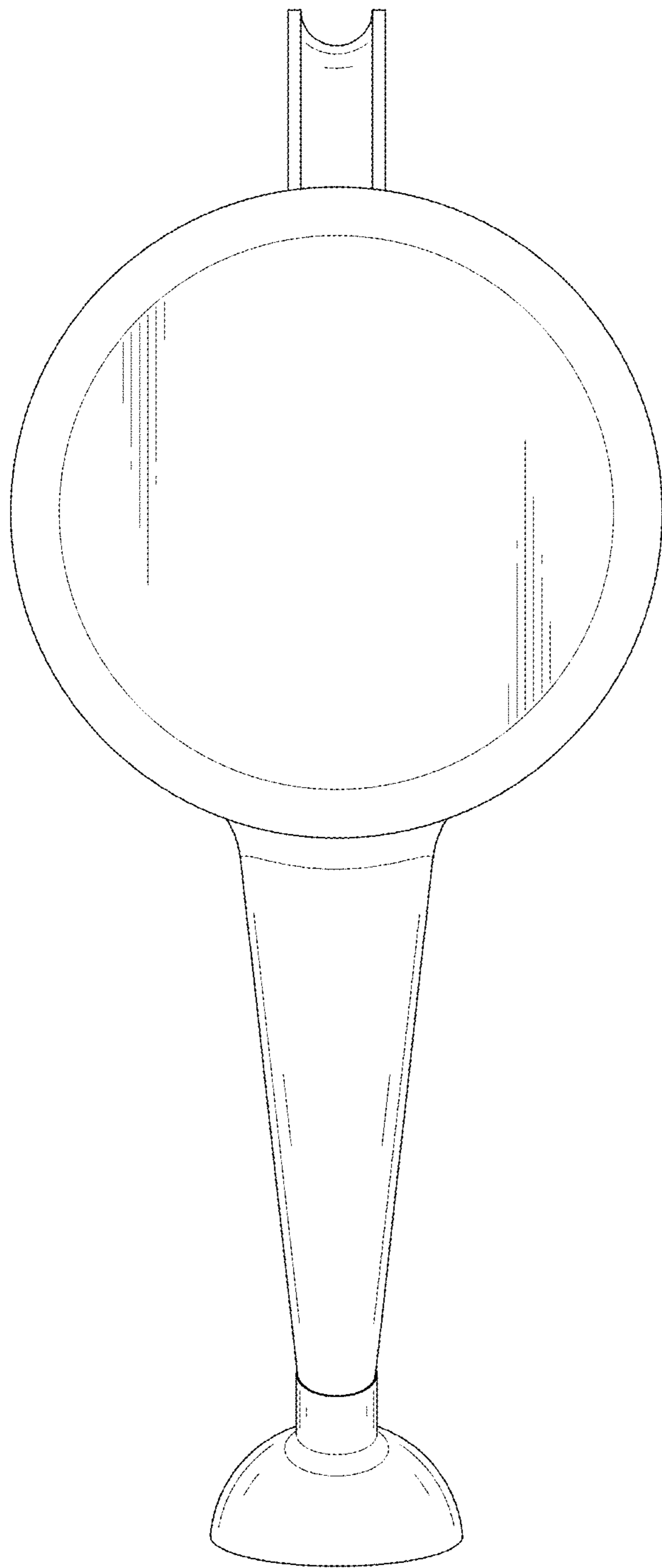


FIG. 7