



US00D942584S

(12) **United States Design Patent** (10) **Patent No.:** **US D942,584 S**
Li (45) **Date of Patent:** **** Feb. 1, 2022**

(54) **PORTABLE AQUARIUM FILTER**

FOREIGN PATENT DOCUMENTS

(71) Applicant: **Shenzhen Mago Trading Co., Ltd,**
Guangdong (CN)

CN 306454386 * 4/2021
GB 2035961 S 6/1980
TW D111788 S 8/1995
TW D166758 S 3/2015

(72) Inventor: **Huiqiang Li,** Guangxi (CN)

* cited by examiner

(73) Assignee: **SHENZHEN MAGO TRADING CO., LTD,** Shenzhen (CN)

Primary Examiner — Karen S Acker

Assistant Examiner — Jonathan E Fiencke

(**) Term: **15 Years**

(74) *Attorney, Agent, or Firm* — Dragon Sun Law Firm, PC; Jinggao Li, Esq.

(21) Appl. No.: **29/772,716**

(22) Filed: **Mar. 3, 2021**

(57) **CLAIM**

(51) **LOC (13) Cl.** **23-01**

The ornamental design for a portable aquarium filter, as shown and described.

(52) **U.S. Cl.**
USPC **D23/210**

(58) **Field of Classification Search**
USPC D23/207, 209–210, 213, 229;
D30/101–107
CPC A01K 63/045; B01D 35/157; B01D 35/26;
B01D 2201/16; B01D 35/30
See application file for complete search history.

DESCRIPTION

(56) **References Cited**

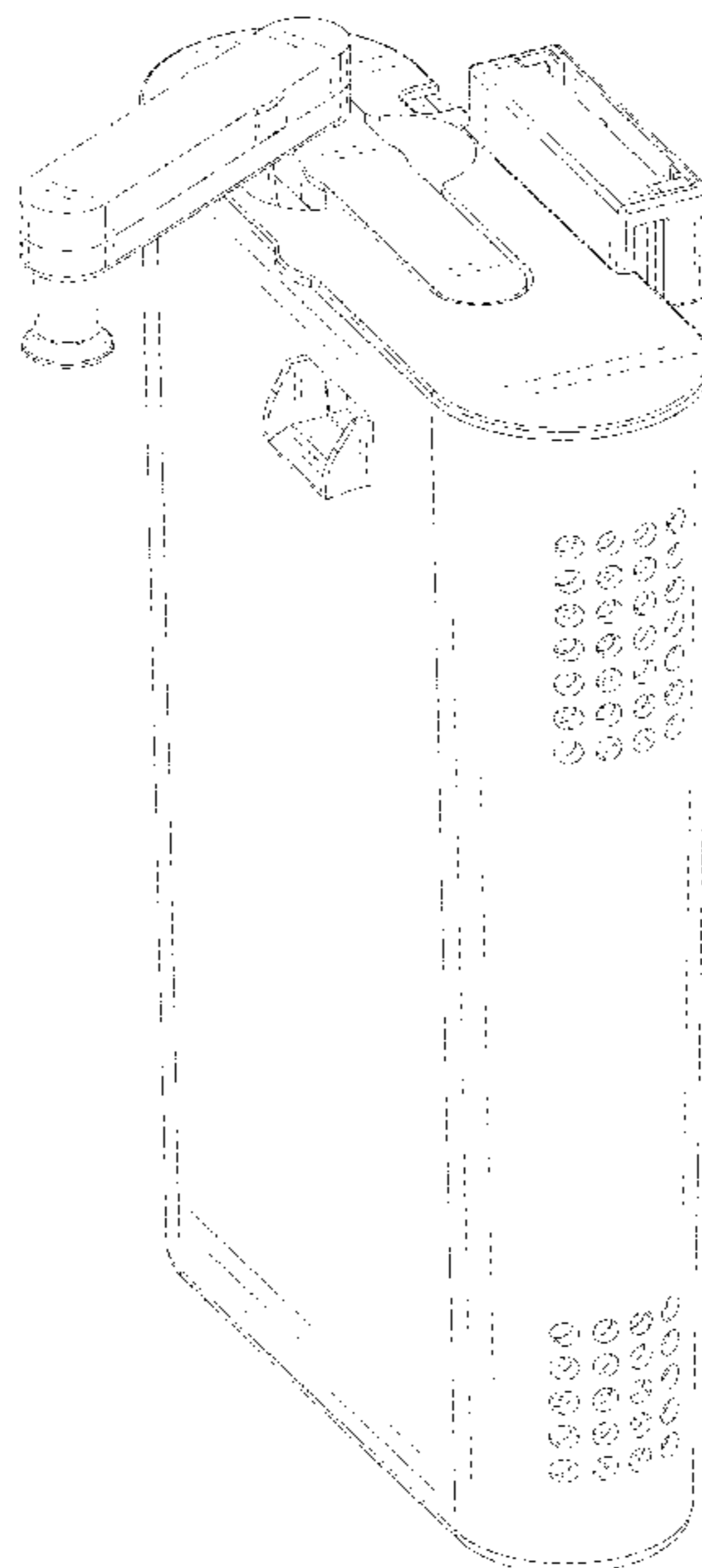
U.S. PATENT DOCUMENTS

D317,966 S *	7/1991	Willinger	D23/210
D355,701 S *	2/1995	Willinger	D23/209
D460,996 S *	7/2002	Carley	D23/210
D462,739 S *	9/2002	Carley	D23/210
D473,282 S *	4/2003	Lin	D23/210
D482,100 S *	11/2003	Foy	D23/207
D614,727 S *	4/2010	Therkelsen	D23/207
D650,041 S *	12/2011	Wu	D23/210
D650,468 S *	12/2011	Wang	D23/210
D671,191 S *	11/2012	Lin	D23/207
D678,979 S *	3/2013	Liu	D23/207
D764,014 S *	8/2016	Lin	D23/207
D794,874 S *	8/2017	Marks	D30/106

FIG. 1 is a front, right perspective view of a portable aquarium filter showing my new design;
FIG. 2 is a rear, left perspective view thereof;
FIG. 3 is a front view thereof;
FIG. 4 is a rear view thereof;
FIG. 5 is a left side view thereof;
FIG. 6 is a right side view thereof;
FIG. 7 is an enlarged top view thereof;
FIG. 8 is an enlarged bottom view thereof; and,
FIG. 9 is an enlarged detail view of area 9 circumscribed within FIG. 7.

The broken lines and unshaded areas within openings in the article depict portions of the portable aquarium filter that form no part of the claimed design. The broken lines surrounding the detail area within FIG. 7 and around FIG. 9 are the boundaries of the detail areas and form no part of the claimed design.

1 Claim, 9 Drawing Sheets



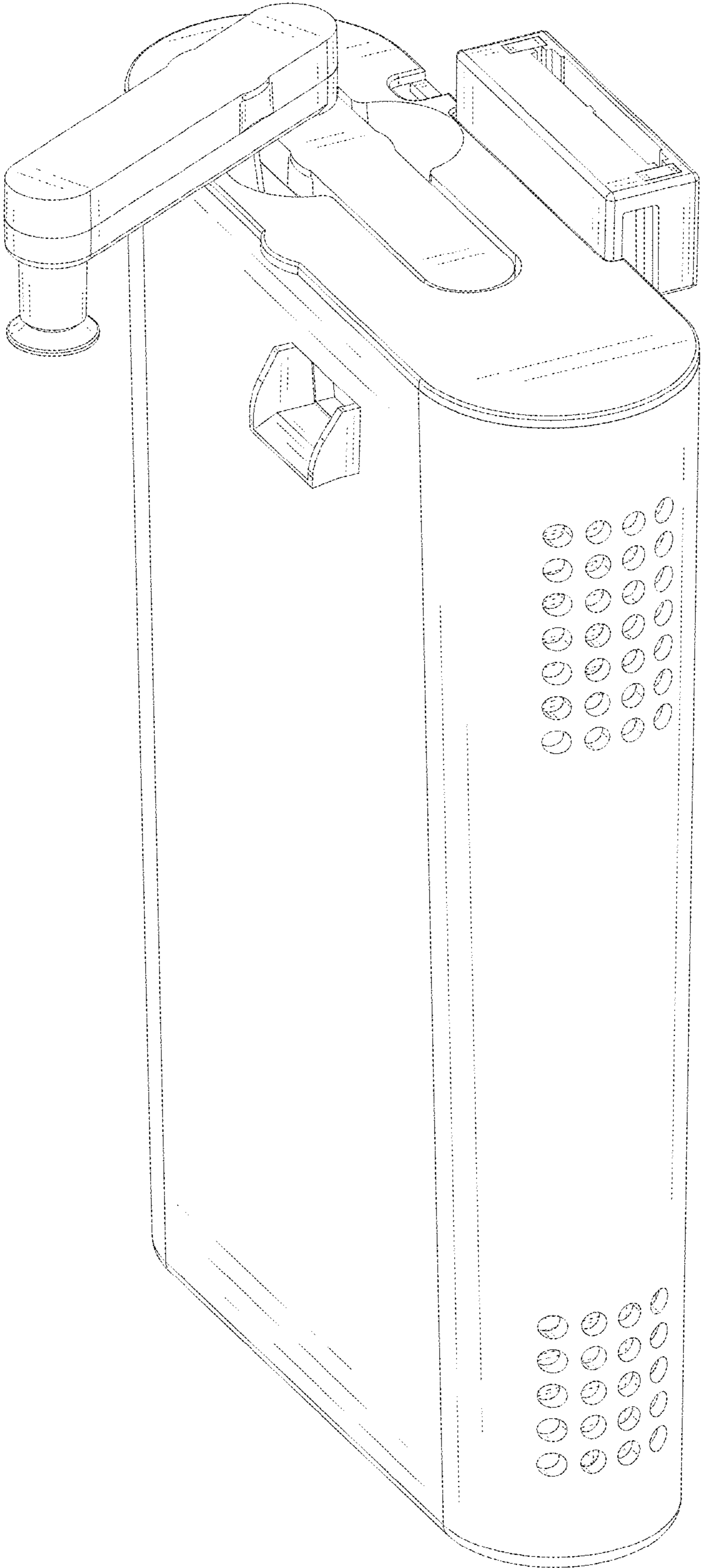


FIG. 1

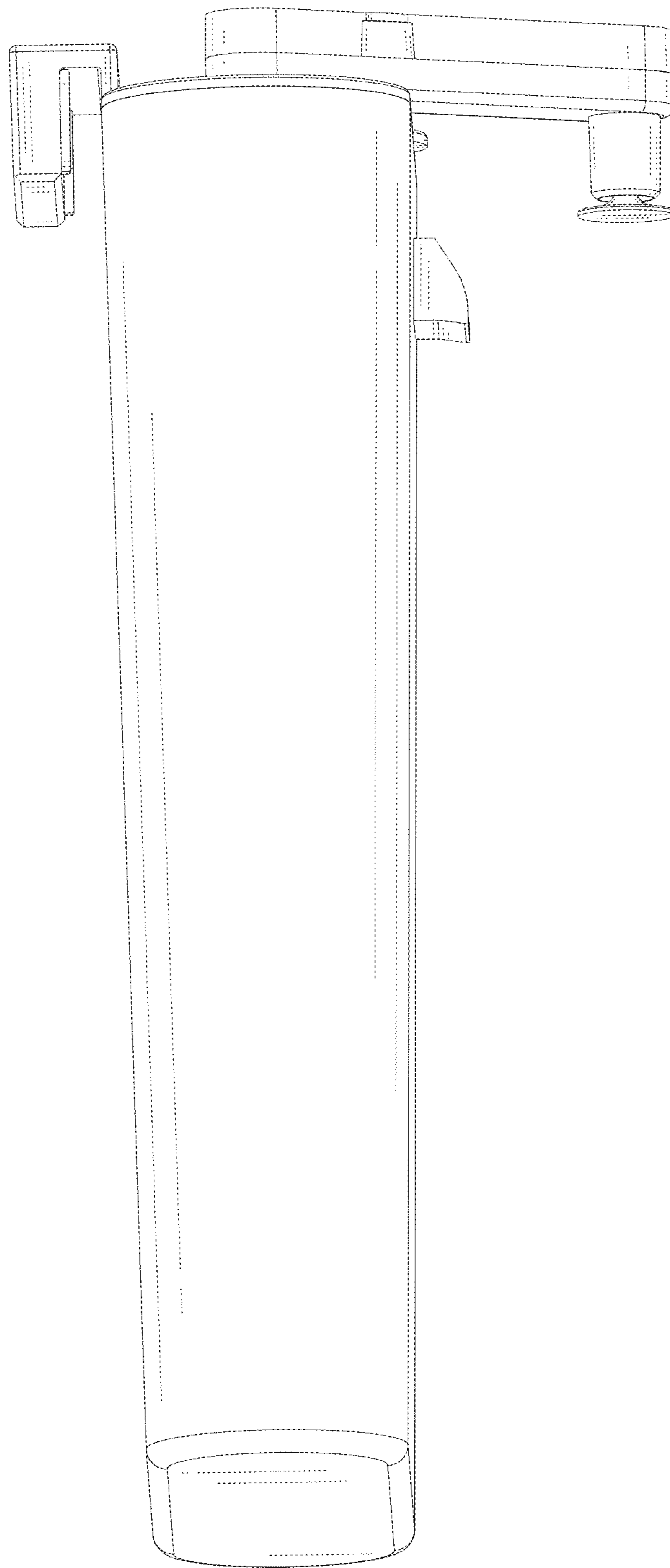


FIG. 2

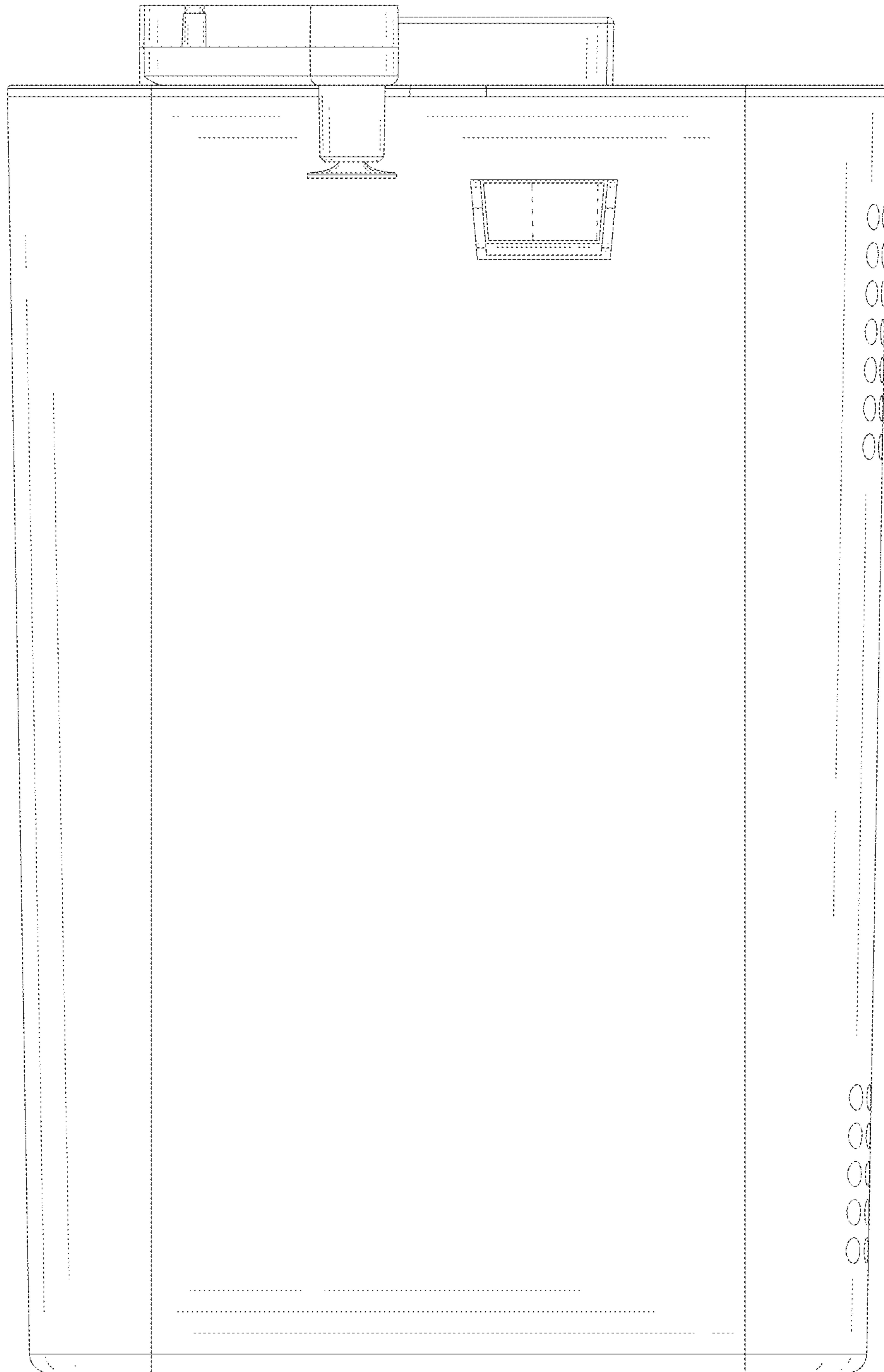


FIG. 3

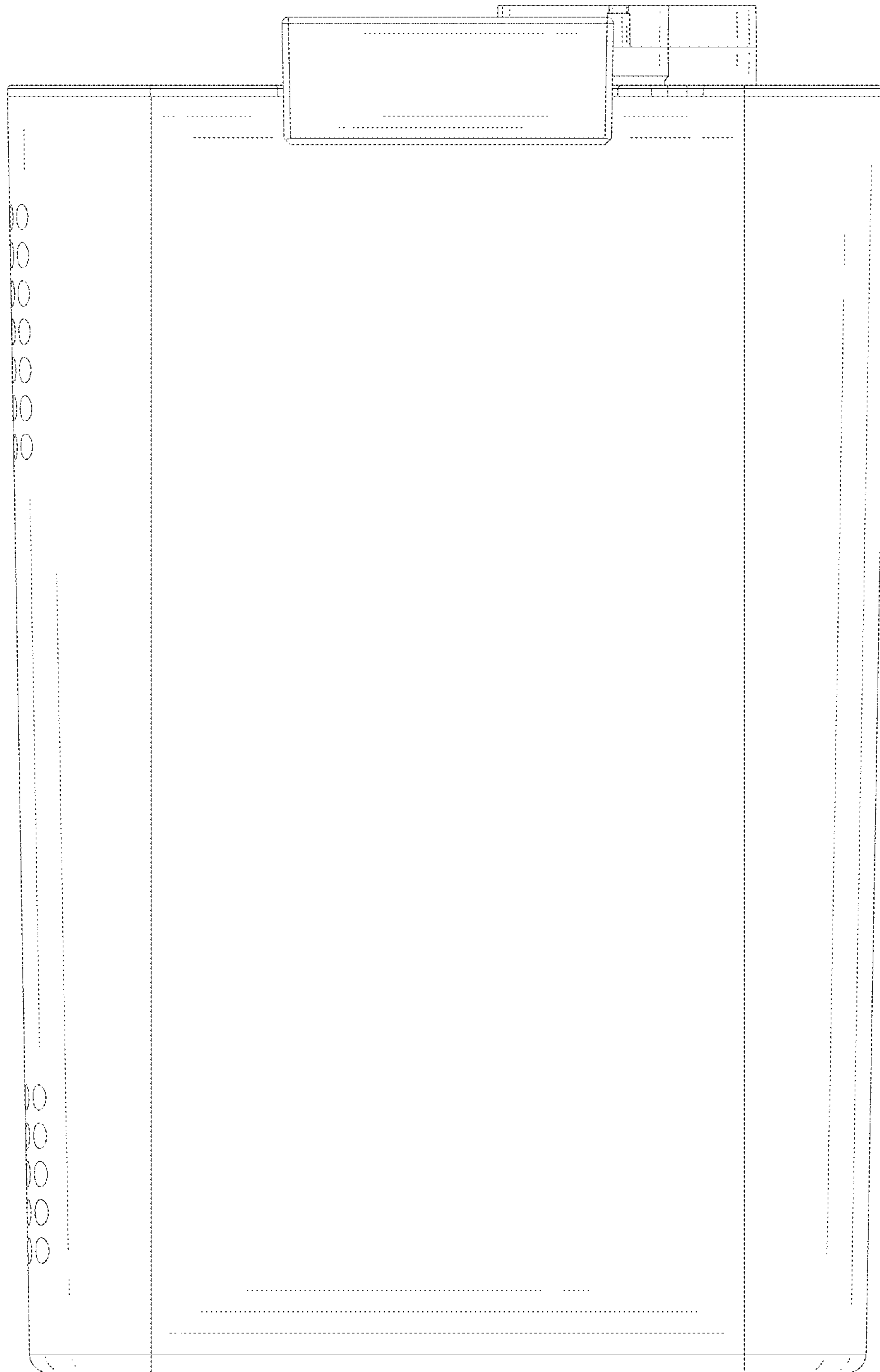


FIG. 4

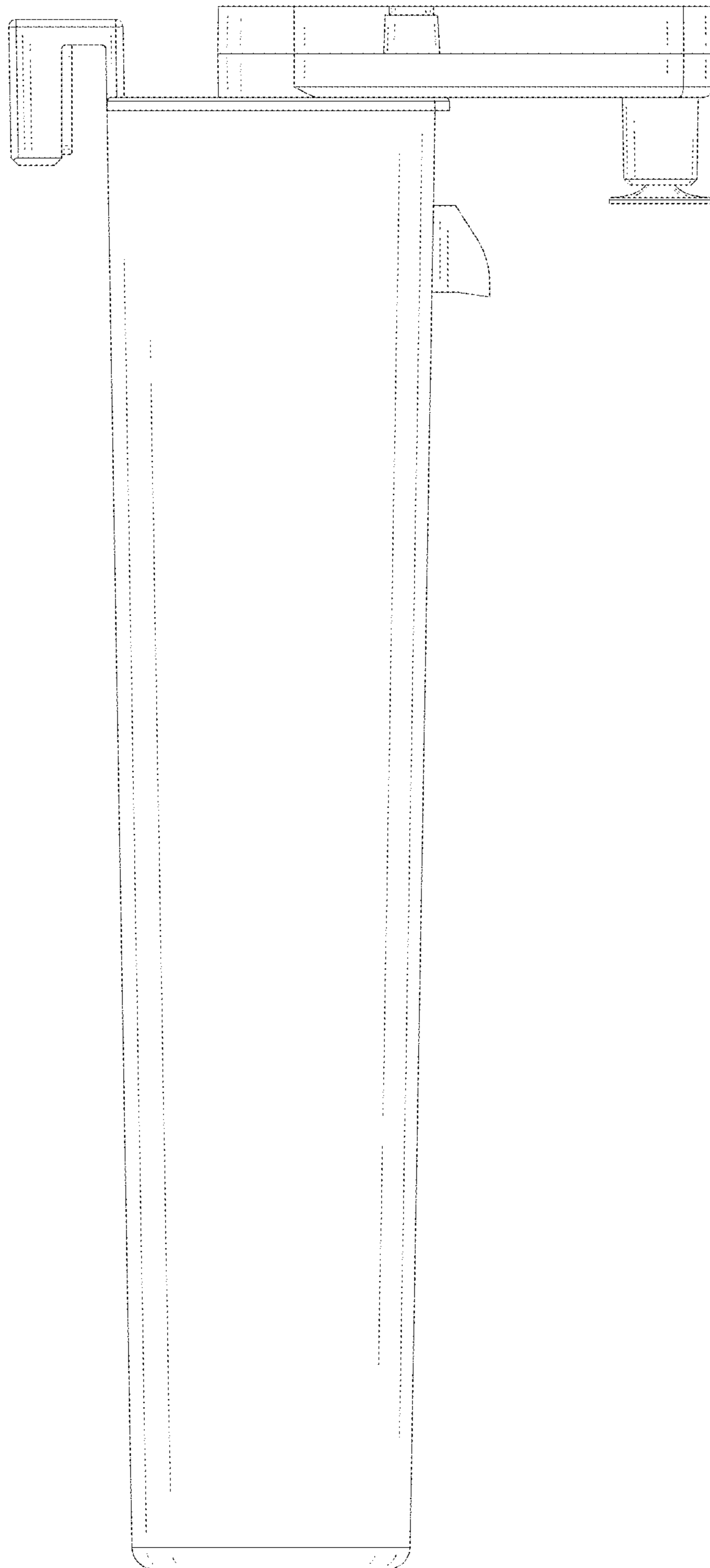


FIG. 5

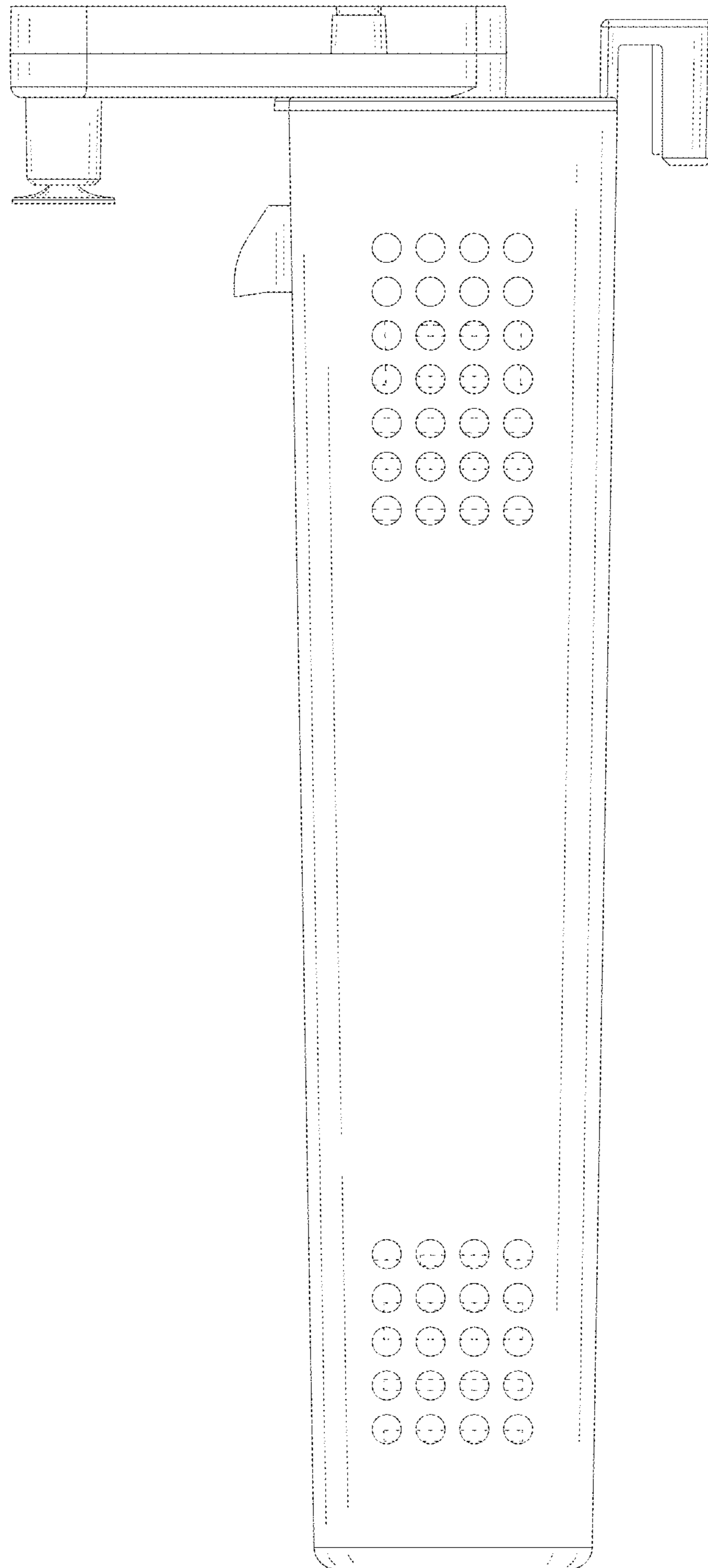


FIG. 6

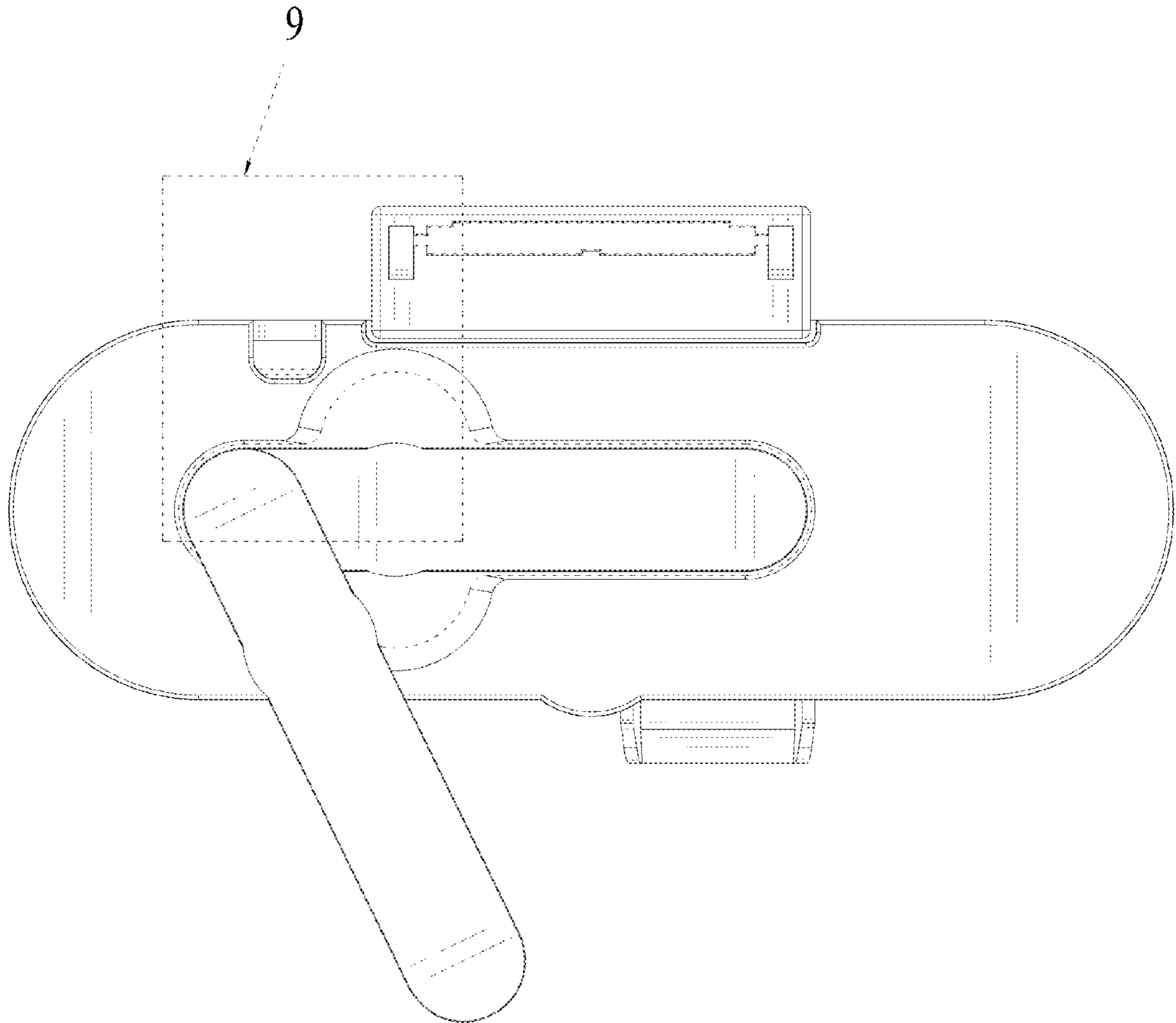


FIG. 7

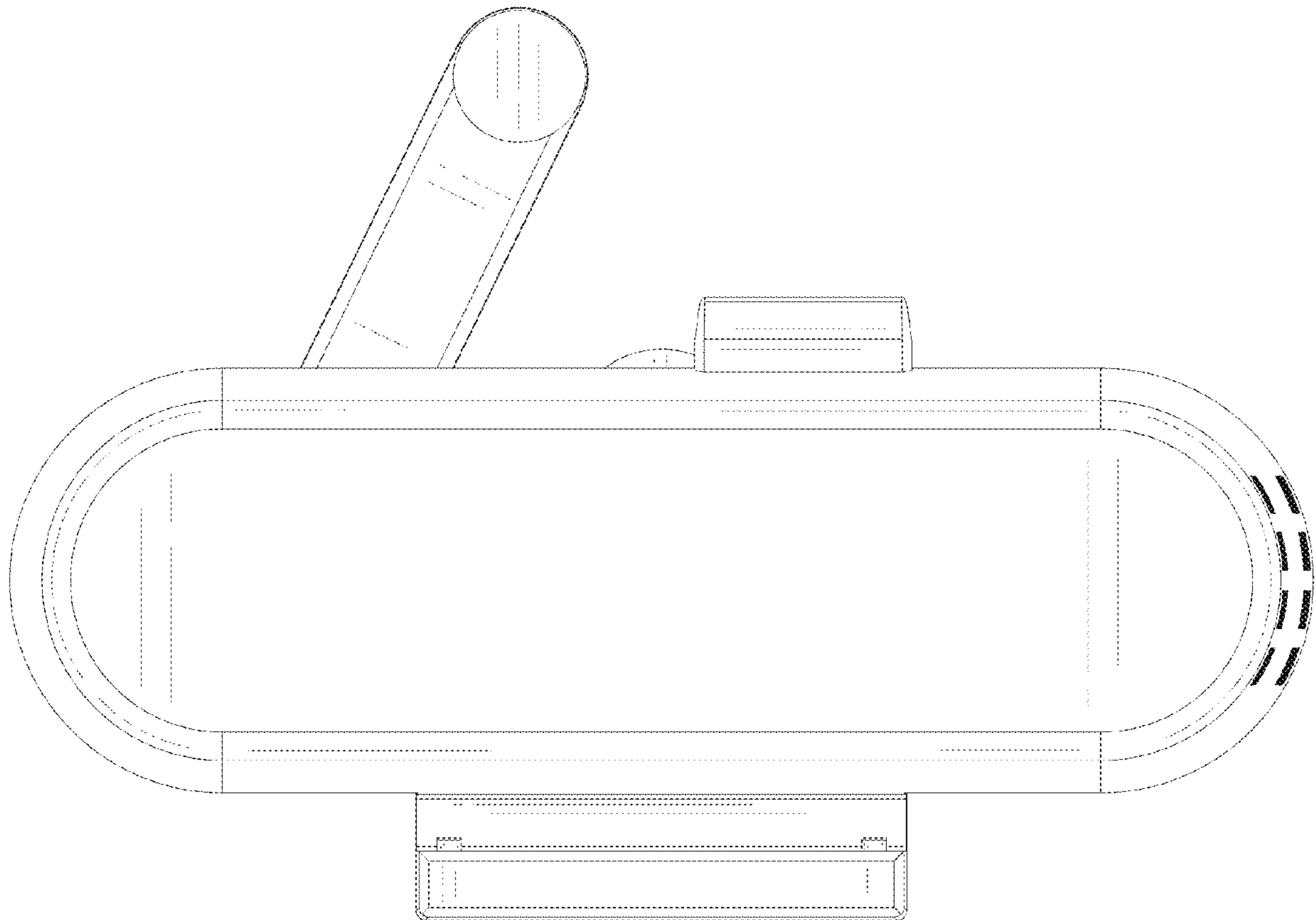


FIG. 8

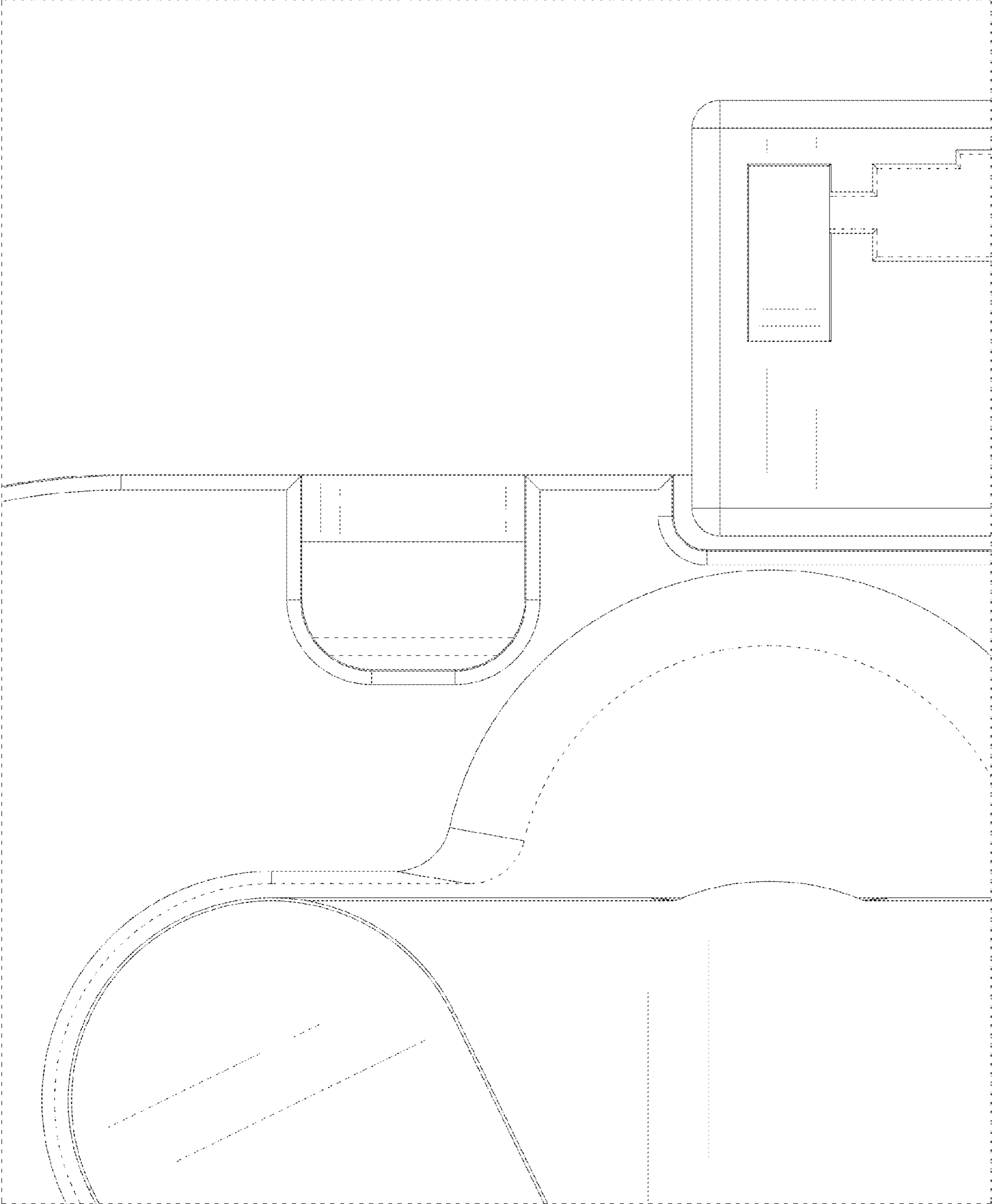


FIG. 9