



US00D942581S

(12) **United States Design Patent**  
**Zheng**

(10) **Patent No.:** **US D942,581 S**

(45) **Date of Patent:** **\*\* Feb. 1, 2022**

(54) **AMERICAN SINGLE POINT TACTICAL HARNESS**

(71) Applicant: **Yiwu Taoge Leather Co., Ltd.**,  
Zhejiang (CN)

(72) Inventor: **Tao Zheng**, Yiwu (CN)

(\*\*) Term: **15 Years**

(21) Appl. No.: **29/774,794**

(22) Filed: **Mar. 19, 2021**

(51) **LOC (13) Cl.** ..... **22-01**

(52) **U.S. Cl.**  
USPC ..... **D22/108**

(58) **Field of Classification Search**  
USPC ..... D3/214–215, 221, 262, 327–328;  
D8/356; D22/108; D29/101.1, 101.2  
CPC .... A45F 3/12; A45F 2003/142; F41C 33/002;  
F41C 33/001; F41C 33/006; F41C  
33/007; F41C 23/02  
See application file for complete search history.

(56) **References Cited**

**U.S. PATENT DOCUMENTS**

D297,660 S \* 9/1988 Clatanoff ..... D22/108  
D634,390 S \* 3/2011 Shulman ..... D22/108

D732,241 S 6/2015 Couzyn  
D907,915 S \* 1/2021 Sternbaum ..... D3/221  
11,168,956 B2 \* 11/2021 Dilling ..... F41C 33/002  
2020/0178679 A1 \* 6/2020 Swaggart ..... A45C 13/30  
2020/0271413 A1 \* 8/2020 Dilling ..... F41C 33/002  
2021/0148672 A1 \* 5/2021 Cooper ..... F41C 23/02  
2021/0330063 A1 \* 10/2021 Geller ..... A45F 3/14

\* cited by examiner

*Primary Examiner* — Michael A. Pratt

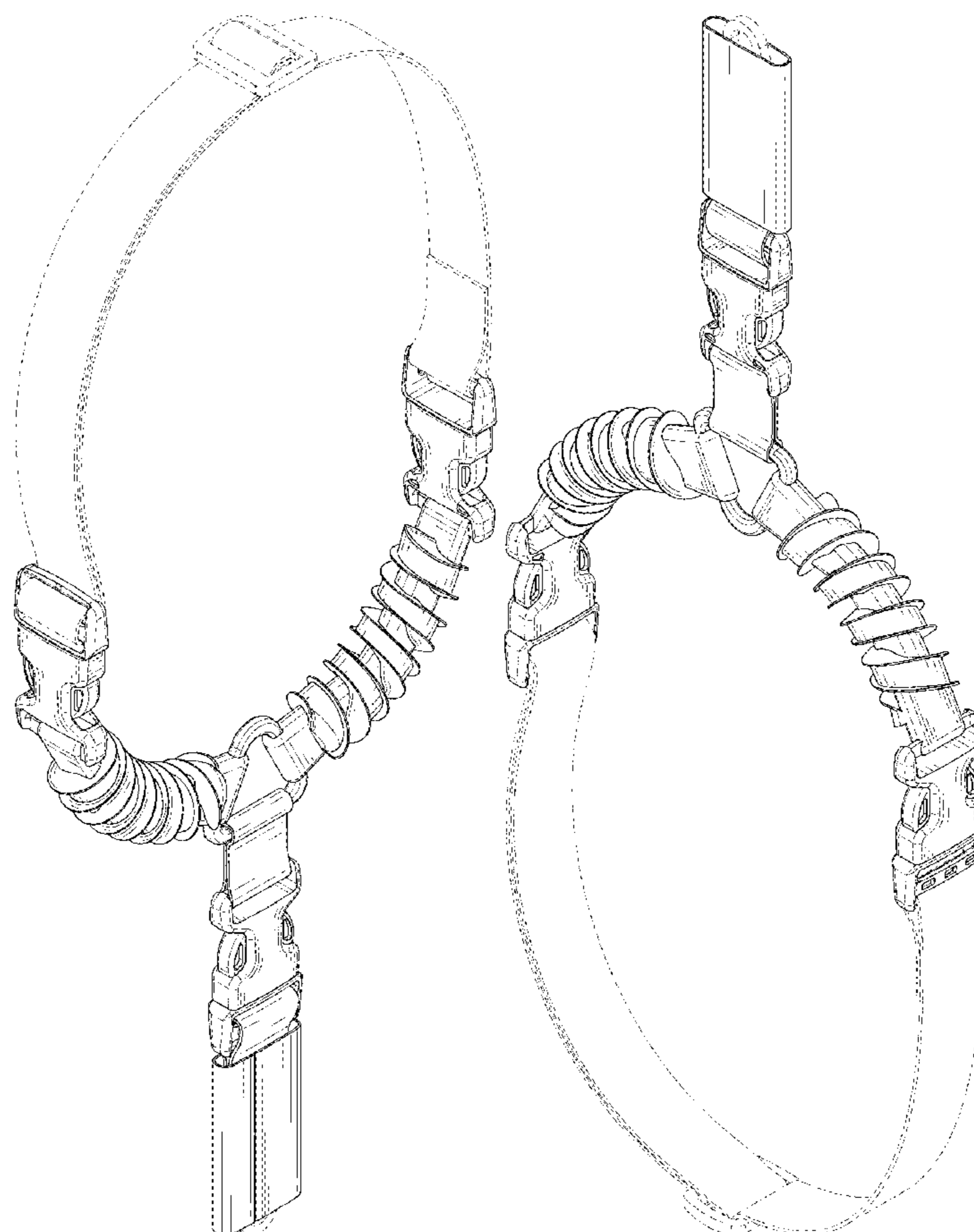
(57) **CLAIM**

The ornamental design for an American single point tactical harness, as shown and described.

**DESCRIPTION**

FIG. 1 is a front and top perspective view of an American single point tactical harness, showing my new design; FIG. 2 is a rear and bottom perspective view thereof; FIG. 3 is a front elevation view thereof; FIG. 4 is a rear elevation view thereof; FIG. 5 is a left side elevation view thereof; FIG. 6 is a right side elevation view thereof; FIG. 7 is a top plan view thereof; and, FIG. 8 is a bottom plan view thereof. The broken lines in the figures illustrate portions of the American single point tactical harness that form no part of the claimed design.

**1 Claim, 8 Drawing Sheets**



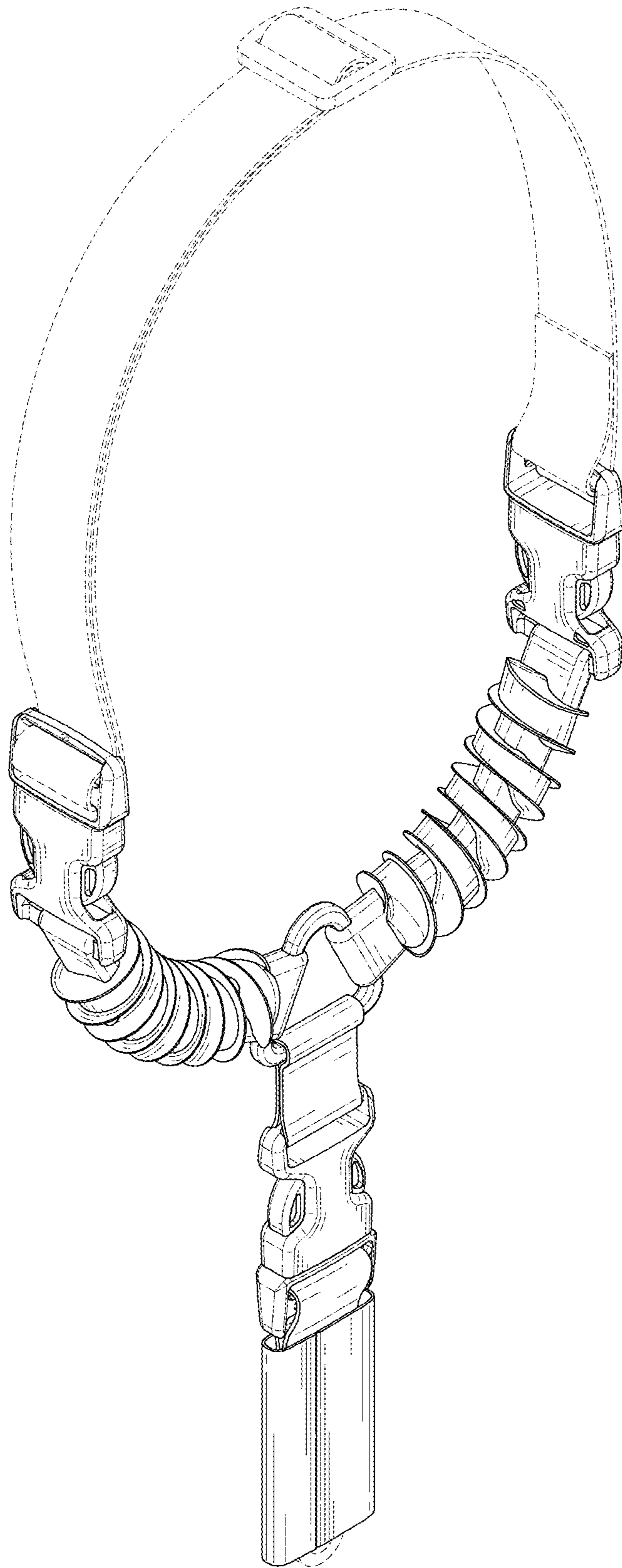


FIG. 1

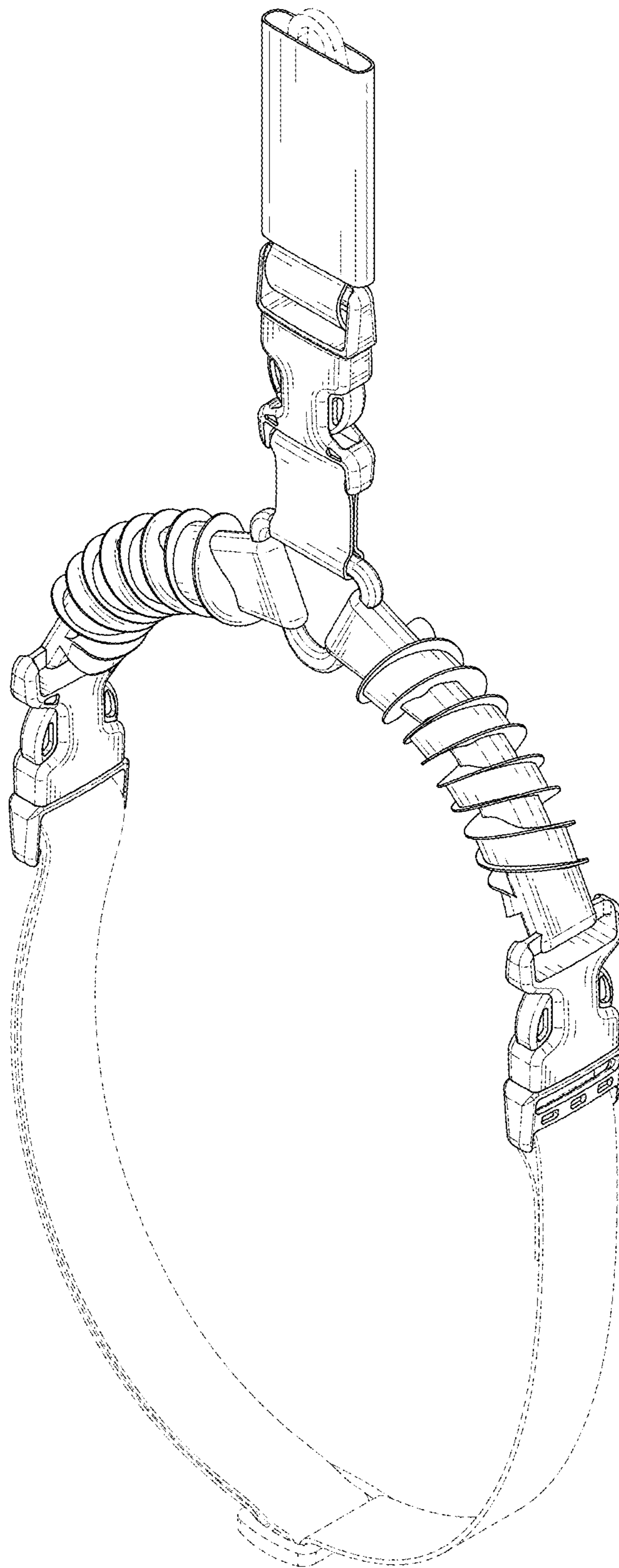


FIG. 2

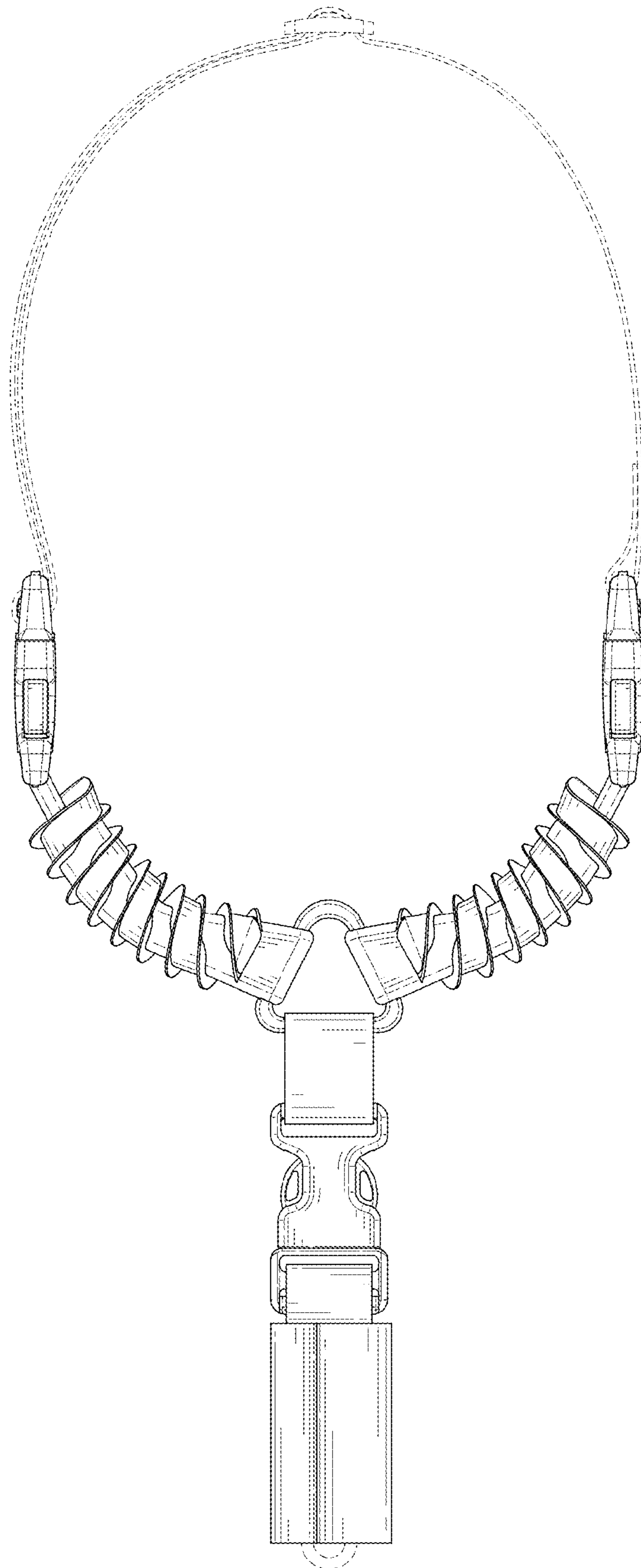


FIG. 3



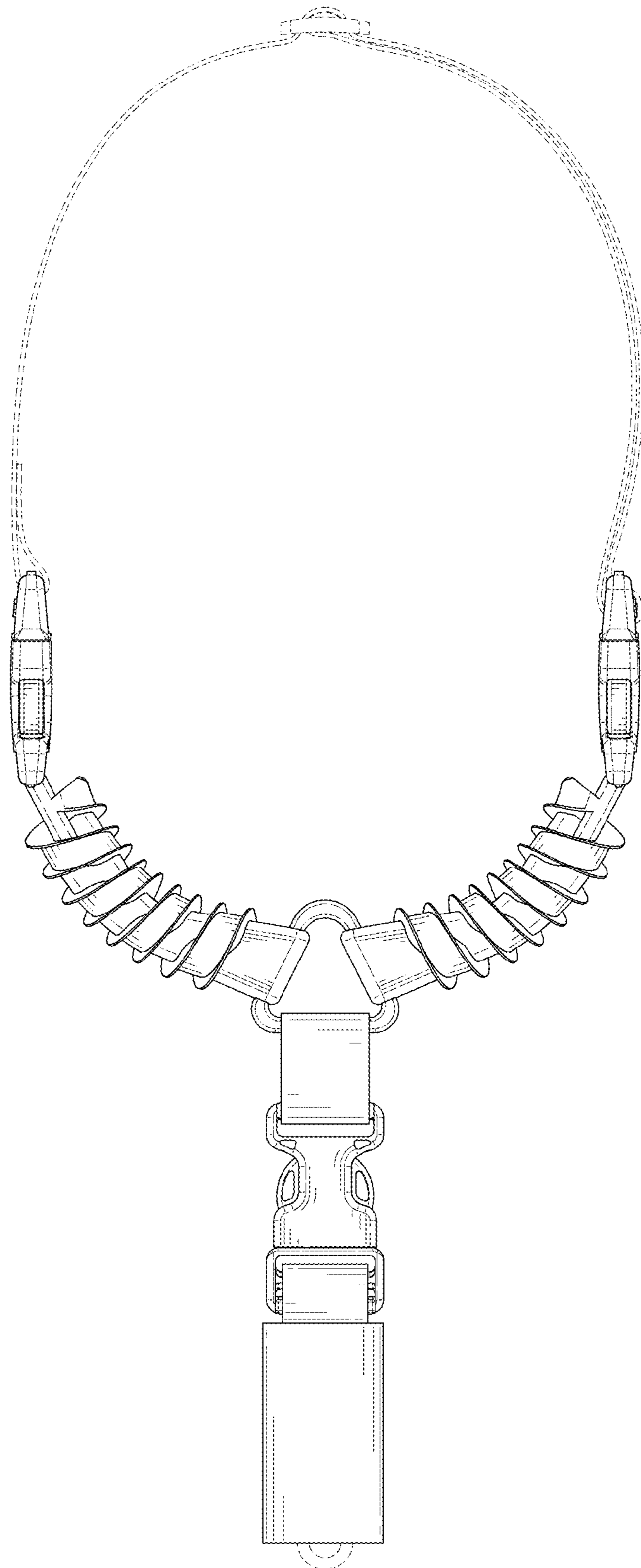


FIG. 4

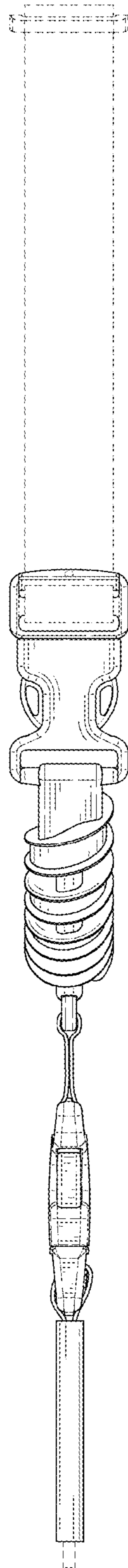


FIG. 5

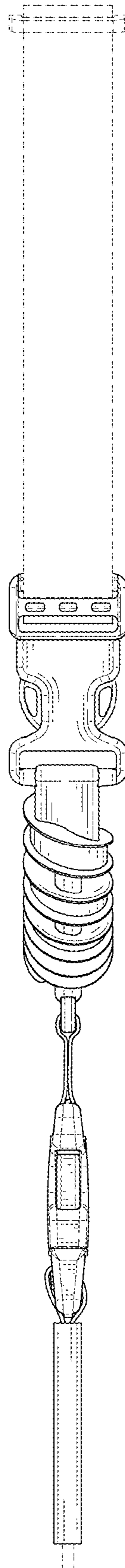


FIG. 6

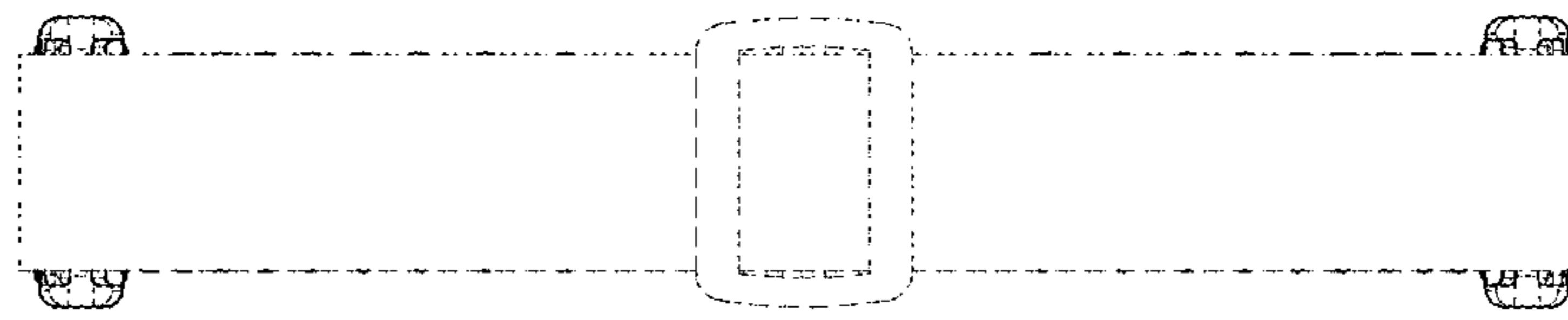


FIG. 7



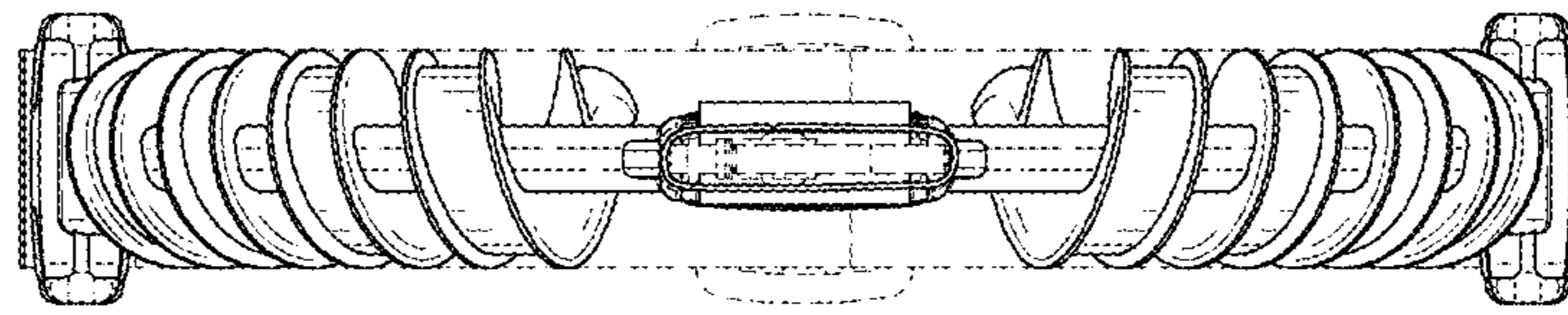


FIG. 8