



US00D942580S

(12) **United States Design Patent**
Haas

(10) **Patent No.:** **US D942,580 S**

(45) **Date of Patent:** **** Feb. 1, 2022**

(54) **SEAR FOR A BOWSTRING RELEASE**

(71) Applicant: **FeraDyne Outdoors, LLC**, Superior, WI (US)

(72) Inventor: **Matthew Peter Haas**, Duluth, MN (US)

(73) Assignee: **FERADYNE OUTDOORS, LLC**, Superior, WI (US)

(**) Term: **15 Years**

(21) Appl. No.: **29/754,653**

(22) Filed: **Oct. 13, 2020**

Related U.S. Application Data

(60) Division of application No. 29/640,155, filed on Mar. 12, 2018, now Pat. No. Des. 903,033, which is a continuation of application No. PCT/US2017/057105, filed on Oct. 18, 2017.

(51) **LOC (13) Cl.** **22-01**

(52) **U.S. Cl.**
USPC **D22/107; D21/571**

(58) **Field of Classification Search**
USPC D22/100, 101, 102, 106, 107; D21/571
CPC F41C 23/14; F41C 23/20; F41C 23/04;
F41C 23/00; F41C 23/10; F41C 27/00;
F41C 7/00; F41C 23/06; F41C 3/00;
F41B 5/10; F41B 5/14; F41B 5/0094;
F41B 5/1469; F41B 5/00

See application file for complete search history.

(56) **References Cited**

U.S. PATENT DOCUMENTS

4,062,339 A * 12/1977 Wilson F41B 5/1469
124/35.2
4,105,011 A * 8/1978 Chism F41B 5/1469
124/35.2
6,631,709 B2 * 10/2003 Carter F41B 5/1469
124/35.2
9,285,183 B2 * 3/2016 Rentz F41B 5/1469

9,618,295 B1 * 4/2017 Rentz F41B 5/1469
9,982,961 B1 * 5/2018 Rentz F41B 5/1469
10,240,887 B1 * 3/2019 Henry F41B 5/1469
10,801,803 B1 * 10/2020 Rentz F41B 5/1469

(Continued)

OTHER PUBLICATIONS

“A Breakdown of Different Archery Release Aids” [online]. Trail Kreitzer. [Published on Jun. 27, 2018]. Retrieved from the Internet: <<https://www.gohunt.com/read/skills/a-breakdown-of-different-archery-release-aids#gs.biz9aw>>.*

Primary Examiner — Mojtaba Tehrani

(74) *Attorney, Agent, or Firm* — Greenberg Traurig, LLP

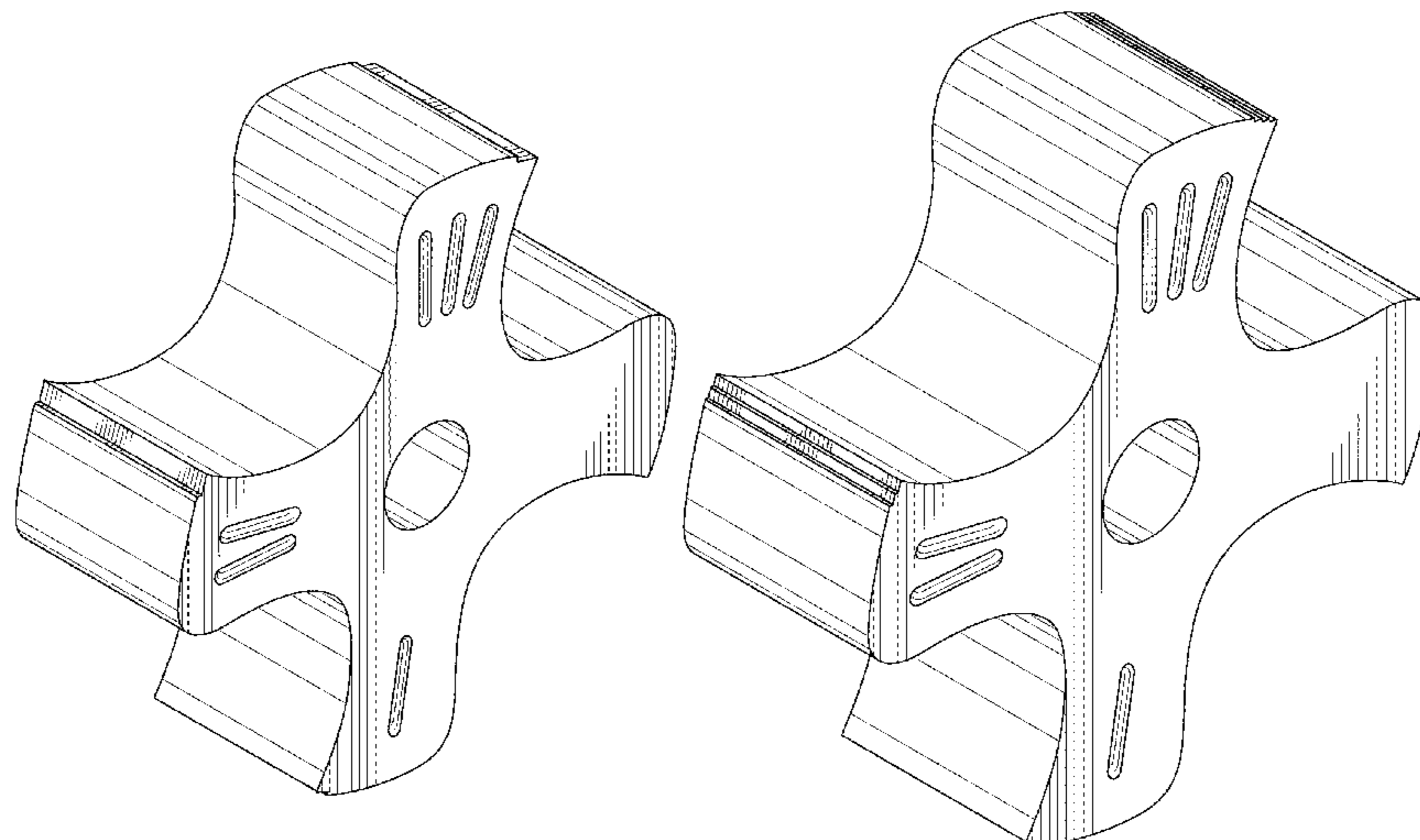
(57) **CLAIM**

The ornamental design of a sear for a bowstring release, as shown and described.

DESCRIPTION

FIG. 1 is a perspective view of an embodiment of a sear for a bowstring release;
FIG. 2 is a side view of the sear of FIG. 1;
FIG. 3 is a side view of the sear of FIG. 1 opposite the side view illustrated in FIG. 2;
FIG. 4 is a front view of the sear of FIG. 1;
FIG. 5 is a rear view of the sear of FIG. 1;
FIG. 6 is a top view of the sear of FIG. 1;
FIG. 7 is a bottom view of the sear of FIG. 1;
FIG. 8 is a perspective view of another embodiment of a sear for a bowstring release;
FIG. 9 is a side view of the sear of FIG. 8;
FIG. 10 is a side view of the sear of FIG. 8 opposite the side view illustrated in FIG. 9;
FIG. 11 is a front view of the sear of FIG. 8;
FIG. 12 is a rear view of the sear of FIG. 8;
FIG. 13 is a top view of the sear of FIG. 8; and,
FIG. 14 is a bottom view of the sear of FIG. 8.

1 Claim, 12 Drawing Sheets



(56)

References Cited

U.S. PATENT DOCUMENTS

10,895,431	B1 *	1/2021	Major	F41B 5/1469
10,948,260	B1 *	3/2021	Jones	F41B 5/1469
11,060,817	B2 *	7/2021	Bowmar	F41B 5/148
2008/0149084	A1 *	6/2008	Whalen	F41B 5/1469
				124/35.2
2011/0168146	A1 *	7/2011	Deceuster	F41B 5/1469
				124/35.2
2012/0192844	A1 *	8/2012	Springer	F41B 5/1469
				124/35.2
2015/0219418	A1 *	8/2015	Whalen	F41B 5/1469
				124/35.2
2019/0265000	A1 *	8/2019	Haas	F41B 5/1469

* cited by examiner

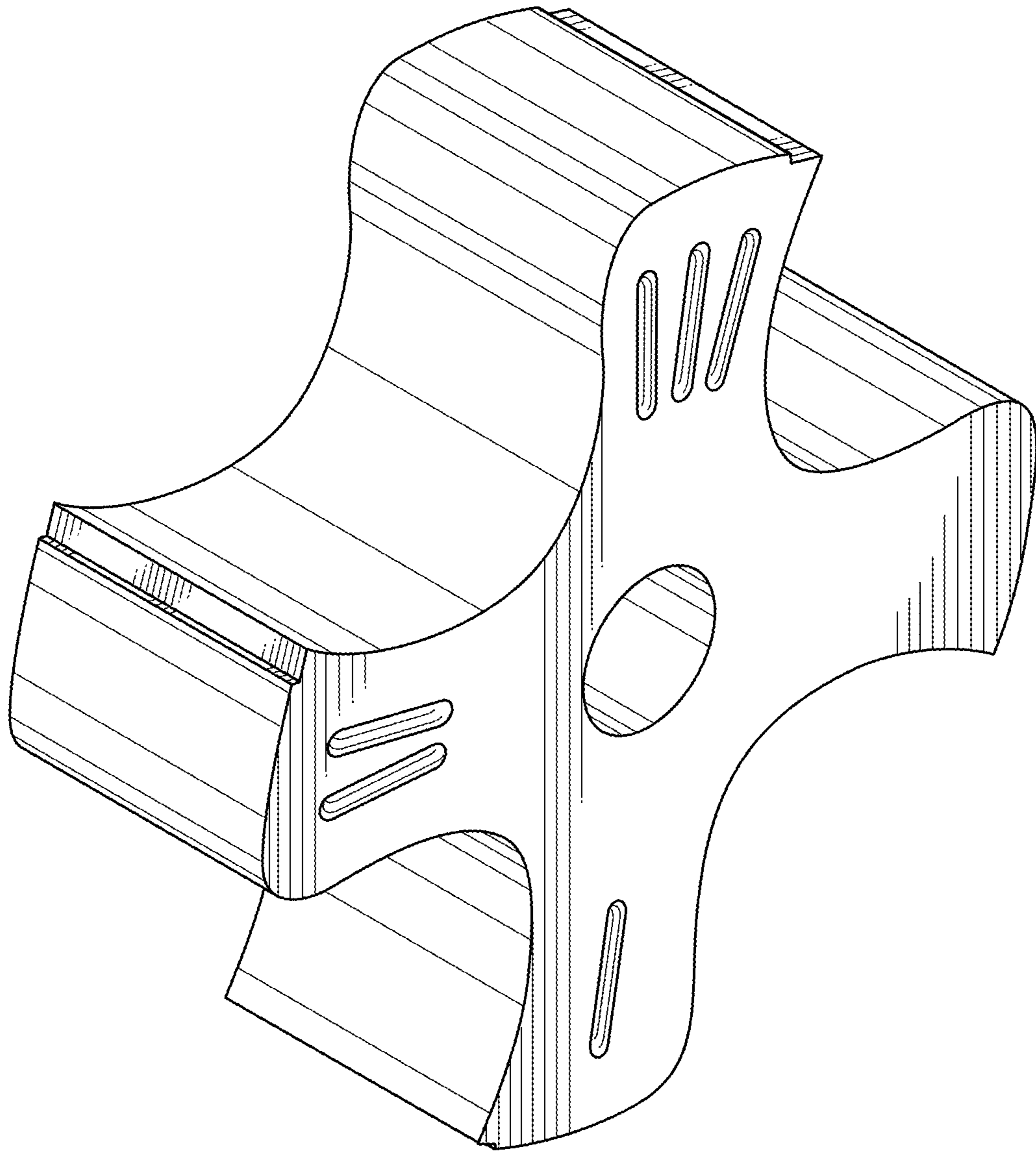


FIG. 1

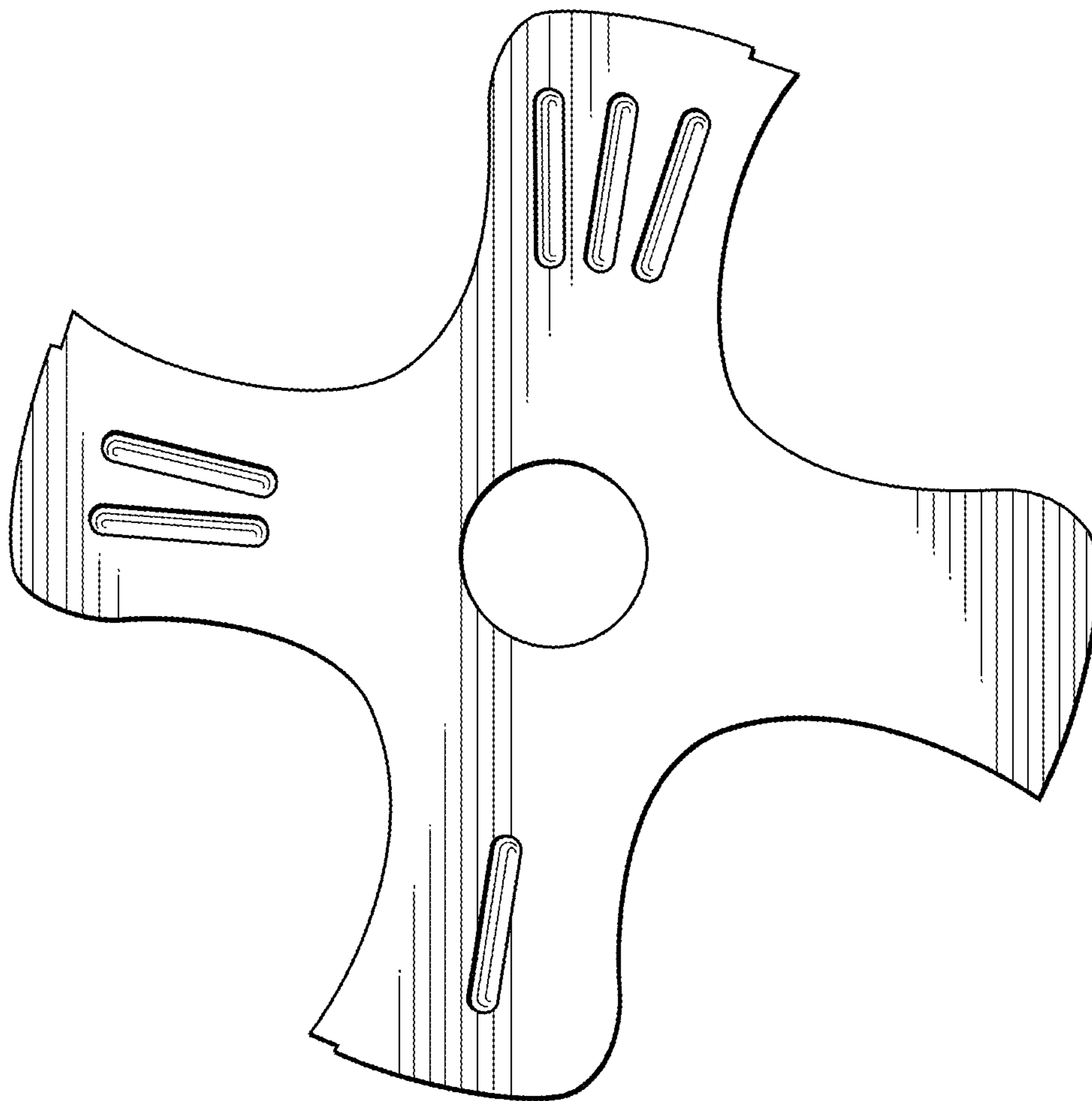


FIG. 2

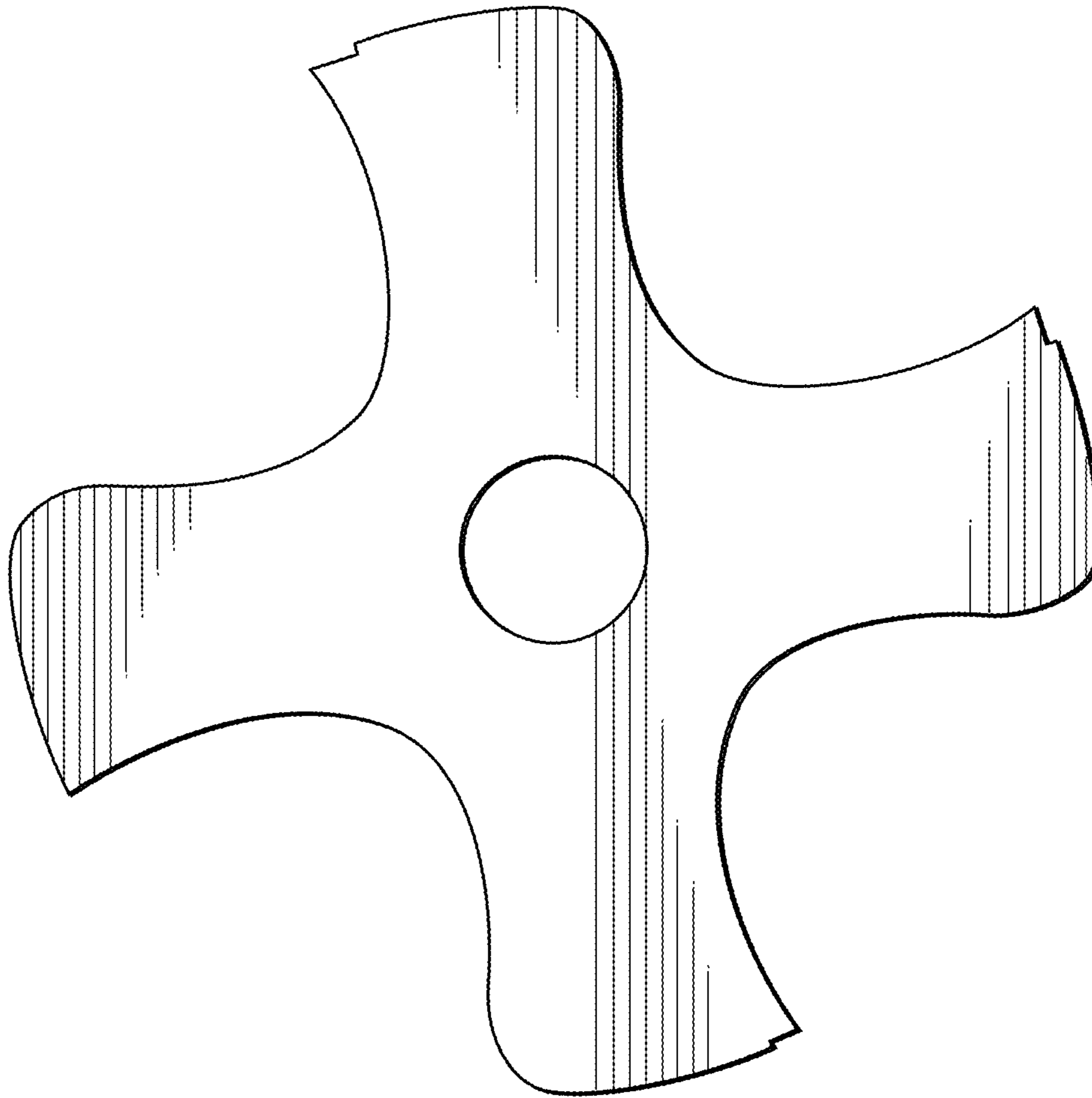


FIG. 3

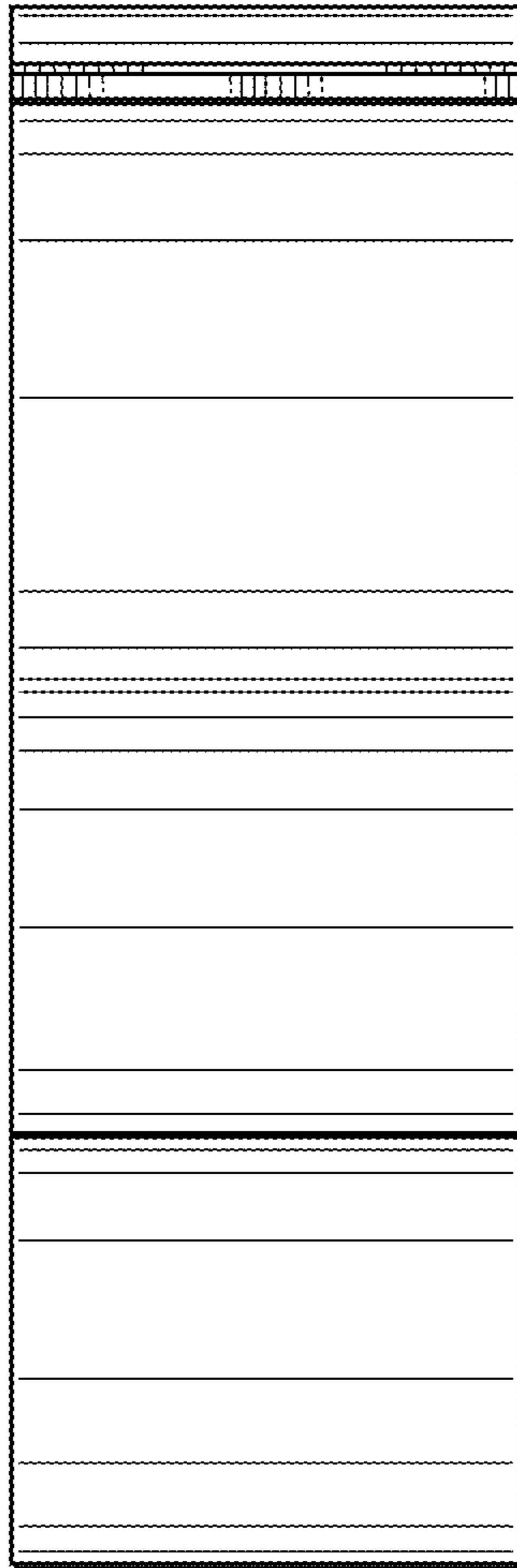


FIG. 4

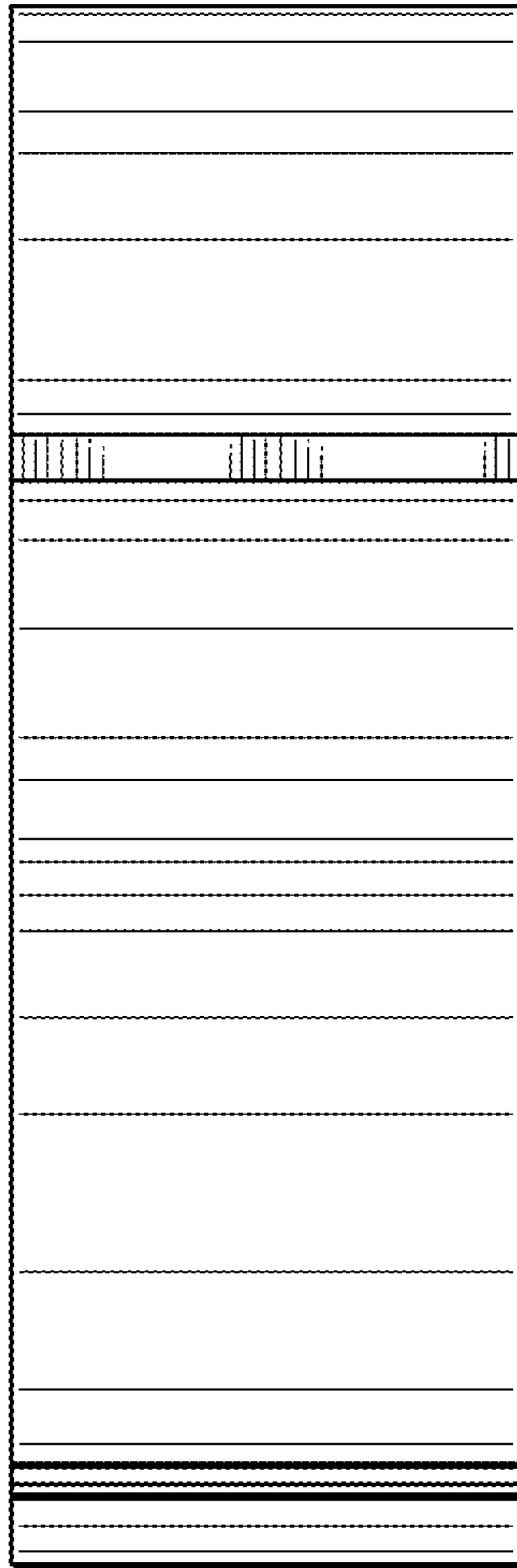


FIG. 5

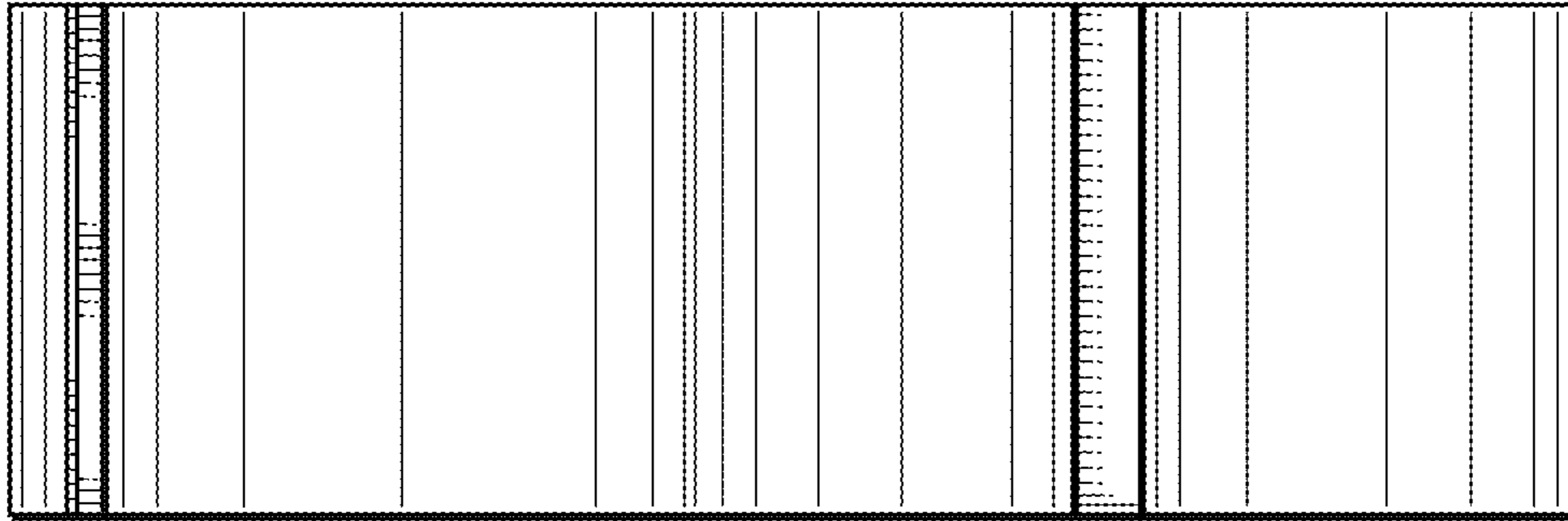


FIG. 6

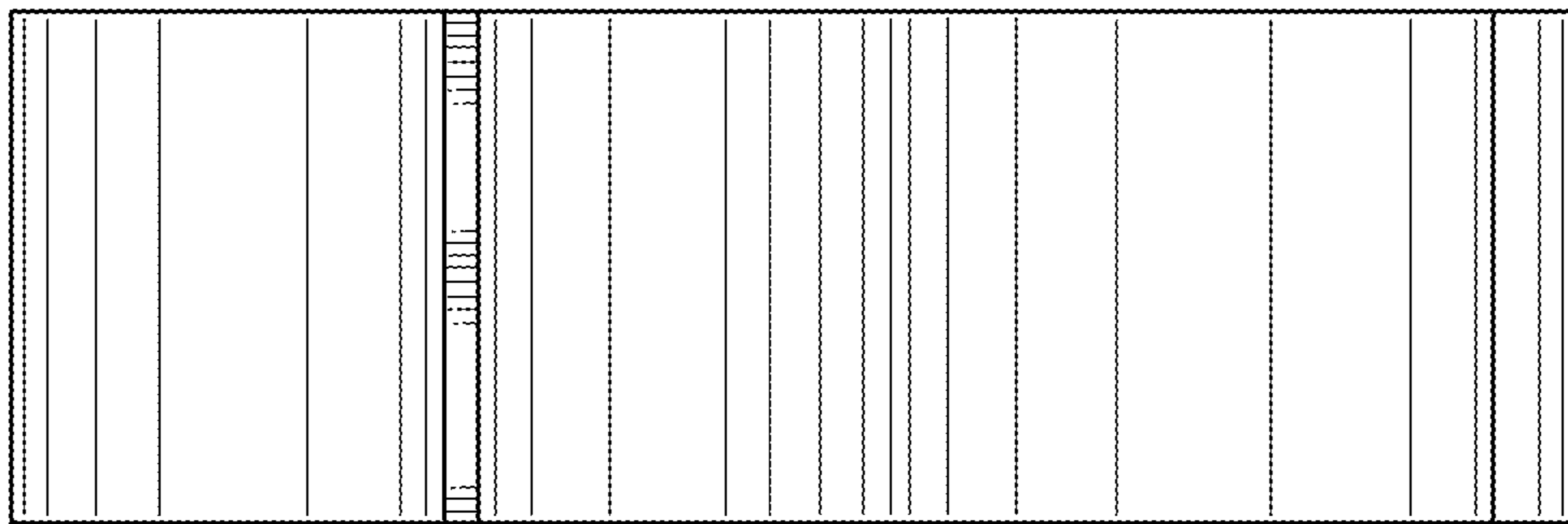


FIG. 7

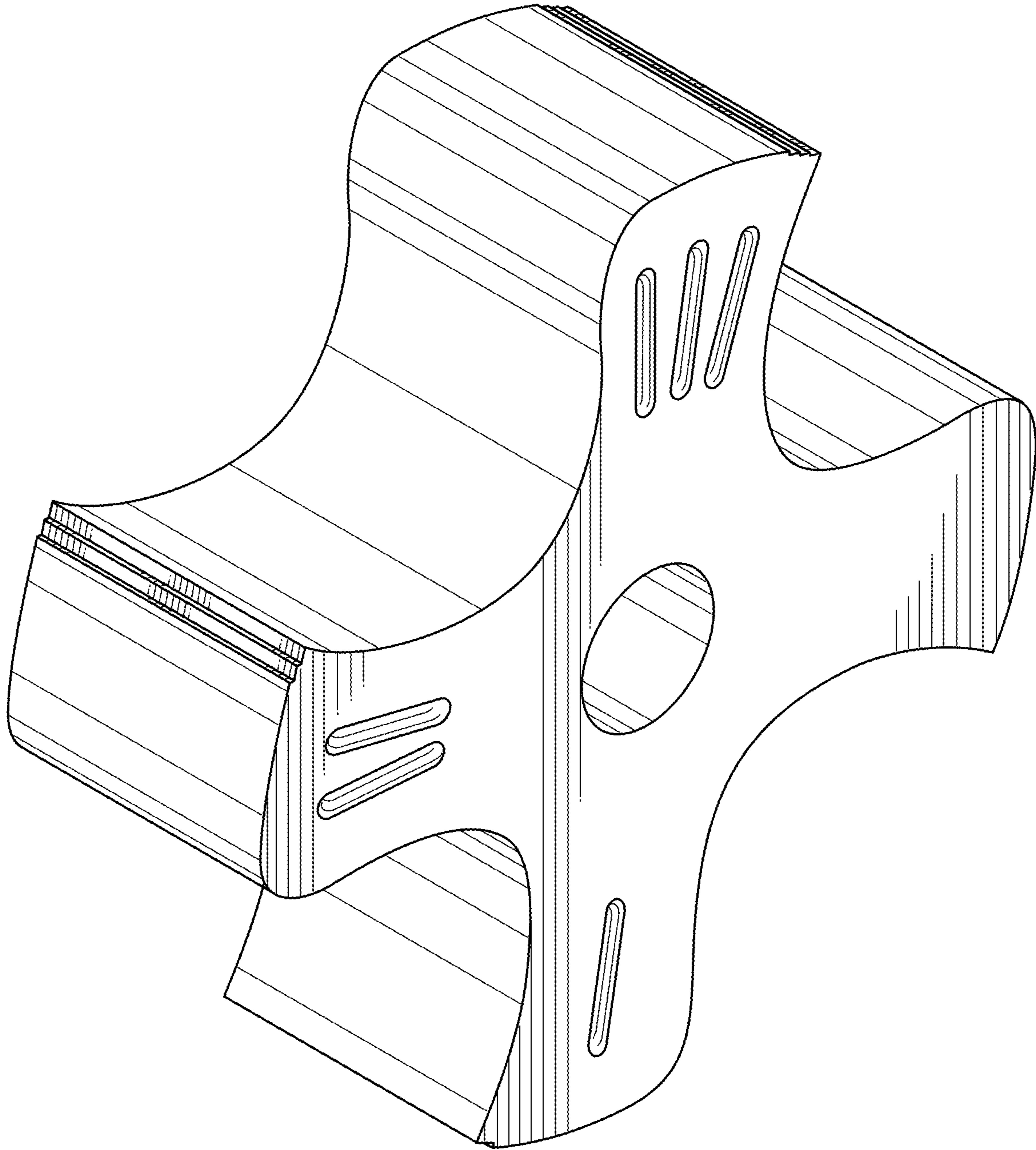


FIG. 8

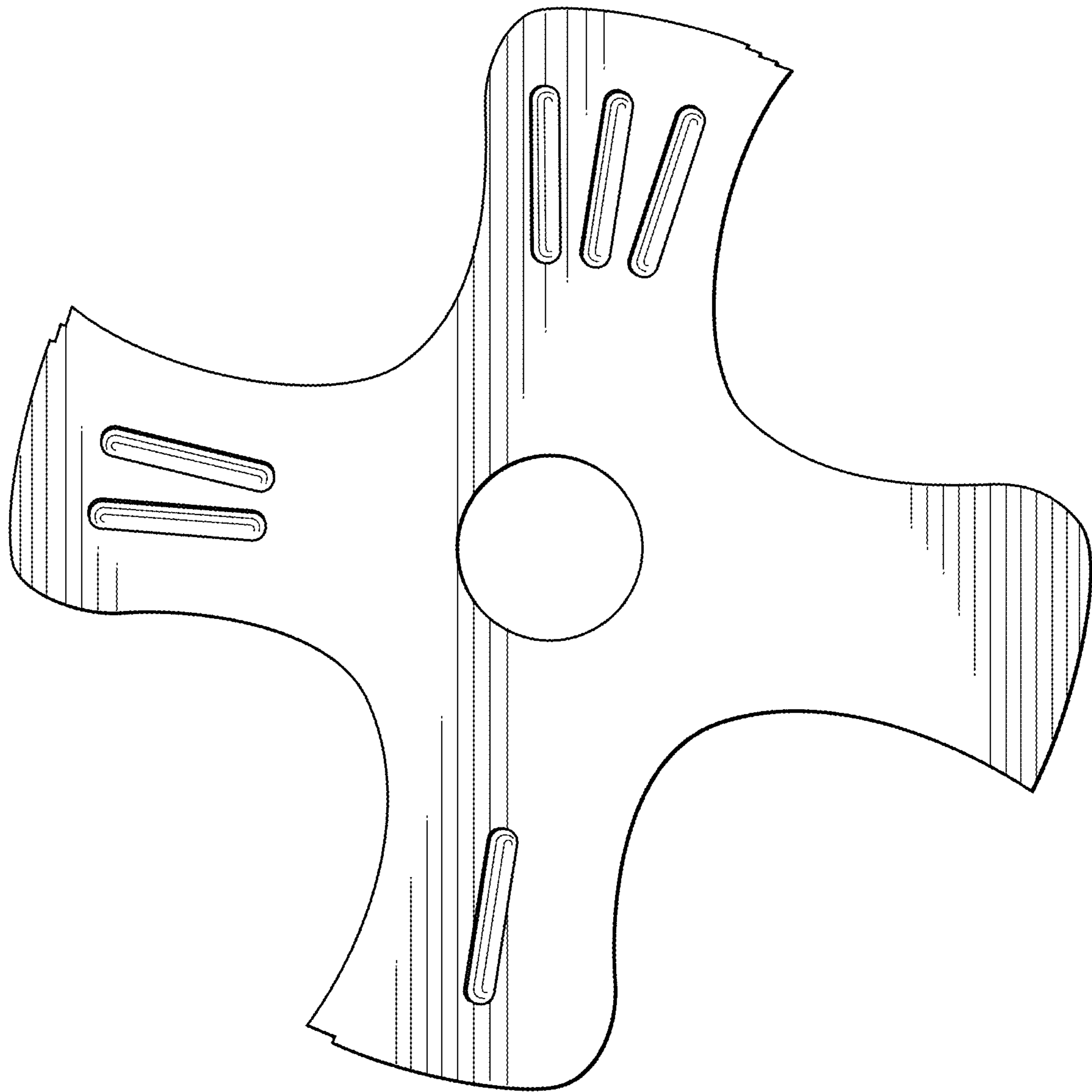


FIG. 9

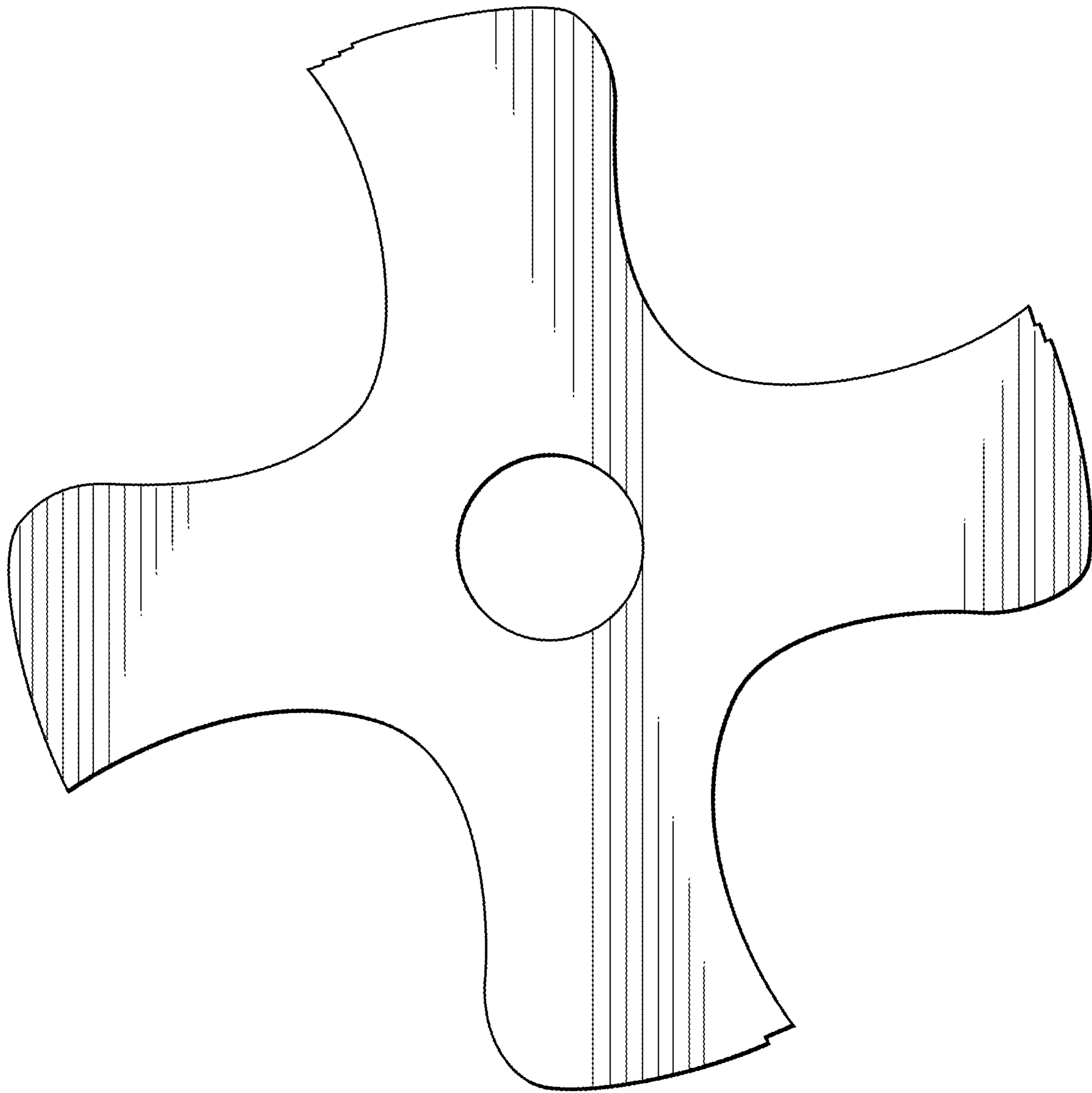


FIG. 10

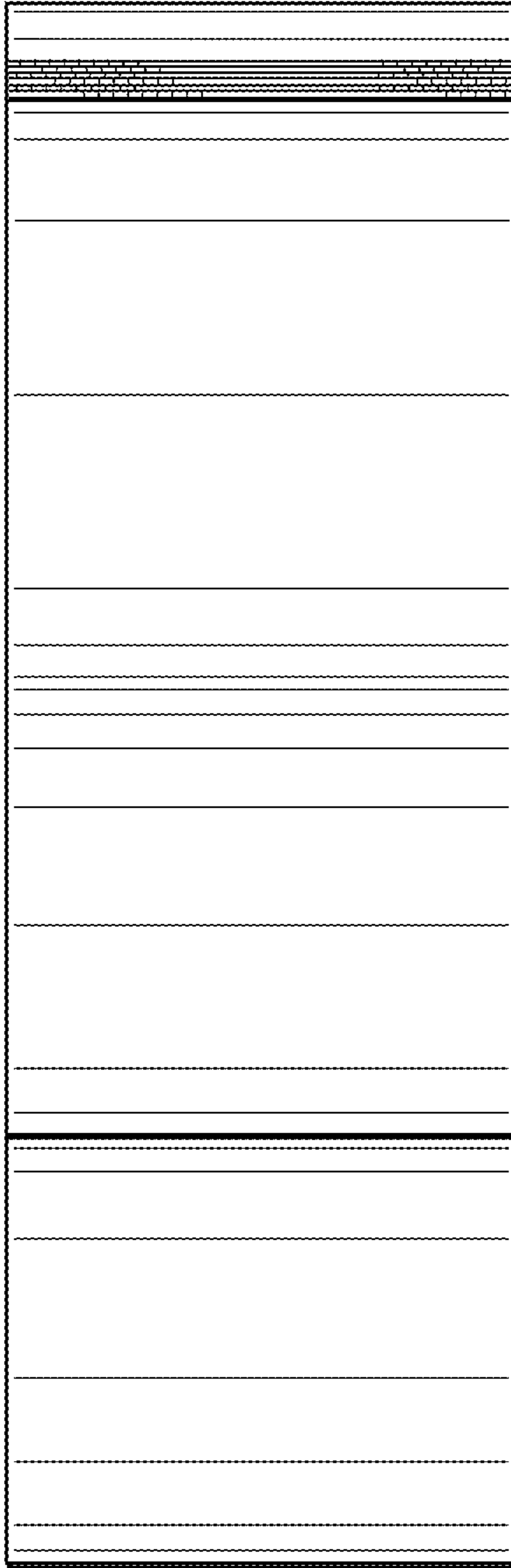


FIG. 11

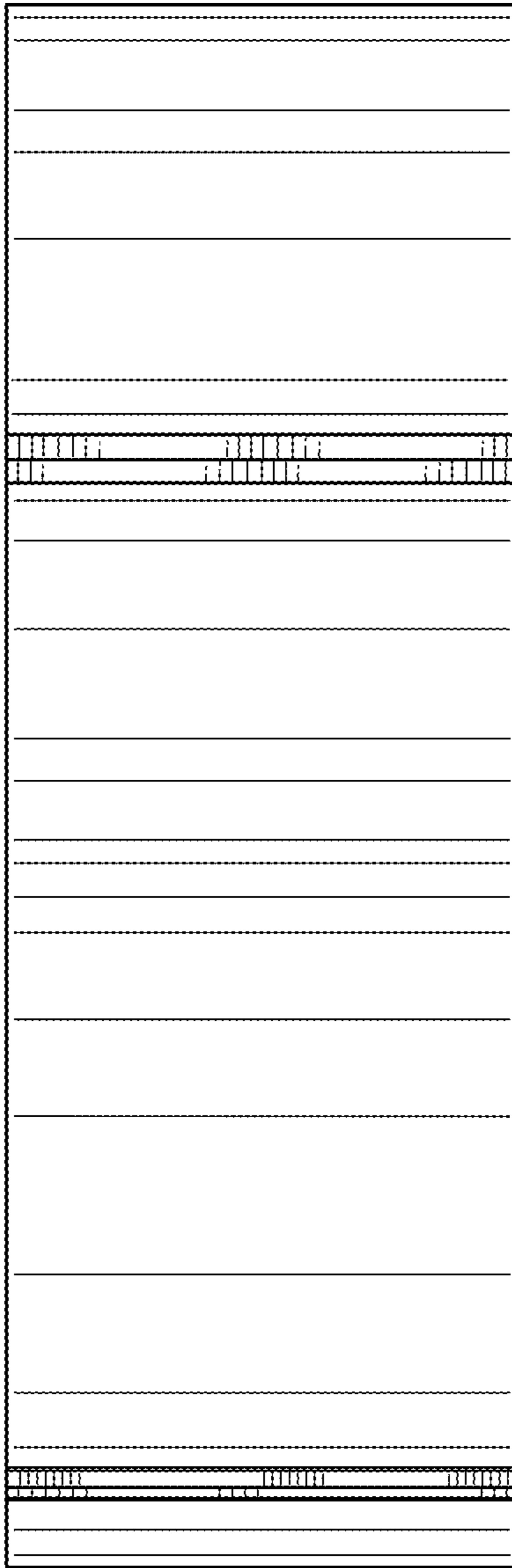


FIG. 12

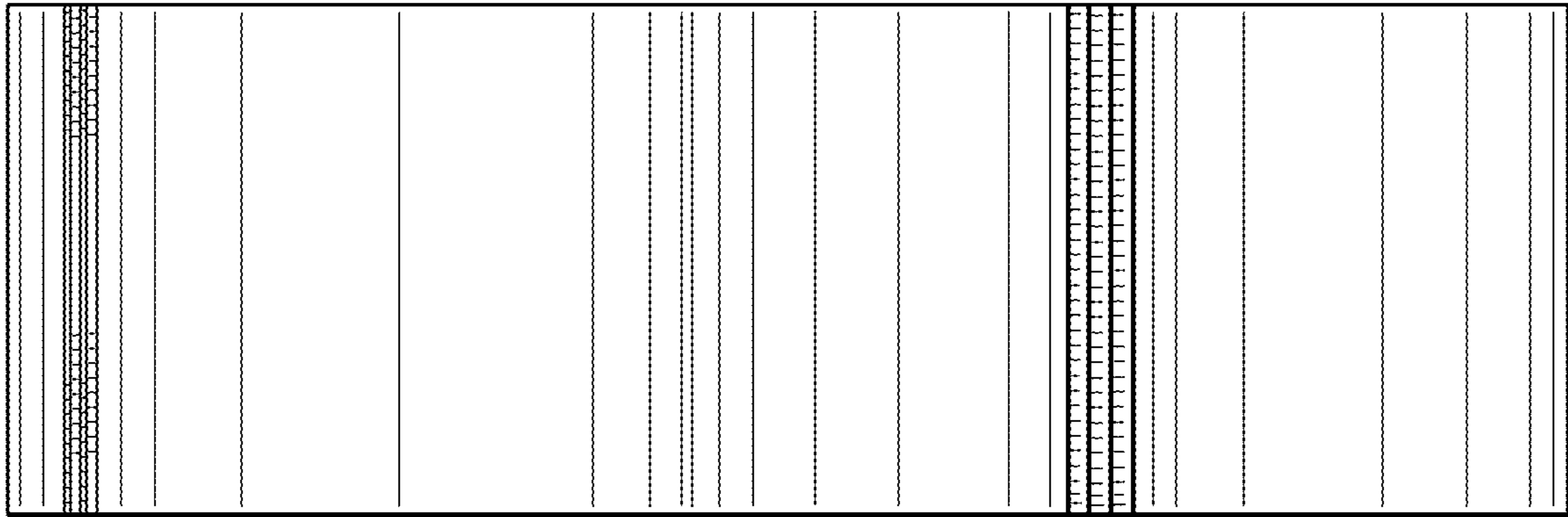


FIG. 13

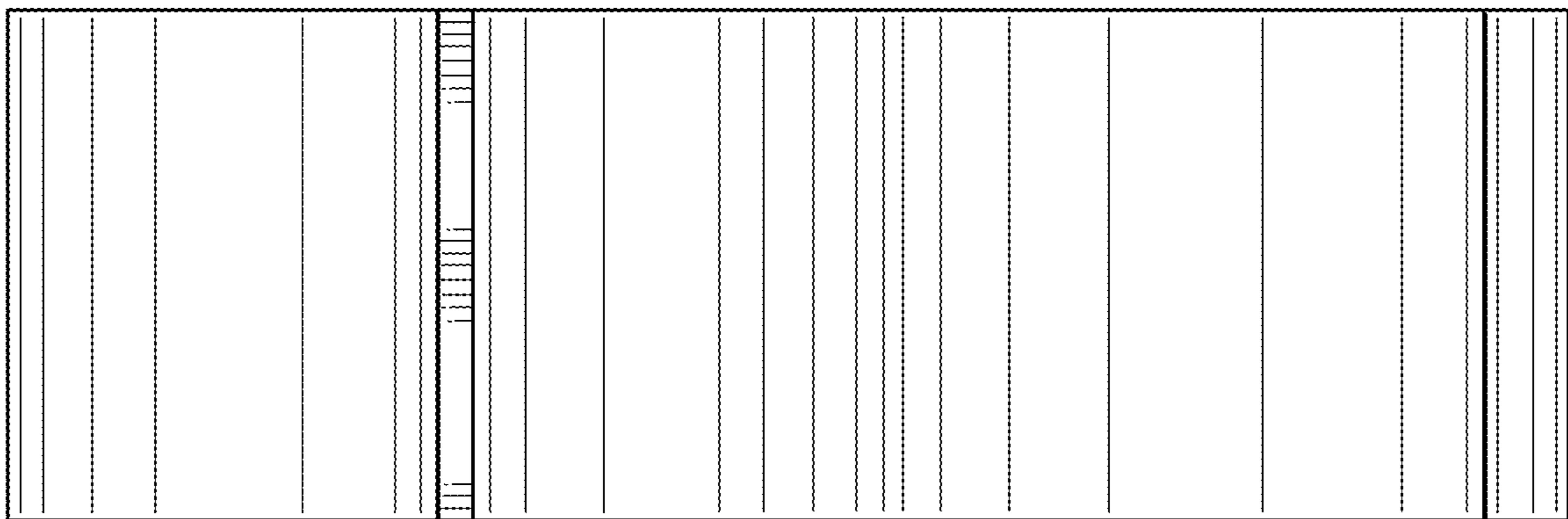


FIG. 14