



US00D942579S

(12) **United States Design Patent** (10) **Patent No.:** **US D942,579 S**
Haas (45) **Date of Patent:** **** Feb. 1, 2022**

(54) **COMBINED BOWSTRING JAW AND JAW HOUSING FOR A BOWSTRING RELEASE**

(71) Applicant: **FeraDyne Outdoors, LLC**, Superior, WI (US)

(72) Inventor: **Matthew Peter Haas**, Duluth, MN (US)

(73) Assignee: **FERADYNE OUTDOORS, LLC**, Superior, WI (US)

(**) Term: **15 Years**

(21) Appl. No.: **29/754,524**

(22) Filed: **Oct. 12, 2020**

Related U.S. Application Data

(60) Division of application No. 29/640,155, filed on Mar. 12, 2018, now Pat. No. Des. 903,033, which is a continuation of application No. PCT/US2017/057105, filed on Oct. 18, 2017.

(51) **LOC (13) Cl.** **22-01**

(52) **U.S. Cl.**
USPC **D22/107; D21/571**

(58) **Field of Classification Search**
USPC D22/100, 101, 102, 106, 107; D21/571
CPC F41C 23/14; F41C 23/20; F41C 23/04; F41C 23/00; F41C 23/10; F41C 27/00; F41C 7/00; F41C 23/06; F41C 3/00; F41B 5/10; F41B 5/14; F41B 5/0094; F41B 5/1469; F41B 5/00
See application file for complete search history.

(56) **References Cited**

U.S. PATENT DOCUMENTS

5,564,407 A * 10/1996 Linsmeyer F41B 5/1469 124/35.2
5,685,286 A * 11/1997 Summers F41B 5/1469 124/35.2

(Continued)

OTHER PUBLICATIONS

“A Breakdown of Different Archery Release Aids” [online]. Trail Kreitzer. [Published on Jun. 27, 2018]. Retrieved from the Internet: <<https://www.gohunt.com/read/skills/a-breakdown-of-different-archery-release-aids#gs.biz9aw>>.*

Primary Examiner — Mojtaba Tehrani

(74) *Attorney, Agent, or Firm* — Greenberg Traurig, LLP

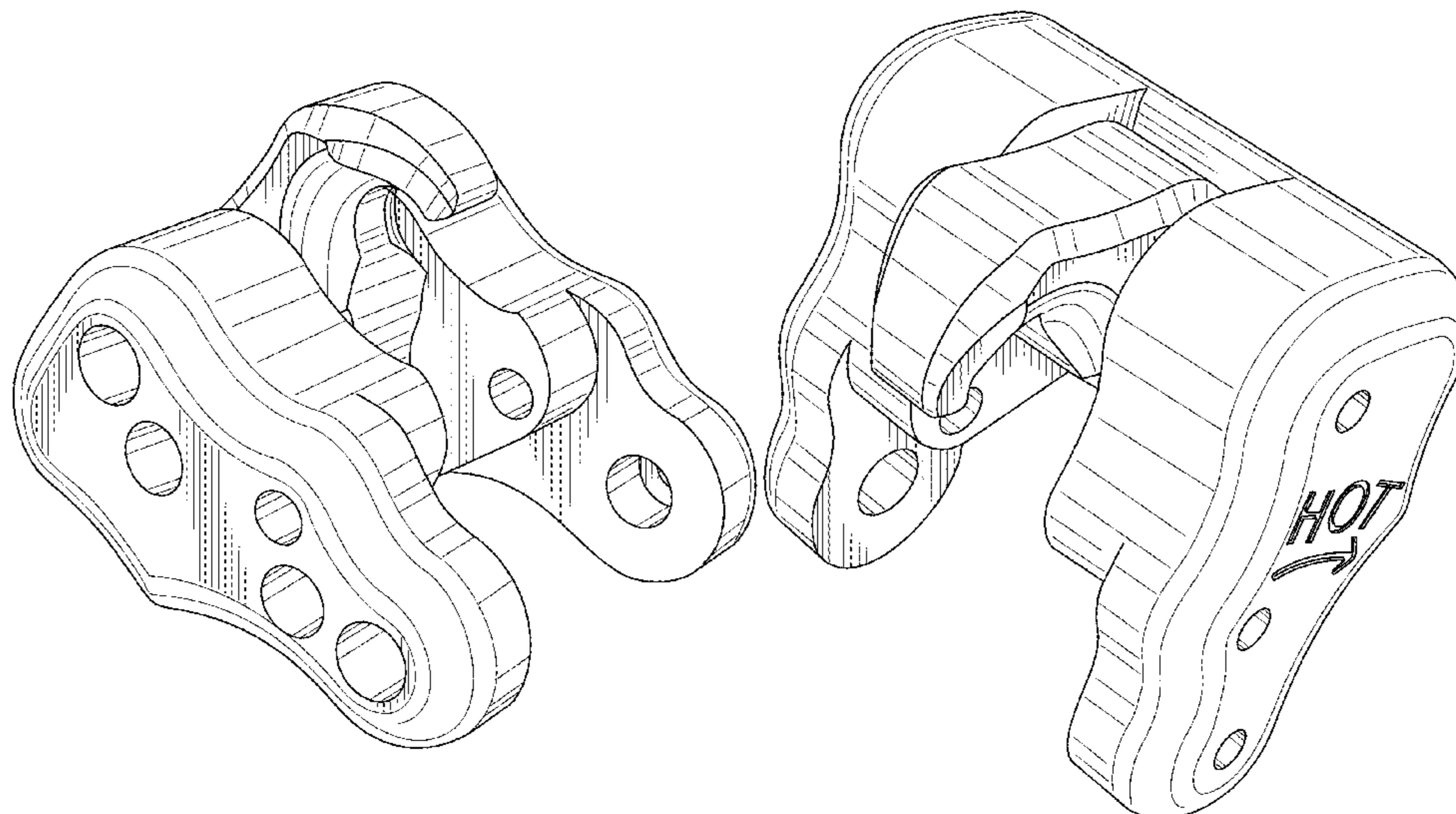
(57) **CLAIM**

The ornamental design for a combined bowstring jaw and jaw housing, as shown and described.

DESCRIPTION

FIG. 1 is a perspective view of a combined bowstring jaw and jaw housing for a bowstring release;
FIG. 2 is another perspective view thereof;
FIG. 3 is a perspective view of the bowstring jaw of the combined bowstring jaw and jaw housing, shown in isolation;
FIG. 4 is another perspective view thereof;
FIG. 5 is a side view thereof;
FIG. 6 is a front view thereof;
FIG. 7 is a rear view thereof;
FIG. 8 is a top view thereof;
FIG. 9 is a bottom view thereof;
FIG. 10 is a perspective view of the jaw housing illustrated of the combined bowstring jaw and jaw housing, shown in isolation;
FIG. 11 is another perspective view thereof;
FIG. 12 is a side view thereof;
FIG. 13 is the opposite side view thereof;
FIG. 14 is a front view thereof;
FIG. 15 is a rear view thereof;
FIG. 16 is a top view thereof; and,
FIG. 17 is a bottom view thereof.

1 Claim, 14 Drawing Sheets



(56)

References Cited

U.S. PATENT DOCUMENTS

6,571,786 B2 *	6/2003	Summers	F41B 5/1469	9,285,183 B2 *	3/2016	Rentz	F41B 5/1469
				124/35.2	9,429,384 B2 *	8/2016	Whalen	F41B 5/1469
6,584,966 B1 *	7/2003	Summers	F41B 5/1469	9,557,133 B2 *	1/2017	Rentz	F41B 5/1469
				124/35.2	9,612,077 B2 *	4/2017	Kelly	F41B 5/1469
6,631,709 B2 *	10/2003	Carter	F41B 5/1469	9,618,295 B1 *	4/2017	Rentz	F41B 5/1469
				124/35.2	9,702,658 B2 *	7/2017	Horn	F41B 5/1469
6,647,976 B2 *	11/2003	Summers	F41B 5/1469	D816,792 S *	5/2018	Kelly	D22/107
				124/35.2	9,982,961 B1 *	5/2018	Rentz	F41B 5/1469
6,895,951 B2 *	5/2005	Summers	F41B 5/1469	10,145,646 B2 *	12/2018	Kelly	F41B 5/1469
				124/35.2	10,801,803 B1 *	10/2020	Rentz	F41B 5/1469
8,622,051 B2 *	1/2014	Summers	F41B 5/1469	10,895,431 B1 *	1/2021	Major	F41B 5/1469
				124/35.2	10,948,260 B1 *	3/2021	Jones	F41B 5/1469
8,746,221 B2 *	6/2014	Rentz	F41B 5/1469	2004/0079351 A1 *	4/2004	Summers	F41B 5/1469
				124/35.2					124/35.2
9,027,540 B2 *	5/2015	Springer	F41B 5/1469	2012/0192844 A1 *	8/2012	Springer	F41B 5/1469
				124/35.2					124/35.2
9,250,032 B2 *	2/2016	Kelly	F41B 5/1469	2015/0090241 A1 *	4/2015	Kelly	F41B 5/1469
									124/35.2
					2017/0176129 A1 *	6/2017	Haas	B25G 1/01
					2019/0265000 A1 *	8/2019	Haas	F41B 5/1469

* cited by examiner

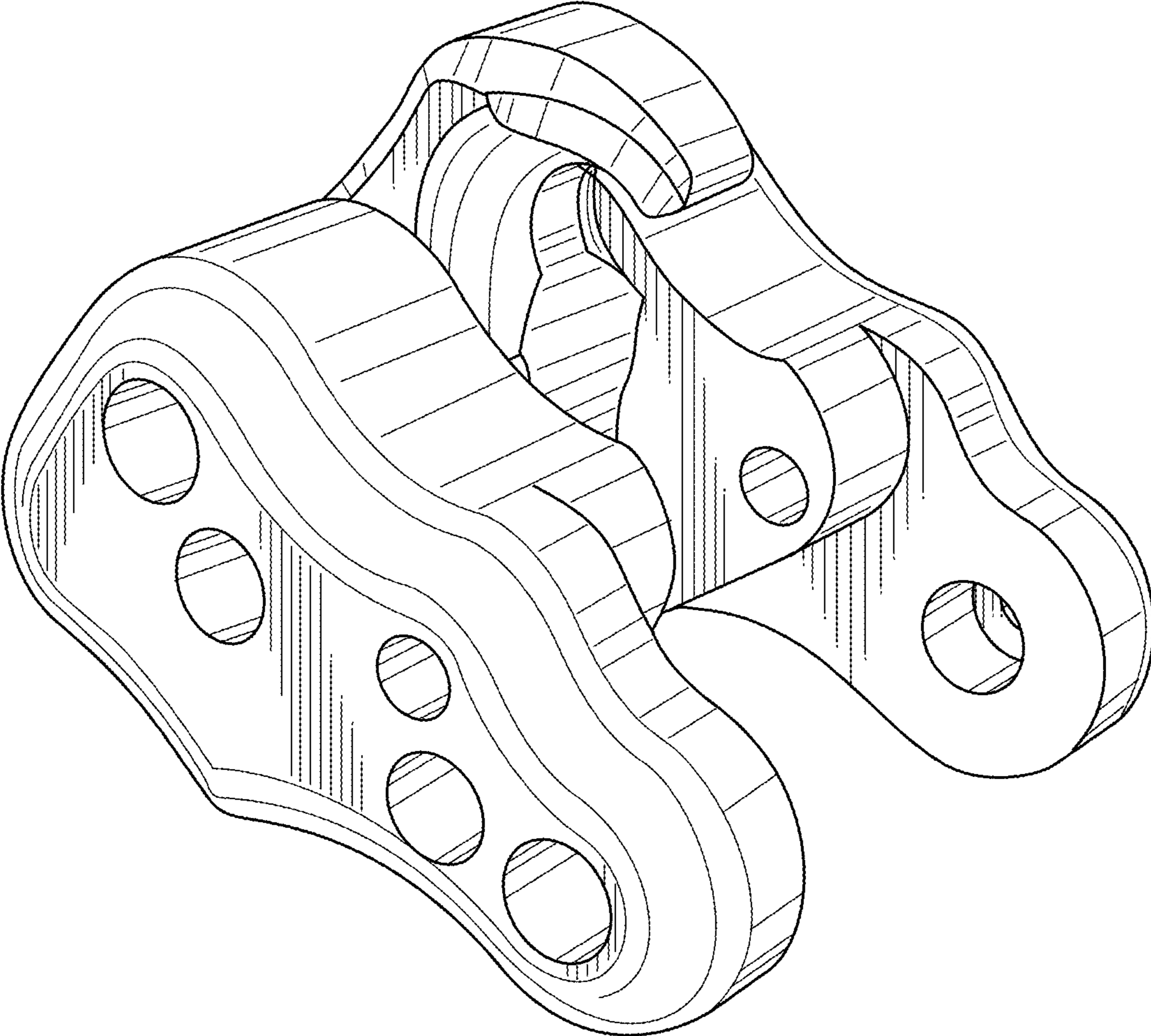


FIG. 1

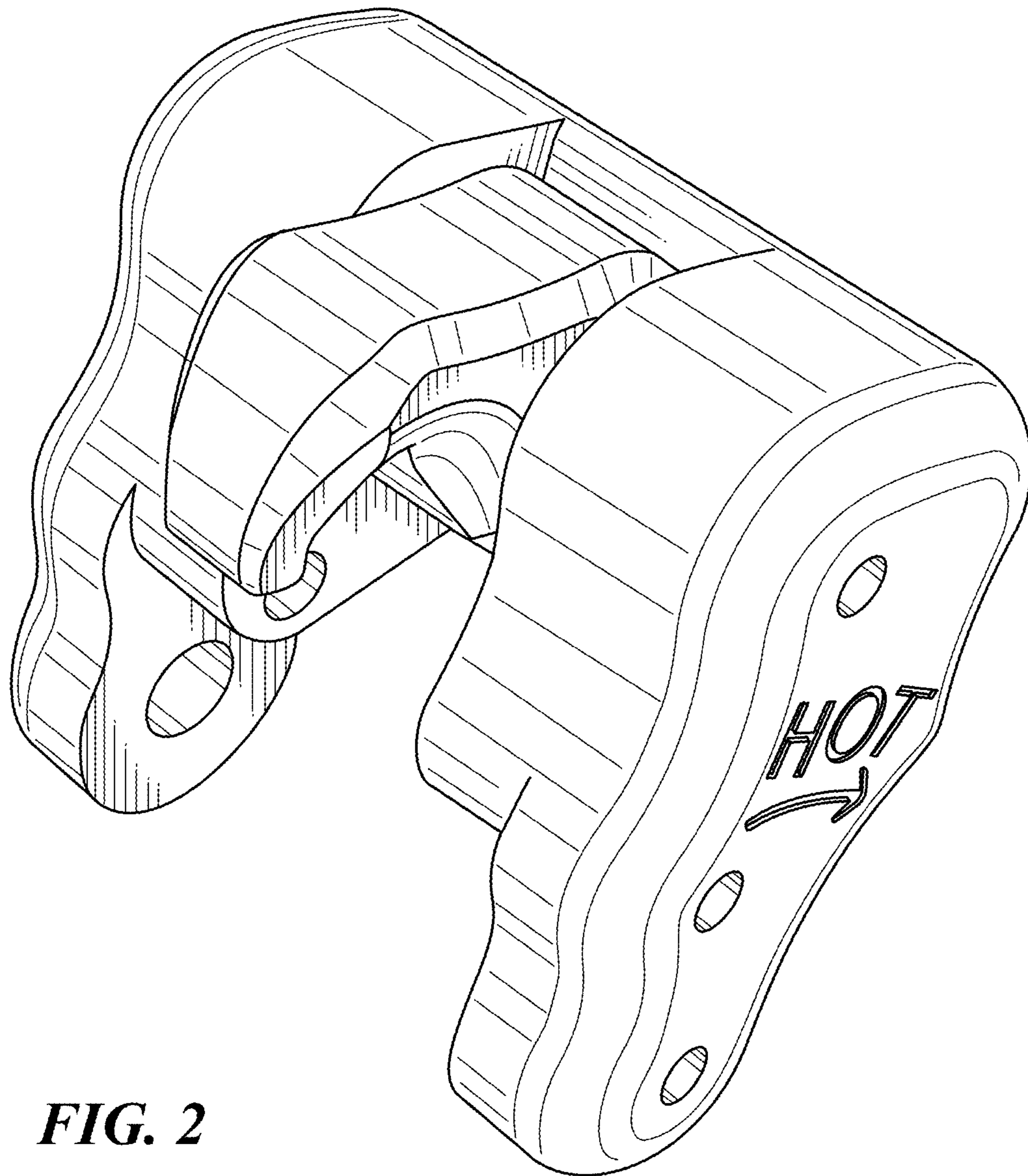


FIG. 2

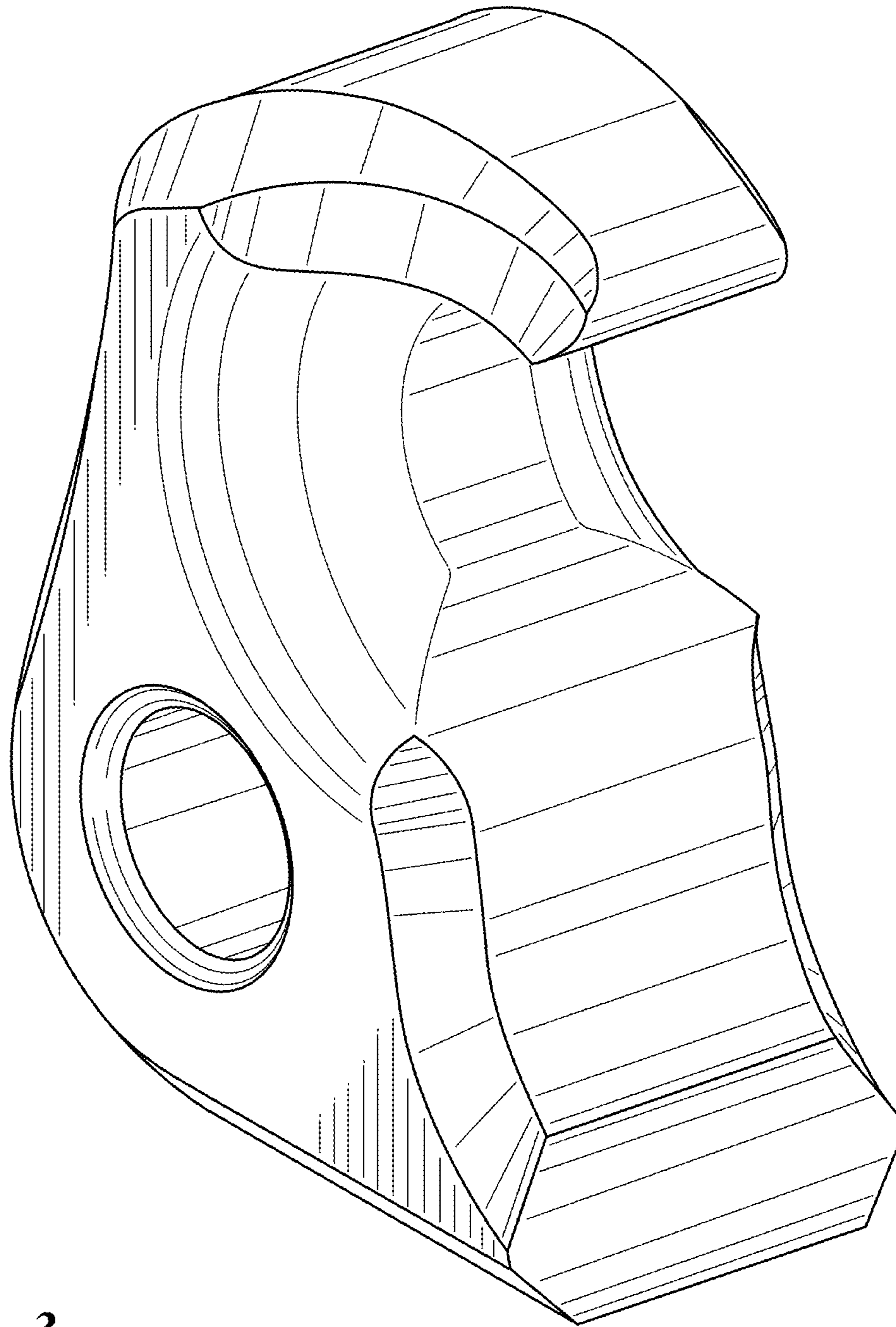


FIG. 3

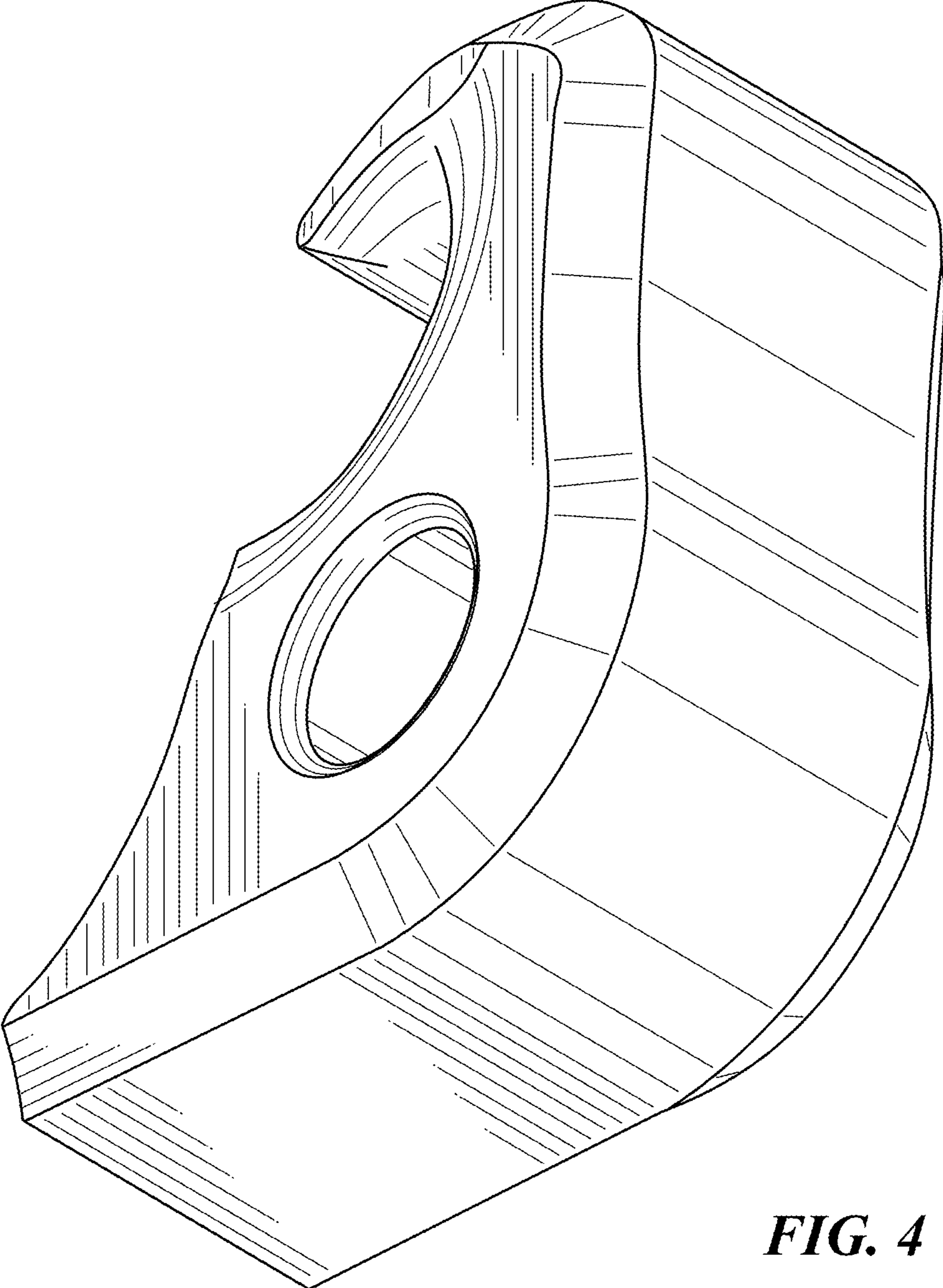


FIG. 4

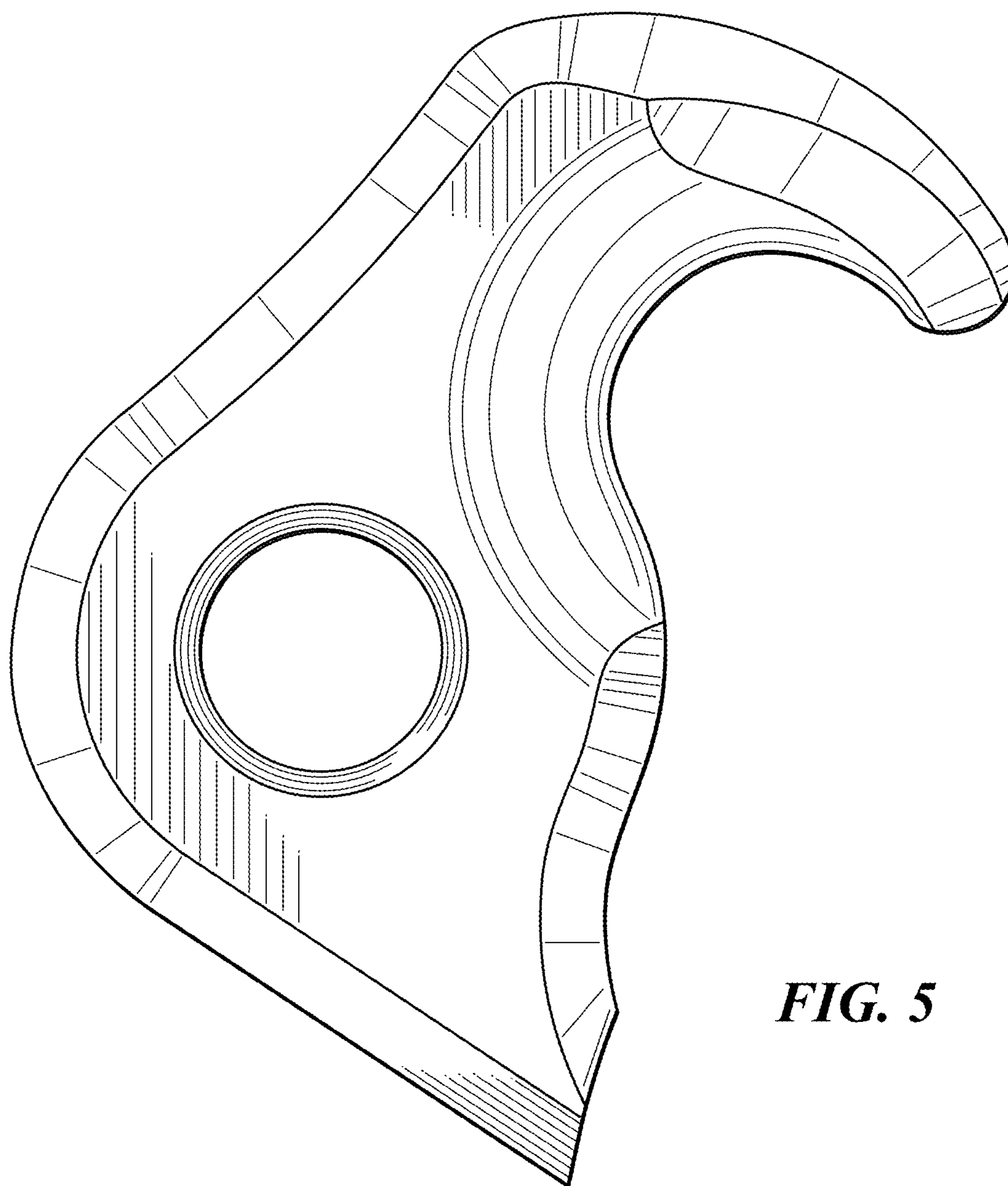


FIG. 5

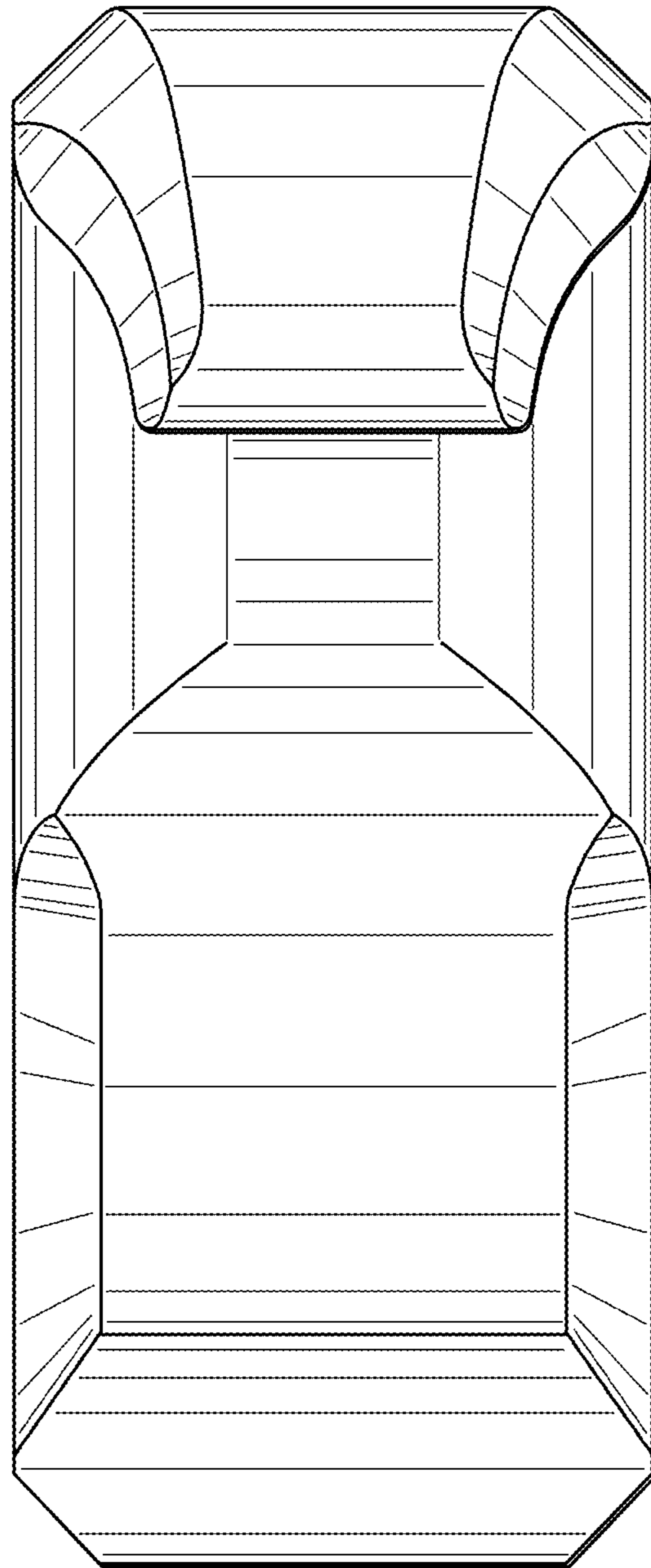


FIG. 6

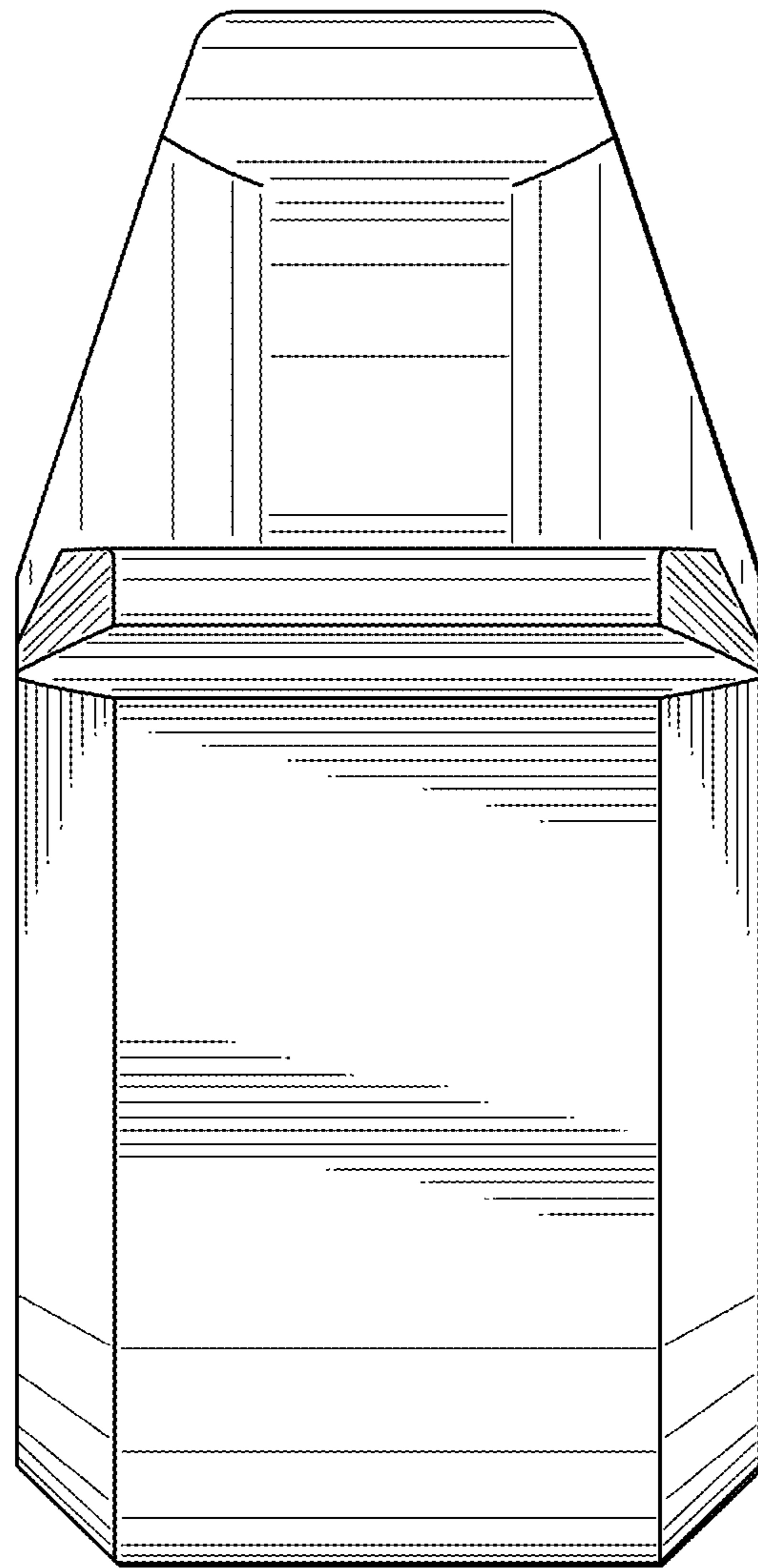


FIG. 7

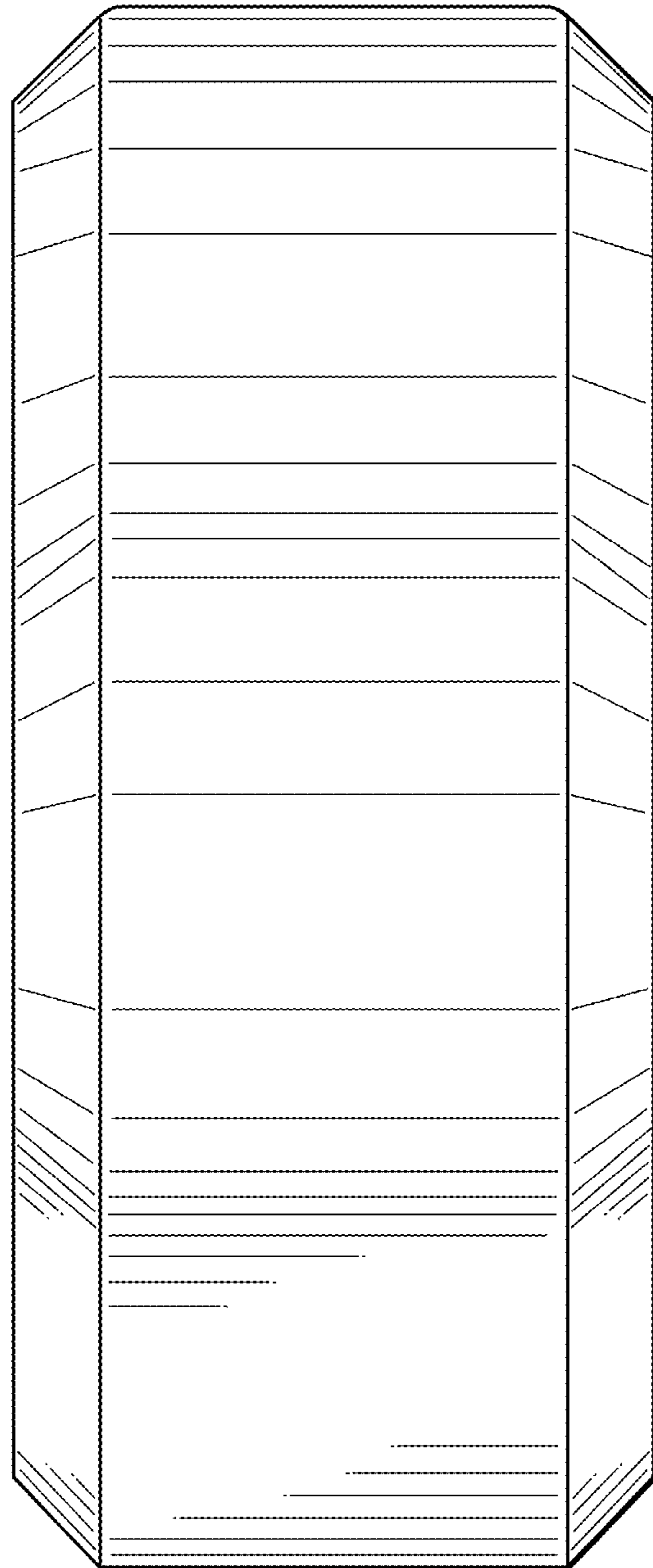


FIG. 8

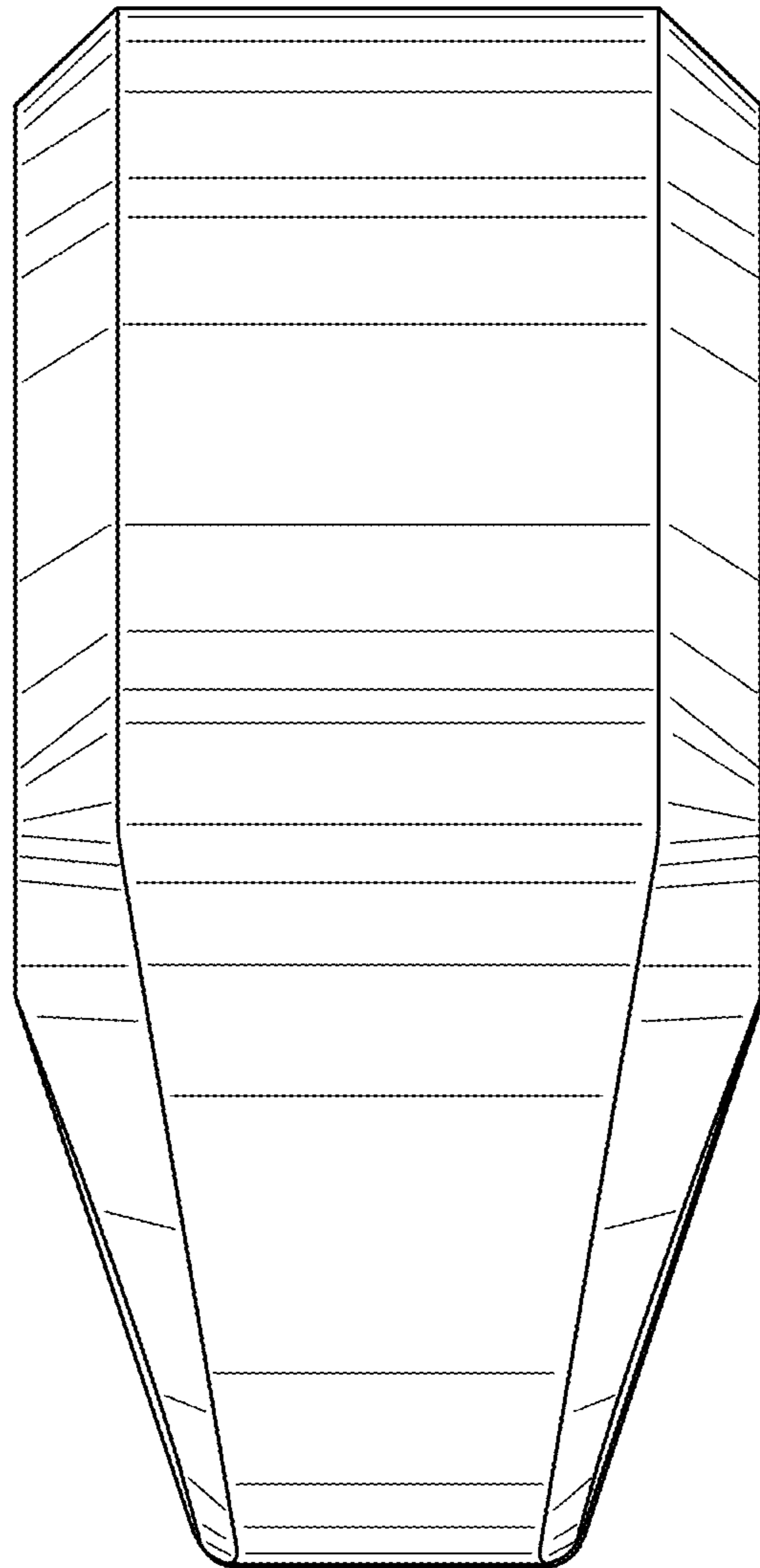


FIG. 9

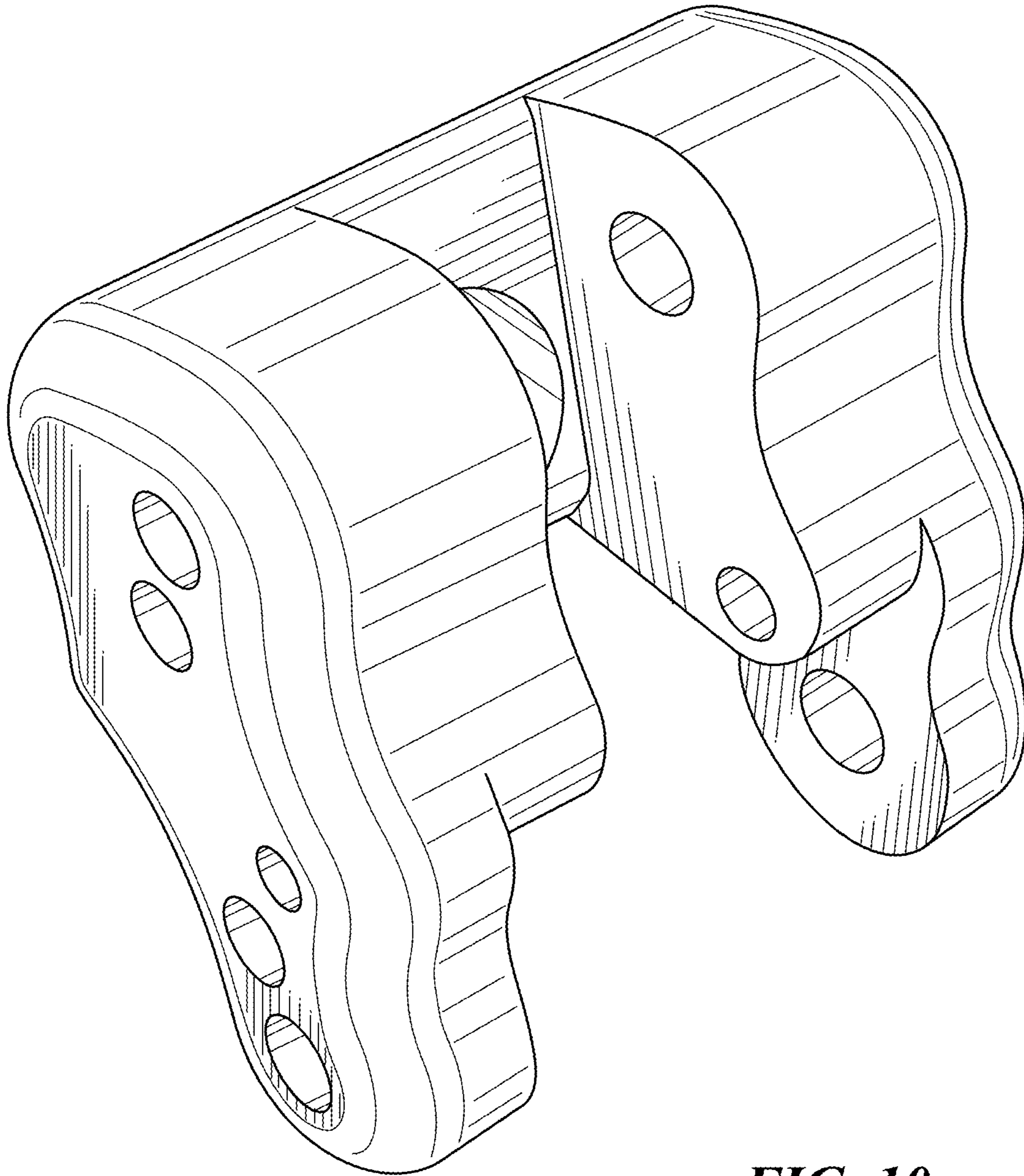


FIG. 10

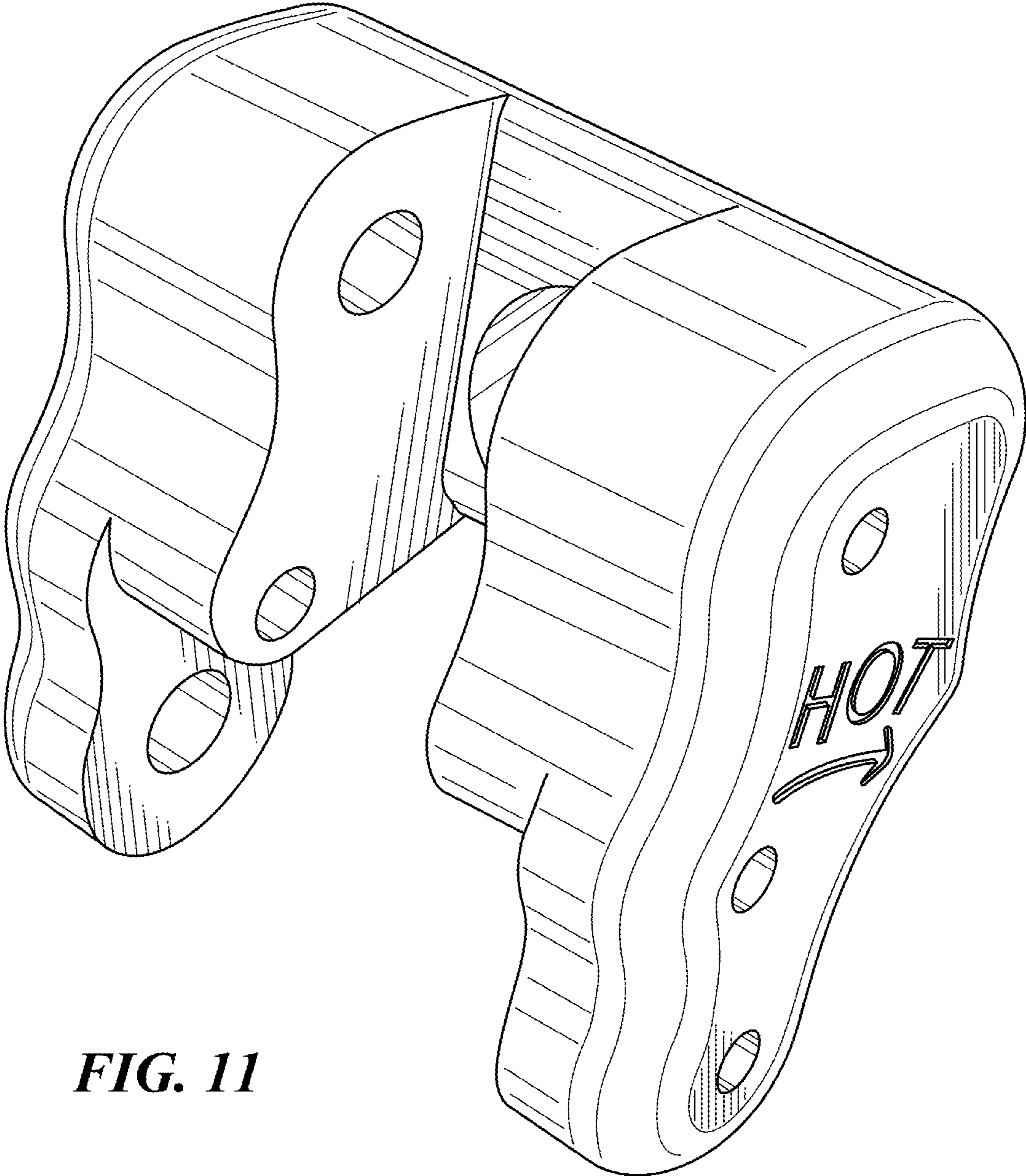


FIG. 11

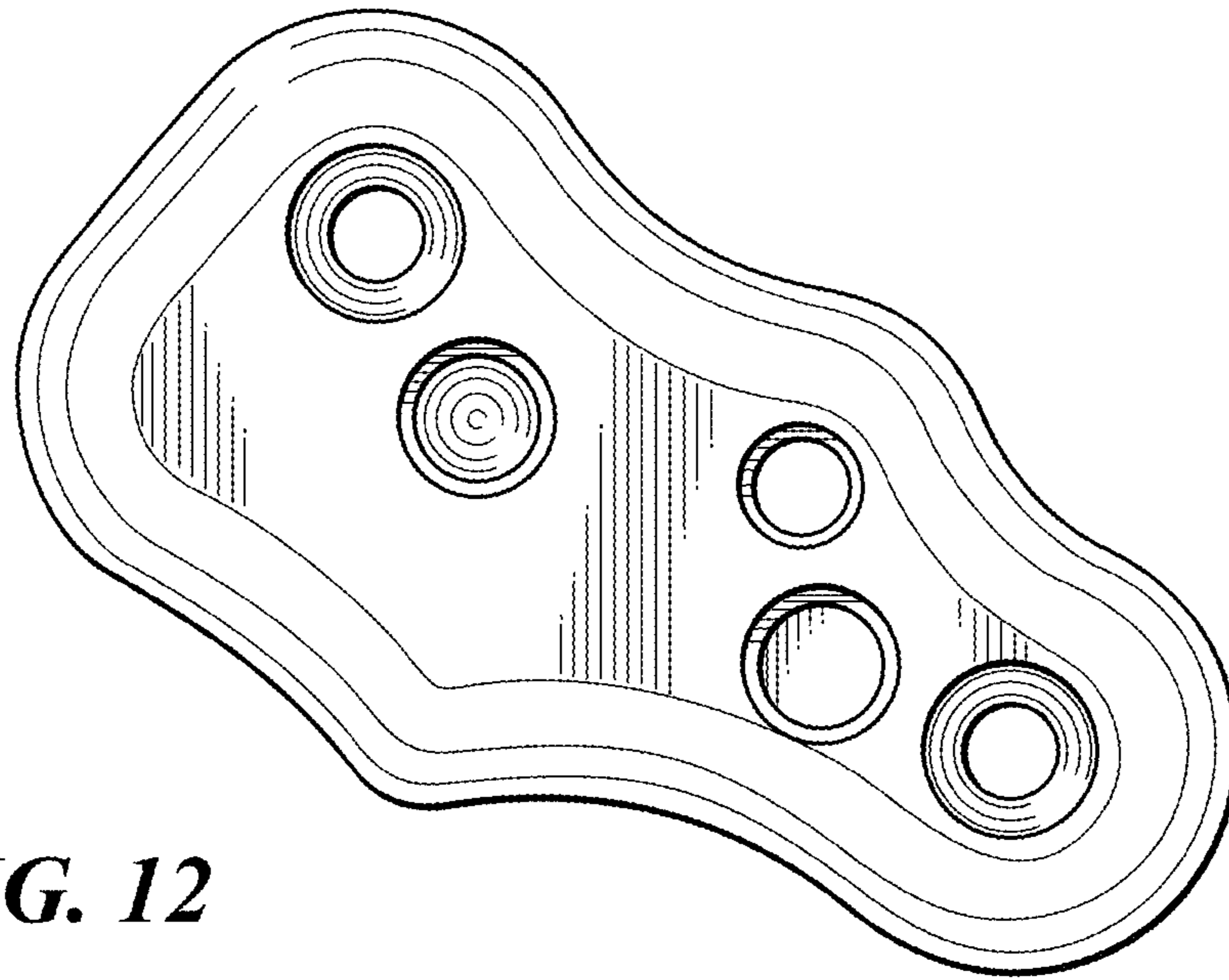


FIG. 12

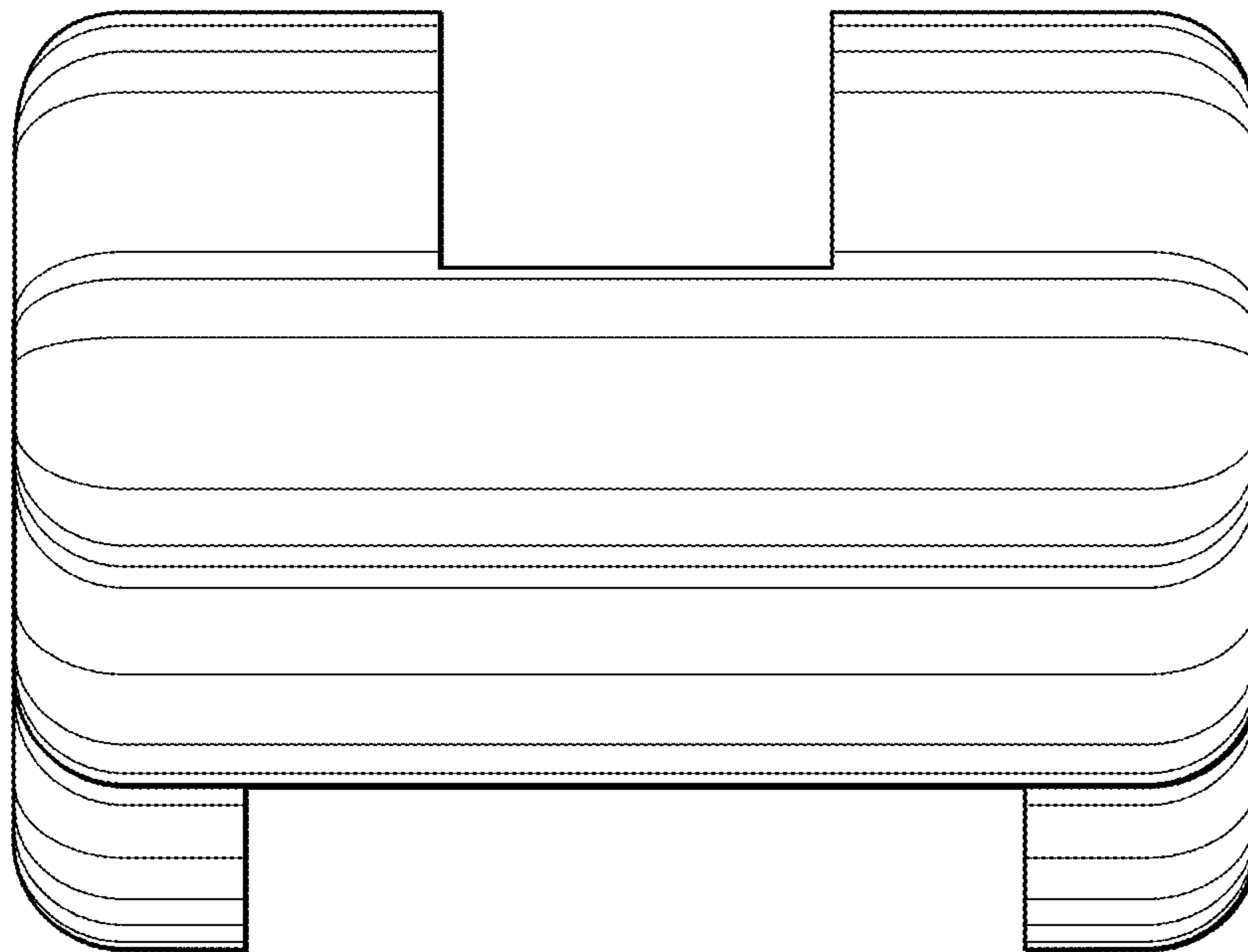


FIG. 15

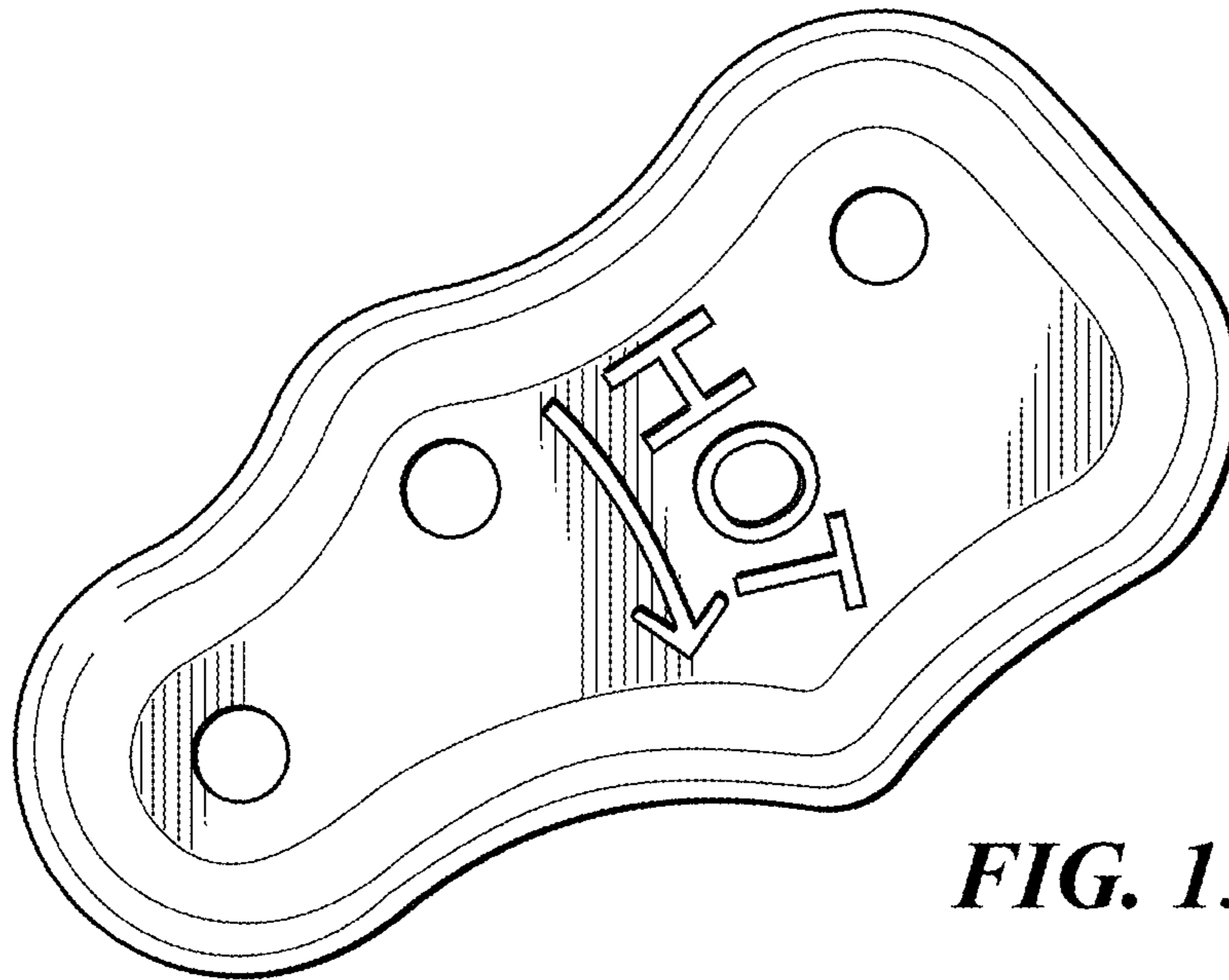


FIG. 13

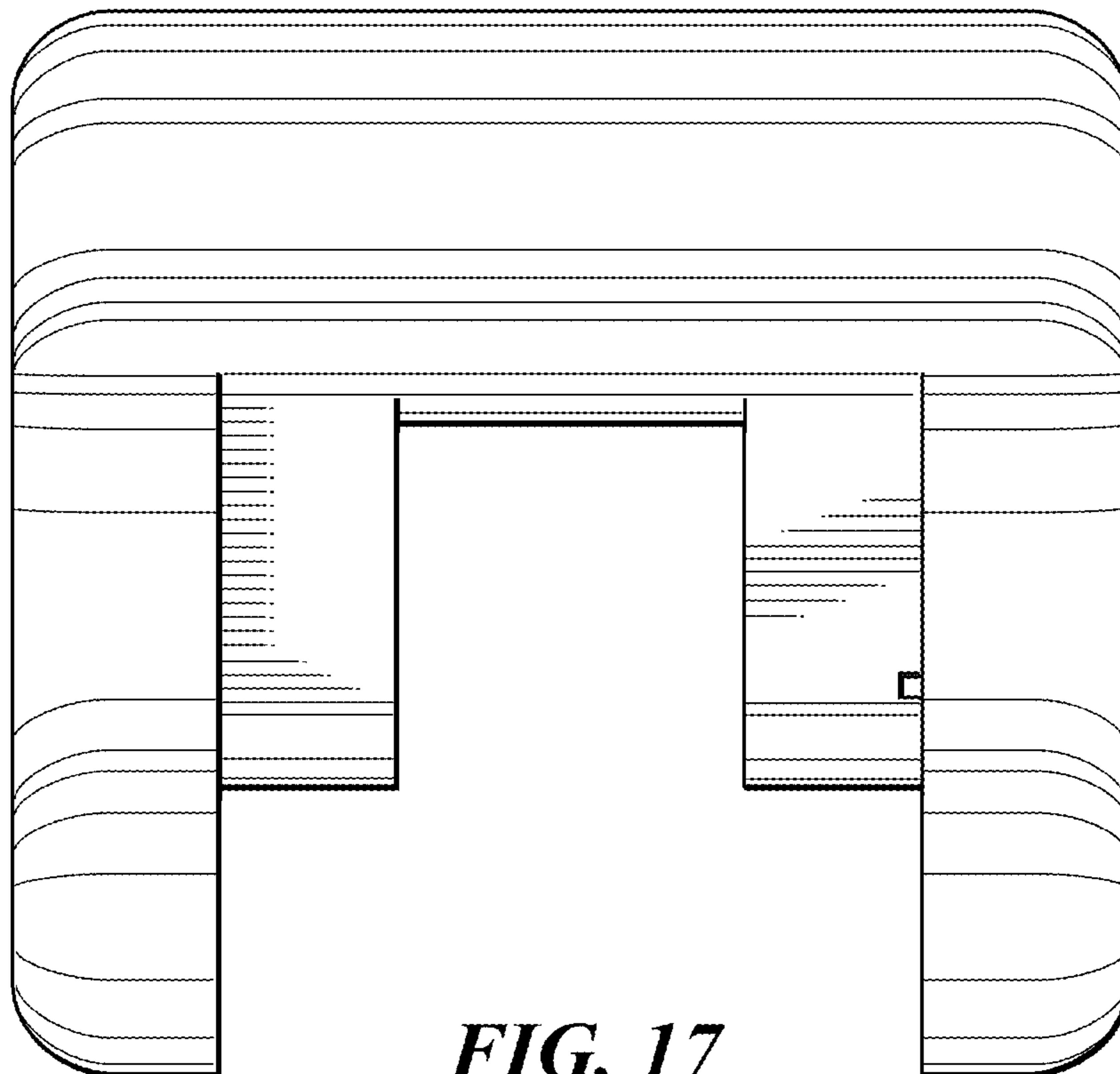


FIG. 17

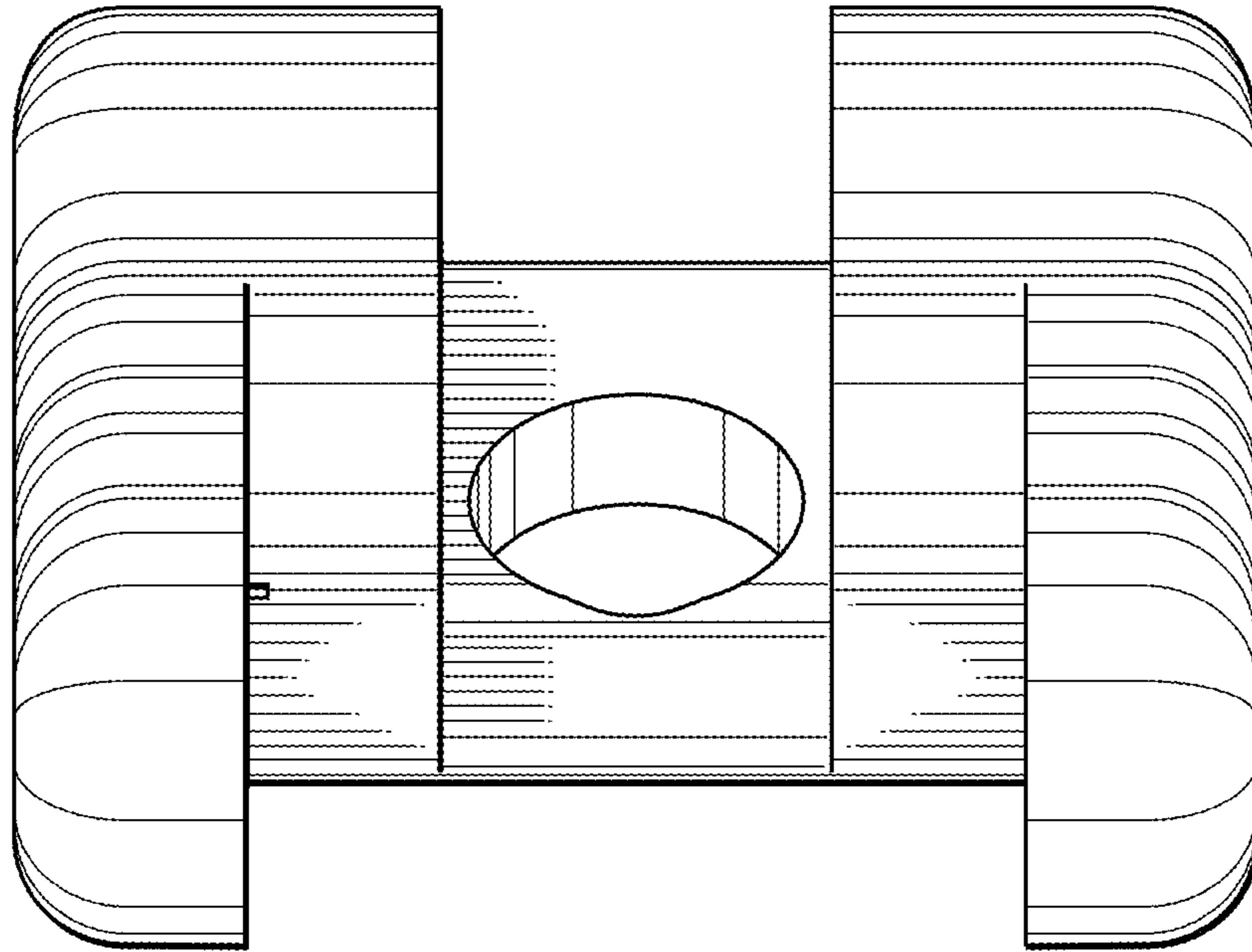


FIG. 14

FIG. 16

