



US00D942578S

(12) **United States Design Patent** (10) **Patent No.:** **US D942,578 S**
Barr (45) **Date of Patent:** **** Feb. 1, 2022**

(54) **CANNON**
(71) Applicant: **Jack Barr**, Carbondale, KS (US)
(72) Inventor: **Jack Barr**, Carbondale, KS (US)
(**) Term: **15 Years**
(21) Appl. No.: **29/739,491**
(22) Filed: **Jun. 25, 2020**
(51) **LOC (13) Cl.** **22-01**
(52) **U.S. Cl.**
USPC **D22/100**
(58) **Field of Classification Search**
USPC D22/100, 101, 103, 104, 105; D21/567,
D21/570, 573, 574, 575
CPC F41C 3/00; F41C 3/04; F41C 3/14; F41C
3/16; F41C 7/00; F41A 27/08; F41A
27/30; F41A 3/58
See application file for complete search history.

(56) **References Cited**
U.S. PATENT DOCUMENTS
623,159 A * 4/1899 Jacobs F41C 3/04
42/55
725,332 A * 4/1903 Frowe F41C 3/04
42/55
1,183,940 A * 5/1916 Wickette F41B 7/006
124/29
1,504,819 A * 8/1924 Hanwell F41C 3/00
42/55
1,533,332 A * 4/1925 Norris A45C 1/12
446/10
1,591,180 A * 7/1926 Pfeifer F41C 3/06
42/55
1,765,561 A * 6/1930 Blackmore F41C 3/06
42/55
2,030,507 A * 2/1936 Driggs F41A 27/08
89/37.02
2,274,009 A * 2/1942 Stephens F41C 3/06
42/55

2,336,391 A * 12/1943 Burchett F41B 7/00
446/23
2,466,714 A * 4/1949 Kroeger F41A 1/08
89/1.703
2,493,429 A * 1/1950 Wagman F41B 7/006
124/29
2,679,242 A * 5/1954 Graham F16L 21/00
124/79

(Continued)

OTHER PUBLICATIONS

Mr. Unique. "How to make a cannon | Make powerful cannon With paper | DIY powerful paper cannon || DIY toys." Youtube.com, posted: Nov. 1, 2019 [visited: Sep. 17, 2021] URL: <https://www.youtube.com/watch?v=hxuAj-7kkcc> (Year: 2019).*

(Continued)

Primary Examiner — Marissa J Cash
Assistant Examiner — Jessie Anne E Touart

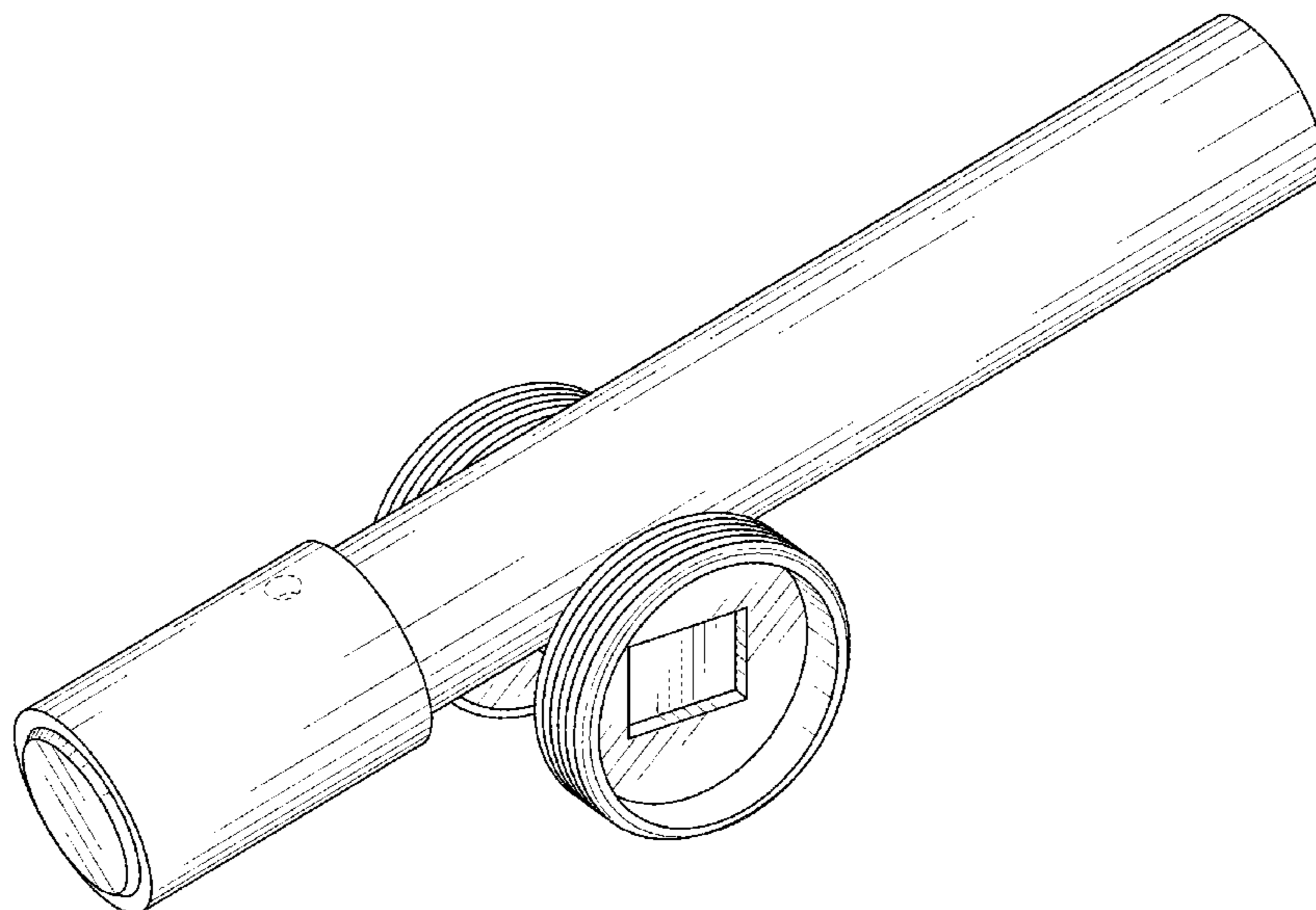
(57) **CLAIM**

The ornamental design for a cannon, as shown and described.

DESCRIPTION

FIG. 1 is a front-top perspective view of a cannon showing my new design;
FIG. 2 is a front-bottom perspective view thereof;
FIG. 3 is a rear-top perspective view thereof;
FIG. 4 is a rear-bottom perspective view thereof;
FIG. 5 is a front elevational view thereof;
FIG. 6 is a rear elevational view thereof;
FIG. 7 is a left elevational view thereof;
FIG. 8 is a right elevational view thereof;
FIG. 9 is a top plan view thereof; and,
FIG. 10 is a bottom plan view thereof.
The broken lines in the drawings illustrate portions of the cannon which form no part of the claimed design.

1 Claim, 10 Drawing Sheets



(56)

References Cited

U.S. PATENT DOCUMENTS

2,754,607 A * 7/1956 Wily F41C 3/04
42/55
3,022,597 A * 2/1962 Rucker F41A 19/58
42/55
3,050,893 A * 8/1962 Maddux F41C 3/00
42/55
3,921,980 A * 11/1975 Artzer F41J 11/00
273/405
4,012,986 A * 3/1977 Germershausen F41A 1/08
89/17
D392,712 S * 3/1998 Hammans D22/100
D509,768 S * 9/2005 Tassone D11/157

OTHER PUBLICATIONS

M Creative Studio. "How to make Cannon with paper | Powerful Cannon Paper with Match Explode | DIY Cannon." Youtube.com, posted: Oct. 12, 2019 [visited: Sep. 17, 2021] URL: <https://www.youtube.com/watch?v=o2cJ32W7NmU> (Year: 2019).*

Rfbat. "Ping Pong Ball Cannon" Cults3d.com, posted Aug. 19, 2021 [visited: Sep. 17, 2021] URL: <https://cults3d.com/en/3d-model/gadget/canon-a-balle-de-ping-pong> (Year: 2021).*

* cited by examiner

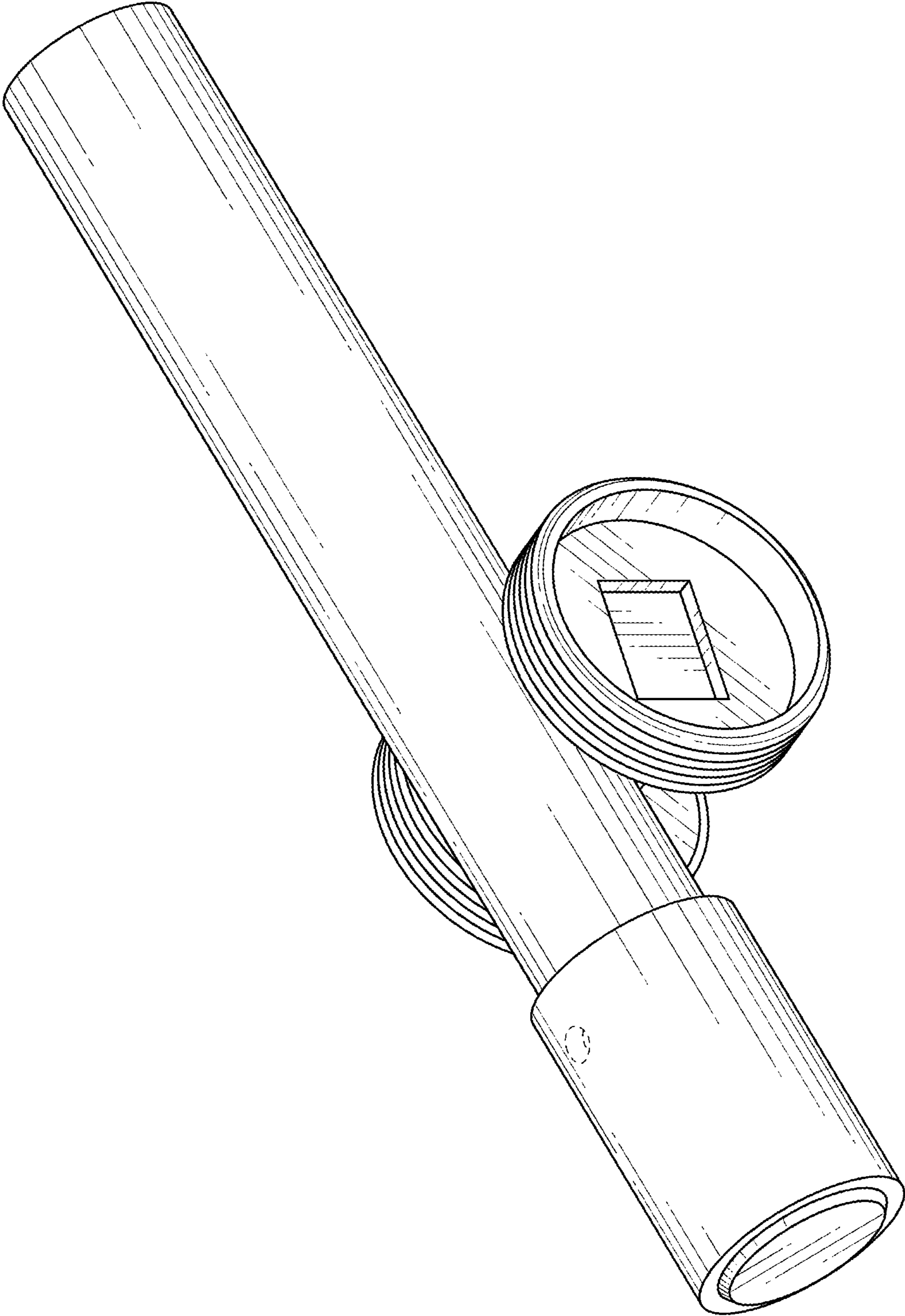


FIG. 1

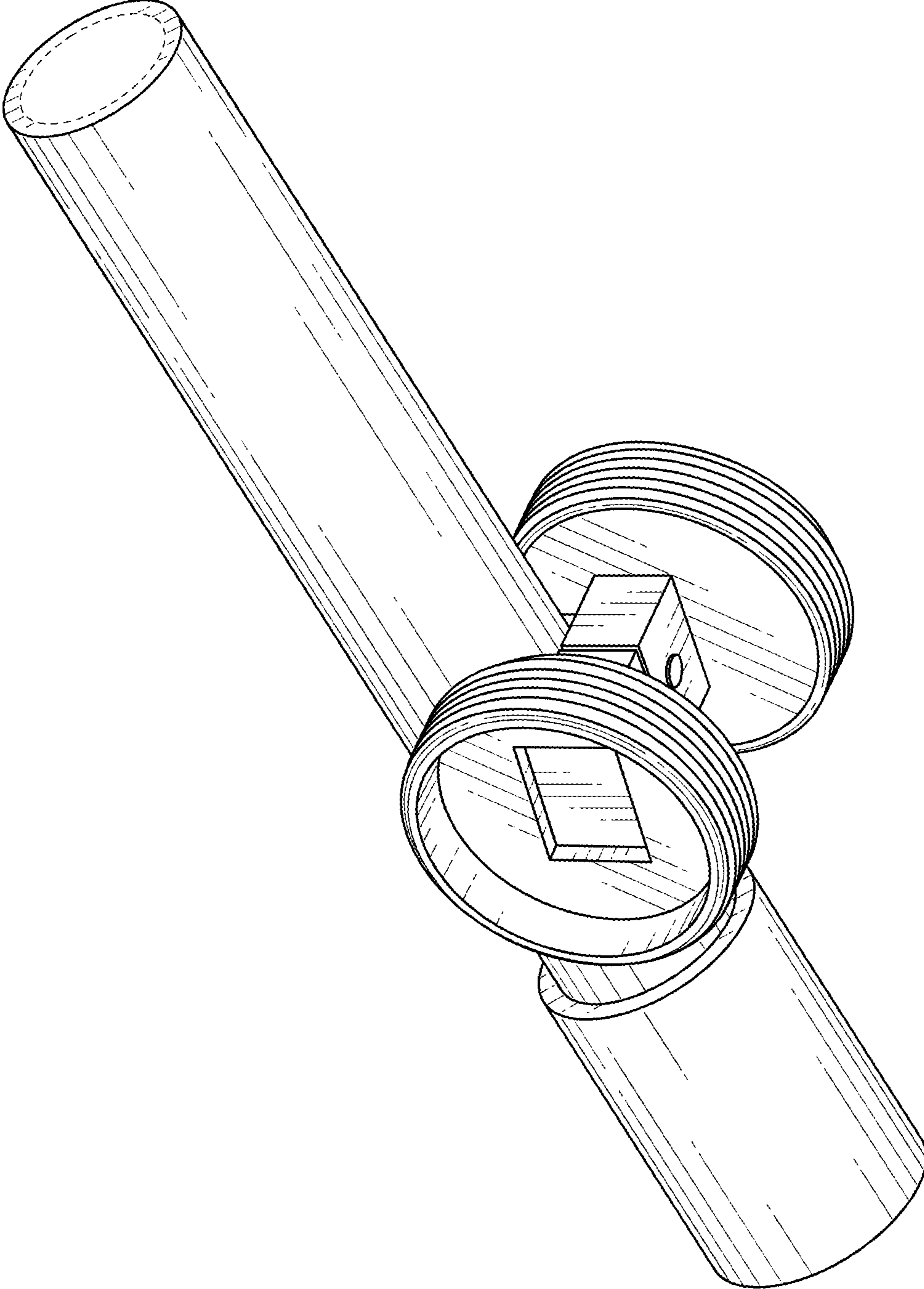


FIG. 2

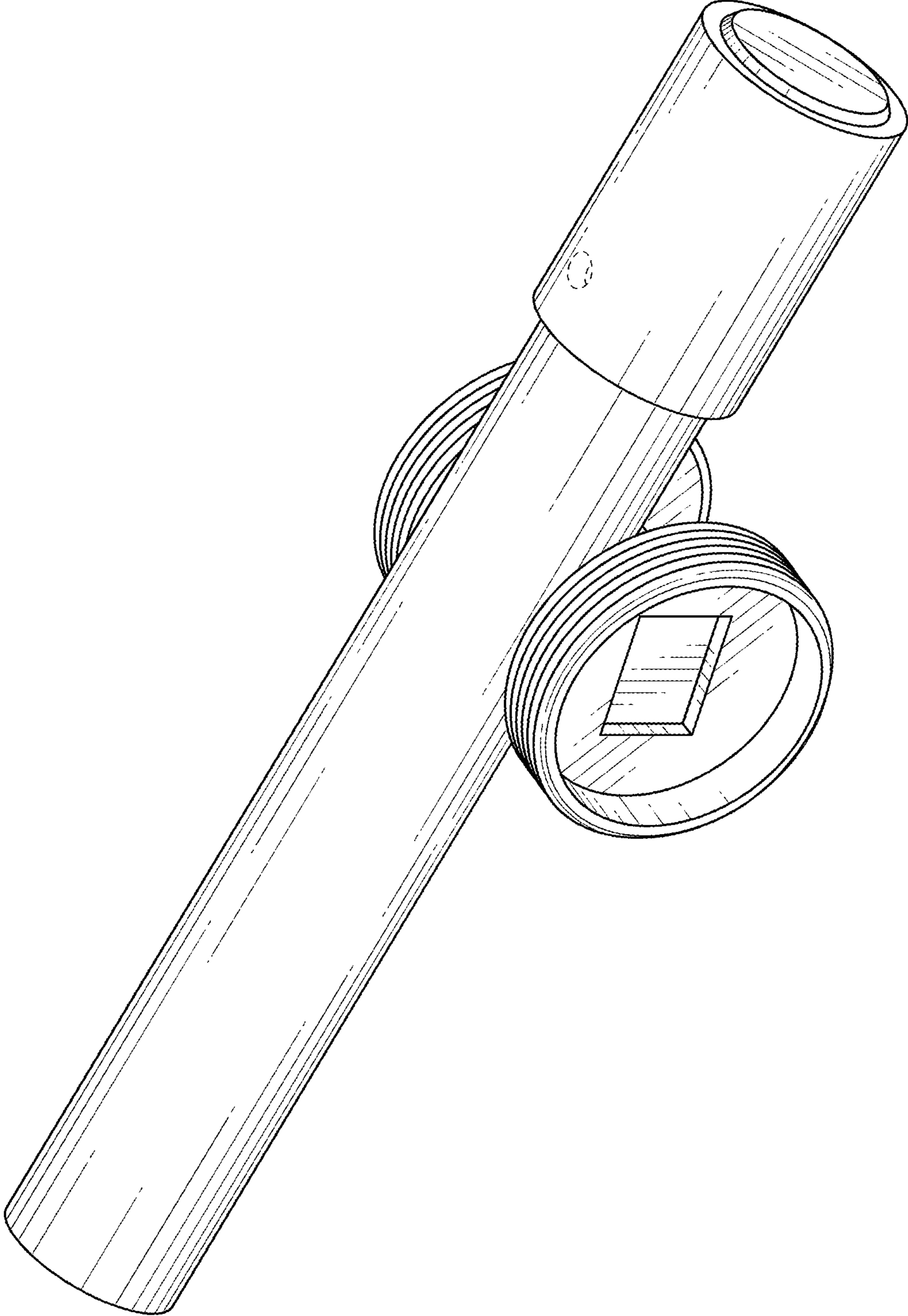


FIG. 3

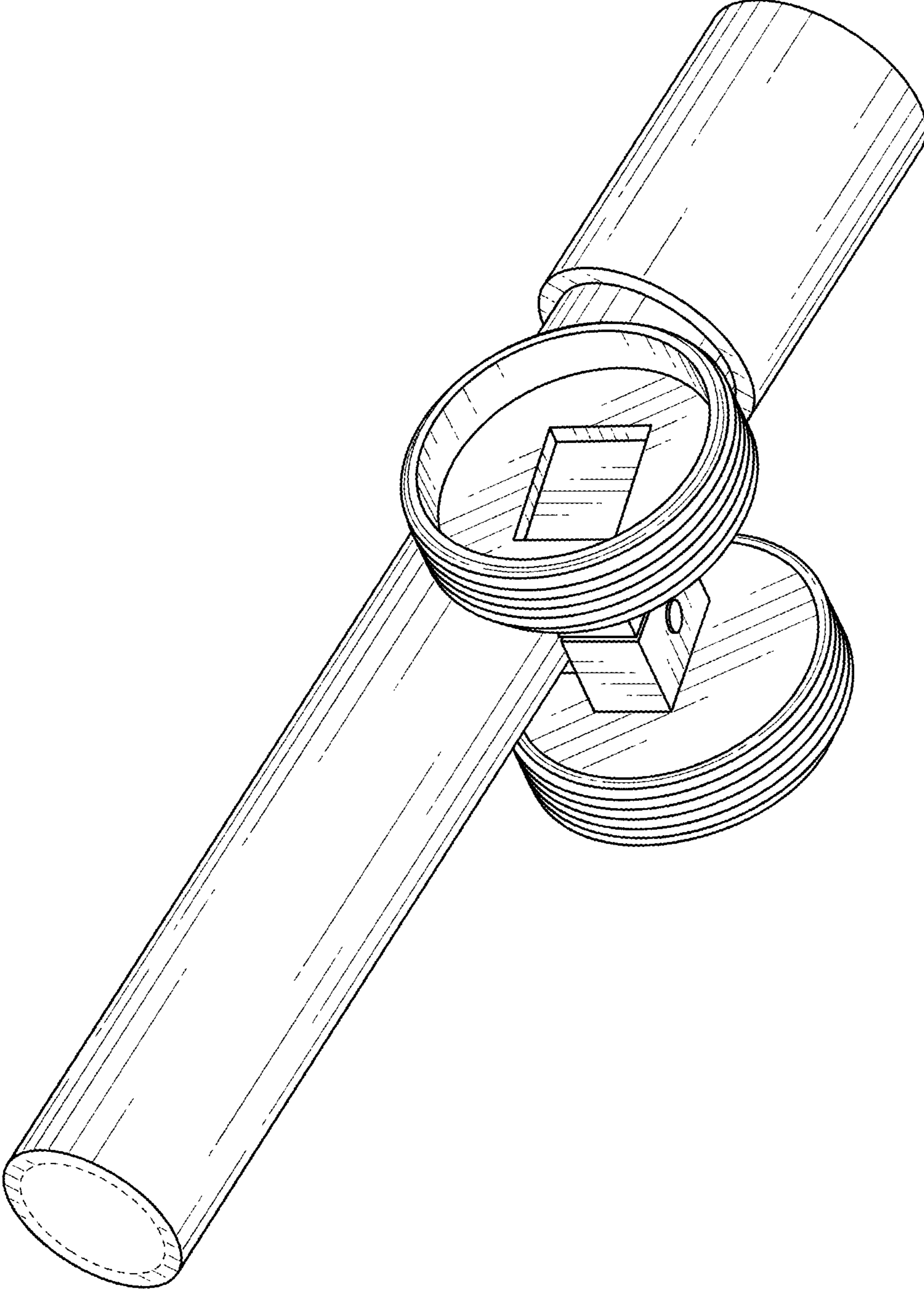


FIG. 4

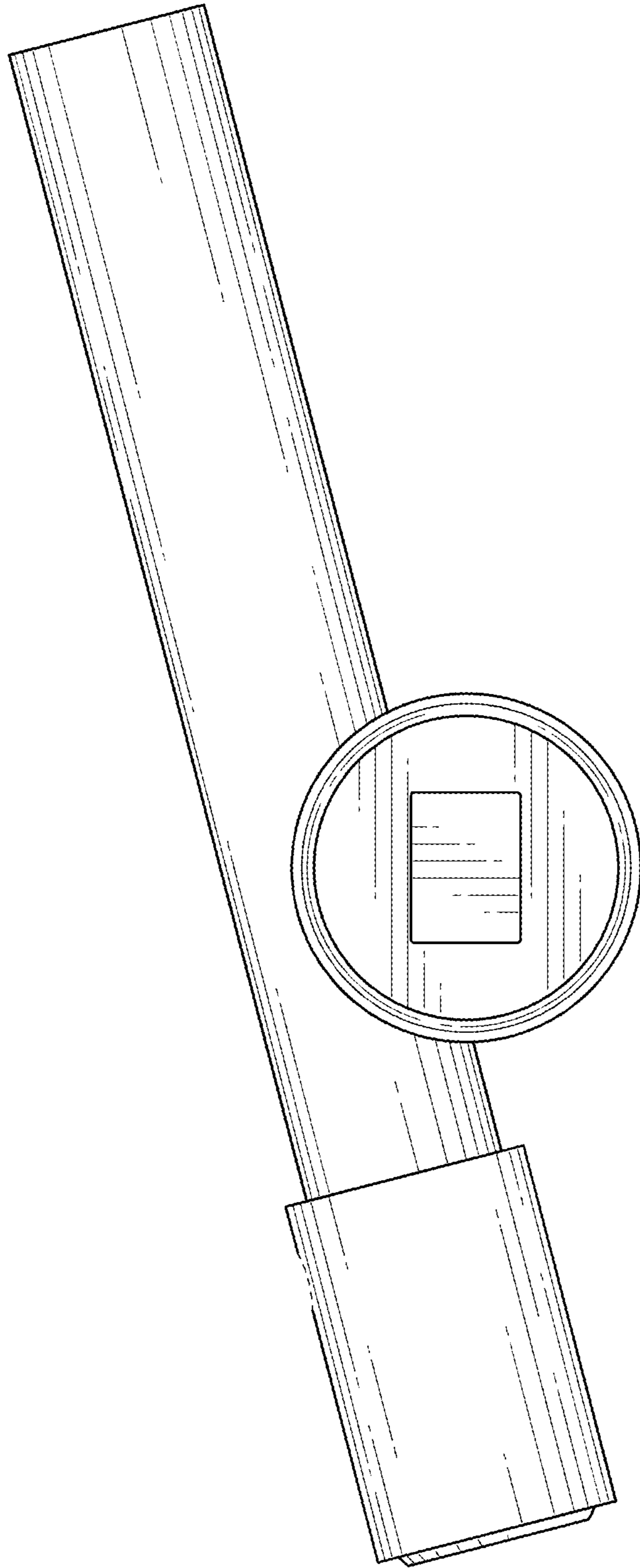


FIG. 5

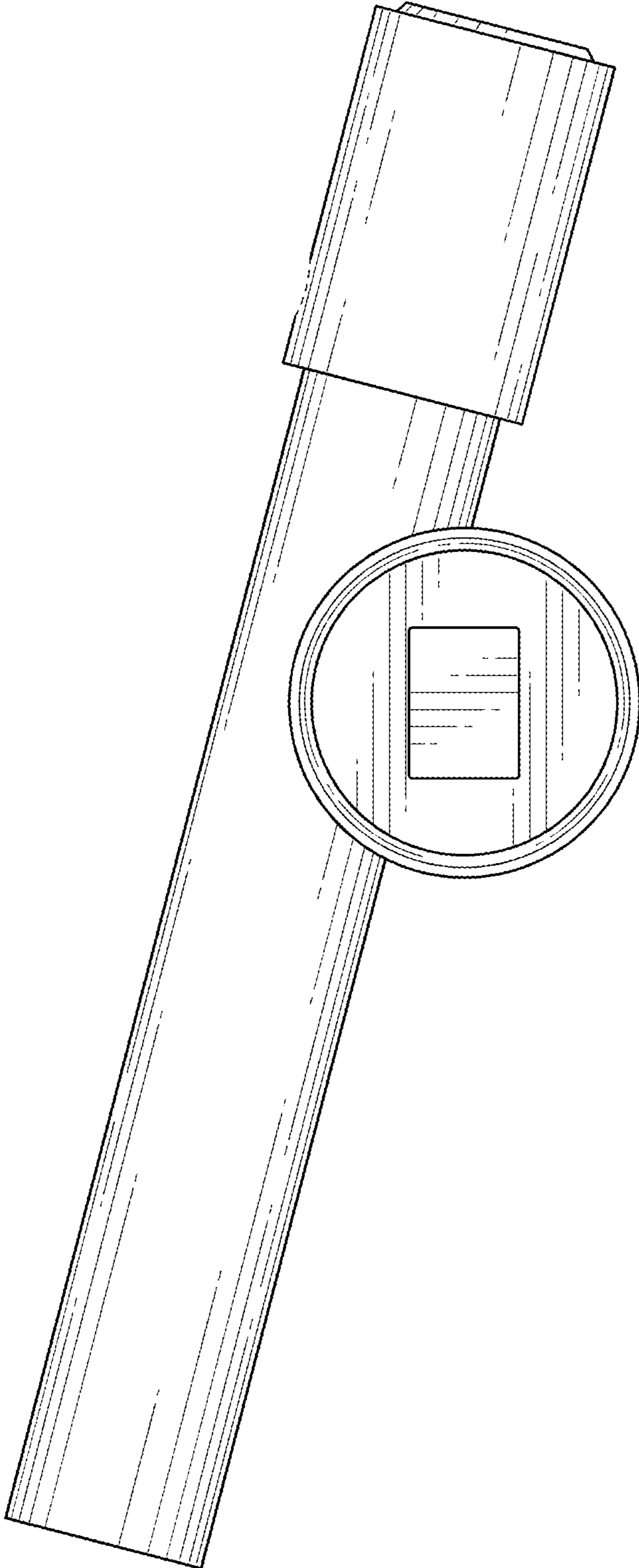


FIG. 6

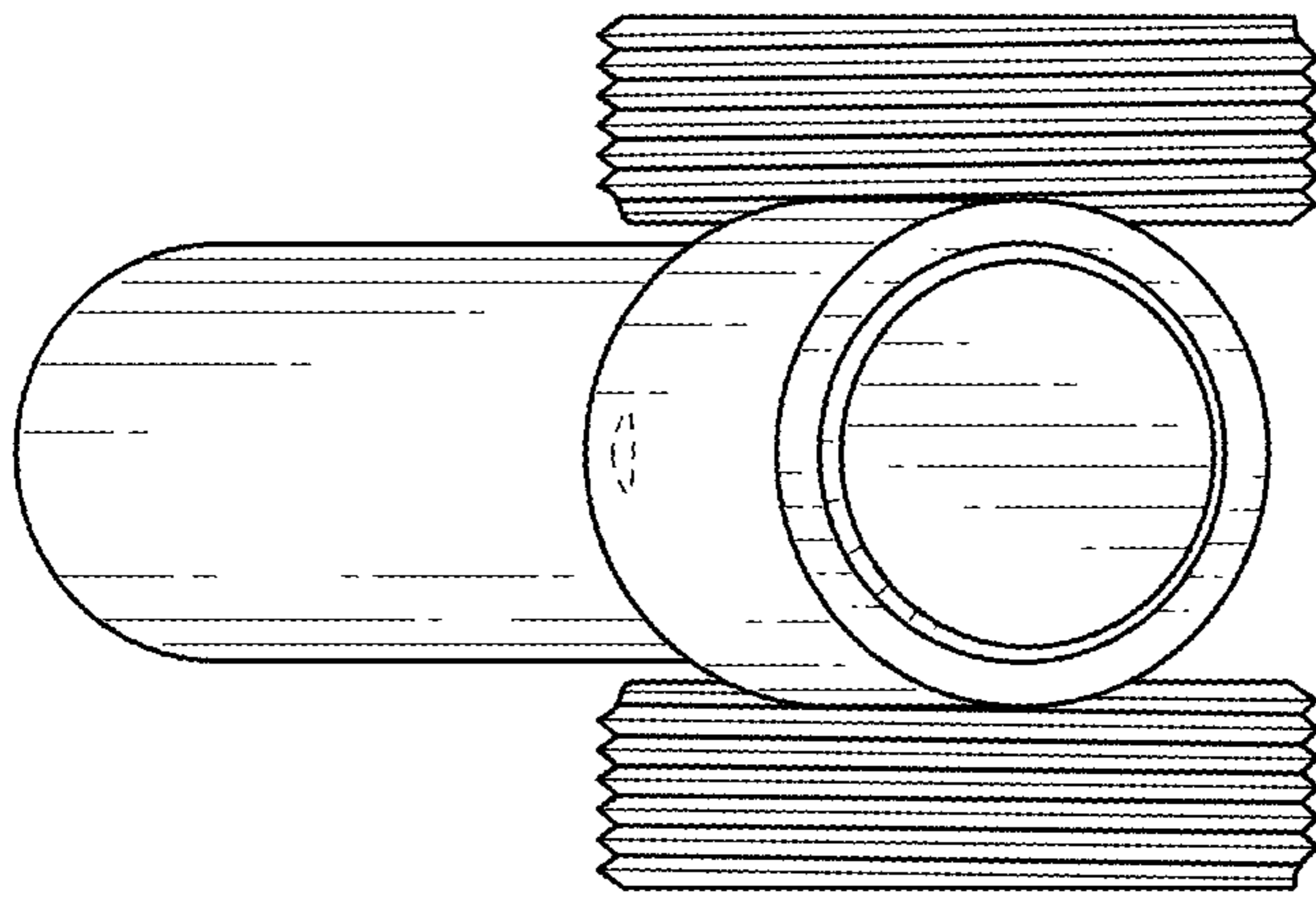


FIG. 7

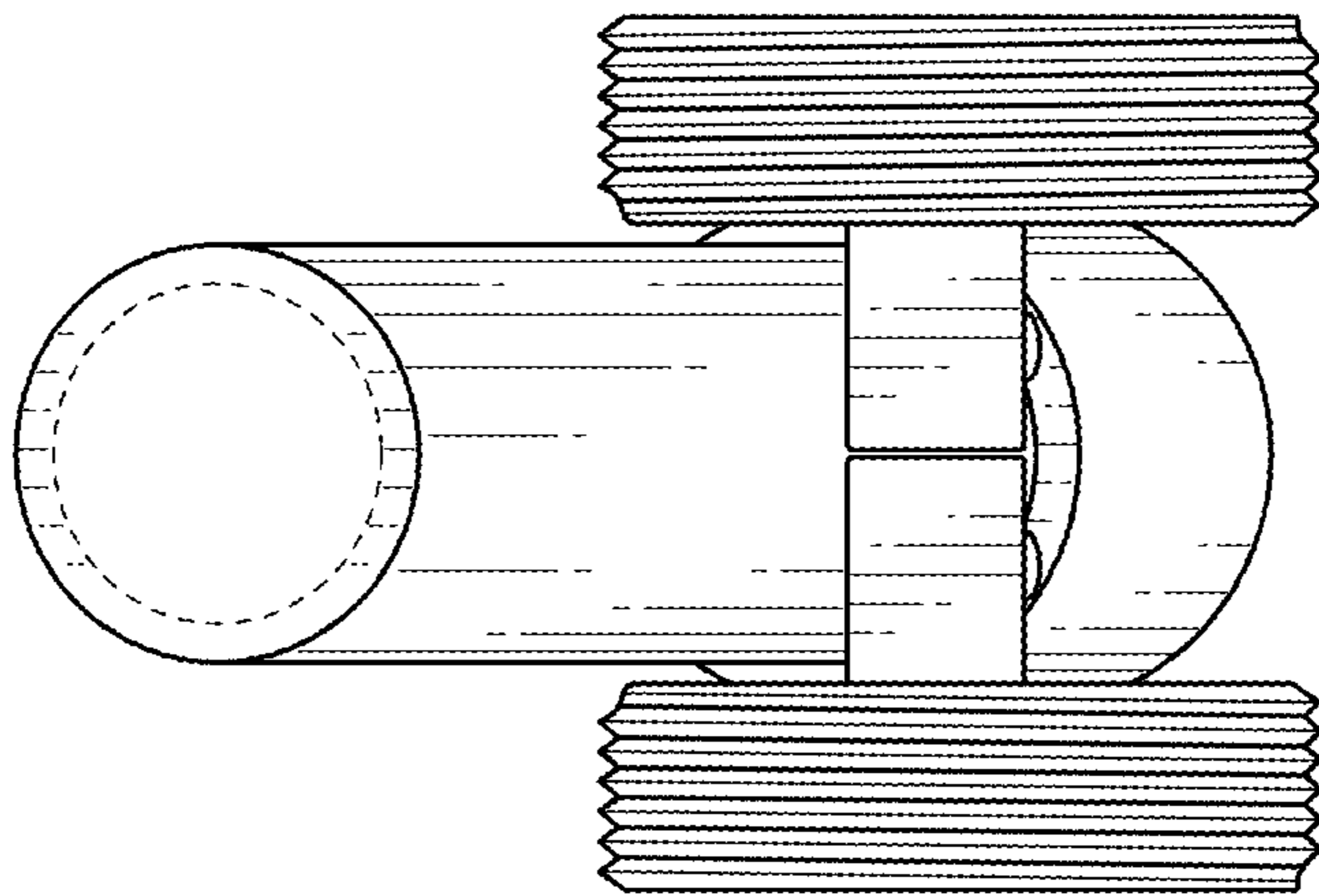


FIG. 8

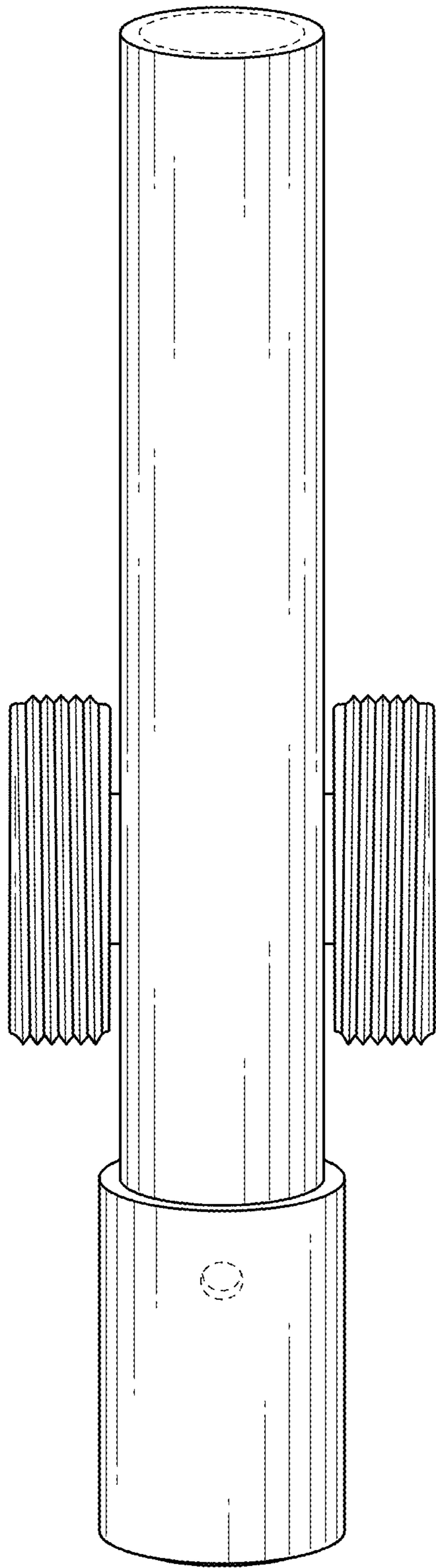


FIG. 9

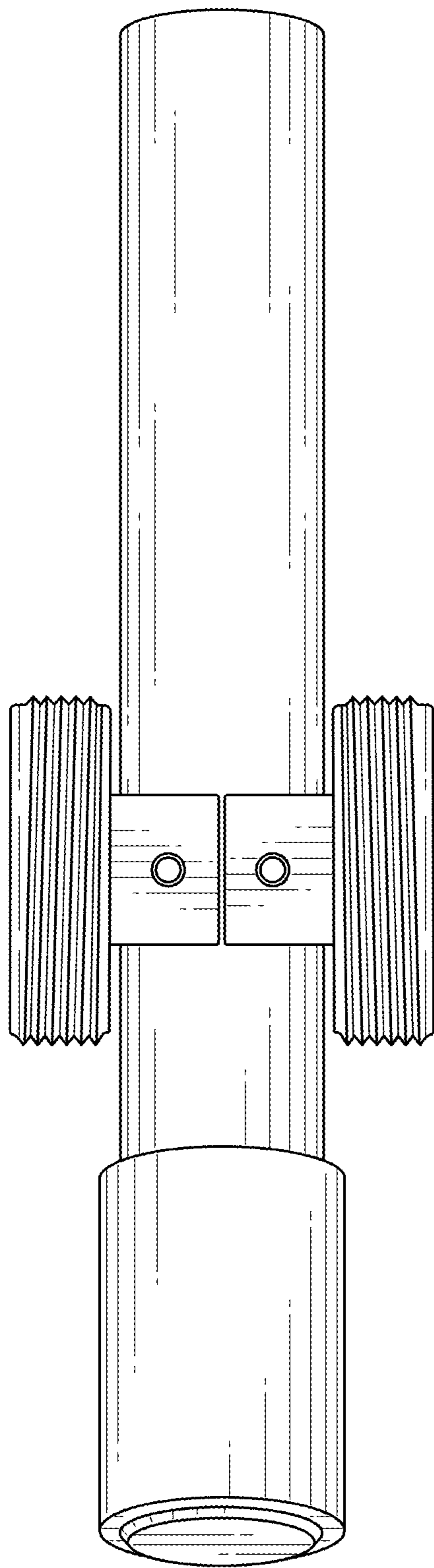


FIG. 10