



US00D942574S

(12) **United States Design Patent** (10) **Patent No.:** **US D942,574 S**
Rademacher et al. (45) **Date of Patent:** **** Feb. 1, 2022**

(54) **ELEMENT FOR A WATER AMUSEMENT PARK**

(71) Applicant: **Wibit Sports GmbH**, Bocholt (DE)
 (72) Inventors: **Romann Rademacher**, Bocholt (DE);
Robert Cirjak, Bocholt (DE)
 (**) Term: **15 Years**

(21) Appl. No.: **35/511,333**

(22) Filed: **Dec. 18, 2020**

(80) **Hague Agreement Data**

Int. Filing Date: **Dec. 18, 2020**
 Int. Reg. No.: **DM/212529**
 Int. Reg. Date: **Dec. 18, 2020**
 Int. Reg. Pub. Date: **Feb. 12, 2021**

(30) **Foreign Application Priority Data**

Jul. 3, 2020 (EM) 008030530-0018

(51) **LOC (13) Cl.** **21-03**

(52) **U.S. Cl.**
 USPC **D21/803**

(58) **Field of Classification Search**

USPC D21/801, 803, 804, 805, 808, 809, 811,
 D21/814, 815, 818, 819, 835
 CPC B63B 35/58; B63B 35/607; B63B 35/613;
 B63B 34/00; B63B 34/10; B63B 34/15;
 B63C 9/30

See application file for complete search history.

(56) **References Cited**

U.S. PATENT DOCUMENTS

D574,917 S *	8/2008	Parham	D21/803
D722,354 S *	2/2015	Rademacher	D21/803
D818,072 S *	5/2018	Rademacher	D21/803
D819,763 S *	6/2018	Rademacher	D21/803
D825,015 S *	8/2018	Rademacher	D21/803
D896,334 S *	9/2020	Huang	D21/802
D903,802 S *	12/2020	Gardner	D21/803

* cited by examiner

Primary Examiner — George D. Kirschbaum

Assistant Examiner — Joseph J. Kukella

(57) **CLAIM**

The ornamental design for an element for a water amusement park, as shown and described.

DESCRIPTION

1. Element for a water amusement park

1.1 : Perspective

1.2 : Left

1.3 : Right

1.4 : Back

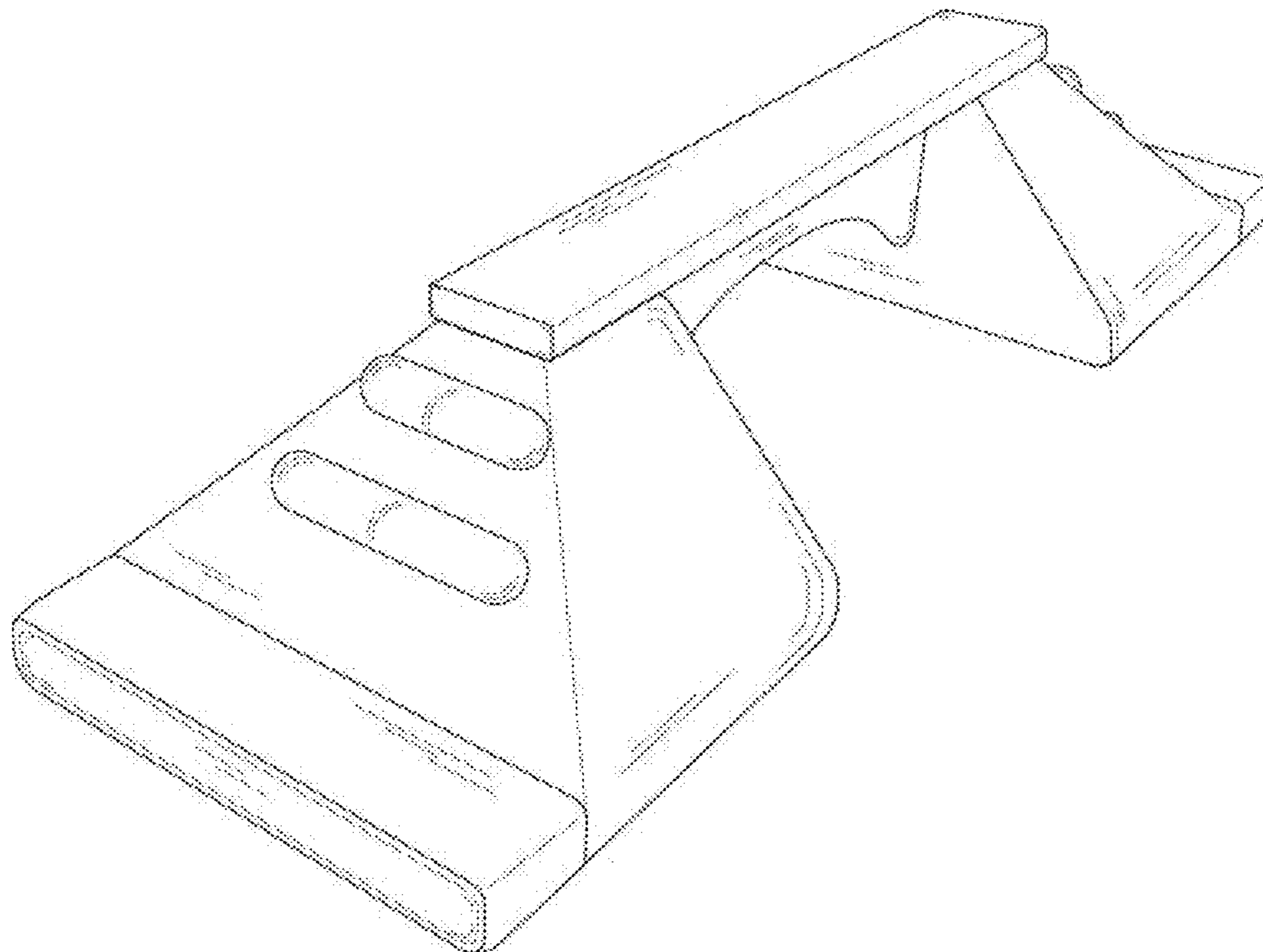
1.5 : Front

1.6 : Top

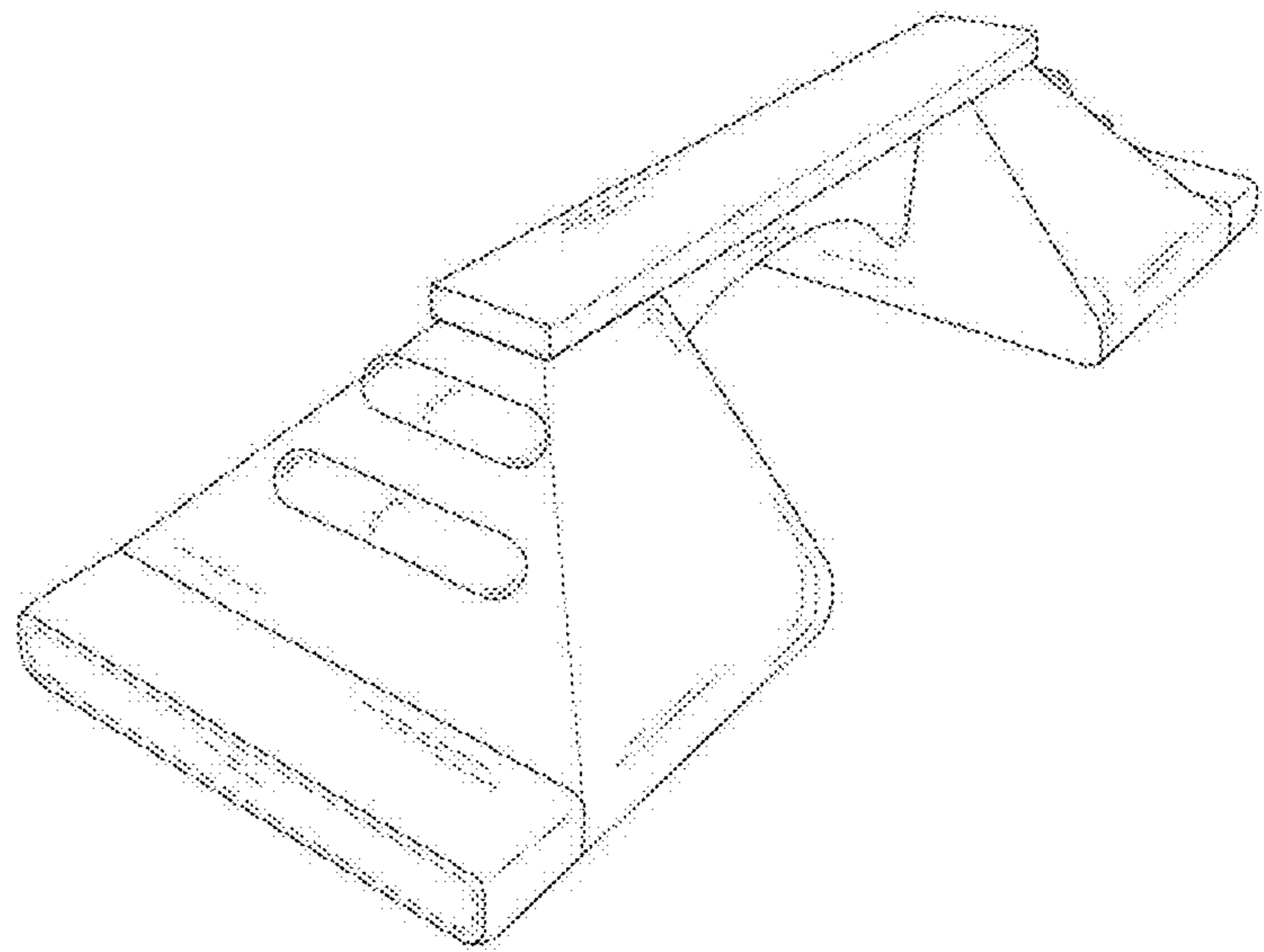
1.7 : Bottom

The design shows a new, original and ornamental design for an element for a water amusement park as shown in the drawings.

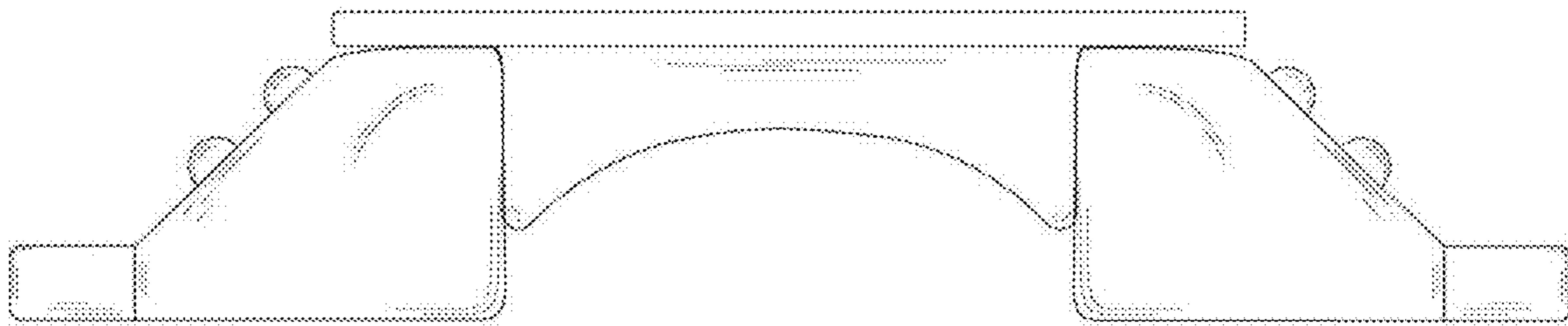
1 Claim, 7 Drawing Sheets



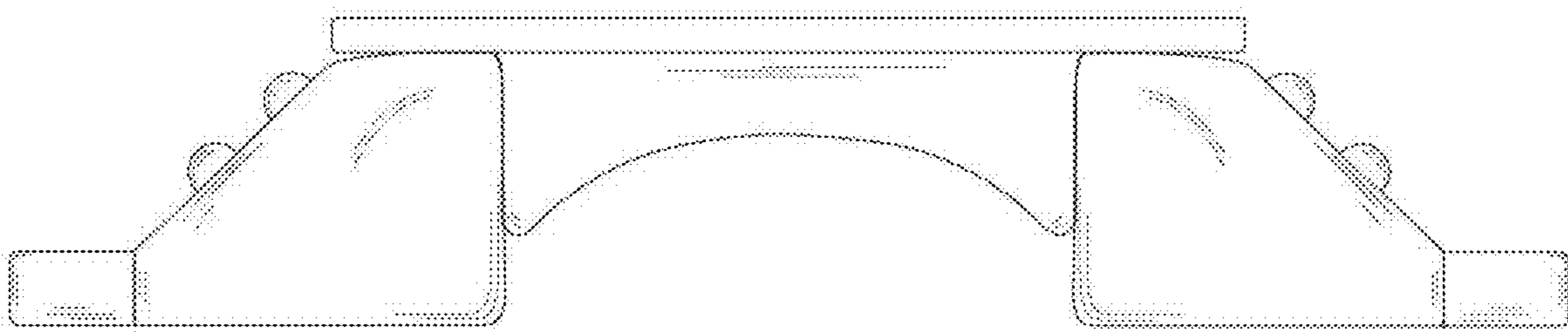
1.1



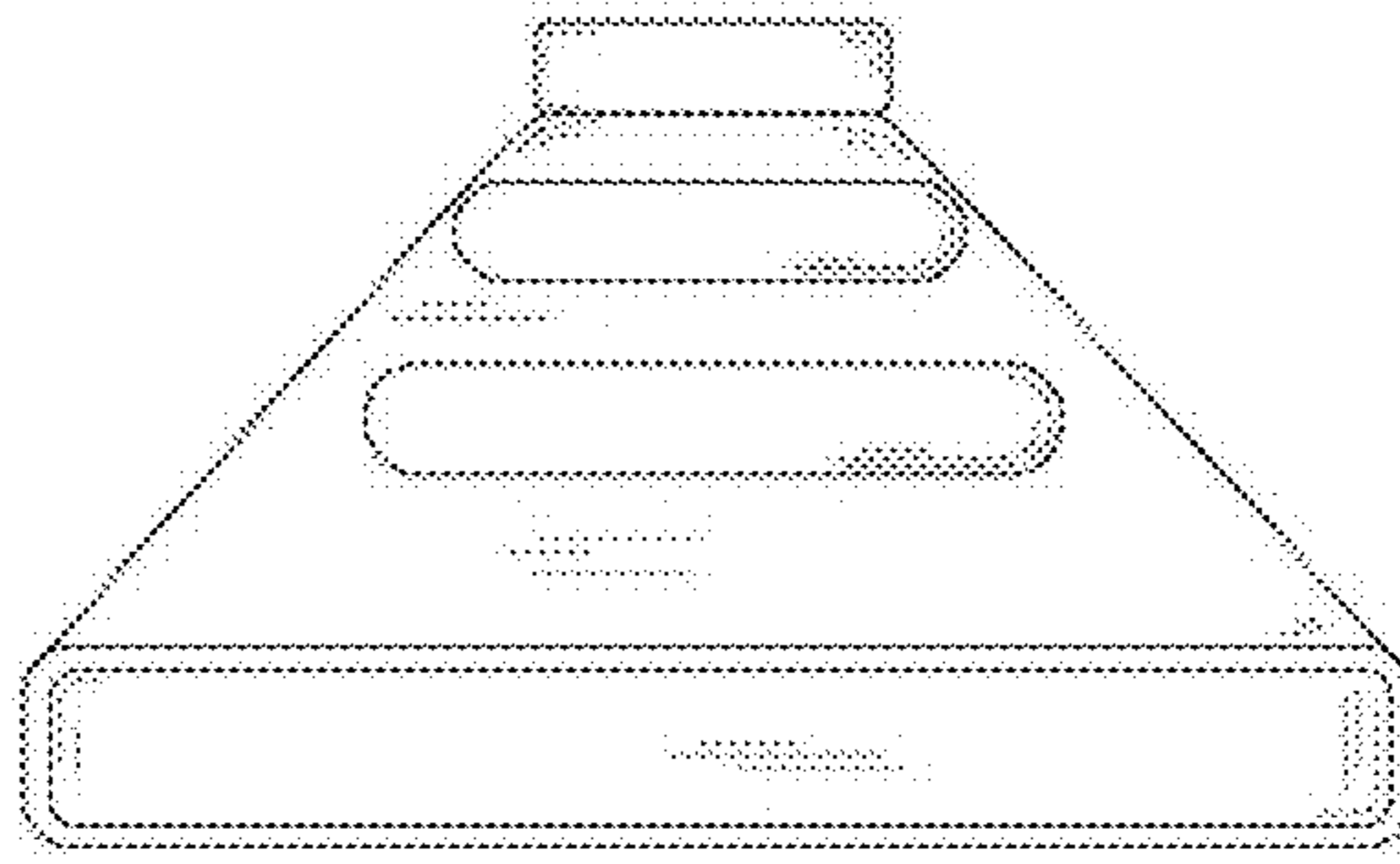
1.2



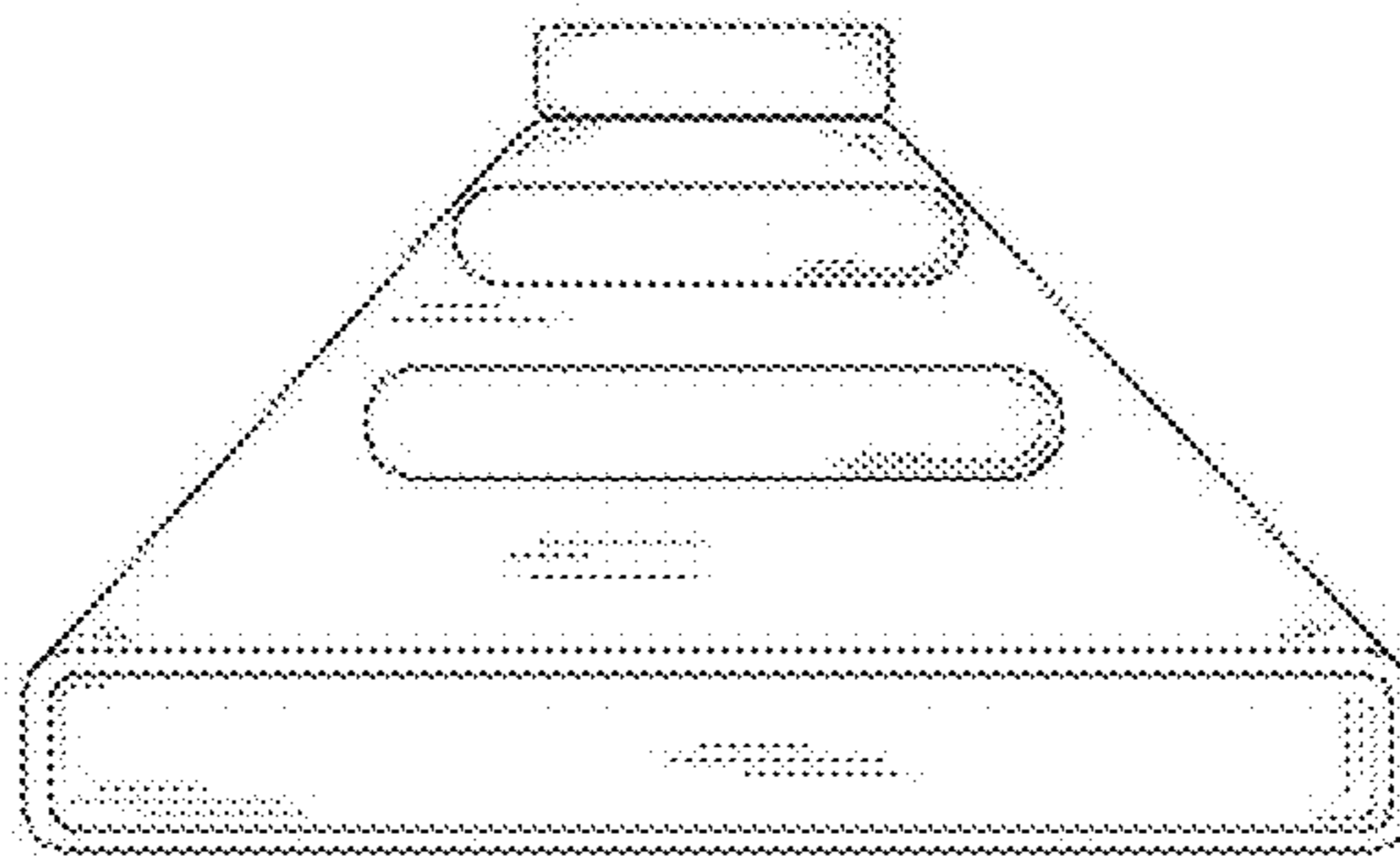
1.3



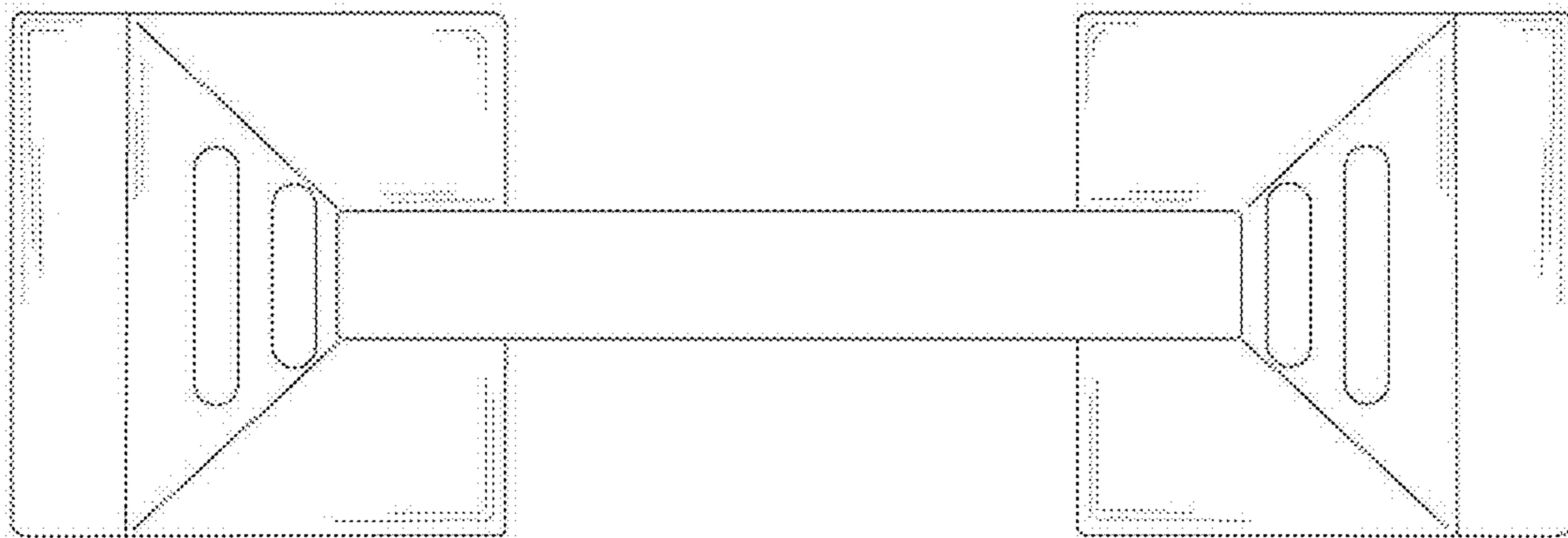
1.4



1.5



1.6



1.7

