



US00D942573S

(12) **United States Design Patent** (10) **Patent No.:** **US D942,573 S**
Page (45) **Date of Patent:** **** Feb. 1, 2022**

(54) **GOLF CLUB CLEANER**
(71) Applicant: **George Page**, Buffalo, NY (US)
(72) Inventor: **George Page**, Buffalo, NY (US)
(**) Term: **15 Years**
(21) Appl. No.: **29/722,256**
(22) Filed: **Jan. 28, 2020**
(51) **LOC (13) Cl.** **21-02**
(52) **U.S. Cl.**
USPC **D21/796**
(58) **Field of Classification Search**
USPC D21/789, 795
CPC A63B 60/36; A63B 57/60; A63B 47/04;
A46B 15/00
See application file for complete search history.

D360,109 S * 7/1995 Blankenburg D7/514
D378,223 S * 2/1997 Goodwin D20/41
5,666,684 A * 9/1997 Cussen A63B 57/60
15/104.92
D386,847 S * 11/1997 Petrie D32/35
D398,156 S * 9/1998 Jovaag D4/124
6,021,537 A * 2/2000 Smith A46B 13/04
15/21.1
D425,706 S * 5/2000 Calderone D3/200
6,430,770 B1 * 8/2002 Glass A63B 57/60
15/104.92
7,162,766 B1 * 1/2007 Yakopcic A46B 11/001
15/104.92
D609,708 S * 2/2010 Allo Allo D14/440
D654,539 S * 2/2012 Hobbs D19/95
D665,125 S * 8/2012 Cowzer D27/120
D703,284 S * 4/2014 Whitfield D21/795

(Continued)

Primary Examiner — Mitchell I. Siegel
(74) *Attorney, Agent, or Firm* — Vincent G. LoTempio,
Esq.

(56) **References Cited**

U.S. PATENT DOCUMENTS

2,840,842 A * 7/1958 Kaheny G09F 23/00
15/104.94
3,704,475 A * 12/1972 Brooks A63B 57/60
15/88.4
D267,751 S * 1/1983 Dobyms D32/1
D275,780 S * 10/1984 Pearson D21/795
4,944,063 A * 7/1990 Jordan A63B 57/60
15/104.92
5,054,153 A * 10/1991 Silliman A63B 57/60
15/160
D327,376 S * 6/1992 Piccamiglio D21/709
D329,485 S * 9/1992 Hollinger D21/795
5,155,883 A * 10/1992 Legault A63B 57/60
15/21.2
D350,630 S * 9/1994 Smith D32/1
5,385,160 A * 1/1995 Brinkman A63B 57/60
134/1
5,404,610 A * 4/1995 Coyer, Sr. A63B 57/60
15/104.92

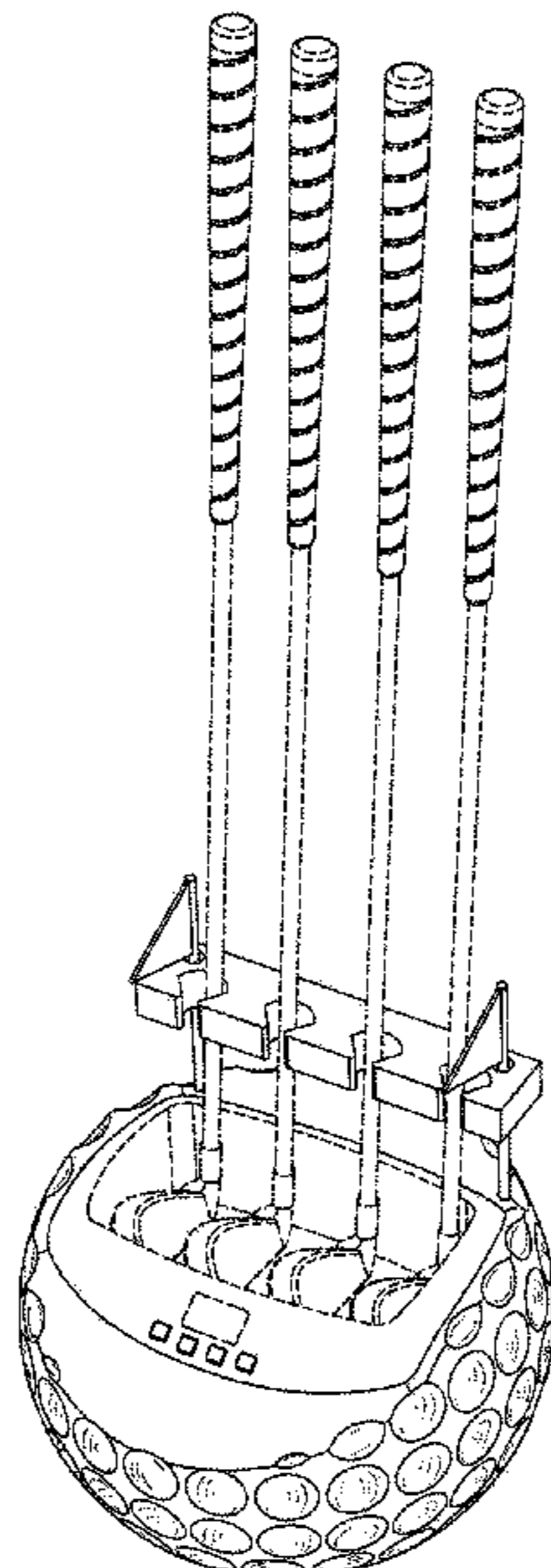
(57) **CLAIM**

The ornamental design for a golf club cleaner, as shown and described.

DESCRIPTION

FIG. 1 is a front perspective view showing my new design; FIG. 2 is a front view thereof; FIG. 3 is a back view thereof; FIG. 4 is a left side view thereof; FIG. 5 is a right side view thereof; FIG. 6 is a top view thereof; FIG. 7 is a bottom view thereof; FIG. 8 is a left side perspective view thereof; and, FIG. 9 is a front perspective view thereof, the golf clubs shown in broken lines for use. The broken lines depict environmental structures and form no part of the claimed invention.

1 Claim, 4 Drawing Sheets



(56)

References Cited

U.S. PATENT DOCUMENTS

9,566,488 B1 * 2/2017 Welch A63B 57/60
2018/0117430 A1 * 5/2018 Pedersen A63B 57/60

* cited by examiner

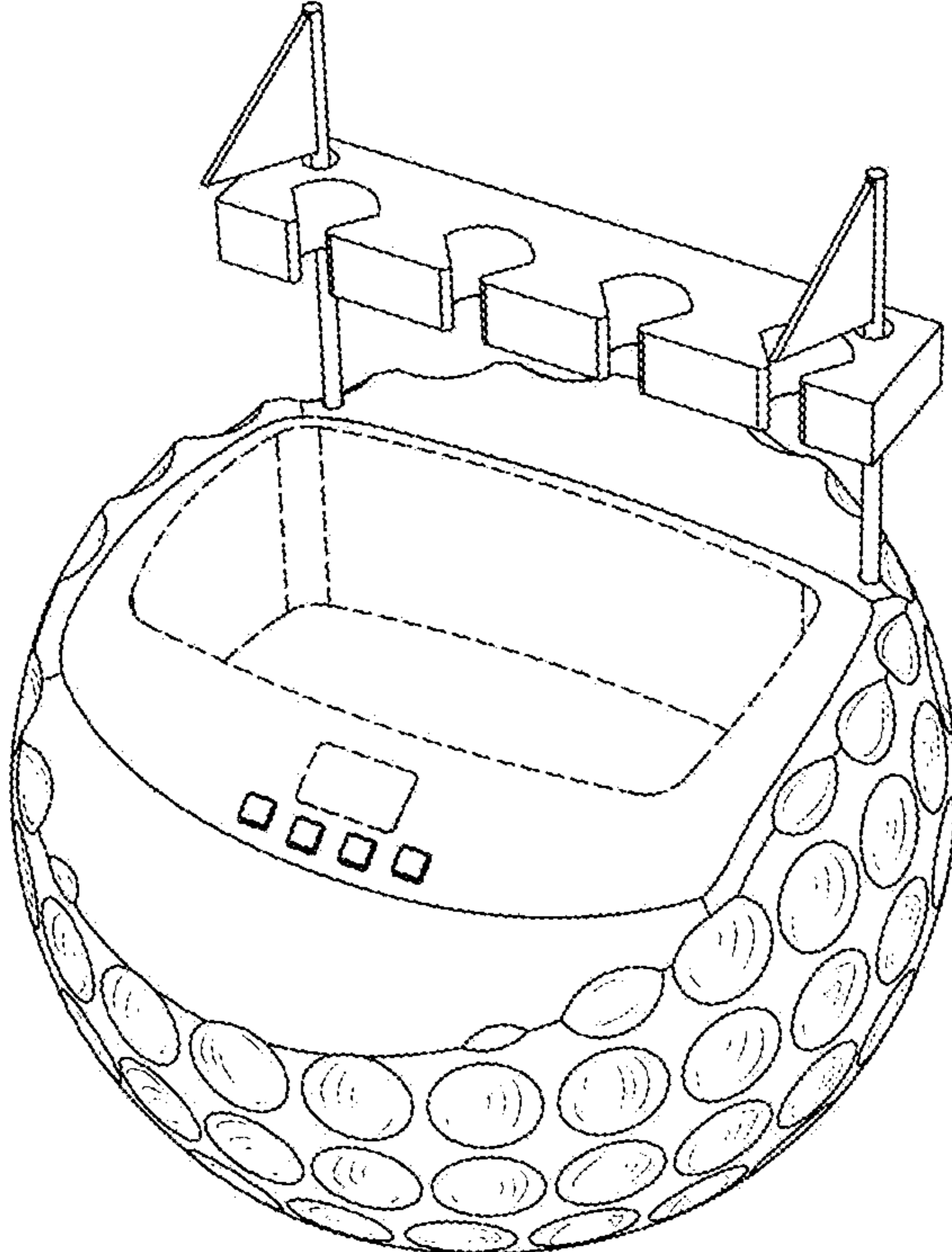


FIG. 1

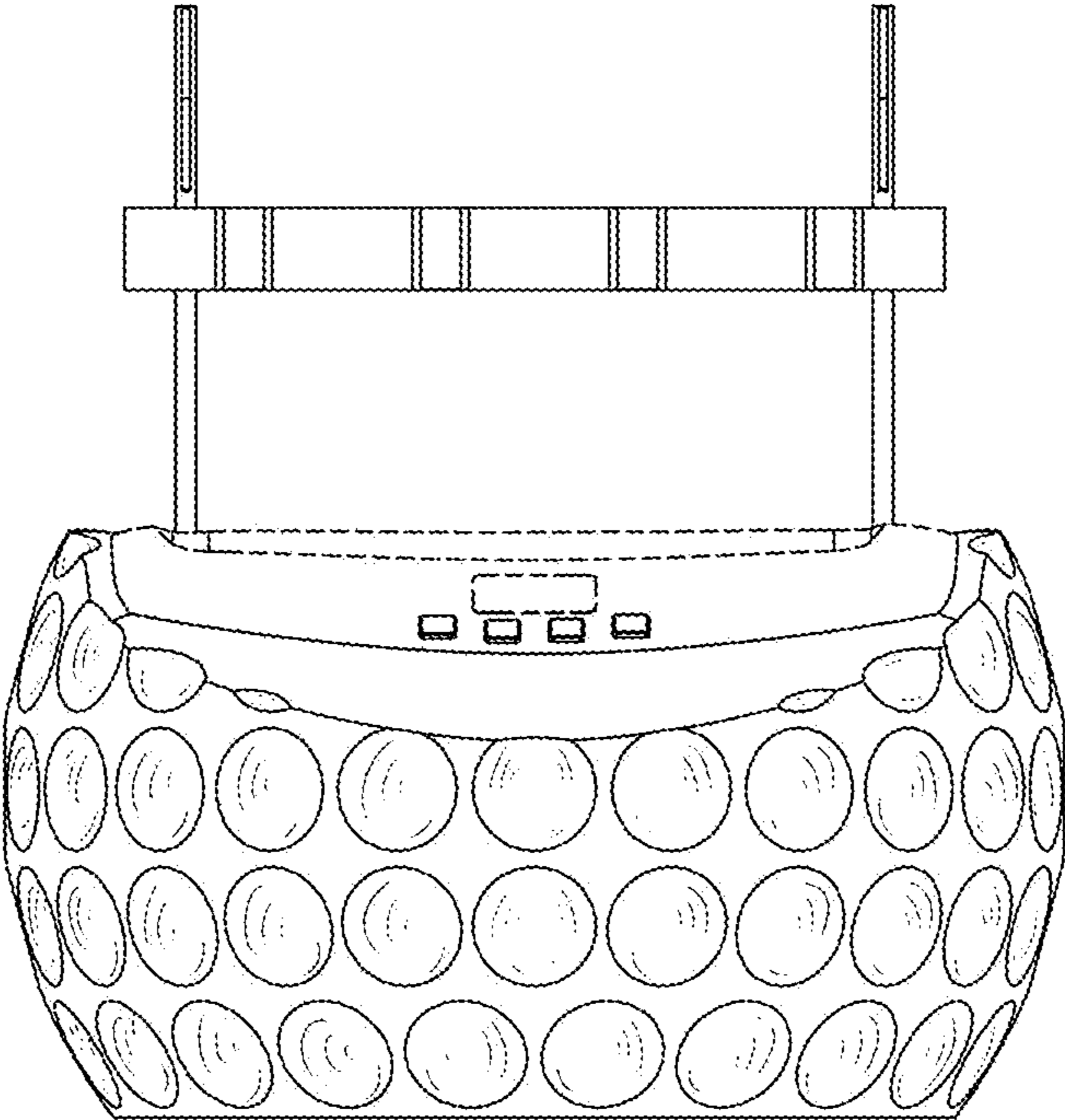


FIG. 2

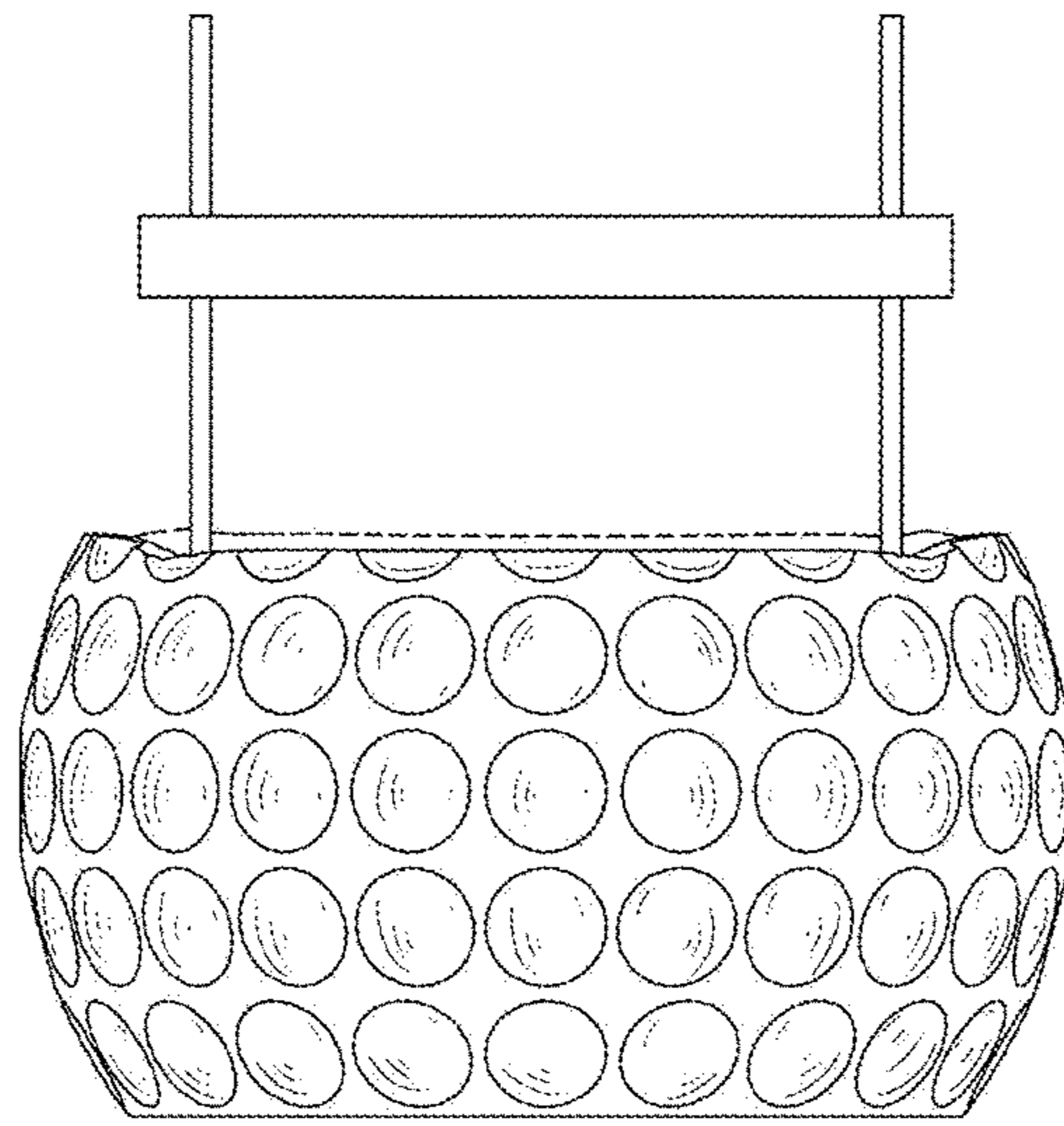


FIG. 3

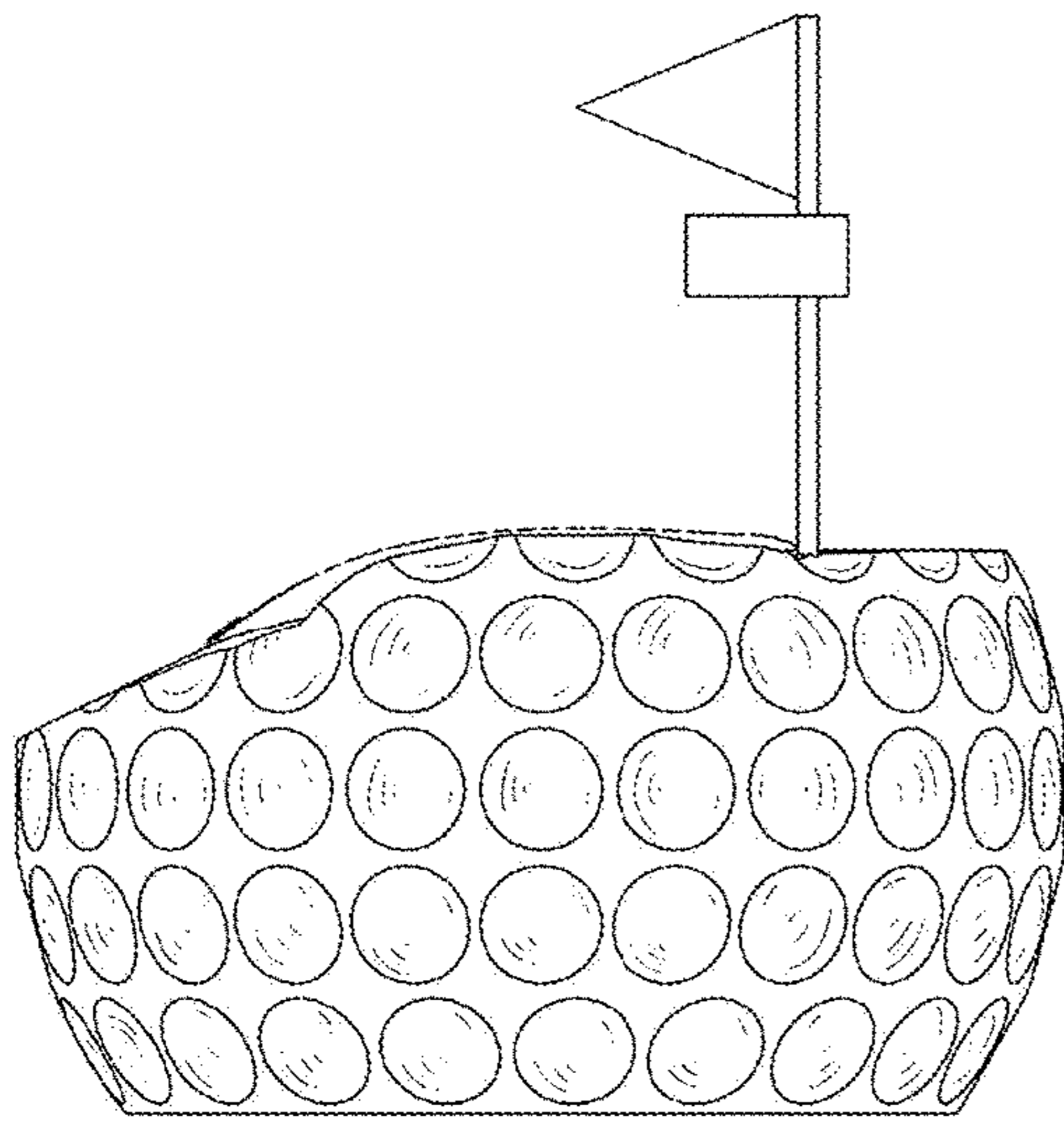


FIG. 4

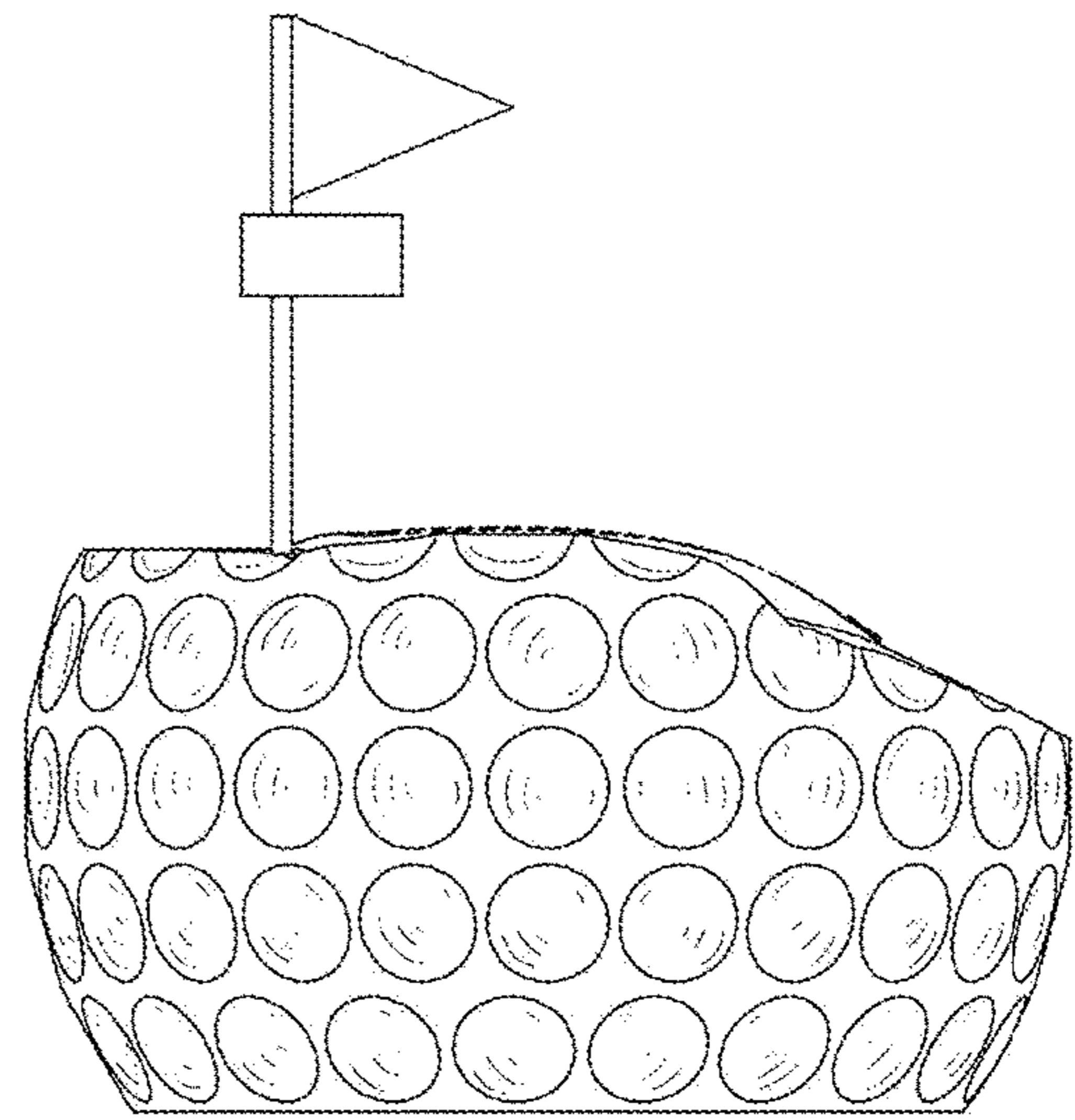


FIG. 5

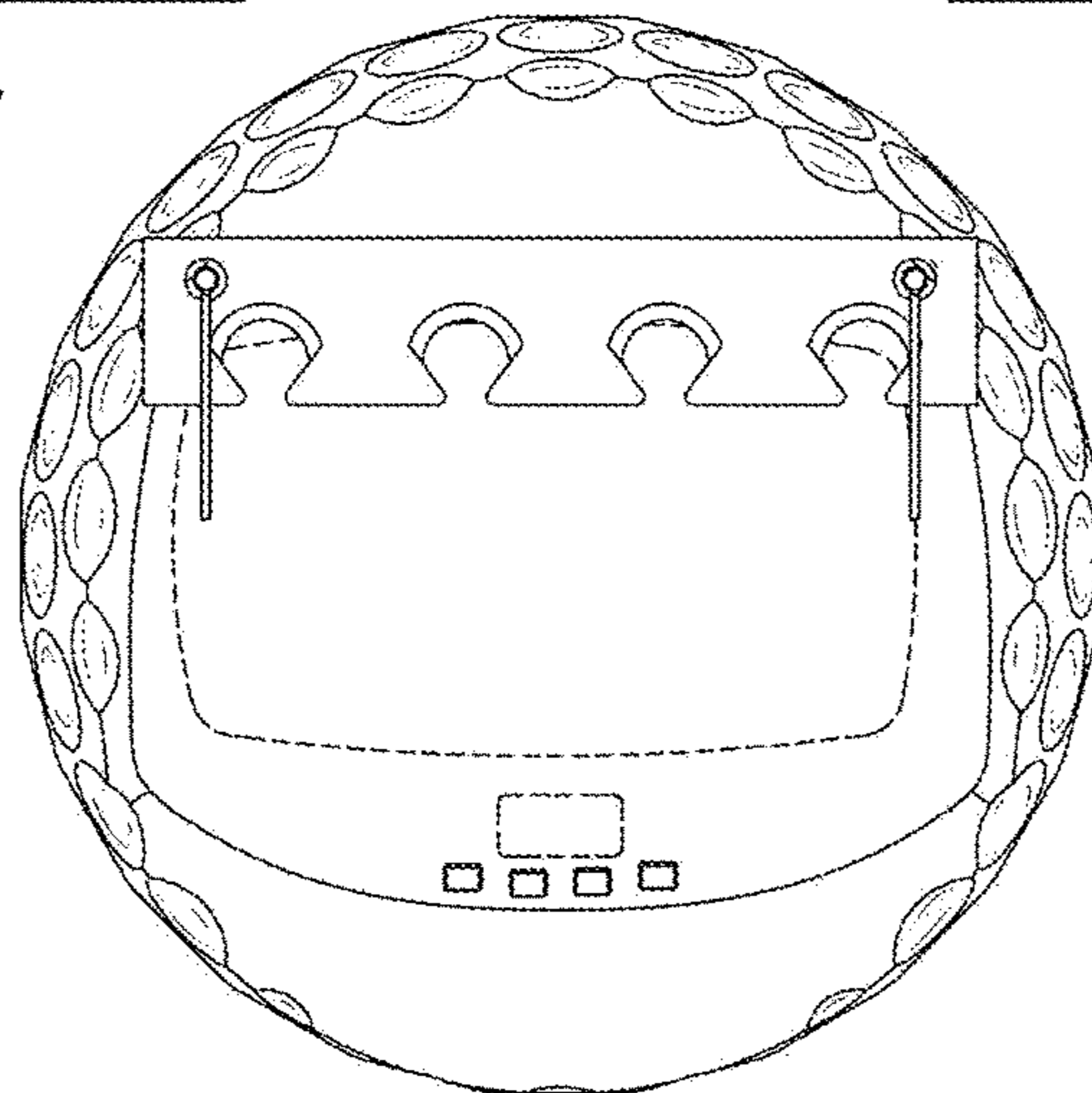


FIG. 6

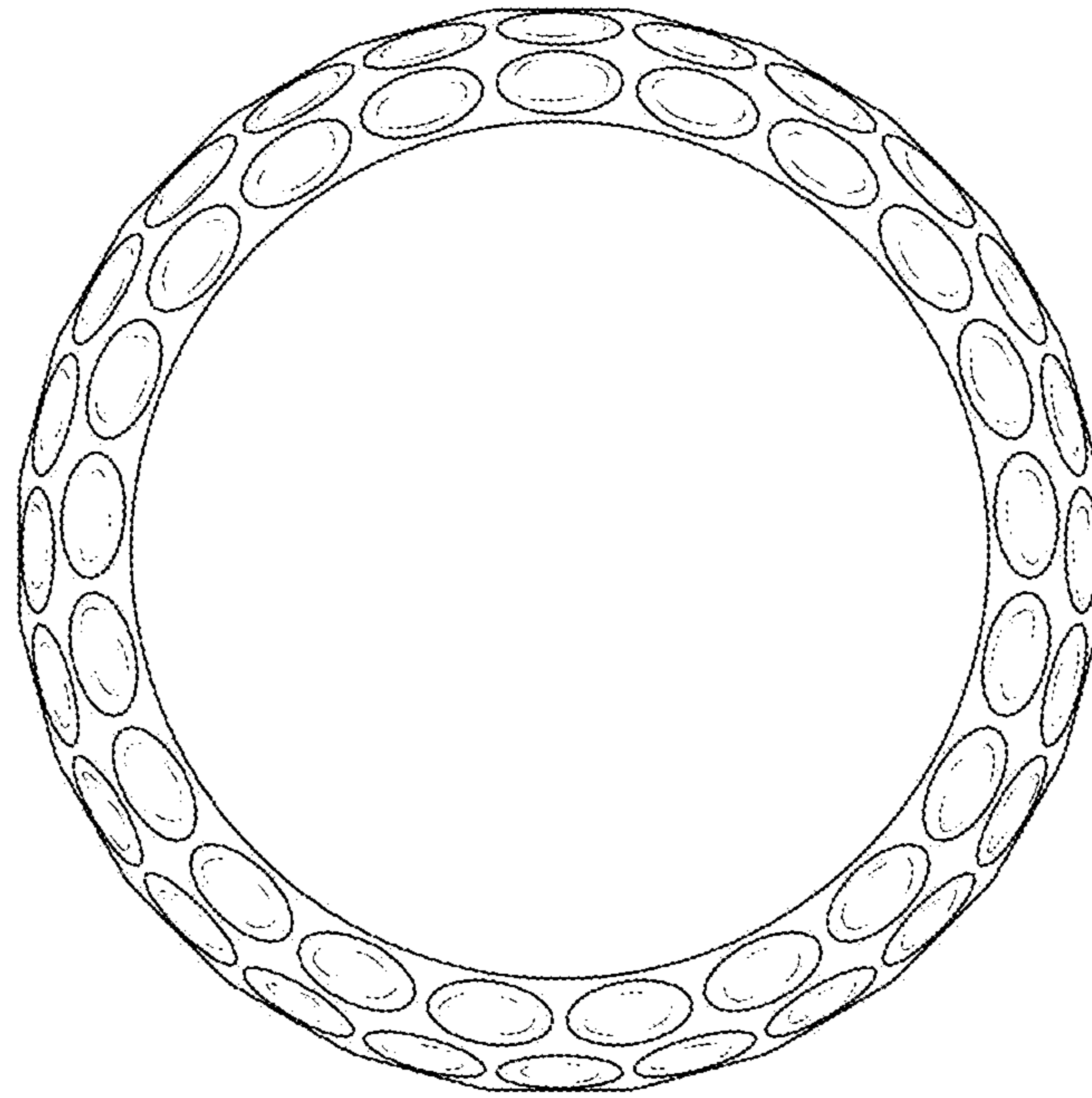


FIG. 7

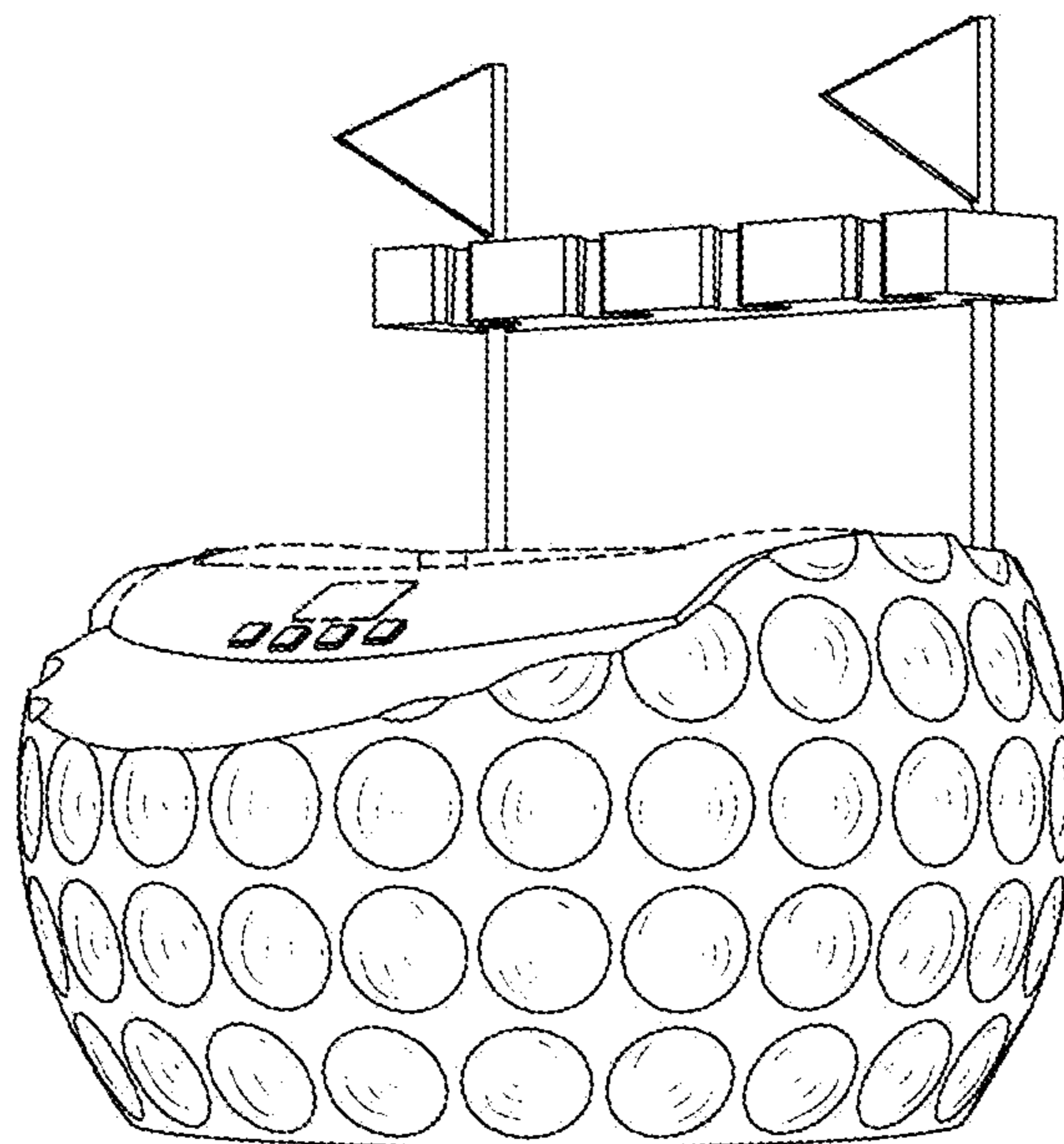


FIG. 8

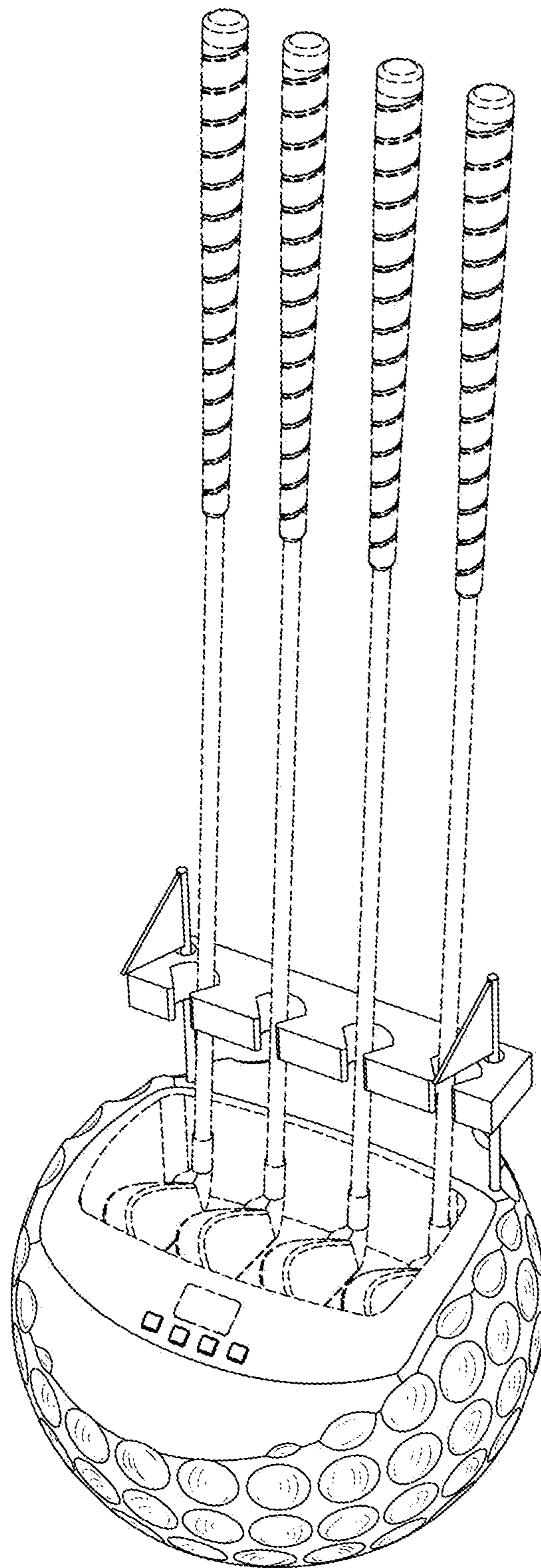


FIG. 9