



US00D942572S

(12) **United States Design Patent** (10) **Patent No.:** **US D942,572 S**
Huang (45) **Date of Patent:** **** Feb. 1, 2022**

- (54) **POWERED WHEELED BOARD**
- (71) Applicant: **RAZOR USA LLC**, Cerritos, CA (US)
- (72) Inventor: **Joey Chih-Wei Huang**, Temple City, CA (US)
- (73) Assignee: **Razor USA LLC**, Cerritos, CA (US)
- (**) Term: **15 Years**
- (21) Appl. No.: **29/770,817**
- (22) Filed: **Feb. 17, 2021**

3,399,906 A 9/1968 Portnoff
 3,771,811 A 11/1973 Bueno
 3,982,766 A 9/1976 Budge
 D243,206 S 1/1977 Sherwood
 4,037,852 A 7/1977 Bayer et al.
 (Continued)

FOREIGN PATENT DOCUMENTS

AU 2007214338 3/2007
 CA 2596570 10/2007
 (Continued)

OTHER PUBLICATIONS

“About: Skateboarding; Other Boardsports”, <http://skateboard.about.com/cs/fringeboarding/gr/7once-true&>; Mar. 2007, in 2 pages.
 (Continued)

Primary Examiner — Cynthia M. Chin
 (74) *Attorney, Agent, or Firm* — Knobbe, Martens, Olson & Bear, LLP

Related U.S. Application Data

- (63) Continuation of application No. 29/717,684, filed on Dec. 18, 2019, now Pat. No. Des. 911,476, which is a continuation of application No. 29/664,559, filed on Sep. 26, 2018, now Pat. No. Des. 871,532, which is a continuation of application No. 29/633,000, filed on Jan. 11, 2018, now Pat. No. Des. 829,838, which is a continuation of application No. 29/576,467, filed on Sep. 2, 2016, now abandoned.
- (51) **LOC (13) Cl.** **21-02**
- (52) **U.S. Cl.**
USPC **D21/771**; D21/566
- (58) **Field of Classification Search**
USPC D21/133, 419, 423, 566, 760, 763, 765, D21/771; D14/218, 408; D13/168
CPC . A63C 2203/12; A63C 2203/22; A63C 17/01; A63C 17/12; A63C 17/0013; B60L 15/20; B62K 11/00
See application file for complete search history.

(57) **CLAIM**

The ornamental design for a powered wheeled board, as shown and described.

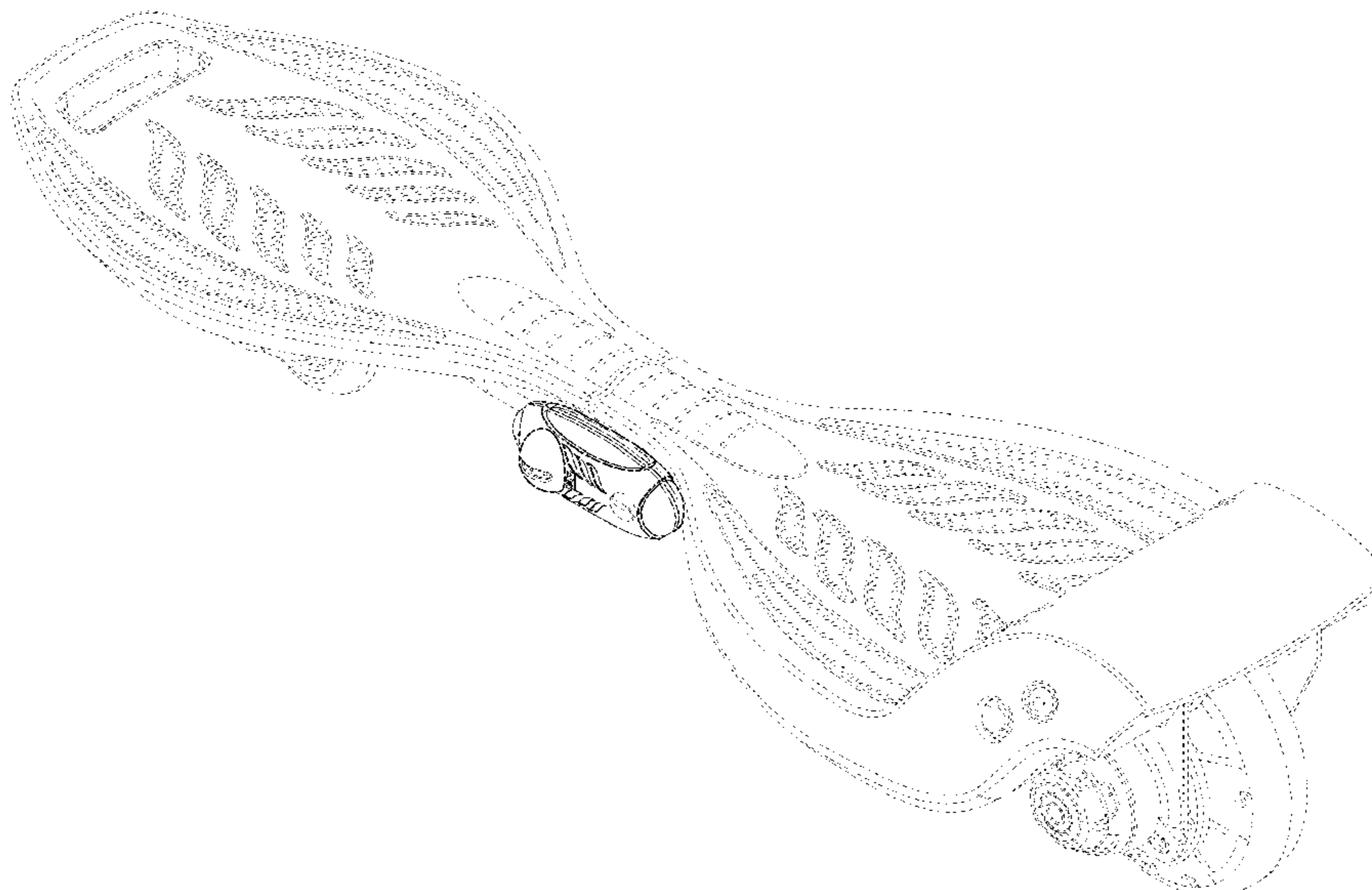
DESCRIPTION

FIG. 1 is a top, rear, left-side perspective view showing a powered wheeled board of my design;
 FIG. 2 is a bottom, rear, left-side perspective view thereof;
 FIG. 3 is a top view thereof;
 FIG. 4 is a bottom view thereof;
 FIG. 5 is a left-side view thereof;
 FIG. 6 is a right-side view thereof;
 FIG. 7 is a front view thereof; and,
 FIG. 8 is a rear view thereof.
 The broken lines illustrate portions of the powered wheeled board that form no part of the claimed design.

1 Claim, 6 Drawing Sheets

(56) **References Cited**
 U.S. PATENT DOCUMENTS

2,051,762 A 8/1936 Vincent
 3,288,251 A 11/1966 Paul
 3,399,904 A 9/1968 Schinke



(56)

References Cited

U.S. PATENT DOCUMENTS

D246,065 S	10/1977	Saul	6,502,850 B1	1/2003	Schaller et al.	
4,060,253 A	11/1977	Oldendorf	6,572,130 B2	6/2003	Greene et al.	
4,076,267 A	2/1978	Lipscomb	6,669,215 B2	12/2003	Laporte	
4,082,306 A	4/1978	Sheldon	6,808,196 B2	10/2004	Des Ouches	
4,092,033 A	5/1978	Swain	6,863,292 B1	3/2005	Paasch et al.	
4,093,252 A	6/1978	Rue	D503,763 S	4/2005	Morgan	
D250,492 S	12/1978	Kish	D506,427 S	6/2005	Weber	
4,140,326 A	2/1979	Huber	6,910,698 B2	6/2005	Turner et al.	
4,245,848 A	1/1981	Dudouyt	D510,046 S *	9/2005	Li	D10/106.1
4,295,656 A	10/1981	Moore	6,976,687 B2	12/2005	Beleki, Jr.	
4,359,231 A	11/1982	Mulcahy	6,979,006 B2	12/2005	Pierron	
4,411,442 A	10/1983	Rills	7,044,486 B2	5/2006	Wright	
4,451,055 A	5/1984	Lee	7,053,289 B2	5/2006	Iwai et al.	
4,458,907 A	7/1984	Meredith	7,083,178 B2	8/2006	Potter	
4,902,256 A	2/1990	Berglund	7,093,842 B2	8/2006	Potter	
4,915,403 A	4/1990	Wild	7,182,360 B2	2/2007	Paasch et al.	
4,921,513 A	5/1990	Parten	7,195,259 B2	3/2007	Gang	
4,930,794 A	6/1990	Chan	7,198,280 B2	4/2007	Hara	
4,930,924 A	6/1990	Hunt	7,213,823 B1	5/2007	Vujtech	
4,955,626 A	9/1990	Smith	7,252,625 B1	8/2007	Perka	
5,067,058 A	11/1991	Standley	D552,201 S	10/2007	Kwak	
5,098,087 A	3/1992	Matile	D556,283 S	11/2007	Hamborg et al.	
5,160,155 A	11/1992	Barachet	7,316,597 B2	1/2008	Skedelecki	
5,267,743 A	12/1993	Smisek	D561,289 S	2/2008	Stanisewski	
D345,406 S	3/1994	Shankland	7,325,819 B2	2/2008	Kwak	
D346,418 S	4/1994	Fischbach	D564,613 S	3/2008	Hamborg	
5,330,026 A	7/1994	Hsu et al.	7,338,056 B2	3/2008	Chen et al.	
5,347,681 A	9/1994	Watron et al.	7,367,572 B2	5/2008	Jiang	
5,419,570 A	5/1995	Bollotte	D572,332 S	7/2008	Sramek et al.	
5,458,351 A	10/1995	Yu	D577,789 S	9/2008	Mazur	
5,460,558 A	10/1995	Woodstock	7,600,768 B2	10/2009	Chen	
5,492,345 A	2/1996	Kruczek	D607,521 S	1/2010	Chables et al.	
5,505,474 A	4/1996	Yeh	D607,524 S	1/2010	Marciano	
5,529,523 A	6/1996	Wilhelmi	D608,851 S	1/2010	Hillman	
5,540,455 A	7/1996	Chambers	D614,714 S	4/2010	Walworth	
5,549,331 A	8/1996	Yun	7,766,351 B2	8/2010	Chen et al.	
5,566,956 A	10/1996	Wang	7,775,534 B2	8/2010	Chen et al.	
5,601,299 A	2/1997	Yun	D623,701 S	9/2010	Dalgaard et al.	
5,622,759 A	4/1997	Fuster	D623,702 S	9/2010	Dalgaard et al.	
5,707,068 A	1/1998	Bradfield	7,867,050 B2	1/2011	Crispin	
5,766,051 A	6/1998	Messer	7,891,680 B2	2/2011	Chen et al.	
5,826,895 A	10/1998	Bradfield	D638,494 S	5/2011	Scolari et al.	
5,853,182 A	12/1998	Finkle	8,047,556 B2	11/2011	Jang et al.	
5,855,385 A	1/1999	Hambusch	8,061,725 B1	11/2011	Hawkins	
5,884,983 A	3/1999	Wu	8,118,319 B2	2/2012	Hsieh	
5,893,425 A *	4/1999	Finkle	D655,772 S	3/2012	Bin	
		A63C 17/015	8,157,274 B2	4/2012	Chen	
		180/181	D667,382 S *	9/2012	Cosentino	D13/168
D410,515 S	6/1999	Alexander	D673,233 S	12/2012	Baggett	
5,910,035 A	6/1999	Rebotier et al.	8,360,475 B2	1/2013	Cristiano	
D413,954 S	9/1999	Gerlach	8,408,565 B2	4/2013	An	
5,984,328 A	11/1999	Tipton	8,414,000 B2	4/2013	Chen	
D422,661 S	4/2000	Edwards et al.	8,469,376 B2	6/2013	Kristiansen	
D422,662 S	4/2000	Edwards et al.	D692,079 S	10/2013	Mackay	
6,050,357 A	4/2000	Staelin	D692,080 S	10/2013	Hamborg et al.	
6,056,302 A	5/2000	Smith	8,632,084 B2	1/2014	Lovley, II et al.	
6,059,303 A	5/2000	Bradfield	D698,881 S	2/2014	Hamborg	
6,102,415 A	8/2000	Stewardson	D699,803 S	2/2014	Yamabe	
6,106,347 A	8/2000	Harness	D705,372 S	5/2014	Harris	
6,193,249 B1	2/2001	Buscaglia	8,720,916 B2	5/2014	Bermal	
6,206,389 B1	3/2001	Yagi	8,857,831 B1	10/2014	Rotondo	
6,254,113 B1	7/2001	Dornan	8,915,506 B2	12/2014	Piaceski et al.	
6,293,565 B1	9/2001	Bouchard et al.	D724,166 S	3/2015	Hamborg et al.	
6,315,304 B1	11/2001	Kirkland et al.	D728,048 S	4/2015	Stover	
6,328,328 B1	12/2001	Finiel	D739,906 S	9/2015	Chen	
6,338,494 B1	1/2002	Killian	D743,381 S *	11/2015	Pi	D14/218
D455,186 S	4/2002	Koester	9,186,570 B1	11/2015	Wells	
D456,047 S	4/2002	Mandic	9,302,173 B2	4/2016	DiCarlo	
6,398,237 B1	6/2002	Attey	9,393,481 B2	7/2016	Fournier	
6,419,248 B1	7/2002	Kay	D770,585 S	11/2016	Desberg	
6,419,249 B1	7/2002	Chen	9,492,731 B2	11/2016	Marusiak et al.	
6,428,022 B1	8/2002	Namiki	D785,115 S	4/2017	Ying	
6,440,526 B1	8/2002	Gamble et al.	D789,366 S *	6/2017	Jentz	D14/388
6,481,724 B1	11/2002	Whipp	D790,015 S	6/2017	Tan	
6,485,044 B1	11/2002	Blake	9,682,309 B2	6/2017	Huang	
6,494,467 B1	12/2002	Menges	D792,931 S	7/2017	Desberg	
			D799,450 S *	10/2017	Lee	D14/218
			9,795,864 B1 *	10/2017	Bao	A63C 17/0046
			9,975,035 B1	5/2018	Wang	

(56)

References Cited

FOREIGN PATENT DOCUMENTS

U.S. PATENT DOCUMENTS

10,022,615 B2 7/2018 Huang
 10,022,616 B1 7/2018 Consol
 D827,748 S 9/2018 Desberg
 D829,838 S 10/2018 Huang
 D865,096 S 10/2019 Desberg
 D871,532 S 12/2019 Huang
 10,625,830 B2 4/2020 Lenchner et al.
 10,709,960 B2 7/2020 Huang
 10,787,218 B2 9/2020 Wen
 D899,543 S 10/2020 Desberg
 D911,476 S 2/2021 Huang
 D920,197 S * 5/2021 Wan D14/218
 2002/0043774 A1 4/2002 Chou
 2002/0067015 A1 6/2002 Tierney et al.
 2002/0149166 A1 10/2002 Potter
 2002/0195788 A1 12/2002 Tierney et al.
 2003/0124923 A1 7/2003 Mercer
 2003/0155725 A1 8/2003 Roderick
 2003/0155733 A1 8/2003 Tan et al.
 2004/0021281 A1 2/2004 Stephens
 2004/0144582 A1 7/2004 Baker et al.
 2004/0163867 A1 8/2004 Hillman
 2004/0212160 A1 10/2004 Roderick
 2004/0262872 A1 12/2004 Kang
 2006/0032682 A1 2/2006 Hillman
 2006/0032685 A1 2/2006 Koide
 2006/0038361 A1 2/2006 Sano
 2006/0049595 A1 3/2006 Crigler
 2006/0055135 A1 3/2006 Tracewell et al.
 2006/0055137 A1 3/2006 Jiang
 2006/0163830 A1 7/2006 Kwak
 2007/0001414 A1 1/2007 Kang
 2007/0035102 A1 2/2007 McClain
 2007/0132199 A1 6/2007 Smith
 2007/0252355 A1 11/2007 Chen et al.
 2007/0257459 A1 11/2007 Gang
 2007/0272465 A1 11/2007 Su
 2007/0273118 A1 11/2007 Conrad
 2007/0296164 A1 12/2007 Roderick
 2009/0045598 A1 2/2009 Lee
 2009/0058028 A1 3/2009 Chen
 2009/0134591 A1 5/2009 Chen et al.
 2009/0270002 A1 10/2009 Crispin
 2009/0295111 A1 12/2009 O'Rourke
 2010/0222941 A1 * 9/2010 Chang A63C 17/12
 701/2
 2010/0225080 A1 9/2010 Smith
 2010/0253027 A1 10/2010 Chen et al.
 2011/0037238 A1 2/2011 Devine
 2011/0187069 A1 8/2011 Marcel
 2012/0187648 A1 7/2012 Chen
 2013/0001910 A1 1/2013 Hsu
 2013/0168936 A1 7/2013 Morita
 2014/0210175 A1 7/2014 Hsu
 2016/0144267 A1 * 5/2016 Huang A63C 17/0033
 180/181
 2016/0332062 A1 11/2016 Wu et al.
 2017/0056756 A1 * 3/2017 Pikulski A63C 17/016
 2017/0151489 A1 6/2017 Kim
 2018/0296907 A1 10/2018 Huang
 2018/0318698 A1 * 11/2018 Ji A63C 17/223
 2019/0070486 A1 3/2019 Shi
 2020/0282296 A1 9/2020 Chen et al.
 2020/0346099 A1 11/2020 Li
 2021/0077892 A1 3/2021 Desberg
 2021/0077894 A1 3/2021 Huang

CN 101309730 11/2008
 CN 201205442 3/2009
 CN 206183946 5/2017
 CN 207157383 U 3/2018
 DE 202008012754 1/2009
 DK 176806 10/2009
 EP 1511541 3/2005
 EP 1679101 7/2006
 GB 2318519 4/1998
 GB 2464676 4/2010
 JP H0I-117385 U 8/1989
 JP 10-211313 8/1998
 JP 2000-500369 1/2000
 JP 2001-029663 2/2001
 JP A 2002-502743 1/2002
 JP 2005-537820 12/2005
 JP A 2008-545480 12/2008
 JP A 2015-527908 9/2015
 KR 10 20050060368 6/2005
 KR 200 400 315 Y1 11/2005
 KR 200 410 530 Y1 3/2006
 KR 10-0921839 10/2009
 KR 10-20010110239 12/2011
 SU 1405865 4/1986
 TW 247446 5/1995
 TW 266104 12/1995
 WO WO 1993/01870 2/1993
 WO WO 1997/018865 5/1997
 WO WO 1999/39787 8/1999
 WO WO 2002/040116 5/2002
 WO WO 2003/092831 11/2003
 WO WO 2004/105901 12/2004
 WO WO 2006/022472 3/2006
 WO WO 2007/102645 9/2007
 WO WO 2007/111466 10/2007
 WO WO 2007/117092 10/2007
 WO WO 2007/127554 11/2007
 WO WO 2007/139356 12/2007
 WO WO 2009/036074 3/2009
 WO WO 2009/100722 8/2009
 WO WO 2010/019627 2/2010
 WO WO 2012/083950 6/2012
 WO WO 2014/009760 1/2014
 WO WO 2016/086066 6/2016
 WO WO 2018/195103 10/2018
 WO WO 2020/181093 9/2020
 WO WO 2021/055852 3/2021

OTHER PUBLICATIONS

“About: Skateboarding; The Wave” <http://skateboard.about.com/cs/fringeboarding/gr/XBoard.html>; Jan. 2007, in 2 pages.
 International Preliminary Report on Patentability for International Application No. PCT/US2015/062534, dated Jun. 8, 2017, in 8 pages.
 International Search Report and Written Opinion for International Application No. PCT/US2015/062534 dated Feb. 15, 2016.
 Micelle’ Electric Wave Board [XinCheJian], URL—<http://xinchejian.com/2011/05/07/micelles-electric-wave-board/>; May 2011, in 6 pages.
 The Wave, Streetsurfing, <http://www.streetsurfing.com/wave/skating.html>; Mar. 2007, in 2 pages.

* cited by examiner

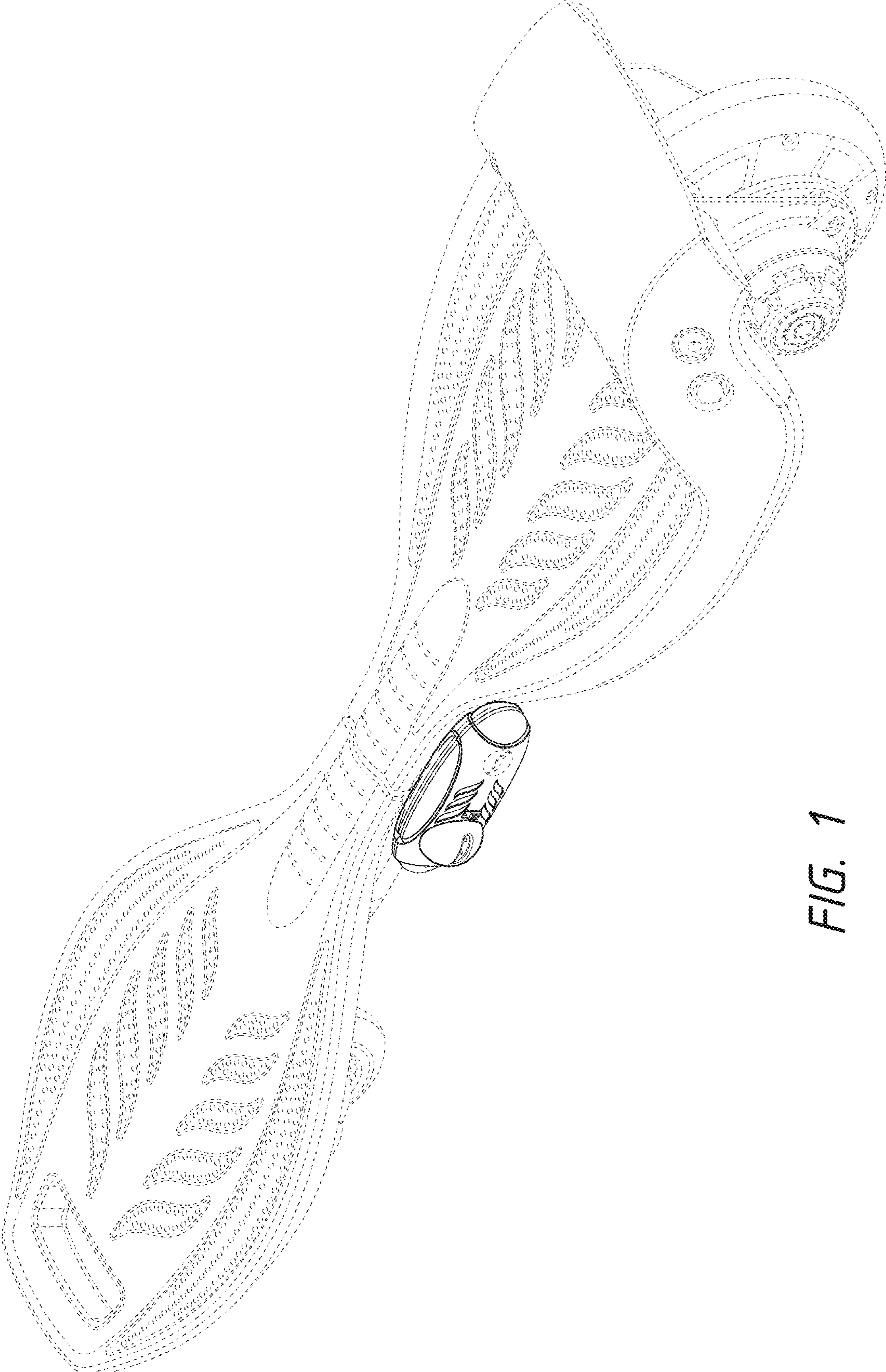


FIG. 1

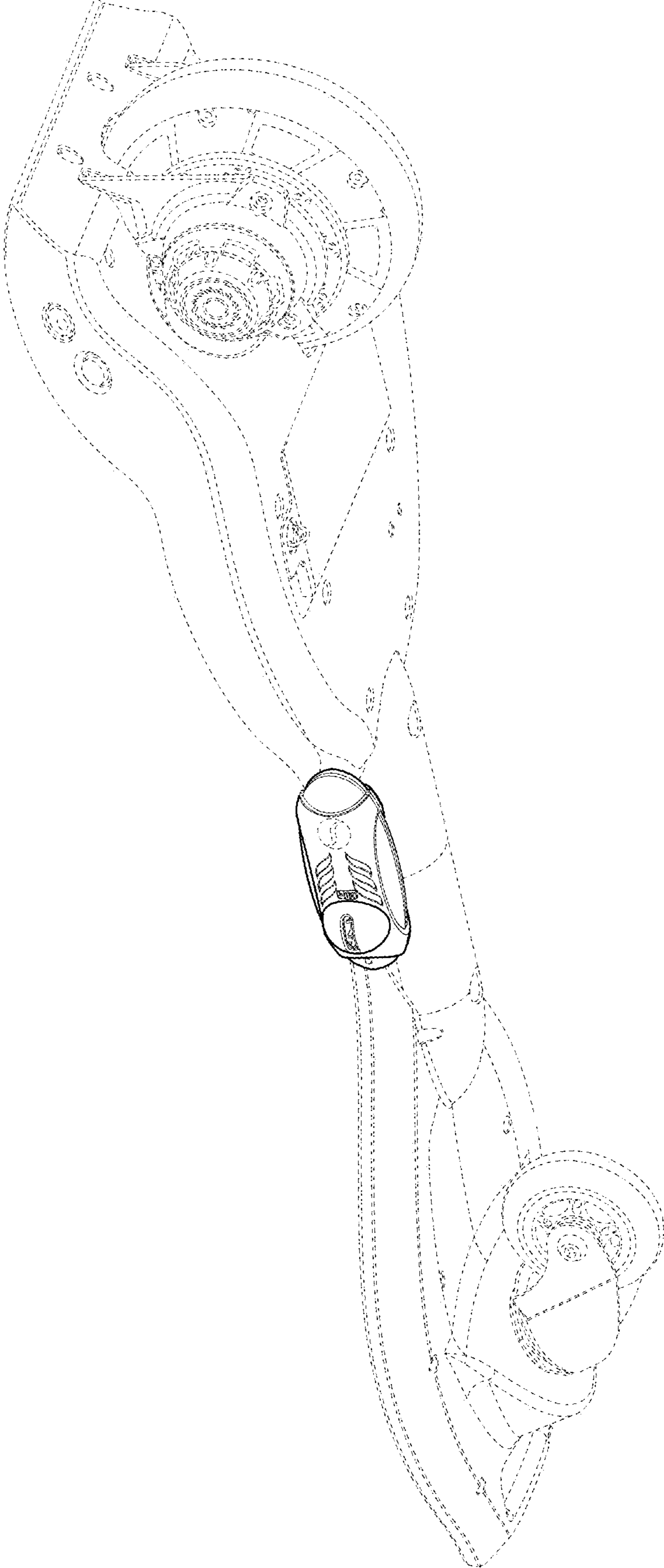


FIG. 2

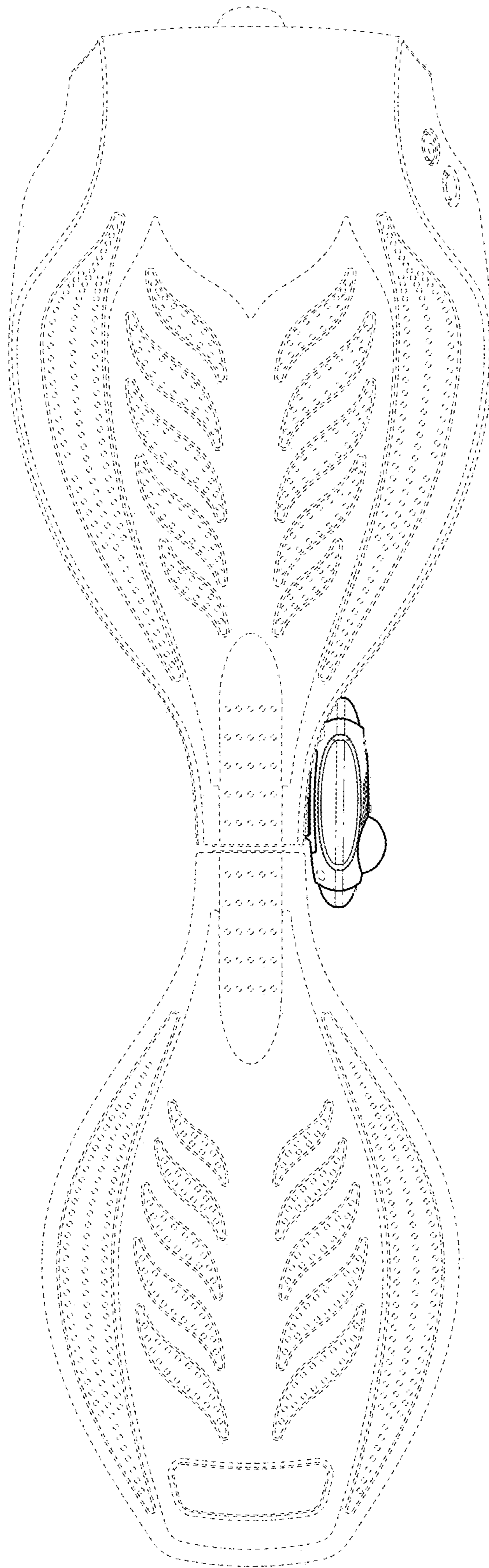


FIG. 3

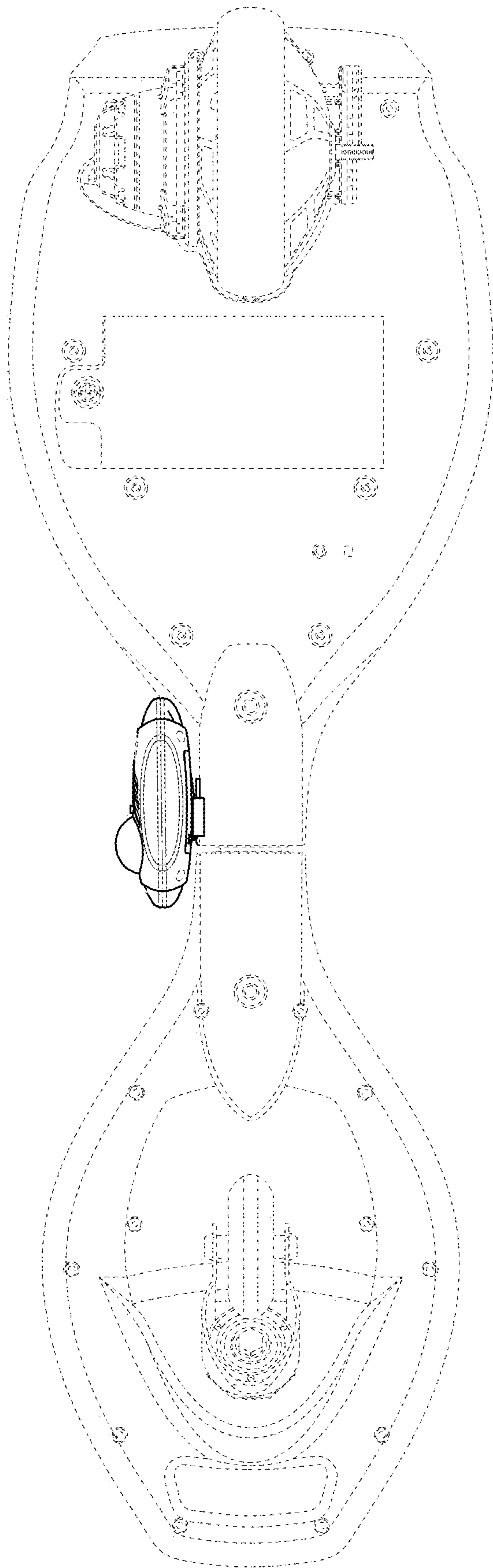


FIG. 4

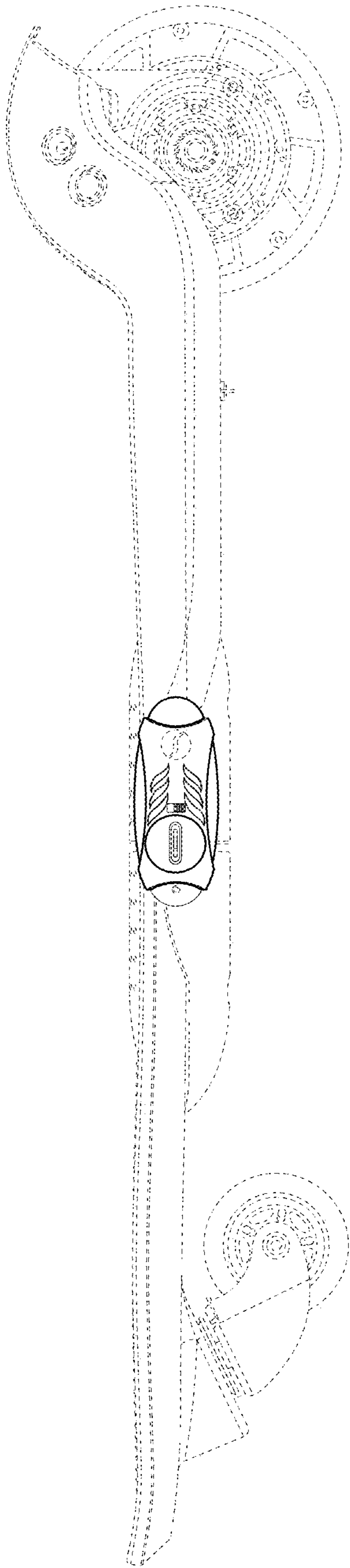


FIG. 5

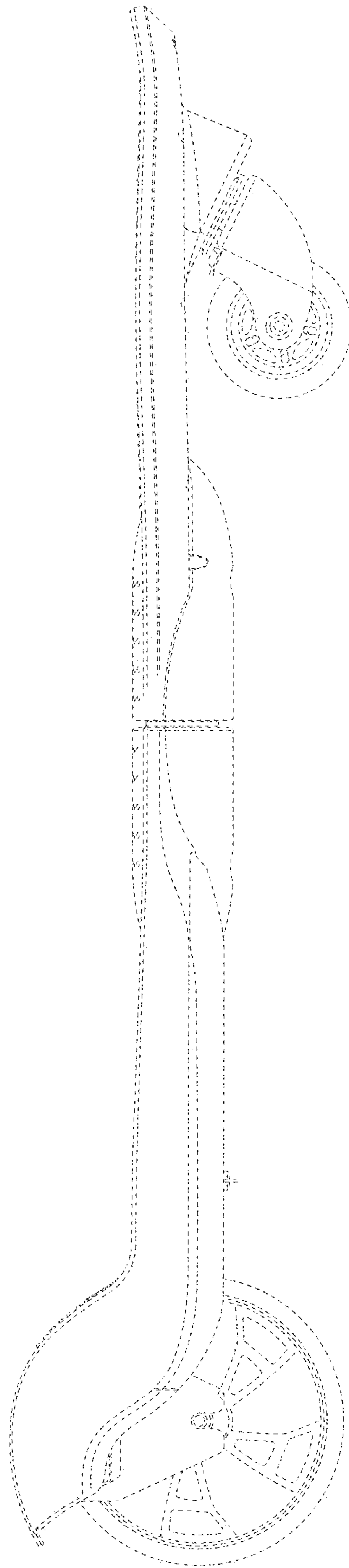


FIG. 6

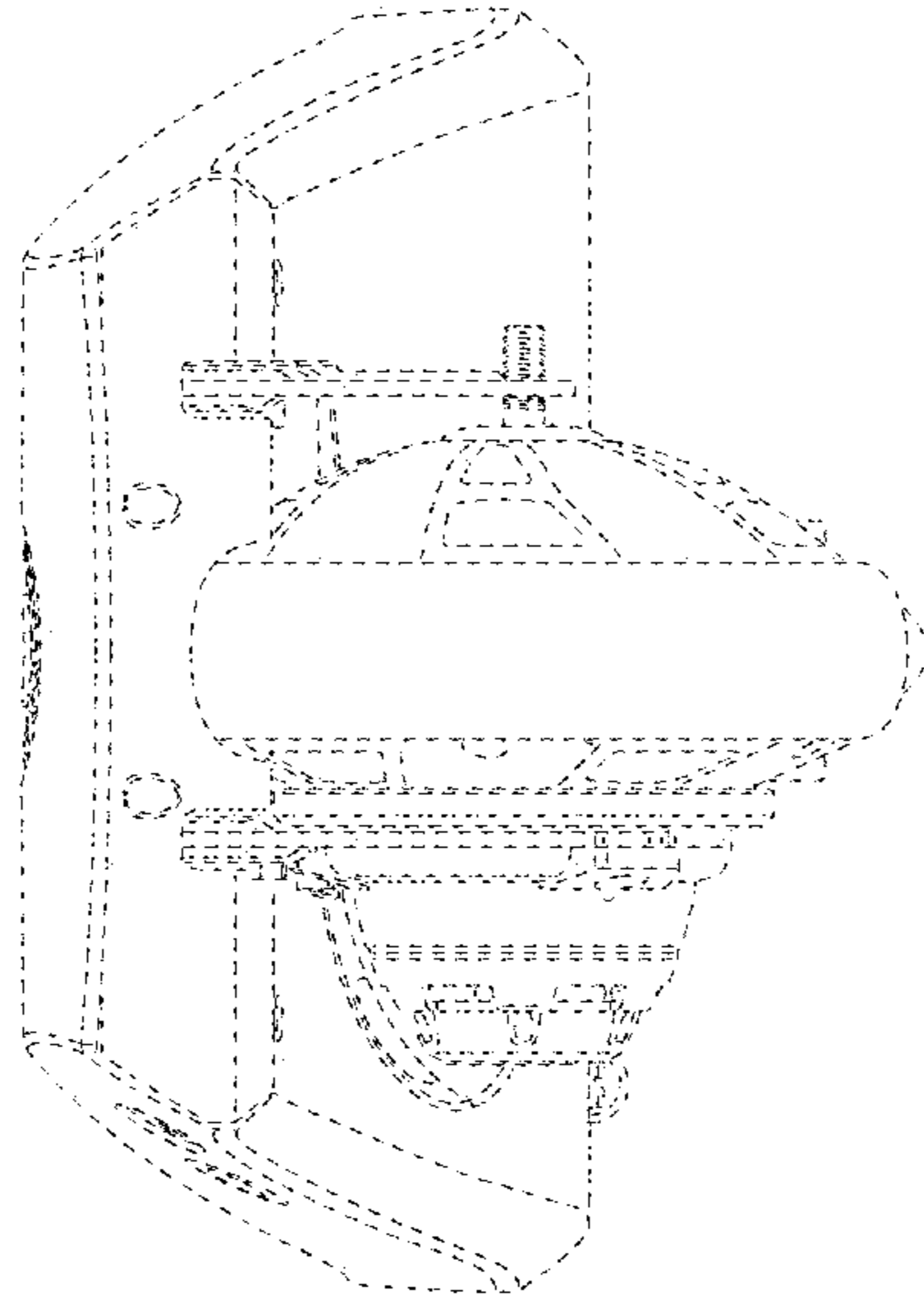


FIG. 7

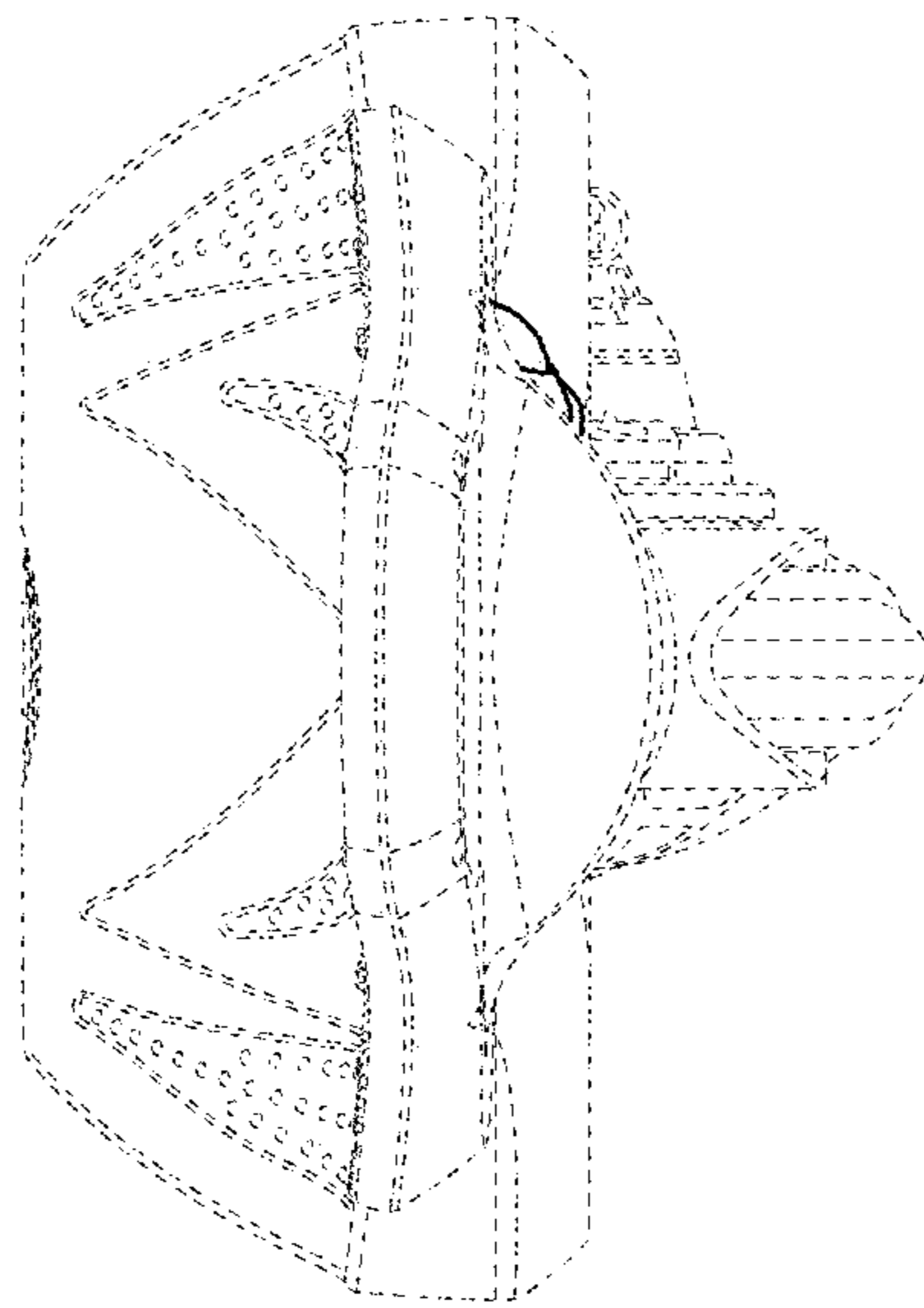


FIG. 8