

US00D942567S

(12) **United States Design Patent** (10) **Patent No.:** **US D942,567 S**
Jones et al. (45) **Date of Patent:** **** Feb. 1, 2022**

(54) **EXERCISE BIKE**

(56) **References Cited**

(71) Applicant: **Coulter Ventures, LLC.**, Columbus, OH (US)
(72) Inventors: **Dylan Jones**, Santa Barbara, CA (US); **Matt Dubberley**, Santa Barbara, CA (US); **Patrick Burgess**, Cullowhee, NC (US)
(73) Assignee: **Coulter Ventures, LLC.**, Columbus, OH (US)

U.S. PATENT DOCUMENTS

4,188,030 A 2/1980 Hooper
D272,182 S 1/1984 Fowler et al.
(Continued)

FOREIGN PATENT DOCUMENTS

EM 001622945-0007 10/2009
EM 002248963-0001 7/2013
(Continued)

(**) Term: **15 Years**
(21) Appl. No.: **29/762,929**
(22) Filed: **Dec. 18, 2020**

OTHER PUBLICATIONS

Rogue Echo Bike product advertisement from <https://www.youtube.com/watch?v=9xfUu652CMg>, dated Dec. 26, 2017.
(Continued)

Primary Examiner — Ryan Harvey
(74) *Attorney, Agent, or Firm* — Banner & Witcoff, Ltd.

Related U.S. Application Data

(63) Continuation of application No. 29/741,408, filed on Jul. 13, 2020, which is a continuation of application No. 29/715,475, filed on Dec. 2, 2019, now Pat. No. Des. 890,275, which is a continuation of application No. 29/689,885, filed on May 2, 2019, now Pat. No. (Continued)

(57) **CLAIM**

The ornamental design for an exercise bike, as shown and described.

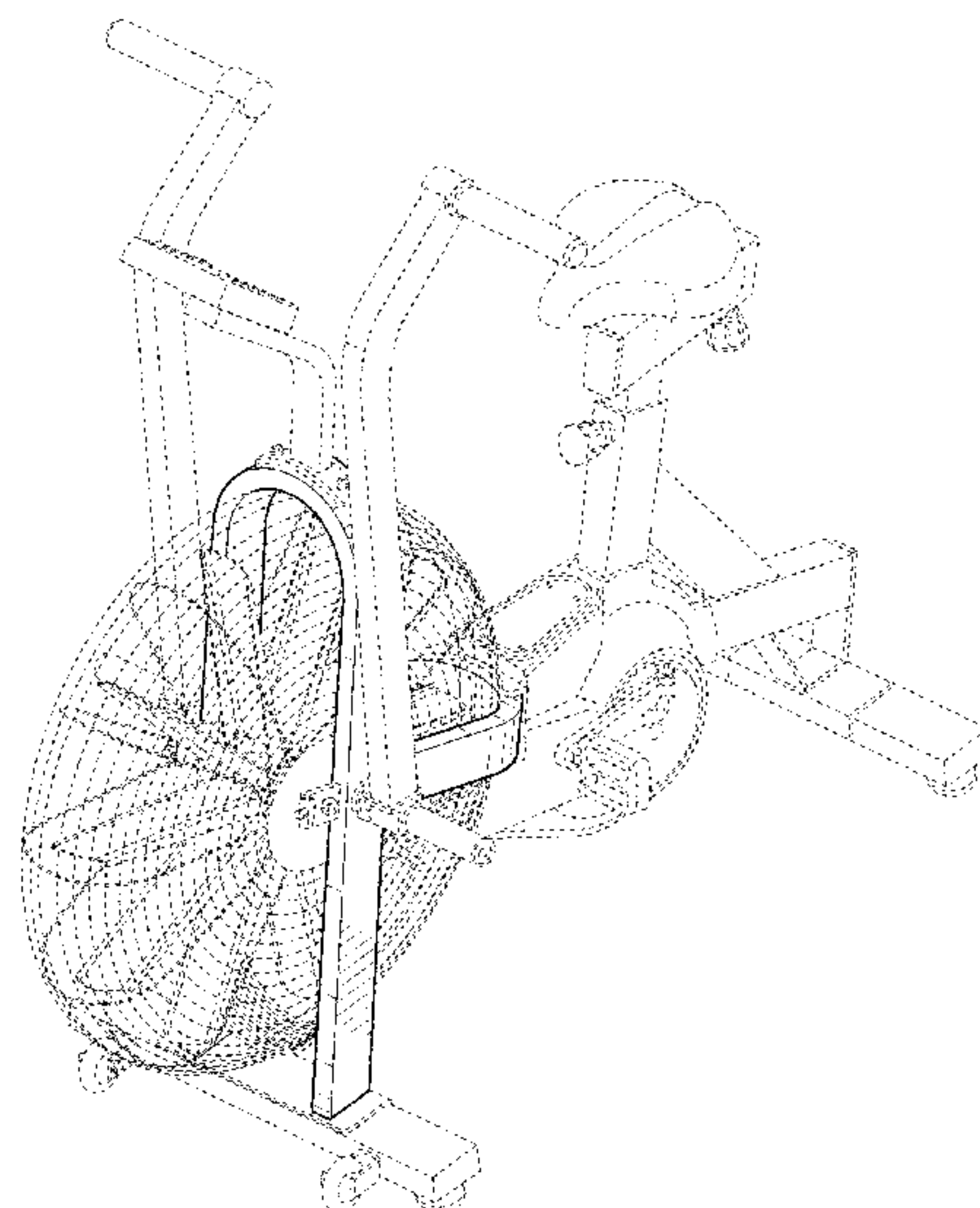
(51) **LOC (13) Cl.** **21-02**
(52) **U.S. Cl.**
USPC **D21/697**

DESCRIPTION

(58) **Field of Classification Search**
USPC D21/663, 667, 666, 697, 694, 665, 668, D21/664, 690, 676, 670; 482/57, 62, 482/111, 139, 145, 60, 51, 123, 72, 61, 482/58, 9; 74/502.4, 502.6, 594.2, 594.1, 74/48; D12/178, 411, 345; D23/382, D23/381, 378, 412, 411; D13/115; D15/7
CPC . A63B 22/0605; A63B 21/225; A63B 22/001; A63B 22/0664; A63B 21/4047;
(Continued)

FIG. 1 is a top, front, left perspective view of an exercise bike showing our new design;
FIG. 2 is a top, front, right perspective view thereof;
FIG. 3 is a rear view thereof;
FIG. 4 is a front view thereof;
FIG. 5 is a left side view thereof;
FIG. 6 is a right side view thereof;
FIG. 7 is a top view thereof;
FIG. 8 is a top, rear, left perspective view thereof; and,
FIG. 9 is a top, rear, right perspective view thereof.
The broken lines immediately adjacent to the shaded area define the bounds of the claimed design and form no part thereof. The broken lines depicting the remainder of the exercise bike form no part of the claimed design.

1 Claim, 9 Drawing Sheets



Related U.S. Application Data

Des. 870,829, which is a continuation of application No. 29/658,628, filed on Aug. 1, 2018, now Pat. No. Des. 858,663.

(58) **Field of Classification Search**

CPC ... A63B 21/0088; A63B 69/16; A63B 21/015; A63B 2225/09; A63B 2022/0652
See application file for complete search history.

(56) **References Cited**

U.S. PATENT DOCUMENTS

| | | |
|--------------|---------|-----------------|
| D292,304 S | 10/1987 | Ostrom |
| 4,712,789 A | 12/1987 | Brilando |
| 4,712,790 A | 12/1987 | Szymski |
| 4,824,102 A | 4/1989 | Lo |
| 4,880,225 A | 11/1989 | Lucas et al. |
| 4,889,335 A | 12/1989 | Chen |
| D306,330 S | 2/1990 | Lucas et al. |
| D307,167 S | 4/1990 | Lucas et al. |
| 4,917,376 A | 4/1990 | Lo |
| D307,614 S | 5/1990 | Bingham et al. |
| D307,615 S | 5/1990 | Bingham et al. |
| 4,932,649 A | 6/1990 | Chen |
| 4,961,569 A | 10/1990 | Roberge |
| 4,961,570 A | 10/1990 | Chang |
| 4,962,925 A | 10/1990 | Chang |
| 4,971,316 A | 11/1990 | Dalebout et al. |
| 4,981,294 A | 1/1991 | Dalebout et al. |
| 5,000,444 A | 3/1991 | Dalebout et al. |
| D319,274 S | 8/1991 | Byrd et al. |
| D319,480 S | 8/1991 | Byrd et al. |
| D319,675 S | 9/1991 | Byrd et al. |
| 5,048,824 A | 9/1991 | Chen |
| 5,149,312 A | 9/1992 | Croft et al. |
| D330,236 S | 10/1992 | Jarriel et al. |
| D333,868 S | 3/1993 | Yaung |
| RE34,478 E | 12/1993 | Dalebout et al. |
| D344,583 S | 2/1994 | Hsu |
| 5,290,212 A | 3/1994 | Metcalf |
| 5,346,445 A | 9/1994 | Chang |
| 5,397,286 A | 3/1995 | Chang |
| 5,443,434 A | 8/1995 | Buchanan et al. |
| 5,795,270 A | 8/1998 | Woods et al. |
| D418,218 S | 12/1999 | Hsu |
| 6,159,132 A | 12/2000 | Chang |
| 6,220,991 B1 | 4/2001 | Sellers |
| D459,796 S | 7/2002 | Moreno |
| D465,818 S | 11/2002 | Goldberg |
| D473,274 S | 4/2003 | Baudhuin et al. |
| D473,602 S | 4/2003 | Baudhuin et al. |
| D474,252 S | 5/2003 | Lull et al. |
| D488,861 S | 4/2004 | Moreno |
| D503,472 S | 3/2005 | Tai |
| D503,474 S | 3/2005 | Tai |
| 6,881,178 B1 | 4/2005 | Goldberg |
| D507,313 S | 7/2005 | Goldberg |
| D516,208 S | 2/2006 | Tai |
| 7,175,570 B2 | 2/2007 | Lull et al. |
| D636,449 S | 4/2011 | Wu |
| D645,134 S | 9/2011 | Lee et al. |
| D654,134 S | 2/2012 | Edge et al. |
| D677,351 S | 3/2013 | Baudhuin |
| D677,747 S | 3/2013 | Baudhuin et al. |
| D679,765 S | 4/2013 | Baudhuin et al. |
| D699,305 S | 2/2014 | Rauwerdink |
| D699,795 S | 2/2014 | Rauwerdink |
| D699,796 S | 2/2014 | Flick et al. |
| D700,668 S | 3/2014 | Flick et al. |
| D709,566 S | 7/2014 | Baudhuin |
| D709,567 S | 7/2014 | Baudhuin et al. |
| D756,500 S | 5/2016 | Rasmussen |
| D767,049 S | 9/2016 | Flick et al. |
| D767,050 S | 9/2016 | Flick et al. |
| D767,051 S | 9/2016 | Flick et al. |

| | | |
|-----------------|---------|---------------------|
| D781,385 S | 3/2017 | Flick et al. |
| D781,971 S | 3/2017 | Hsieh |
| D806,223 S | 12/2017 | Allard et al. |
| 9,889,336 B1 | 2/2018 | Chen |
| D834,174 S | 11/2018 | Fuselier |
| D850,603 S | 6/2019 | Wang |
| D852,905 S | 7/2019 | Flick |
| D856,445 S | 8/2019 | Jones |
| D858,663 S | 9/2019 | Jones et al. |
| D861,809 S | 10/2019 | Jones et al. |
| D870,829 S | 12/2019 | Jones et al. |
| D873,305 S | 1/2020 | Thooft et al. |
| D873,405 S | 1/2020 | McRoberts |
| D890,275 S * | 7/2020 | Jones D21/697 |
| 2007/0179025 A1 | 8/2007 | Tsai |
| 2012/0065029 A1 | 3/2012 | Dunlap |
| 2017/0274238 A1 | 9/2017 | Chou |
| 2018/0064982 A1 | 3/2018 | Chen |
| 2018/0256932 A1 | 9/2018 | Hsu |
| 2018/0326257 A1 | 11/2018 | Jones et al. |

FOREIGN PATENT DOCUMENTS

| | | |
|----|----------------|---------|
| EM | 002248963-0003 | 7/2013 |
| EM | 002746099-0002 | 8/2015 |
| EP | 001622945-0005 | 10/2009 |

OTHER PUBLICATIONS

Rogue Echo Bike product advertisement from <<https://www.instagram.com/p/BdLU0L1f7u/?hl=en>>, dated Dec. 26, 2017.

Rogue Echo Bike product listing from <<https://www.roguefitness.com/rogue-echo-bike>>, dated Sep. 13, 2018.

Schwinn Airdyne Pro product advertisement from <https://www.youtube.com/watch?v=c4t_XRTzwPk>, dated Nov. 17, 2015.

Schwinn Airdyne Pro product listing from <<https://www.roguefitness.com/schwinn-airdyne-pro>>, dated Sep. 13, 2018.

Schwinn Airdyne AD6 product listing from <https://www.schwinnfitness.com/ad6/100250.html?adID=SDOSG2SSL4&gclid=EAlalQobChMI2JjUhOa43QIVyh-GCh1j5wPmEAAYAAEgJJ7fD_BwE&gclidsrc=aw.ds&psearch=1>, dated Sep. 13, 2018.

Concept2 BikeERG product advertisement from <<https://www.youtube.com/watch?v=nq9fnKhJMgg>>, dated Sep. 1, 2017.

Concept2 BikeERG product listing from <<https://www.concept2.com/bikeerg/concept2-bikeerg>>, dated Sep. 13, 2018.

Concept2 BikeERG product listing from <<https://www.roguefitness.com/concept2-bike-erg>>, dated Sep. 13, 2018.

Assault Airbike product listing from <<https://www.roguefitness.com/assault-airbike-and-accessories>>, dated Sep. 13, 2018.

Assault Airbike product photos from <<https://www.assaultfitness.com/products/airbike-classic>>, dated Sep. 13, 2018.

Assault Airbike product advertisement from <<https://www.youtube.com/watch?v=uvgwUrD8W6w>>, dated Feb. 9, 2015.

Assault Airbike Elite product advertisement from <<https://www.youtube.com/watch?v=YdSAtaj5xWw>>, dated Nov. 21, 2017.

Assault Airbike Elite product photos from <<https://www.assaultfitness.com/products/airbike-elite>>, dated Sep. 13, 2018.

EUIPO search of Registered Community Design No. 000134168-0004, accessed, Feb. 10, 2021.

EUIPO search of Registered Community Design No. 000150552-0002, accessed, Feb. 10, 2021.

EUIPO search of Registered Community Design No. 000467337-0001, accessed, Feb. 10, 2021.

EUIPO search of Registered Community Design No. 001135206-0005, accessed, Feb. 10, 2021.

EUIPO search of Registered Community Design No. 001622945-0005, accessed, Feb. 10, 2021.

EUIPO search of Registered Community Design No. 001622945-0007, accessed, Feb. 10, 2021.

EUIPO search of Registered Community Design No. 002248963-0001, accessed, Feb. 10, 2021.

EUIPO search of Registered Community Design No. 002248963-0003, accessed, Feb. 10, 2021.

(56)

References Cited

OTHER PUBLICATIONS

EUIPO search of Registered Community Design No. 002280453-0001, accessed, Feb. 10, 2021.

EUIPO search of Registered Community Design No. 002746099-0002, accessed, Feb. 10, 2021.

Screenshot of Rogue Echo Bike from <https://www.rogueeurope.eu/rogue-echo-bike-eu>, publicly disclosed no later than Apr. 7, 2019, accessed Feb. 10, 2021.

Screenshot of Garage Gym Reviews showing the Xebex Airmill Air Bike from <https://www.garagegymreviews.com/xebex-airmill-air-bike>, earliest known date Aug. 9, 2020, accessed Feb. 10, 2021.

Coulter Ventures LLC v Bulldog Gear Limited, UK High Court (Eng. & Wales), Claim No. HP-2019-000054, Defence and Counterclaim, dated Feb. 13, 2020.

Coulter Ventures LLC v Bulldog Gear Limited, High Court (Eng. & Wales), Claim No. HP-2019-000054, Defendant's Initial Disclosure List of Documents, dated Feb. 12, 2020.

Coulter Ventures LLC v Bulldog Gear Limited, High Court (Eng. & Wales), Claim No. HP-2019-000054, Amended Defence and Counterclaim, dated Apr. 23, 2020.

Coulter Ventures LLC v Bulldog Gear Limited, High Court (Eng. & Wales), Claim No. HP-2019-000054, Amended Defendant's Initial Disclosure List of Documents, dated Apr. 23, 2020.

Coulter Ventures LLC v Bulldog Gear Limited, High Court (Eng. & Wales), Claim No. HP-2019-000054, Re-Amended Defence and Counterclaim, dated Feb. 4, 2021.

Coulter Ventures LLC v Bulldog Gear Limited, High Court (Eng. & Wales), Claim No. HP-2019-000054, Claim Form and Particulars of Claim, dated Dec. 18, 2019.

Coulter Ventures LLC v Bulldog Gear Limited, High Court (Eng. & Wales), Claim No. HP-2019-000054, Claimant's Initial Disclosure List of Documents, dated Dec. 18, 2019.

Coulter Ventures LLC v Bulldog Gear Limited, High Court (Eng. & Wales), Claim No. HP-2019-000054, Reply and Defence to Counterclaim, dated Apr. 2, 2020.

Coulter Ventures LLC v Bulldog Gear Limited, High Court (Eng. & Wales), Claim No. HP-2019-000054, Amended Claim Form and Amended Particulars of Claim, dated Dec. 23, 2020.

Coulter Ventures LLC v Bulldog Gear Limited, High Court (Eng. & Wales), Claim No. HP-2019-000054, Amended Reply and Defence to Counterclaim, dated Feb. 18, 2021.

"Assault Air Bike Owner's Manual", Assault Air Bike, pp. 1-24, published 2013 (24 pages).

"Chaimberg RXM Air Bike—Gronk Fitness Edition"; Gronk Fitness; retrieved Feb. 10, 2021; currently believed to be publicly disclosed as early as Jul. 2018; URL: <<<https://www.gronkfitnessproducts.com/products/chaimberg-rxm-air-bike-gronk-fitness-edition>>>.

"ProForm XP Whirlwind 320 Exercise Bike, Review"; Exercise Bike Zone; retrieved Feb. 10, 2021; published Sep. 9, 2014; URL: <<<https://exercisebikezone.blogspot.com/2014/09/proform-xp-whirlwind-320-exercise-bike.html>>>.

"Marcy Fan Bike | NS-1000"; Marcy; retrieved Feb. 10, 2021; publicly disclosed as early as Dec. 29, 2015; URL: <<<https://www.marcypro.com/marcy-fan-bike-ns-1000>>>.

"Schwinn Airdyne AD2 Dual Action Air Cycle"; Fitness Superstore; retrieved Feb. 10, 2021; publicly disclosed as early as Dec. 19, 2017; URL: <<<https://www.fitness-superstore.co.uk/schwinn-airdyne-ad2-dual-action-air-cycle-1.html>>>.

"Schwinn Airdyne AD8"; Schwinn Fitness; retrieved Feb. 10, 2021; publicly disclosed as early as Dec. 18, 2015 URL: <<<https://global.schwinnfitness.com/en/ad8/100475.html>>>.

"Xebex Air Bike"; Xebex Fitness; retrieved Feb. 10, 2021; publicly disclosed as early as May 28, 2016; URL: <<<http://xebexfitness.com/xebexairbike.html>>>.

"[Overview] Schwinn AD2 Airdyne Exercise Bike 2014 Edition!"; Youtube; retrieved Mar. 12, 2021; published Jan. 28, 2014; URL: <<<https://www.youtube.com/watch?v=8QWFa0wuLRU>>>.

Pictures of Schwinn Air-Dyne Exerciser, by Schwinn Bicycle Company, 1 color sheet of photographs, publicly disclosed no later than Dec. 31, 1981.

Catalog for "Schwinn Bicycles and Accessories 1980", Schwinn Bicycle Company, pp. 50-57, published 1980 (8 pages).

Screenshot of Assault Airbike from www.rogueeurope.eu, using the website "waybackmachine" <https://web.archive.org/web/2016041602458/http://www.rogueeurope.eu/assault-air-bike-eu>, dated Apr. 16, 2016, accessed Jun. 2, 2020.

Screenshot of Assault Airbike from <https://www.youtube.com/watch?v=415bFWoX4go>, dated Aug. 27, 2014, accessed Jun. 2, 2020.

Screenshot of Schwinn Airdyne Ad Pro Bike from www.rogueeurope.eu, using the website "waybackmachine" <https://web.archive.org/web/20160319150010/http://www.roguefitness.com/schwinn-airdyne-ad-pro>, dated Mar. 19, 2016, accessed Jun. 2, 2020.

Screenshot of GetRxd Xebex Fitness Air Bike from <https://www.youtube.com/watch?v=EXOBMBRzBFg>, dated May 30, 2016 accessed Jun. 2, 2020.

Screenshot of 'Owner's manual' for Assault AirBike from <https://www.360fitnesssuperstore.com/pdf/fitness-equipment-manuals/Assault/Assault-AirBike-Owners-Manual.pdf>, dated Sep. 2013, accessed Jun. 2, 2020.

Screenshot of Xebex Airbike from <https://www.youtube.com/watch?v=5bUOd9W6iP4>, dated Oct. 17, 2015, accessed Jun. 2, 2020.

Screenshot of Proform XP Whirlwind 280 Bike from <https://www.youtube.com/watch?v=jiFijZFfGEA>, dated Apr. 4, 2012, accessed Jun. 2, 2020.

Screenshot of Assault Airbike from <https://www.youtube.com/watch?v=x4Lo-0eeLbM>, dated May 8, 2016, accessed Jul. 2, 2020.

Screenshot of Elite Assault Bike from <https://www.youtube.com/watch?v=5fkK60ZLDAQ>, dated Sep. 4, 2017, accessed Jul. 2, 2020.

Screenshot from Club Industry article showing release of Elite Assault Bike from <https://www.clubindustry.com/news-Dentral/two-new-assault-fitness-products-hit-gym-floor>, dated Jun. 21, 2017, accessed Jul. 2, 2020.

Screenshot of Airdyne AD2 from <https://www.youtube.com/watch?v=5fkK60ZLDAQ>, dated Feb. 18, 2017, accessed Jul. 2, 2020.

Screenshot of Airmill Air Bike from <https://www.youtube.com/watch?v=DI6ij134q-8>, dated Apr. 17, 2017, accessed Jul. 2, 2020.

Screenshot of Gronk Fitness Chaimberg RXM from <https://www.youtube.com/watch?v=Q9DgiDc4yro>, dated Apr. 20, 2018, accessed Jul. 2, 2020.

Screenshot of JLL Sonic 1 Airbike unboxing from https://www.youtube.com/watch?v=MOH6mQKU-_Y, dated Mar. 8, 2019, accessed Jul. 2, 2020.

Website link to history of exercise bikes released by Mad Dog Athletics, <https://www.maddogg.com/history.html>, accessed Jul. 2, 2020.

Screenshot of Bulldog Gear Airbike 1.0 from https://www.youtube.com/watch?v=MOH6mQKU-_Y, dated Mar. 8, 2019, accessed Jul. 2, 2020.

Screenshot showing sale of Bulldog Gear Airbike 1.0 from www.bulldoggear.eu using the website "waybackmachine" <https://web.archive.org/web/20161208114845/http://www.bulldoggear.eu/collections/conditioning/products/bulldog-gear-airbike>, dated Dec. 8, 2016, accessed Jul. 2, 2020.

Design View Registered Community Design No. 002746099-0002, dated Jul. 30, 2015.

Design View Registered Community Design No. 002248963-0001, dated Jun. 4, 2013.

Design View Registered Community Design No. 002248963-0003, dated Jun. 4, 2013.

Screenshot from LlifeFitness article "50 Years Ago This Ground-breaking Indoor Cycle Changed Fitness" from <https://www.lifefitness.com/en-us/blog/50-years-ago-groundbreaking-indoor-cycle-changed-fitness>, accessed Feb. 10, 2021.

Screenshot of Assault AirBike Classic from <https://www.amazon.com/Assault-Fitness-Air-Bike-AirBike/dp/B00F74RX40>, publicly disclosed as early as Nov. 1, 2013, accessed Feb. 10, 2021.

Screenshot of Assault Fitness AirBike Classic from <https://www.titaniumstrength.co.uk/assault-fitness-airbike-classic.html?gclid=>

(56)

References Cited

OTHER PUBLICATIONS

EAIalQobChMitOjr9fPB7glVqejtCh2ykwqrEAQYAyABEgLiLP DBwE, publically disclosed as early as Nov. 1, 2013, accessed Feb. 10, 2021.

Screenshot of Assault Bike Elite from <https://www.assaultfitness.com/products/airbike-elite>, accessed Feb. 10, 2021.

Canadian Industrial Design Patent No. CA65213 full patent report. Design View Registered Community Design No. 00020557-0004, dated Apr. 9, 2003, accessed Feb. 2, 2021.

Design View Registered Community Design No. 000077219-0001, dated Sep. 19, 2003, accessed Mar. 18, 2021.

Design View Registered Community Design No. 000134168-0004, dated Jan. 27, 2004, accessed Feb. 17, 2021.

Design View Registered Community Design No. 000150552-0002, dated Mar. 9, 2004, accessed Feb. 17, 2021.

Design View Registered Community Design No. 000467337-0001, dated Jan. 18, 2006, accessed Feb. 17, 2021.

Design View Registered Community Design No. 001135206-0005, dated May 6, 2009, accessed Feb. 17, 2021.

Design View Registered Community Design No. 00118093-0001, dated Nov. 23, 2009, accessed, Mar. 18, 2021.

Design View Registered Community Design No. 001202550-0004, dated Apr. 23, 2010, accessed, Mar. 18, 2021.

Design View Registered Community Design No. 001563719-0005, dated Jun. 29, 2009, accessed, Mar. 18, 2021.

Design View Registered Community Design No. 002280453-0001, dated Jul. 24, 2013, accessed, Feb. 17, 2021.

Design View Registered Community Design No. 002453753-0001, dated Apr. 28, 2014, accessed, Mar. 18, 2021.

Design View Registered Community Design No. 002773523-0002, dated Sep. 16, 2015, accessed, Mar. 18, 2021.

Design View Registered Community Design No. 003017870-0002, dated Mar. 7, 2016, accessed, Mar. 18, 2021.

Design View Registered Community Design No. 003450626-0003, dated Nov. 7, 2016, accessed, Mar. 18, 2021.

EUIPO search of Registered Community Design No. 000020557-0004, accessed, Feb. 10, 2021.

* cited by examiner

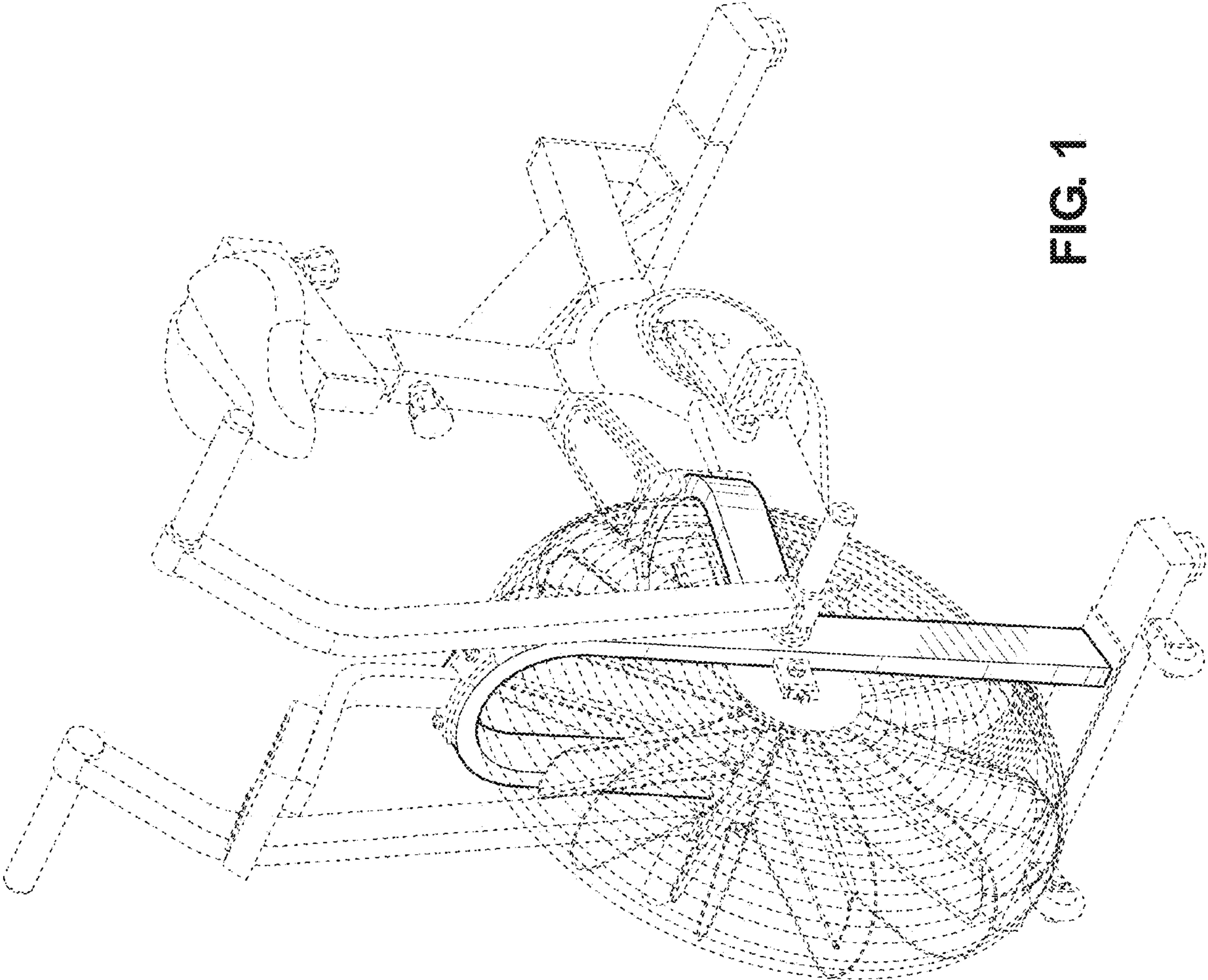


FIG. 1

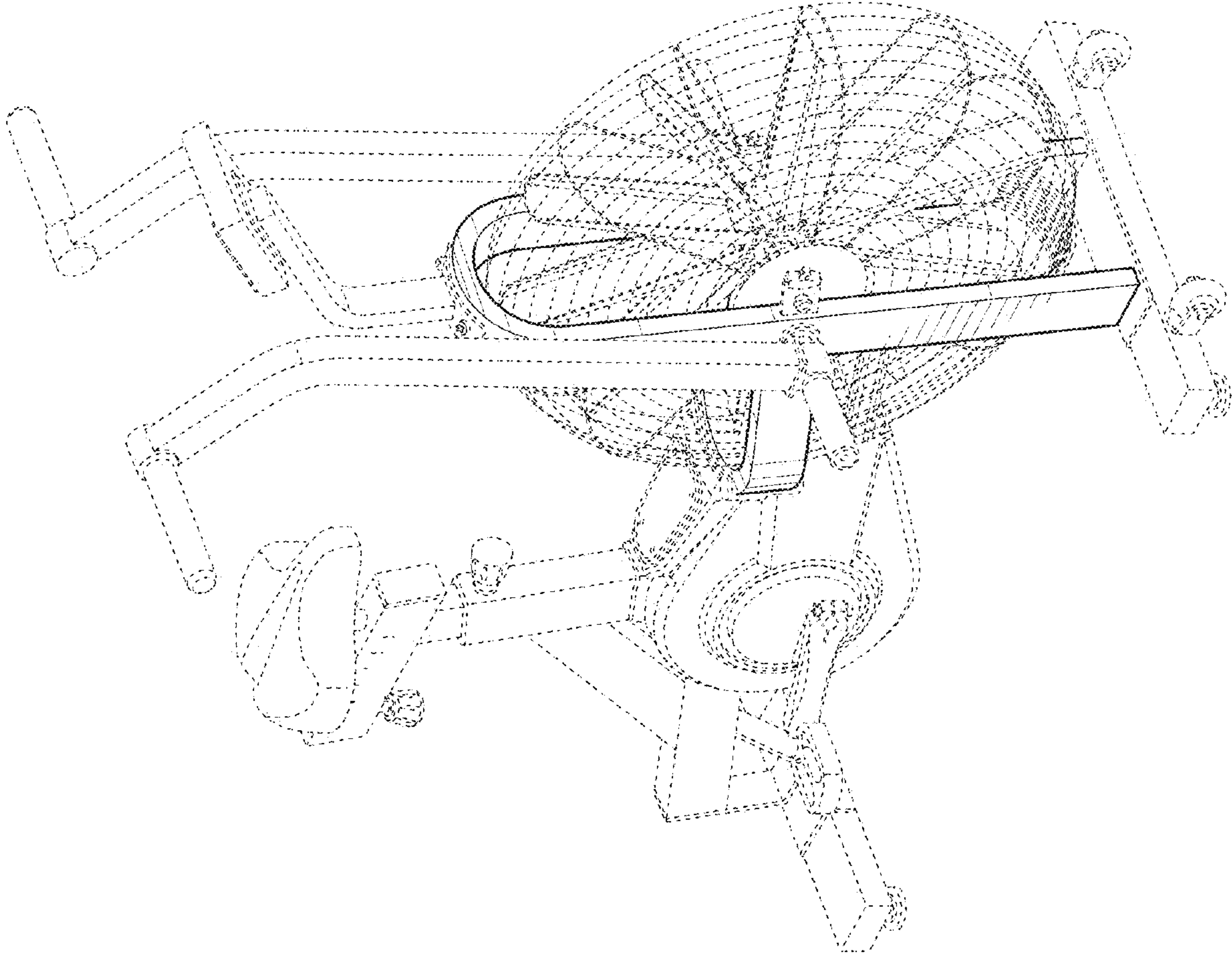


FIG. 2

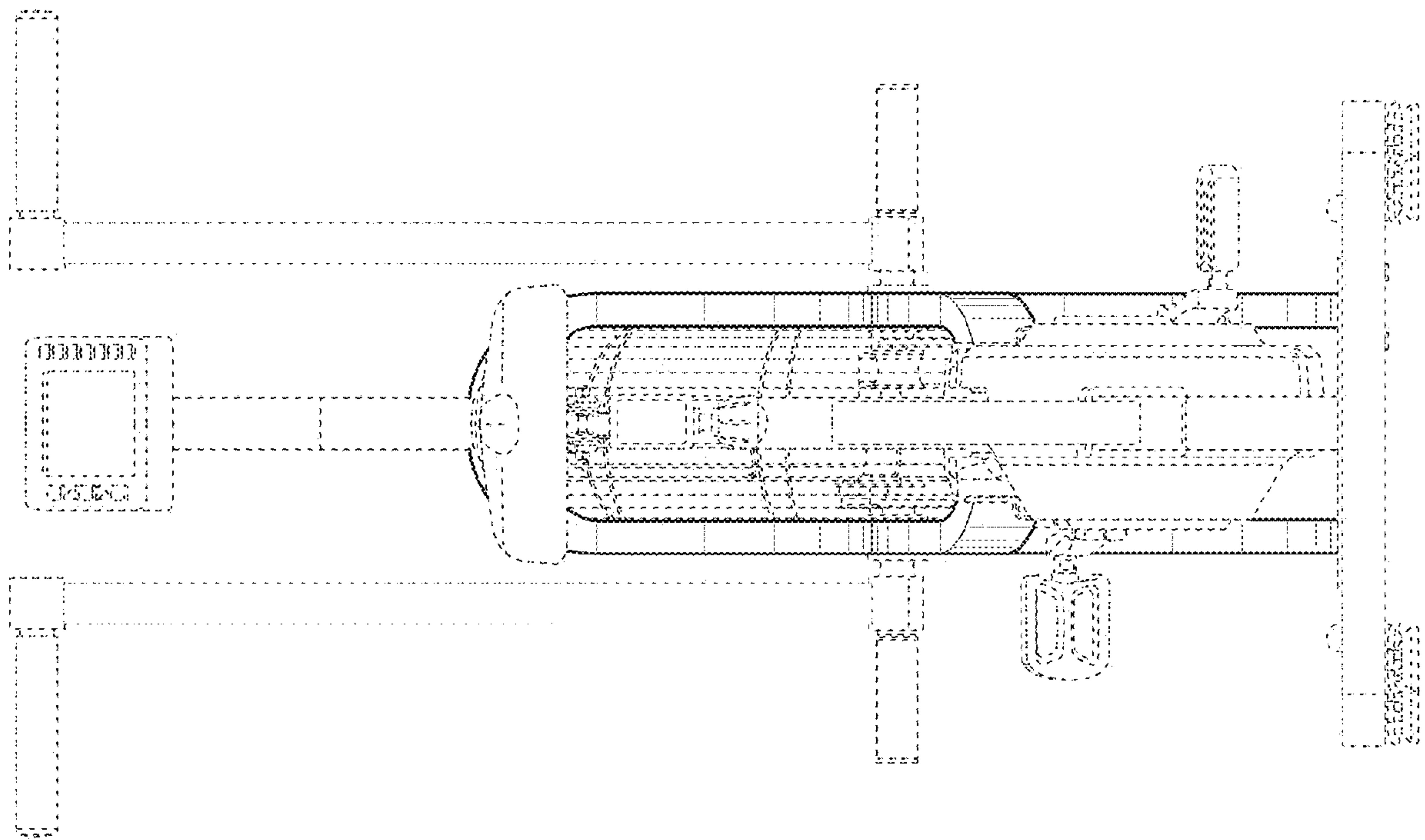


FIG. 3

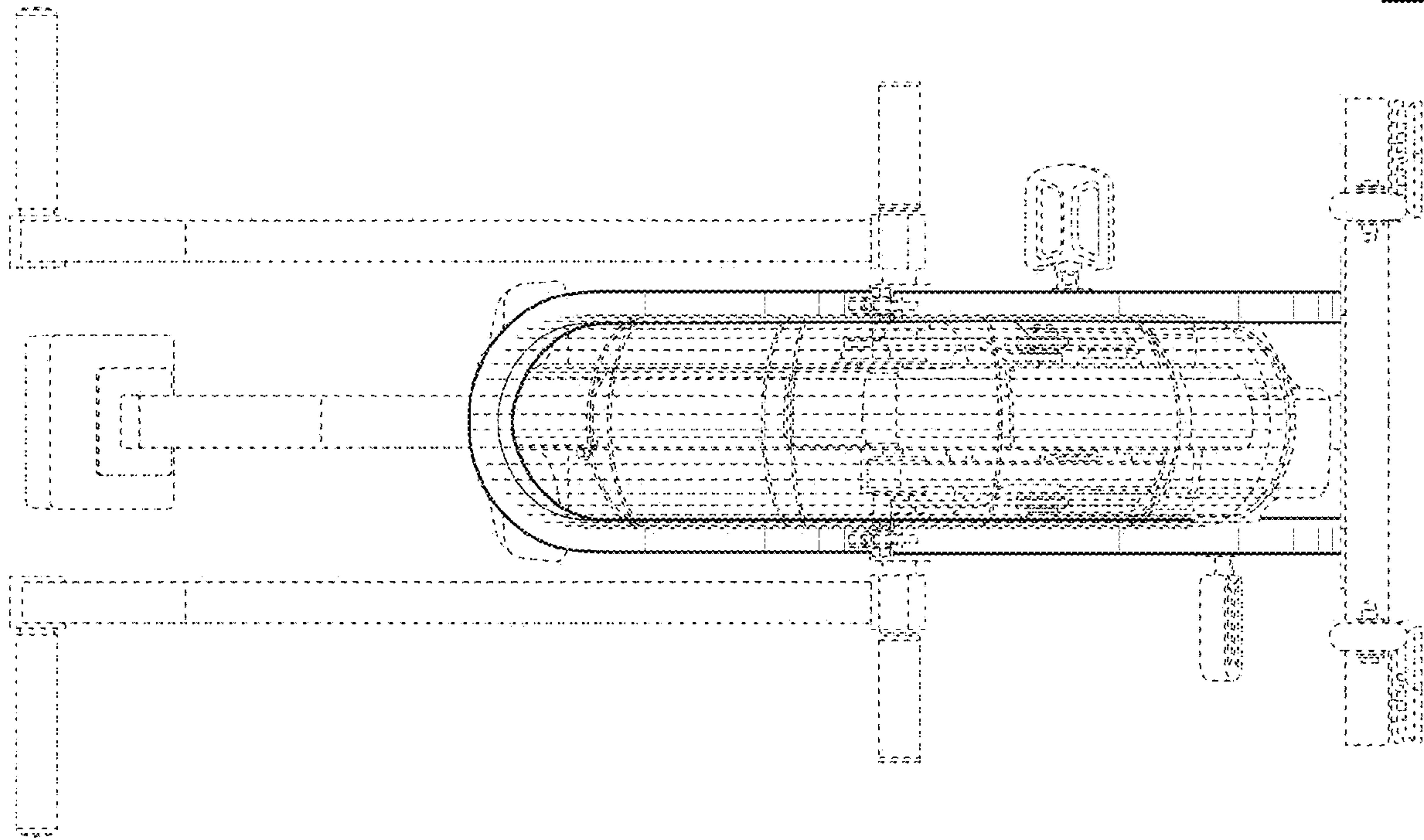


FIG. 4

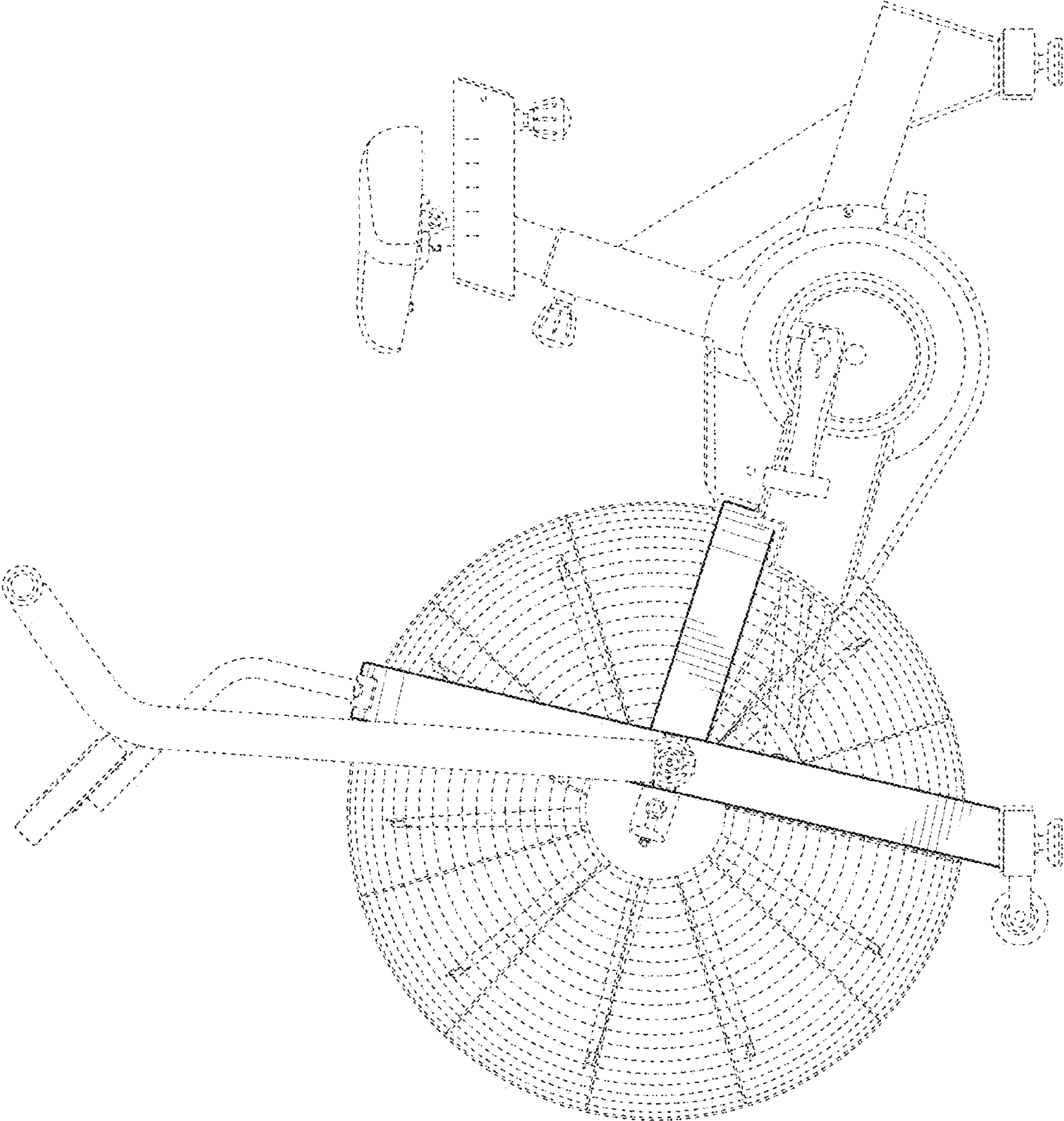


FIG. 5

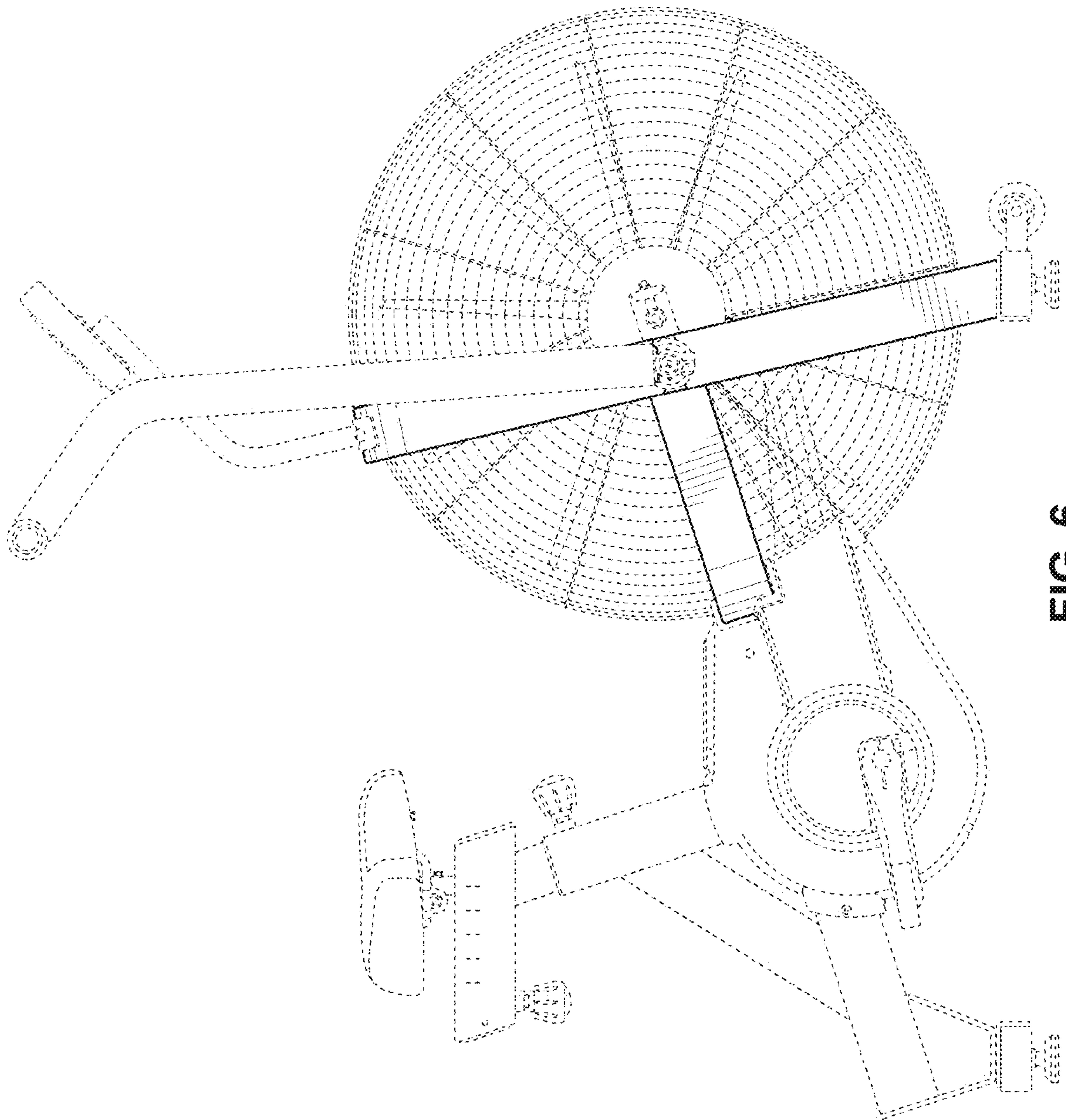


FIG. 6

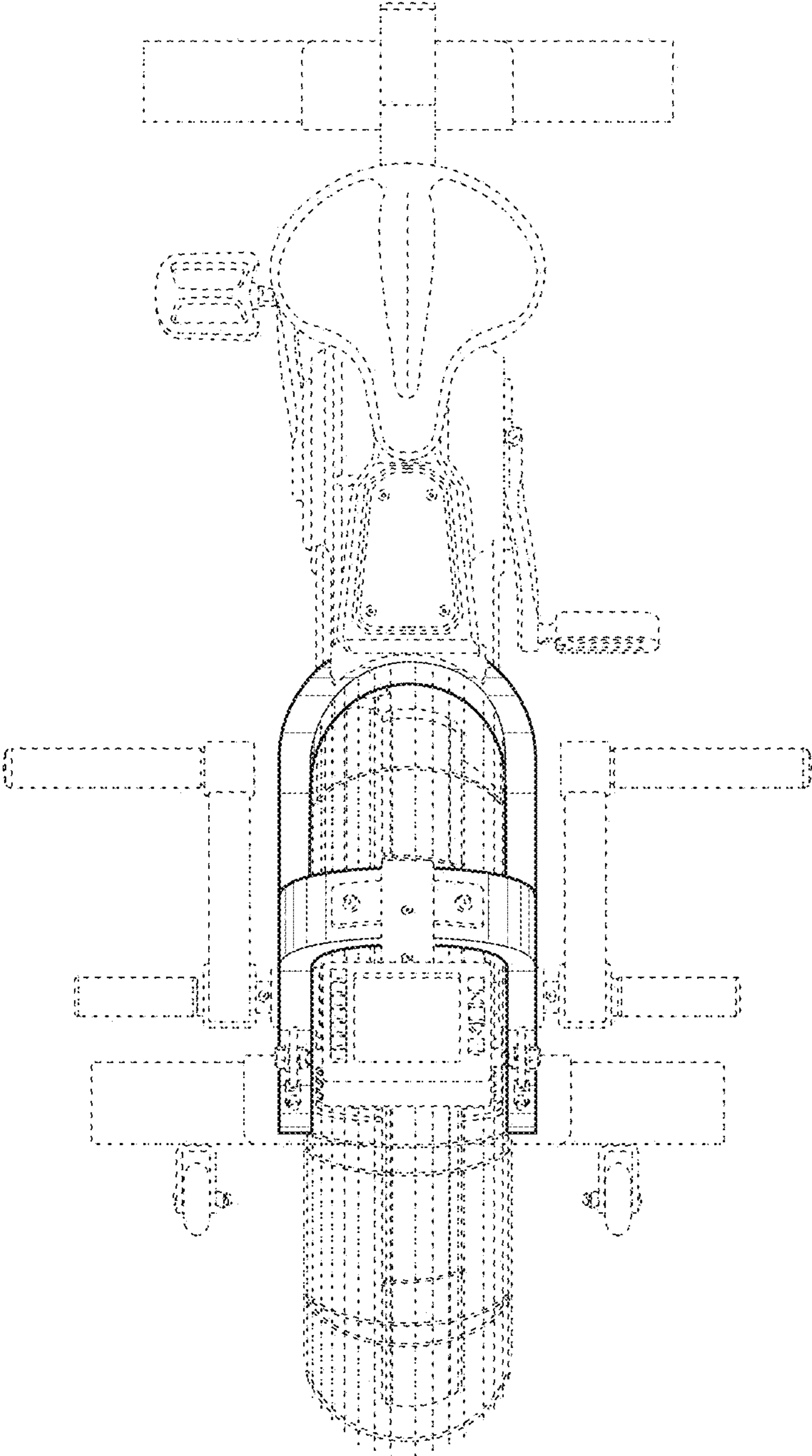


FIG. 7

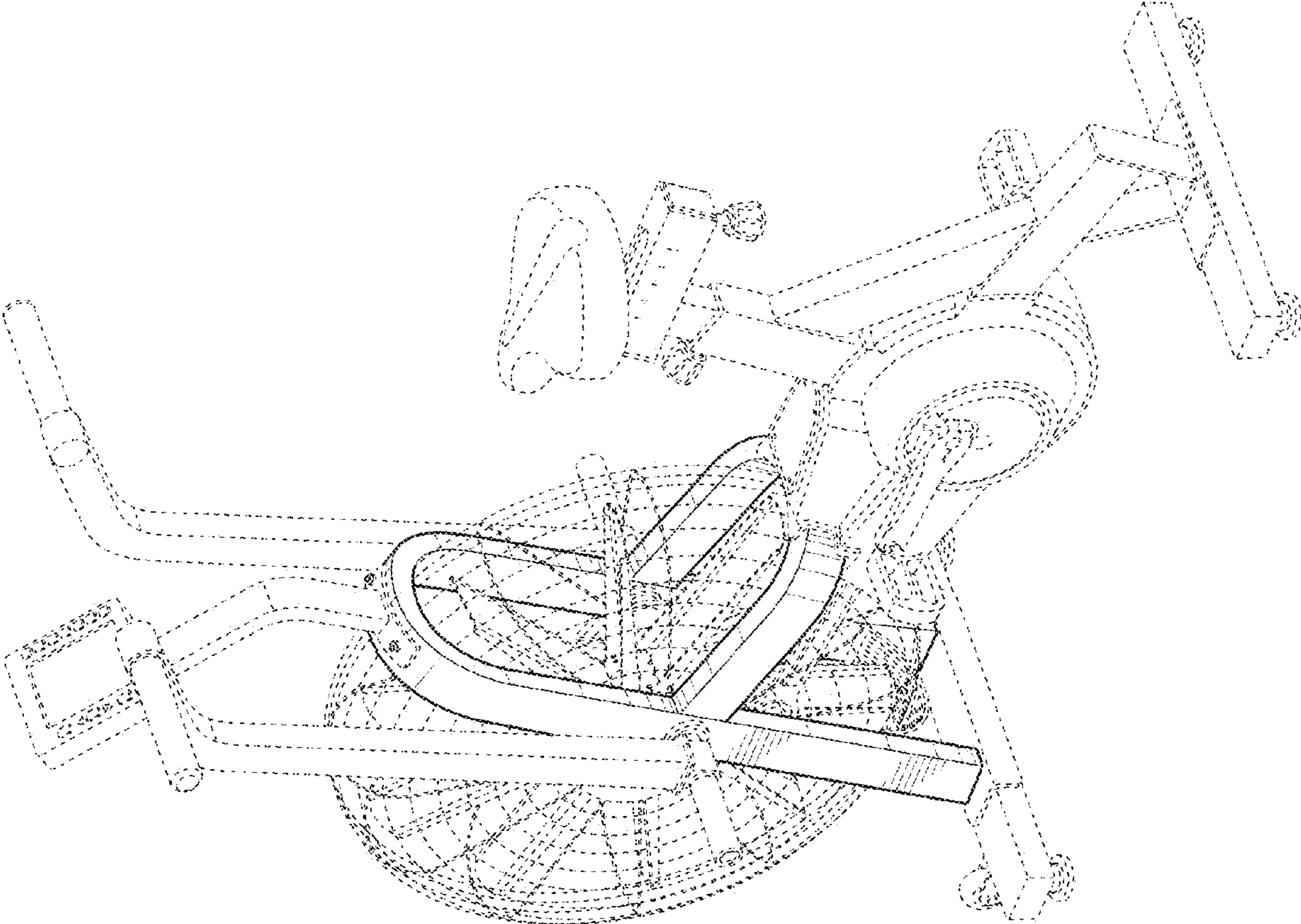


FIG. 8

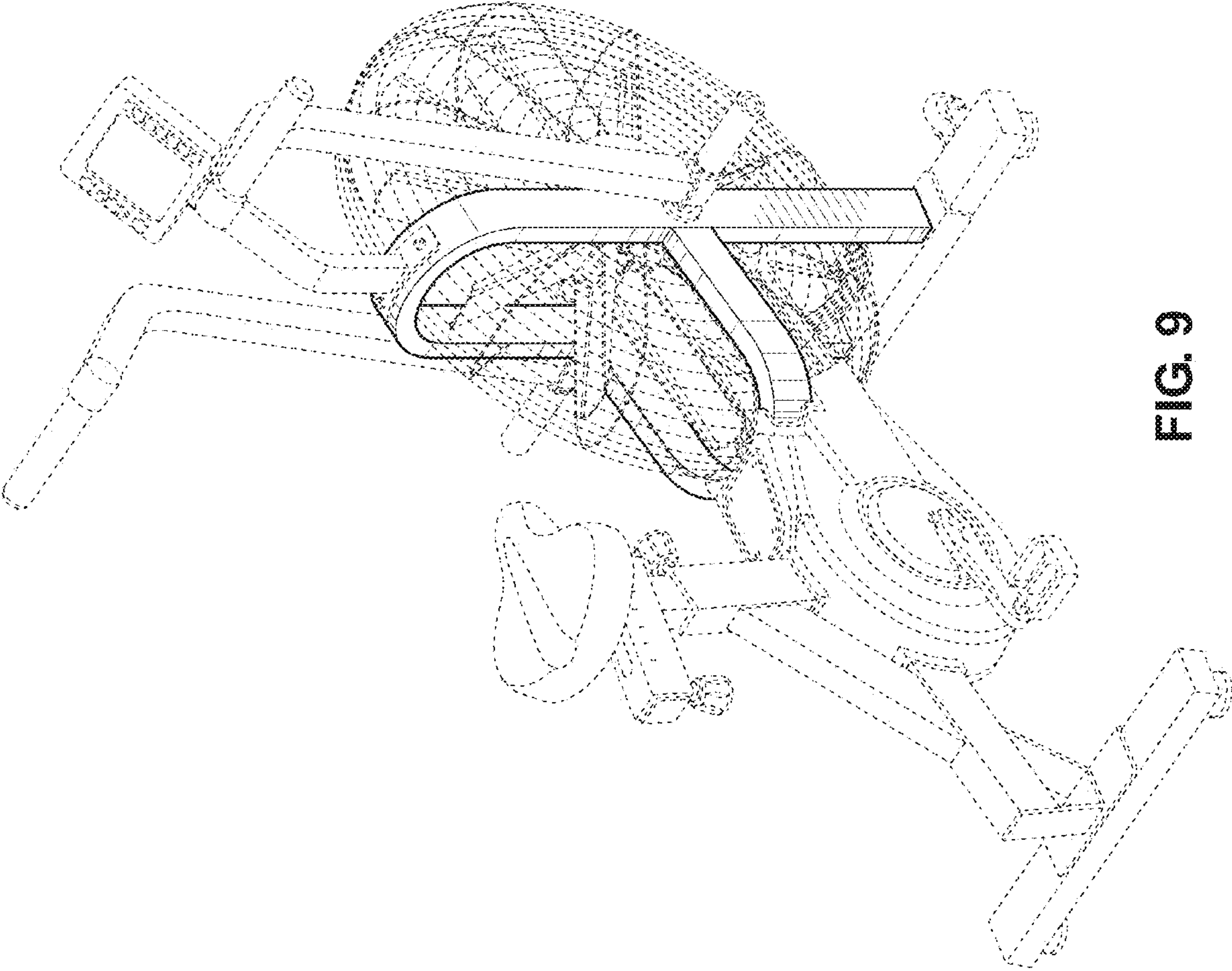


FIG. 9