

US00D942566S

(12) **United States Design Patent** (10) **Patent No.:** **US D942,566 S**
Pritchett et al. (45) **Date of Patent:** **** Feb. 1, 2022**

- (54) **WEIGHTLIFTING BENCH**
- (71) Applicant: **Coulter Ventures, LLC.**, Columbus, OH (US)
- (72) Inventors: **Martin Pritchett**, Hilliard, OH (US); **Ahmik Jones**, Upper Arlington, OH (US); **William Henniger**, Columbus, OH (US)
- (73) Assignee: **Coulter Ventures, LLC.**, Columbus, OH (US)
- (**) Term: **15 Years**
- (21) Appl. No.: **29/713,638**
- (22) Filed: **Nov. 18, 2019**
- (51) **LOC (13) Cl.** **21-02**
- (52) **U.S. Cl.**
USPC **D21/690**
- (58) **Field of Classification Search**
USPC D21/687, 690, 662; D6/334, 342, 349, D6/352, 353, 354, 373, 377, 652.2, 653, D6/653.1, 657, 659, 668, 668.2, 671.1, D6/675, 684, 705.1
CPC A47C 11/00; A47C 3/18; A47B 39/00
See application file for complete search history.

(56) **References Cited**

U.S. PATENT DOCUMENTS

D262,810	S	*	1/1982	Lynn	D21/676
D471,368	S	*	3/2003	Arnold	D6/349
6,645,130	B2		11/2003	Webber		
6,659,923	B2		12/2003	Teuscher		
7,294,097	B2		11/2007	Parker		
7,361,123	B1		4/2008	Krull		
7,695,418	B2		4/2010	Ish, III et al.		
9,192,799	B2		11/2015	Alenaddaf		
9,289,672	B2		3/2016	Francis		
9,597,539	B2		3/2017	Grider		
D820,362	S		6/2018	Citterio		

10,058,728	B2		8/2018	Kelly		
D829,013	S	*	9/2018	Velez	D6/349
2003/0230912	A1	*	12/2003	Arnold	A47C 5/04
						297/158.3
2009/0321597	A1		12/2009	Matsumoto		
2015/0321045	A1	*	11/2015	Garcia Lopez	A63B 21/4029
						482/142

(Continued)

OTHER PUBLICATIONS

Fitness bench, announced 2017 [online], [site visited Mar. 2, 2021]. Available on internet, URL:<https://www.amazon.com/Fitness-Bench-Weightlifting-Training-Capacity/dp/B073NTNX2X> (Year: 2017).*

(Continued)

Primary Examiner — Khawaja Anwar

Assistant Examiner — Julice Seung Eun Oum

(74) *Attorney, Agent, or Firm* — Banner & Witcoff, Ltd.

(57) **CLAIM**

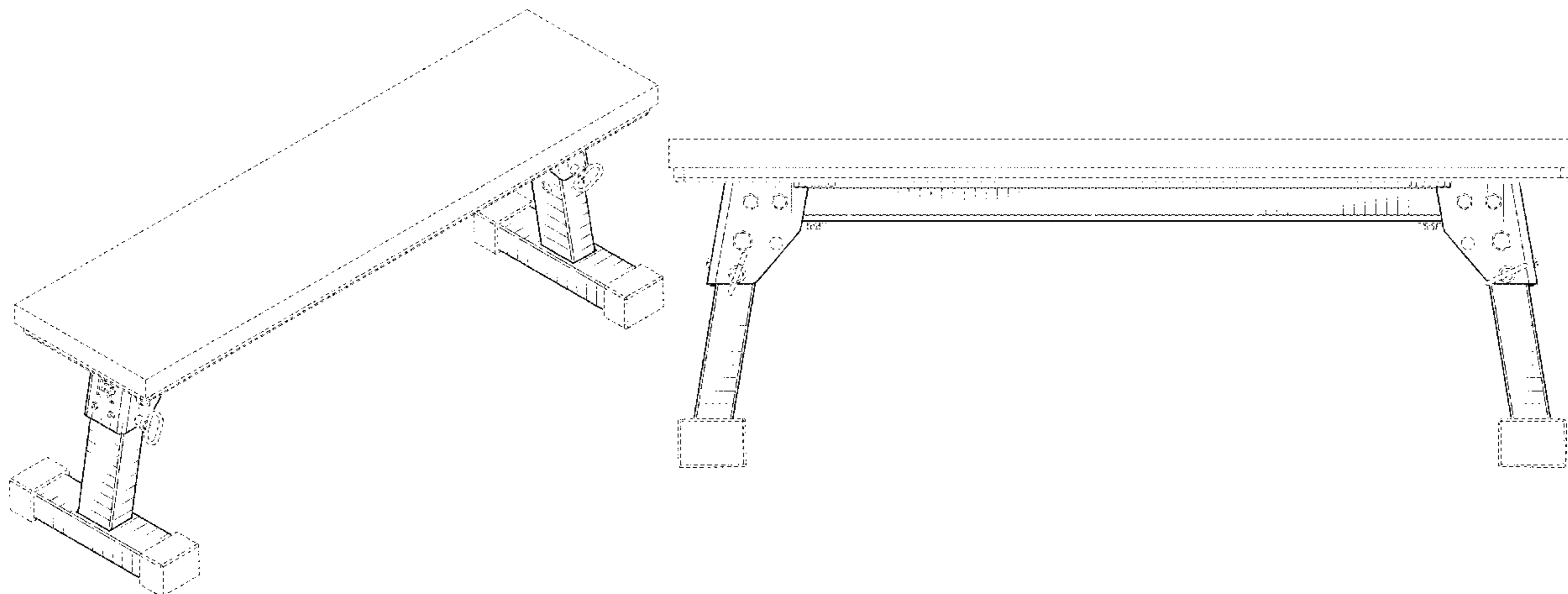
The ornamental design for a weightlifting bench, as shown and described.

DESCRIPTION

FIG. 1 is a top, front, left perspective view of a weightlifting bench showing our new design; FIG. 2 is a bottom, front, left perspective view thereof; FIG. 3 is a left side view thereof; FIG. 4 is a right side view thereof; FIG. 5 is a rear view thereof; FIG. 6 is a front view thereof; FIG. 7 is a top view thereof; and, FIG. 8 is a bottom view thereof.

The broken lines immediately adjacent to the shaded areas define the bounds of the claimed design and form no part thereof. The broken lines depicting the remainder of the weightlifting bench show features that form no part of the claimed design.

1 Claim, 7 Drawing Sheets



(56)

References Cited

U.S. PATENT DOCUMENTS

2015/0328494	A1	11/2015	Matthews	
2016/0114204	A1	4/2016	Swanson	
2017/0216656	A1	8/2017	Leipheimer	
2018/0296874	A1	10/2018	Vorozilchak et al.	
2018/0339185	A1	11/2018	Miller	
2018/0369633	A1	12/2018	Baker et al.	
2019/0125074	A1*	5/2019	Cheng	H02J 50/12
2019/0151699	A1	5/2019	Isom	
2019/0298055	A1*	10/2019	Yamamoto	A47B 9/20
2020/0214439	A1*	7/2020	Bennett	A47B 9/20
2020/0229588	A1*	7/2020	Chen	A47B 9/12
2020/0329861	A1*	10/2020	Zhang	A47B 9/00
2020/0337453	A1*	10/2020	Wang	A47B 21/04
2020/0352320	A1*	11/2020	Jacobs	A47B 21/02
2021/0030146	A1*	2/2021	Riebner	A47B 9/00

OTHER PUBLICATIONS

Marcy training, announced 2013 [online], [site visited Mar. 2, 2021]. Available on internet, URL: <https://www.amazon.com/Marcy->

Capacity-Training-Exercises-SB-315/dp/B00G44X9D6/ref=sr_1_7?dchild=1&keywords=weight+lifting+bench&qid=1614695337&sr=8-7 (Year: 2013).*

Bng tong li flat bench, announced 2018 [online], [site visited Mar. 2, 2021]. Available on internet, URL: https://www.amazon.com/BangTong-Li-Flat-Weight-Bench/dp/B07HF3772K/ref=sr_1_61?dchild=1&keywords=weight+lifting+bench&qid=1614696898&sr=8-61 (Year: 2018).*

Cap bench, announced 2018 [online], [site visited Mar. 2, 2021]. Available on internet, URL: https://www.amazon.com/CAP-Barbell-Black-Utility-Weight/dp/B07G7VVNWS/ref=sr_1_217?dchild=1&keywords=weight+lifting+bench&qid=1614697378&sr=8-217 (Year: 2018).*

Product listing for Rogue Flat Utility Bench 2.0, From: http://web.archive.org/web/20140101000000*/https://www.roguefitness.com/rogue-flat-utility-bench, dated Jun. 13, 2014, accessed Jun. 21, 2021.

Product listing for Rogue AB-3 Adjustable Bench, From: http://web.archive.org/web/20160301000000*/https://www.roguefitness.com/rogue-ab-3-adjustable-bench, dated May 28, 2016, accessed Jun. 21, 2021.

* cited by examiner

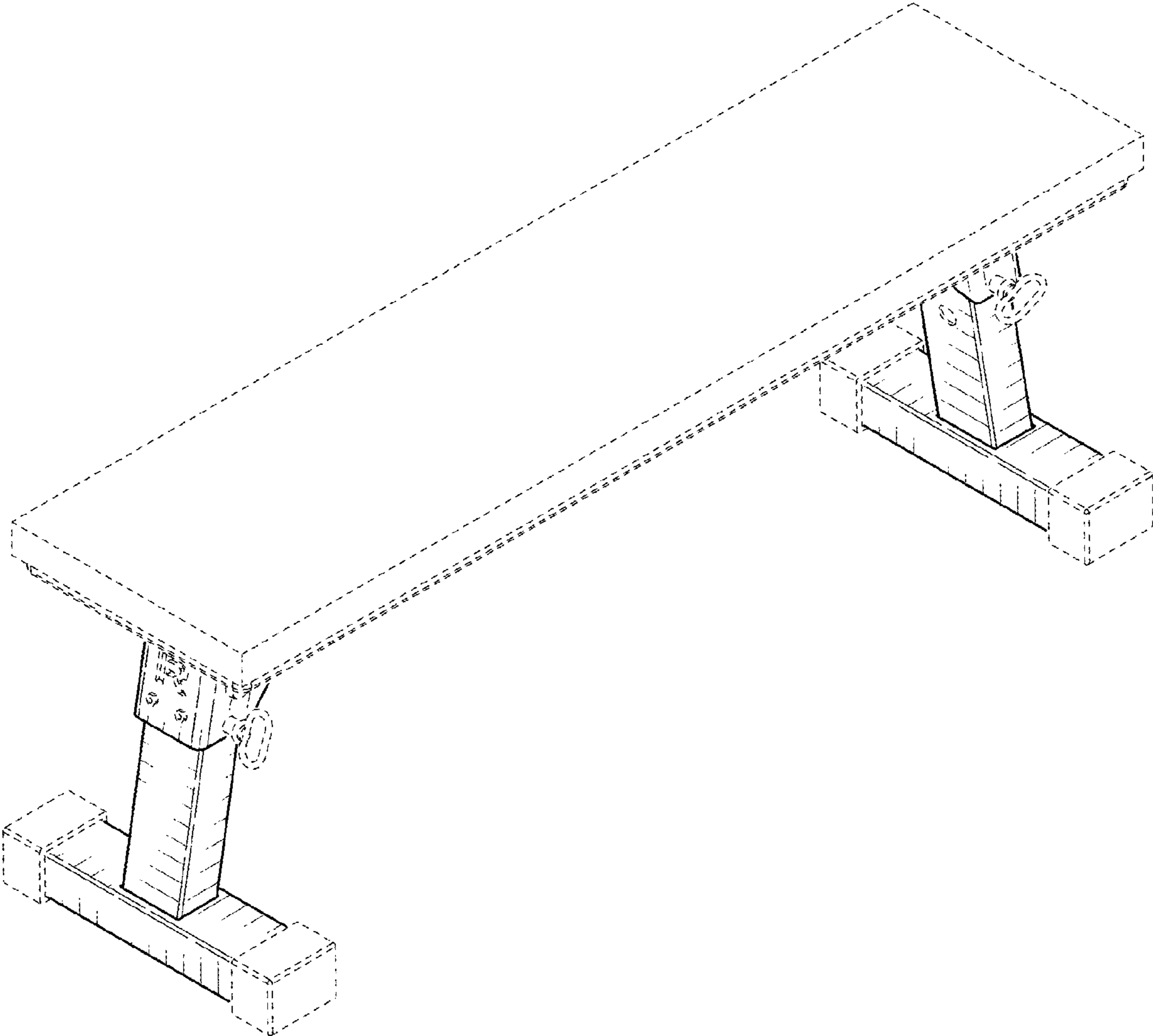


FIG. 1

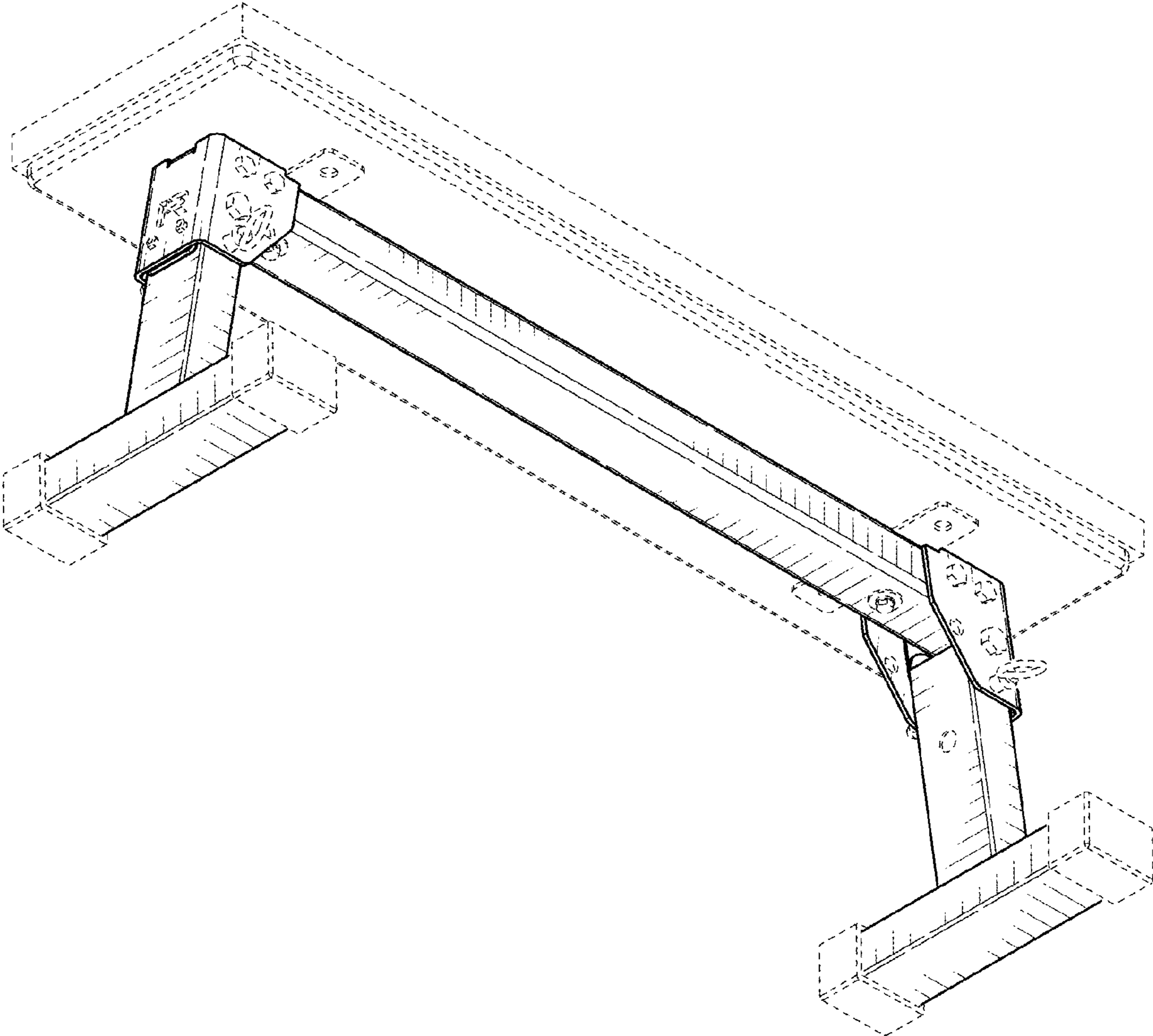


FIG. 2

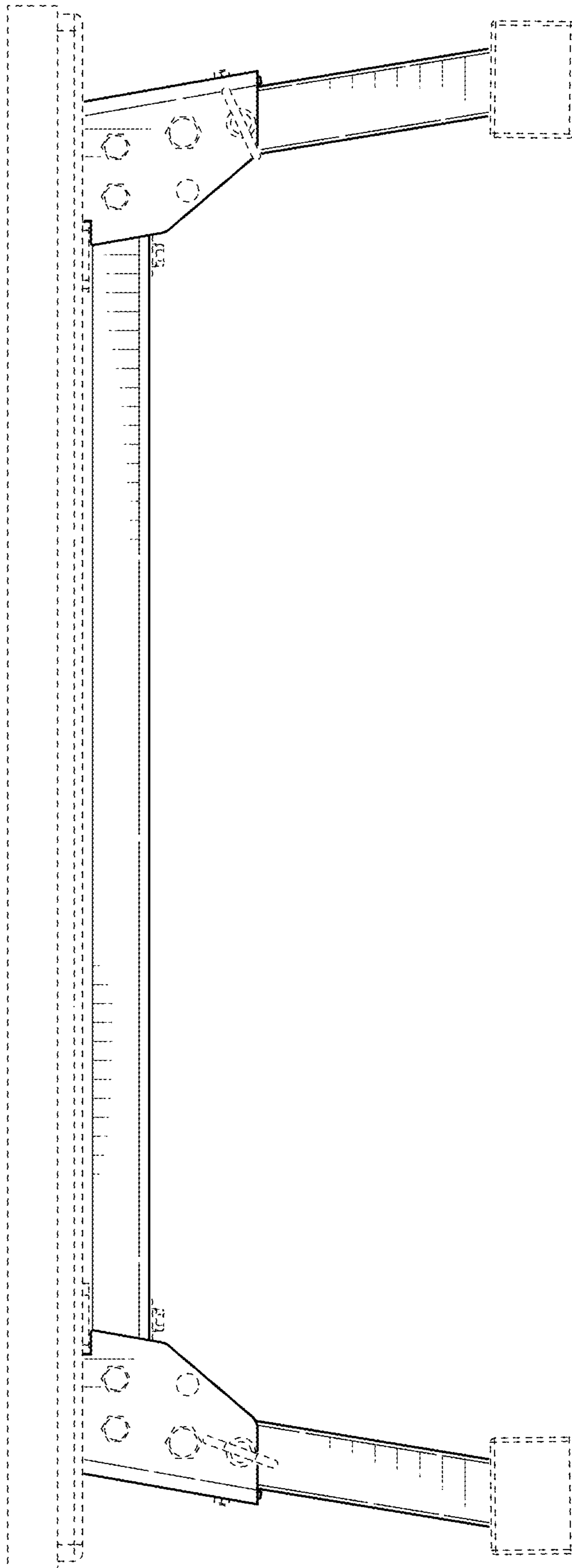


FIG. 3

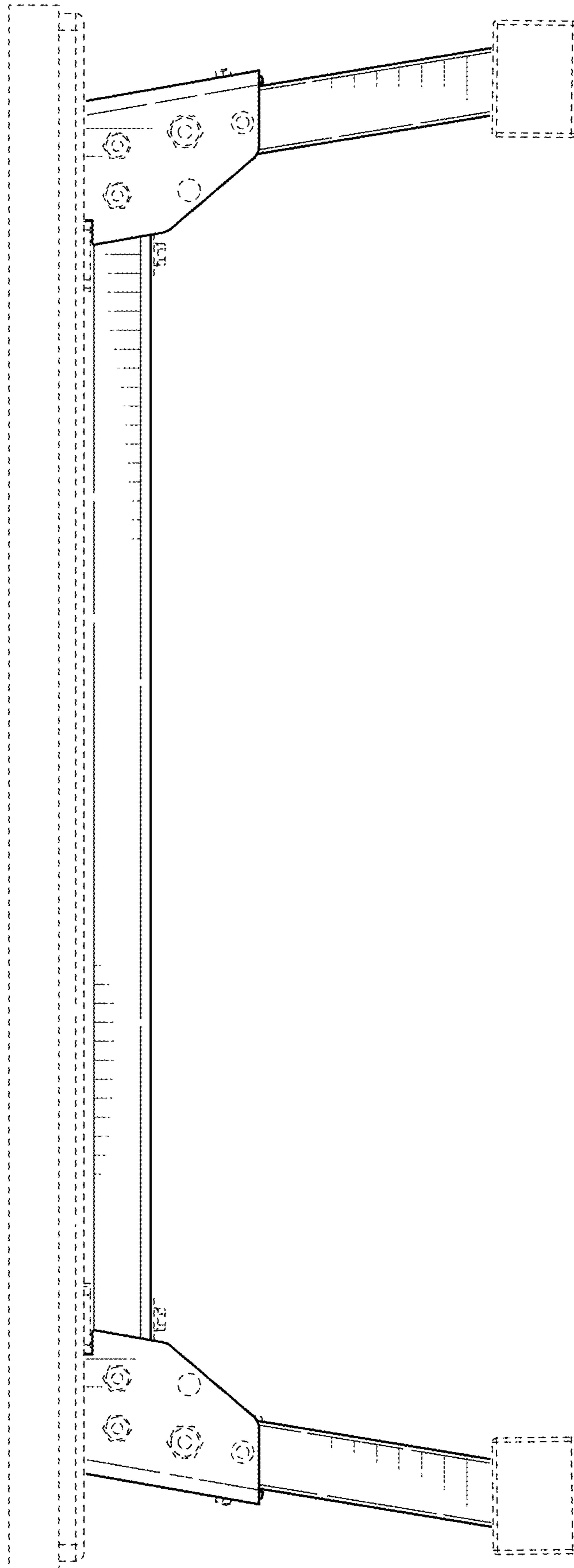


FIG. 4

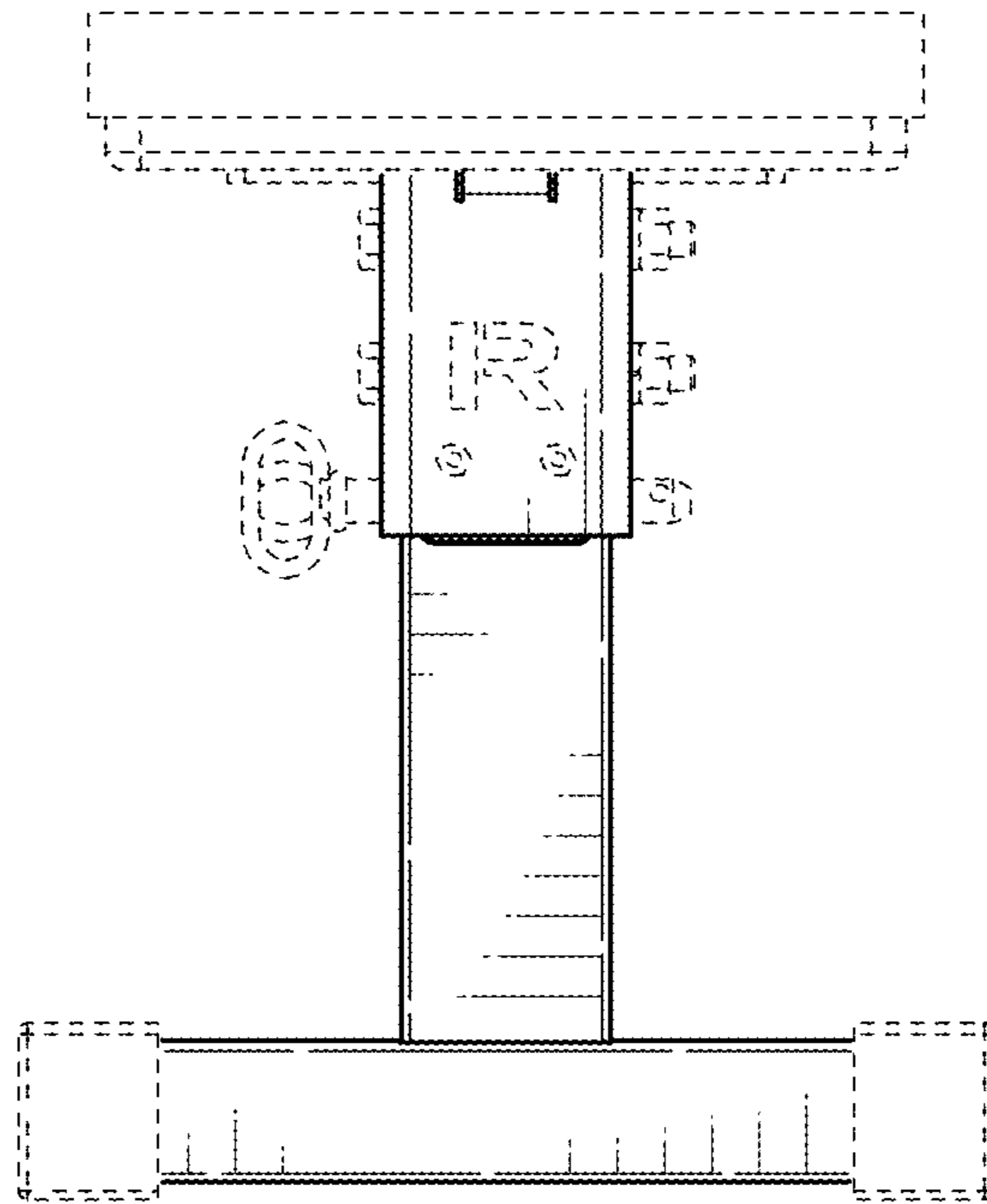


FIG. 5

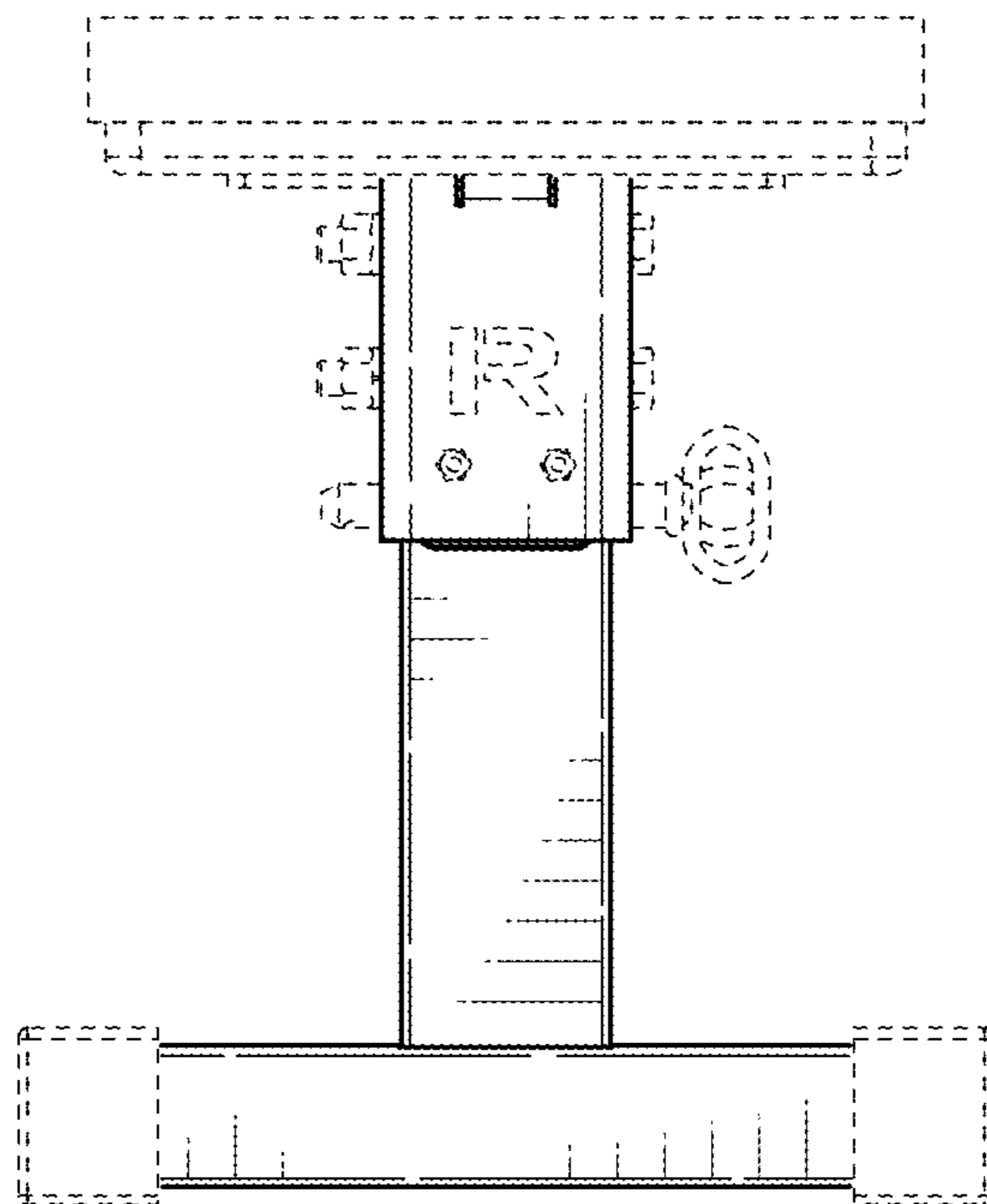


FIG. 6

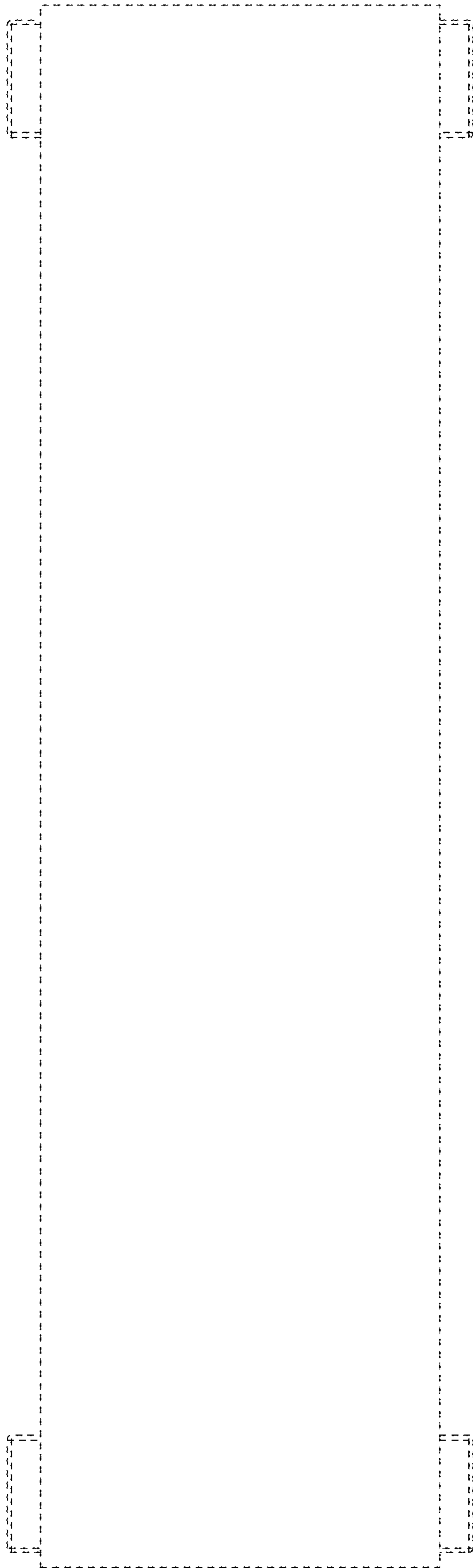


FIG. 7

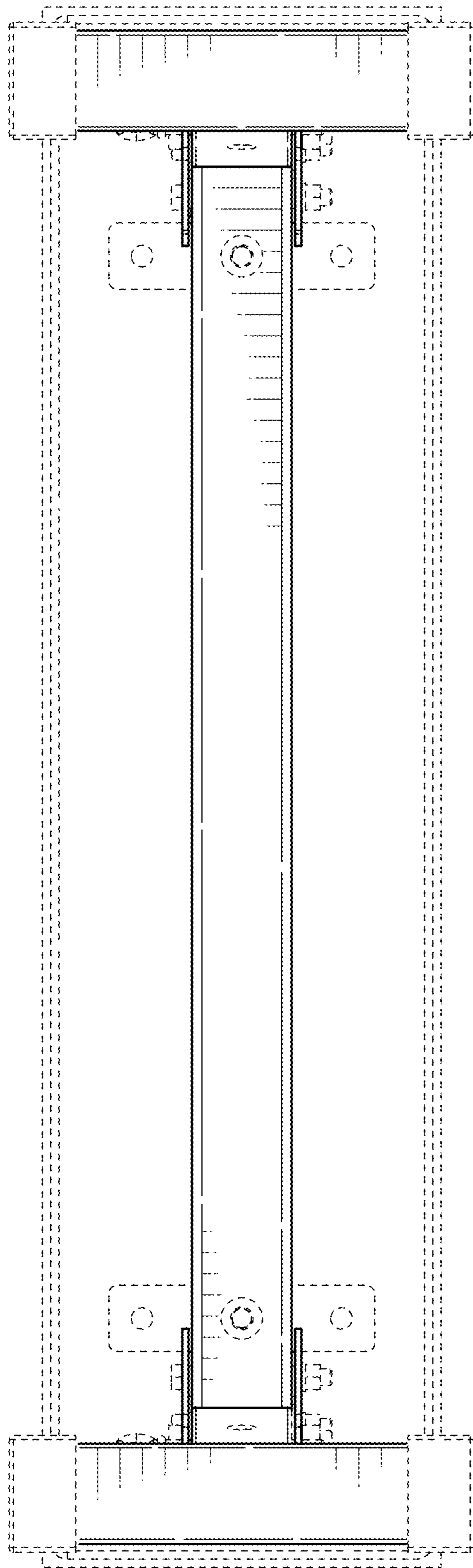


FIG. 8