

US00D942562S

(12) **United States Design Patent** (10) **Patent No.:** **US D942,562 S**
Zhao (45) **Date of Patent:** **** Feb. 1, 2022**

(54) **TRAINING STATION**

(71) Applicant: **ZHEJIANG TONGCANG INDUSTRIAL TRADING LIMITED COMPANY**, Yongkang (CN)

(72) Inventor: **Liyong Zhao**, Xinzhou (CN)

(73) Assignee: **ZHEJIANG TONGCANG INDUSTRIAL TRADING LIMITED COMPANY**, Yongkang (CN)

(**) Term: **15 Years**

(21) Appl. No.: **29/739,274**

(22) Filed: **Jun. 24, 2020**

(51) **LOC (13) Cl.** **21-02**

(52) **U.S. Cl.**
USPC **D21/686**

(58) **Field of Classification Search**
USPC D21/690, 691, 694, 686, 662, 665, 676, D21/679, 687, 692, 682, 673, 798, 826, D21/681, 680, 688, 663, 674; D25/62, D25/66, 68, 119, 126, 136, 134, 133, 144, D25/156, 159, 148, 109
See application file for complete search history.

(56) **References Cited**

U.S. PATENT DOCUMENTS

D320,823	S	*	10/1991	Tanner	D21/686
D578,582	S	*	10/2008	Gomez	D21/686
D812,156	S	*	3/2018	Stoyanov Kichev	D21/675
D850,543	S	*	6/2019	Lau	D21/686
10,751,565	B2	*	8/2020	Saadallah	A63B 23/1236
D895,743	S	*	9/2020	Lau	D21/691
2013/0274075	A1	*	10/2013	Habing	A63B 21/078 482/102
2015/0352395	A1	*	12/2015	Gregory	A63B 23/03558 482/123
2020/0353308	A1	*	11/2020	Kim	A63B 69/0062
2020/0398104	A1	*	12/2020	Rogers	A63B 21/068

OTHER PUBLICATIONS

BalanceFrom, announced 2020[online], [site visited Sep. 16, 2021]. Available on internet, URL:https://www.amazon.com/BalanceFrom-Push-up-Pull-up-Strength-Training/dp/B084X14QZY/ref=sr_1_84?dchild=1&keywords=power+tower&qid=1631824080&sr=8-84 (Year: 2020).*

X-factor, announced 2019[online], [site visited Sep. 16, 2021]. Available on internet, URL:https://www.amazon.com/X-Factor-Function-Adjustable-Strength-Equipment/dp/B07Y5MGJTN/ref=sr_1_97_sspa?dchild=1&keywords=power+tower&qid=1631824249&sr=8-97-spons&psc=1&spLa=ZW5jcnlwdGVkUXVhbGlmaWVyPUFWVDFFSzlhUkFKWUkmZW5jcnlwdGVkSWQ9QTA1ODgzNjZaSk45OVZYQIVKUCZlbnNyeXB0ZWRBZEikPUEwMjQyNjDU2M1NSRlc3QUVFNldHSyZ3aWRnZXROYW1IPXNwX2F0Zl9uZXh0JmFjdGlvbj1jbGlja1JIZGIyZWNoJmRvTm90TG9nQ2xpY2s9dHJ1ZQ== (Year: 2019).*

* cited by examiner

Primary Examiner — Khawaja Anwar
Assistant Examiner — Julice Seung Eun Oum

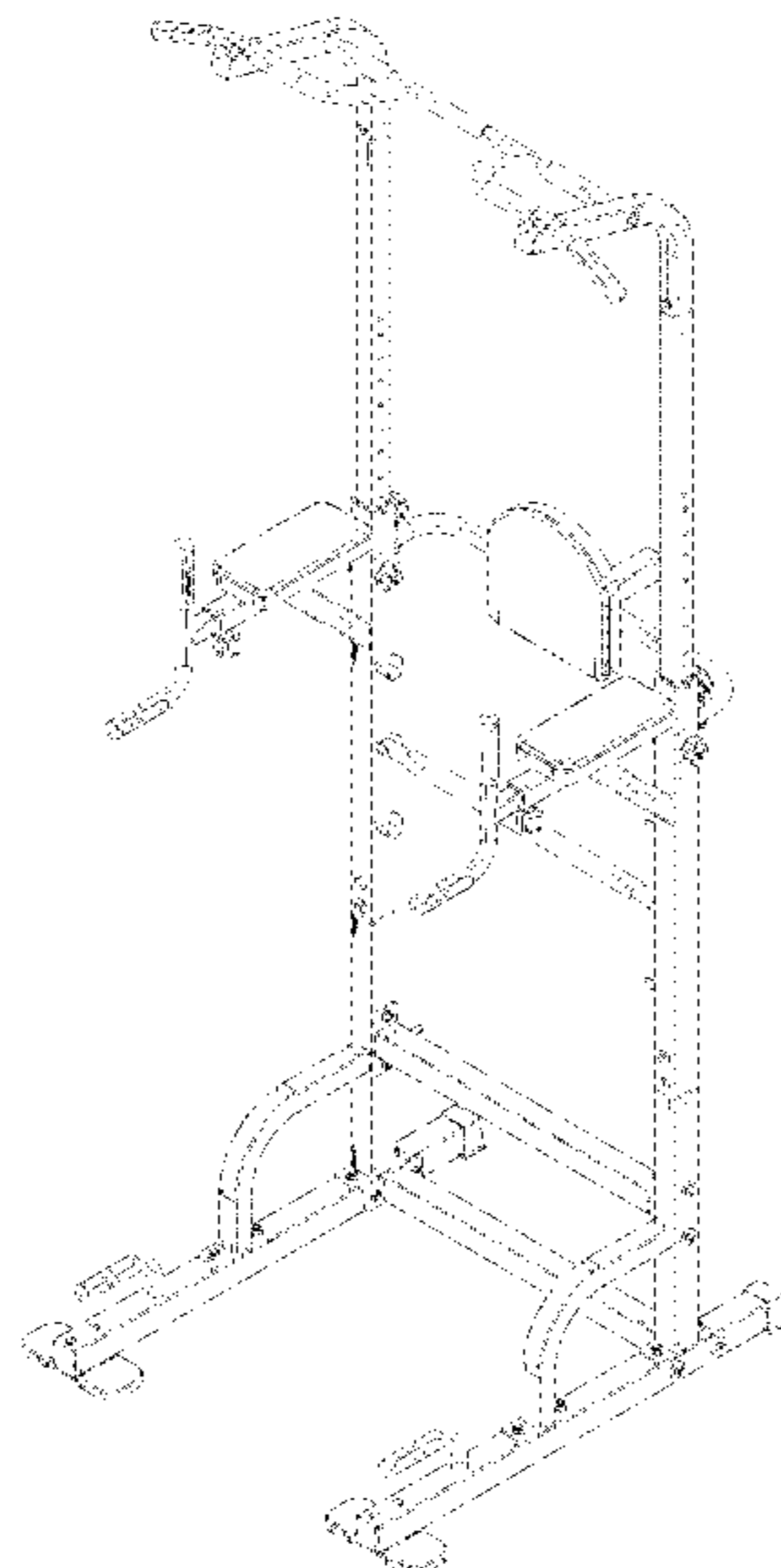
(57) **CLAIM**

The ornamental design for a training station, as shown and described.

DESCRIPTION

FIG. 1 is a perspective view of the training station showing my new design;
FIG. 2 is another perspective view thereof;
FIG. 3 is a front elevational view thereof;
FIG. 4 is a rear elevational view thereof;
FIG. 5 is a left side elevational view thereof;
FIG. 6 is a right side elevational view thereof;
FIG. 7 is a top plan view thereof; and,
FIG. 8 is a bottom plan view thereof.

1 Claim, 8 Drawing Sheets



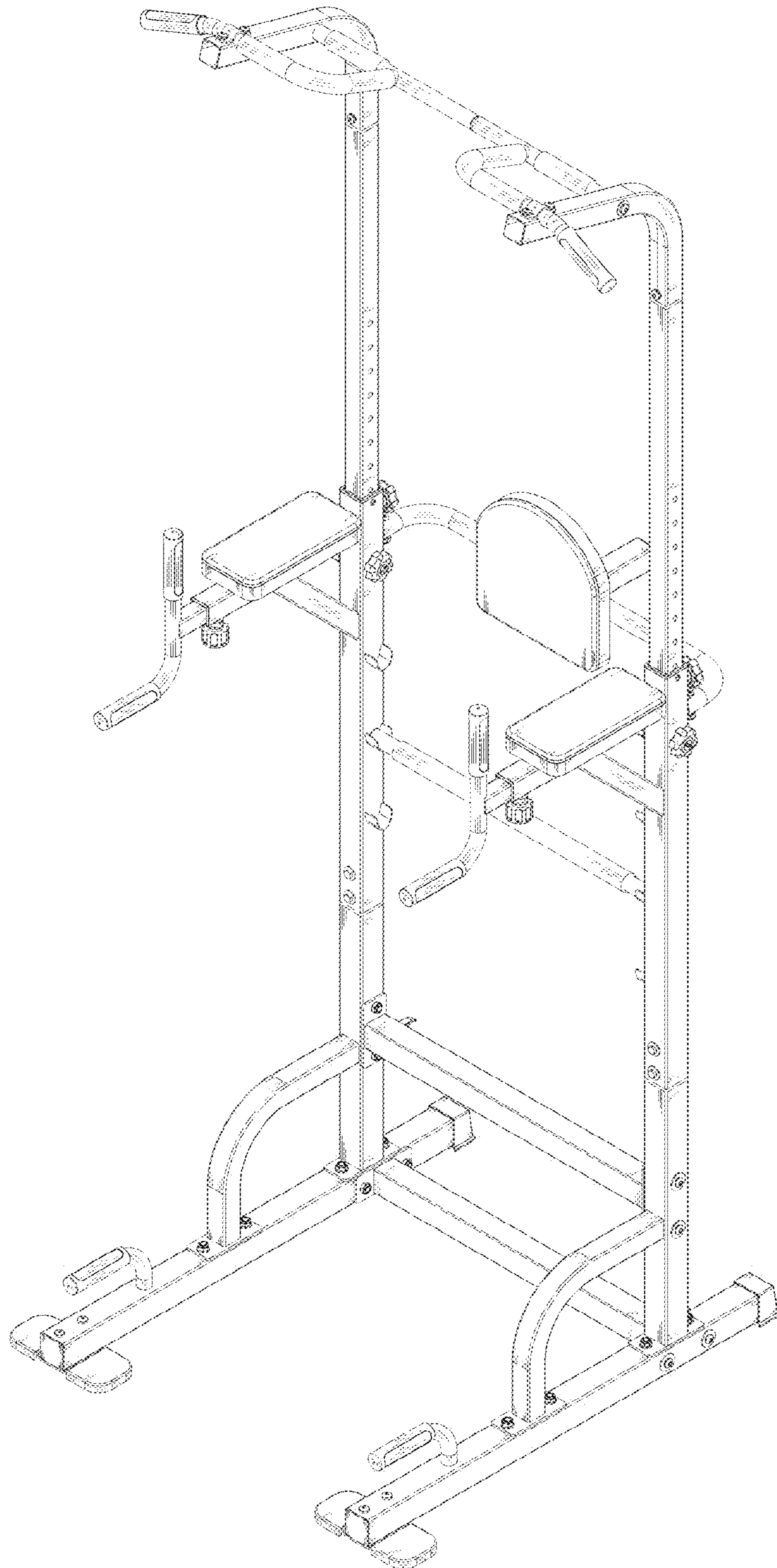


FIG 1

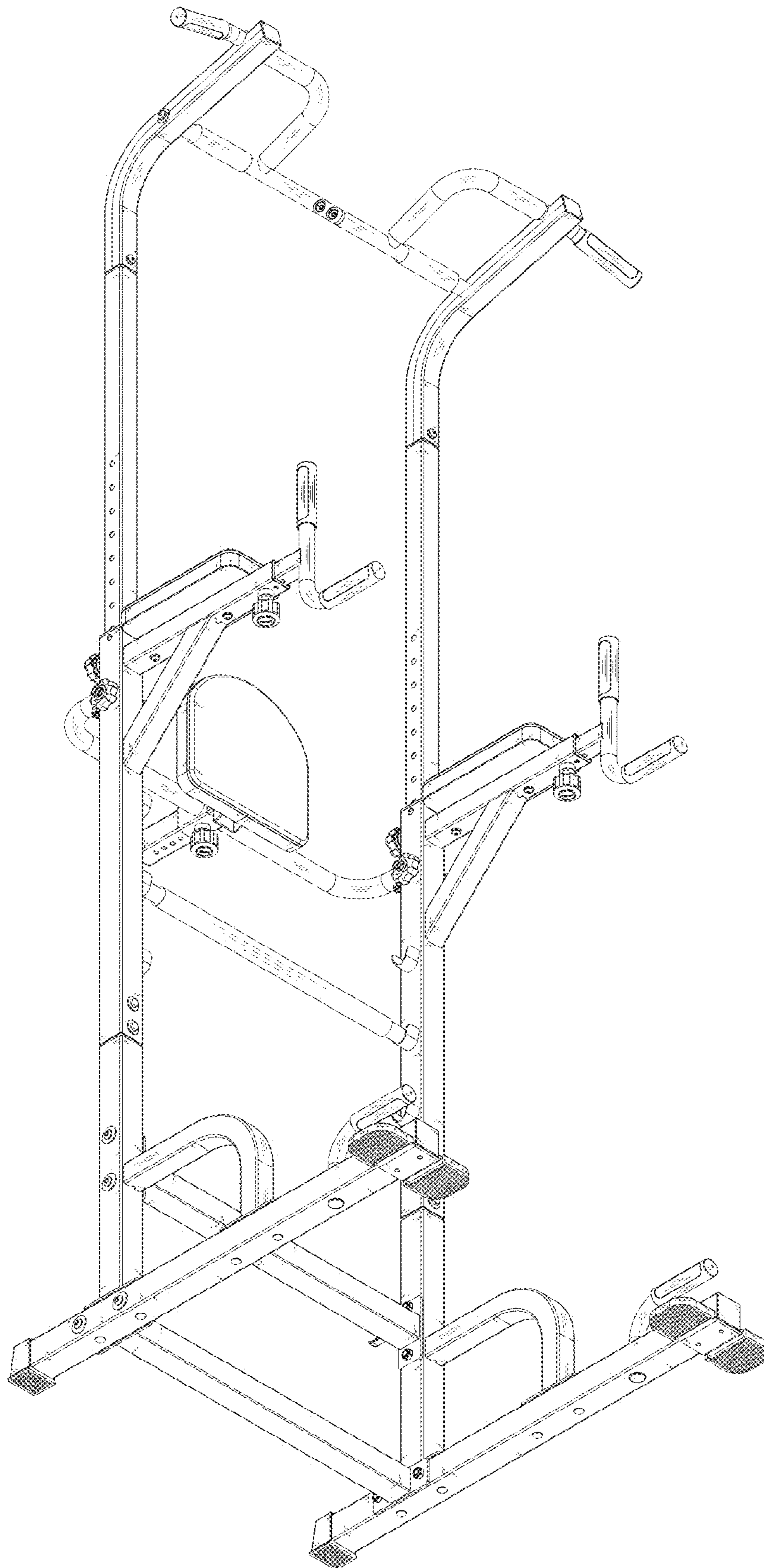


FIG. 2

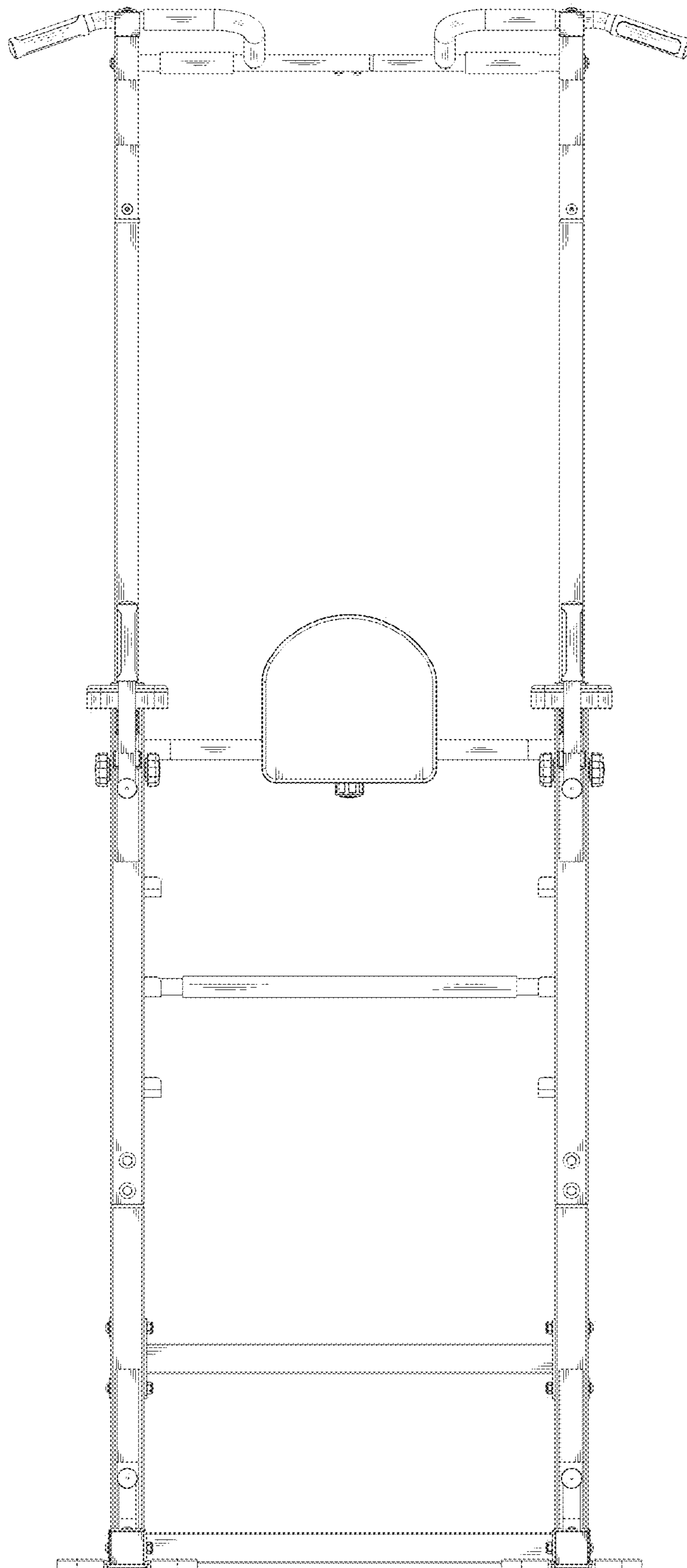


FIG. 3

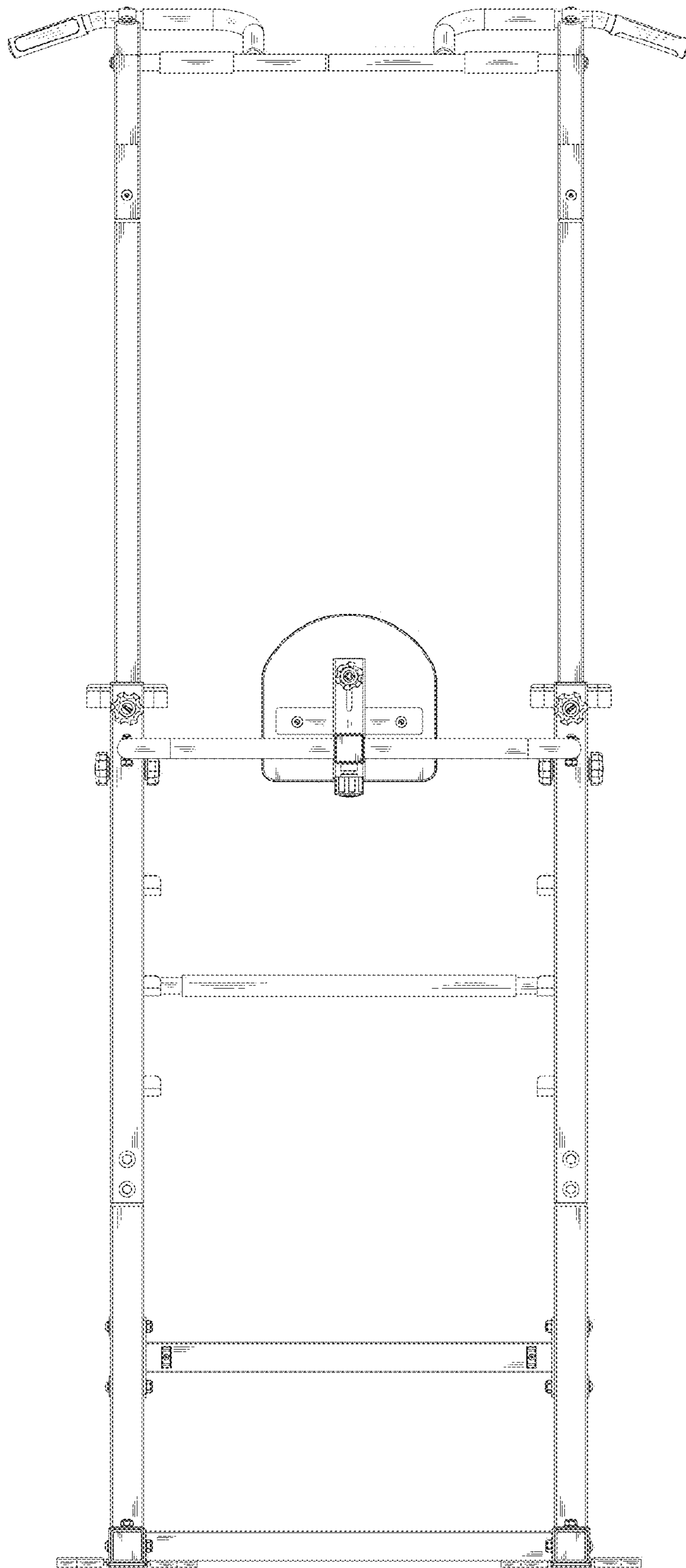


FIG. 4

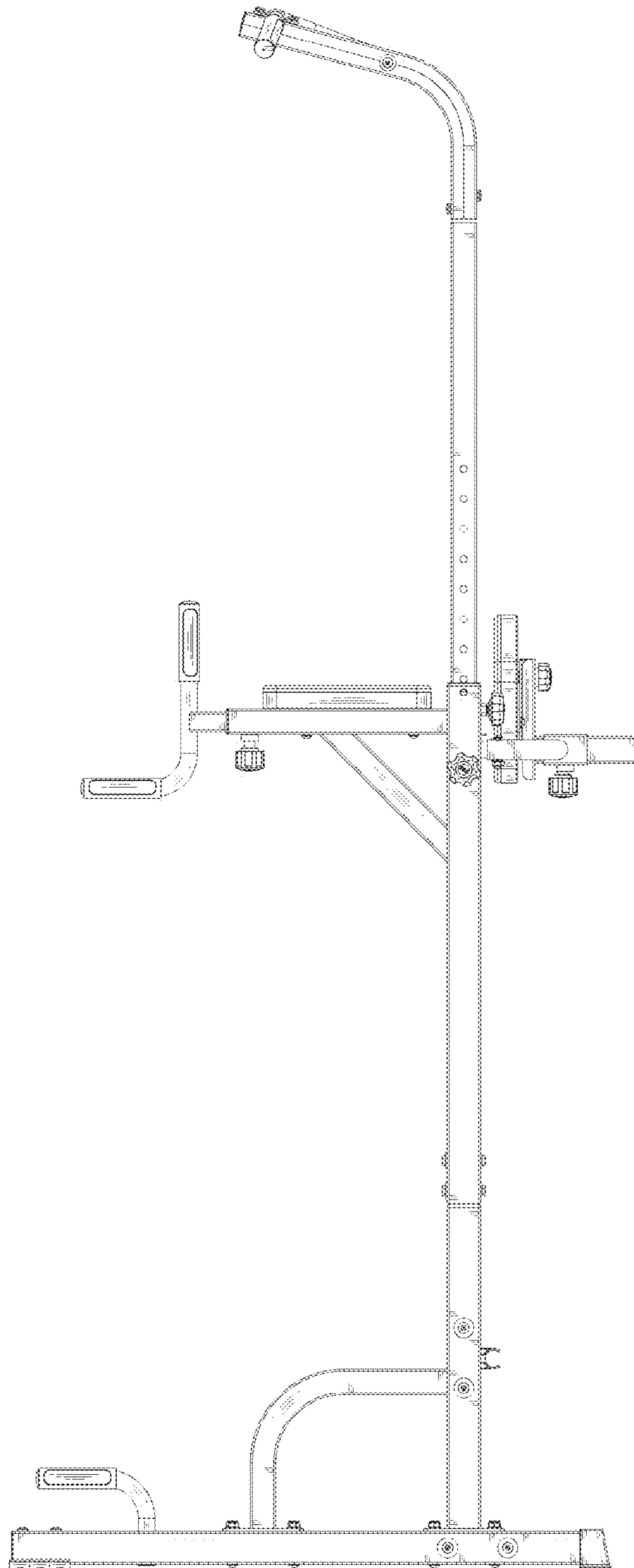


FIG. 5

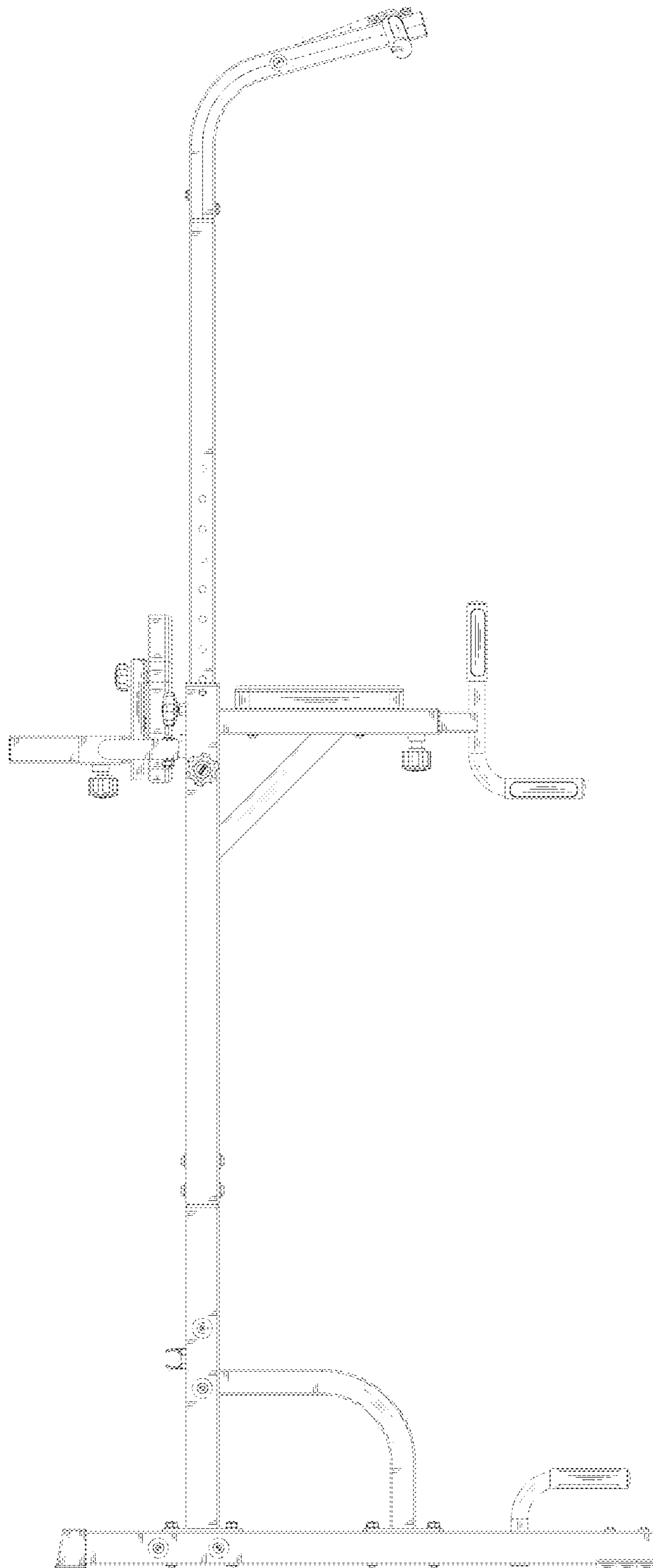


FIG. 6

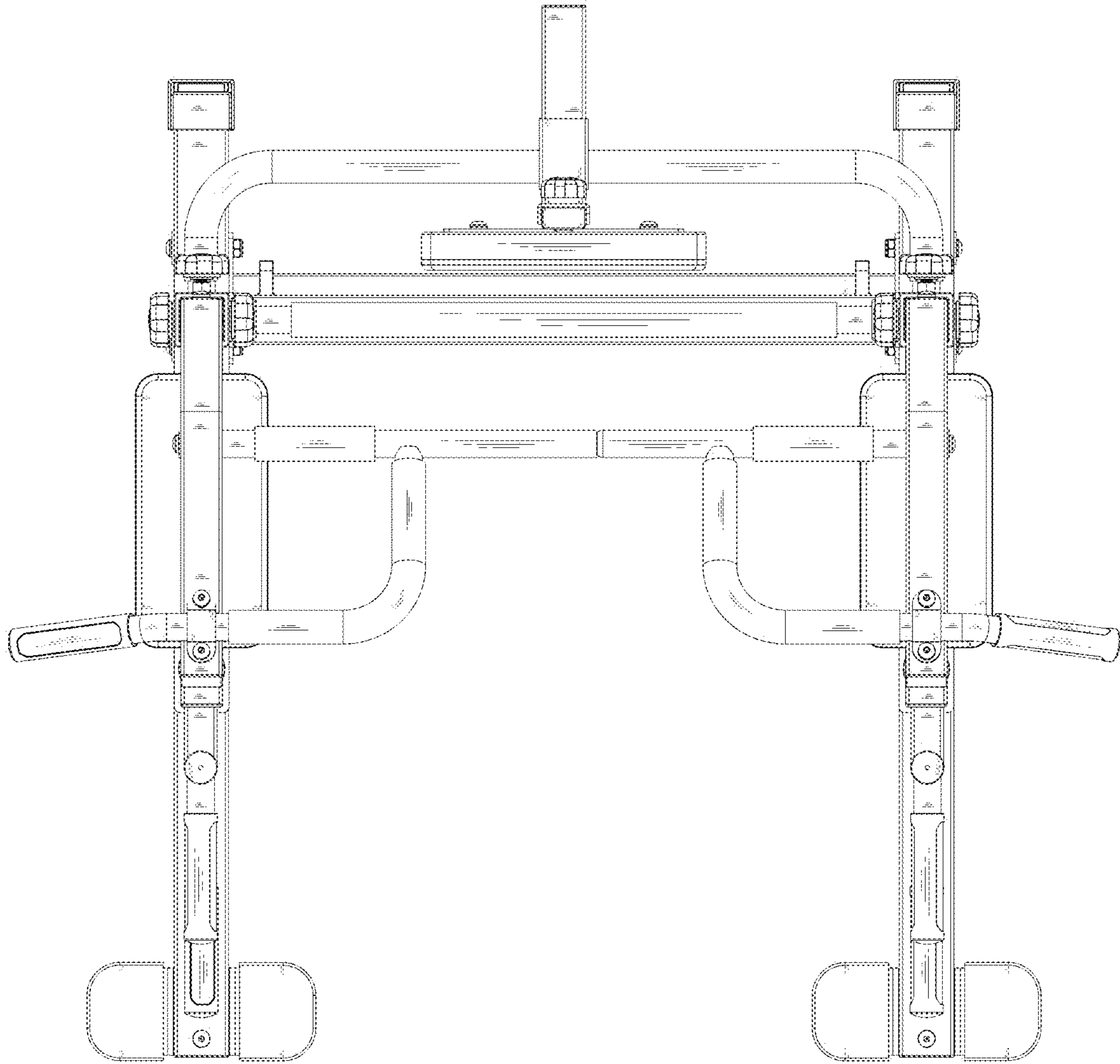


FIG. 7

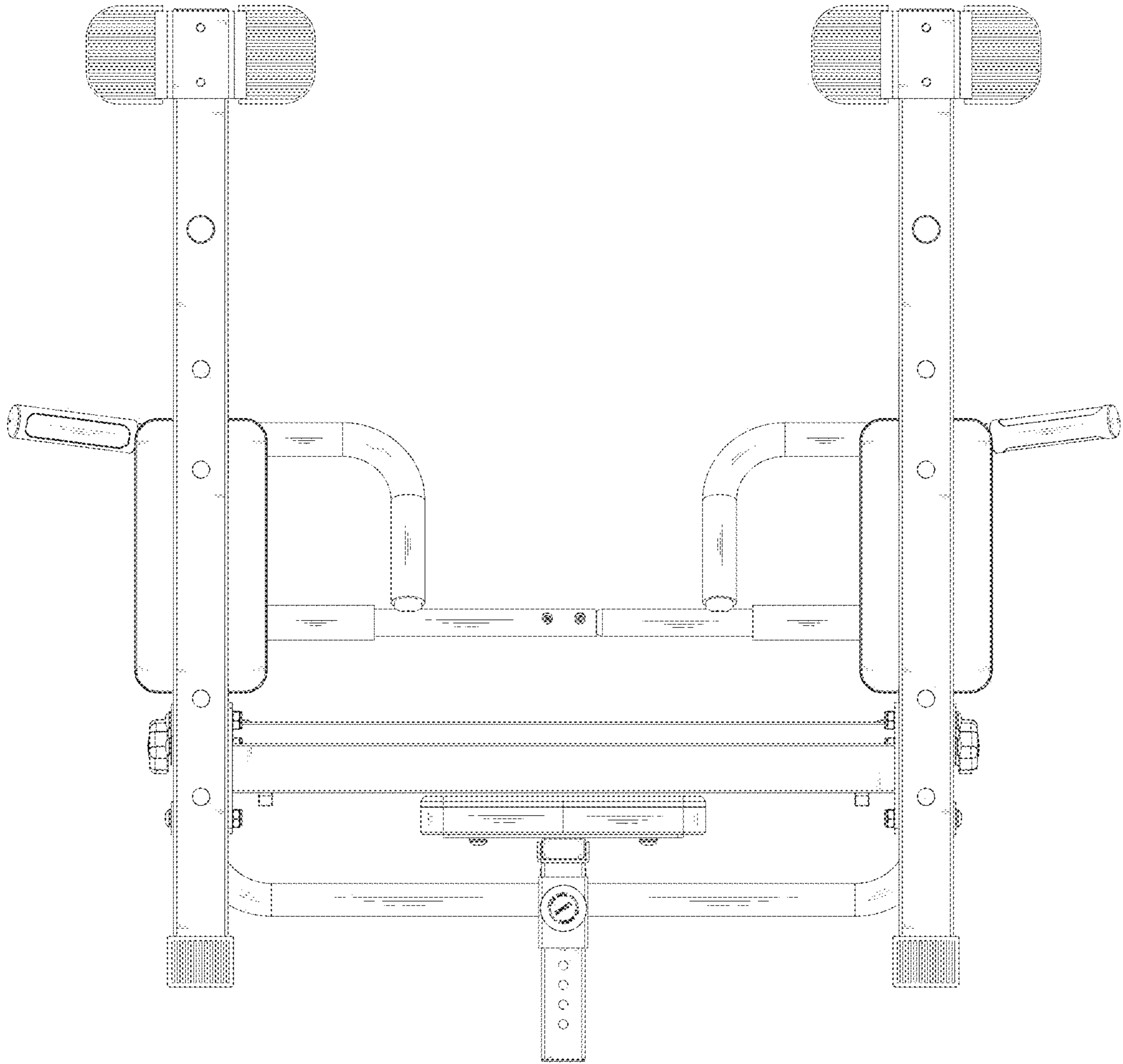


FIG. 8