



US00D942559S

(12) **United States Design Patent**
Wang

(10) **Patent No.:** **US D942,559 S**
(45) **Date of Patent:** **** Feb. 1, 2022**

(54) **KETTLEBELL**
(71) Applicant: **Zhejiang Feier Intelligent Technology Co., Ltd., Zhejiang (CN)**
(72) Inventor: **Longfei Wang, Zhejiang (CN)**
(73) Assignee: **Zhejiang Feier Intelligent Technology Co., Ltd., Zhejiang (CN)**

(**) Term: **15 Years**

(21) Appl. No.: **29/768,608**

(22) Filed: **Jan. 29, 2021**

(51) **LOC (13) Cl.** **21-02**

(52) **U.S. Cl.**
USPC **D21/680**

(58) **Field of Classification Search**
USPC D21/662, 681, 682, 686, 694, 680, 684,
D21/679, 457, 488
See application file for complete search history.

(56) **References Cited**

U.S. PATENT DOCUMENTS

D522,594 S *	6/2006	Donahue	D21/682
D652,877 S *	1/2012	Dalebout	D21/682
D653,716 S *	2/2012	Lin	D21/682
D664,613 S *	7/2012	Dalebout	D21/682
D726,843 S	4/2015	Barton		
D827,735 S	9/2018	Ross		
D888,848 S *	6/2020	Owusu	D21/680
D896,900 S *	9/2020	Wang	D21/680
D918,318 S *	5/2021	Liu	D21/682
2008/0081744 A1 *	4/2008	Gormley	A63B 21/072 482/93
2010/0120589 A1 *	5/2010	Krull	A63B 21/075 482/93

2010/0248910 A1 *	9/2010	DiLuglio	A63B 21/072 482/93
2012/0231936 A1 *	9/2012	Krull	A63B 21/072 482/93
2019/0240526 A1 *	8/2019	Owusu	A63B 21/4035

OTHER PUBLICATIONS

Apex, announced 2017[online], [site visited Dec. 8, 2021]. Available on internet, URL:https://www.amazon.com/Apex-Adjustable-Heavy-Duty-Weightlifting-APKB-5009/dp/B074N5392C/ref (Year: 2017).*

(Continued)

Primary Examiner — Khawaja Anwar
Assistant Examiner — Julice Seung Eun Oum
(74) *Attorney, Agent, or Firm* — ScienBiziP, P.C.

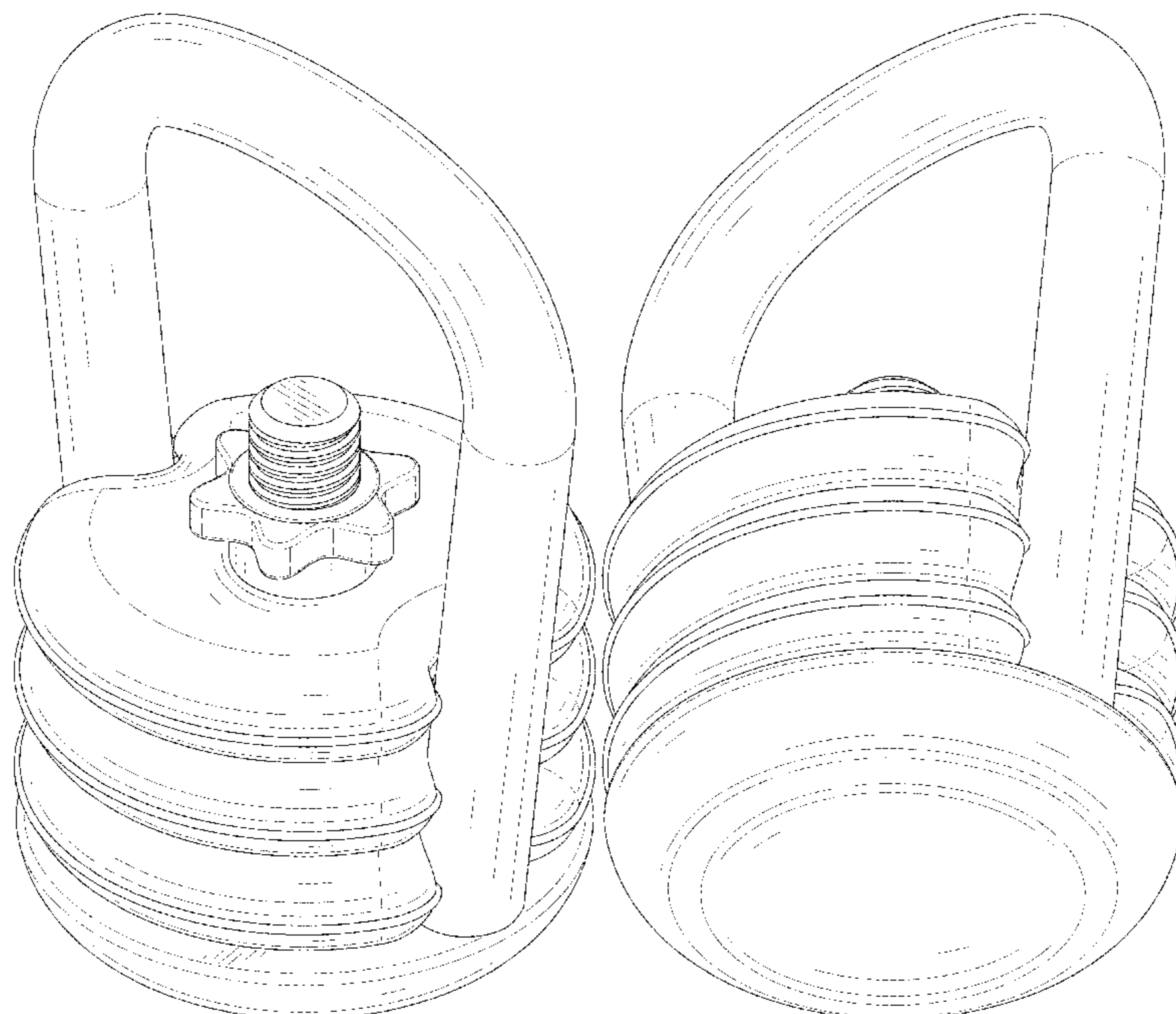
(57) **CLAIM**

The ornamental design for a kettlebell, as shown and described.

DESCRIPTION

FIG. 1 is a front, right, and top perspective view of a kettlebell, showing my design.
FIG. 2 is a rear, left, and bottom perspective view thereof.
FIG. 3 is a front elevation view thereof.
FIG. 4 is a rear elevation view thereof.
FIG. 5 is a left side elevation view thereof.
FIG. 6 is a right side elevation view thereof.
FIG. 7 is a top plan view thereof.
FIG. 8 is a bottom plan view thereof; and,
FIG. 9 is a perspective view of the kettlebell showing a status when the kettlebell is inset into a shell.
The broken lines shown in the drawings are included for the purpose of illustrating environment that form no part of the claimed design.

1 Claim, 9 Drawing Sheets



(56)

References Cited

OTHER PUBLICATIONS

Bowflex, announced 2019[online], [site visited Dec. 8, 2021]. Available on internet, URL:<https://www.amazon.com/Bowflex-100790-840-SelectTech-Kettlebell/dp/B07X64MXBS/ref>(Year: 2019).*

Ollieroo, announced 2020[online], [site visited Dec. 8, 2021]. Available on internet, URL:<https://www.amazon.com/Ollieroo-Adjustable-Kettlebell-Dumbbell-Kettlebell/dp/B08MZVG5LY/ref>(Year: 2020).*

* cited by examiner

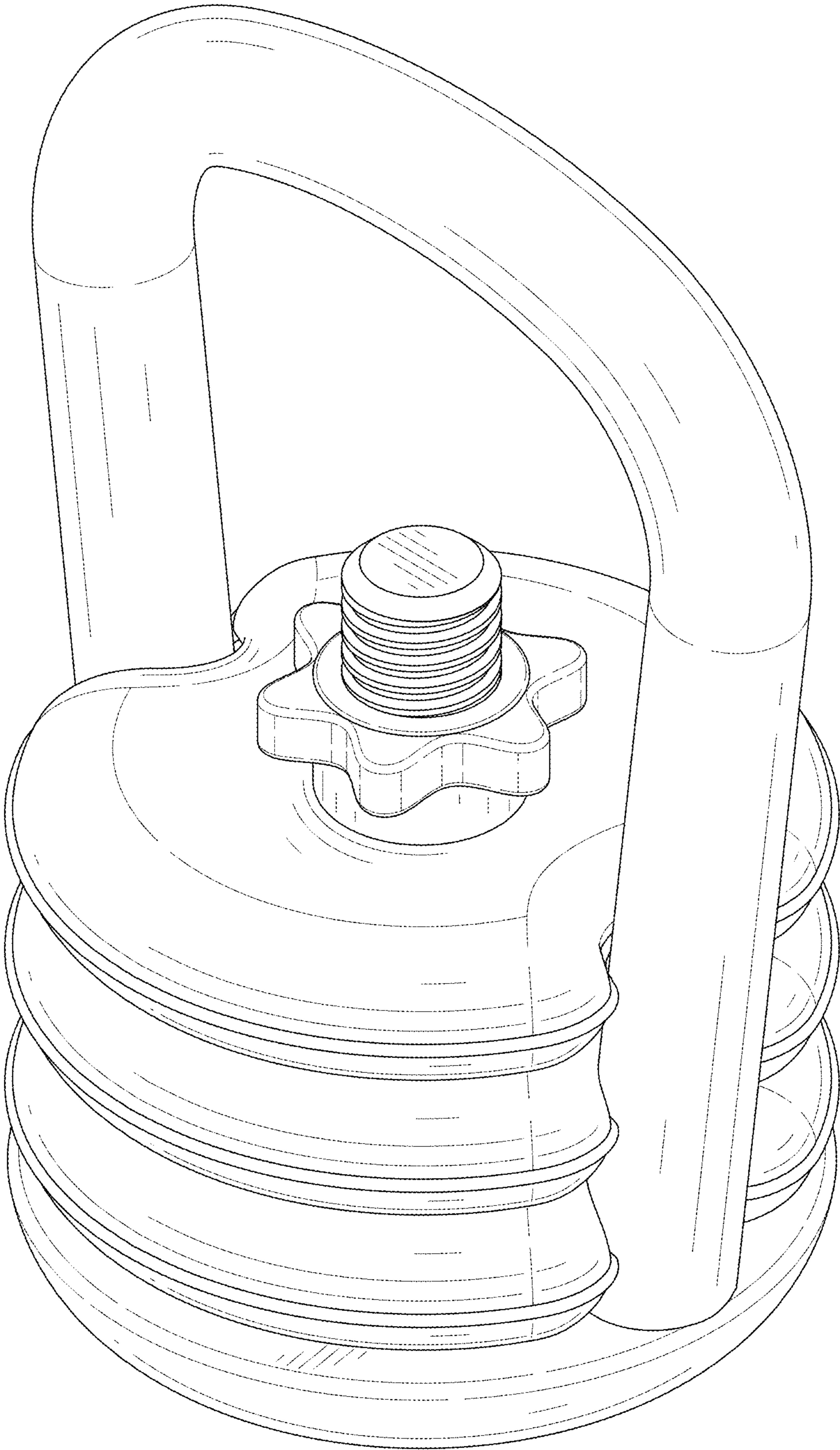


FIG. 1

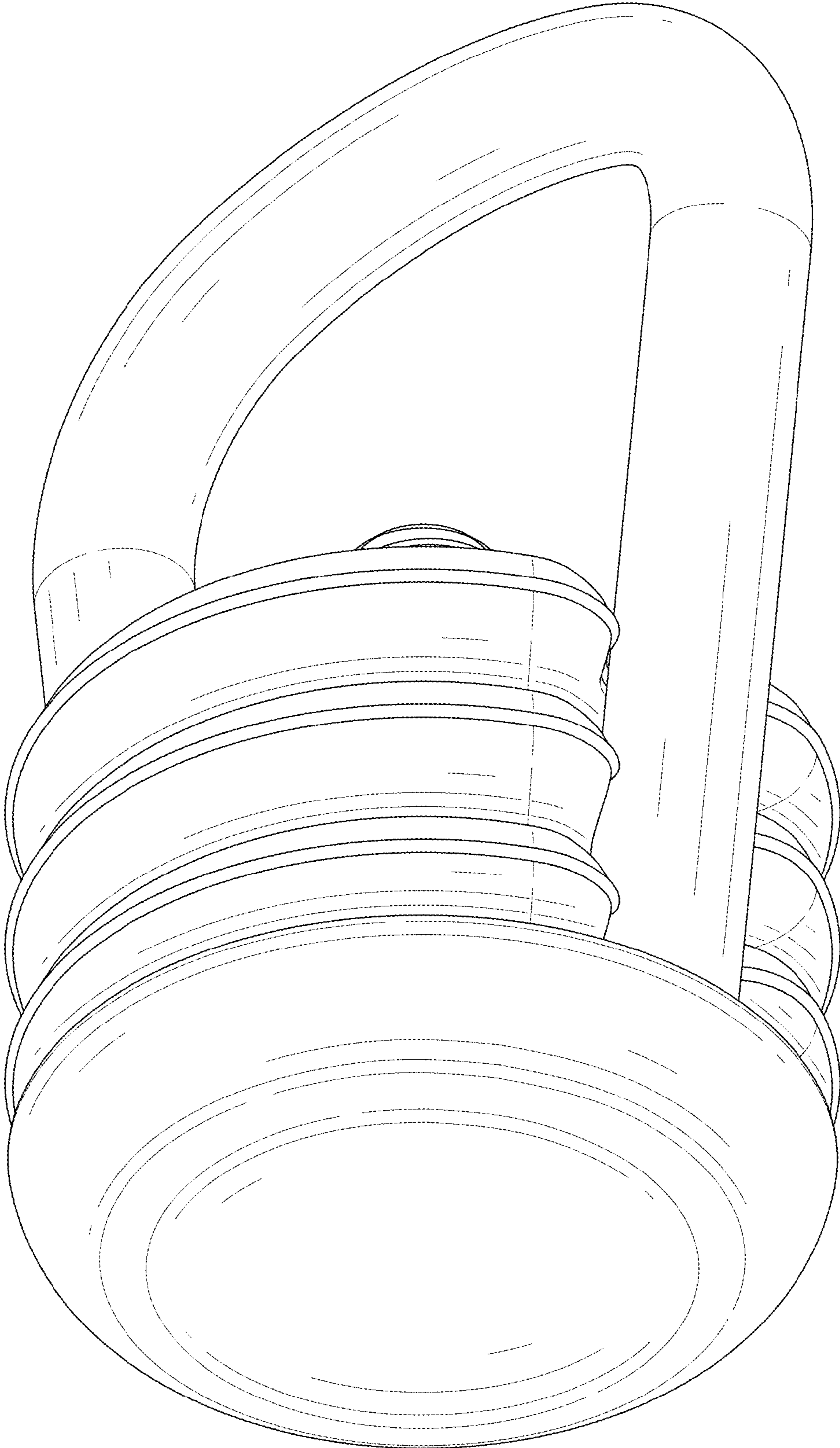


FIG. 2

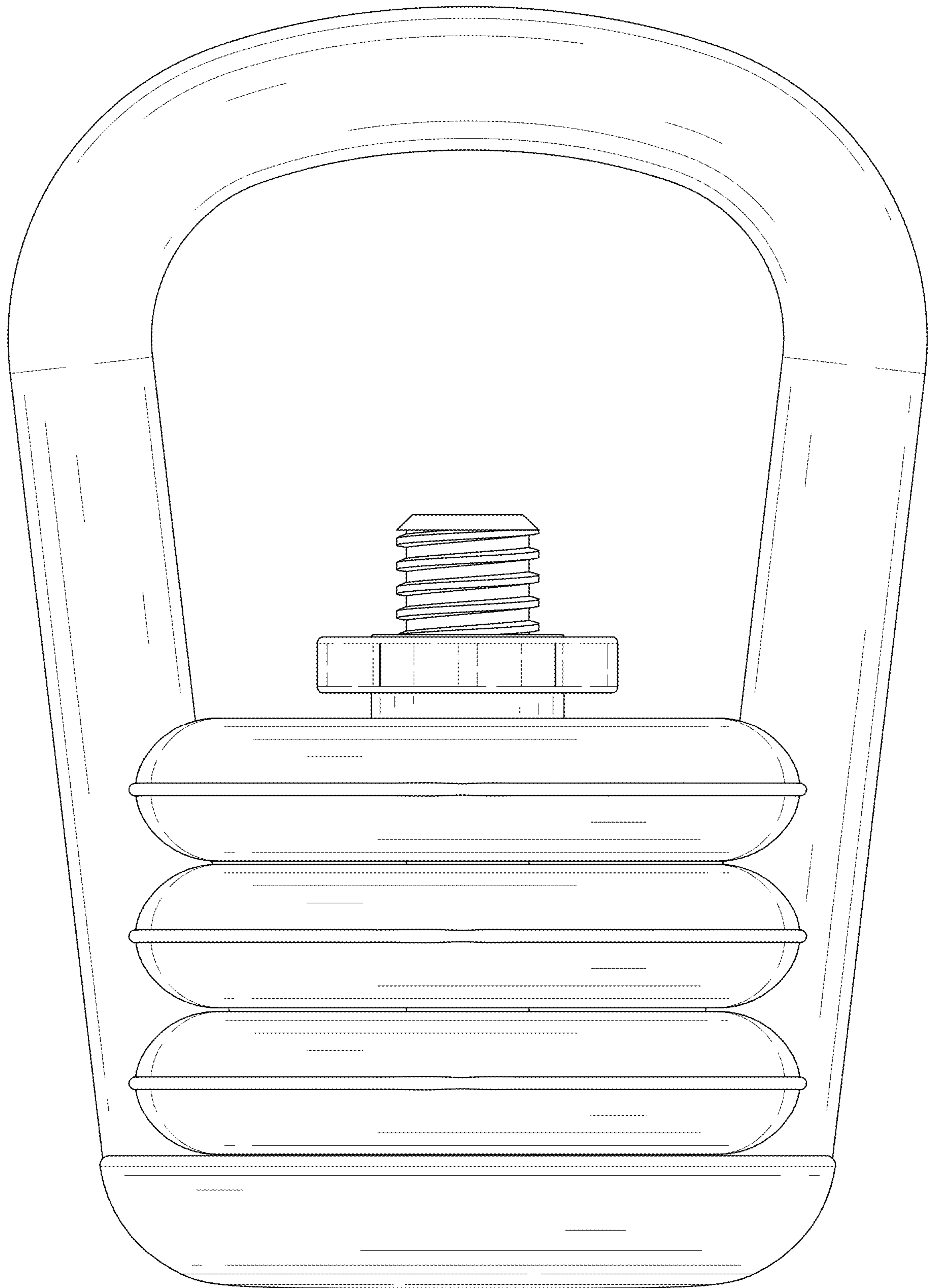


FIG. 3

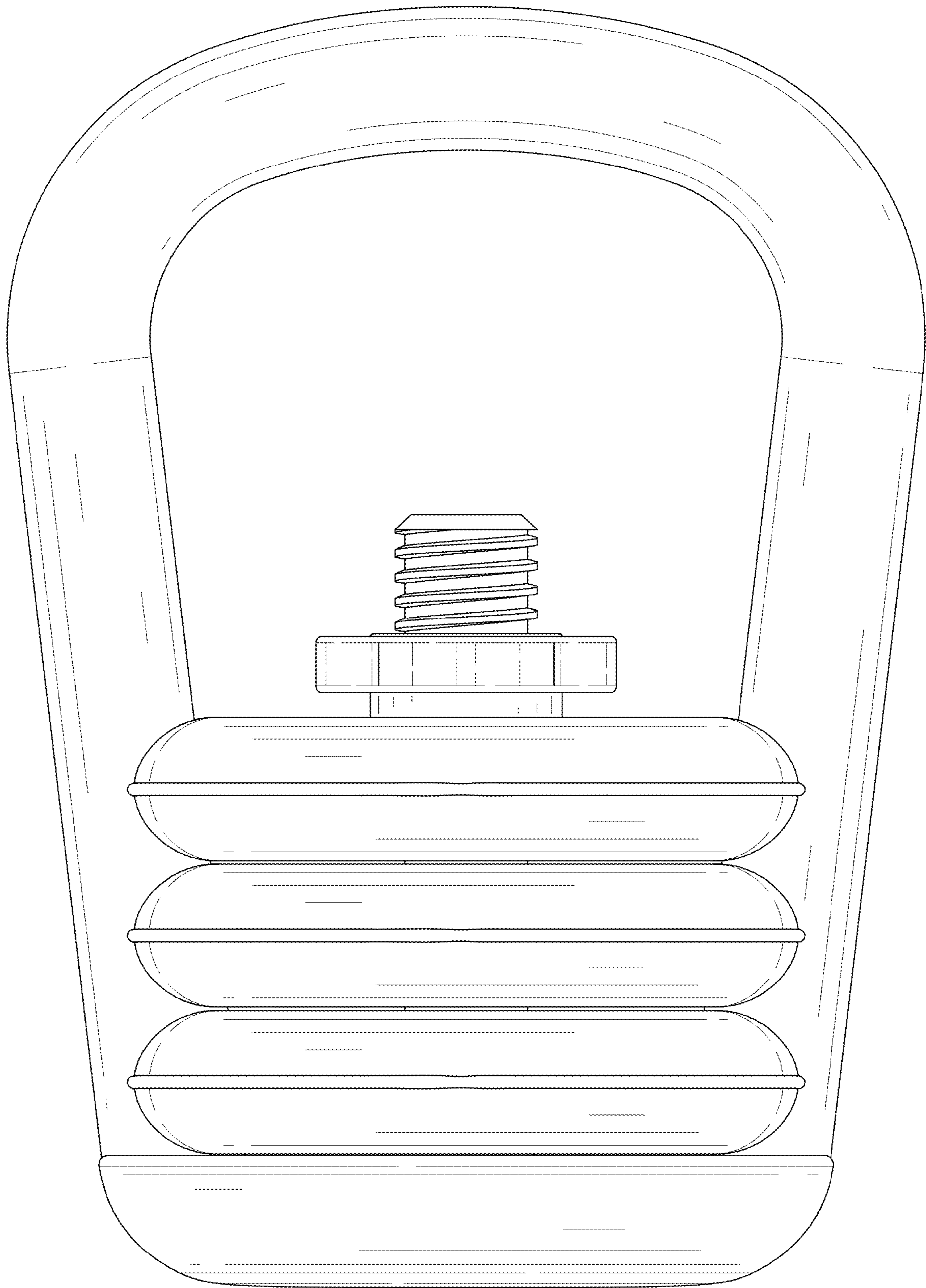


FIG. 4

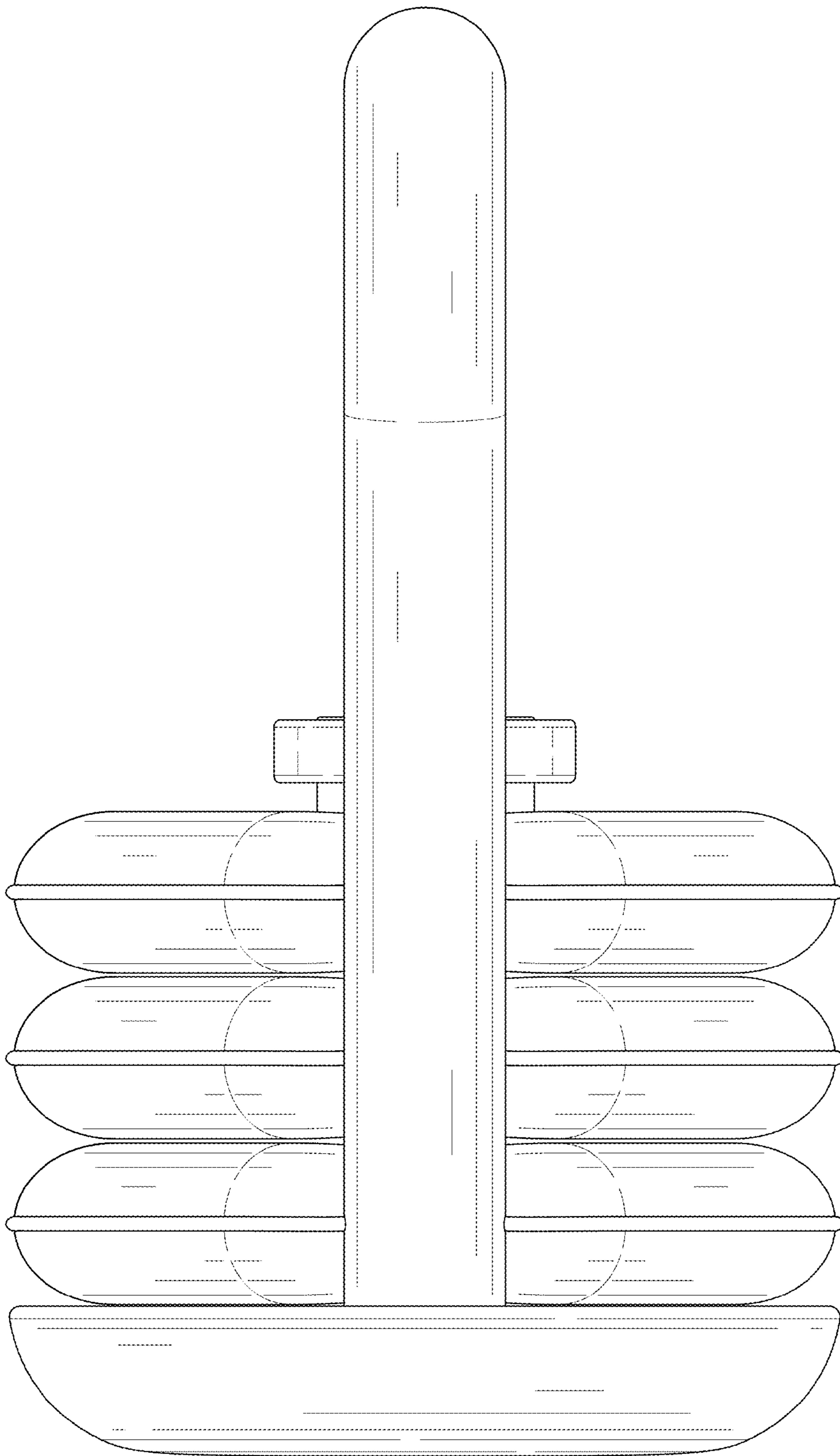


FIG. 5

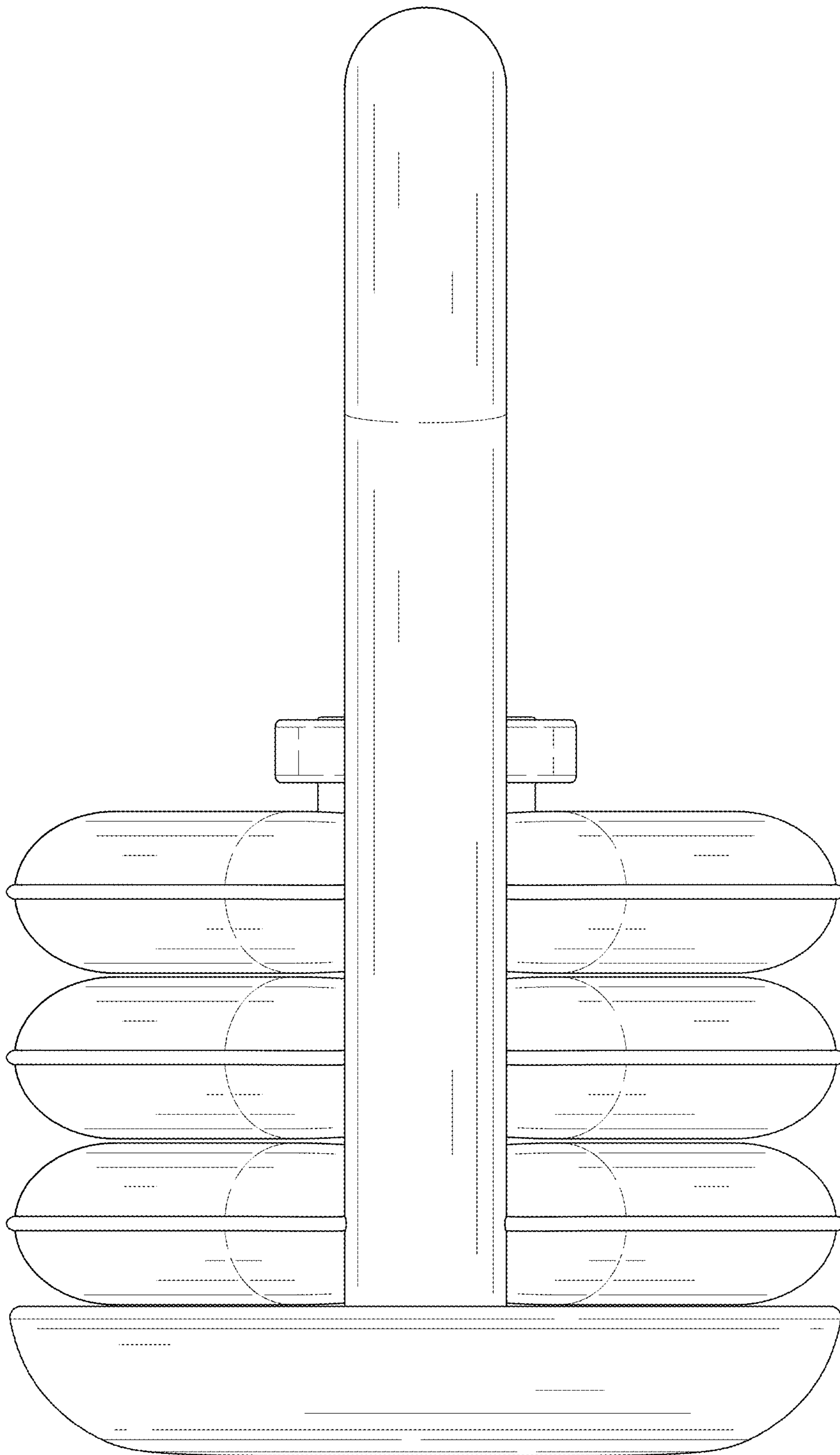


FIG. 6

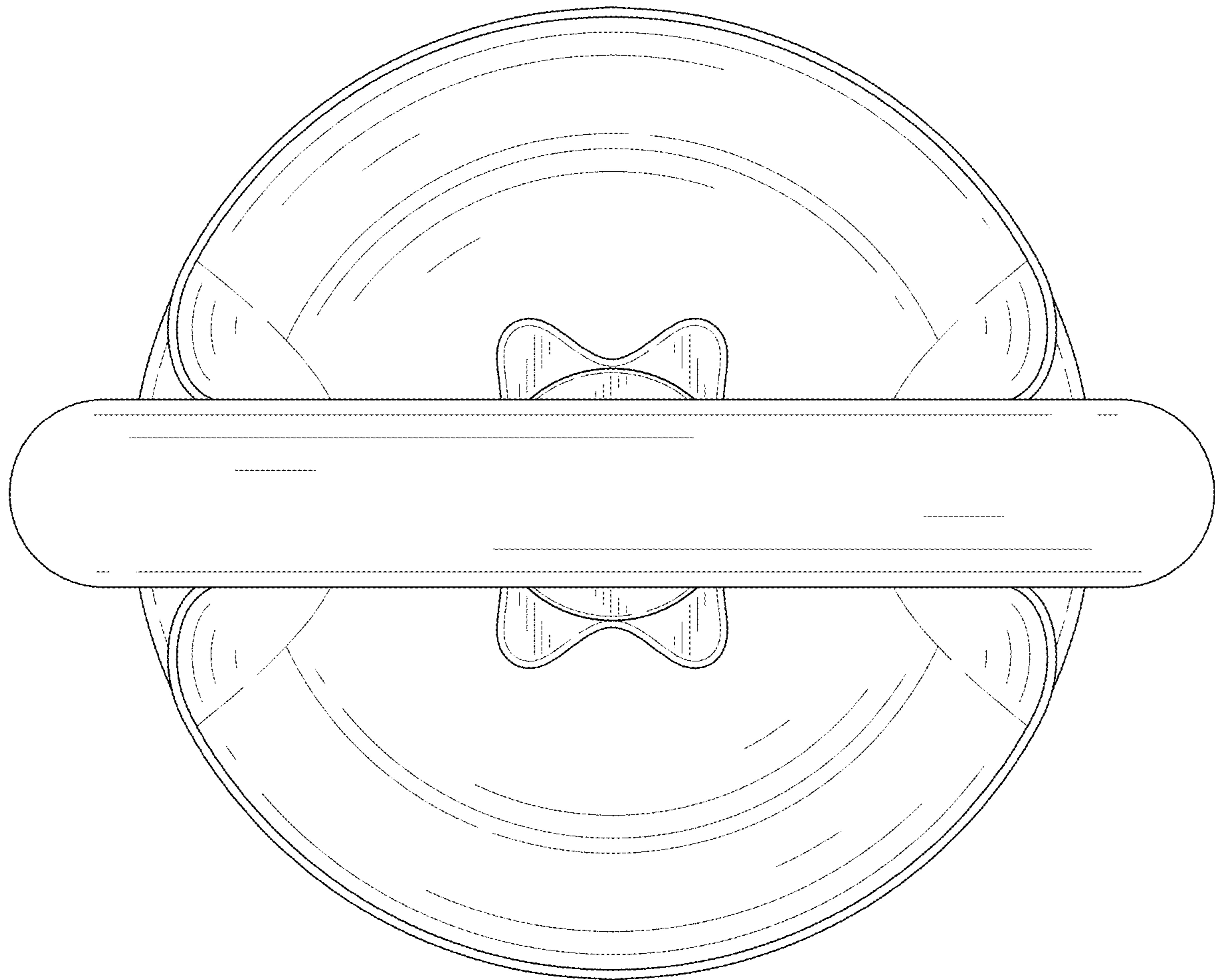


FIG. 7

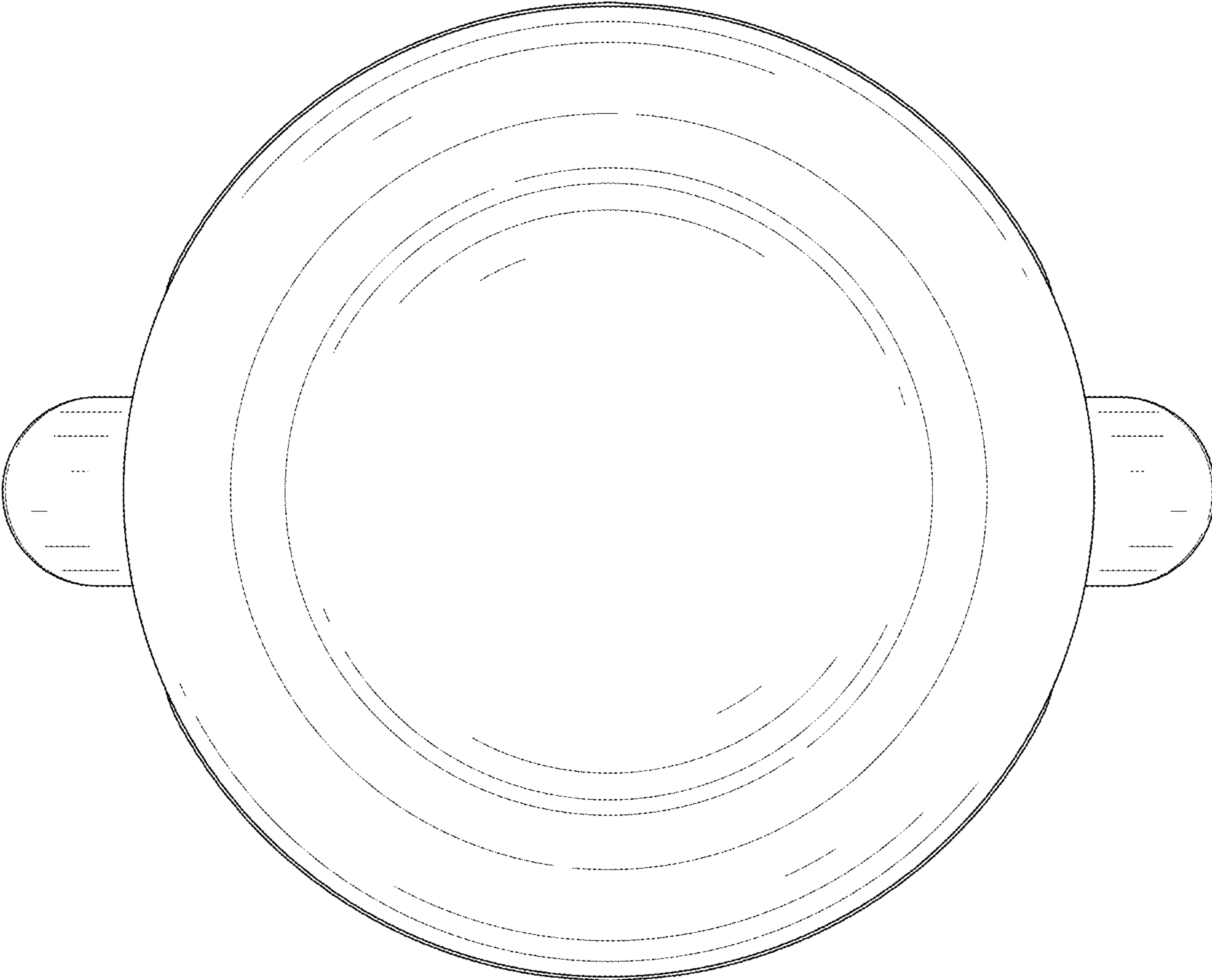


FIG. 8

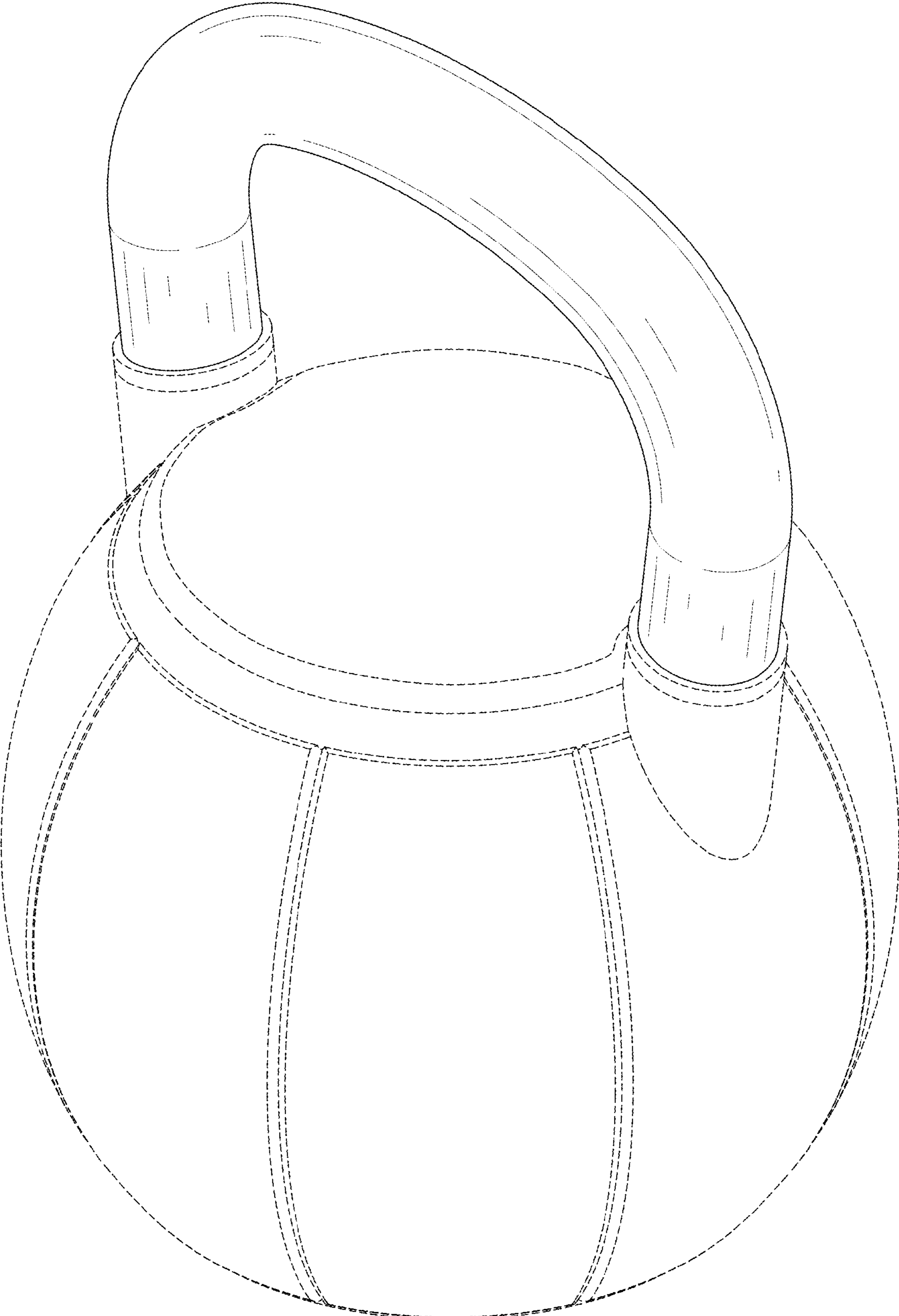


FIG. 9