



US00D942558S

(12) **United States Design Patent** (10) **Patent No.:** **US D942,558 S**
Zhu (45) **Date of Patent:** **** Feb. 1, 2022**

- (54) **TRAMPOLINE**
- (71) Applicant: **Ke Zhu**, Yongkang (CN)
- (72) Inventor: **Ke Zhu**, Yongkang (CN)
- (**) Term: **15 Years**
- (21) Appl. No.: **29/753,274**
- (22) Filed: **Sep. 30, 2020**
- (51) **LOC (13) Cl.** **21-02**
- (52) **U.S. Cl.**
USPC **D21/672**
- (58) **Field of Classification Search**
USPC D21/671, 672, 686, 797, 692, 693, 835
See application file for complete search history.

(56) **References Cited**

U.S. PATENT DOCUMENTS

D570,947 S *	6/2008	Horne	D21/797
D576,229 S *	9/2008	VanElverdinghe	D21/672
D630,285 S *	1/2011	Hsiang	D21/797
7,883,446 B2 *	2/2011	Lovley, II	A63B 5/11 482/27
8,012,066 B1 *	9/2011	Hsiang	A63B 71/022
D653,299 S *	1/2012	Samuel	D21/797
D925,664 S *	7/2021	Wang	D21/672
2004/0107491 A1 *	6/2004	Publicover	E04H 4/108 4/498
2020/0330811 A1 *	10/2020	Zhou	A63B 71/022

OTHER PUBLICATIONS

Prettyshop4246, announced 2020[online], [site visited Nov. 15, 2021]. Available on internet, URL:https://www.amazon.com/Trampoline-Enclosure-Skywalker-Activities-Adjustable/dp/B08JPJ19MK/ref (Year: 2020).*

Langxun, announced 2017[online], [site visited Nov. 15, 2021]. Available on internet, URL:https://www.amazon.com/LANGXUN-Outdoor-Trampoline-Enclosure-Birthday/dp/B073NZLPSZ/ref (Year: 2017).*

Gymax, announced 2020[online], [site visited Nov. 15, 2021]. Available on internet, URI:https://www.amazon.com/GYMAX-Trampoline-Jumping-Enclosure-Outdoor/dp/B08HGQ2CRM/ref (Year: 2020).*

* cited by examiner

Primary Examiner — Khawaja Anwar

Assistant Examiner — Julice Seung Eun Oum

(74) *Attorney, Agent, or Firm* — Bayramoglu Law Offices LLC

(57) **CLAIM**

The ornamental design for a trampoline, as shown and described.

DESCRIPTION

FIG. 1 is a front perspective view of a trampoline showing my new design;

FIG. 2 is a front view thereof;

FIG. 3 is a rear view thereof;

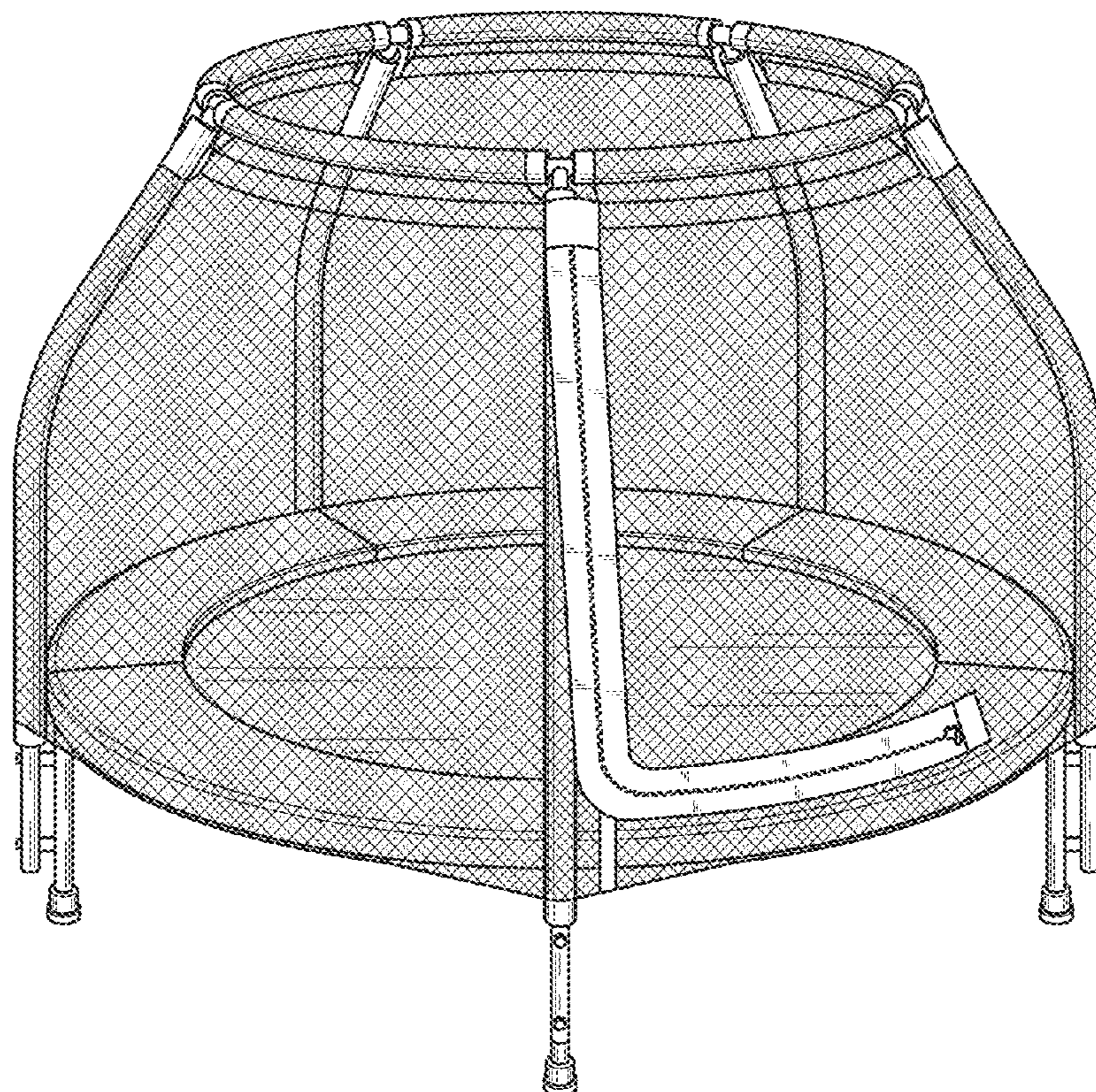
FIG. 4 is a right side view thereof;

FIG. 5 is a left side view thereof; and,

FIG. 6 is a top view thereof.

A bottom view is omitted since the bottom view is invisible in normal use.

1 Claim, 6 Drawing Sheets



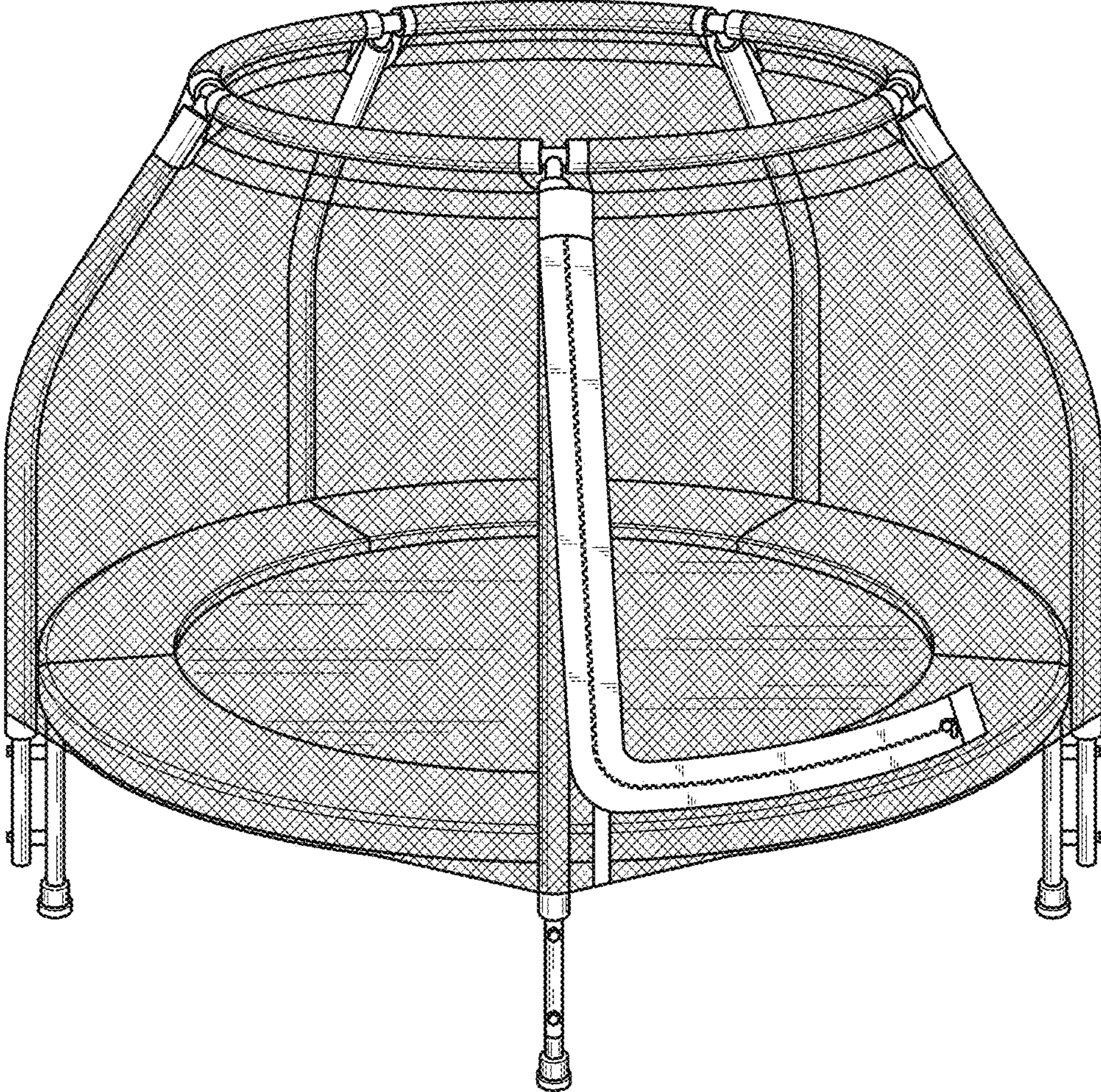


Fig. 1

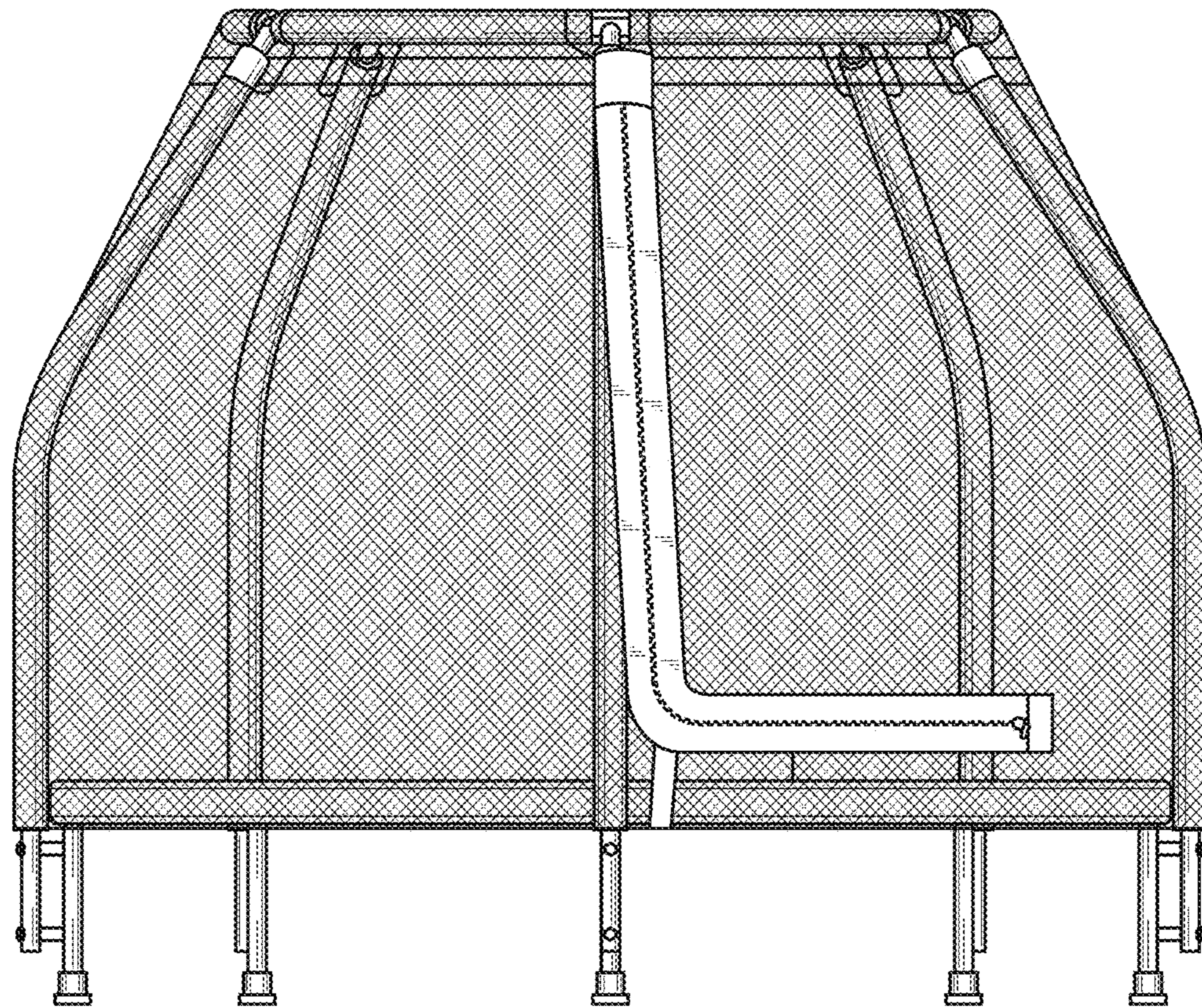


Fig. 2

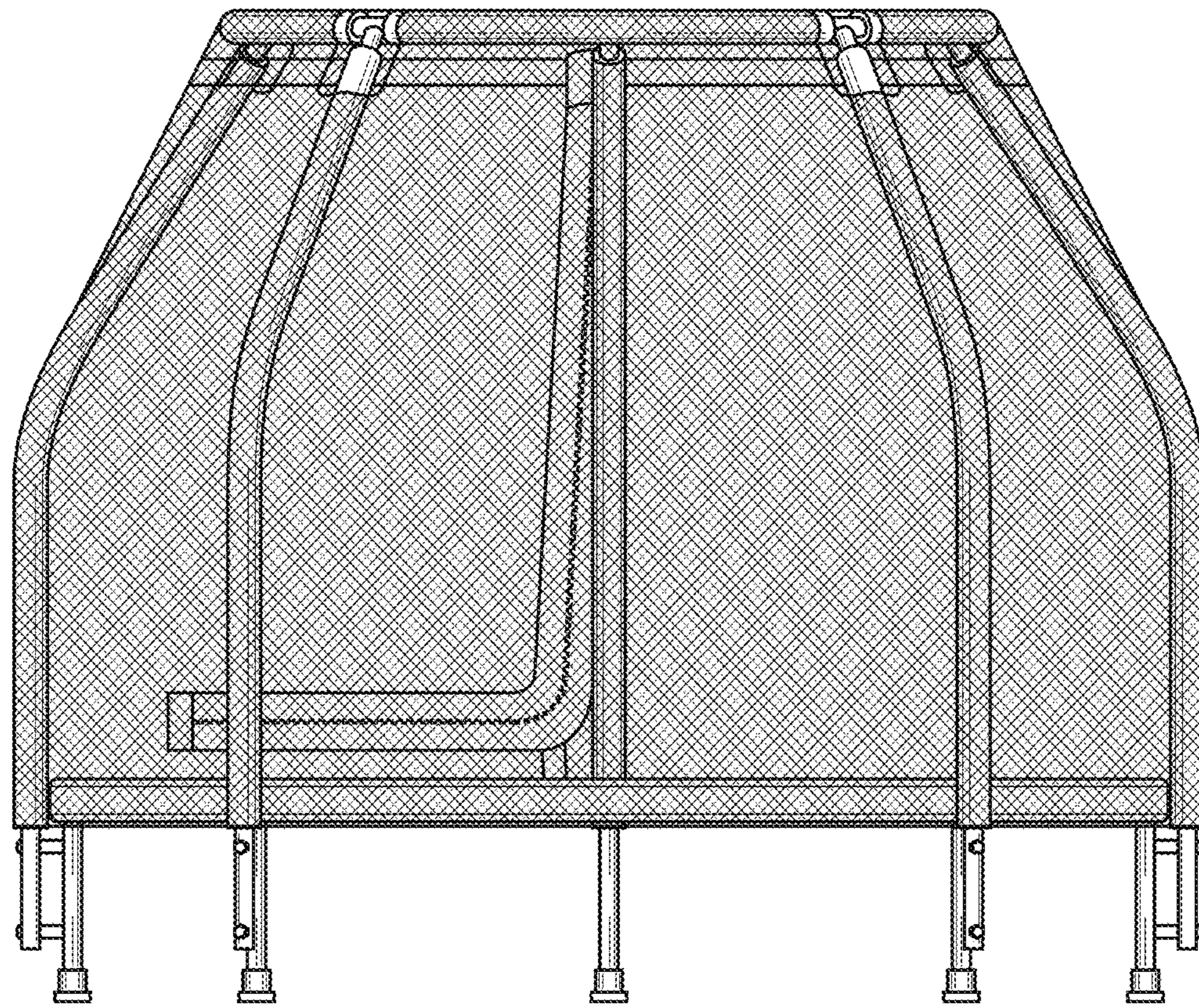


Fig. 3

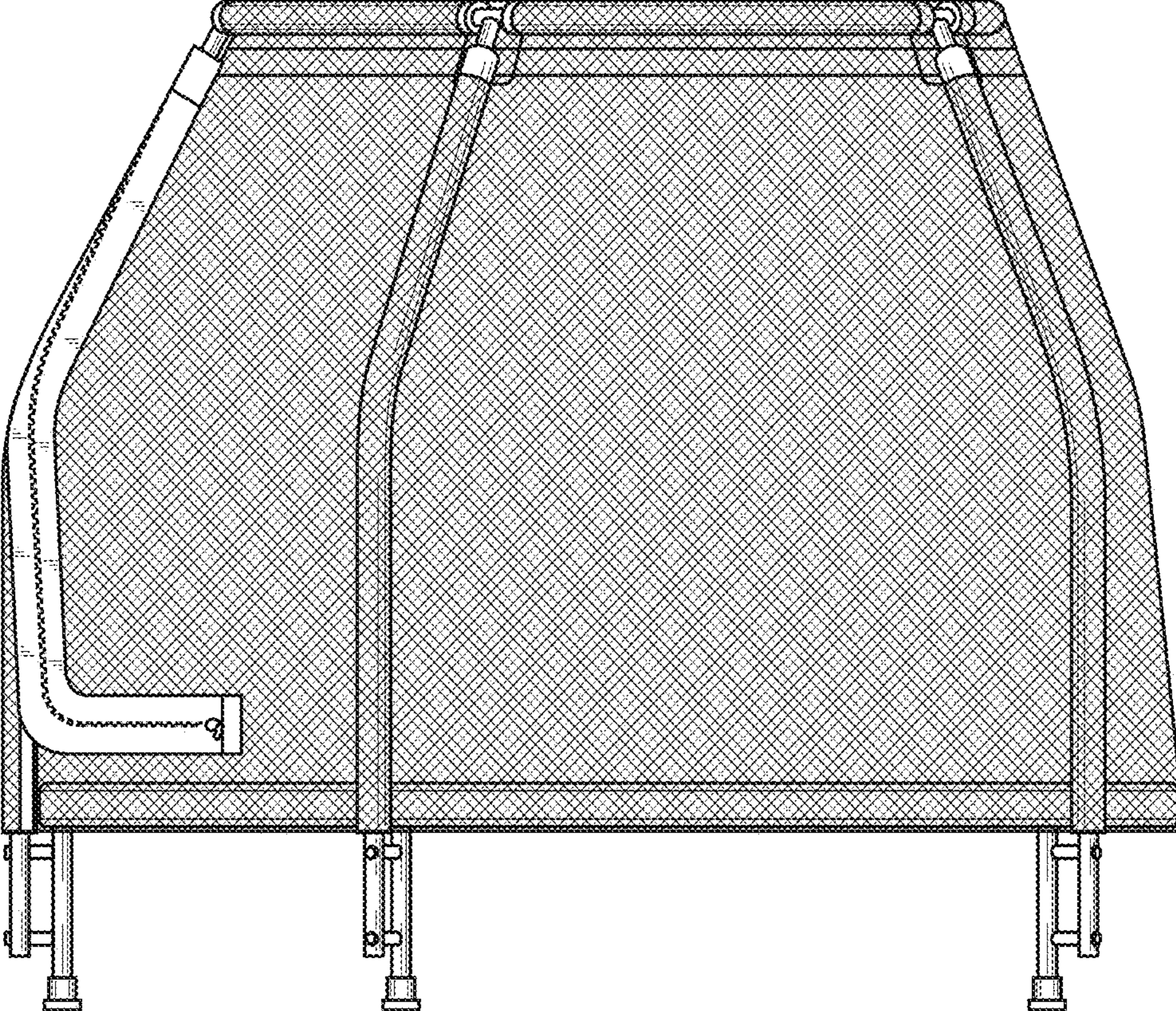


Fig. 4

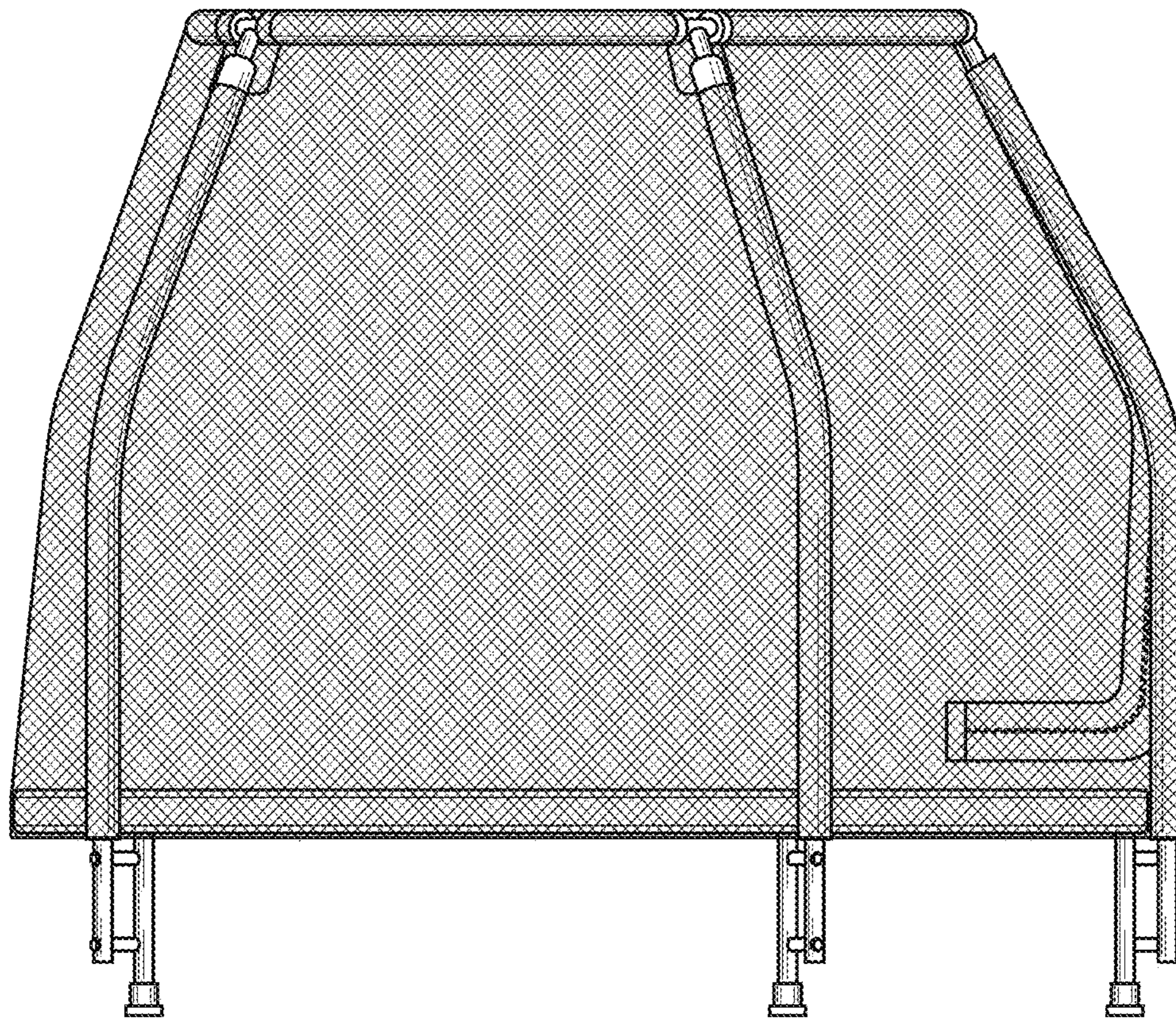


Fig. 5

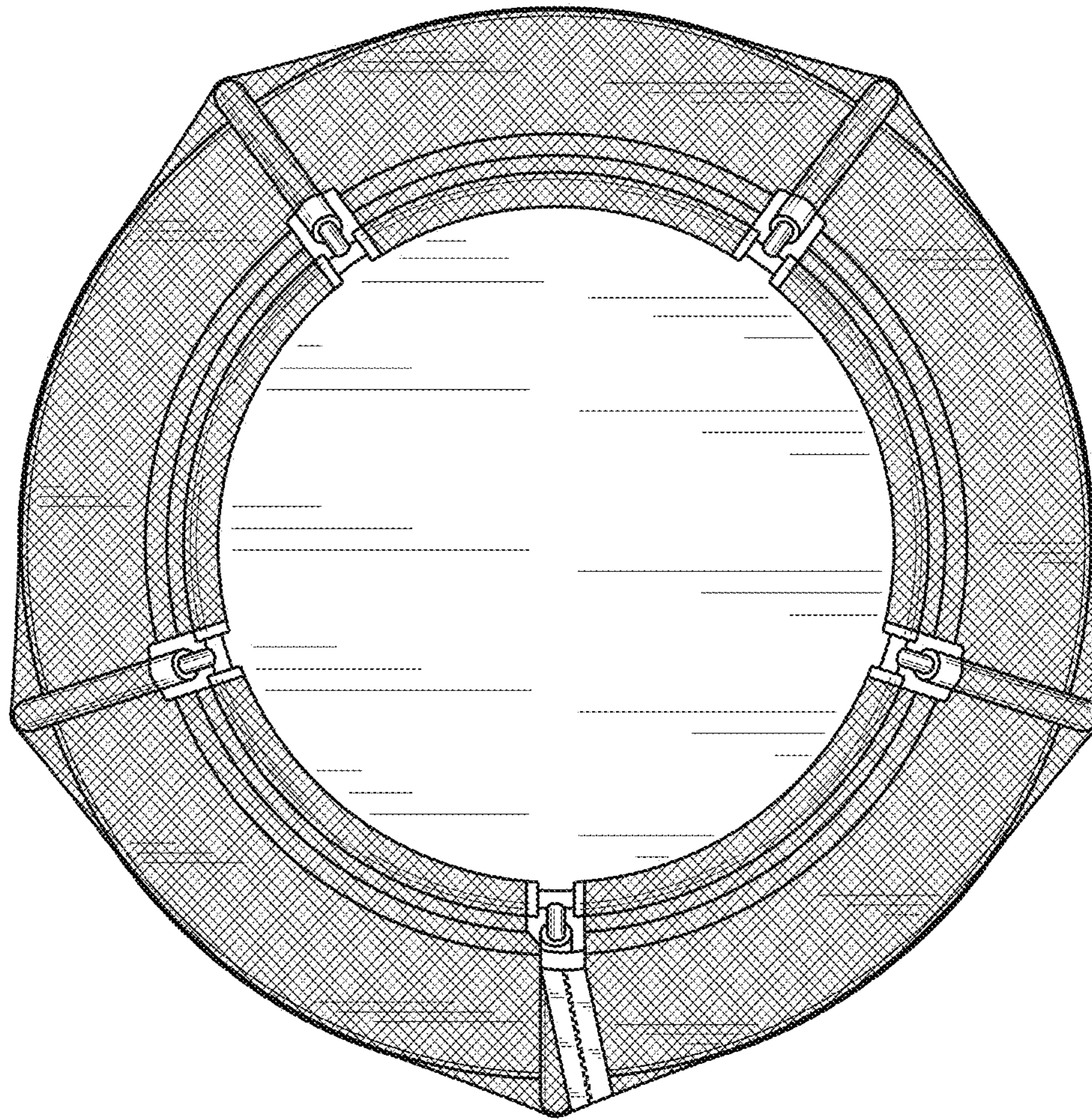


Fig. 6