



US00D942557S

(12) **United States Design Patent** (10) **Patent No.:** **US D942,557 S**
Liu (45) **Date of Patent:** **** Feb. 1, 2022**

(54) **SKIPPING ROPE**
(71) Applicant: **Zhenglin Liu**, Jiangsu (CN)
(72) Inventor: **Zhenglin Liu**, Jiangsu (CN)
(73) Assignee: **Wuxi Suowei Technology Co., Ltd**,
Jiangsu (CN)
(**) Term: **15 Years**

D856,446 S * 8/2019 Yu D21/672
10,751,559 B2 * 8/2020 Constanza A63B 24/0087
2013/0165299 A1 * 6/2013 Hunt A63B 5/20
482/82
2014/0018210 A1 * 1/2014 Lin A63B 71/0605
482/8
2015/0119206 A1 * 4/2015 Newman A63B 21/0608
482/82
2016/0067536 A1 * 3/2016 Carpinelli A63B 5/20
482/82
2018/0221703 A1 * 8/2018 Newman A63B 5/20

(21) Appl. No.: **29/707,527**
(22) Filed: **Sep. 29, 2019**
(51) **LOC (13) Cl.** **21-02**
(52) **U.S. Cl.**
USPC **D21/672**
(58) **Field of Classification Search**
USPC D21/672, 756, 662, 757, 684, 694;
D22/117; D7/684, 649; D26/38, 49;
D8/14, 303, 373; 482/82, 49, 81, 110, 8,
482/106, 2; D15/66; D9/621; D19/77
CPC A63B 5/20; A63B 2208/12; A63B 5/205;
A63B 2071/0625; A63B 2225/74; A63B
21/4035; A63B 21/0004
See application file for complete search history.

OTHER PUBLICATIONS

Wayza Rope by Wayzora dated Jan. 4, 2020. Found online [Dec. 29, 2020] https://www.amazon.com/Wayza-Rope-Interlocking-Weighted-Jump/dp/B07ZYLYF4J/ref=cm_cr_arp_d_product_top?ie=UTF8 (Year : 2020).*

* cited by examiner

Primary Examiner — Ryan Harvey

(57) **CLAIM**

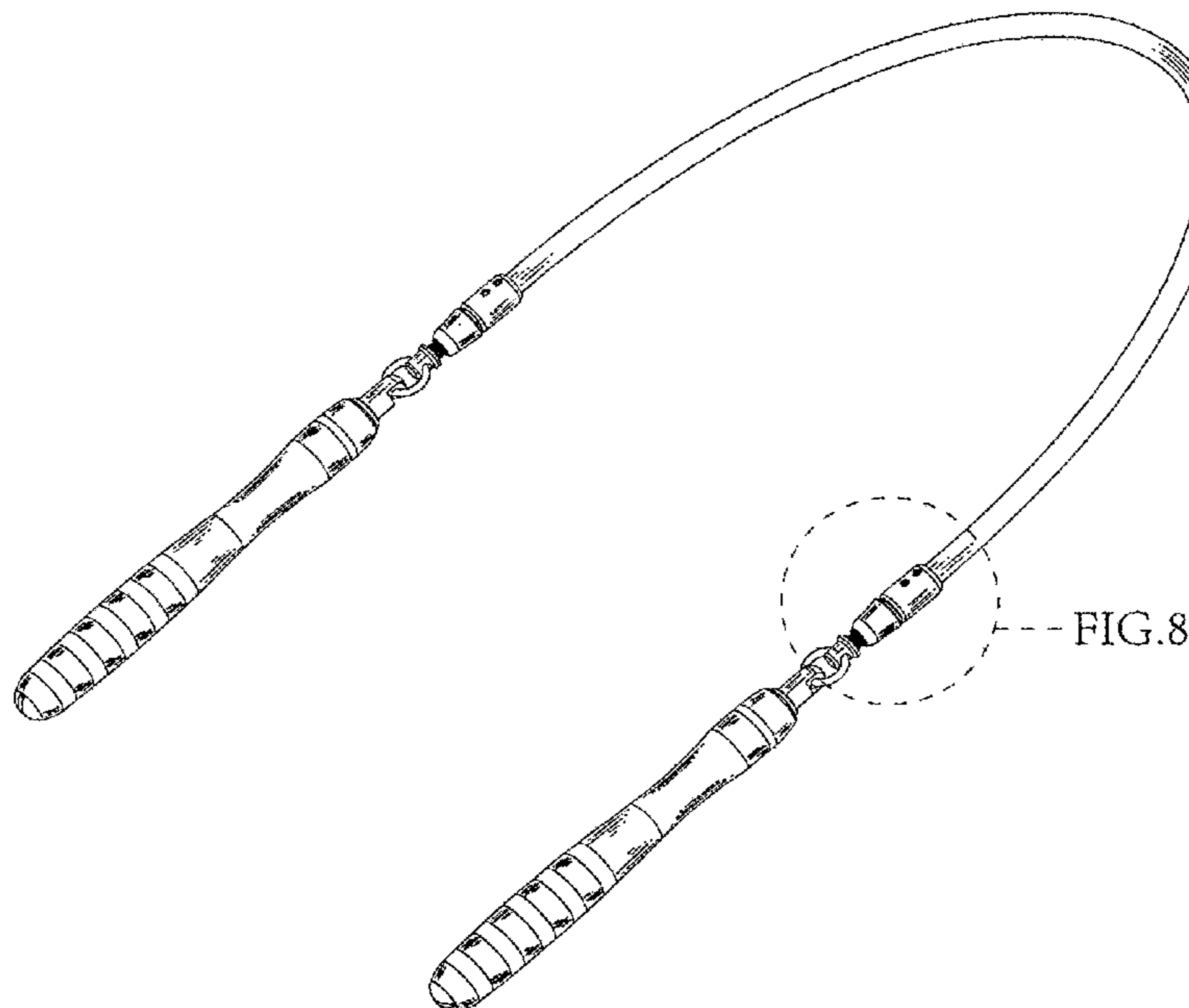
The ornamental design for a skipping rope, as shown and described.

DESCRIPTION

FIG. 1 is a perspective view of a skipping rope showing my new design;
FIG. 2 is a front elevational view thereof;
FIG. 3 is a rear elevational view thereof;
FIG. 4 is a left side elevational view thereof;
FIG. 5 is a right side elevational view thereof;
FIG. 6 is a top plan view thereof;
FIG. 7 is a bottom plan view thereof; and,
FIG. 8 is an enlarged view taken from FIG. 1.

1 Claim, 8 Drawing Sheets

(56) **References Cited**
U.S. PATENT DOCUMENTS
4,136,866 A * 1/1979 Bouvier A63B 5/20
16/430
5,314,393 A * 5/1994 Rubin A63B 5/20
472/13
D566,206 S * 4/2008 Yang D21/672
7,976,438 B1 * 7/2011 Hsu A63B 5/20
482/81
D804,591 S * 12/2017 Kuang D21/672
D829,835 S * 10/2018 Yu D21/672
D846,667 S * 4/2019 Yu D21/694



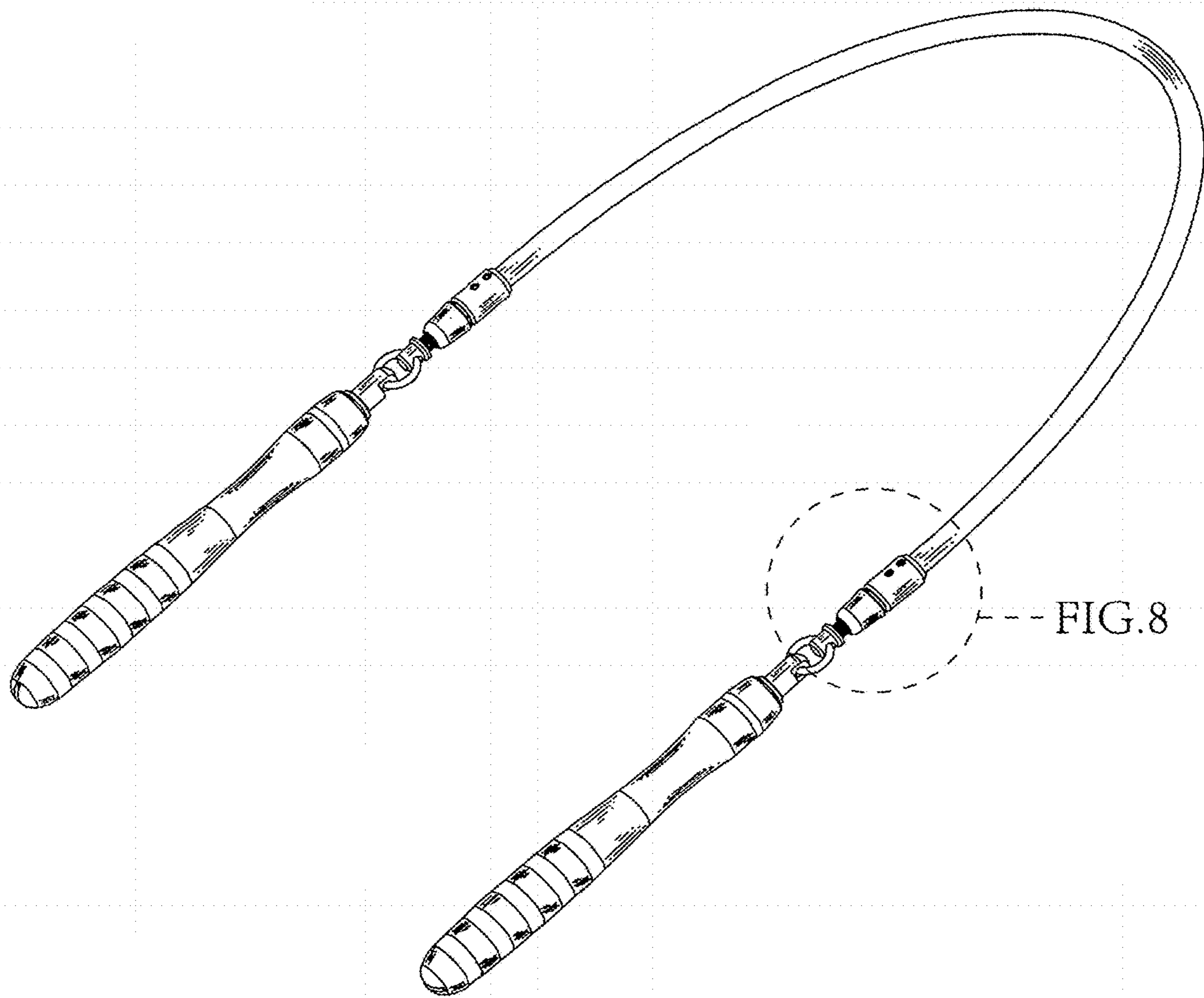


FIG. 1

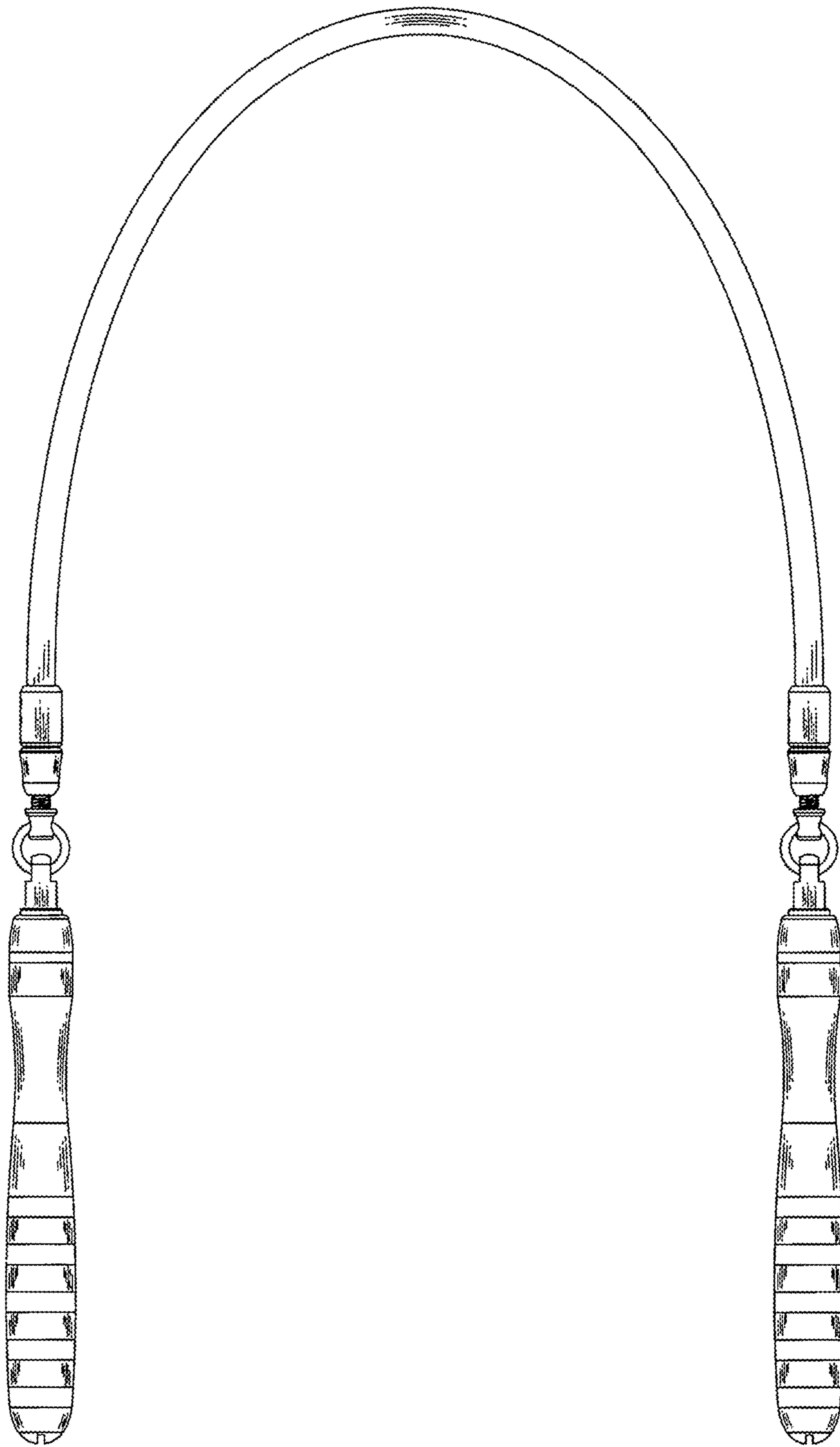


FIG. 2

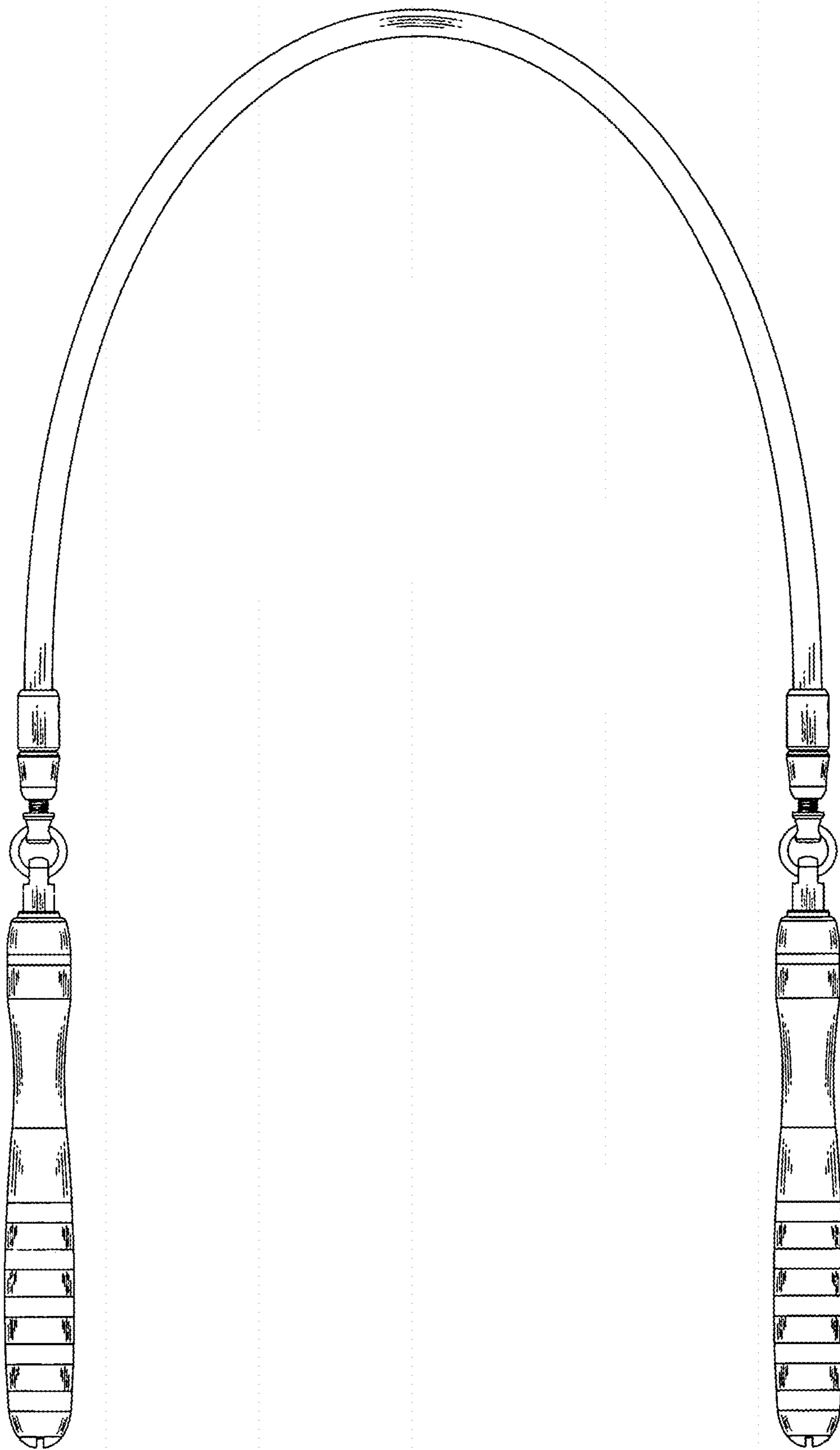


FIG. 3

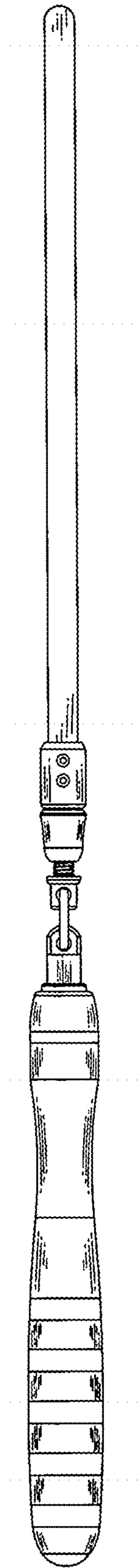


FIG. 4

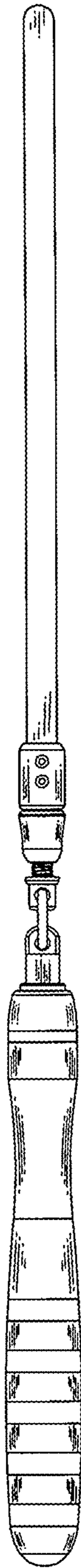


FIG. 5

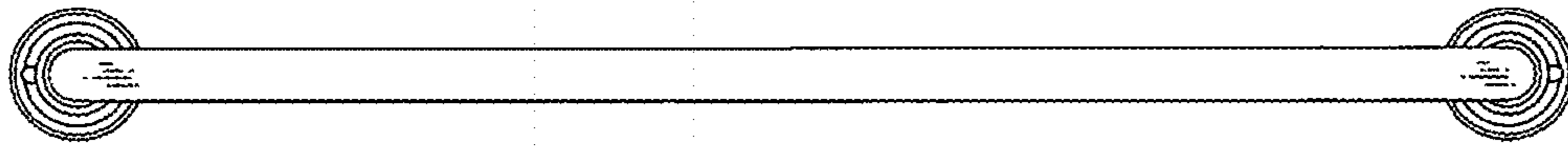


FIG. 6



FIG. 7

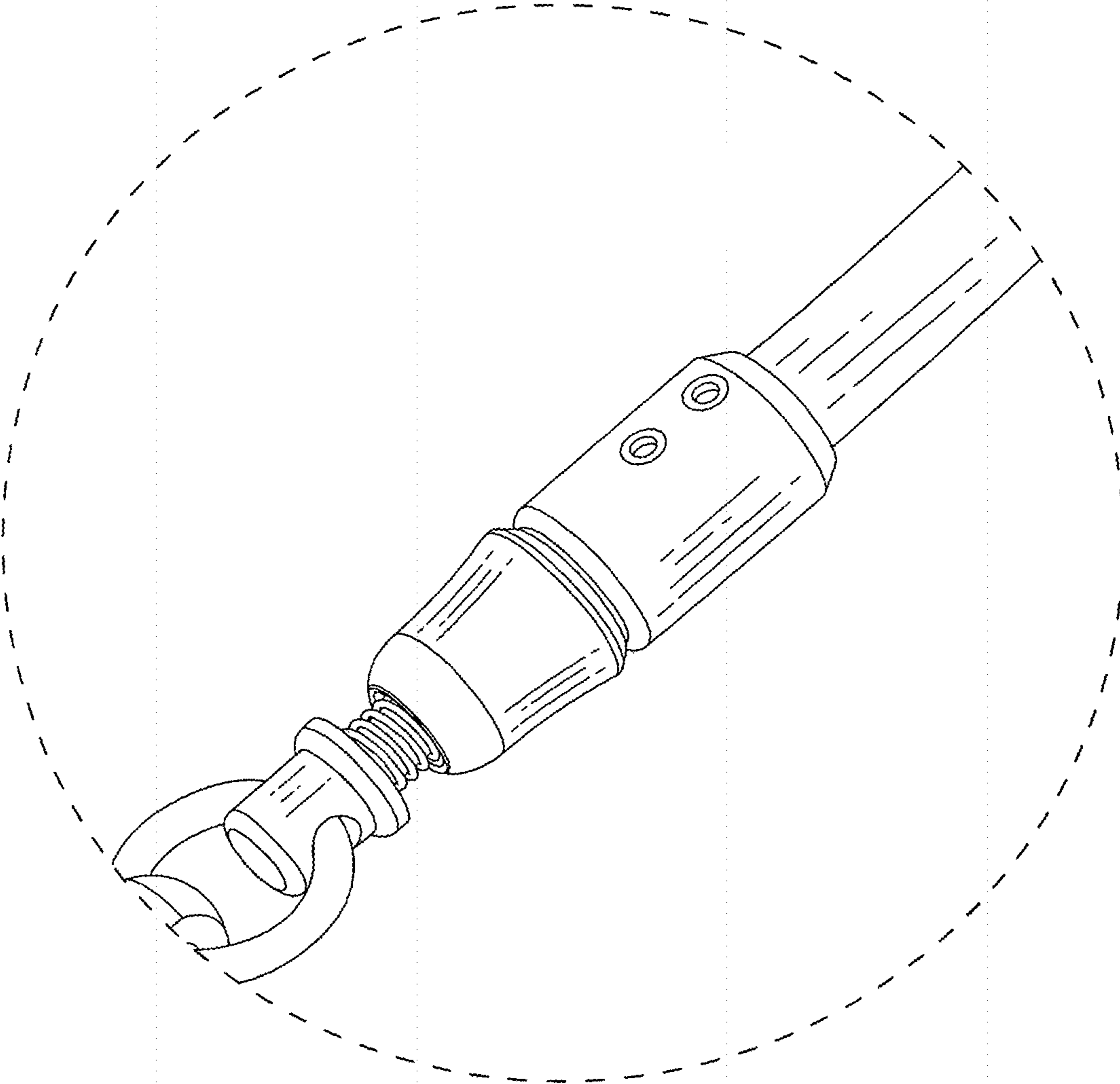


FIG. 8