



US00D942552S

(12) **United States Design Patent**  
**Kiribuchi**

(10) **Patent No.:** **US D942,552 S**

(45) **Date of Patent:** **\*\* Feb. 1, 2022**

(54) **ASSEMBLING TOY**

(71) Applicant: **PEOPLE CO., LTD.**, Tokyo (JP)

(72) Inventor: **Masato Kiribuchi**, Tokyo (JP)

(73) Assignee: **PEOPLE CO., LTD.**, Tokyo (JP)

(\*\*) Term: **15 Years**

(21) Appl. No.: **29/732,343**

(22) Filed: **Apr. 23, 2020**

(30) **Foreign Application Priority Data**

Dec. 19, 2019 (JP) ..... 2019-028227

(51) **LOC (13) Cl.** ..... **21-01**

(52) **U.S. Cl.**  
USPC ..... **D21/618; D21/658**

(58) **Field of Classification Search**  
USPC ..... D11/57, 134, 137, 158, 162, 141;  
D21/490, 576, 96, 598, 599, 602, 611,  
D21/618-620, 661, 653, 656, 658  
See application file for complete search history.

(56) **References Cited**

**U.S. PATENT DOCUMENTS**

D136,040 S *	7/1943	Rebohlz	.....	D21/611
D136,920 S *	12/1943	Rebohlz	.....	D21/611
2,338,738 A *	1/1944	Rebohlz	.....	A63H 3/16 446/100
D158,258 S *	4/1950	Gemanos	.....	D21/620
D279,844 S *	7/1985	Dolan	.....	D21/576
D284,685 S *	7/1986	Fabricant	.....	D21/618
D286,421 S *	10/1986	Maruyama	.....	D21/618
D316,432 S *	4/1991	Stephenson	.....	D21/618
D359,084 S *	6/1995	Bertrand	.....	D21/618
D381,929 S *	8/1997	Lal	.....	D11/121
D421,469 S *	3/2000	Reinke	.....	D21/606
D670,773 S *	11/2012	Kim	.....	D21/618
D671,995 S *	12/2012	Stewart	.....	D21/618

D699,304 S *	2/2014	Lombardi	.....	D21/618
D797,210 S *	9/2017	Jiencke	.....	D21/618
D812,691 S *	3/2018	Clemmer	.....	D21/302
D889,559 S *	7/2020	Child	.....	D21/428
D918,315 S *	5/2021	Mulholland	.....	D21/618
D925,660 S *	7/2021	Wang	.....	D21/479

\* cited by examiner

*Primary Examiner* — Michael C Stout

*Assistant Examiner* — Melvin L Davis

(74) *Attorney, Agent, or Firm* — Leydig Voit & Mayer, Ltd.

(57) **CLAIM**

The ornamental design for an assembling toy, as shown and described.

**DESCRIPTION**

FIG. 1 is a front view of an assembling toy of the present invention.

FIG. 2 is a rear view thereof.

FIG. 3 is a top plan view thereof.

FIG. 4 is a bottom plan view thereof.

FIG. 5 is a right side view thereof.

FIG. 6 is a left side view thereof.

FIG. 7 is a front perspective view thereof.

FIG. 8 is a rear perspective view thereof.

FIG. 9 is a sectional view taken along the line 9-9 of the FIG. 1.

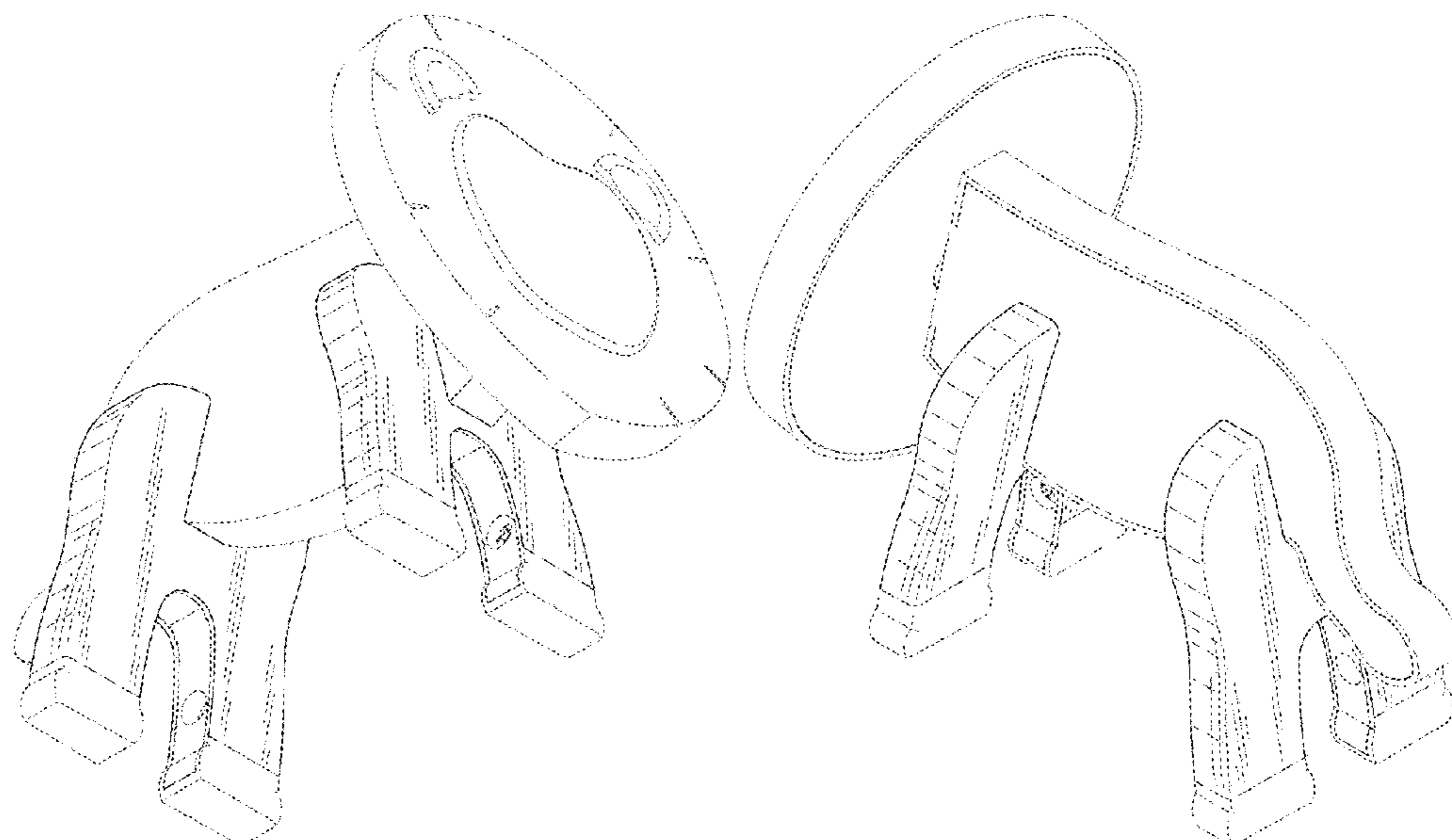
FIG. 10 is a sectional view taken along the line 10-10 of the FIG. 1; and,

FIG. 11 is a sectional view taken along the line 11-11 of the FIG. 5.

The alternate long and short dash lines indicate bounds of the claimed design and form no part thereof.

The features shown in broken lines are included to illustrate portions of the assembling toy and form no part of the claimed design.

**1 Claim, 11 Drawing Sheets**



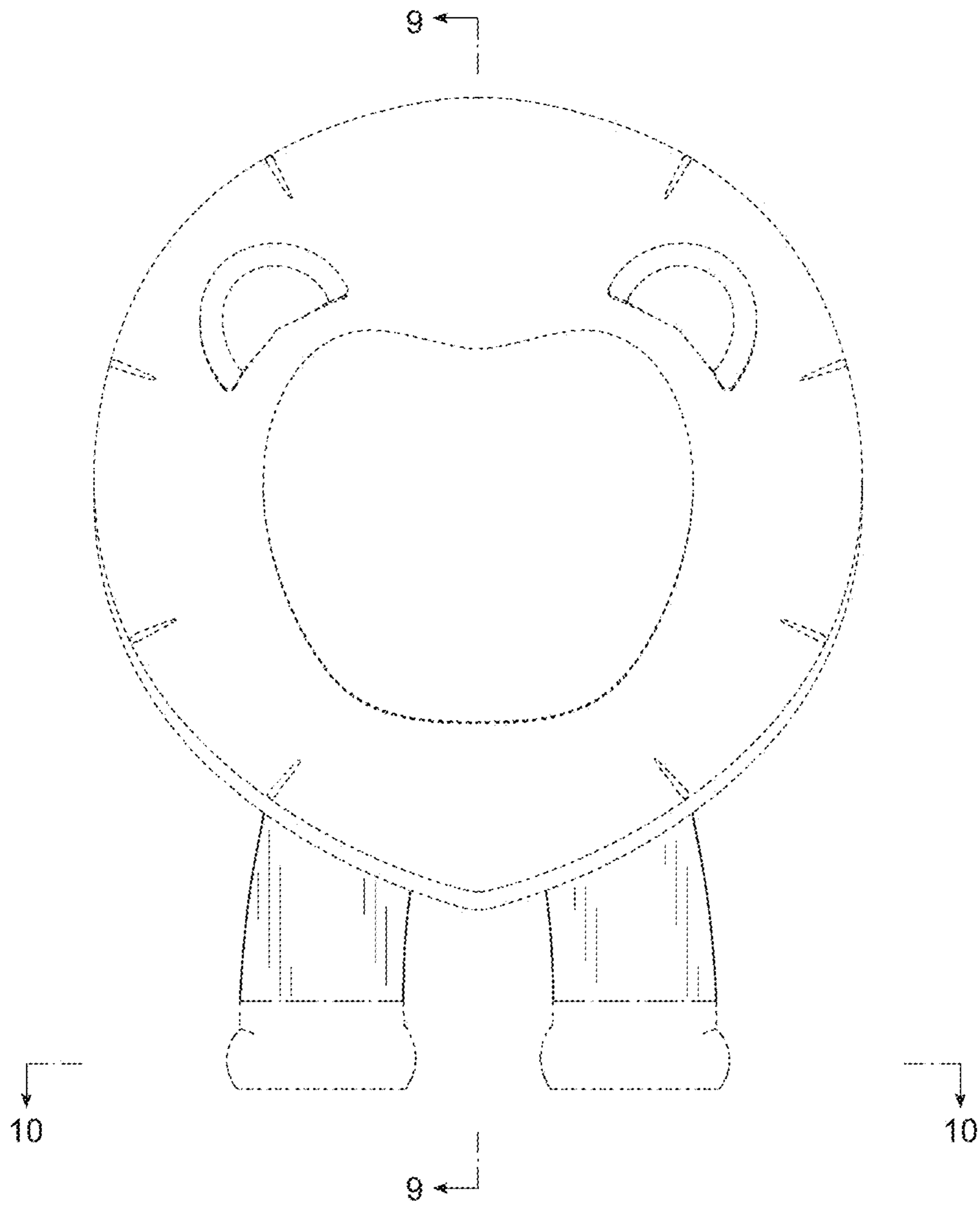


FIG. 1

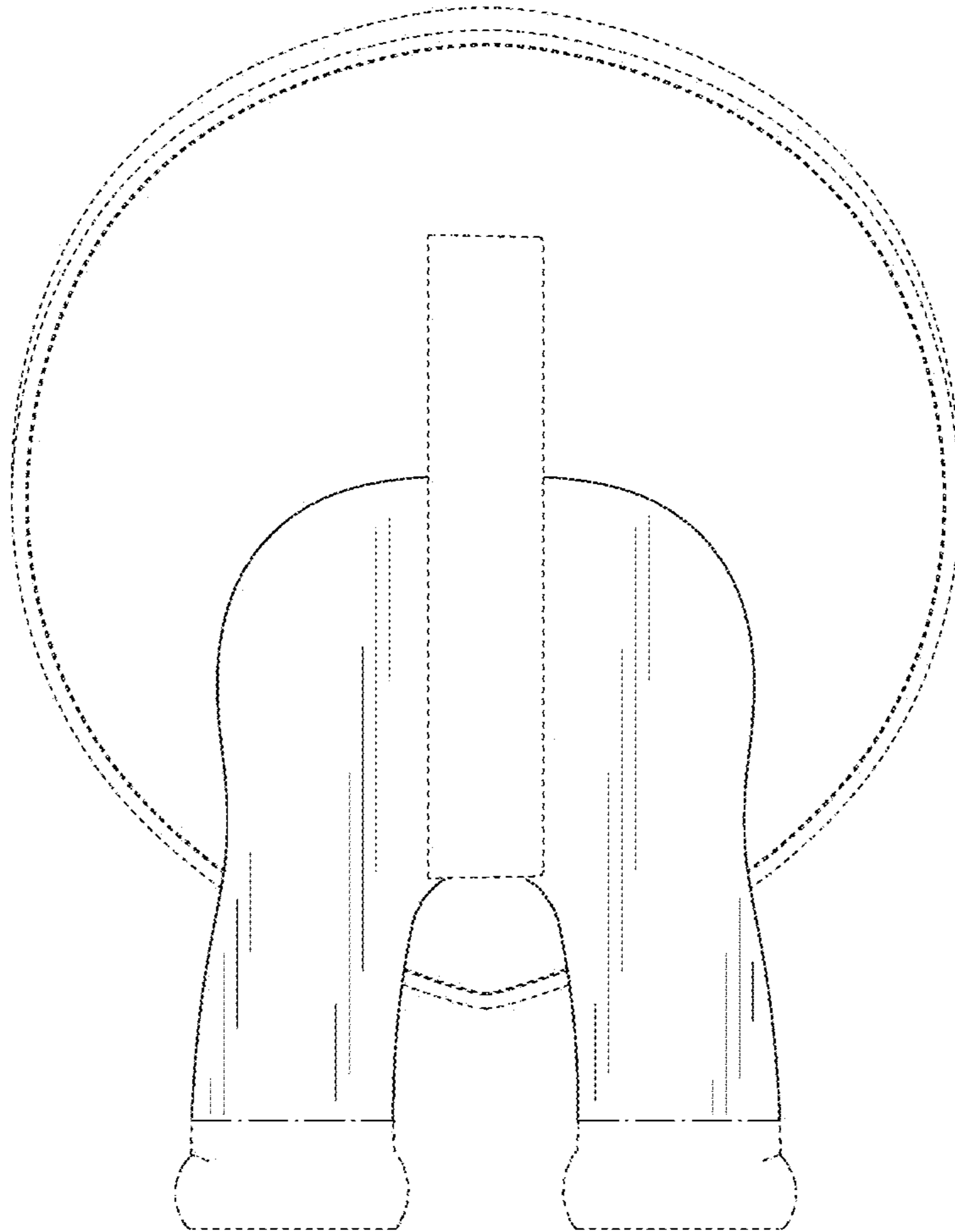


FIG. 2

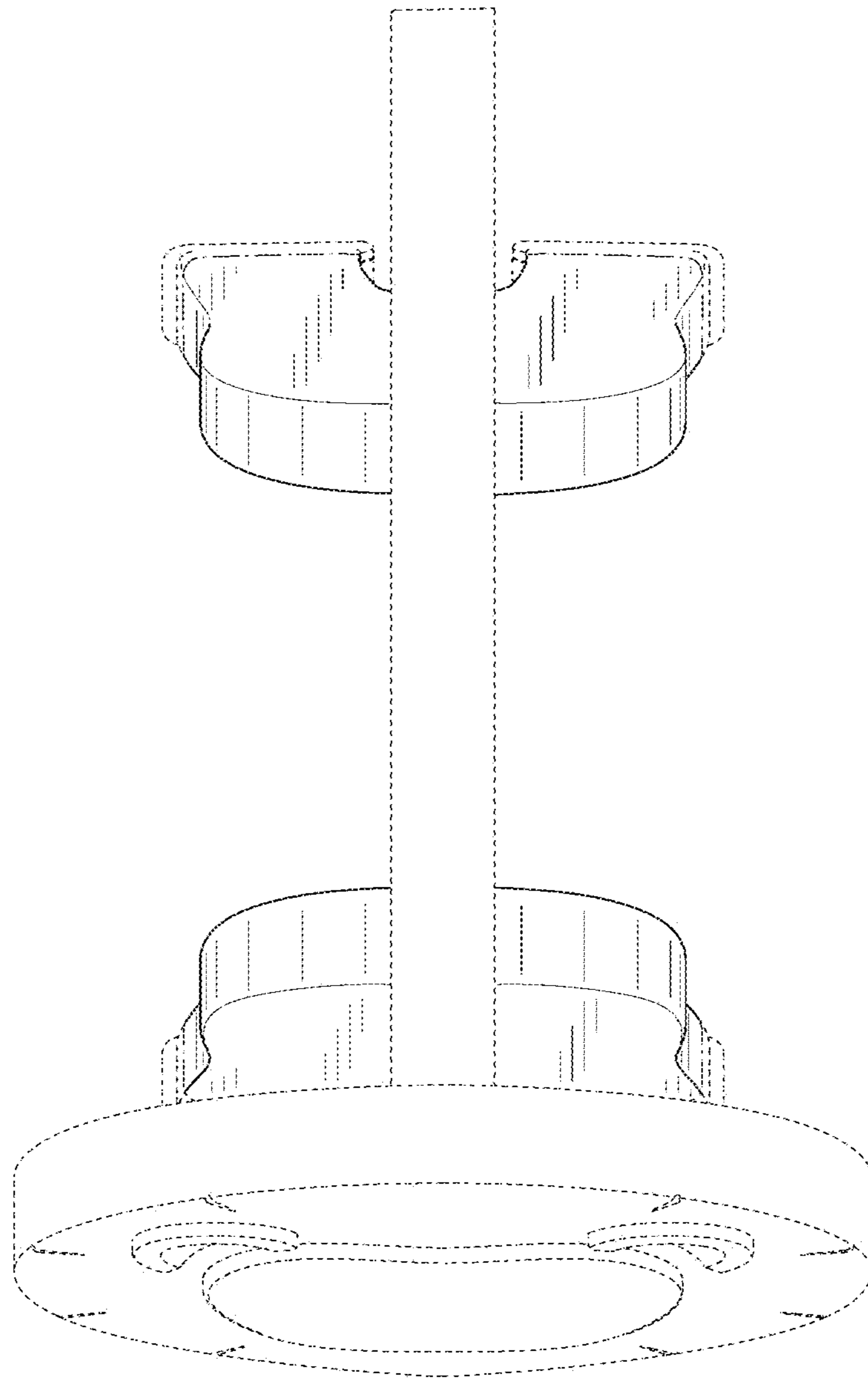


FIG. 3

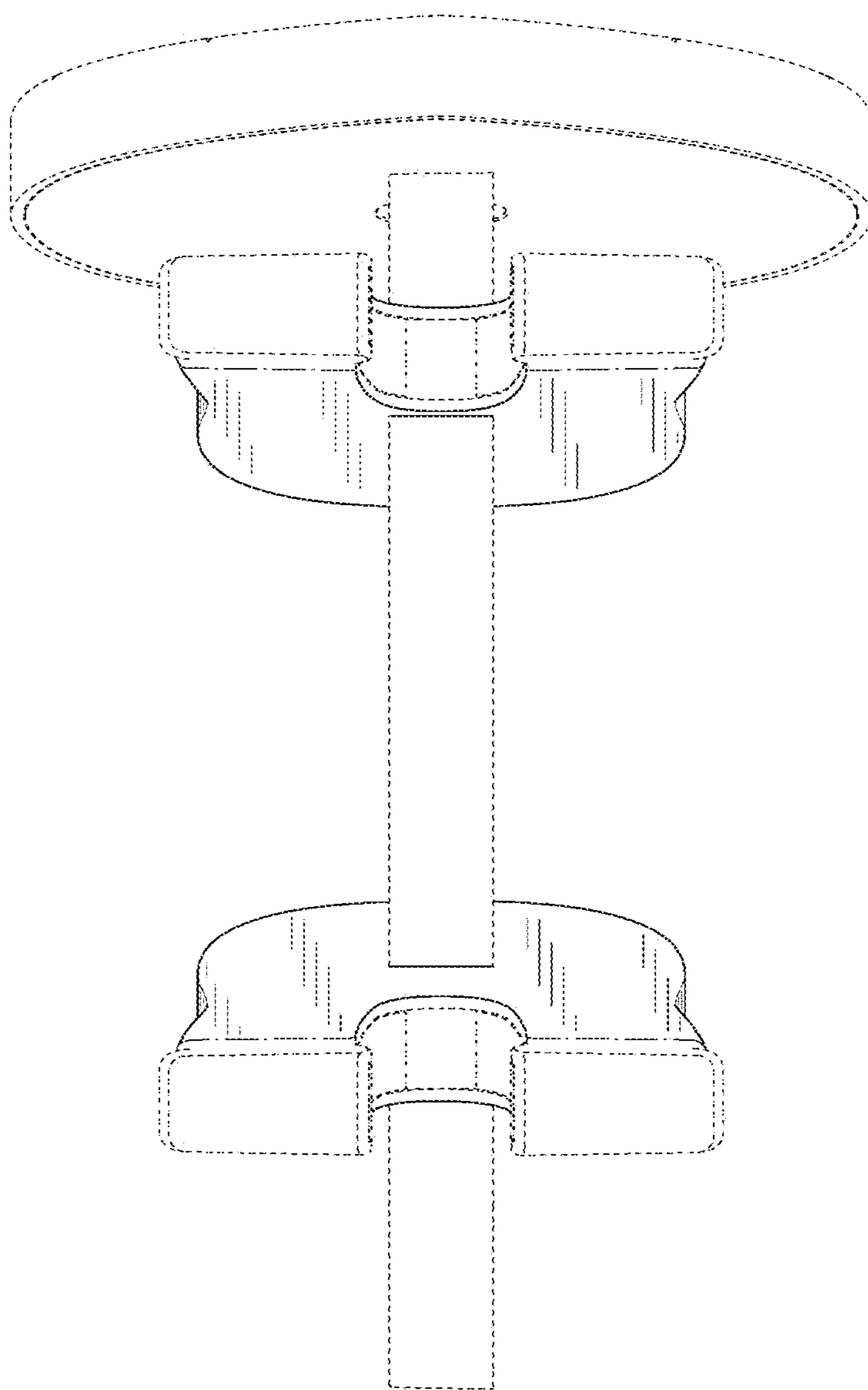


FIG. 4

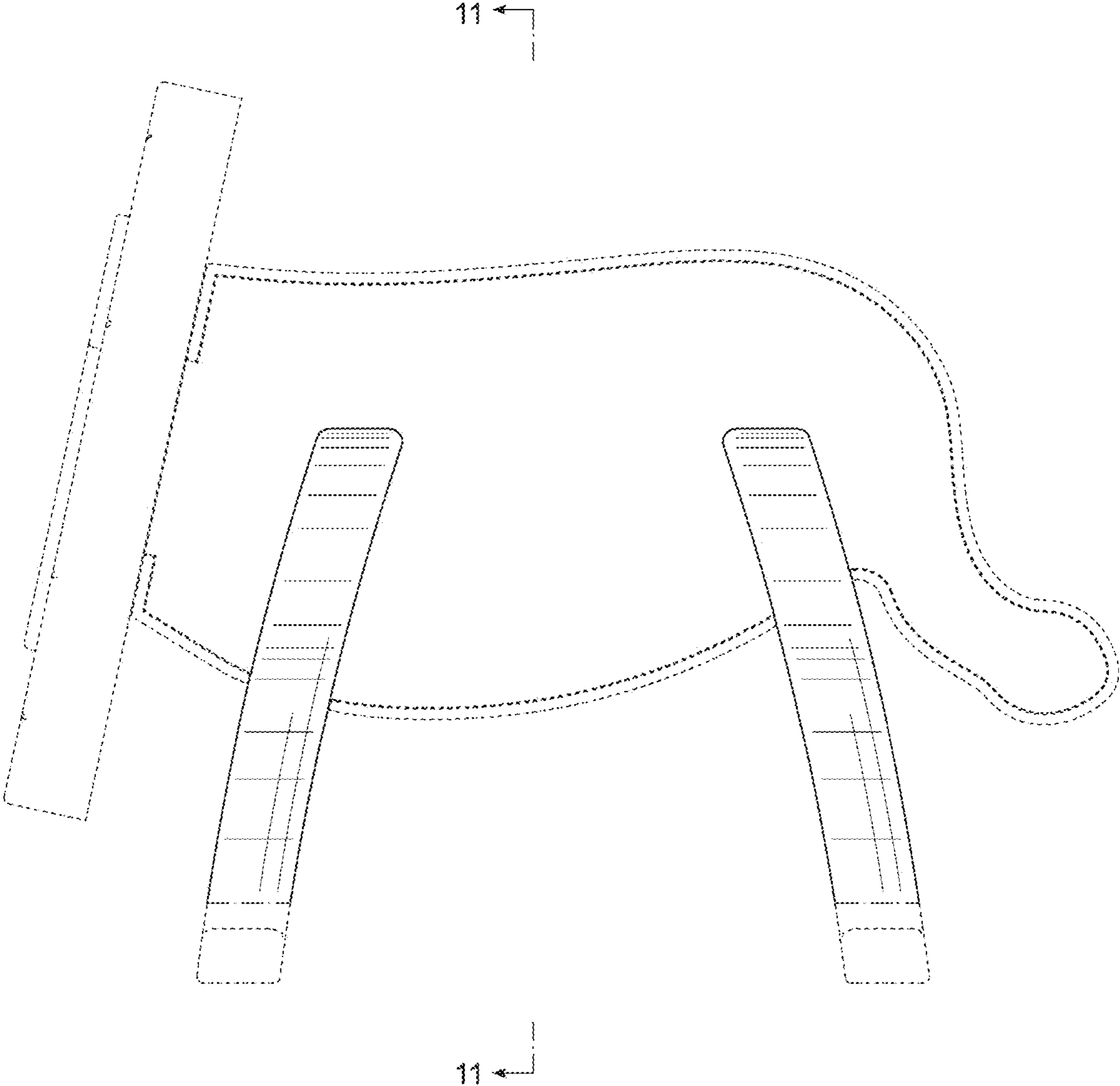


FIG. 5

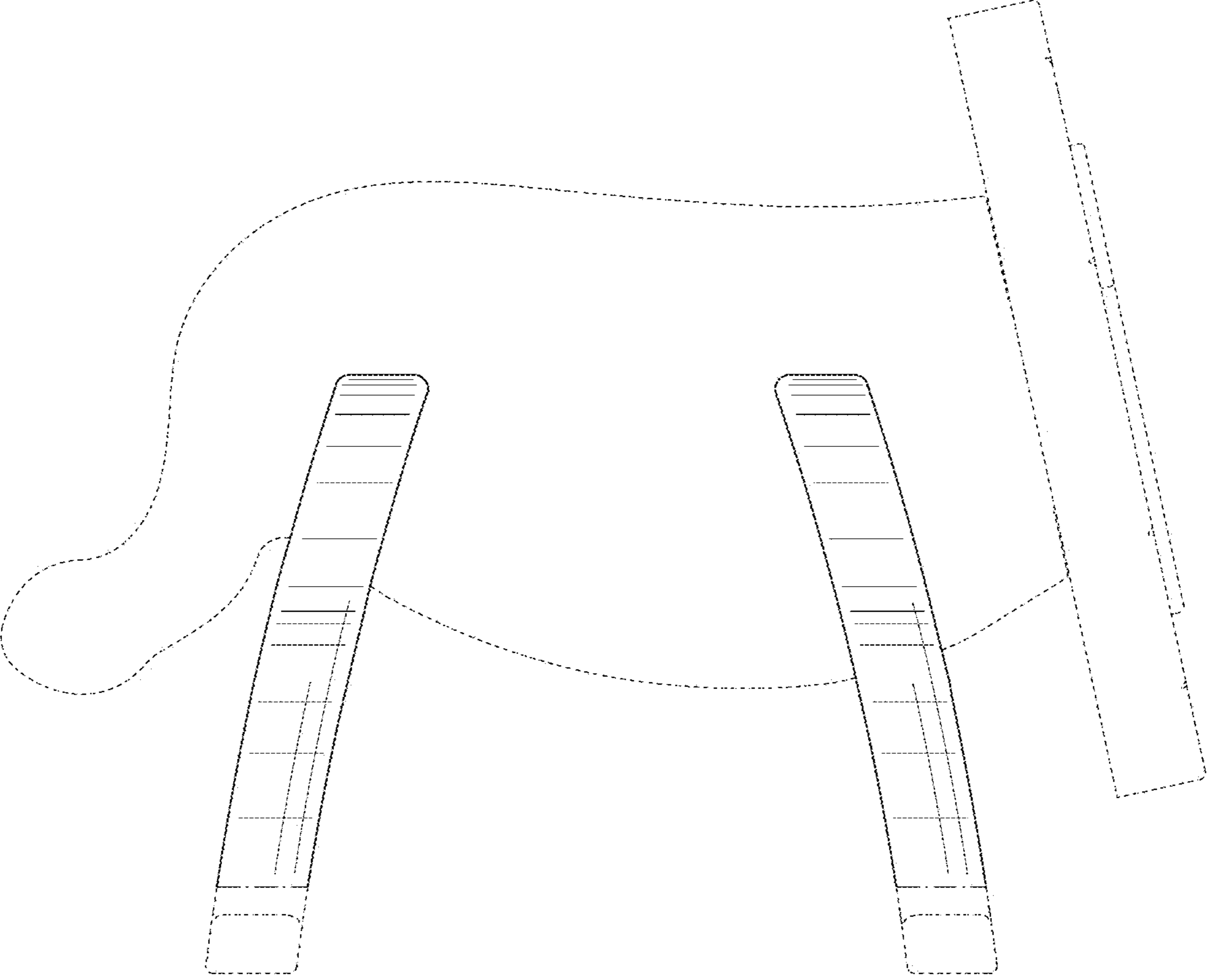


FIG. 6



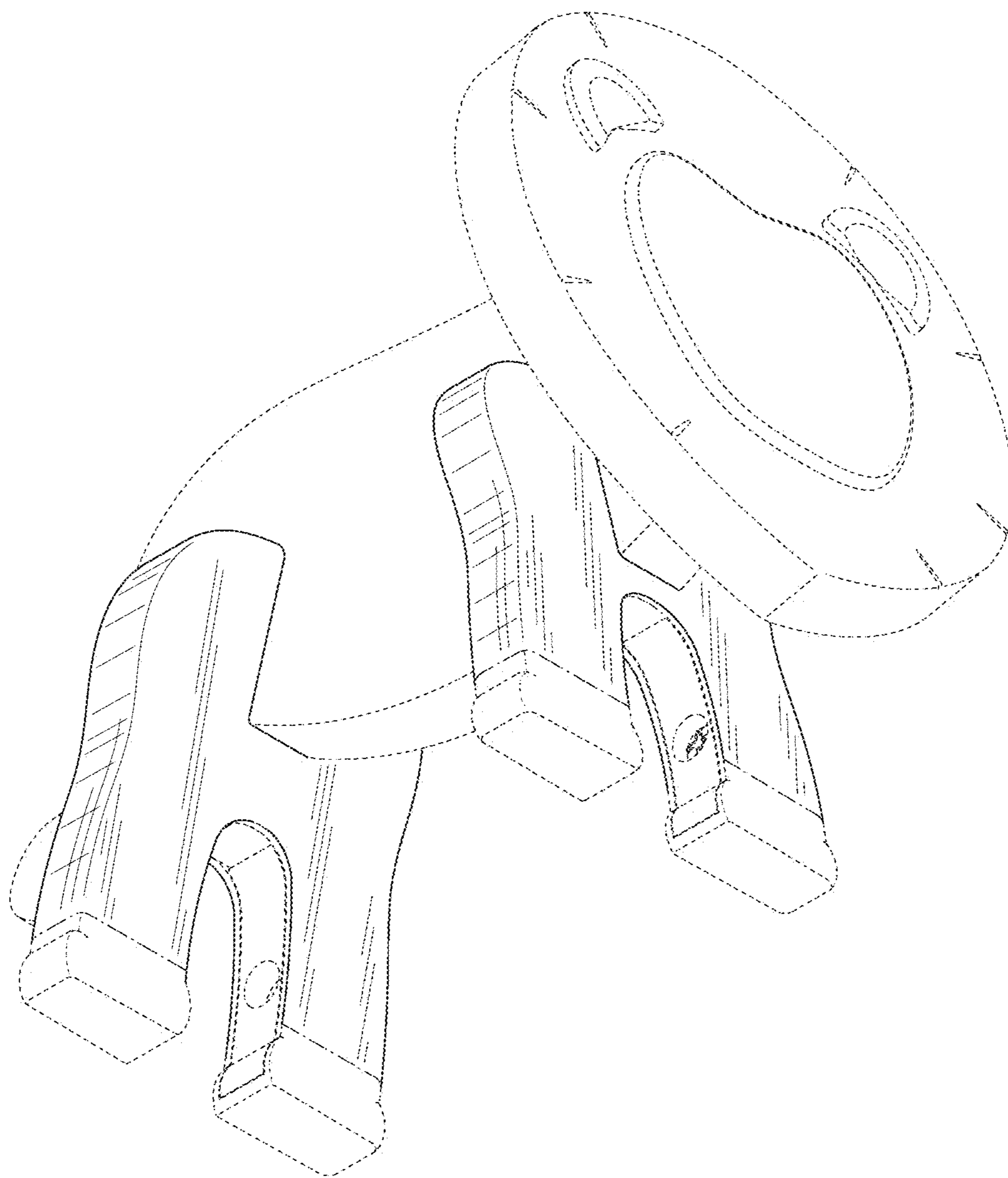


FIG. 7



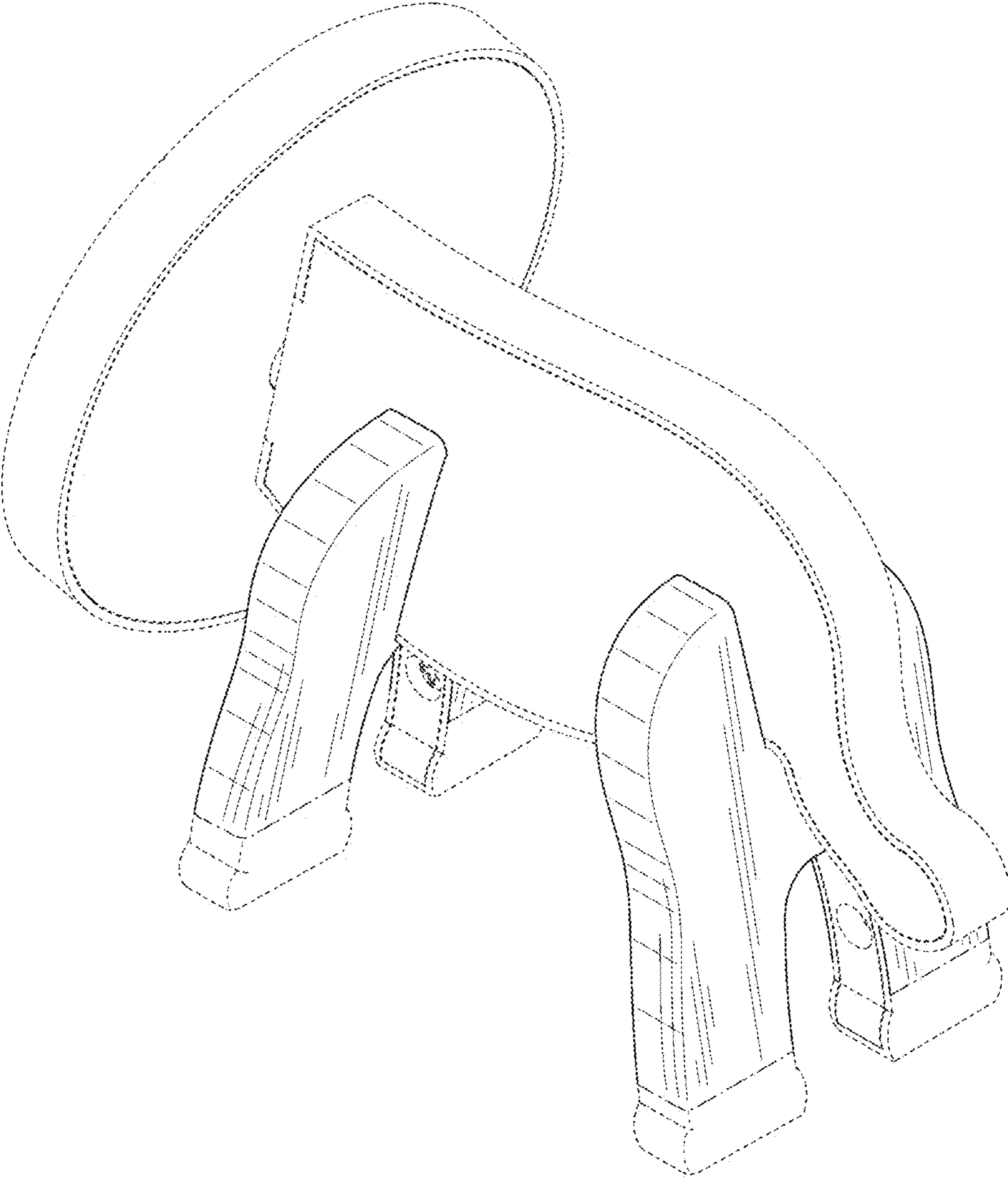


FIG. 8

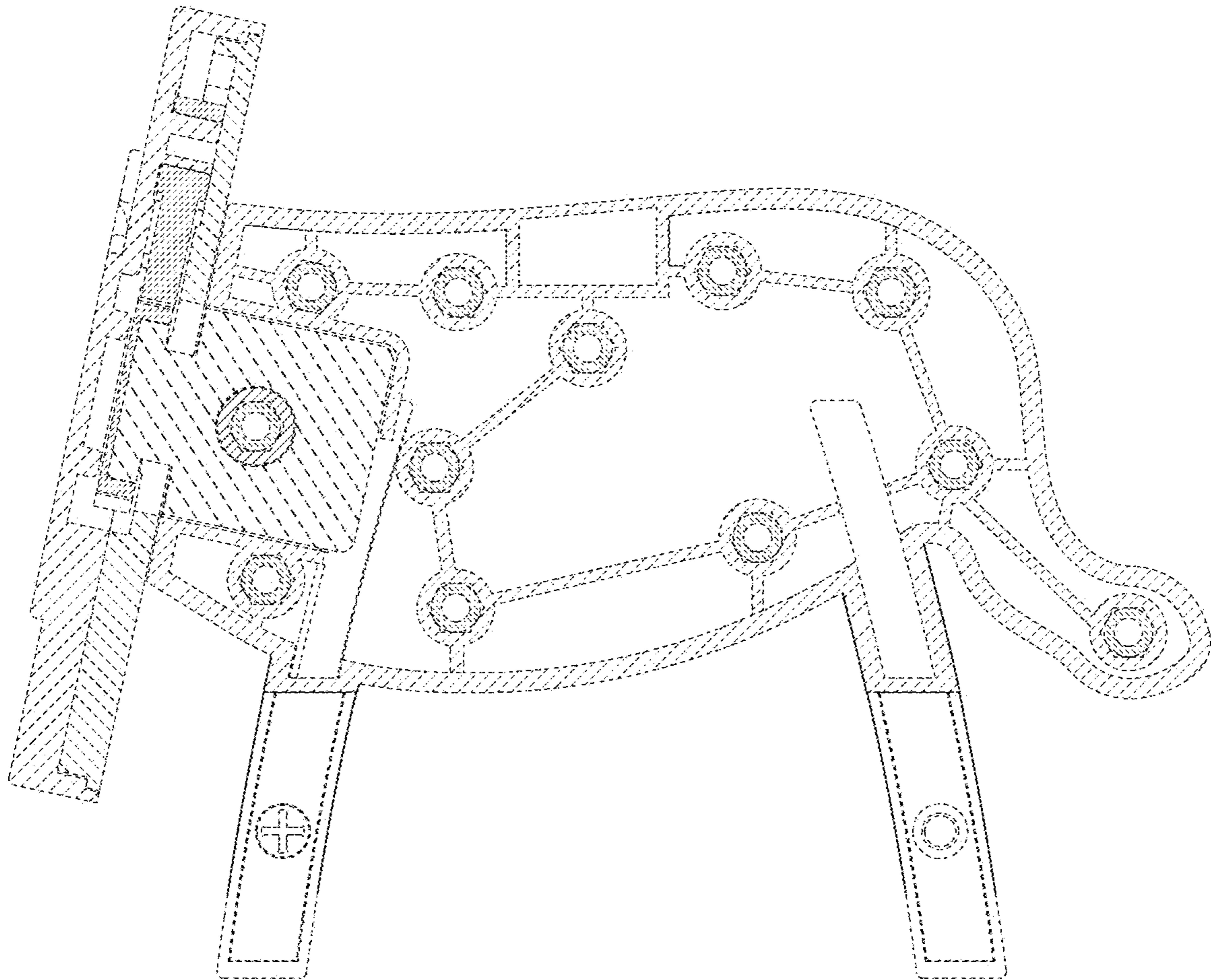


FIG. 9



FIG. 10

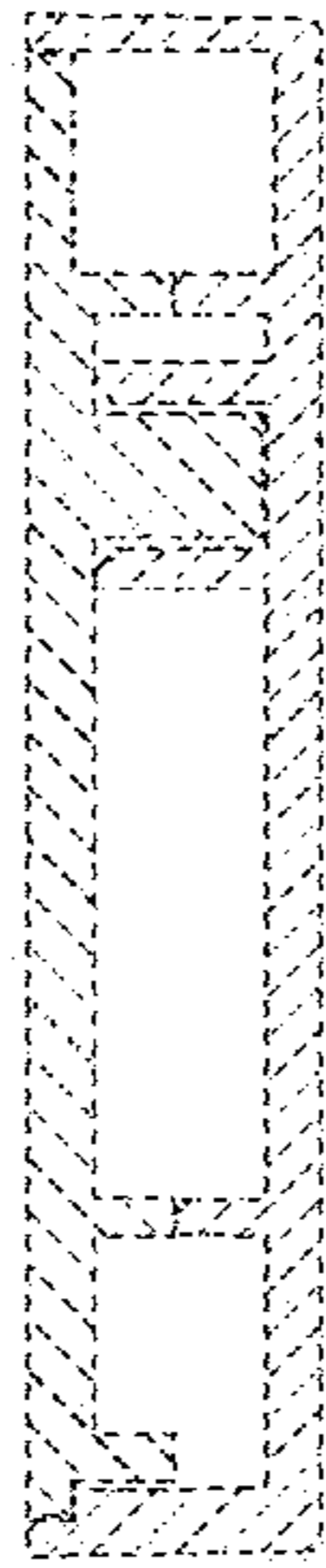


FIG. 11