



US00D942550S

(12) **United States Design Patent**  
**Tong et al.**

(10) **Patent No.:** **US D942,550 S**  
(45) **Date of Patent:** **\*\* Feb. 1, 2022**

(54) **ELECTRIC SCOOTER**

- (71) Applicant: **Wuyi Chuangxin Metal Tools Co. Ltd**, Jinhua (CN)
- (72) Inventors: **Buxing Tong**, Jinhua (CN); **Ke Zhang**, Jinhua (CN)
- (73) Assignee: **WUYI CHUANGXIN METAL TOOLS CO. LTD**, Jinhua (CN)
- (\*\*) Term: **15 Years**

- (21) Appl. No.: **29/745,102**
- (22) Filed: **Aug. 4, 2020**
- (51) **LOC (13) Cl.** ..... **21-01**
- (52) **U.S. Cl.**  
USPC ..... **D21/423**
- (58) **Field of Classification Search**  
USPC ..... D21/419, 421, 423, 760, 765, 771;  
D12/1, 8, 107, 110, 112-114  
CPC . B62K 3/002; B62K 9/00; B62K 9/02; B62K  
2202/00; B62K 13/00; B62K 11/00;  
B62K 11/02; B62K 11/06; B62K 11/10;  
B62K 15/00; B62K 17/00; B60Y  
2200/126; H04W 4/40  
See application file for complete search history.

(56) **References Cited**

**U.S. PATENT DOCUMENTS**

- D654,963 S \* 2/2012 Powers ..... B60K 17/26  
D21/423
- D839,359 S \* 1/2019 Hadley ..... B62K 3/002  
D21/423

(Continued)

**FOREIGN PATENT DOCUMENTS**

- CN 202574510 U \* 12/2012 ..... B62K 3/002
- CN 303635570 \* 4/2016

(Continued)

**OTHER PUBLICATIONS**

“Razor Power Core E100 Electric Scooter Ride Video,” Jan. 23, 2018, youtube.com, site visited Aug. 23, 2021, URL: https://www.youtube.com/watch?v=OK\_qFA8LtOc (Year: 2018).\*  
(Continued)

*Primary Examiner* — Eric L Goodman  
*Assistant Examiner* — Sarah L Smith  
(74) *Attorney, Agent, or Firm* — Bayramoglu Law Offices LLC

(57) **CLAIM**

The ornamental design for an electric scooter, as shown and described.

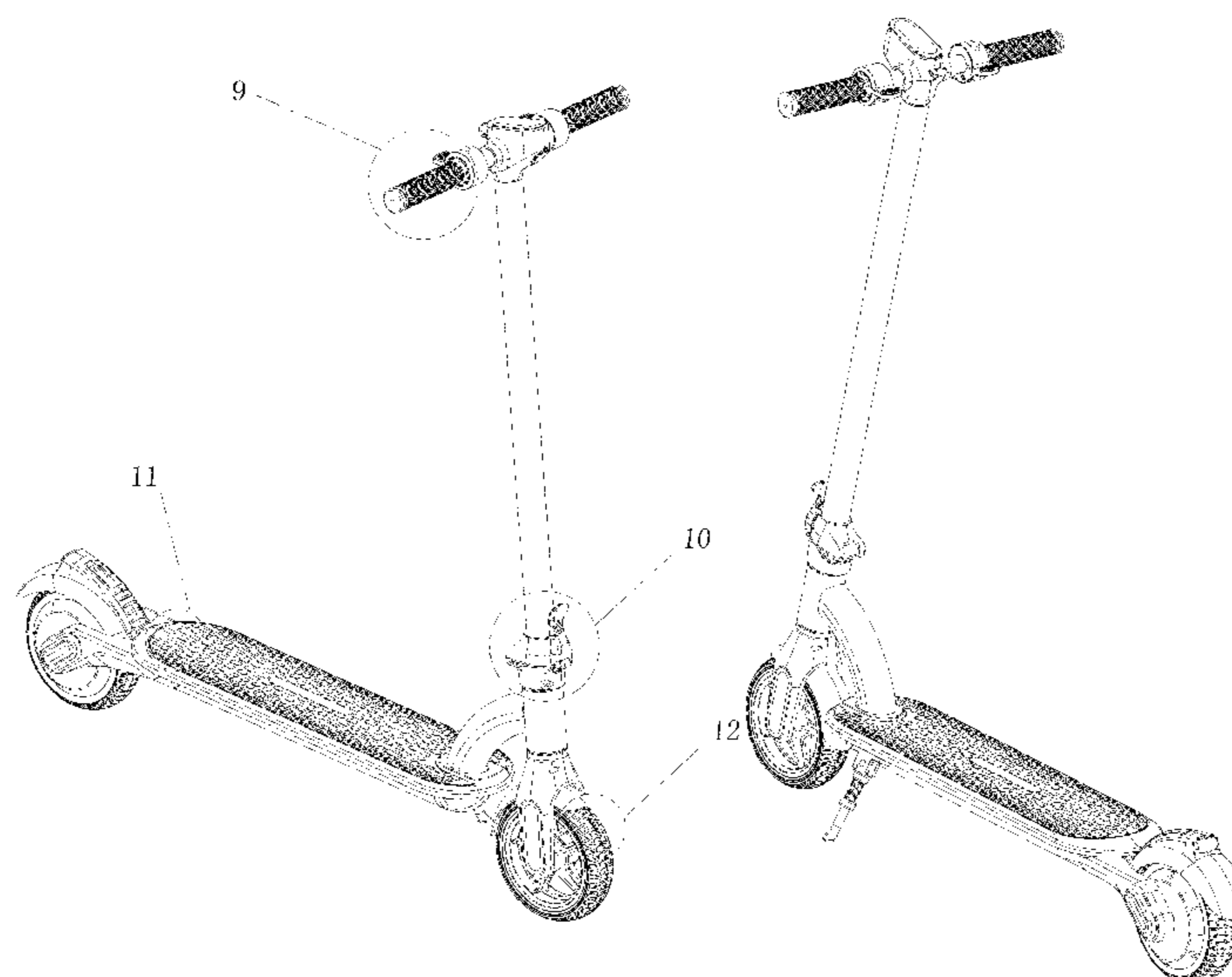
**DESCRIPTION**

FIG. 1 is a front perspective view of an electric scooter showing our new design;  
FIG. 2 is a right side view thereof;  
FIG. 3 is a left side view thereof;  
FIG. 4 is a front view thereof;  
FIG. 5 is a rear view thereof;  
FIG. 6 is a top view thereof;  
FIG. 7 is a bottom view thereof;  
FIG. 8 is a rear perspective view thereof;  
FIG. 9 is a partially enlarged view of the indicated area “9” in FIG. 1;  
FIG. 10 is a partially enlarged view of the indicated area “10” in FIG. 1;  
FIG. 11 is a partially enlarged view of the indicated area “11” in FIG. 1; and,  
FIG. 12 is a partially enlarged view of the indicated area “12” in FIG. 1.

The broken lines depict portions of the electric scooter in which the design is embodied that form no part of the claimed design.

The dot-dash broken lines indicating an enlargement portion of the design form no part of the claimed design.

**1 Claim, 12 Drawing Sheets**



(56)

References Cited

U.S. PATENT DOCUMENTS

D877,257 S \* 3/2020 Cao ..... D21/423  
 D890,852 S \* 7/2020 Yang ..... D21/423  
 D910,766 S \* 2/2021 Hadley ..... D21/423  
 D911,456 S \* 2/2021 Yu ..... D21/423  
 D911,457 S \* 2/2021 Yu ..... D21/423  
 D916,985 S \* 4/2021 Wu ..... D21/423  
 D919,712 S \* 5/2021 Gao ..... D21/423  
 D923,103 S \* 6/2021 Zheng ..... D21/423  
 2013/0320648 A1 \* 12/2013 Eckert ..... B62K 3/002  
 280/279  
 2017/0361765 A1 \* 12/2017 Sung ..... B60Q 1/346  
 2018/0086400 A1 \* 3/2018 Cordero ..... B62K 15/008  
 2019/0263468 A1 \* 8/2019 Huang ..... B60K 17/26  
 2020/0102032 A1 \* 4/2020 Huang ..... B62H 5/04  
 2020/0283086 A1 \* 9/2020 Ulmen ..... B62L 1/00

FOREIGN PATENT DOCUMENTS

CN 106005189 A \* 10/2016 ..... B62K 3/002  
 CN 106428352 A \* 2/2017 ..... B62K 21/12

CN 304807124 \* 9/2018  
 CN 305760223 \* 5/2020 ..... B62K 3/002  
 CN 111703528 A \* 9/2020  
 DE 102018107492 A1 \* 10/2019 ..... B62K 3/002  
 DE 202020104565 U1 \* 8/2020 ..... B62K 21/12  
 DE 202020104564 U1 \* 9/2020 ..... B62J 43/10  
 EP 3712048 A1 \* 9/2020 ..... B62J 11/10

OTHER PUBLICATIONS

Nick Statt, "A Cyclone of Scooters Has Descended on Austin for SXSW, for Better or Worse," Mar. 11, 2019, theverge.com, site visited Aug. 23, 2021, URL: <https://www.theverge.com/2019/3/11/18260154/austin-scooters-bird-lime-uber-jump-sxsw-2019-dangerous-future-urban-transit> (Year: 2019).\*

"Pureelectric\_uk Now that's how to end a Monday," Jun. 24, 2019, instagram.com, site visited Aug. 23, 2021, URL: <https://www.instagram.com/p/BzGkqwhBYY7/> (Year: 2019).\*

\* cited by examiner

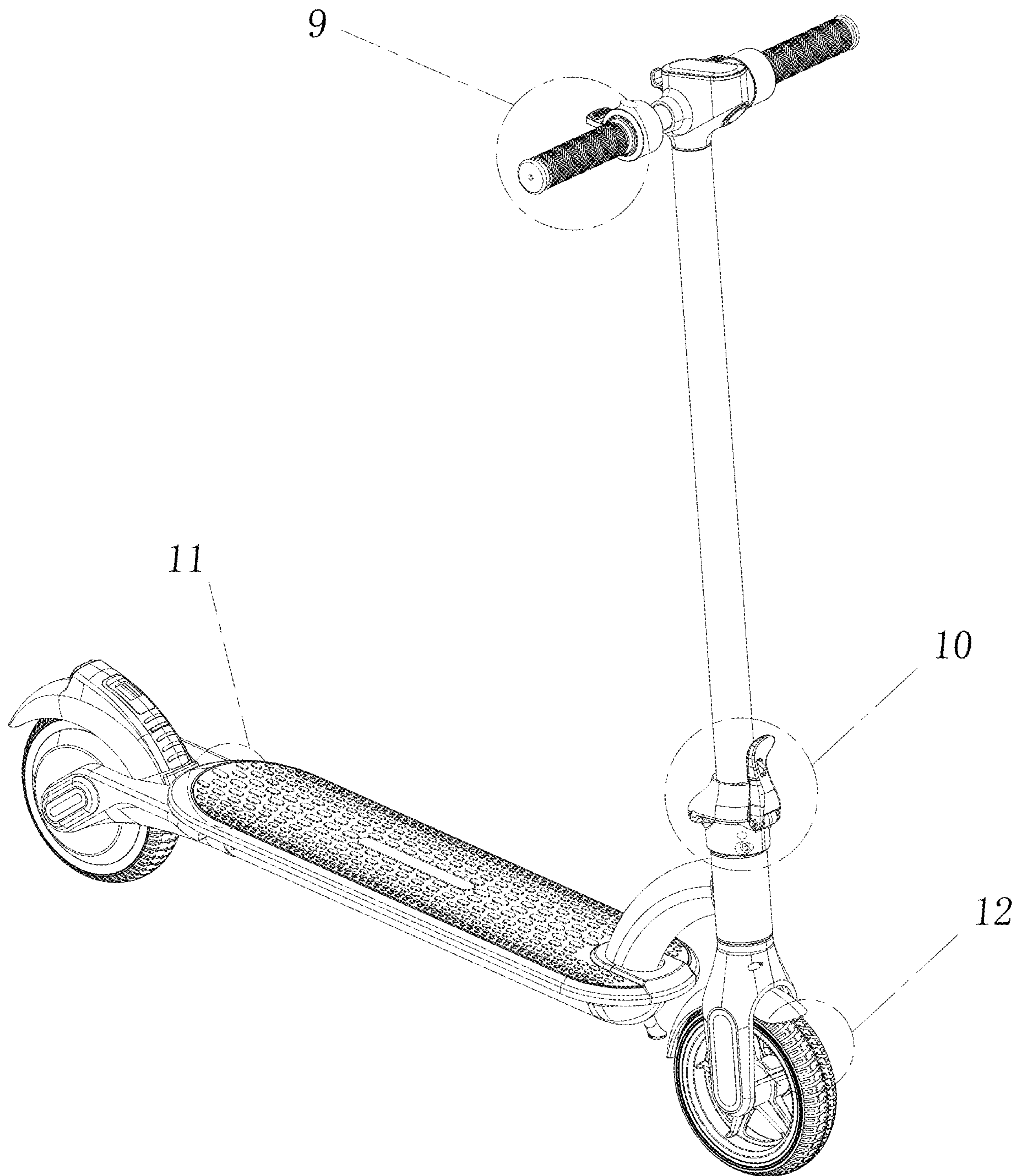


FIG. 1

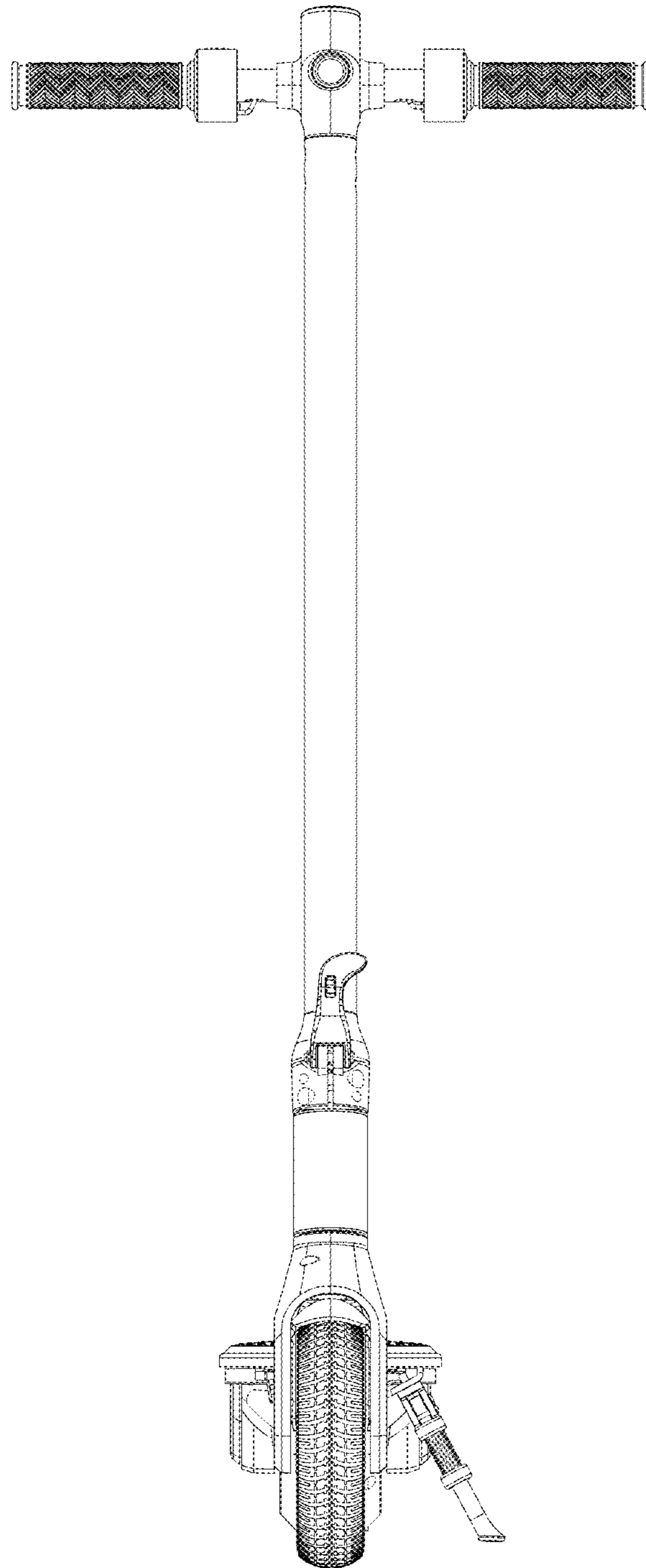


FIG. 2

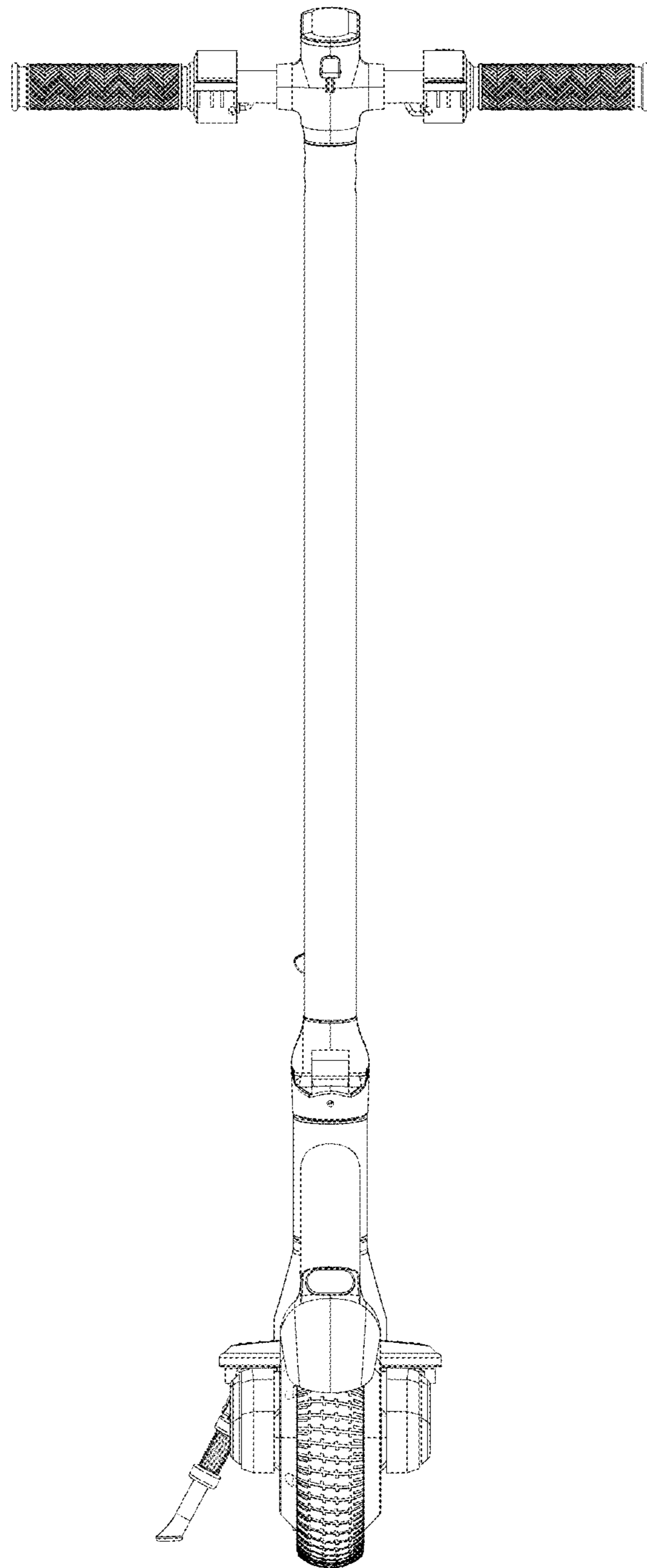


FIG. 3

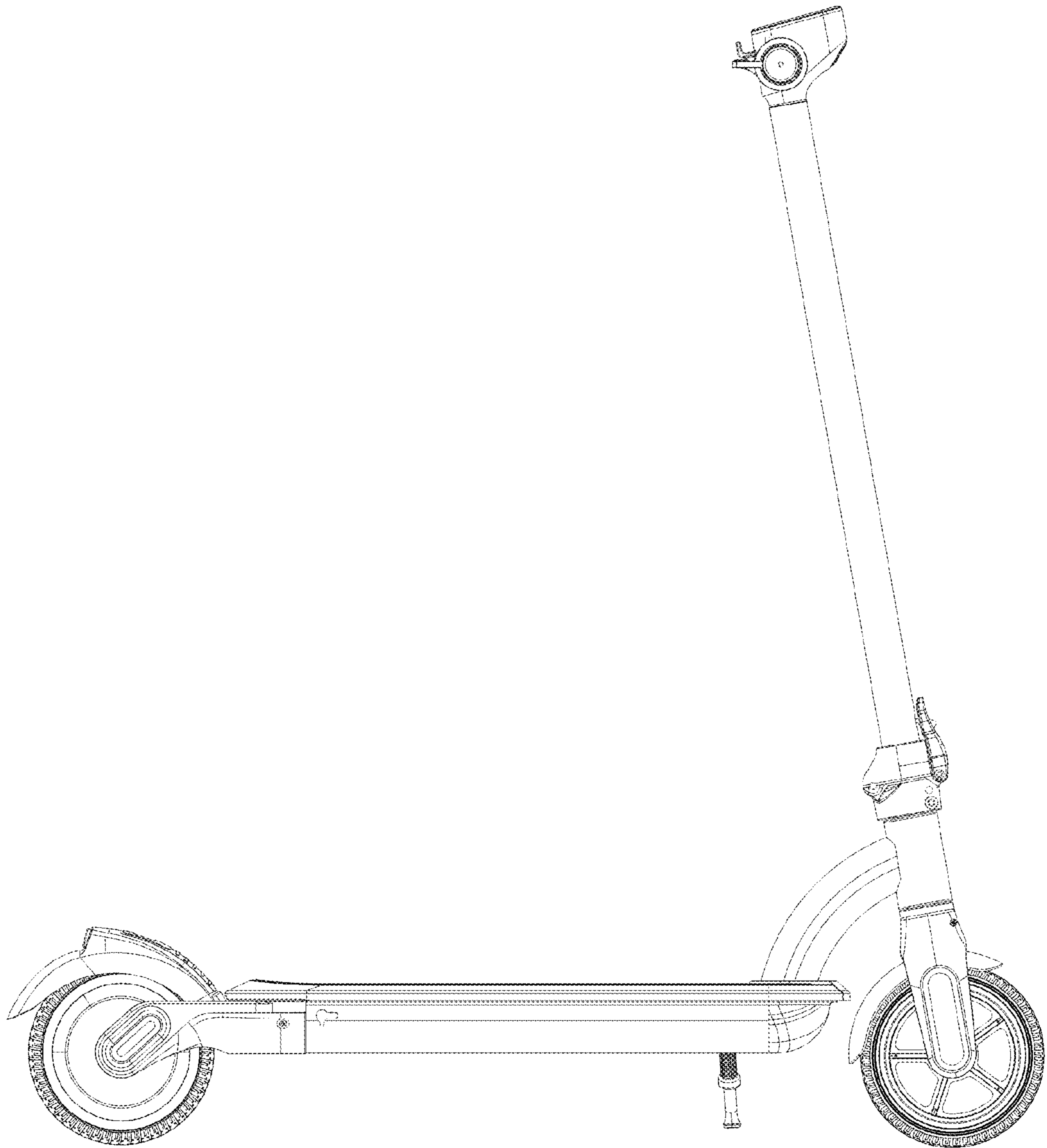


FIG. 4

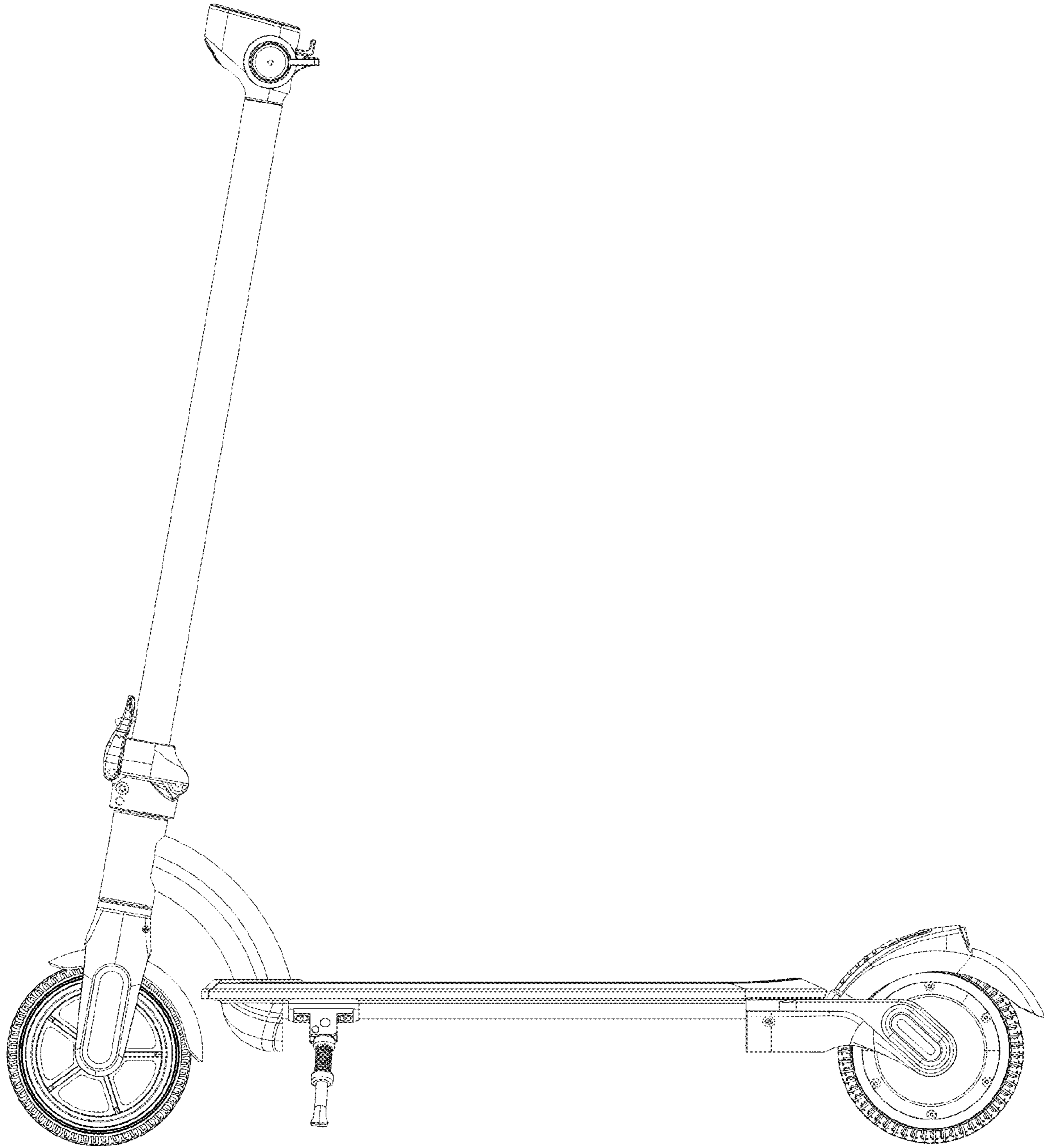


FIG. 5

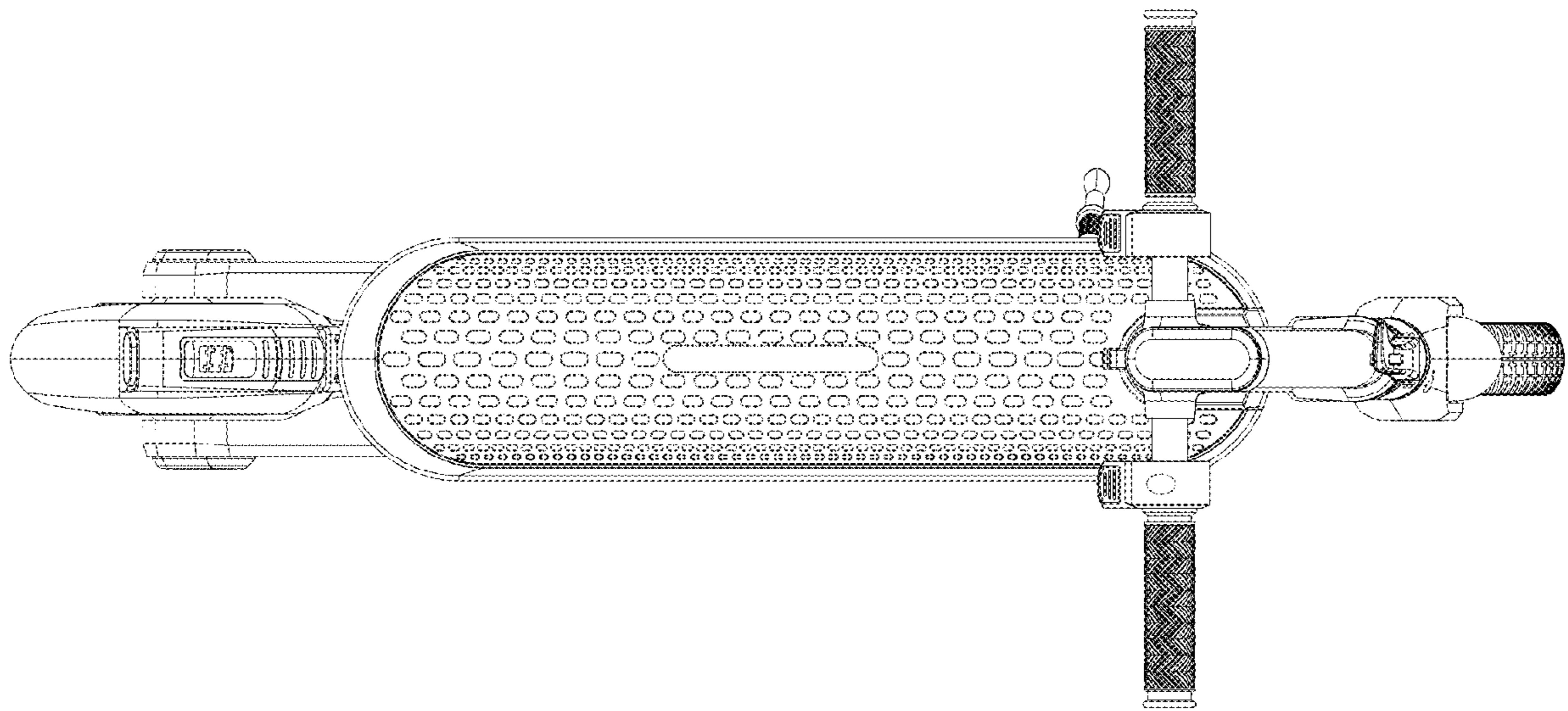


FIG. 6



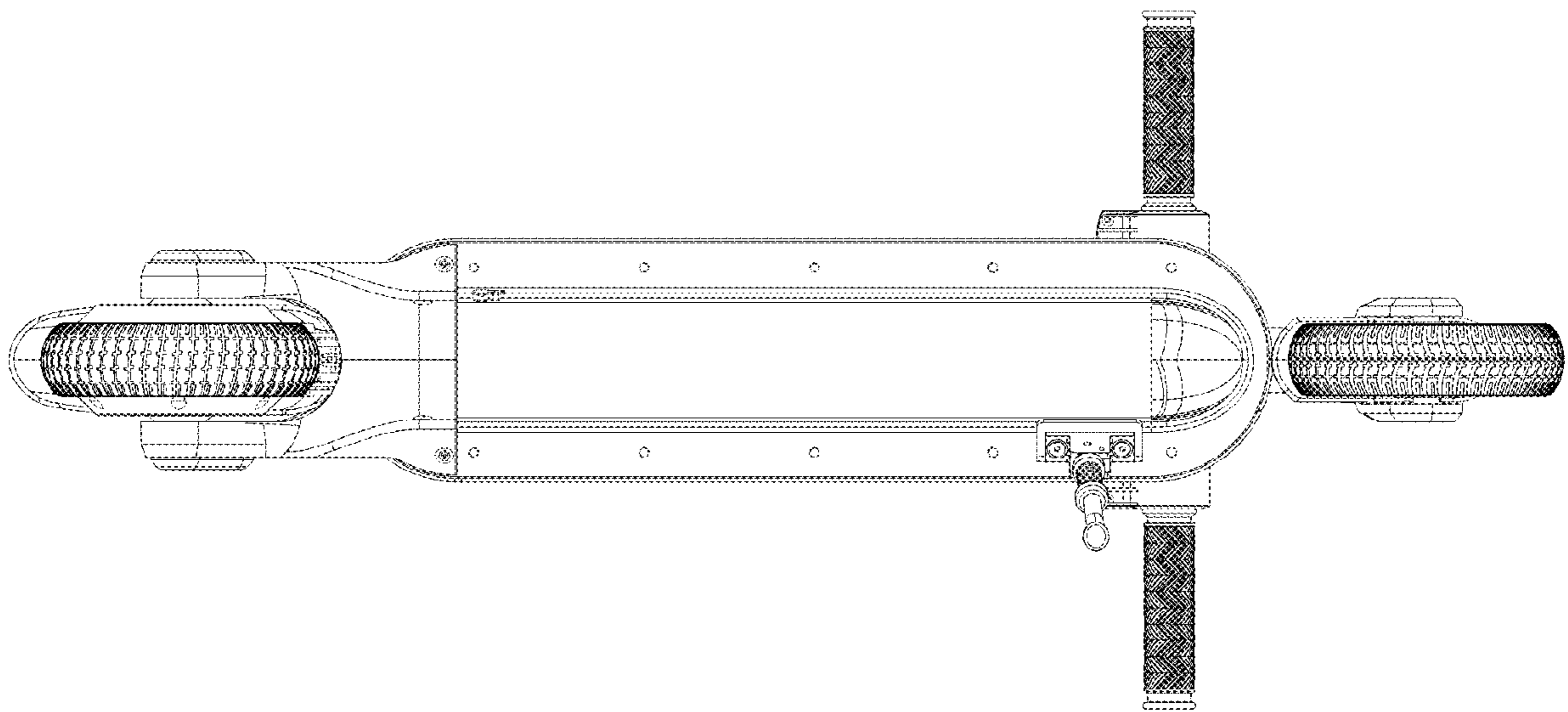


FIG. 7

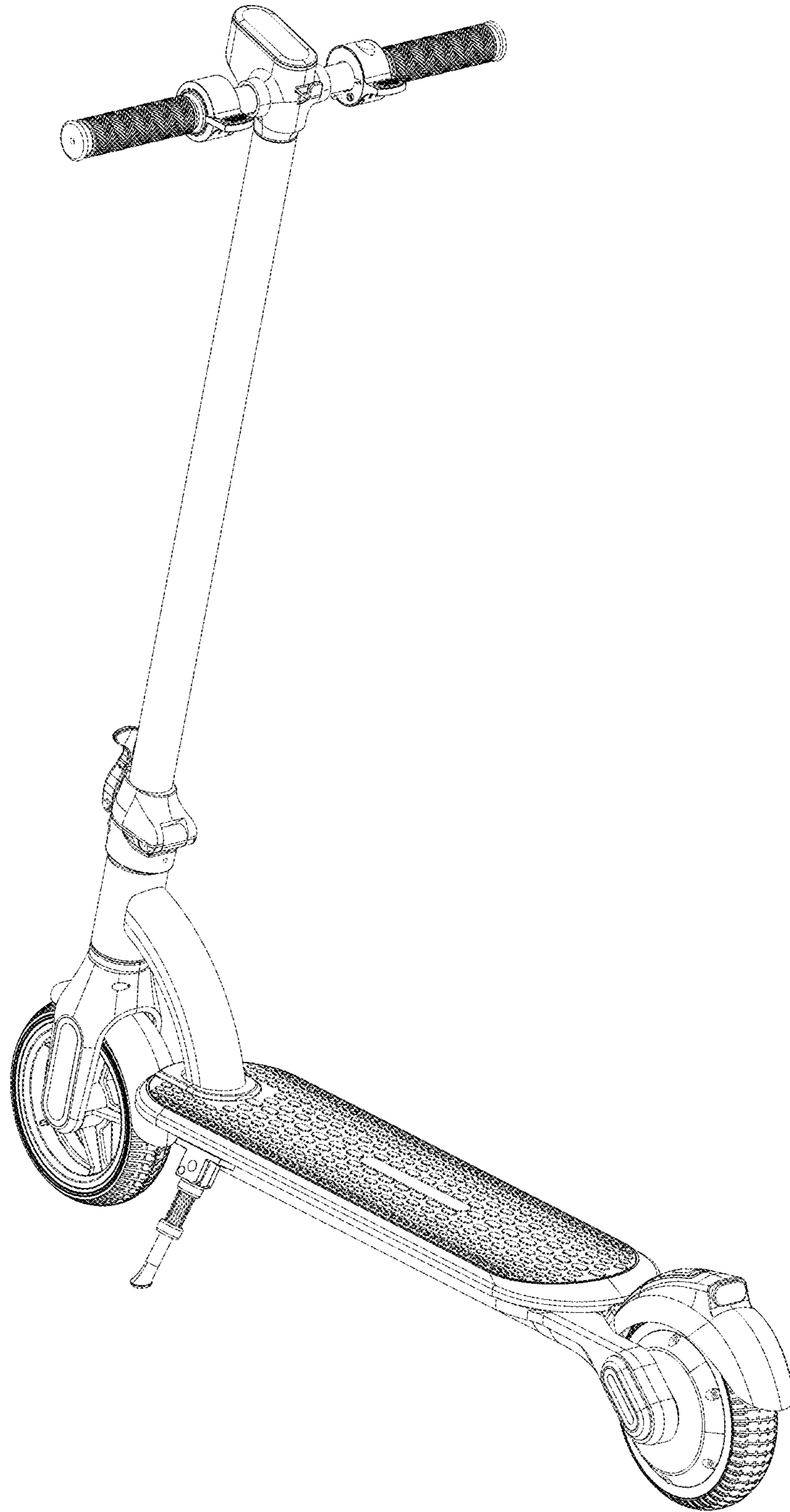


FIG. 8

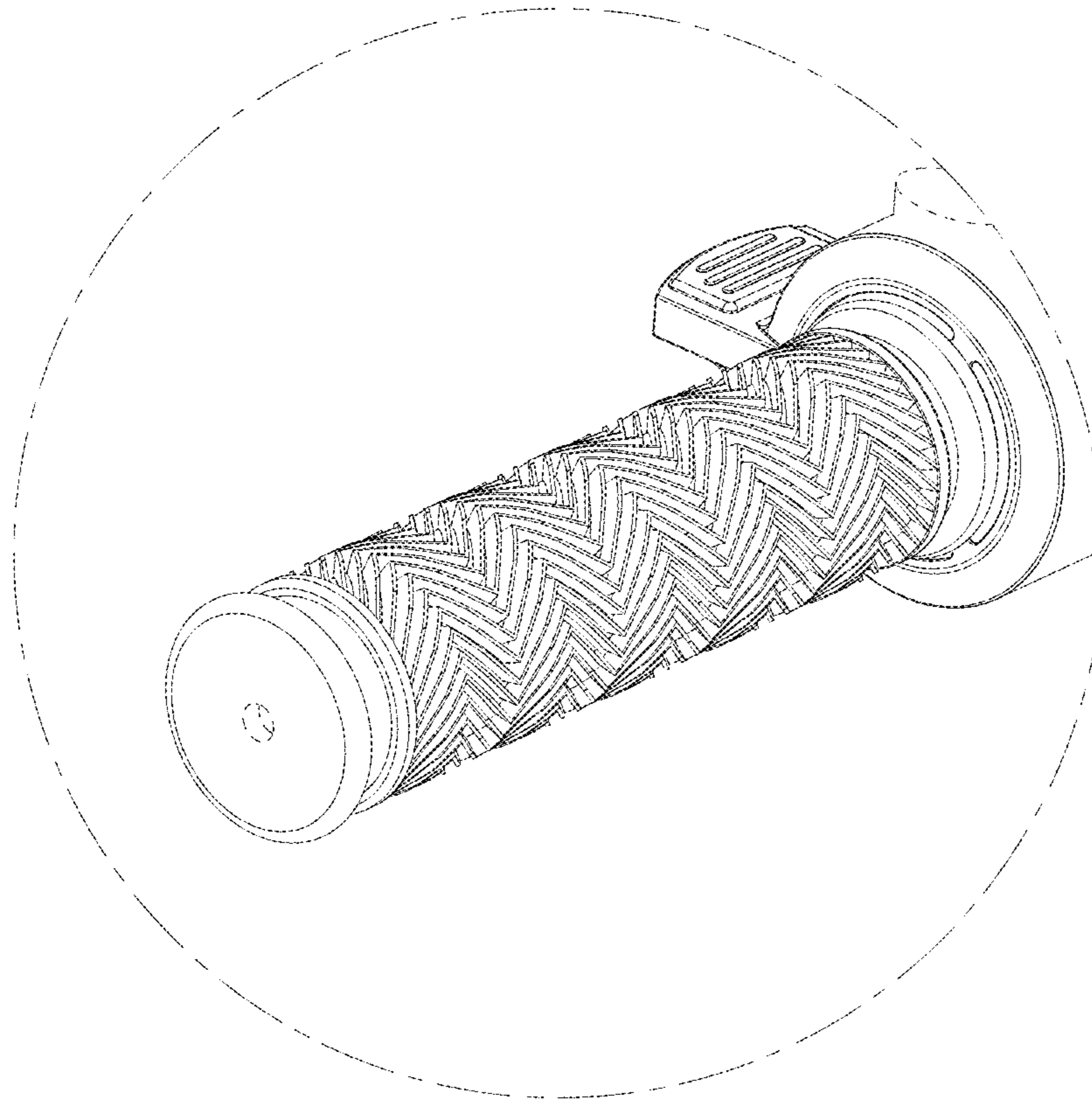


FIG. 9

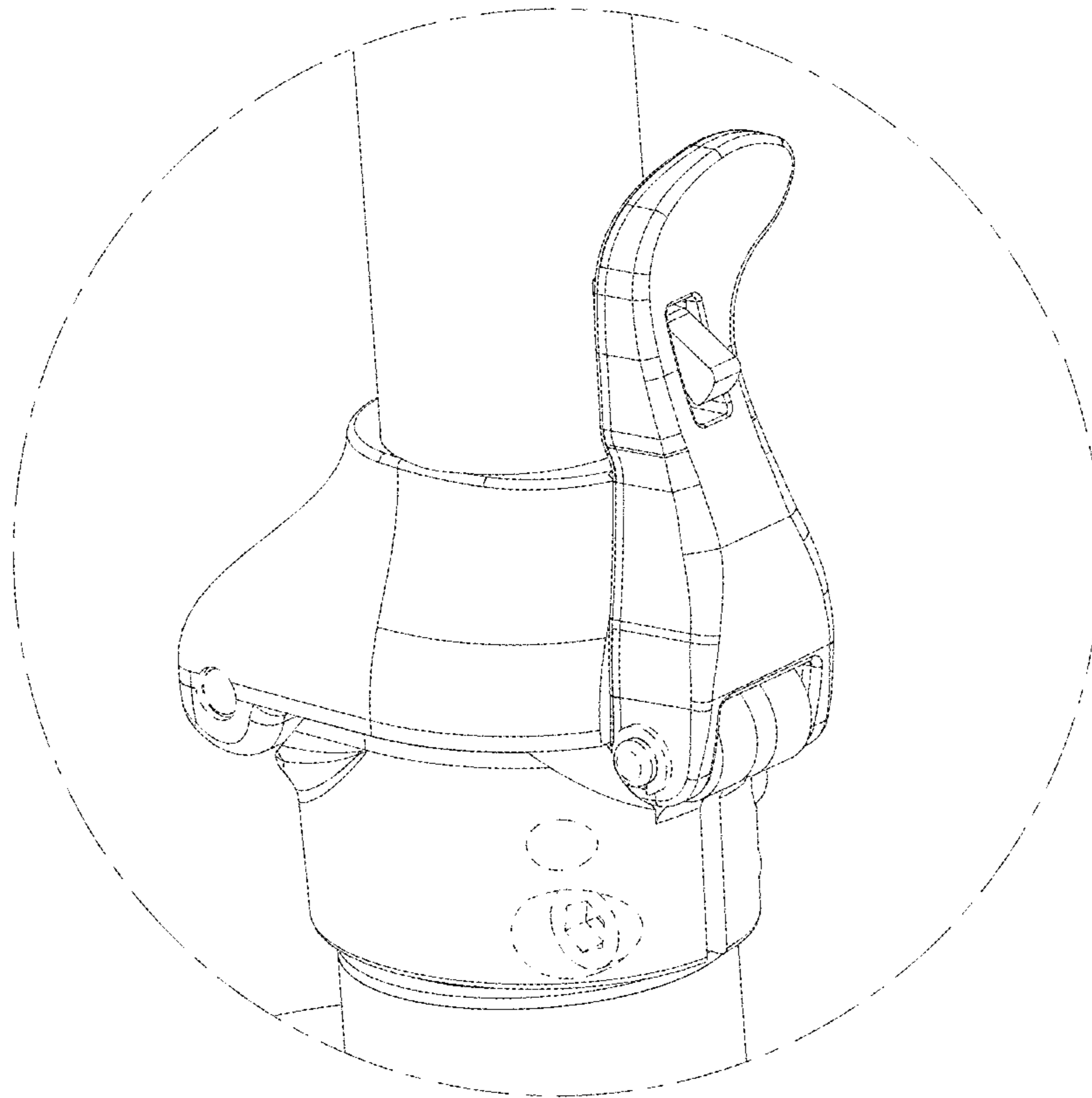


FIG. 10

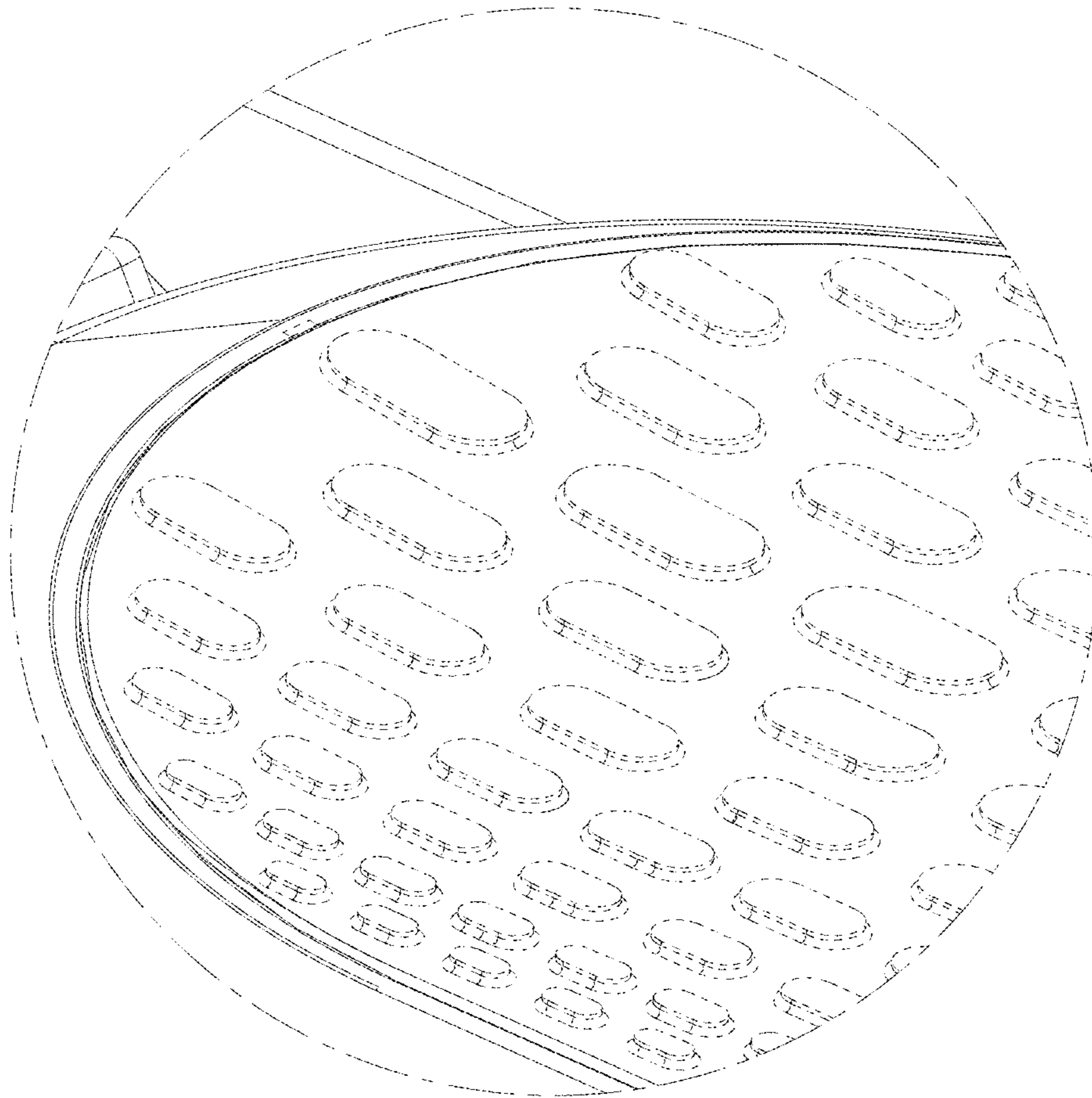


FIG. 11

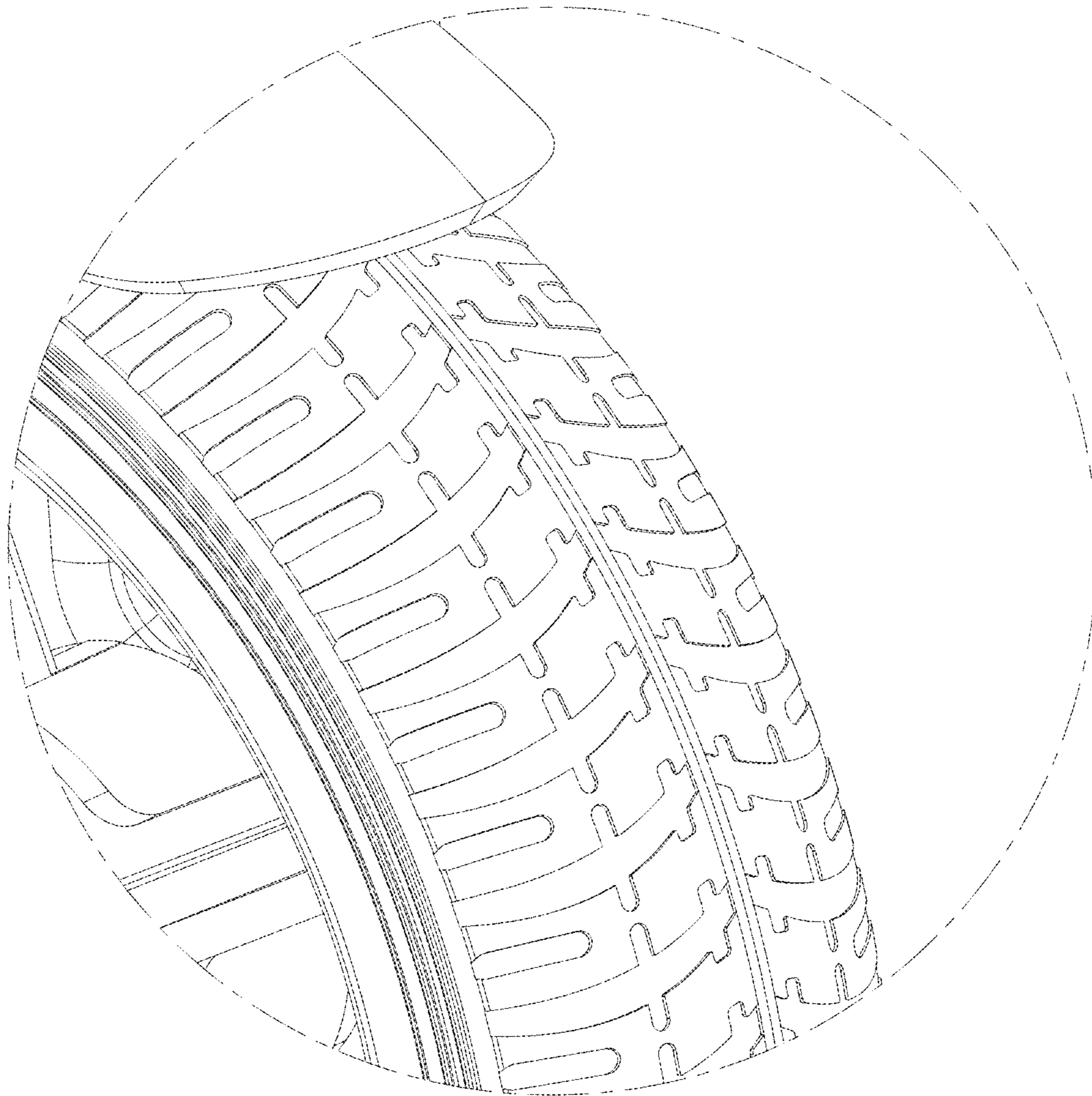


FIG. 12