



US00D942549S

(12) **United States Design Patent** (10) **Patent No.:** **US D942,549 S**
Mo (45) **Date of Patent:** **** Feb. 1, 2022**

(54) **ELECTRIC SCOOTER**
(71) Applicant: **UNAGI INC.**, Oakland, CA (US)
(72) Inventor: **JinHua Mo**, Dongguan (CN)
(73) Assignee: **UNAGI INC.**, Oakland, CA (US)
(**) Term: **15 Years**
(21) Appl. No.: **29/671,741**
(22) Filed: **Nov. 29, 2018**
(51) **LOC (13) Cl.** **21-01**
(52) **U.S. Cl.**
USPC **D21/423**
(58) **Field of Classification Search**
USPC D21/419, 421, 423, 760, 765, 771;
D12/1, 8, 107, 110, 112, 113, 114
CPC B62K 3/002; B62K 9/00; B62K 2202/00;
B60Y 2200/126
See application file for complete search history.

D806,176 S * 12/2017 Peng D21/423
D829,826 S * 10/2018 Liu D21/423
D839,358 S * 1/2019 Cao D21/423
D849,153 S * 5/2019 Zhang D21/423
D858,646 S * 9/2019 Yang D21/423
D858,647 S * 9/2019 Liu D21/423
D860,917 S * 9/2019 Tan D12/423

* cited by examiner

Primary Examiner — Cynthia M. Chin
(74) *Attorney, Agent, or Firm* — Bayramoglu Law Offices LLC

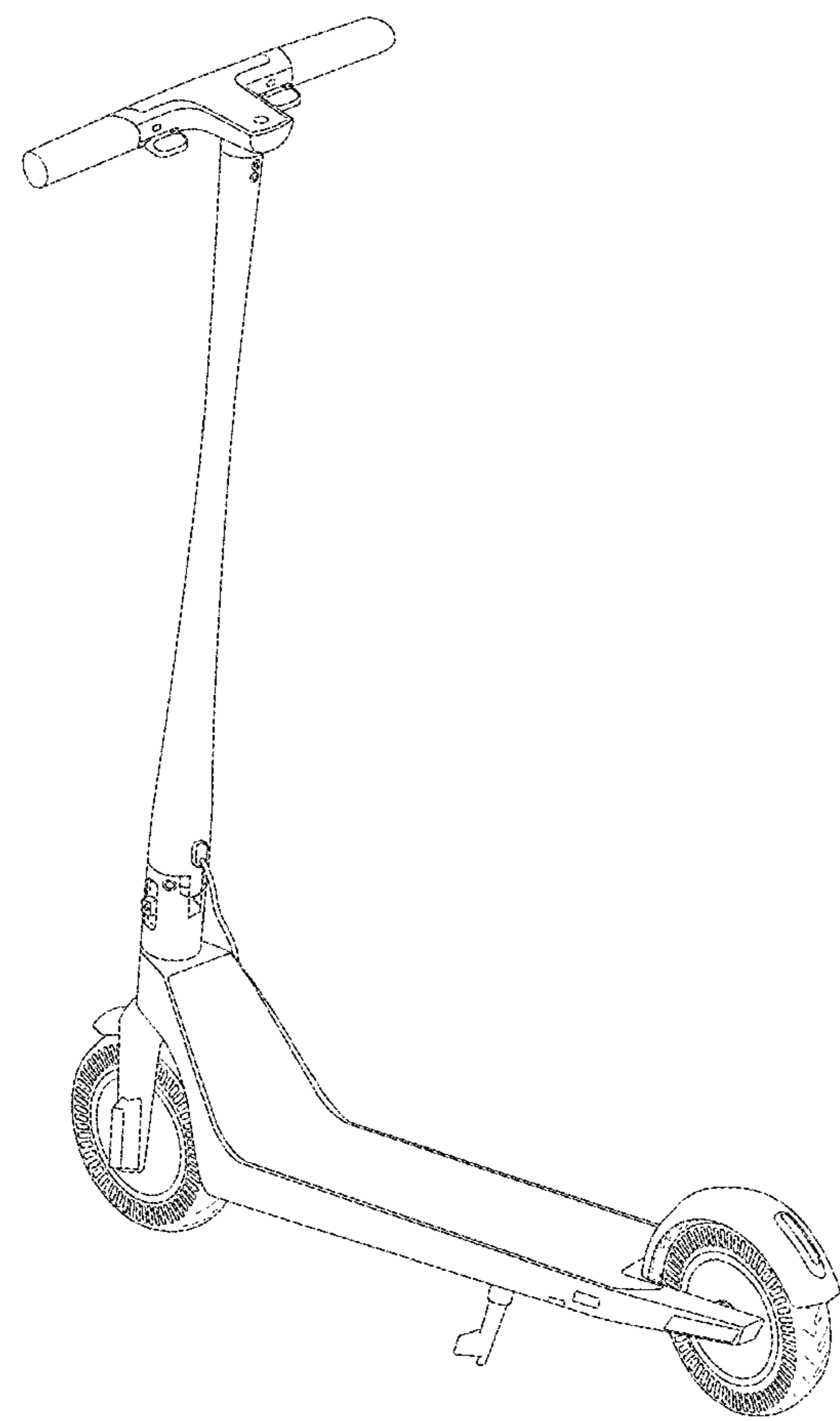
(57) **CLAIM**
I claim, the ornamental design for an electric scooter, as shown and described.

DESCRIPTION

FIG. 1 is a perspective view of an electric scooter, showing my new design;
FIG. 2 is a front view thereof;
FIG. 3 is a back side view thereof;
FIG. 4 is a left side view thereof;
FIG. 5 is a right side view thereof
FIG. 6 is a top side view thereof; and,
FIG. 7 is a bottom side view thereof.
The broken lines are for the purpose of illustrating portions of the article that form no part of the claimed design.

1 Claim, 7 Drawing Sheets

(56) **References Cited**
U.S. PATENT DOCUMENTS
D654,963 S * 2/2012 Powers D21/423
8,925,935 B2 * 1/2015 Powers B62K 15/00
280/655.1



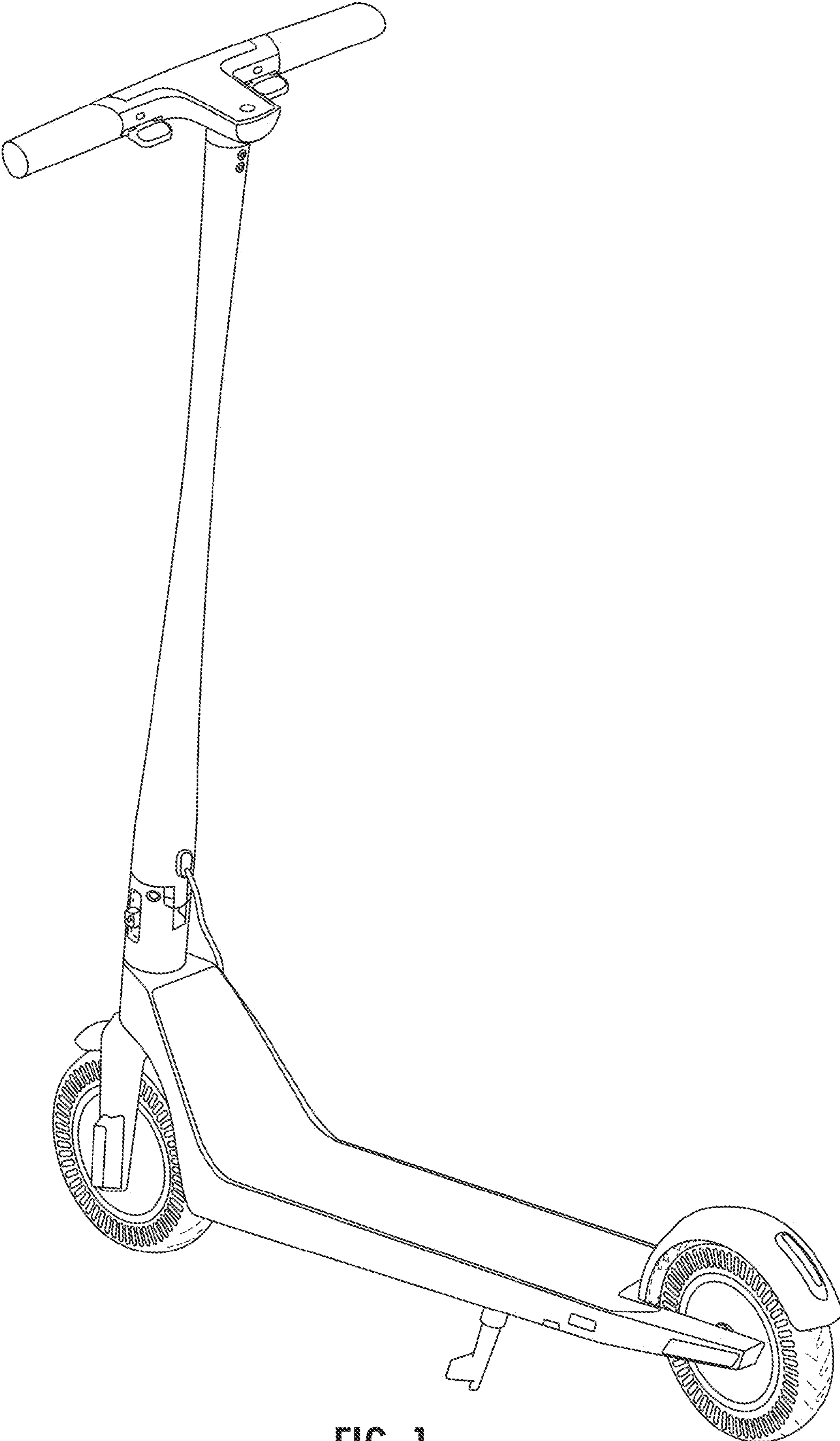


FIG. 1

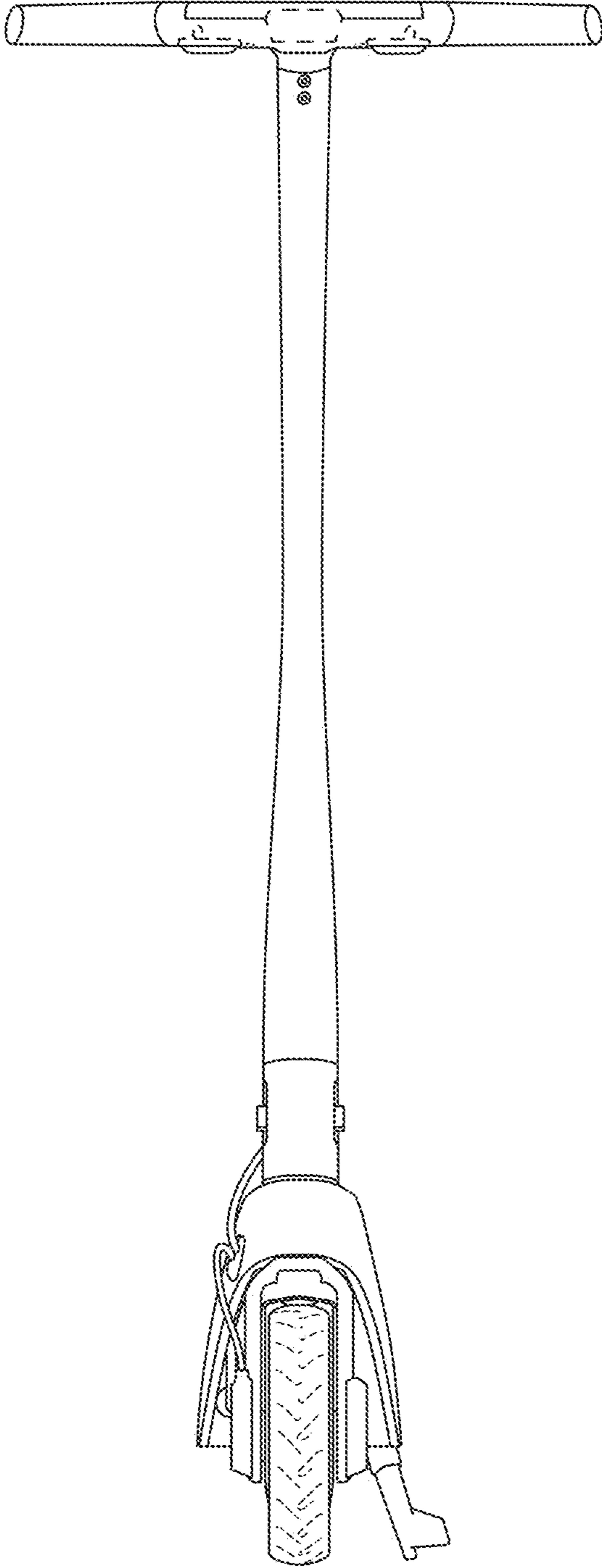


FIG. 2

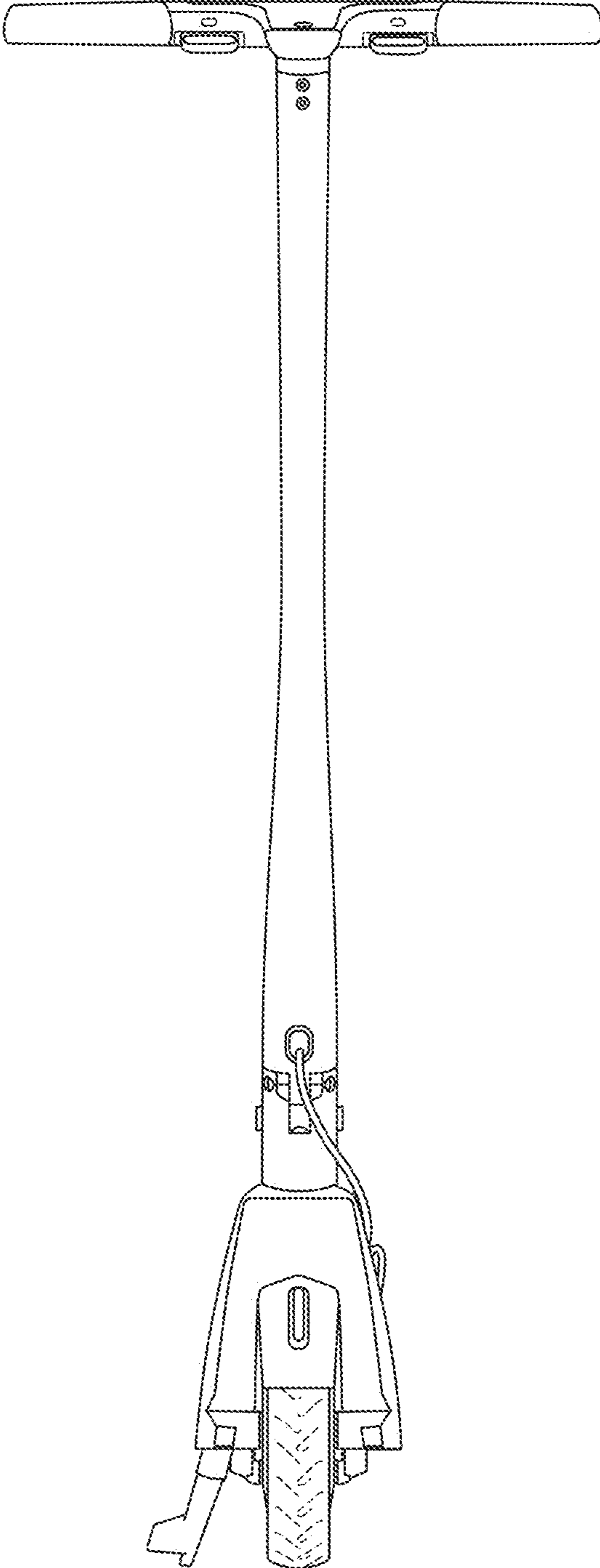


FIG. 3

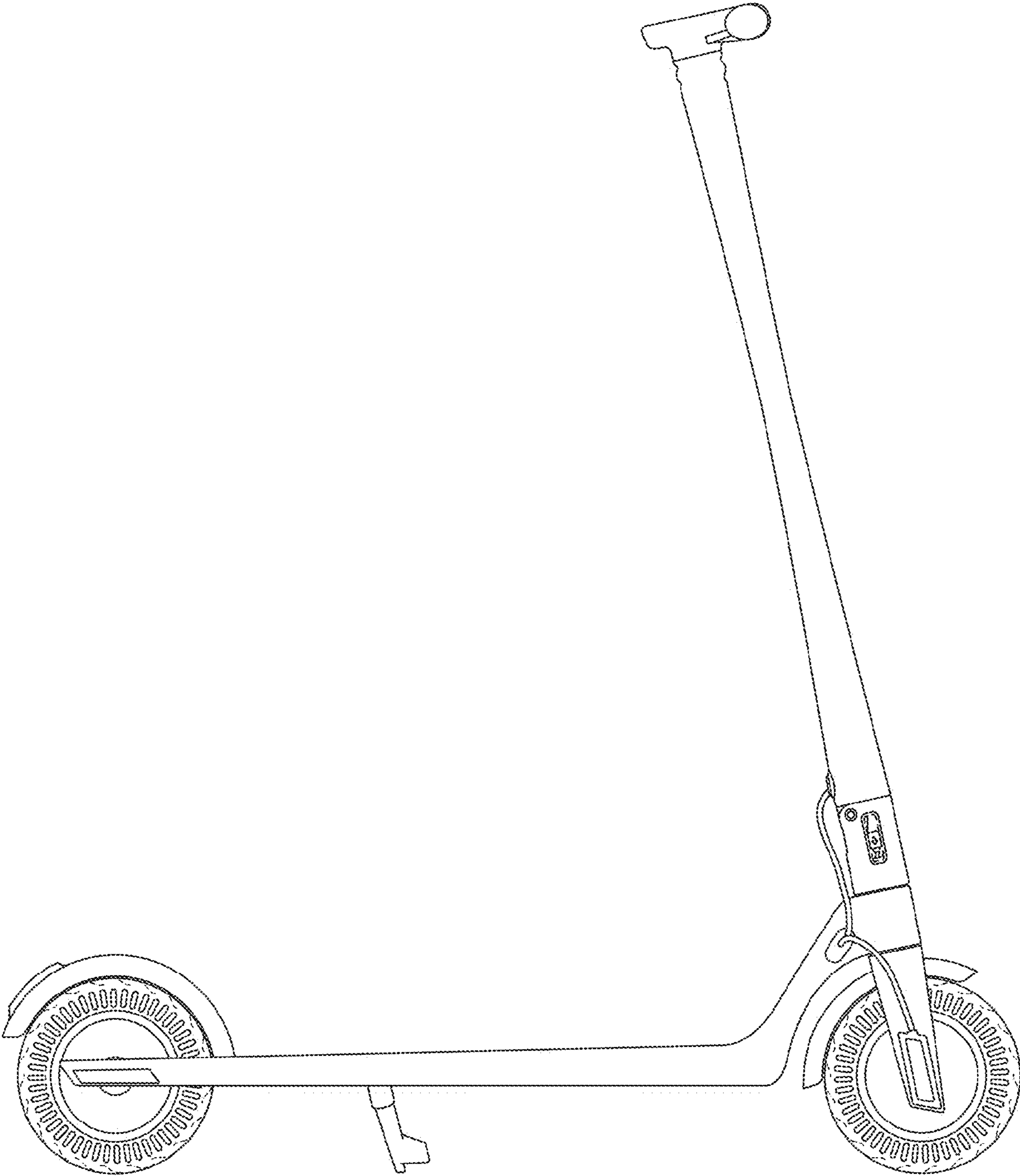


FIG. 4

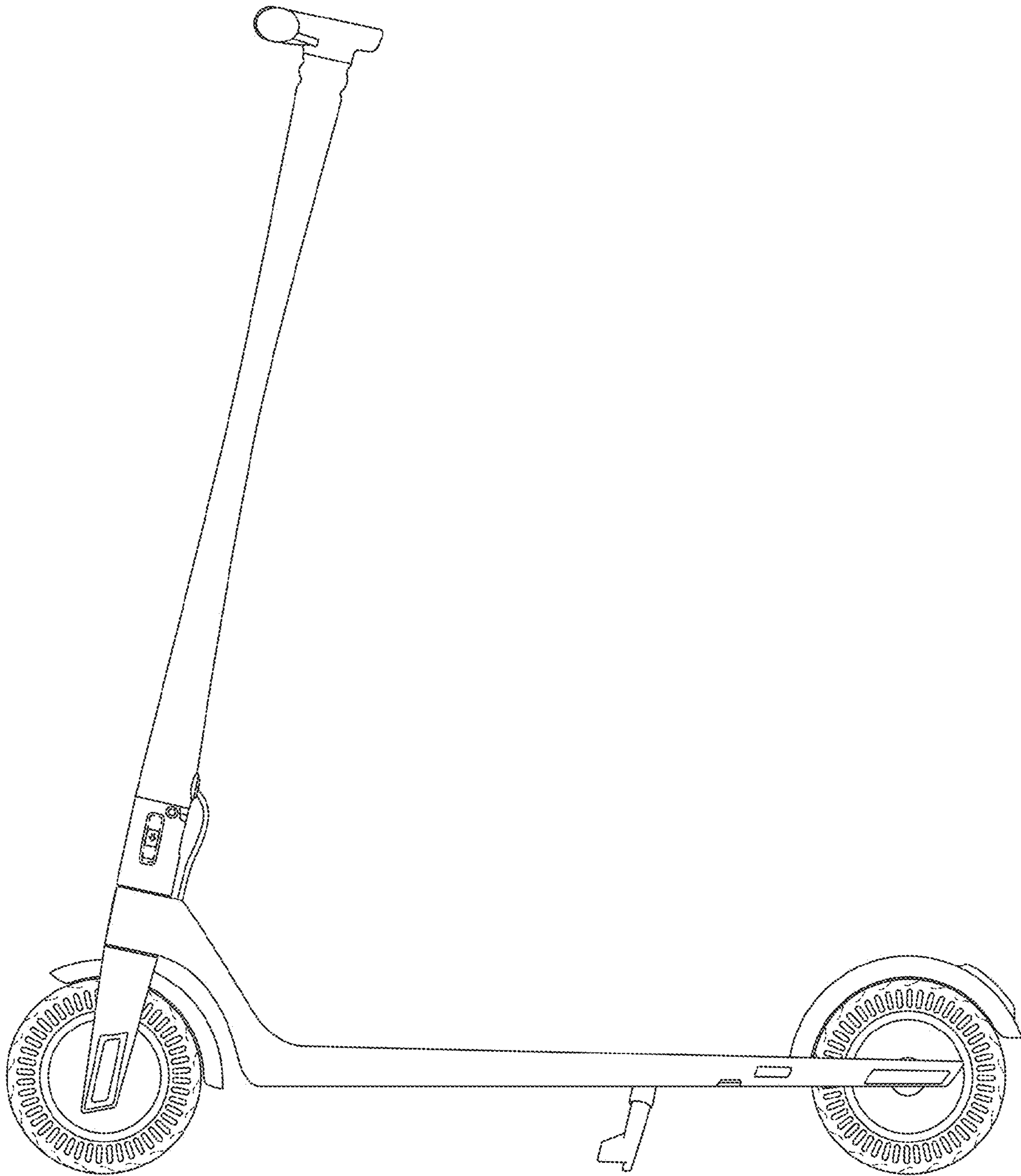


FIG. 5

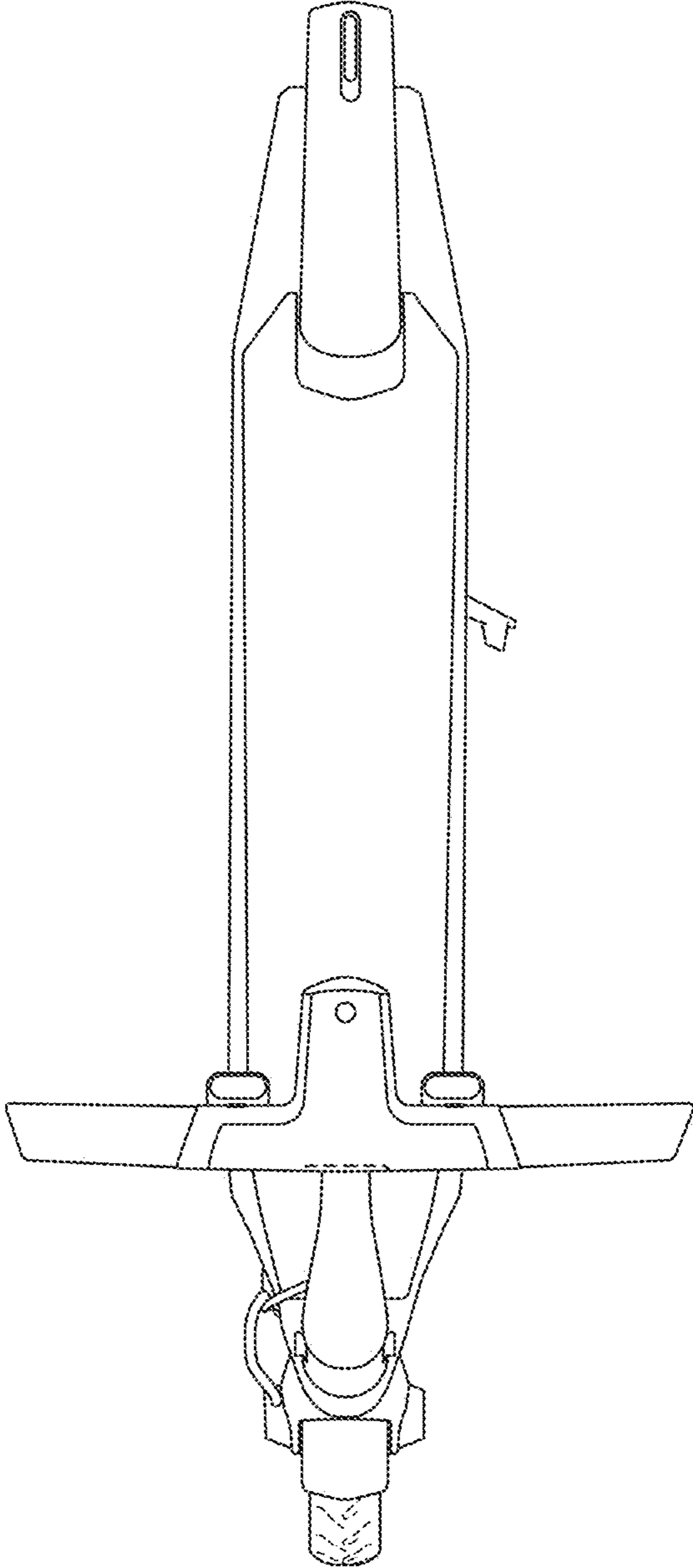


FIG. 6

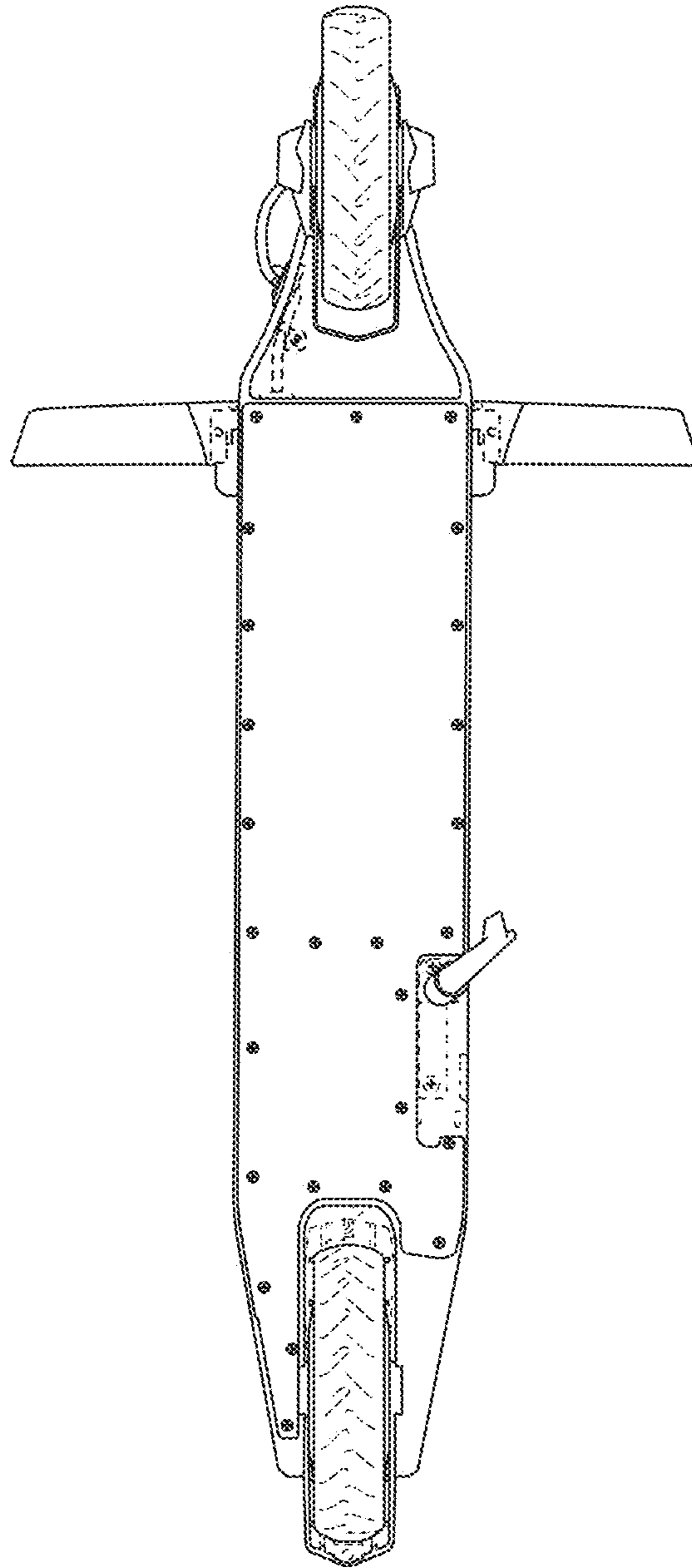


FIG. 7