



US00D942547S

(12) **United States Design Patent**
Yang

(10) **Patent No.:** **US D942,547 S**
(45) **Date of Patent:** **** Feb. 1, 2022**

(54) **ARCADE GAME CONSOLE**

(71) Applicant: **Shenzhen Yangliming Electronic Technology Co., Ltd**, Shenzhen (CN)

(72) Inventor: **Decheng Yang**, Shenzhen (CN)

(**) Term: **15 Years**

(21) Appl. No.: **29/661,694**

(22) Filed: **Aug. 30, 2018**

(51) **LOC (13) Cl.** **21-01**

(52) **U.S. Cl.**
USPC **D21/325; D14/172**

(58) **Field of Classification Search**
USPC D14/172–173, 188, 203.1–203.7, 265,
D14/324, 496; D21/324–326, 329, 330,
D21/332, 333
CPC A63F 9/00; A63F 9/24
See application file for complete search history.

(56) **References Cited**

U.S. PATENT DOCUMENTS

D306,582 S *	3/1990	Miyahara	D14/126
D382,915 S *	8/1997	Yang	D21/327
D484,918 S *	1/2004	Okada	D21/330
D508,961 S *	8/2005	Gatto	D21/325
D568,942 S *	5/2008	Gauselmann	D21/325
D656,551 S *	3/2012	Williamson	D21/325
D656,552 S *	3/2012	Williamson	D21/325
D750,179 S *	2/2016	Foulkes	D21/333
D822,117 S *	7/2018	Costa	D21/325
D880,599 S *	4/2020	Navid	D21/325

OTHER PUBLICATIONS

“Neo Geo Mini knockoffs are now a thing” Sep. 12, 2018, site visited Aug. 1, 2021: <https://liliputing.com/2018/09/neo-geo-mini-knockoffs-are-now-a-thing.html> (Year: 2018).*

* cited by examiner

Primary Examiner — Michael C Stout

Assistant Examiner — Melvin L Davis

(74) *Attorney, Agent, or Firm* — Prakash Nama; Global IP Services, PLLC

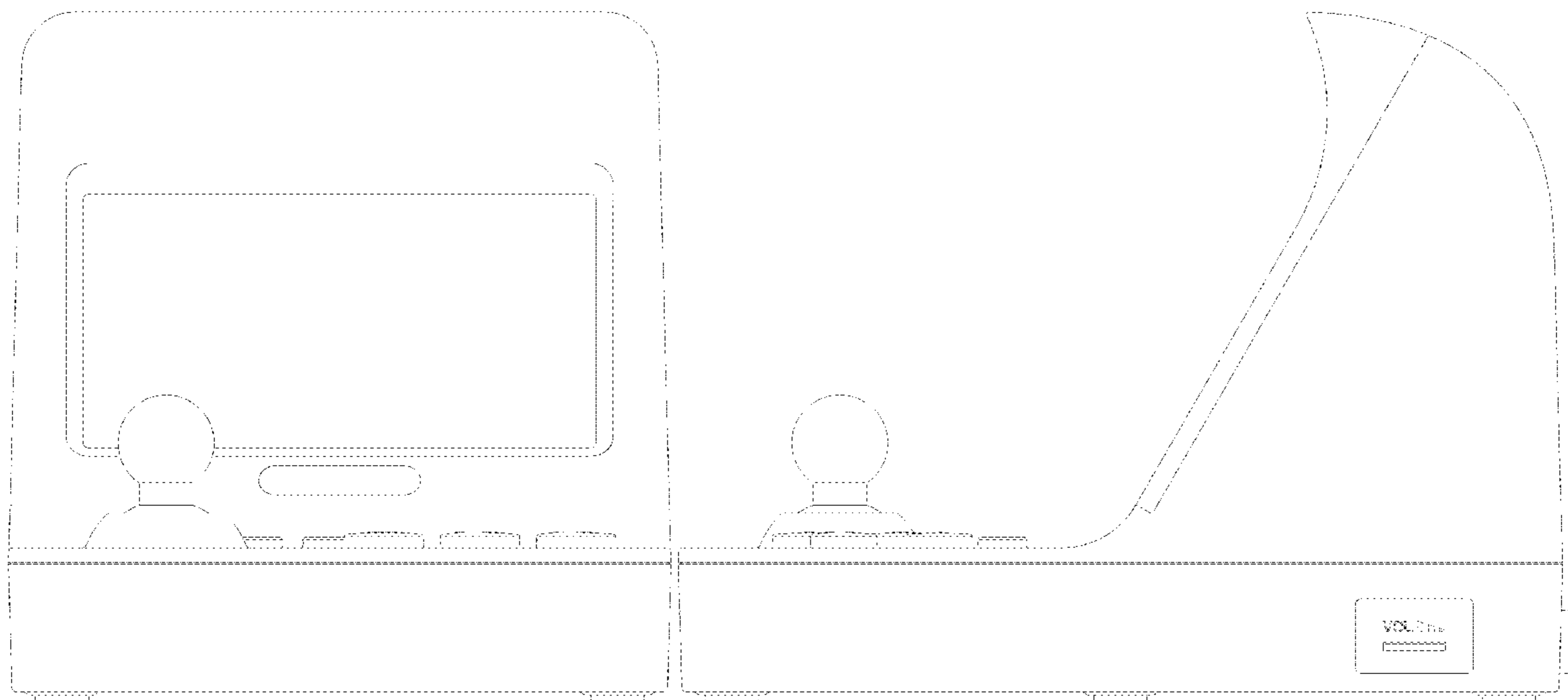
(57) **CLAIM**

The ornamental design for a arcade game console, as shown and described.

DESCRIPTION

FIG. 1 is a front elevational view of a arcade game console showing my new design;
FIG. 2 is a left side view thereof;
FIG. 3 is a right side view thereof;
FIG. 4 is a top plan view thereof;
FIG. 5 is a bottom plan view thereof;
FIG. 6 is a perspective view thereof;
FIG. 7 is a second perspective view thereof;
FIG. 8 is a third perspective view thereof; and,
FIG. 9 is a fourth perspective view thereof.
The broken lines shown in arcade game console form no part of the claimed design.

1 Claim, 9 Drawing Sheets



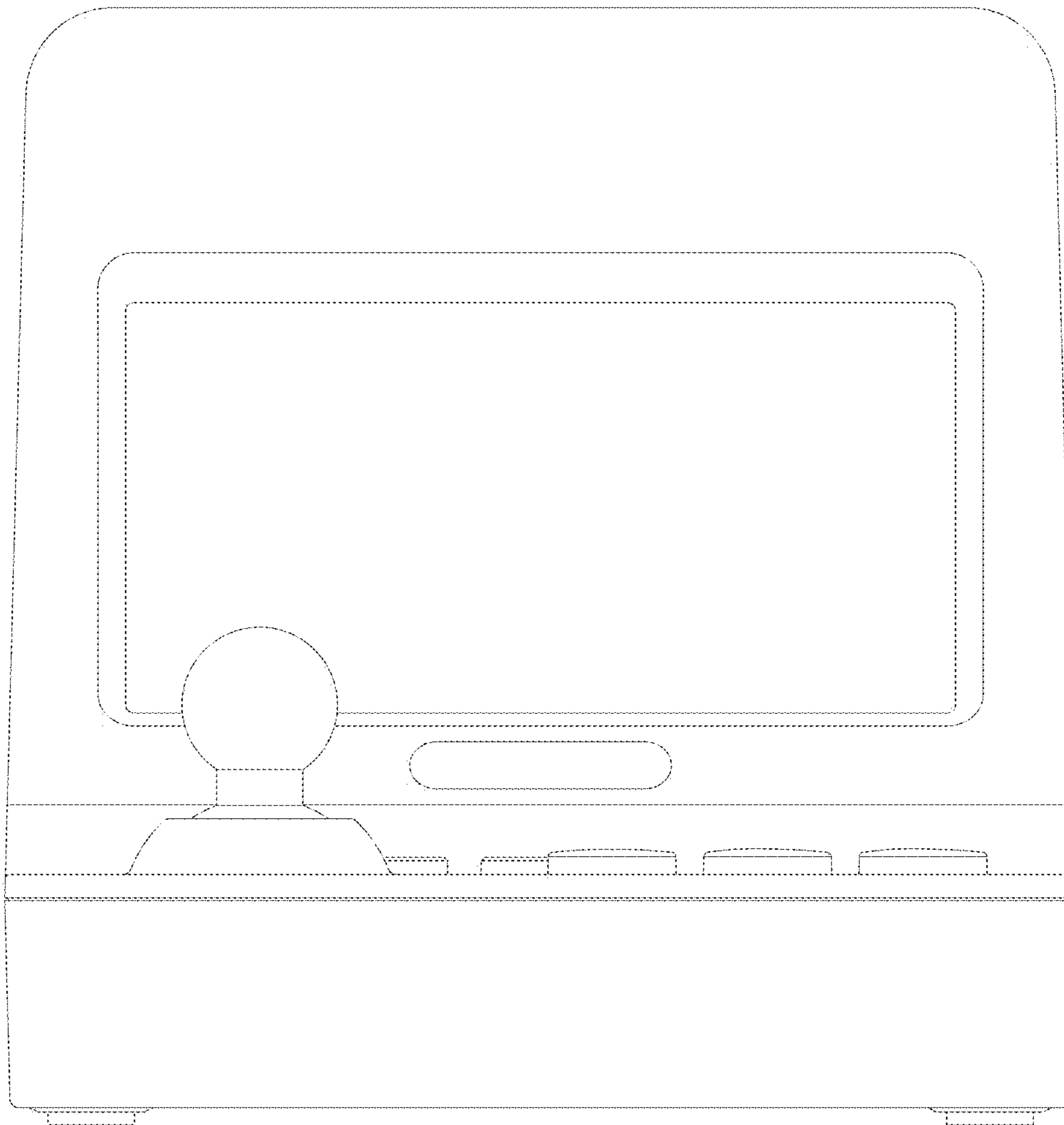


FIG. 1

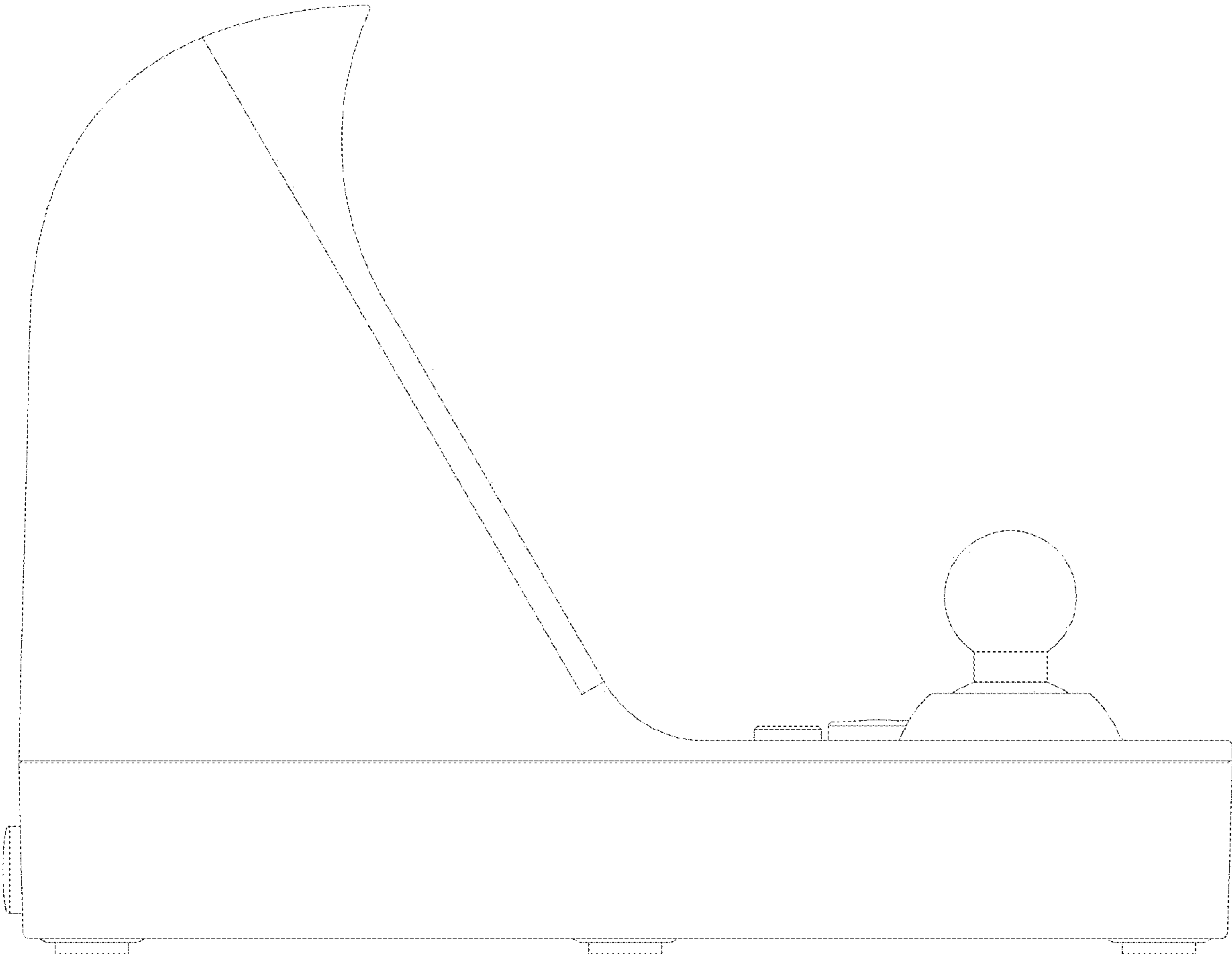


FIG. 2

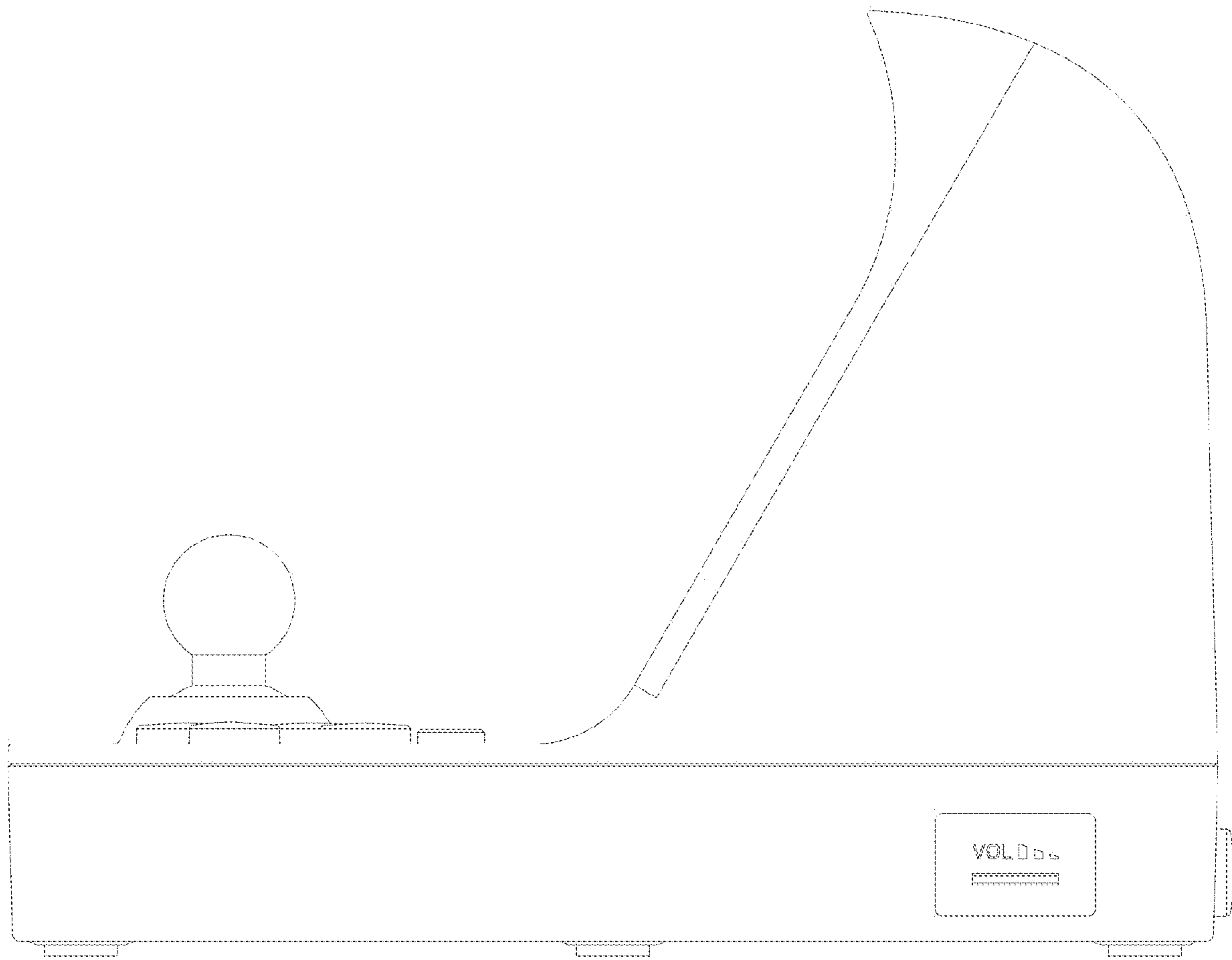


FIG.3

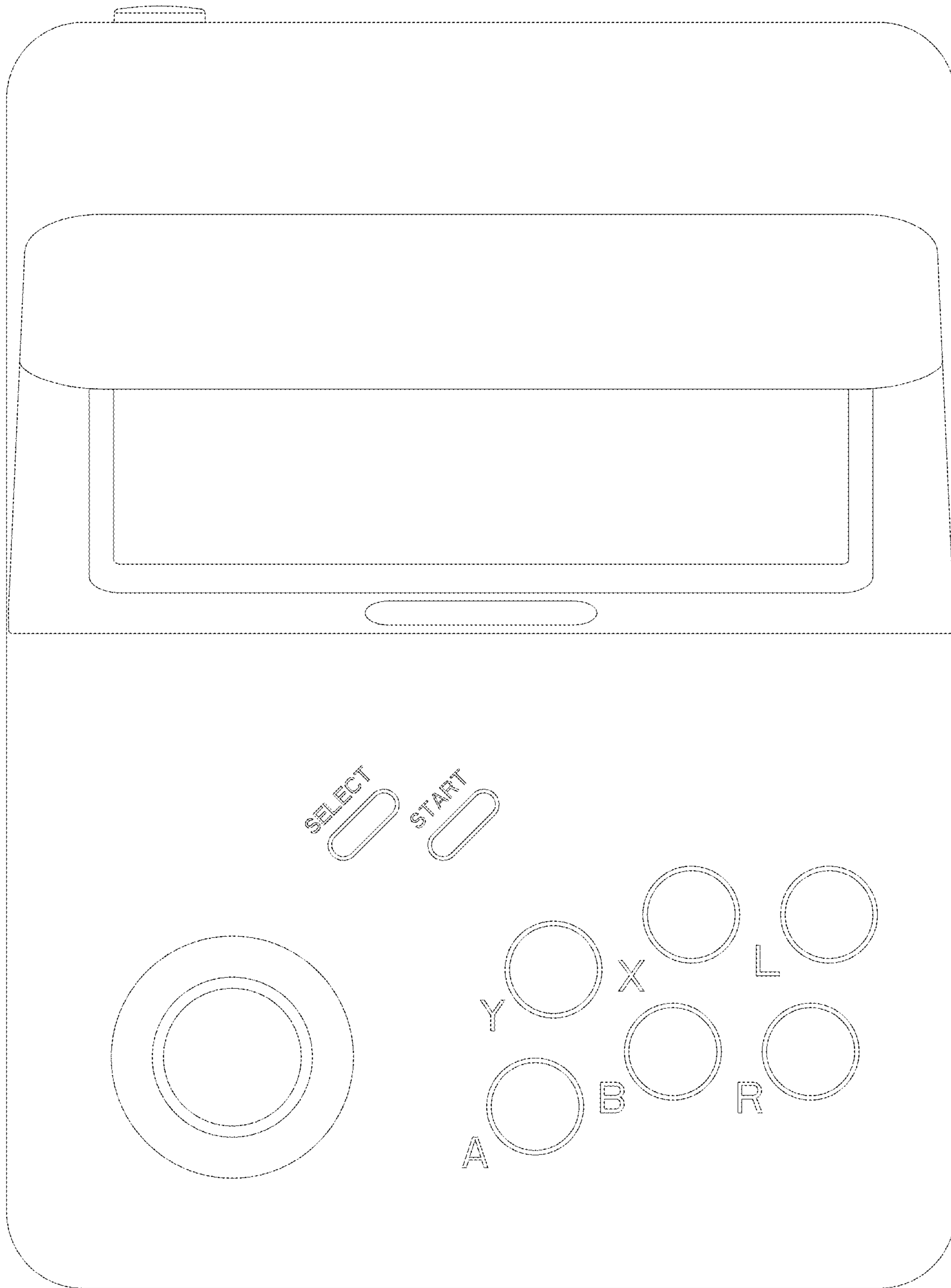


FIG. 4

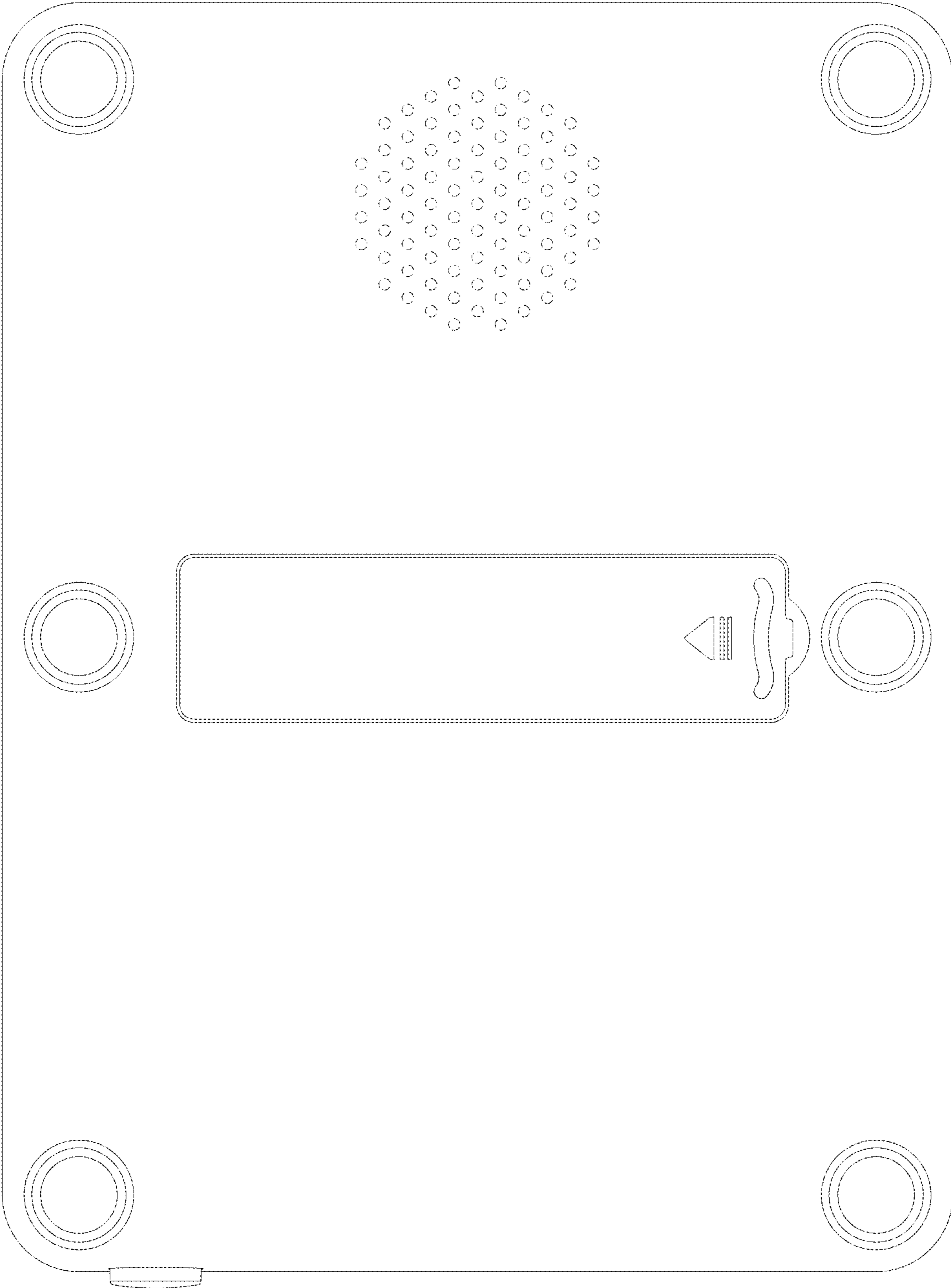


FIG. 5

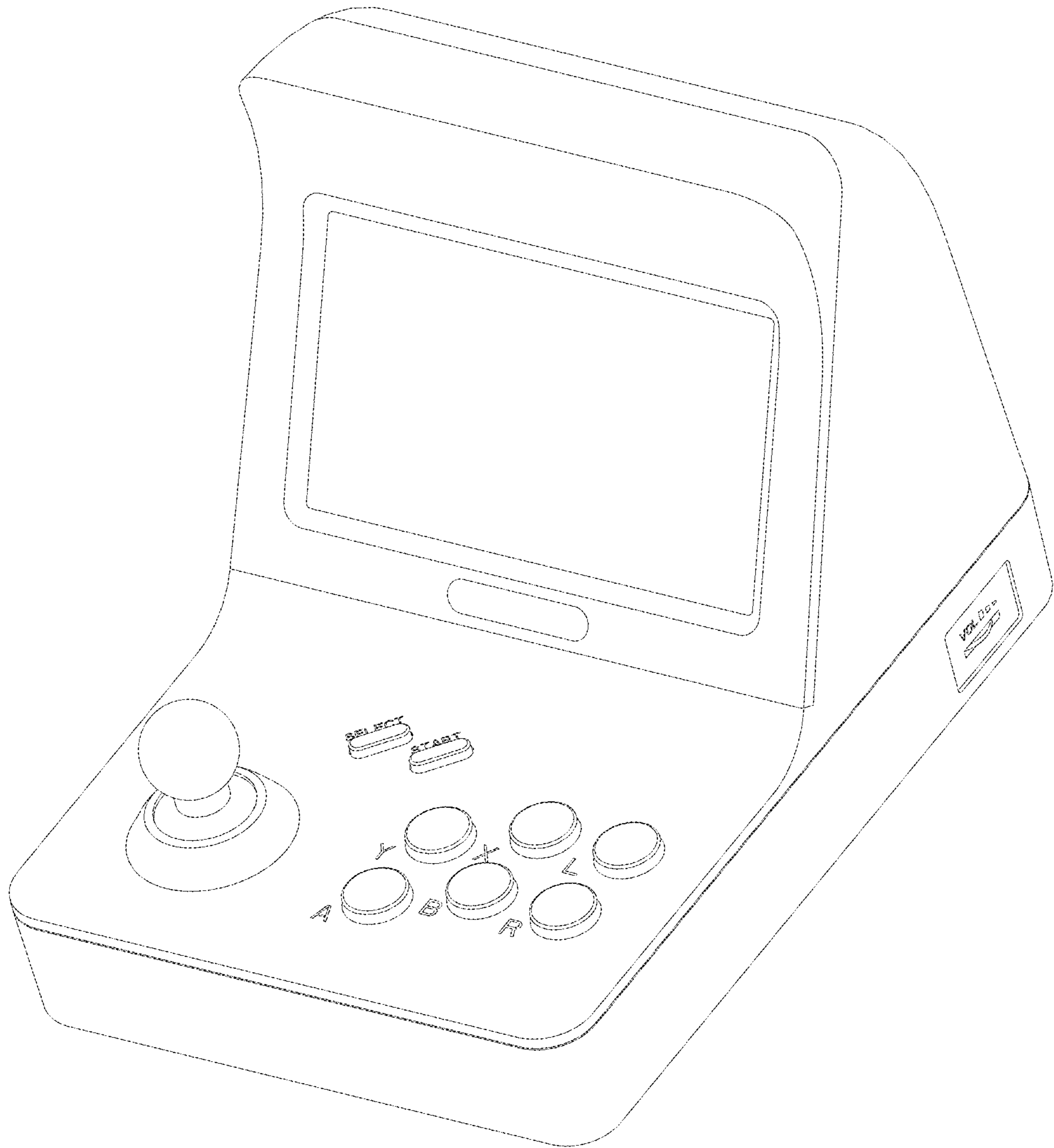


FIG. 6

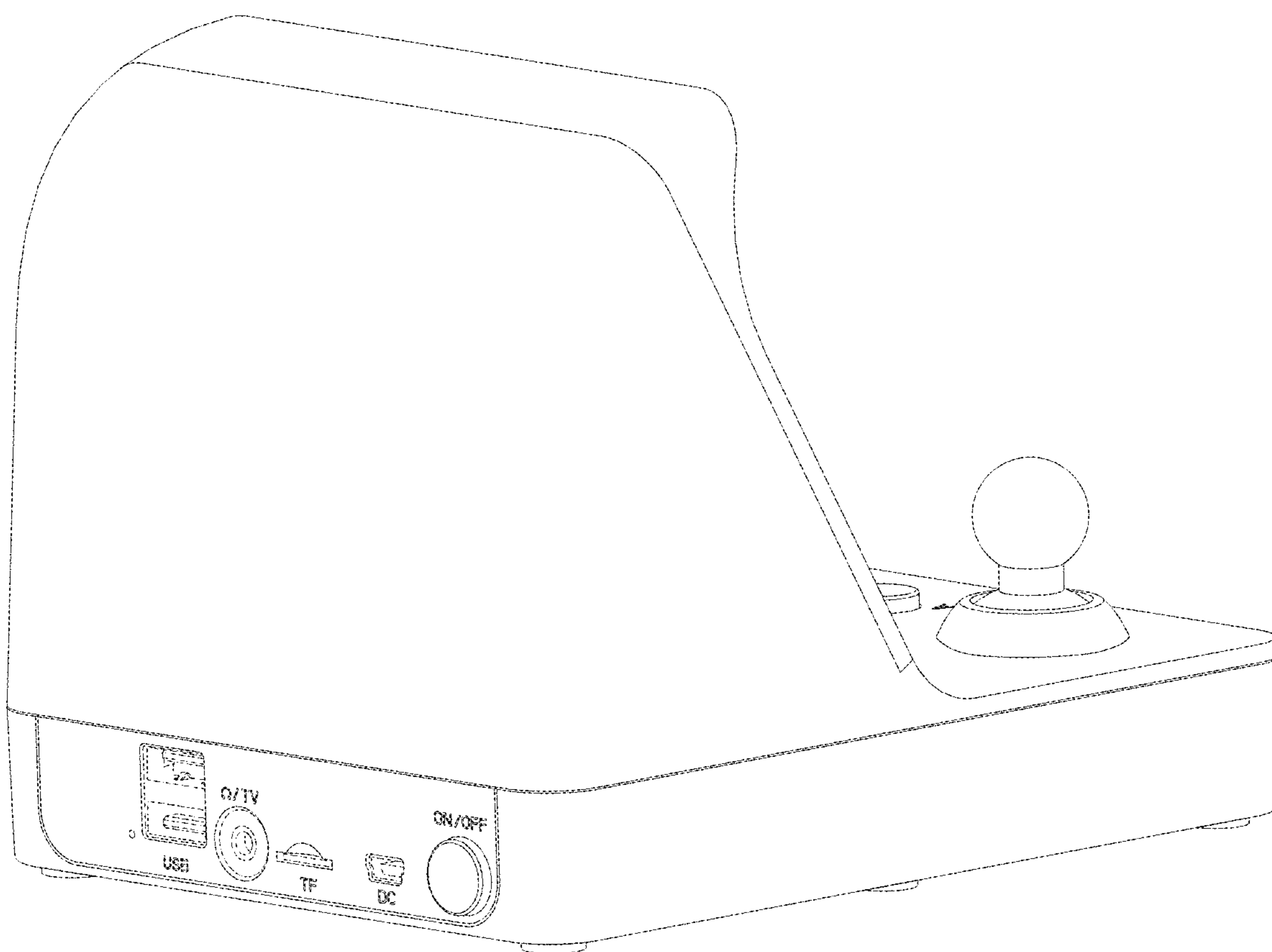


FIG. 7

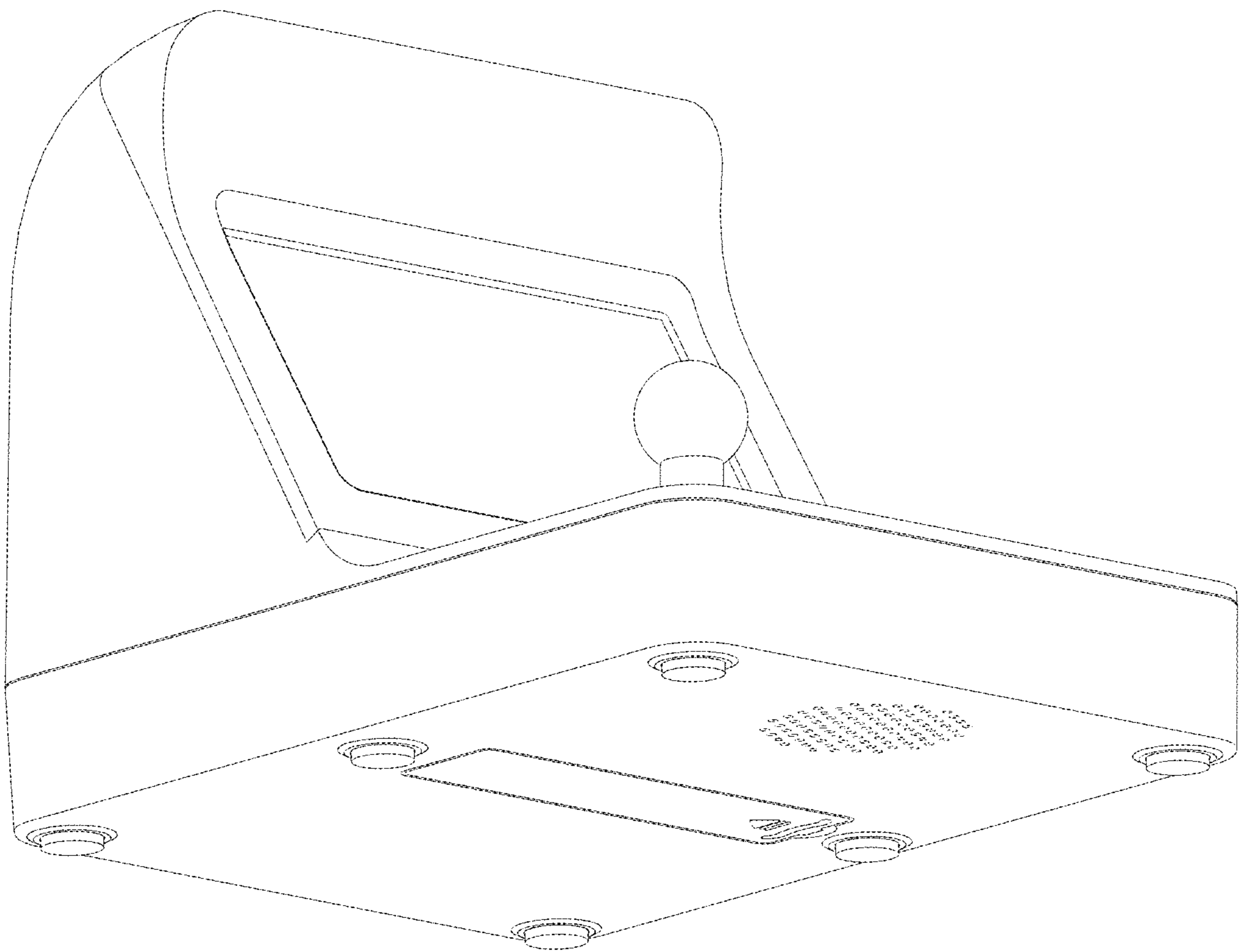


FIG. 8

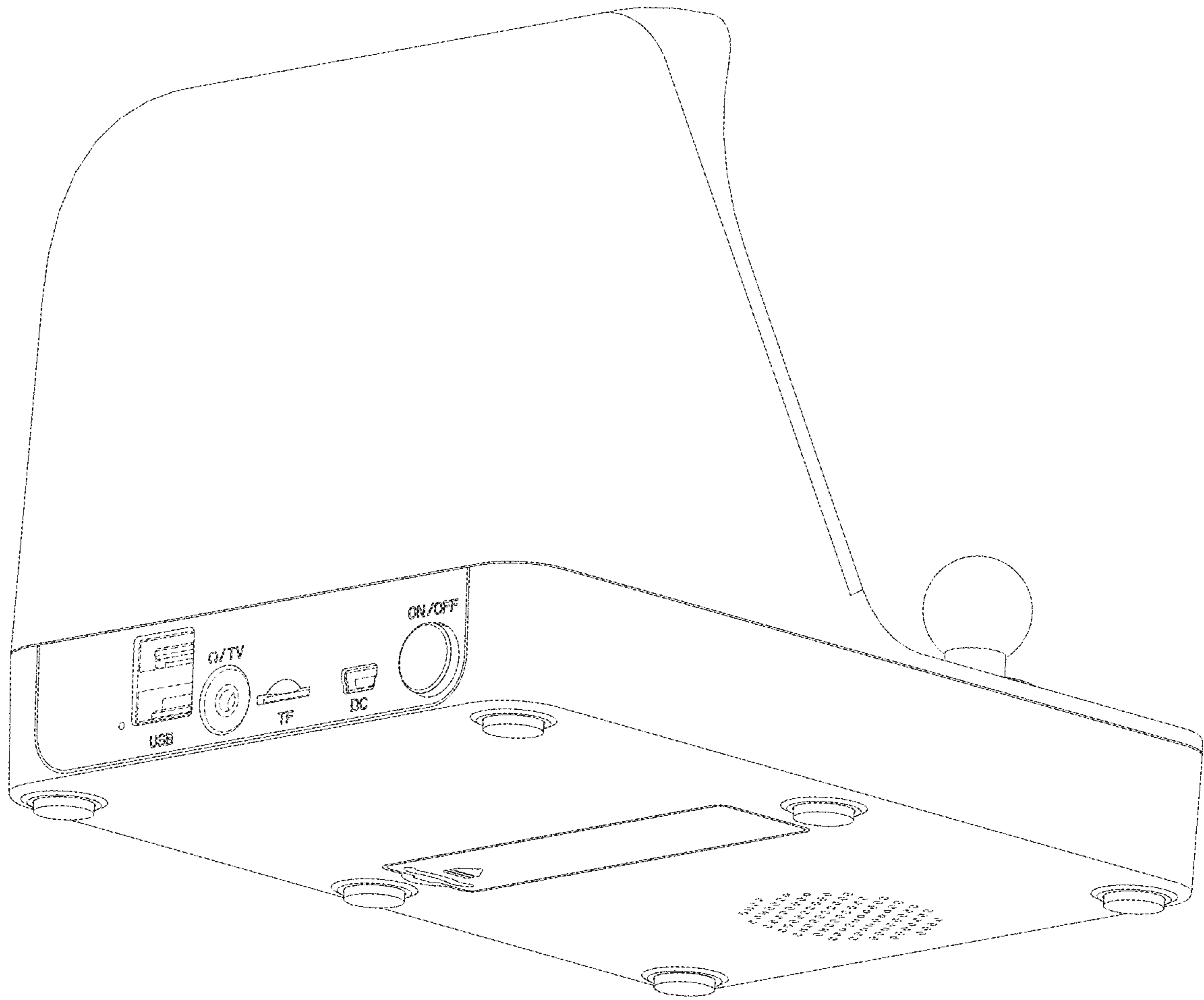


FIG. 9