



US00D942545S

(12) **United States Design Patent** (10) **Patent No.:** **US D942,545 S**
Rodkewich et al. (45) **Date of Patent:** **** Feb. 1, 2022**

(54) **DISPLAY FIXTURE**

(71) Applicant: **TARGET BRANDS, INC.**,
Minneapolis, MN (US)

(72) Inventors: **David J. Rodkewich**, Saint Paul, MN
(US); **Dan Smith**, Minneapolis, MN
(US); **Kelly O’Halloran**, Minneapolis,
MN (US)

(73) Assignee: **TARGET BRANDS, INC.**,
Minneapolis, MN (US)

(**) Term: **15 Years**

(21) Appl. No.: **29/766,493**

(22) Filed: **Jan. 15, 2021**

Related U.S. Application Data

(62) Division of application No. 29/688,022, filed on Apr.
17, 2019, now abandoned.

(51) **LOC (13) Cl.** **20-02**

(52) **U.S. Cl.**
USPC **D20/29; D11/162**

(58) **Field of Classification Search**
USPC D11/131, 132, 133, 137, 139, 157, 158,
D11/160, 161, 162, 164; D20/10, 11, 29,
D20/30, 31, 41, 42, 99
CPC G09F 1/00; G09F 1/08; G09F 5/00; G09F
5/02; G09F 7/00; G09F 19/00; G09F
23/00; G09F 27/00; G09F 9/46; G09F
15/00; G09F 7/08; G09F 19/12; G09F
13/00; G09F 13/24; Y10S 362/812; A47F
3/00; A47F 8/00; A47F 11/00
See application file for complete search history.

(56) **References Cited**

U.S. PATENT DOCUMENTS

688,422 A 12/1901 Leibert et al.
D121,584 S * 7/1940 Case D12/344

D251,865 S 5/1979 Butler
D255,341 S 6/1980 Dornier
D255,342 S 6/1980 Dornier
D255,911 S 7/1980 Theodore
D264,837 S 6/1982 Dornier
D274,510 S 7/1984 McComas et al.

(Continued)

OTHER PUBLICATIONS

“LITFAD Industrial Vintage Pendant Light 8 Light Airplane”,
printed from www.amazon.com/LITFAD-Industrial-Vintage-Airplane-Child...pf_rd_r=G9EGVB43EQFJ68K1ZE76&psc=1&refRID=G9EGVB43EQFJ68K1ZE76, publicly available at least as early as
Oct. 25, 2018 (7 pages).

(Continued)

Primary Examiner — Michael C Stout

Assistant Examiner — Catherine Ho

(74) *Attorney, Agent, or Firm* — JoAnn M. Seaton;
Griffiths & Seaton PLLC

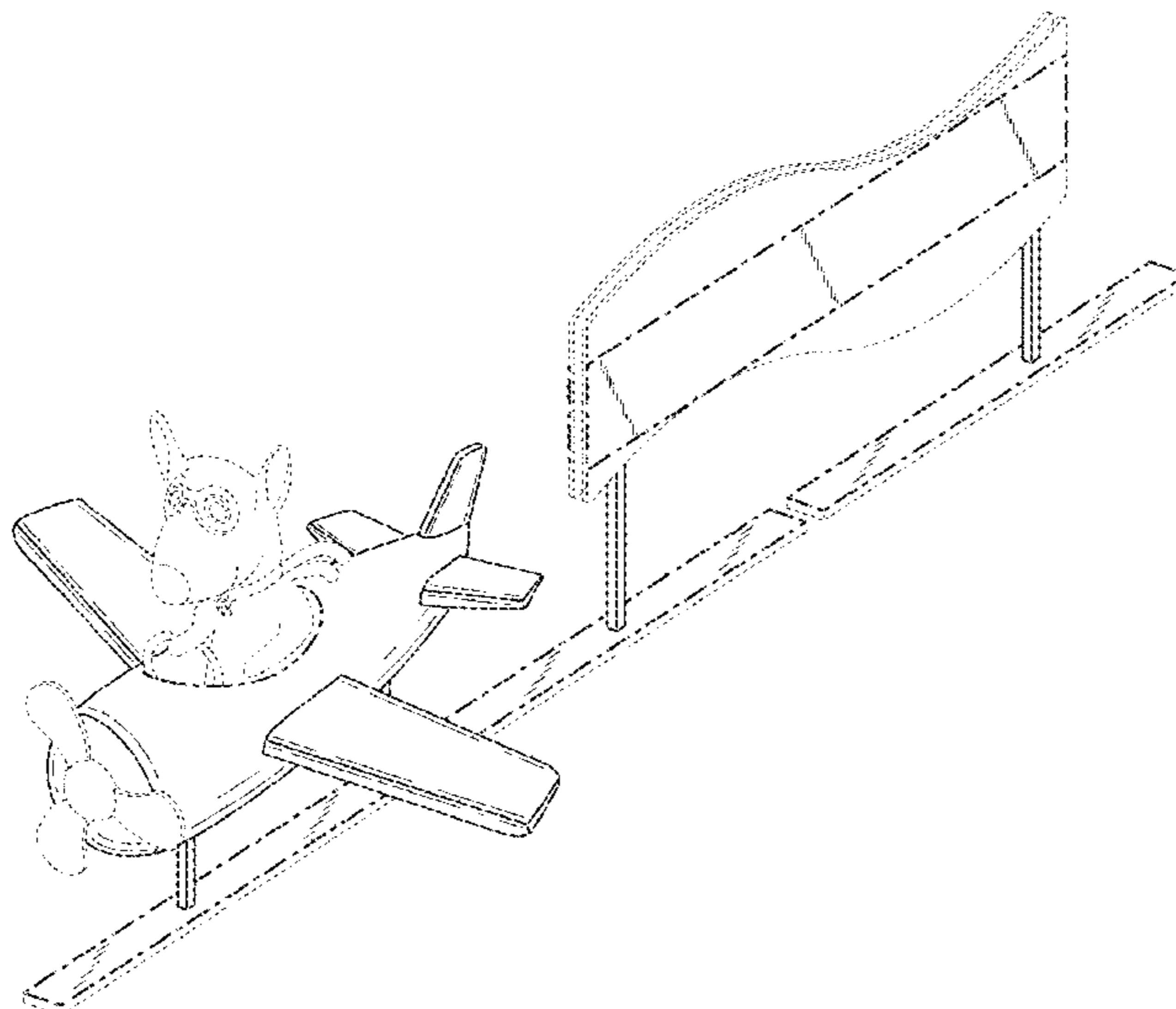
(57) **CLAIM**

The ornamental design for a display fixture, as shown and
described.

DESCRIPTION

FIG. 1 is a top and front perspective view of a display
fixture, showing our new design;
FIG. 2 is a front view thereof;
FIG. 3 is a rear view thereof;
FIG. 4 is a right side view thereof;
FIG. 5 is a left side view thereof;
FIG. 6 is a top view thereof; and,
FIG. 7 is a bottom view thereof.
In the drawings, the evenly spaced broken lines depict
unclaimed subject matter only and form no part of the
claimed design. The features shown in long dash-short dash
bolded broken lines indicate the bounds of the claimed
design and otherwise form no part of the claimed design.

1 Claim, 6 Drawing Sheets



(56)

References Cited

U.S. PATENT DOCUMENTS

D304,846 S 11/1989 Hahn
 D320,421 S 10/1991 Harris
 D348,913 S 7/1994 Rudell
 D351,822 S 10/1994 Simonov et al.
 D357,713 S 4/1995 Zilliox
 D476,692 S 7/2003 Gaines et al.
 D486,776 S 2/2004 Carr
 D504,862 S 5/2005 Siedel
 D530,659 S 10/2006 Guering
 D622,995 S 9/2010 Beraha
 D623,235 S 9/2010 Engelby et al.
 D623,236 S 9/2010 Engelby et al.
 D630,257 S 1/2011 Engelby et al.
 D633,570 S 3/2011 Hilyard et al.
 D741,408 S 10/2015 Engelby et al.
 9,394,095 B2 7/2016 Hartman et al.
 D777,838 S 1/2017 Myles
 D801,856 S 11/2017 Zhou
 D808,328 S 1/2018 Ivans et al.
 D821,496 S 6/2018 Holden
 D828,872 S 9/2018 McPherson
 D850,357 S 6/2019 Cummings
 D876,988 S * 3/2020 Stepura D12/16.1
 D890,074 S * 7/2020 Parvizian D12/333

D897,447 S * 9/2020 Gillenwater D21/447
 D897,448 S * 9/2020 Gillenwater D21/447
 D931,180 S * 9/2021 Manohar D12/319
 D931,181 S * 9/2021 Manohar D12/319
 2004/0245374 A1 * 12/2004 Morgan B64C 5/02
 244/12.3
 2008/0142643 A1 * 6/2008 Yoeli B60V 3/02
 244/23 R
 2012/0199699 A1 * 8/2012 Isaac B64C 29/0033
 244/7 R
 2018/0072398 A1 * 3/2018 Sartorius B64C 3/28

OTHER PUBLICATIONS

“Hamleys Rota-Plane”, printed from www.hamleys.com/hamleys-rotaplane-843821.ir, publicly available at least as early as Oct. 26, 2018 (2 pages).

“Green Toys Airplane”, printed from www.amazon.com/Green-Toys-Airplane-Phthalates-Aeronautical/dp/B008LQXR82, publicly available at least as early as Jan. 10, 2015 (10 pages).

Video: Step Inside One of Our Remodeled Stores, posted at Corporate.target.com, posted on Mar. 23, 2019, site visited Sep. 11, 2020. online, available from internet: <https://corporate.target.com/article/2019/03/store-remodel-video> (Year: 2019) (1 page).

* cited by examiner

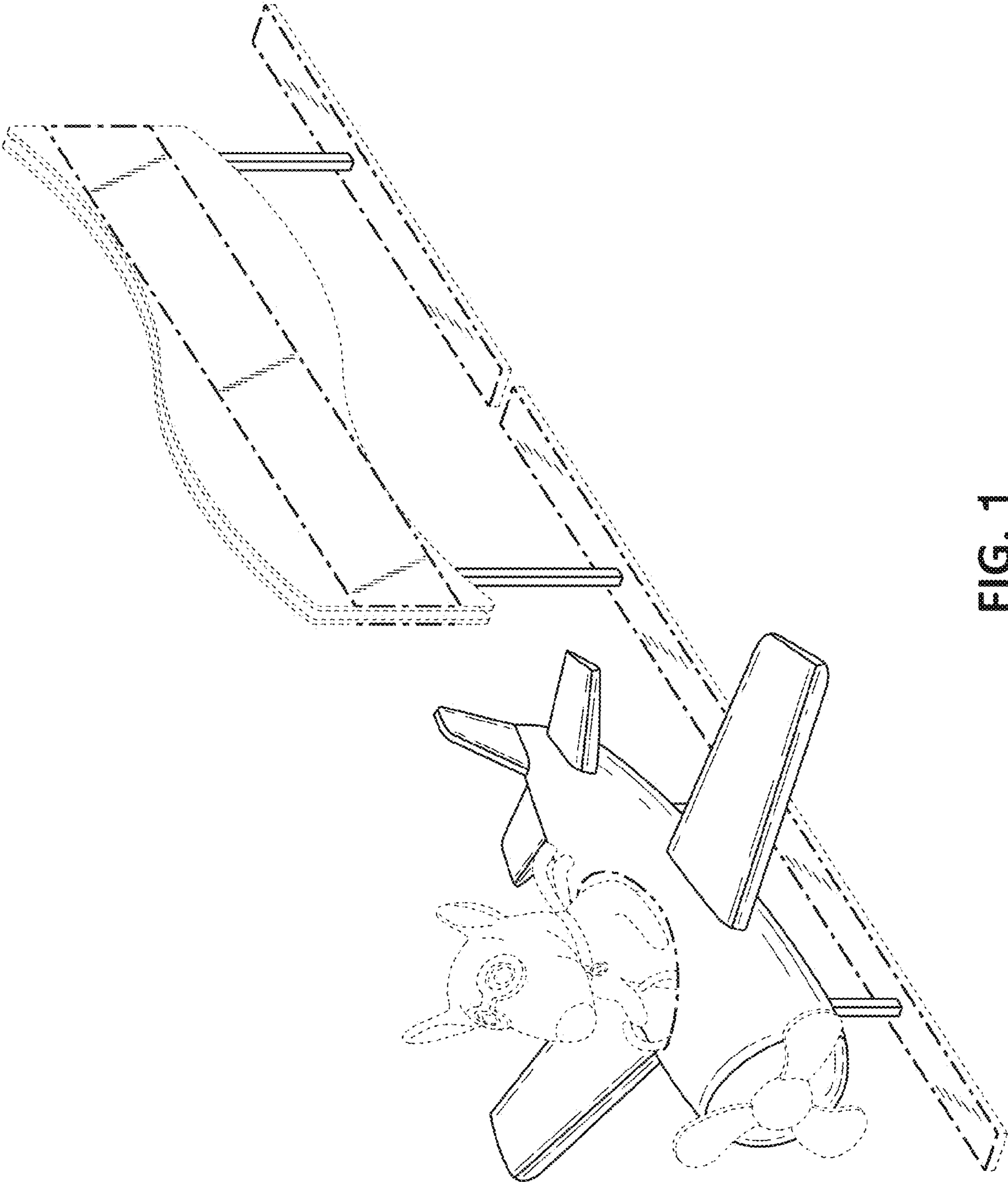


FIG. 1

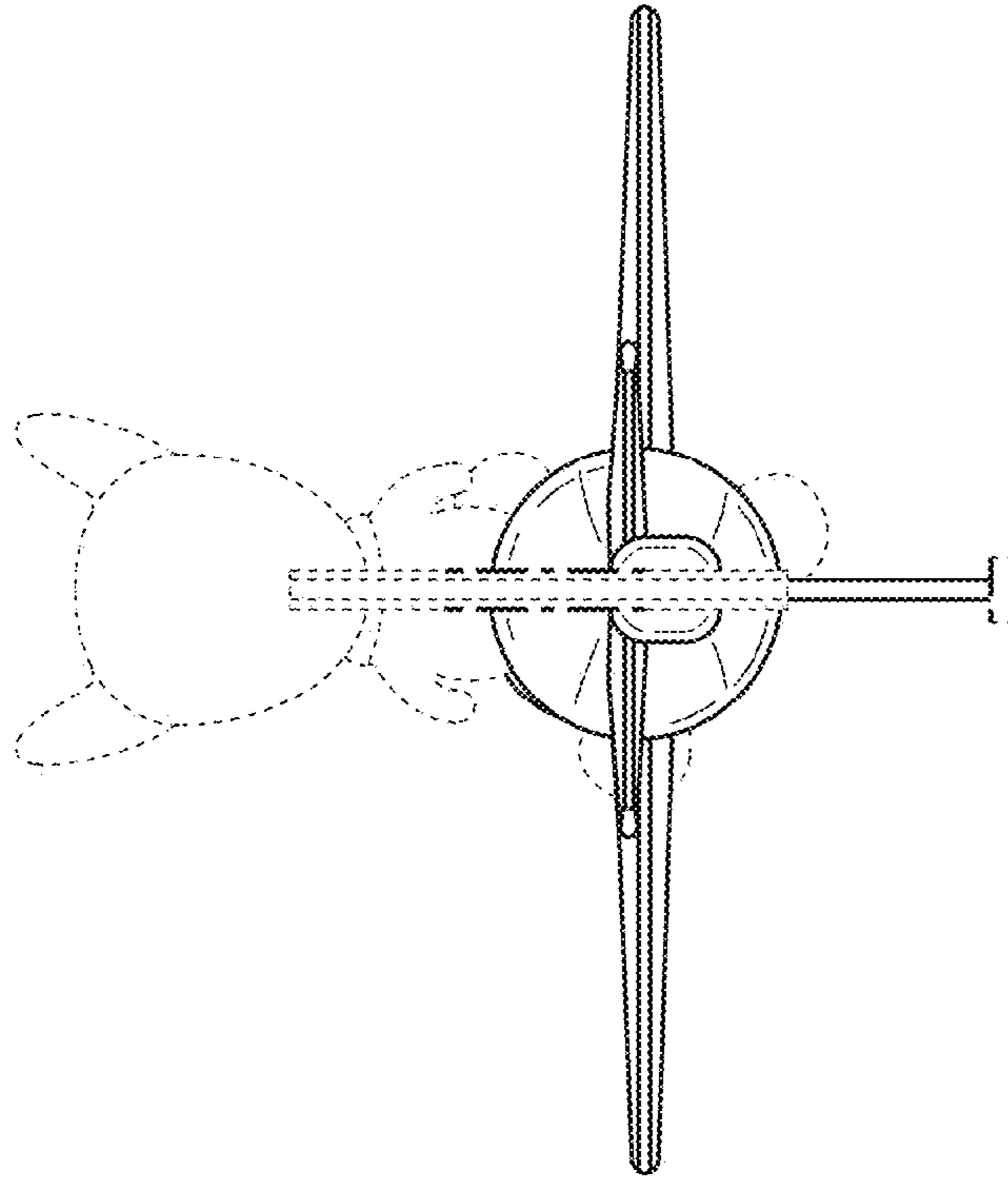


FIG. 2

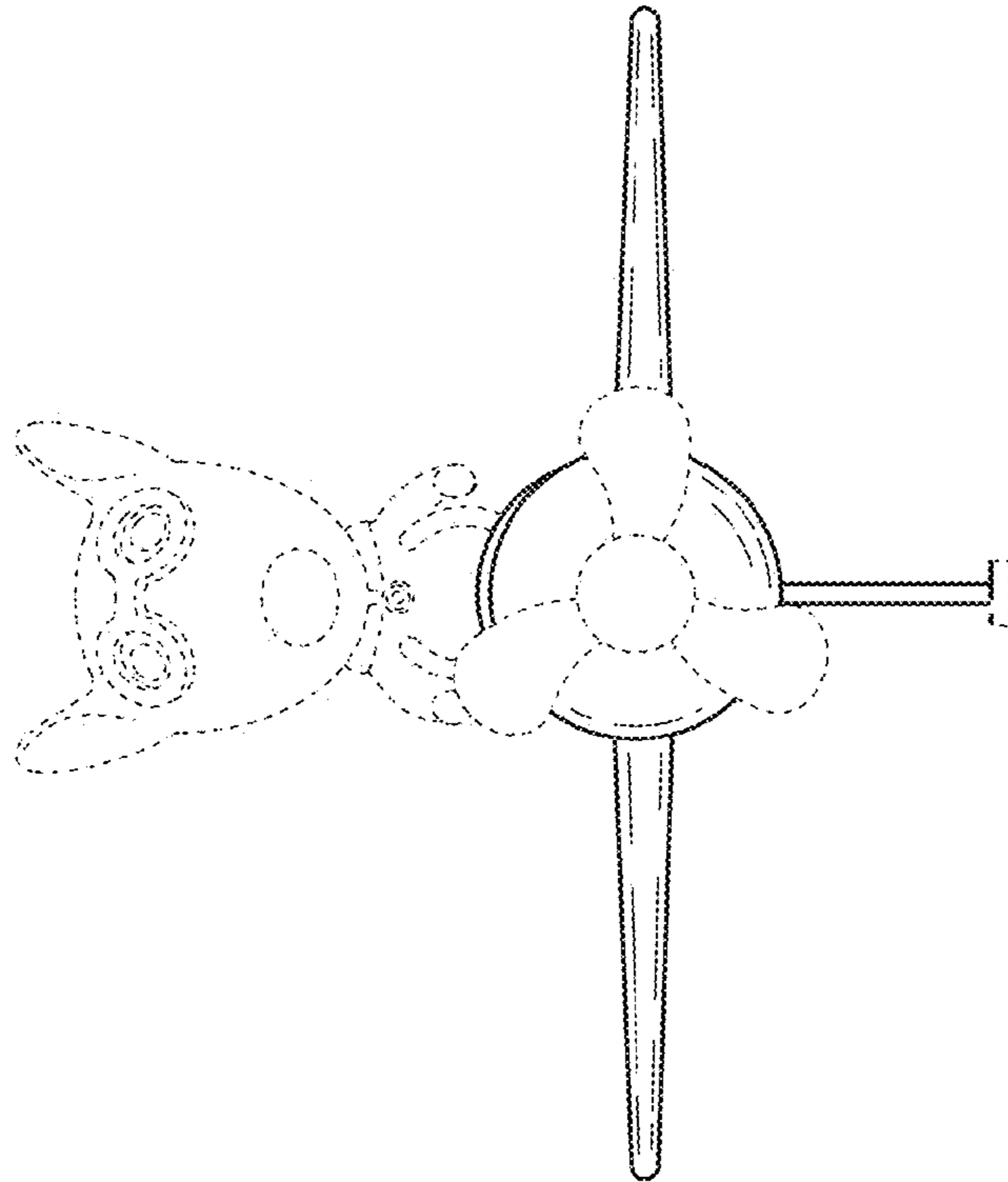


FIG. 3

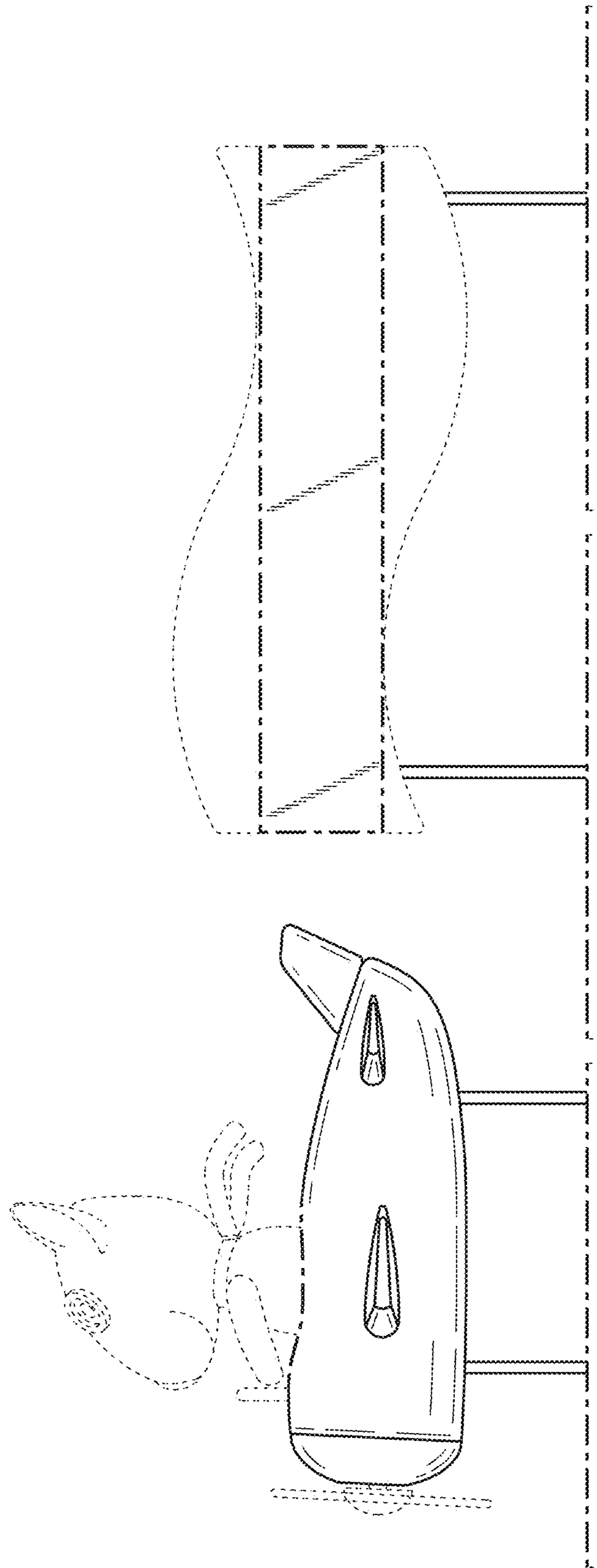


FIG. 4

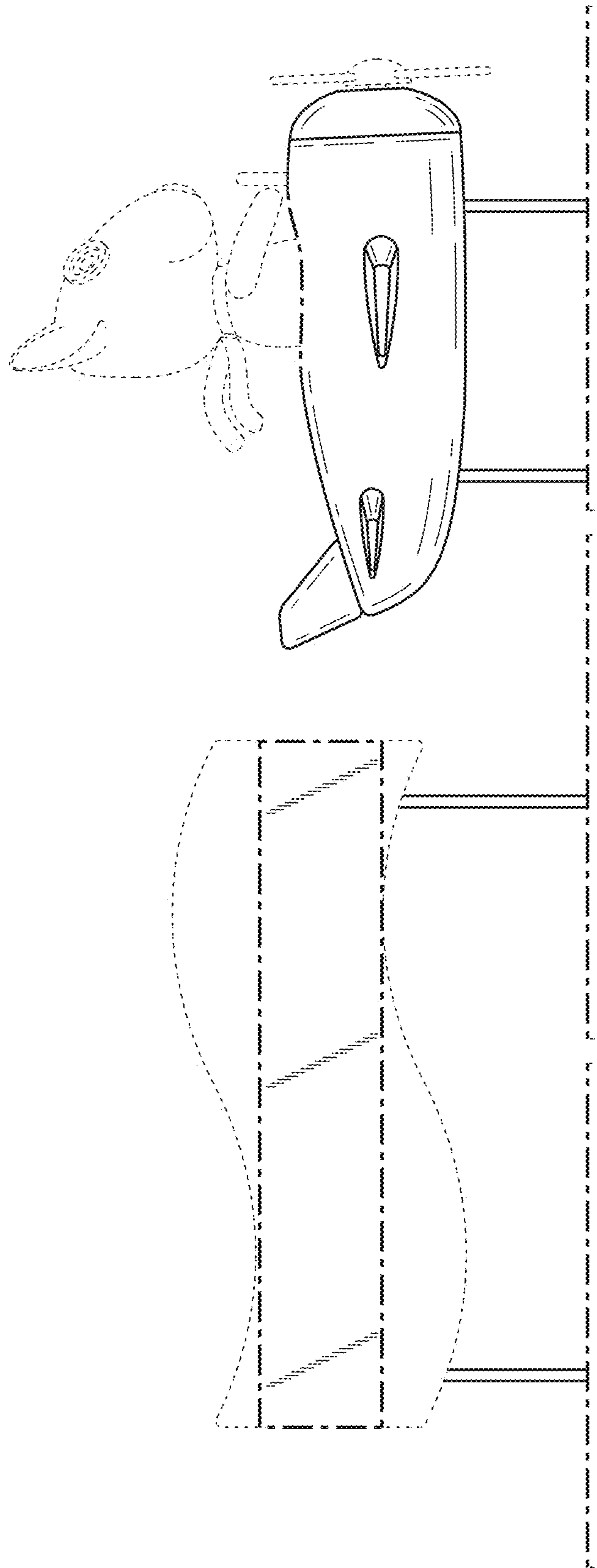


FIG. 5

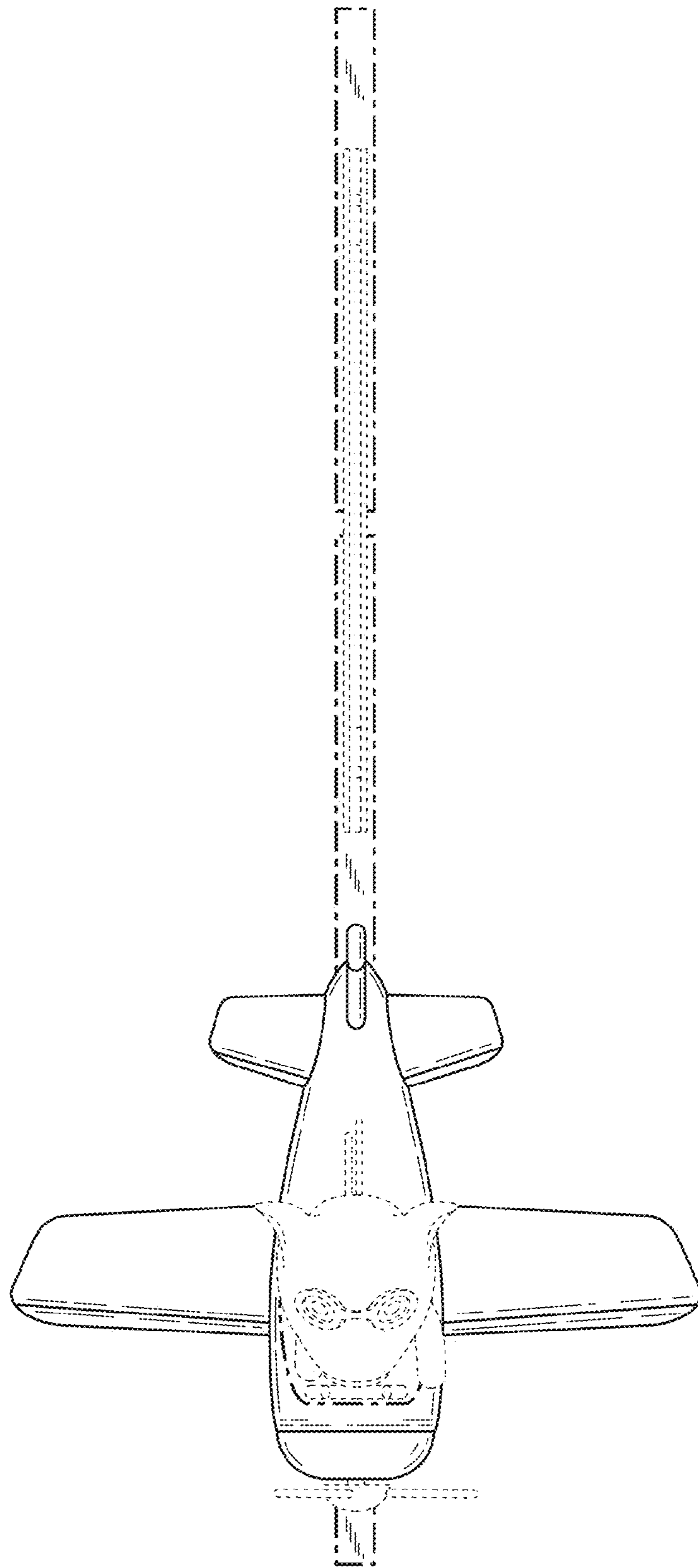


FIG. 6

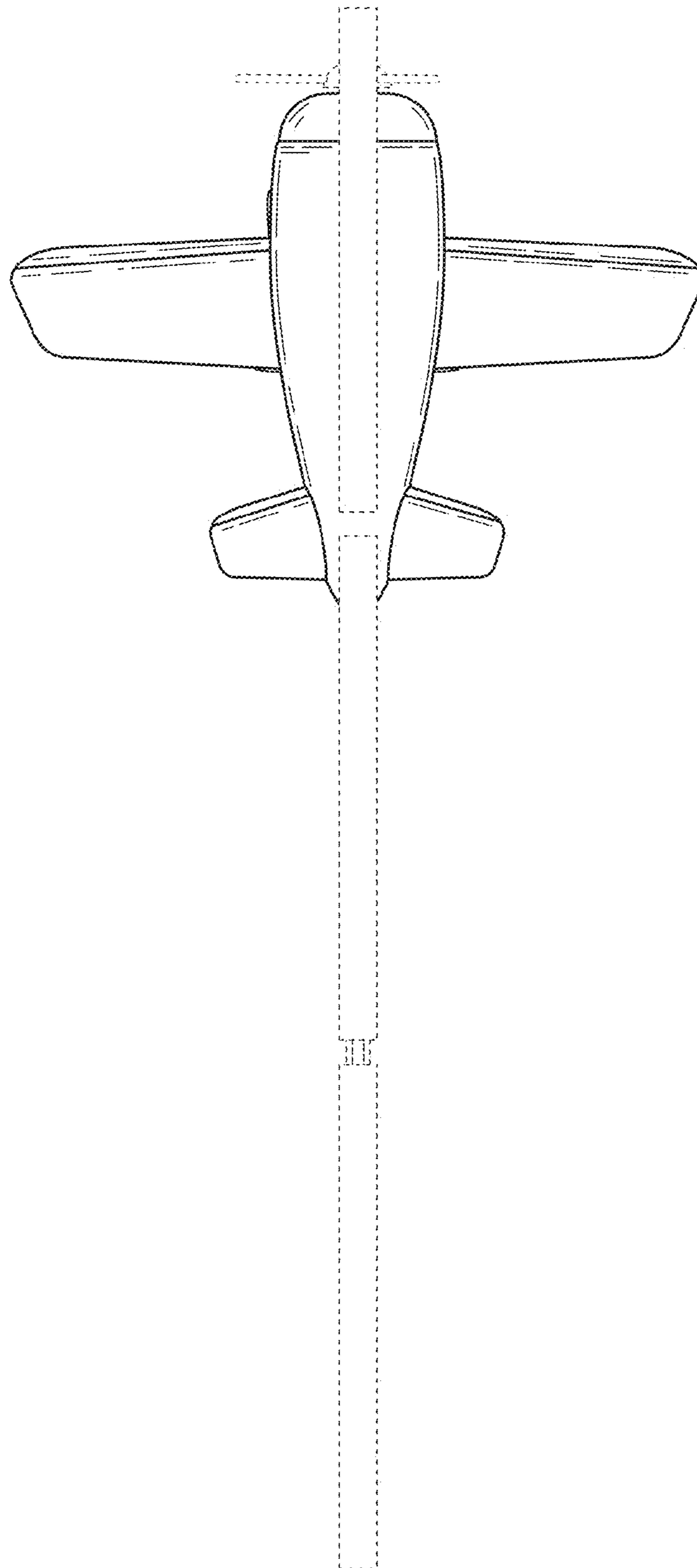


FIG. 7