



US00D942544S

(12) **United States Design Patent**  
**Banh et al.**

(10) **Patent No.:** **US D942,544 S**

(45) **Date of Patent:** **\*\* Feb. 1, 2022**

(54) **DRUG SYRINGE SAFELY LABEL**

(71) Applicant: **QuVa Pharma, Inc.**, Sugar Land, TX (US)

(72) Inventors: **Ngoc Banh**, Cypress, TX (US); **David Christopher Short**, Sugar Land, TX (US)

(73) Assignee: **QuVa Pharma, Inc.**, Sugar Land, TX (US)

(\*\*) Term: **15 Years**

(21) Appl. No.: **29/693,164**

(22) Filed: **May 31, 2019**

(51) **LOC (13) Cl.** ..... **19-08**

(52) **U.S. Cl.**

USPC ..... **D20/27**

(58) **Field of Classification Search**

USPC ..... D10/46, 52, 104.1, 104.2, 109.1, 109.2;  
D19/1-12; D20/10, 11, 18, 19, 22-29,  
D20/42, 43, 49

(Continued)

(56) **References Cited**

**U.S. PATENT DOCUMENTS**

3,368,741 A \* 2/1968 Mercur ..... G09F 3/10  
229/70  
3,537,637 A \* 11/1970 Hiersteiner ..... B65D 27/00  
229/70

(Continued)

**FOREIGN PATENT DOCUMENTS**

JP 2008229926 A 10/2008  
JP 2013169419 A 9/2013  
JP 2014200301 A 10/2014

**OTHER PUBLICATIONS**

American Society of Anesthesiologists; Statement on Creating Labels of Pharmaceuticals for use in Anesthesiology, Oct. 28, 2015; 4 pgs.

(Continued)

*Primary Examiner* — Mary Ann Calabrese

*Assistant Examiner* — Catherine Ho

(74) *Attorney, Agent, or Firm* — Merchant & Gould P.C.; Daniel R. Evans

(57) **CLAIM**

We claim the ornamental design for a drug syringe safety label, as shown and described.

**DESCRIPTION**

The patent or application file contains at least one drawing executed in color. Copies of this patent with color drawings will be provided by the Office upon request and payment of the necessary fee.

FIG. 1 is a top plan view of the first embodiment of a drug syringe safety label, showing our new design; FIG. 2 is a perspective view of the first embodiment of a drug syringe safety label shown in an environment of use; FIG. 3 is a left side elevation view thereof; FIG. 4 is a right side elevation view thereof; FIG. 5 is a top plan view thereof; FIG. 6 is a bottom plan view thereof; FIG. 7 is a front elevation view thereof; FIG. 8 is a back elevation view thereof; FIG. 9 is a top plan view of the second embodiment of a drug syringe safety label, showing our new design; FIG. 10 is a perspective view of the second embodiment of a drug syringe safety label shown in an environment of use; FIG. 11 is a left side elevation view thereof; FIG. 12 is a right side elevation view thereof; FIG. 13 is a top plan view thereof; FIG. 14 is a bottom plan view thereof; FIG. 15 is a front elevation view thereof; FIG. 16 is a back elevation view thereof; FIG. 17 is a top plan view of the third embodiment of a drug syringe safety label, showing our new design; FIG. 18 is a perspective view of the third embodiment of a drug syringe safety label shown in an environment of use; FIG. 19 is a left side elevation view thereof; FIG. 20 is a right side elevation view thereof; FIG. 21 is a top plan view thereof;

(Continued)

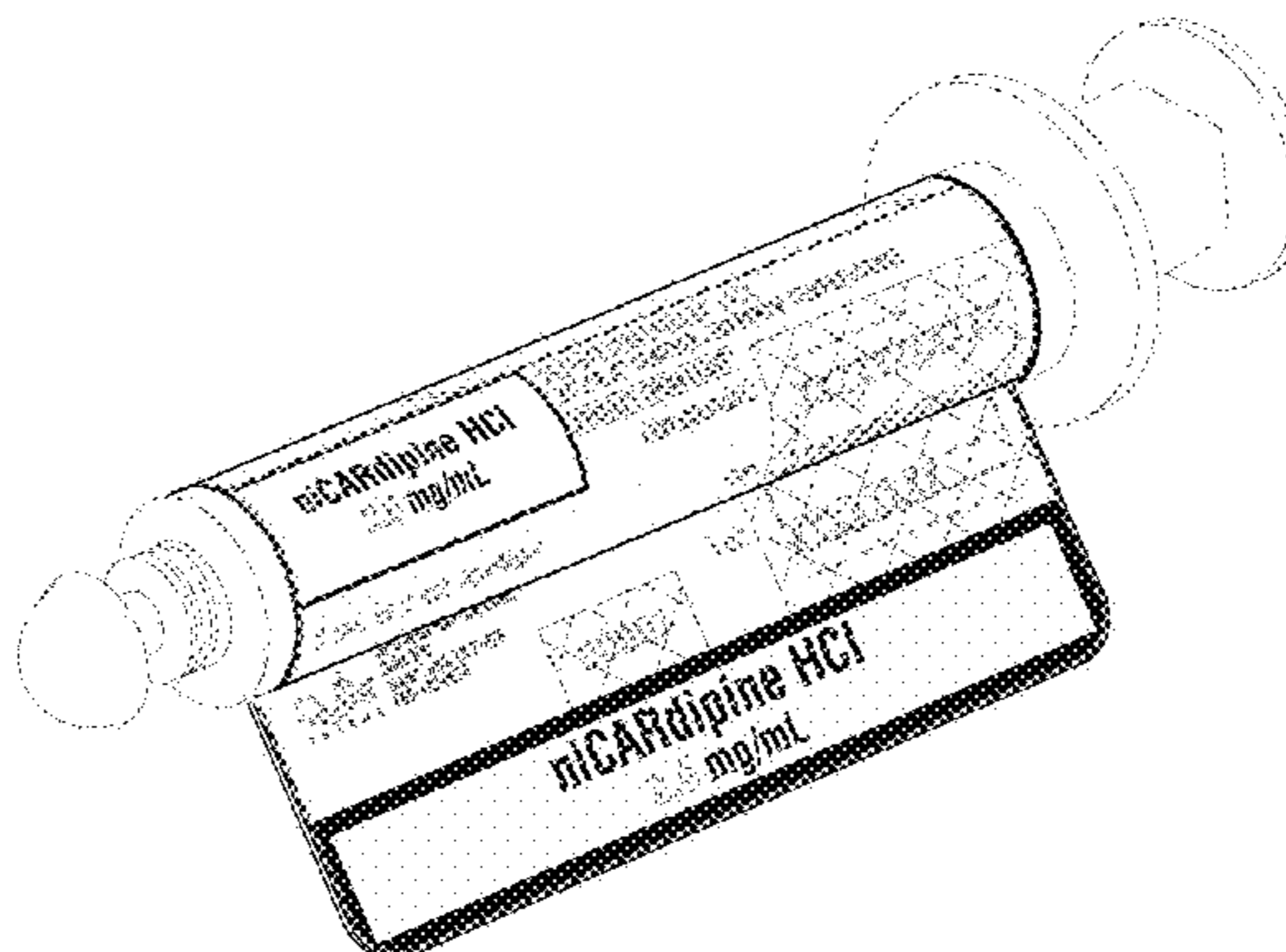
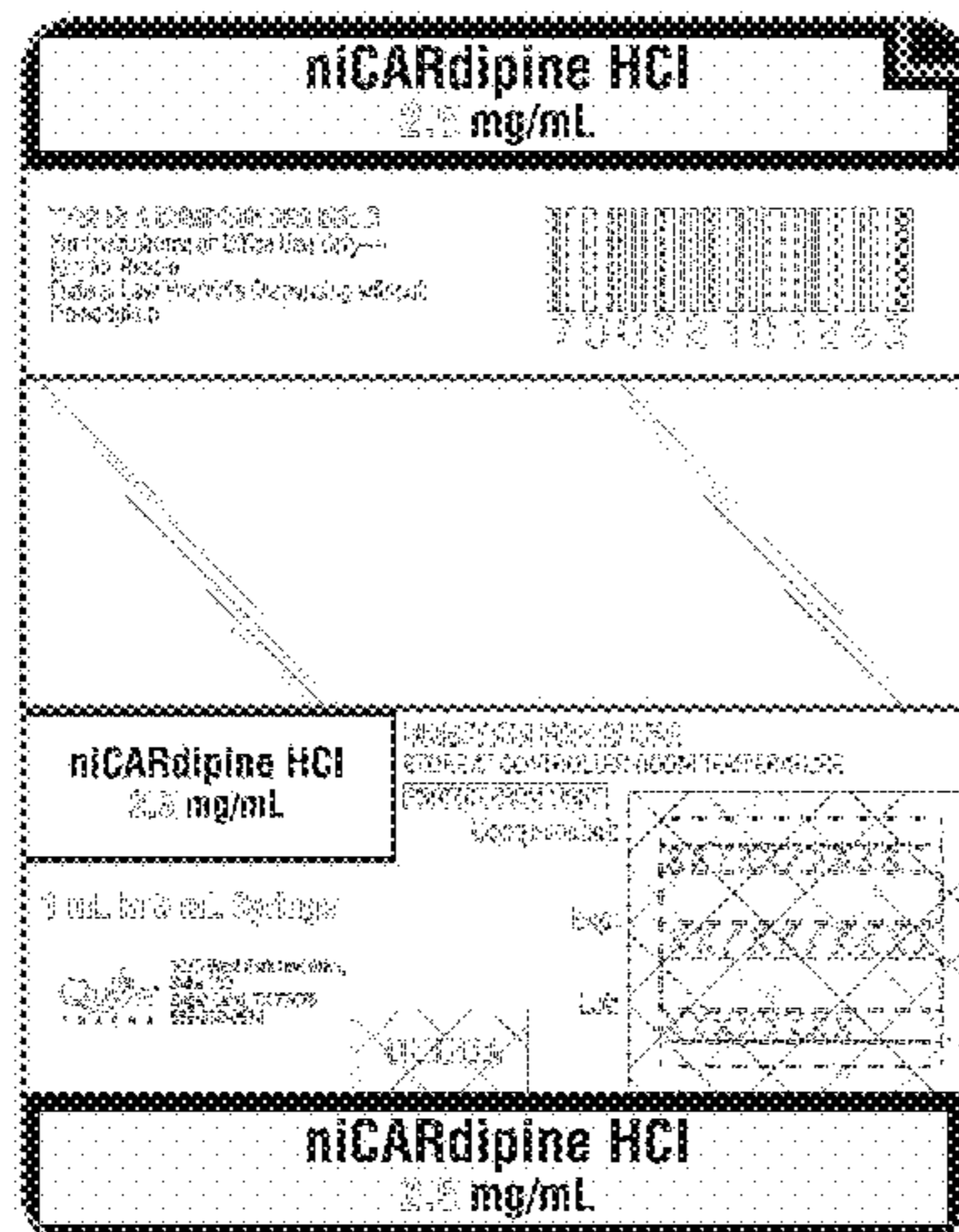




FIG. 22 is a bottom plan view thereof;  
FIG. 23 is a front elevation view thereof;  
FIG. 24 is a back elevation view thereof;  
FIG. 25 is a top plan view of the fourth embodiment of a drug syringe safety label, showing our new design;  
FIG. 26 is a perspective view of the fourth embodiment of a drug syringe safety label shown in an environment of use;  
FIG. 27 is a left side elevation view thereof;  
FIG. 28 is a right side elevation view thereof;  
FIG. 29 is a top plan view thereof;  
FIG. 30 is a bottom plan view thereof;  
FIG. 31 is a front elevation view thereof;  
FIG. 32 is a back elevation view thereof;  
FIG. 33 is a top plan view of the fifth embodiment of a drug syringe safety label, showing our new design;  
FIG. 34 is a perspective view of the fifth embodiment of a drug syringe safety label shown in an environment of use;  
FIG. 35 is a left side elevation view thereof;  
FIG. 36 is a right side elevation view thereof;  
FIG. 37 is a top plan view thereof;  
FIG. 38 is a bottom plan view thereof;  
FIG. 39 is a front elevation view thereof;  
FIG. 40 is a back elevation view thereof;  
FIG. 41 is a top plan view of the sixth embodiment of a drug syringe safety label, showing our new design;  
FIG. 42 is a perspective view of the sixth embodiment of a drug syringe safety label shown in an environment of use;  
FIG. 43 is a left side elevation view thereof;  
FIG. 44 is a right side elevation view thereof;  
FIG. 45 is a top plan view thereof;  
FIG. 46 is a bottom plan view thereof;  
FIG. 47 is a front elevation view thereof;  
FIG. 48 is a back elevation view thereof;  
FIG. 49 is a top plan view of the seventh embodiment of a drug syringe safety label, showing our new design;  
FIG. 50 is a perspective view of the seventh embodiment of a drug syringe safety label shown in an environment of use;  
FIG. 51 is a left side elevation view thereof;  
FIG. 52 is a right side elevation view thereof;  
FIG. 53 is a top plan view thereof;  
FIG. 54 is a bottom plan view thereof;  
FIG. 55 is a front elevation view thereof;  
FIG. 56 is a back elevation view thereof;  
FIG. 57 is a top plan view of the eighth embodiment of a drug syringe safety label, showing our new design;  
FIG. 58 is a perspective view of the eighth embodiment of a drug syringe safety label shown in an environment of use;  
FIG. 59 is a left side elevation view thereof;  
FIG. 60 is a right side elevation view thereof;  
FIG. 61 is a top plan view thereof;  
FIG. 62 is a bottom plan view thereof;  
FIG. 63 is a front elevation view thereof;  
FIG. 64 is a back elevation view thereof;  
FIG. 65 is a top plan view of the ninth embodiment of a drug syringe safety label, showing our new design;  
FIG. 66 is a perspective view of the ninth embodiment of a drug syringe safety label shown in an environment of use;  
FIG. 67 is a left side elevation view thereof;  
FIG. 68 is a right side elevation view thereof;  
FIG. 69 is a top plan view thereof;  
FIG. 70 is a bottom plan view thereof;  
FIG. 71 is a front elevation view thereof;  
FIG. 72 is a back elevation view thereof;  
FIG. 73 is a top plan view of the tenth embodiment of a drug syringe safety label, showing our new design;

FIG. 74 is a perspective view of the tenth embodiment of a drug syringe safety label shown in an environment of use;  
FIG. 75 is a left side elevation view thereof;  
FIG. 76 is a right side elevation view thereof;  
FIG. 77 is a top plan view thereof;  
FIG. 78 is a bottom plan view thereof;  
FIG. 79 is a front elevation view thereof;  
FIG. 80 is a back elevation view thereof;  
FIG. 81 is a top plan view of the eleventh embodiment of a drug syringe safety label, showing our new design;  
FIG. 82 is a perspective view of the eleventh embodiment of a drug syringe safety label shown in an environment of use;  
FIG. 83 is a left side elevation view thereof;  
FIG. 84 is a right side elevation view thereof;  
FIG. 85 is a top plan view thereof;  
FIG. 86 is a bottom plan view thereof;  
FIG. 87 is a front elevation view thereof;  
FIG. 88 is a back elevation view thereof;  
FIG. 89 is a top plan view of the twelfth embodiment of a drug syringe safety label, showing our new design;  
FIG. 90 is a perspective view of the twelfth embodiment of a drug syringe safety label shown in an environment of use;  
FIG. 91 is a left side elevation view thereof;  
FIG. 92 is a right side elevation view thereof;  
FIG. 93 is a top plan view thereof;  
FIG. 94 is a bottom plan view thereof;  
FIG. 95 is a front elevation view thereof;  
FIG. 96 is a back elevation view thereof;  
FIG. 97 is top plan view of the thirteenth embodiment of a drug syringe safety label, showing our new design;  
FIG. 98 is a perspective view of the thirteenth embodiment of a drug syringe safety label shown in an environment of use;  
FIG. 99 is a left side elevation view thereof;  
FIG. 100 is a right side elevation view thereof;  
FIG. 101 is a top plan view thereof;  
FIG. 102 is a bottom plan view thereof;  
FIG. 103 is a front elevation view thereof;  
FIG. 104 is a back elevation view thereof;  
FIG. 105 is a top plan view of the fourteenth embodiment of a drug syringe safety label, showing our new design;  
FIG. 106 is a perspective view of the fourteenth embodiment of a drug syringe safety label shown in an environment of use;  
FIG. 107 is a left side elevation view thereof;  
FIG. 108 is a right side elevation view thereof;  
FIG. 109 is a top plan view thereof;  
FIG. 110 is a bottom plan view thereof;  
FIG. 111 is a front elevation view thereof;  
FIG. 112 is a back elevation view thereof;  
FIG. 113 is top plan view of the fifteenth embodiment of a drug syringe safety label, showing our new design;  
FIG. 114 is a perspective view of the fifteenth embodiment of a drug syringe safety label shown in an environment of use;  
FIG. 115 is a left side elevation view thereof;  
FIG. 116 is a right side elevation view thereof;  
FIG. 117 is a top plan view thereof;  
FIG. 118 is a bottom plan view thereof;  
FIG. 119 is a front elevation view thereof;  
FIG. 120 is a back elevation view thereof;  
FIG. 121 is a top plan view of the sixteenth embodiment of a drug syringe safety label, showing our new design;



FIG. 122 is a perspective view of the sixteenth embodiment of a drug syringe safety label shown in an environment of use;

FIG. 123 is a left side elevation view thereof;

FIG. 124 is a right side elevation view thereof;

FIG. 125 is a top plan view thereof;

FIG. 126 is a bottom plan view thereof;

FIG. 127 is a front elevation view thereof;

FIG. 128 is a back elevation view thereof;

FIG. 129 is an unfolded top plan view of the seventeenth embodiment of a drug syringe safety label, showing our new design;

FIG. 130 is a perspective view of the seventeenth embodiment of a drug syringe safety label shown in an environment of use;

FIG. 131 is a left side elevation view thereof;

FIG. 132 is a right side elevation view thereof;

FIG. 133 is a top plan view thereof;

FIG. 134 is a bottom plan view thereof;

FIG. 135 is a front elevation view thereof; and,

FIG. 136 is a back elevation view thereof.

The broken line portion of the drug syringe safety label is included to show portions of the article that form no part of the claimed design. The syringe shown in broken lines illustrates environment that forms no part of the claimed design.

**1 Claim, 119 Drawing Sheets  
(119 of 119 Drawing Sheet(s) Filed in Color)**

**(58) Field of Classification Search**

CPC ..... G09F 1/00; G09F 1/02; G09F 3/00; G09F 3/02; G09F 3/10; G09F 3/14; G09F 3/0288; G09F 2003/0021; G09F 2003/0208; G09F 2003/023; G09F 2003/0225; G09F 2003/0257; G09F 2003/0264; G09F 2003/0266; G09F 2003/0267; G09F 2003/0269; G09F 2003/0272; G09F 2003/0273; G09F 2003/0279; B42D 15/00

See application file for complete search history.

**(56) References Cited**

**U.S. PATENT DOCUMENTS**

4,621,729 A \* 11/1986 Jackson ..... A61G 12/00  
150/147  
4,884,827 A 12/1989 Kelley  
D311,423 S \* 10/1990 DeSantis ..... D20/22  
D360,578 S \* 7/1995 Dees ..... D20/18  
5,651,775 A 7/1997 Walker et al.  
6,068,300 A \* 5/2000 Vijuk ..... B42D 1/006  
281/2  
D435,662 S \* 12/2000 Stevens ..... D20/22  
D435,663 S \* 12/2000 Stevens ..... D20/22  
D435,664 S \* 12/2000 Stevens ..... D20/22  
6,158,778 A \* 12/2000 Vijuk ..... B42D 1/006  
281/2  
D436,182 S 1/2001 Stevens et al.  
D436,183 S \* 1/2001 Stevens ..... D20/22  
D444,885 S \* 7/2001 Conway ..... D20/22  
D444,886 S \* 7/2001 Conway ..... D20/22  
6,685,678 B2 2/2004 Evans et al.  
6,966,897 B2 11/2005 Shimazaki  
7,469,518 B2 12/2008 Baldwin  
D588,200 S 3/2009 Langan et al.  
D589,566 S \* 3/2009 Lee ..... D20/19

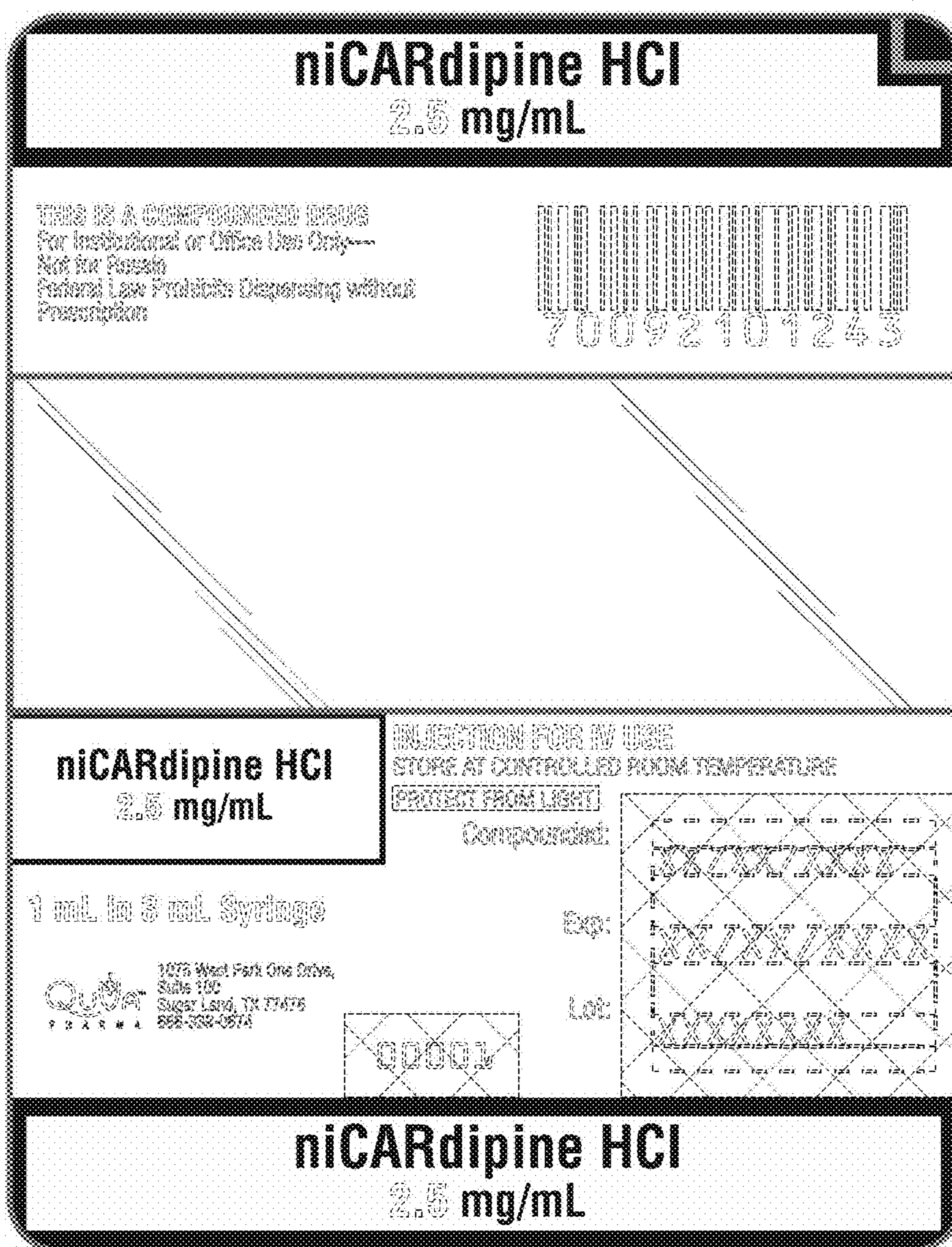
D593,613 S 6/2009 Langan et al.  
D595,361 S 6/2009 Langan et al.  
D597,608 S 8/2009 Langan et al.  
D602,534 S 10/2009 Langan et al.  
D603,455 S \* 11/2009 Griena ..... D20/11  
D605,228 S 12/2009 Langan et al.  
D605,229 S 12/2009 Langan et al.  
D605,230 S 12/2009 Langan et al.  
D607,941 S 1/2010 Langan et al.  
D614,703 S 4/2010 Langan et al.  
D621,879 S 8/2010 Langan et al.  
D621,880 S 8/2010 Langan et al.  
D624,595 S 9/2010 Langan et al.  
D624,596 S 9/2010 Langan et al.  
7,815,123 B2 10/2010 Conner et al.  
D628,649 S 12/2010 Dean, Jr.  
D633,151 S 2/2011 Langan et al.  
D634,367 S 3/2011 Langan et al.  
D634,368 S \* 3/2011 Langan ..... D20/27  
D634,369 S 3/2011 Langan et al.  
7,918,830 B2 4/2011 Langan et al.  
D639,861 S \* 6/2011 Langan ..... D20/27  
D639,862 S \* 6/2011 Langan ..... D20/27  
D639,863 S \* 6/2011 Langan ..... D20/27  
D641,421 S 7/2011 Langan et al.  
D641,422 S 7/2011 Langan et al.  
D643,468 S 8/2011 Langan et al.  
D643,469 S 8/2011 Langan et al.  
D643,470 S 8/2011 Langan et al.  
D643,471 S 8/2011 Langan et al.  
D643,472 S 8/2011 Langan et al.  
D645,094 S 9/2011 Langan et al.  
D649,196 S 11/2011 Langan et al.  
D661,742 S \* 6/2012 Clark ..... D20/27  
8,281,929 B2 10/2012 Franks et al.  
8,356,434 B2 1/2013 Alipour  
8,382,717 B2 2/2013 Langan et al.  
D677,732 S \* 3/2013 Clark ..... D20/22  
D679,333 S \* 4/2013 Jabara ..... D20/27  
8,858,506 B2 10/2014 Langan et al.  
9,867,947 B2 1/2018 Appelbaum  
D814,630 S 4/2018 Finke et al.  
10,095,997 B2 10/2018 Adler et al.  
D861,796 S \* 10/2019 Hahn ..... D20/27  
D877,255 S \* 3/2020 Iglesias ..... D20/27  
D905,788 S \* 12/2020 Kumar ..... D20/27  
2008/0188814 A1 8/2008 Lavi-Loebl et al.  
2015/0025472 A1 1/2015 Colwell  
2016/0321962 A1 11/2016 Koltchine et al.

**OTHER PUBLICATIONS**

ASTM International; Designation: D4775/D4775M-09; Standard Specification for Identification and Configuration of Prefilled Syringes and Delivery Systems for Drugs (Excluding Pharmacy Bulk Packages); 2014; 2 pgs.  
Medi-Dose EPS Flag and Receipt Labels—Thermal LDF100-T, <https://www.medidose.com/flagandreceiptlabels-largethermal-ldf100-t.aspx>; Mar. 20, 2019; 5 pgs.  
Guidance for Industry; Safety Considerations for Container Labels and Carton Labeling Design to Minimize Medication Errors, Draft Guidance, Apr. 19, 2013; 26 pgs.  
DevineMedical; Health Care Logistics 6026 Flag Label Label, [https://www.devinemedical.com/6026-Flag\\_Label\\_Laser-h/hcl-6026.html](https://www.devinemedical.com/6026-Flag_Label_Laser-h/hcl-6026.html); Mar. 19, 2019; 5 pgs.  
Differences in strength expression on product labels of compounders and conventional manufacturers may lead to Tosing errors (Sep. 24, 2018); 7 pages.  
FDA Guidance Needed to Assure Safe Labeling Practices by 503A and 503B Compounders (Mar. 22, 2018); 7 pages.  
Safetywires, Phenylephrine overdose, Nurse AdviseERR, Jan. 2019, vol. 17, issue 1, pp. 3-5.  
USP <7> Labeling, Revision Bulletin (Apr. 26, 2019); 9 pages.

\* cited by examiner

FIG. 1

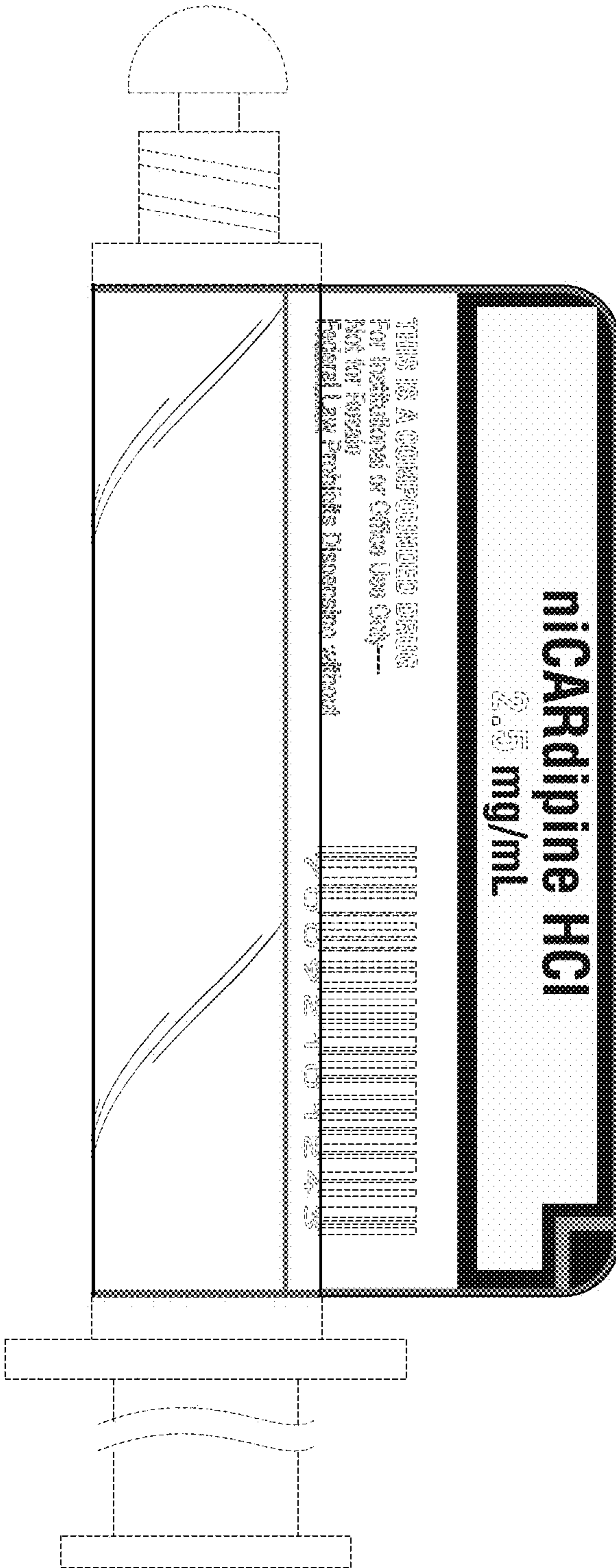






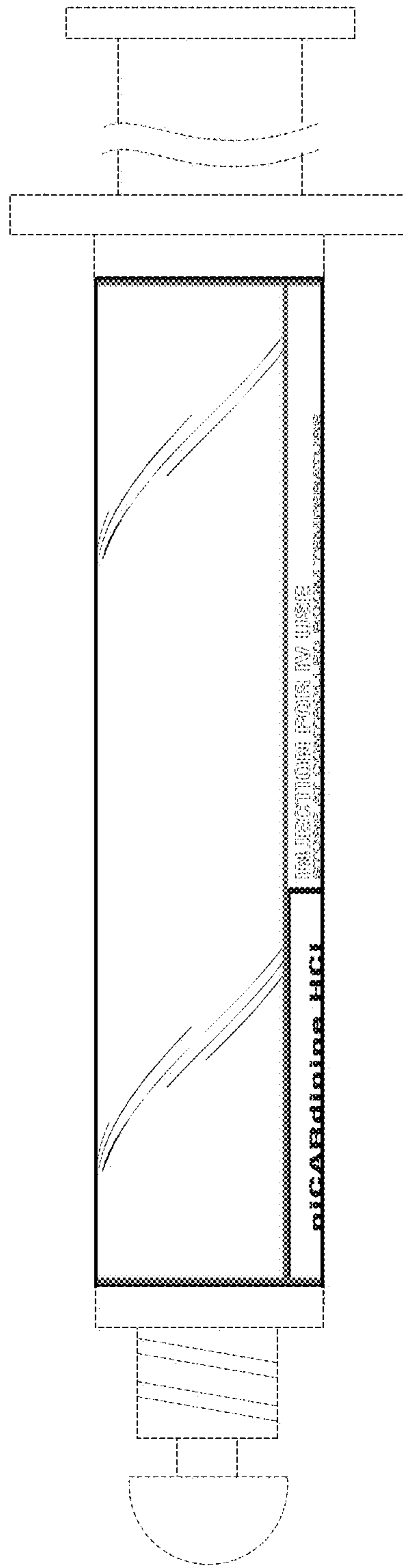
**FIG. 2**





**FIG. 4**

**FIG. 5**





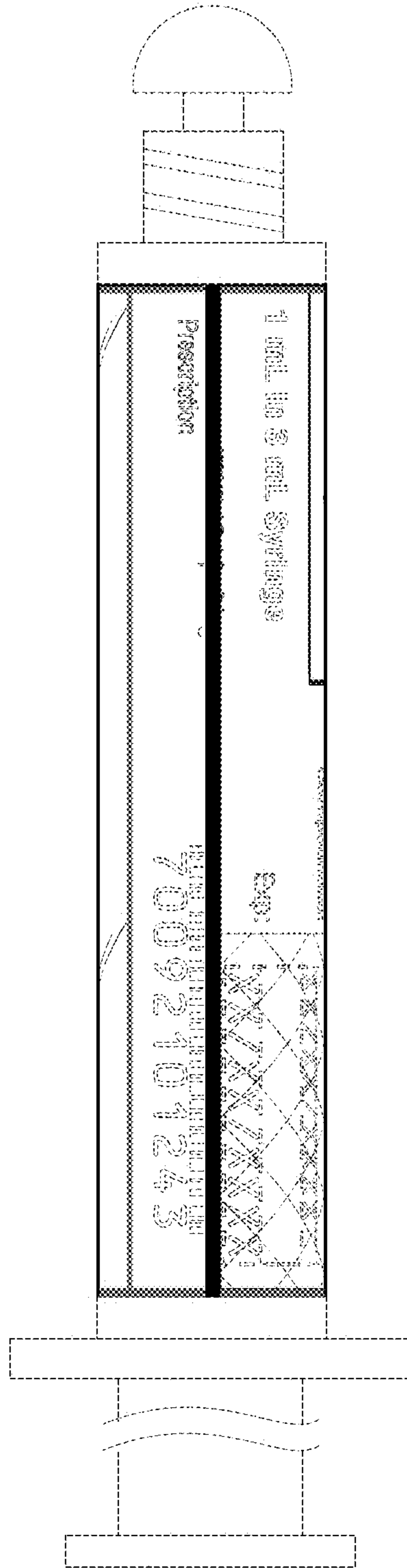
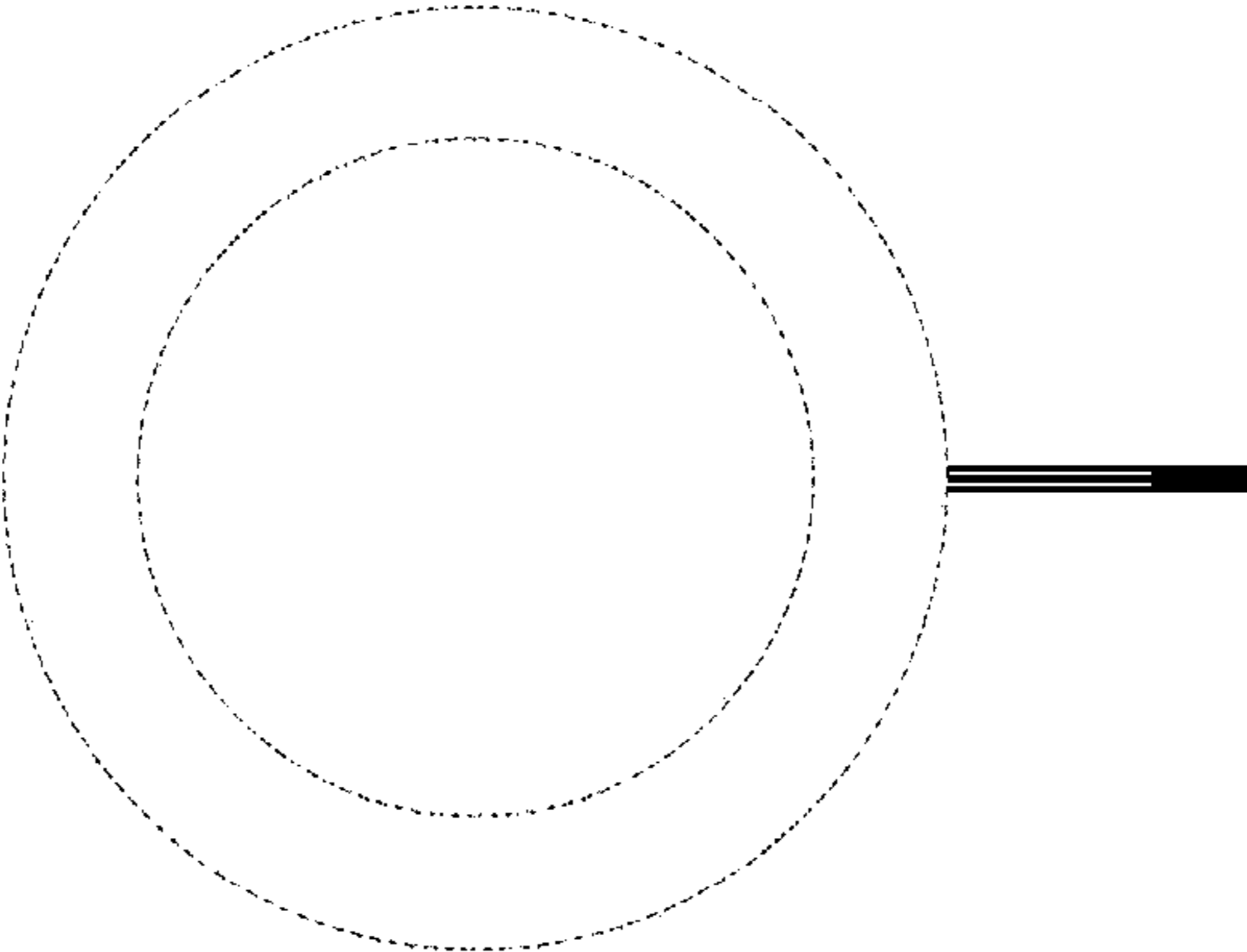


FIG. 6

**FIG. 8**



**FIG. 7**

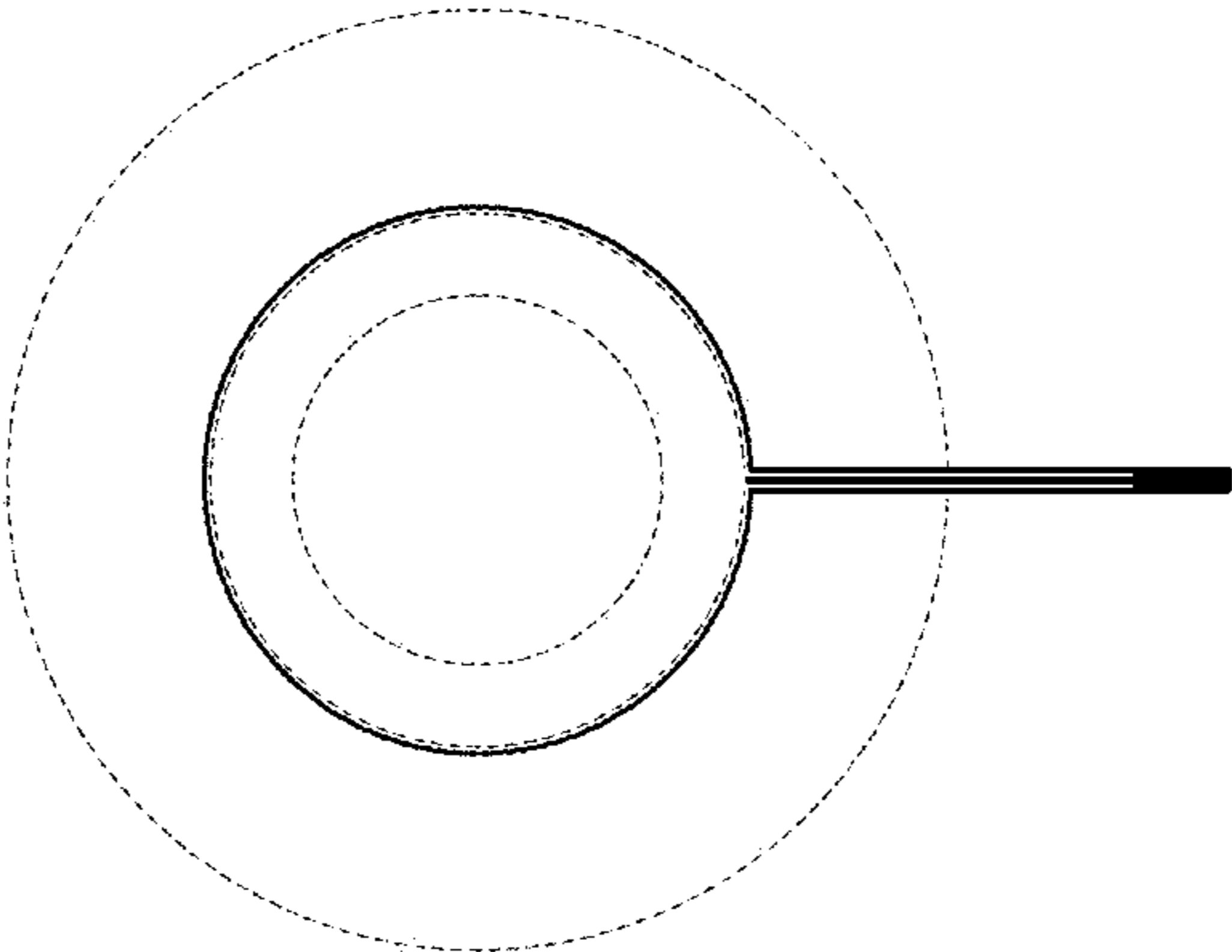
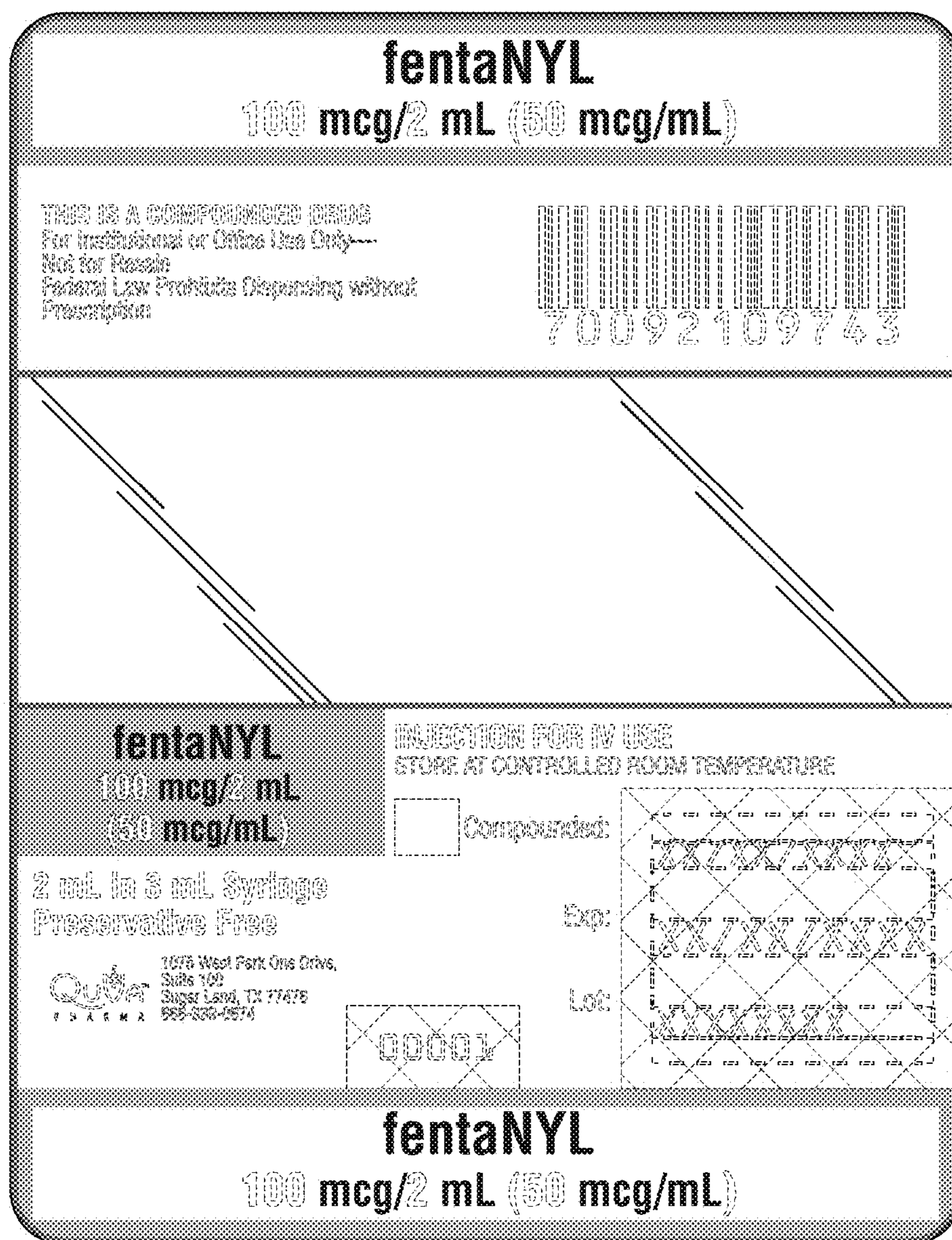




FIG. 9



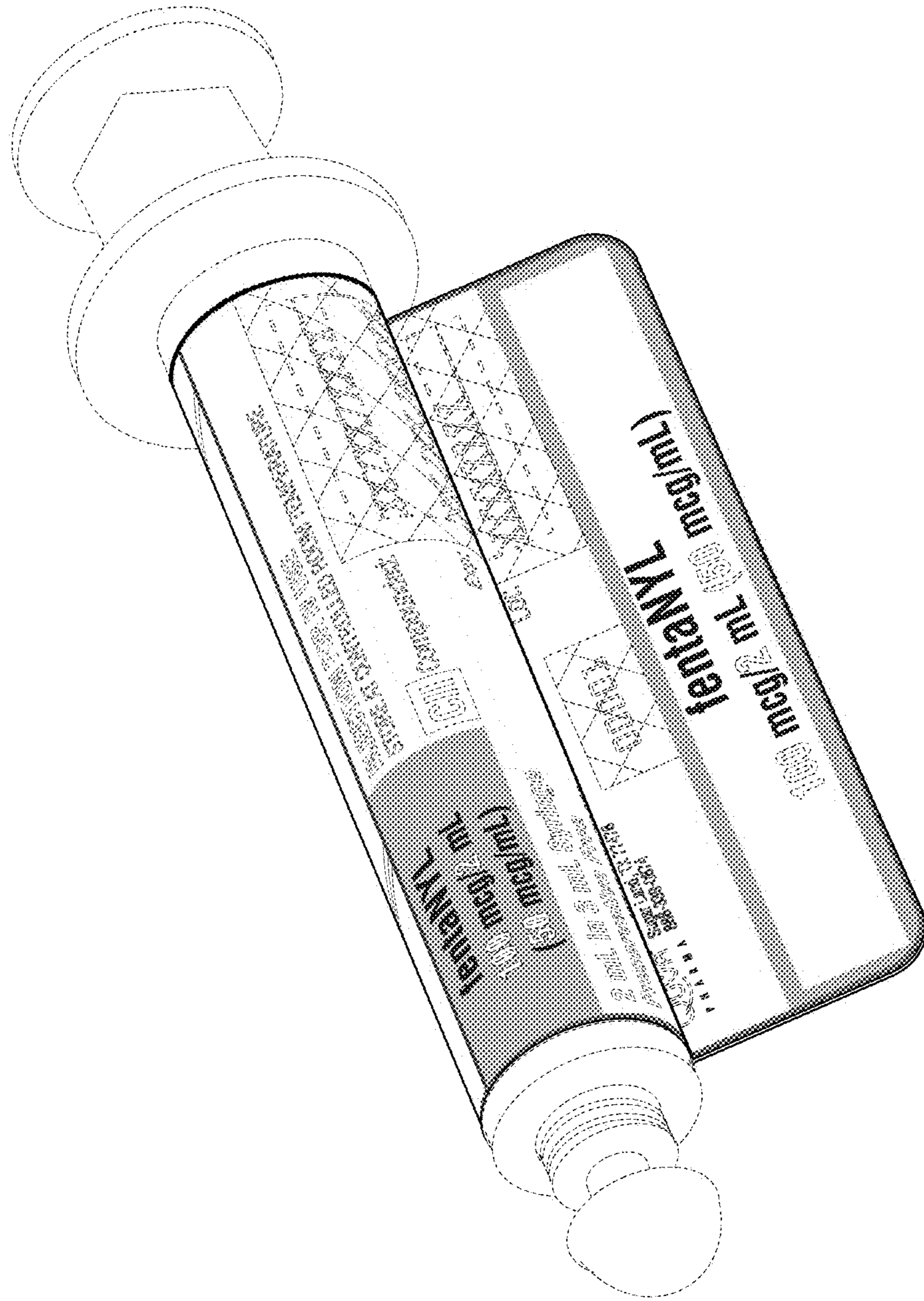
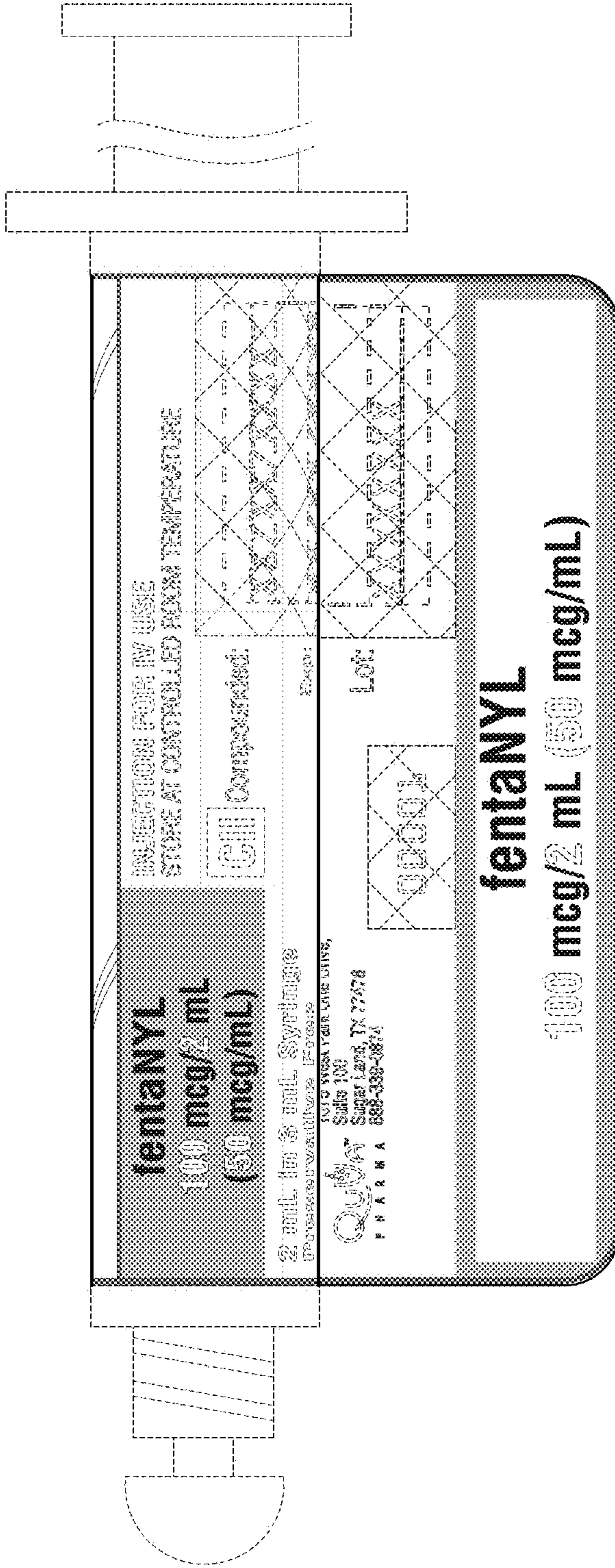


FIG. 10



FIG. 11



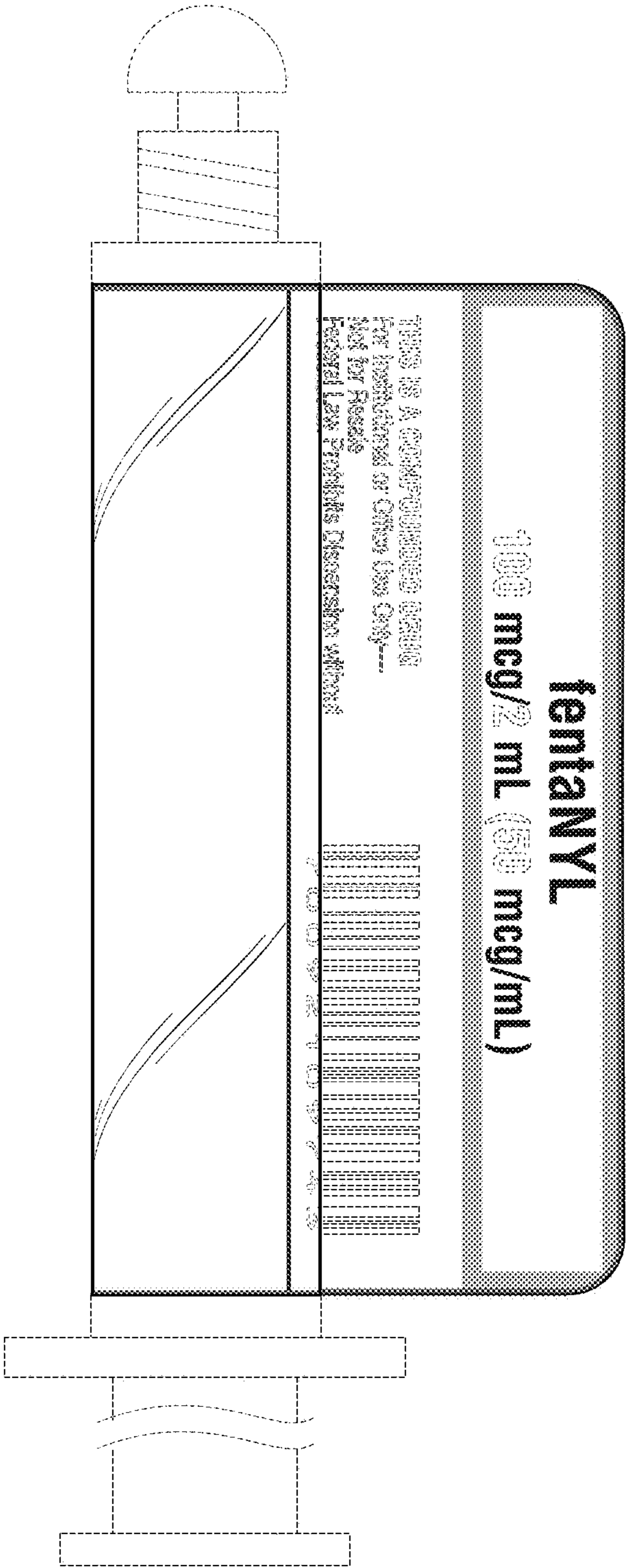
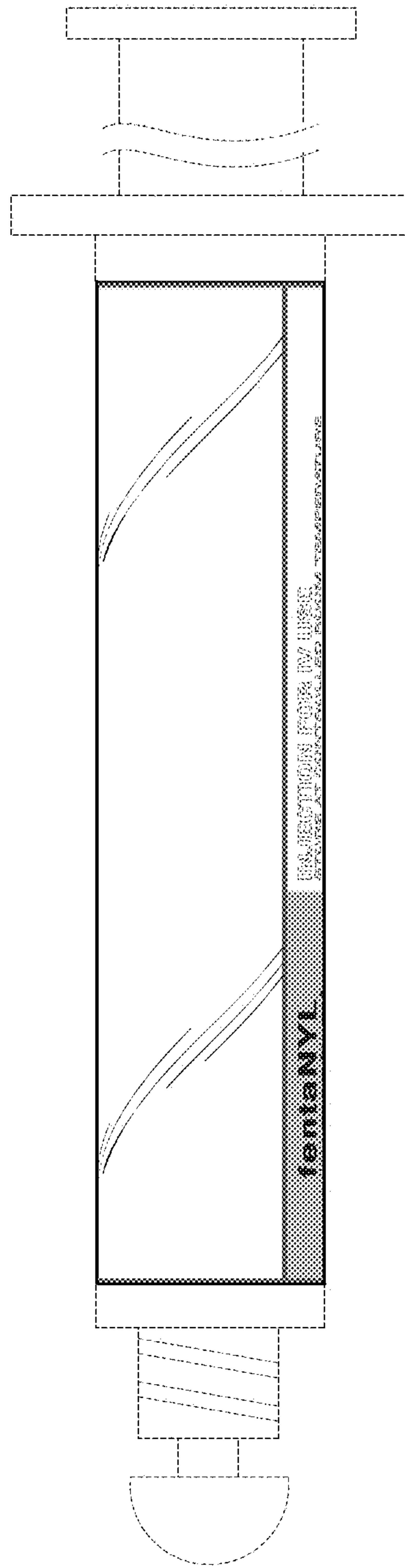


FIG. 12



**FIG. 13**



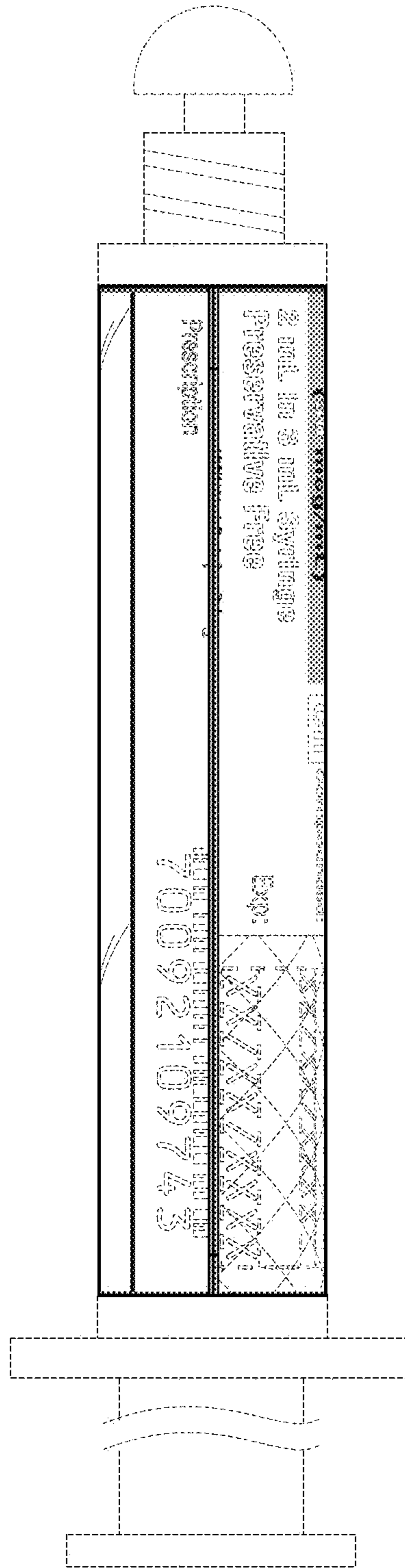
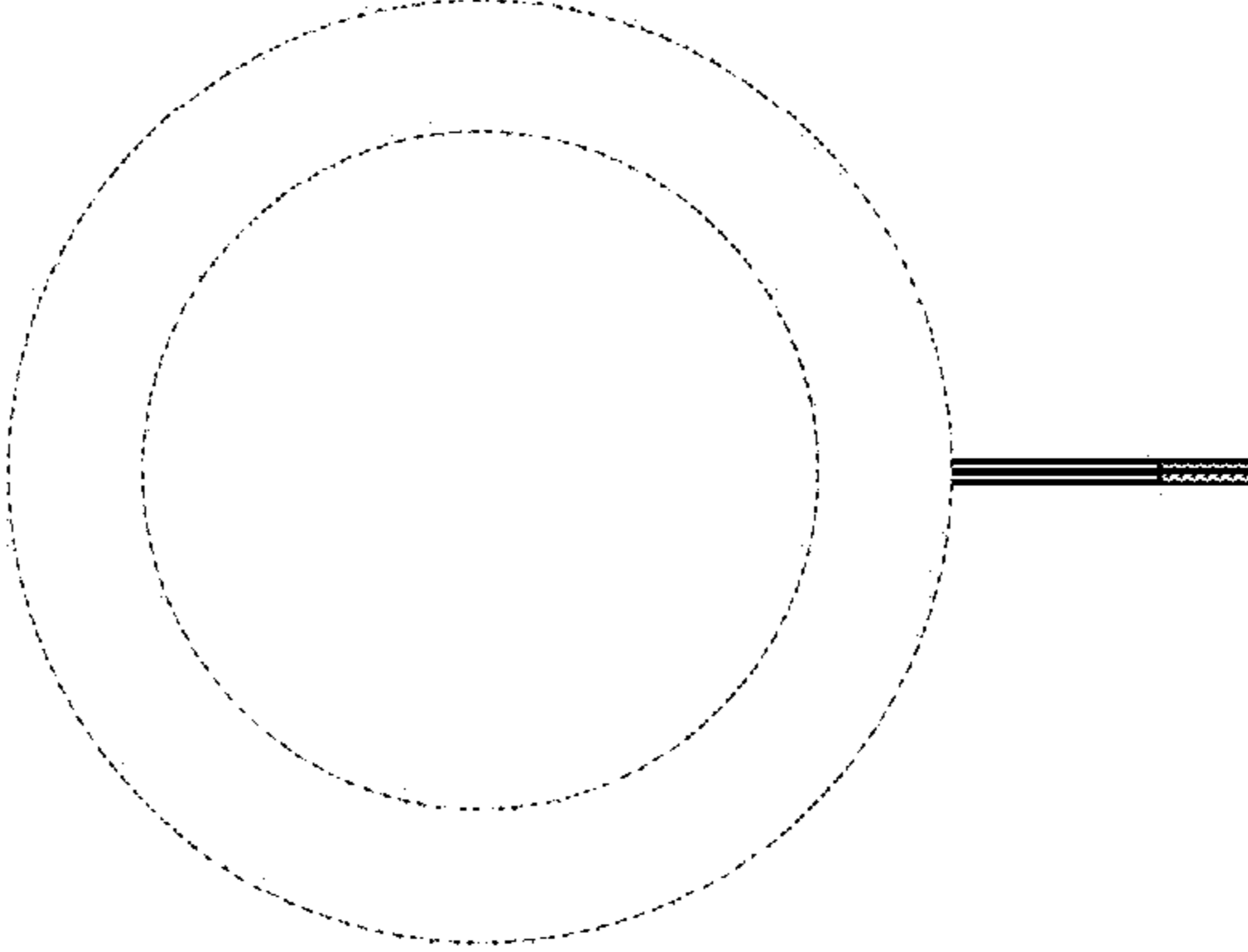


FIG. 14

**FIG. 16**



**FIG. 15**

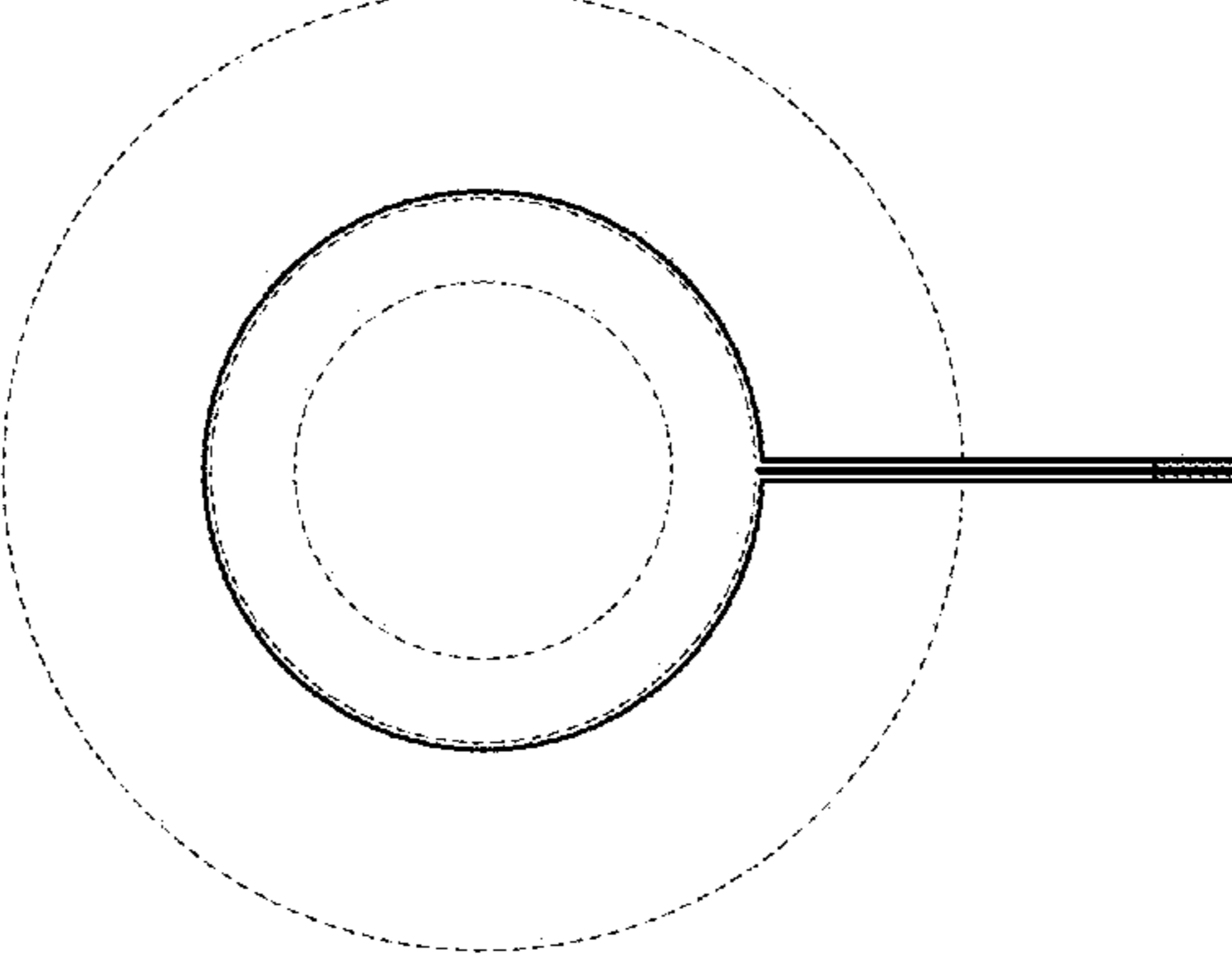




FIG. 17

**ePHEDrine Sulfate**  
25 mg/5 mL (5 mg/mL)

---

THIS IS A COMPOUNDED DRUG  
For Institutional or Office Use Only—  
Not for Resale  
Federal Law Prohibits Dispensing  
without Prescription  
To Report SUSPECTED ADVERSE REACTIONS,  
contact QuVa Pharma at 877-296-0190, or FDA  
at [www.FDA.gov/medwatch](http://www.FDA.gov/medwatch) or 1-800-FDA-1088.

INJECTION FOR IV USE  
STORE AT CONTROLLED  
ROOM TEMPERATURE

PROTECT FROM LIGHT

---

**ePHEDrine Sulfate**  
25 mg/5 mL  
(5 mg/mL)

In 0.9% Sodium Chloride  
5 mL in 5 mL Syringe  
Preservative Free

1075 West Park One Drive,  
Suite 100  
Sugar Land, TX 77478  
888-839-0874

00001

70092115244

Compounded:

XX/XX/XXXX

XX/XX/XXXX

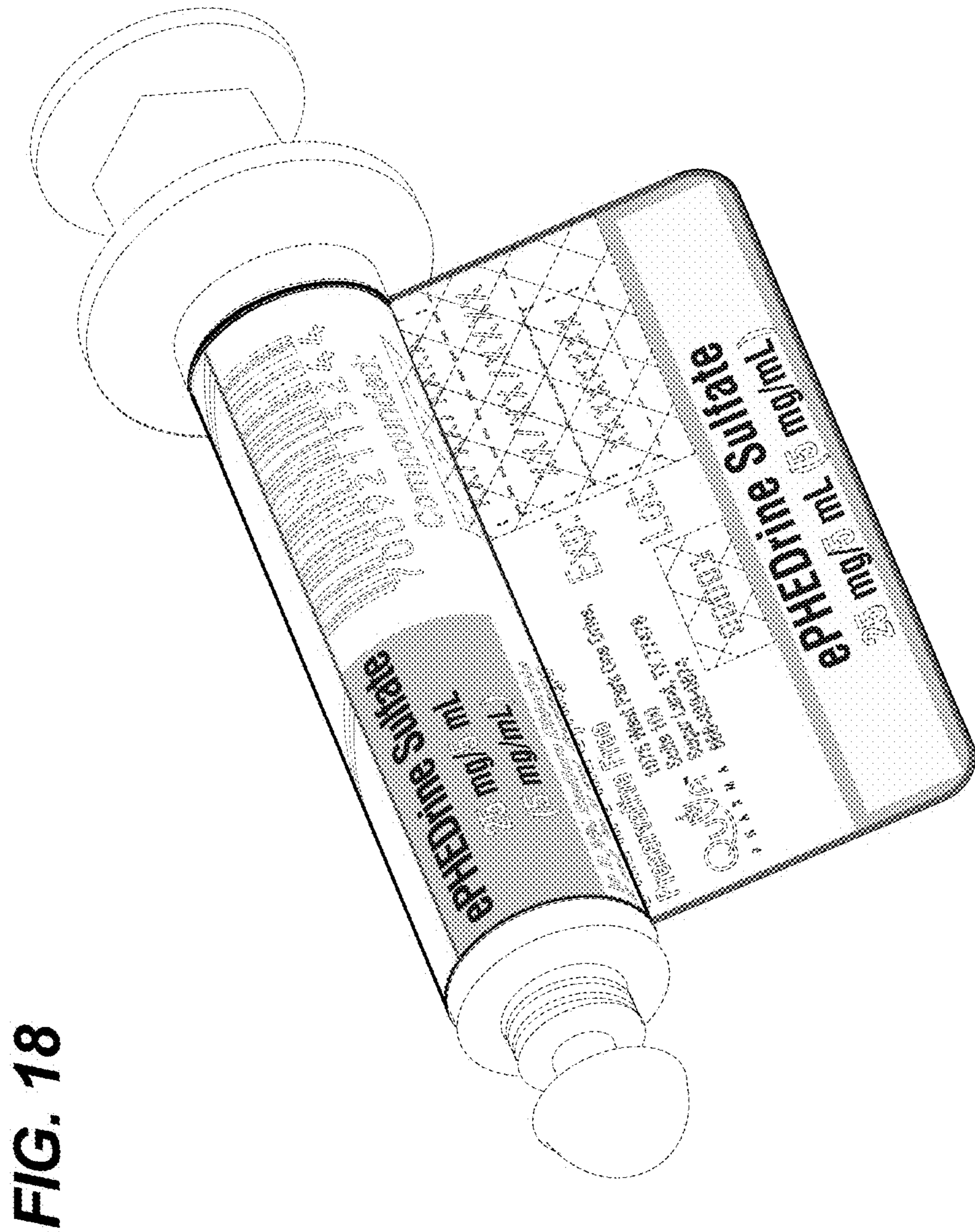
XXXXXXXX

Exp: \_\_\_\_\_

Lot: \_\_\_\_\_

---

**ePHEDrine Sulfate**  
25 mg/5 mL (5 mg/mL)









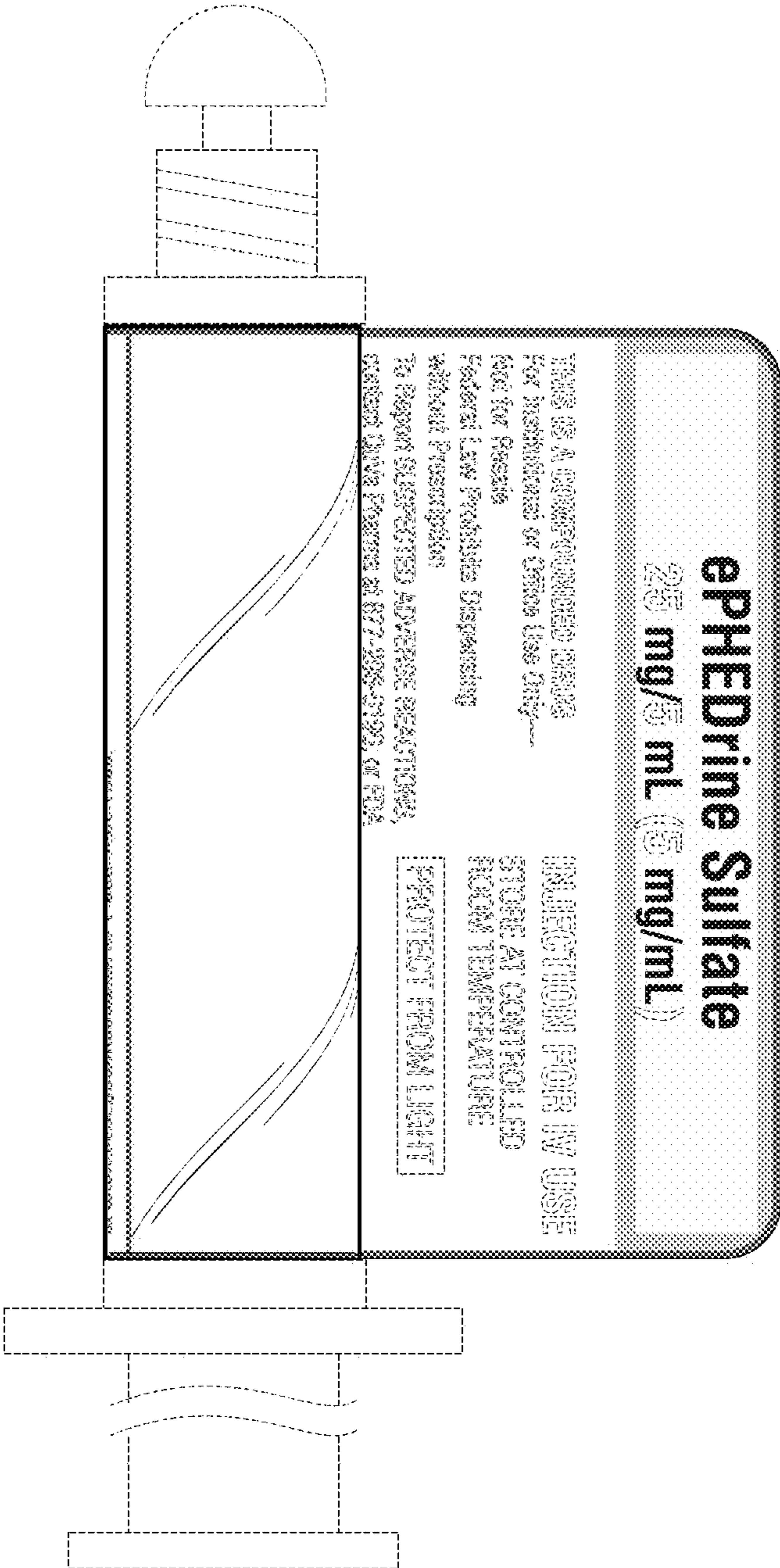
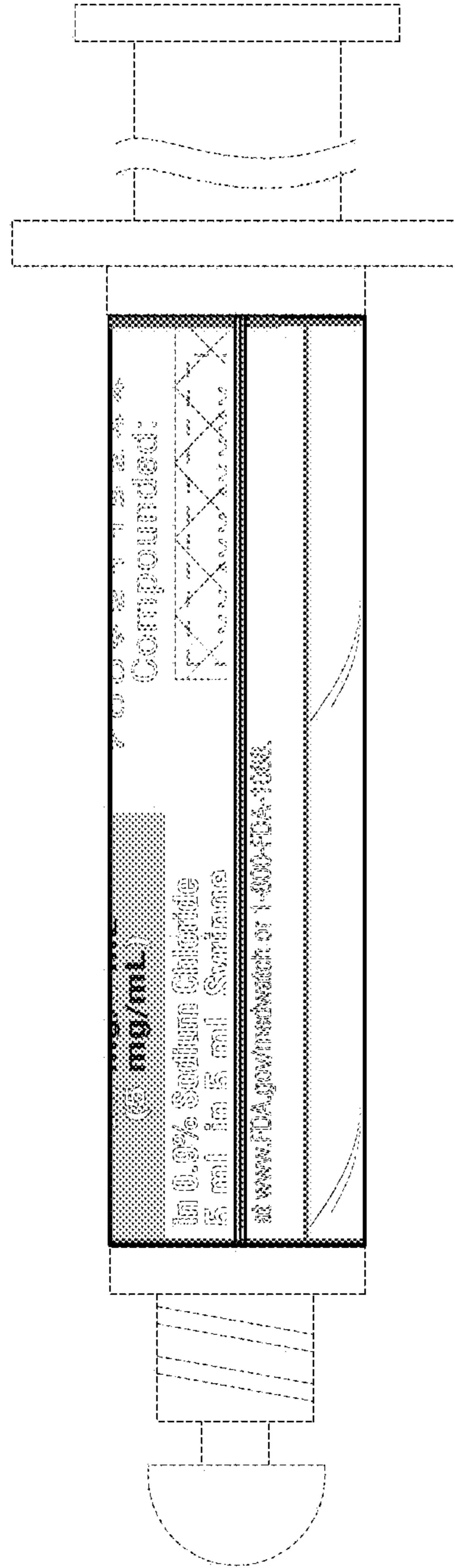
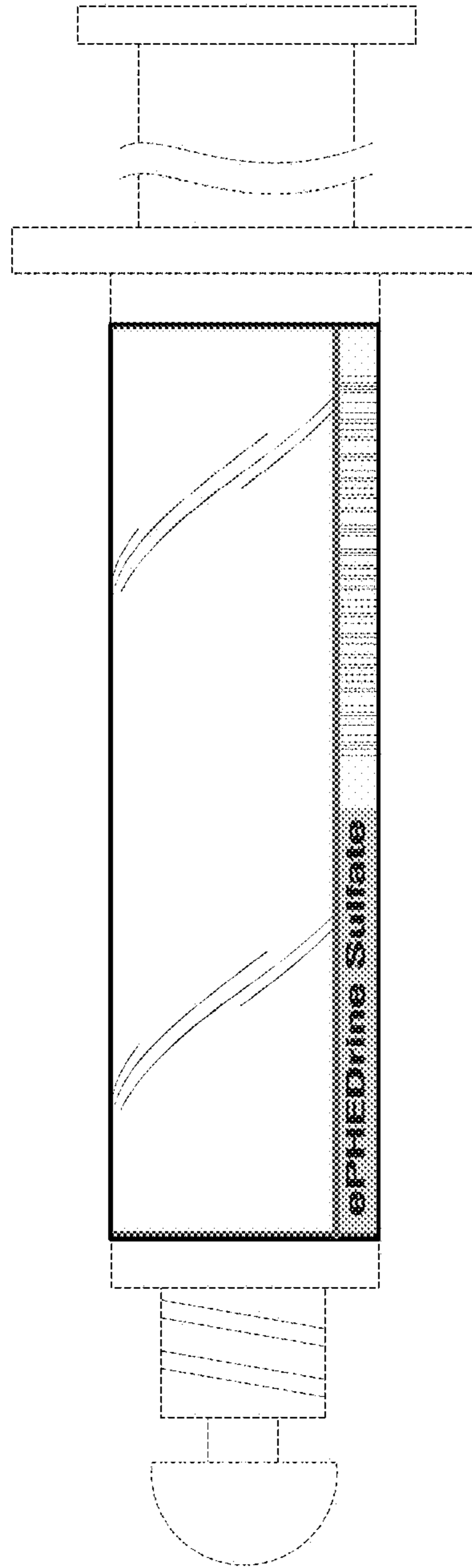


FIG. 20

**FIG. 21**

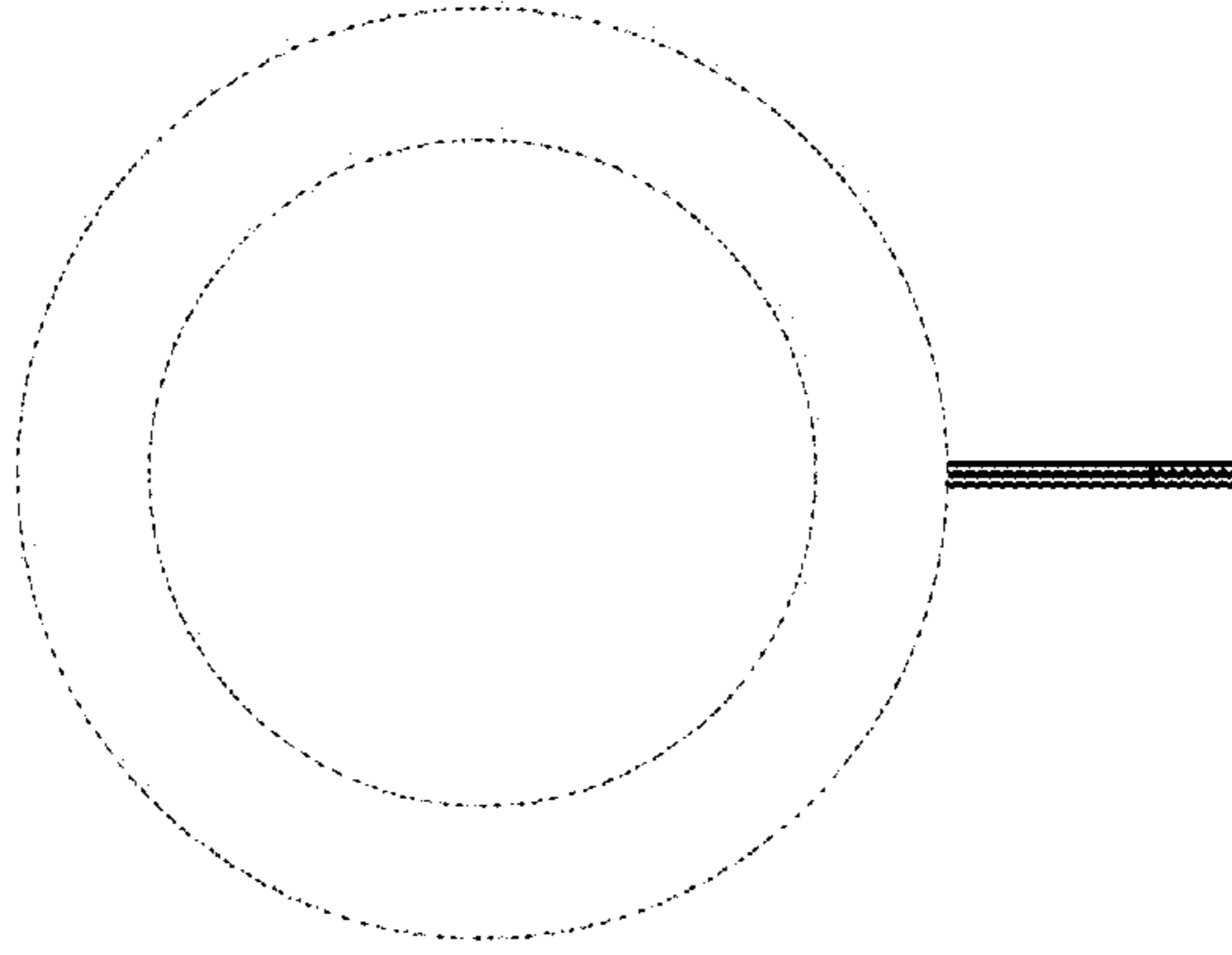


**FIG. 22**





**FIG. 24**



**FIG. 23**

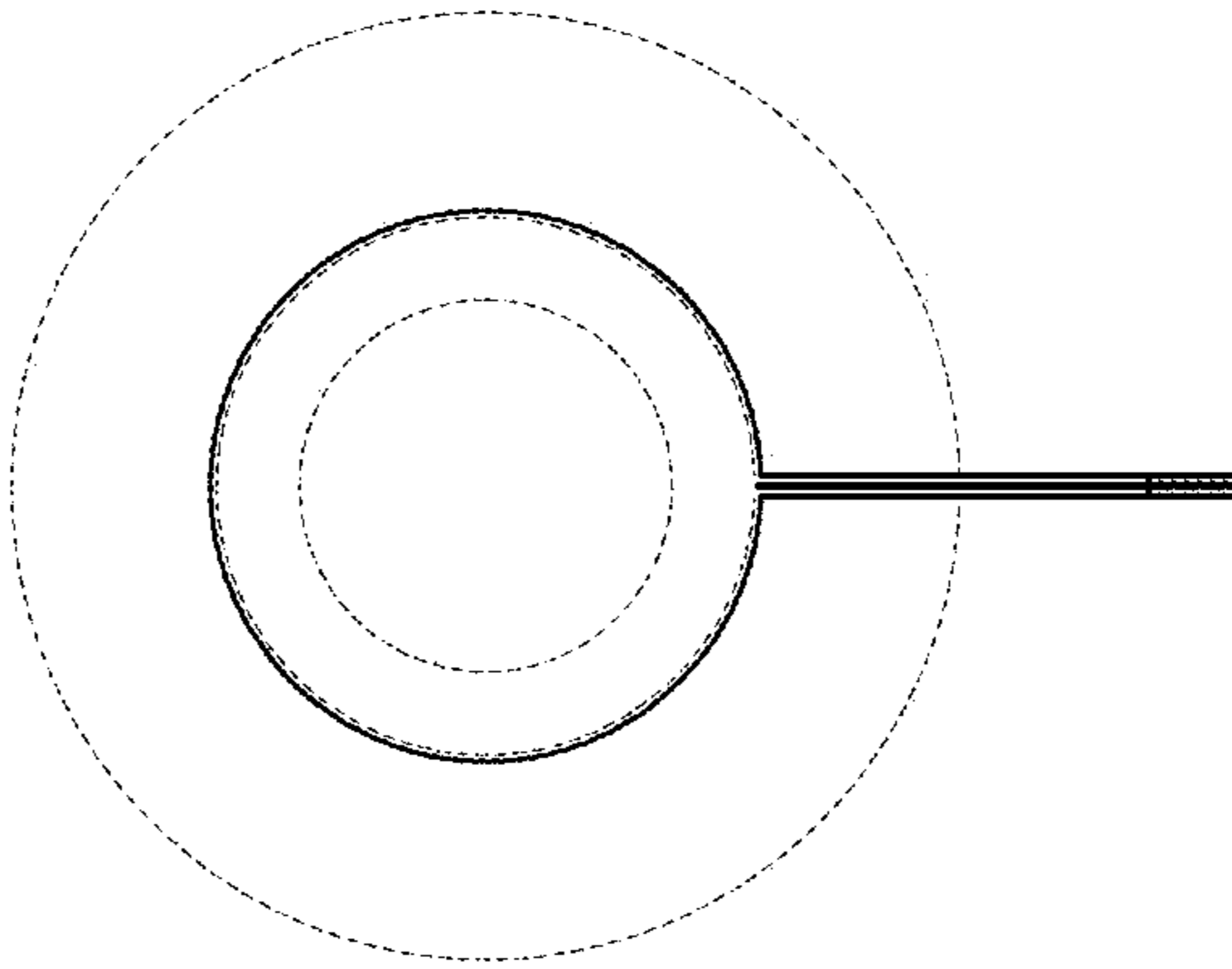
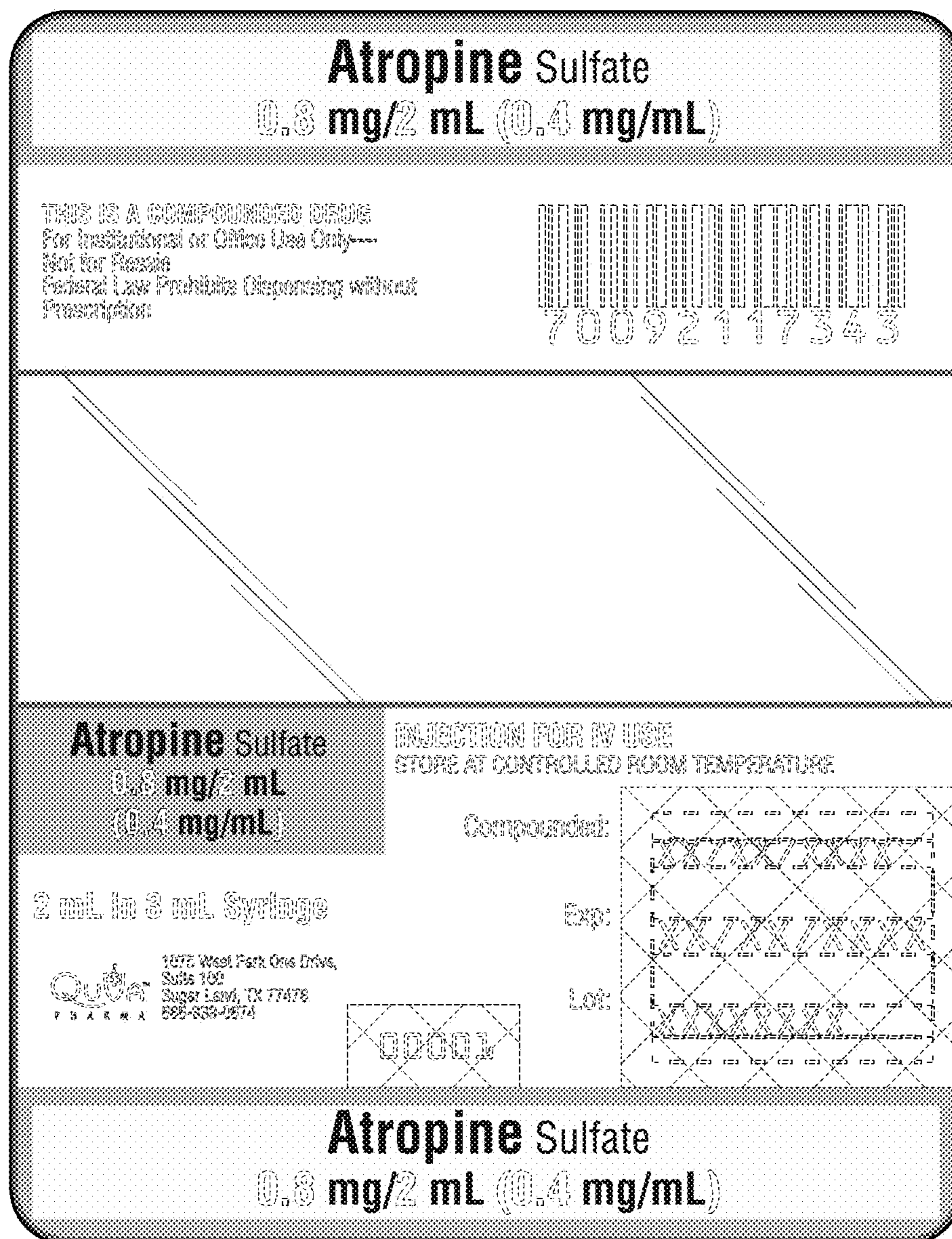


FIG. 25



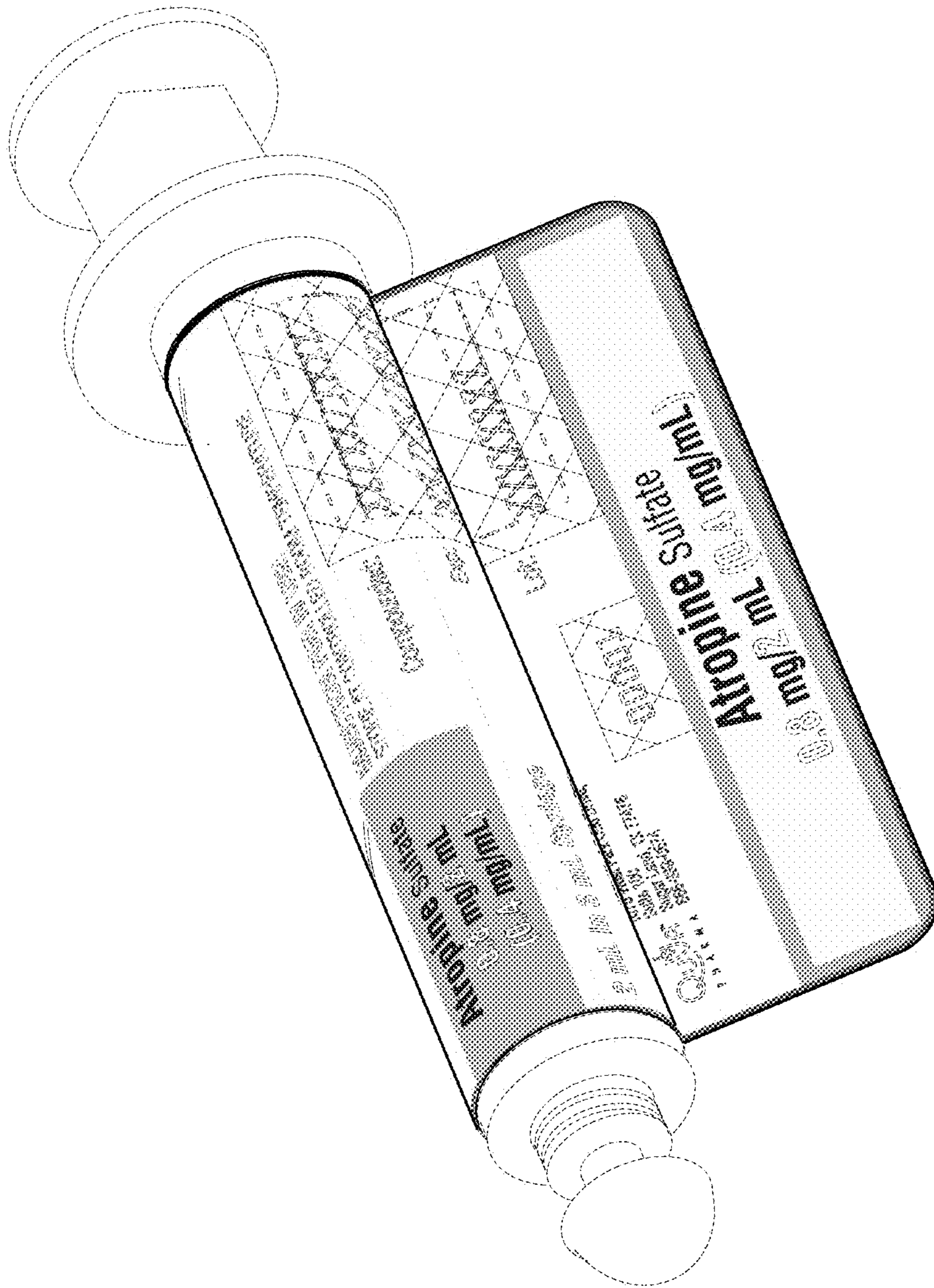
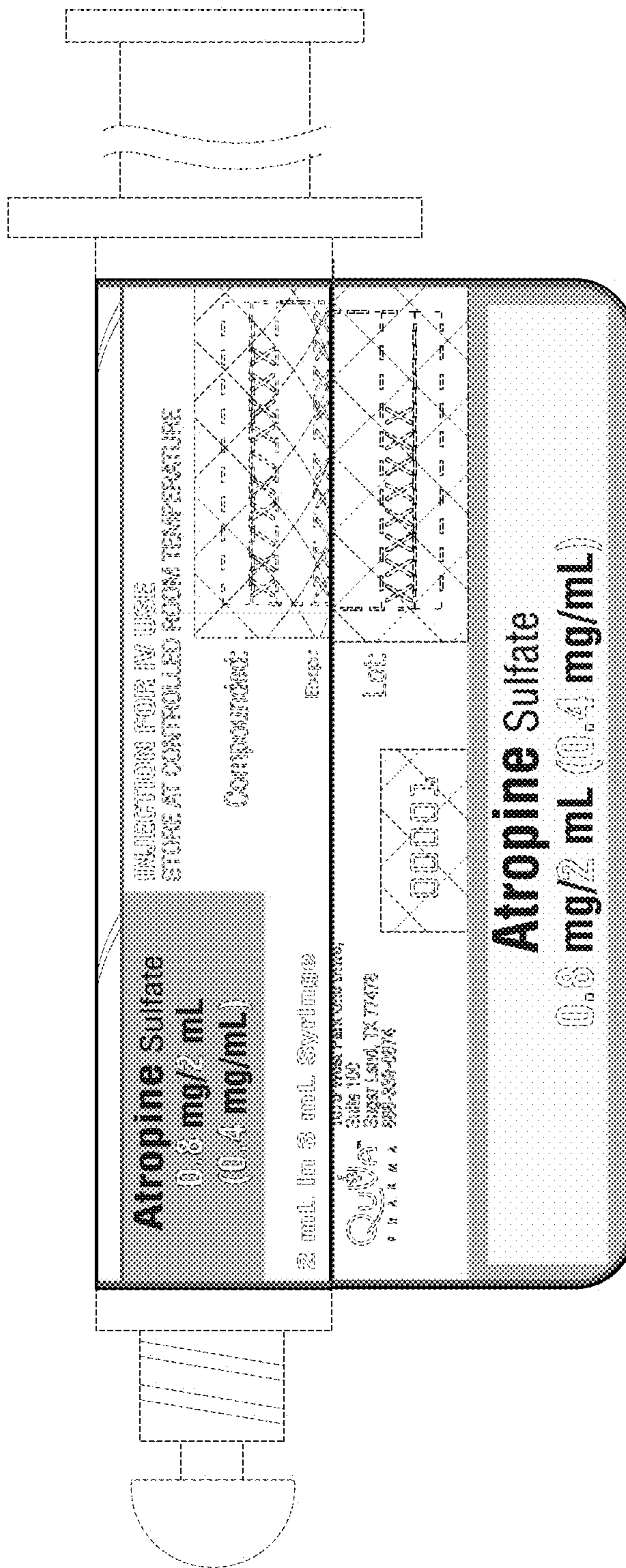


FIG. 26



FIG. 27



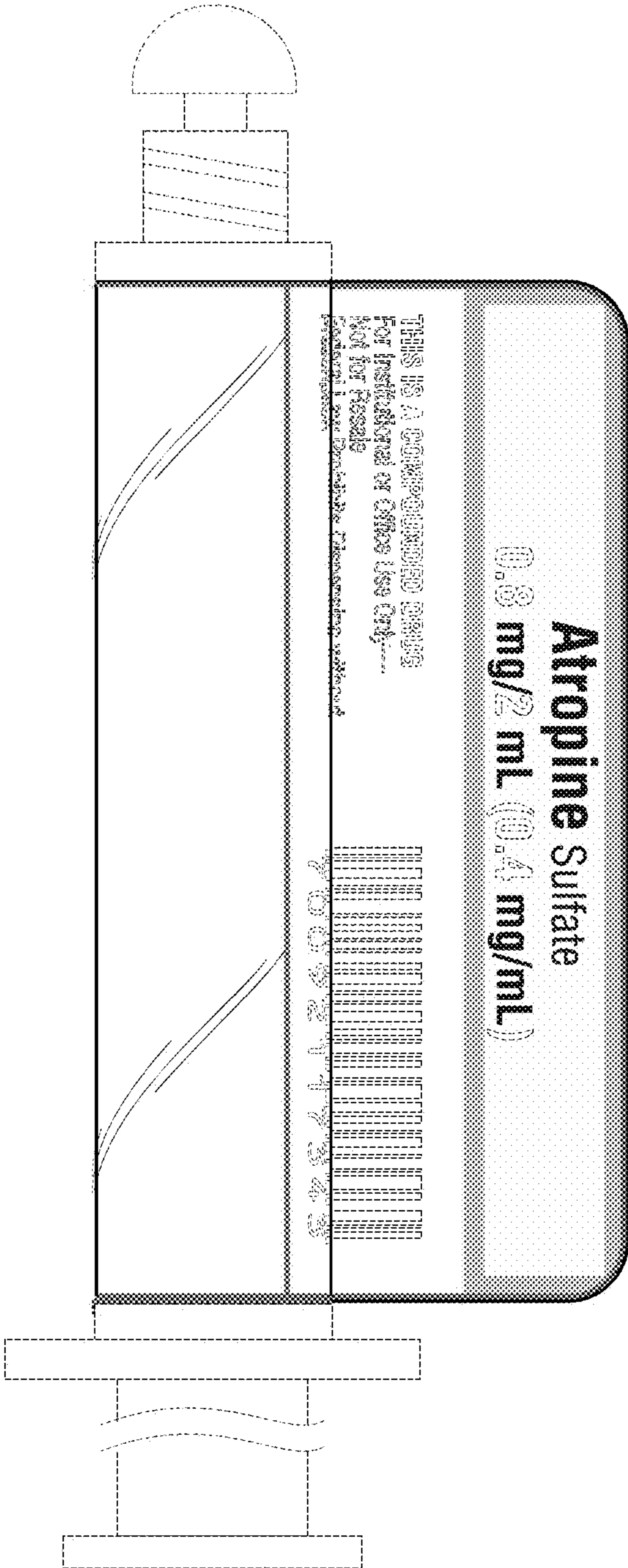
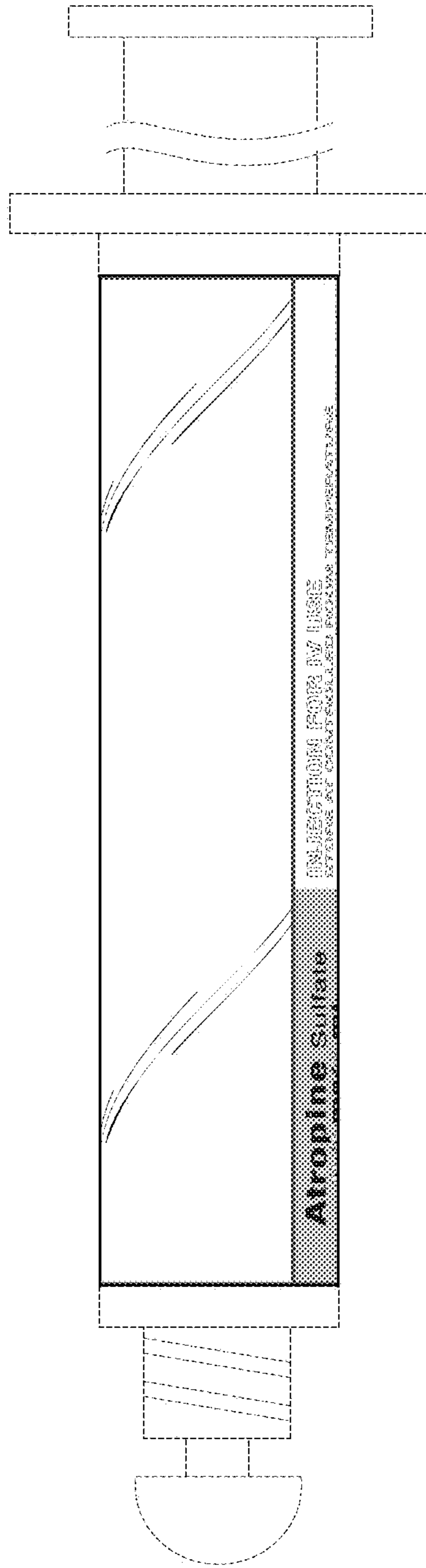


FIG. 28

**FIG. 29**





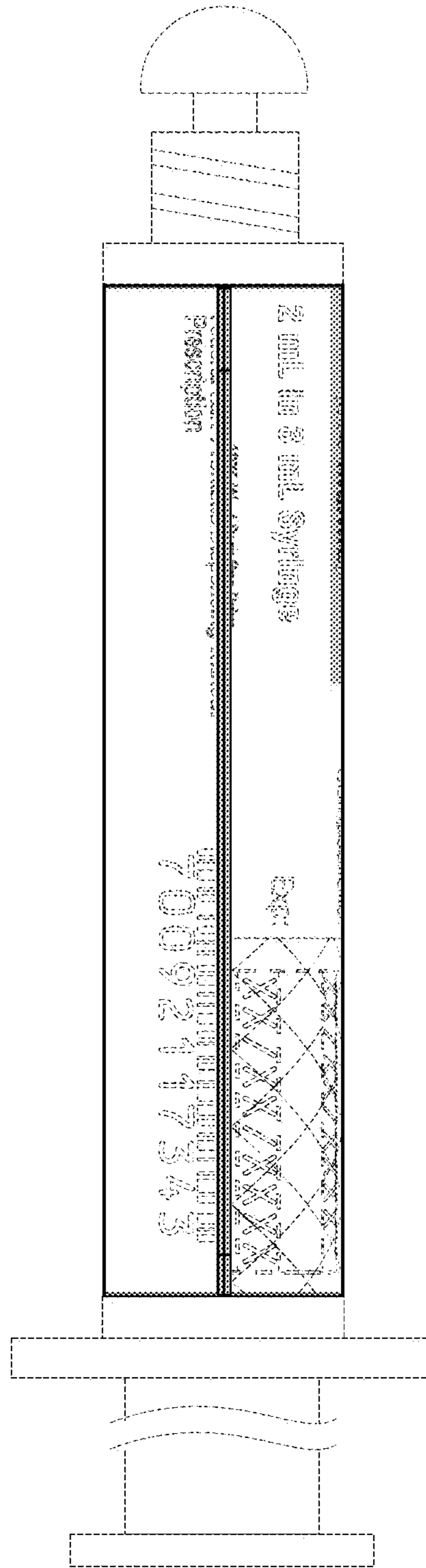
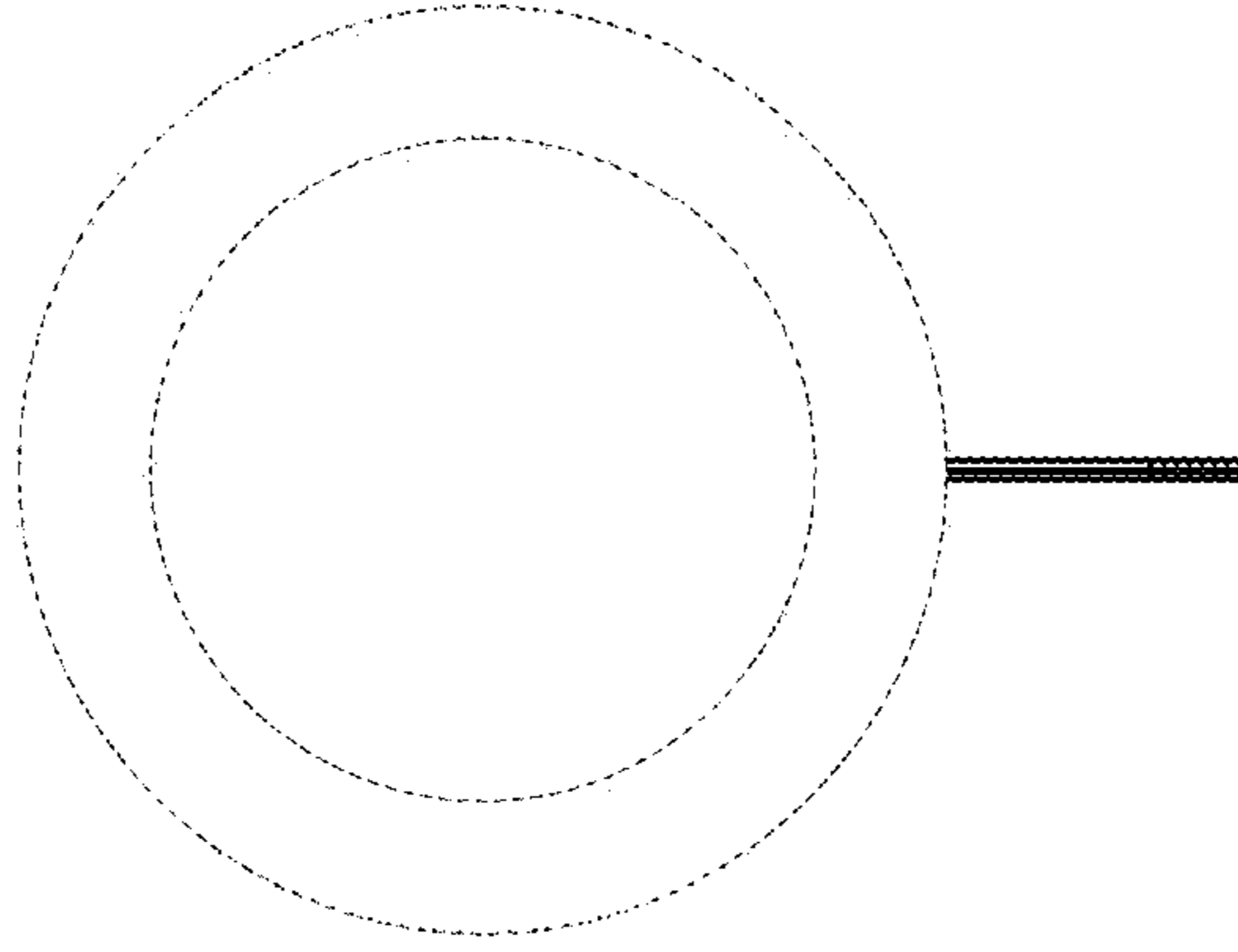


FIG. 30

**FIG. 32**



**FIG. 31**

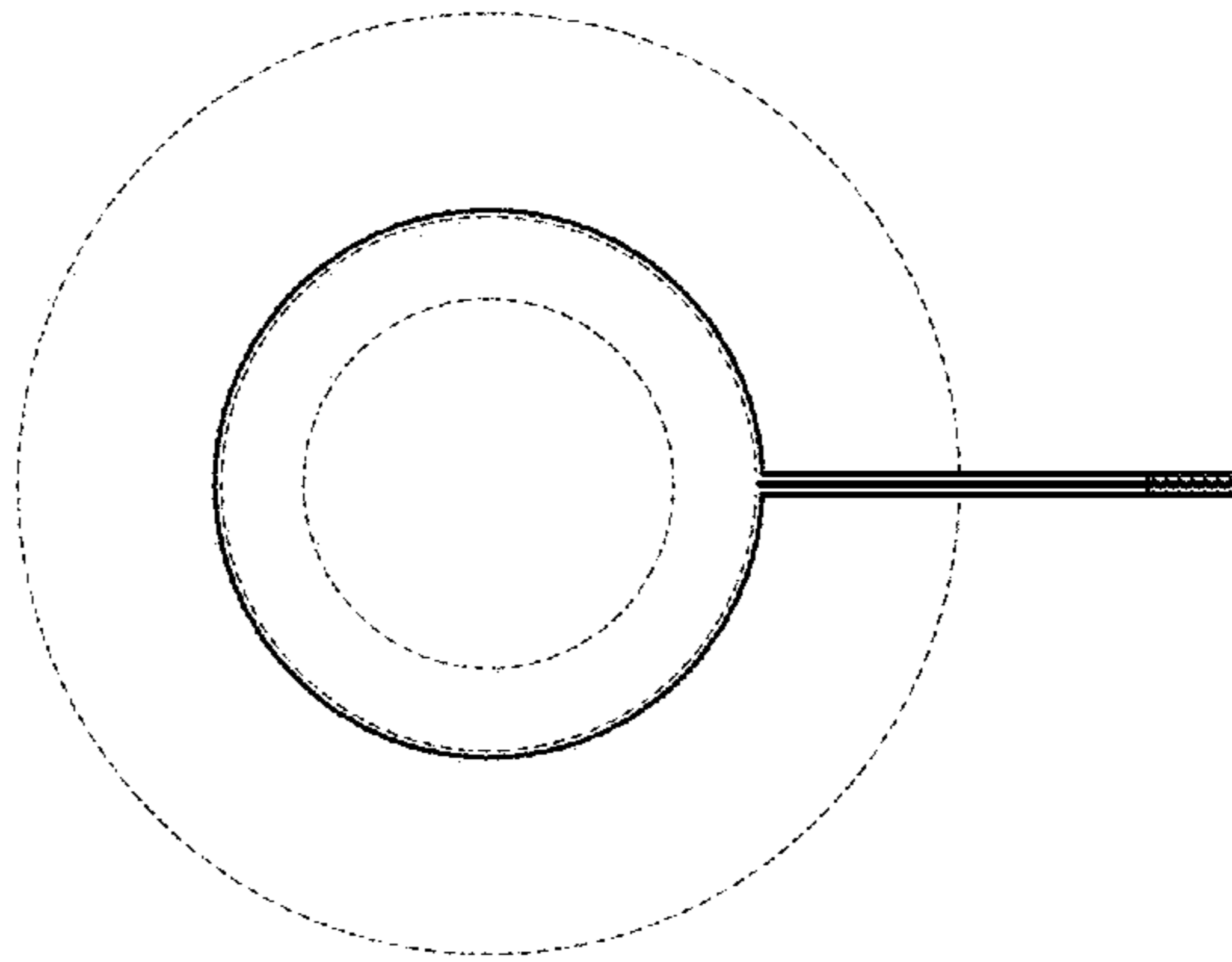
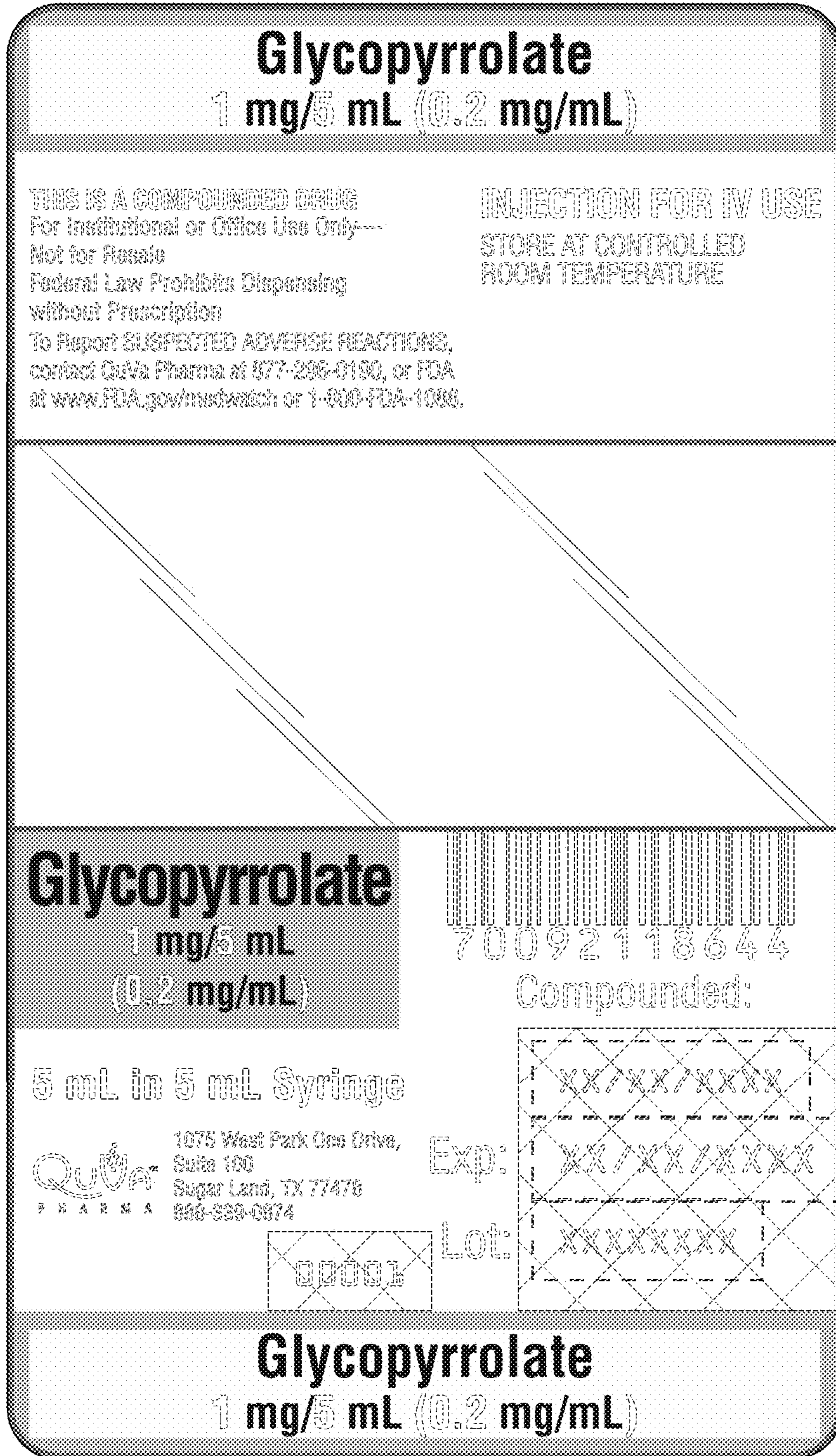


FIG. 33





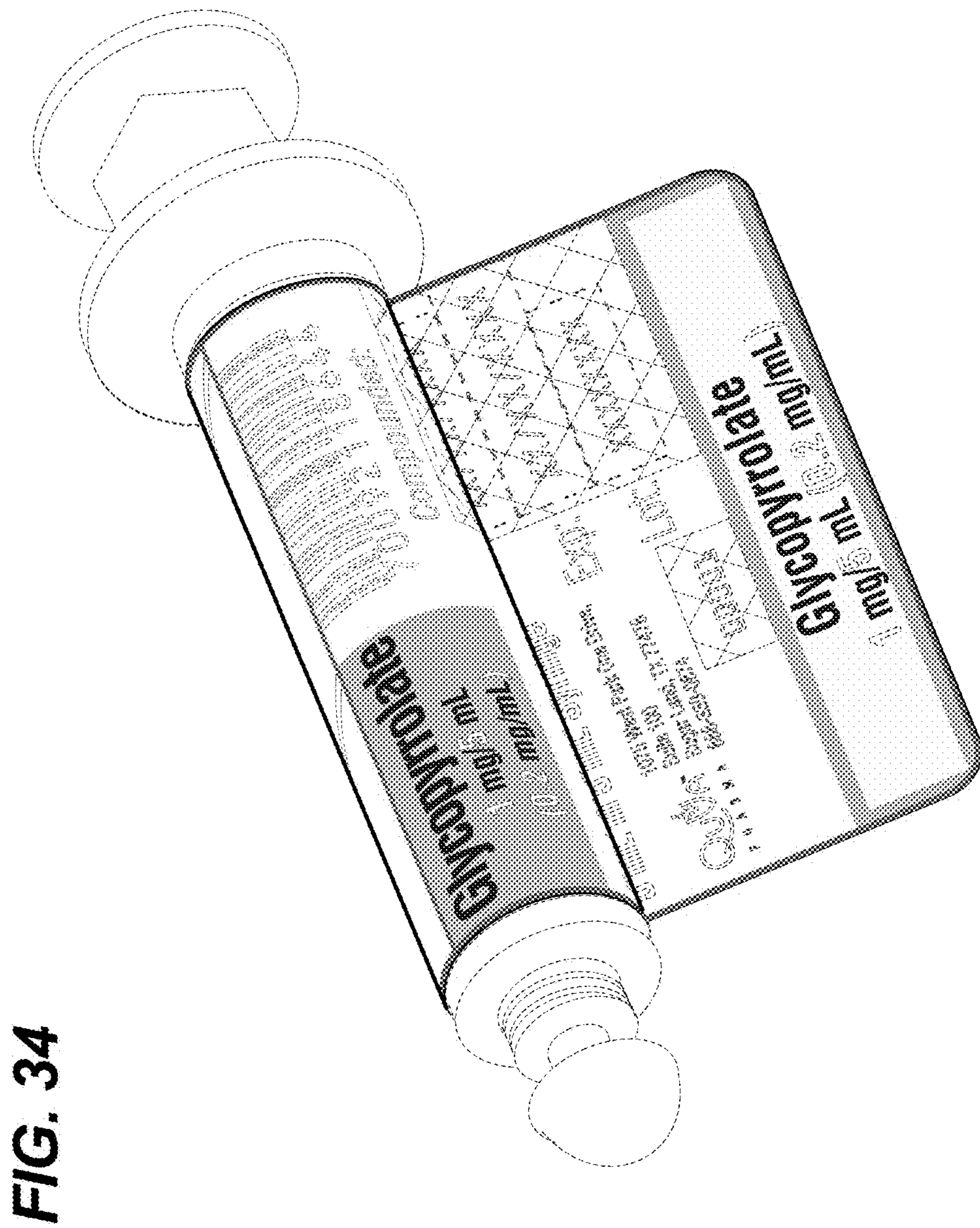
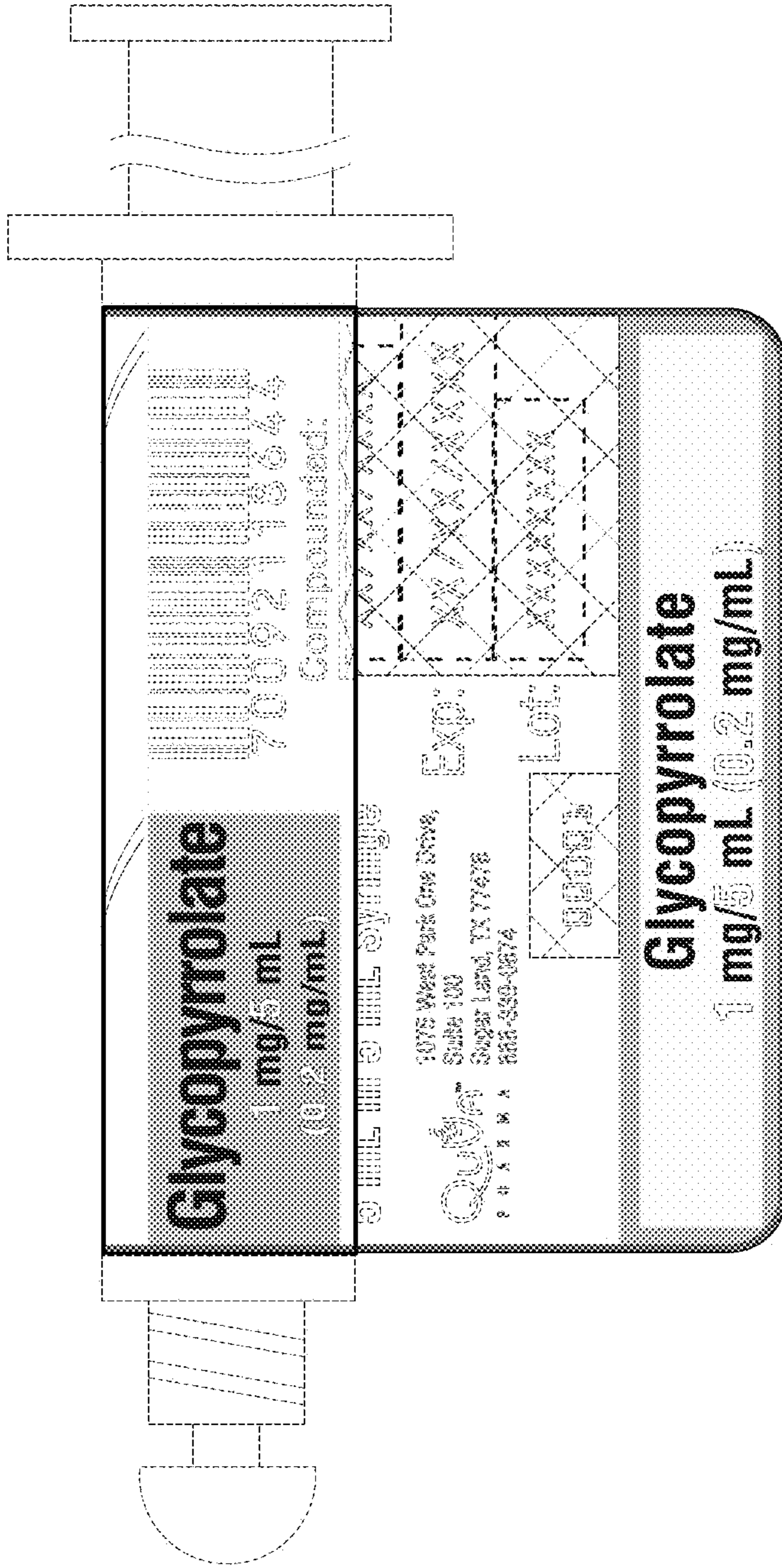
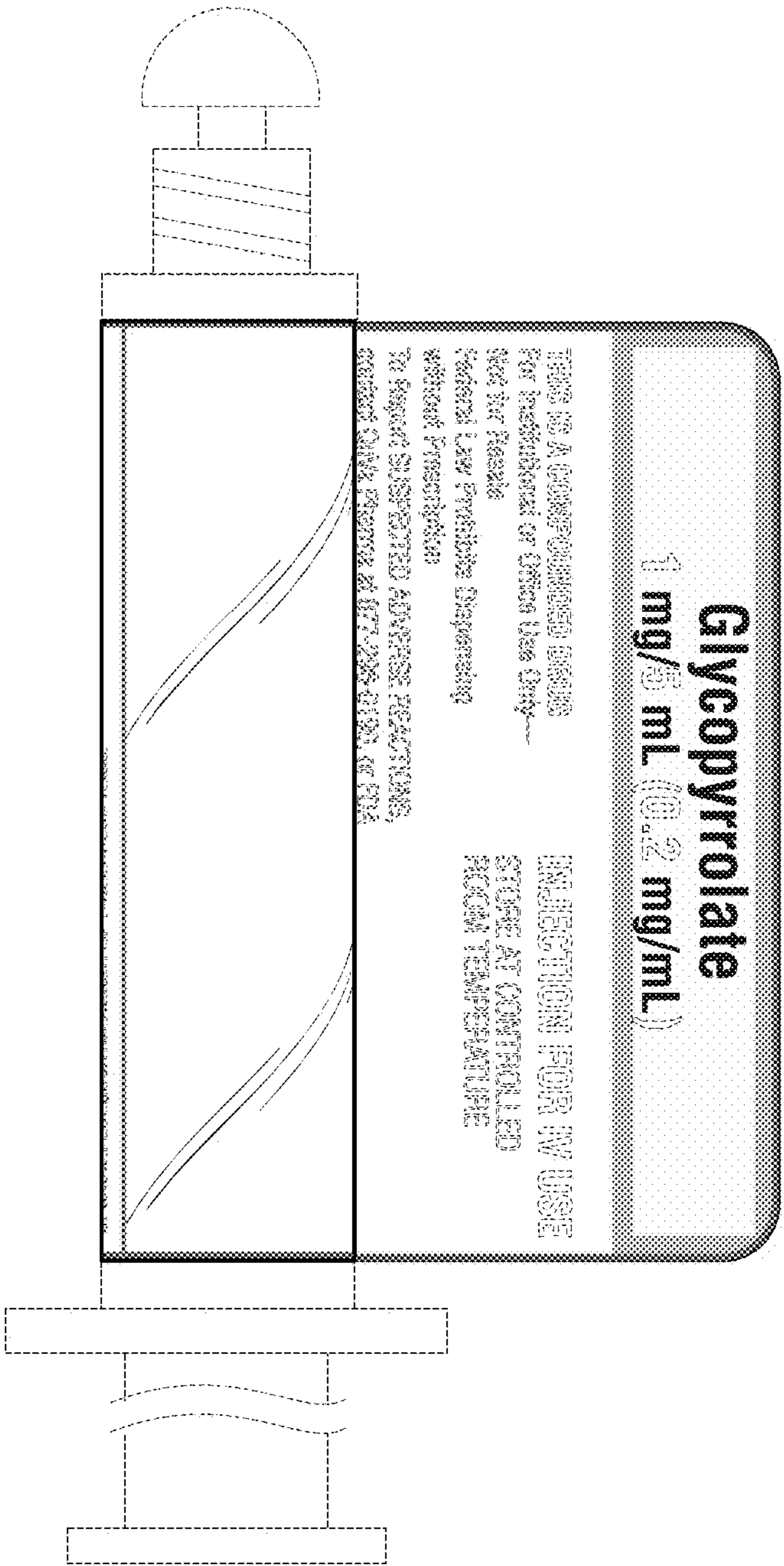


FIG. 35





**FIG. 36**



**FIG. 37**

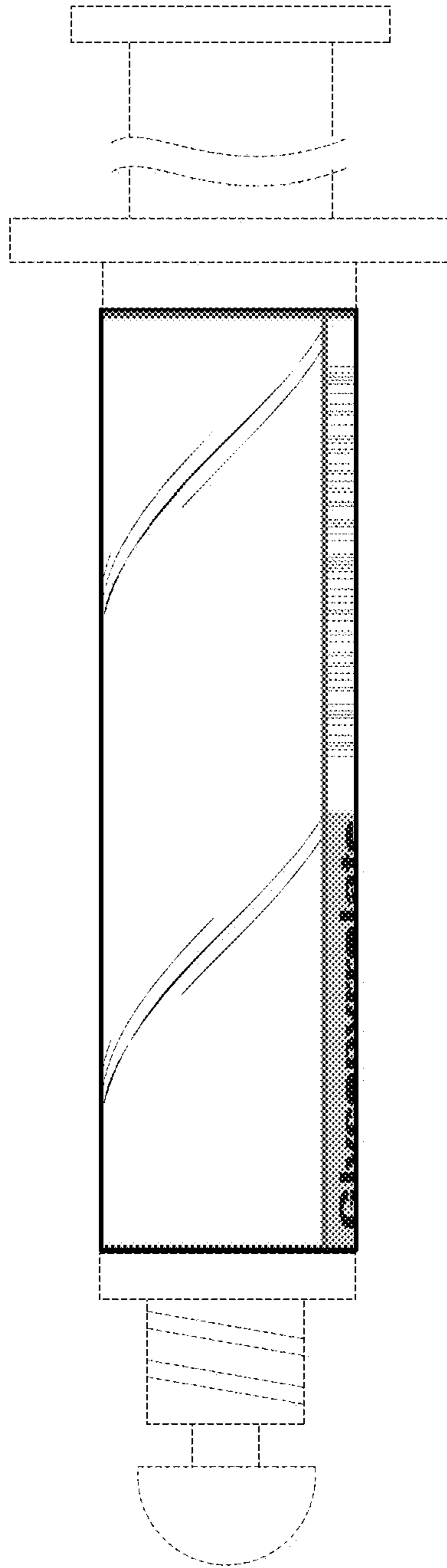
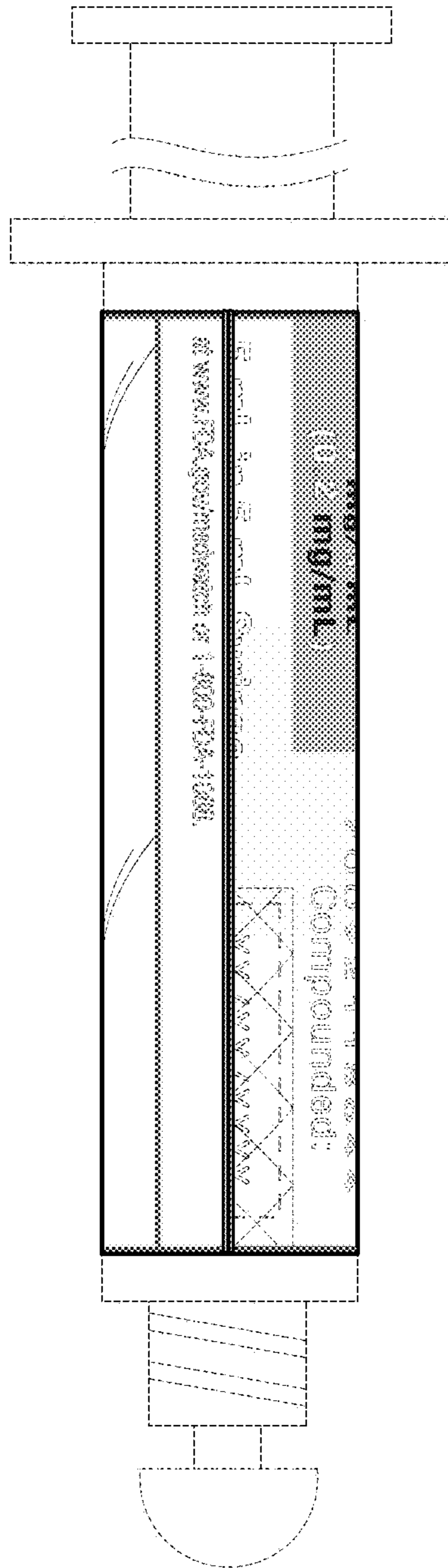
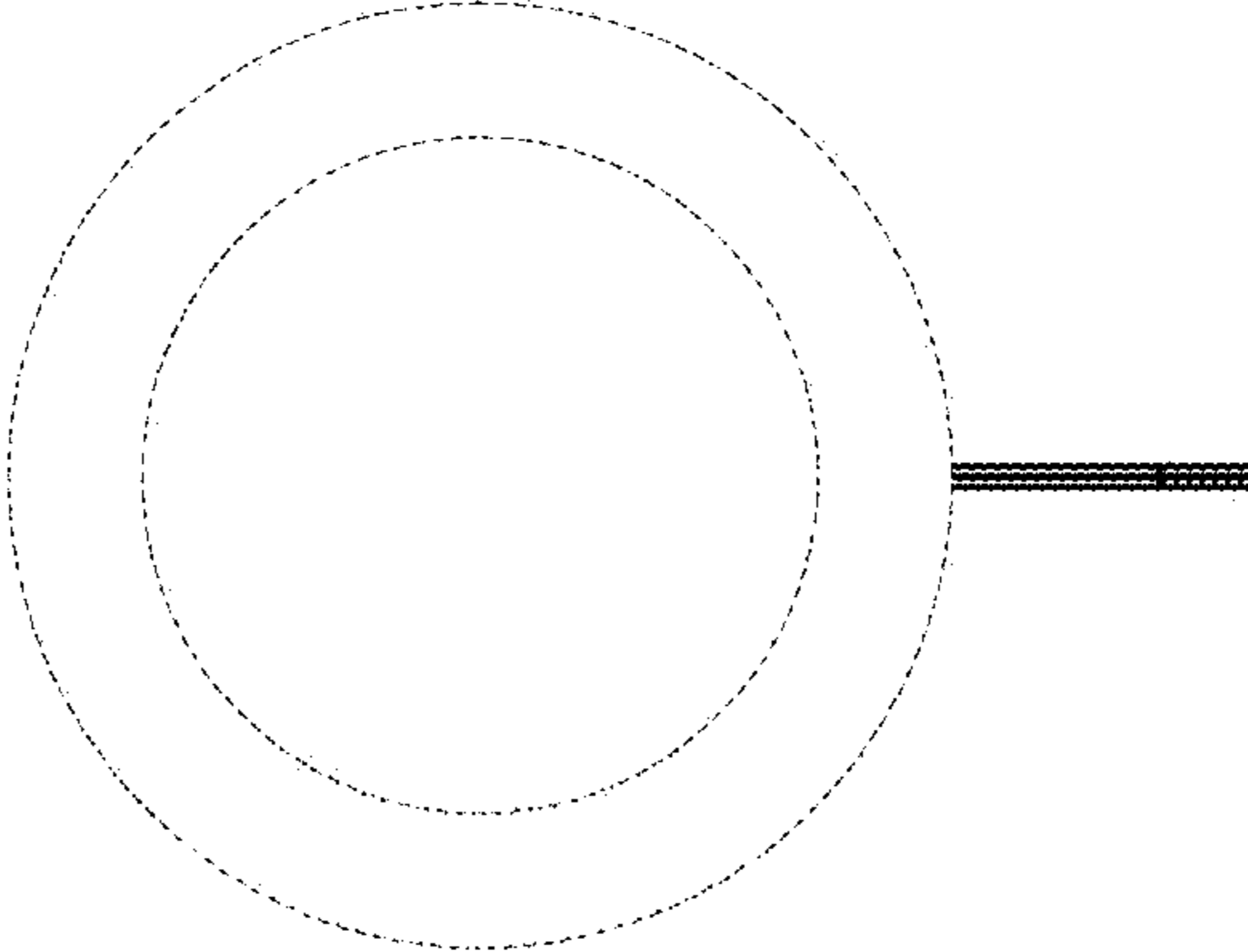


FIG. 38



**FIG. 40**



**FIG. 39**

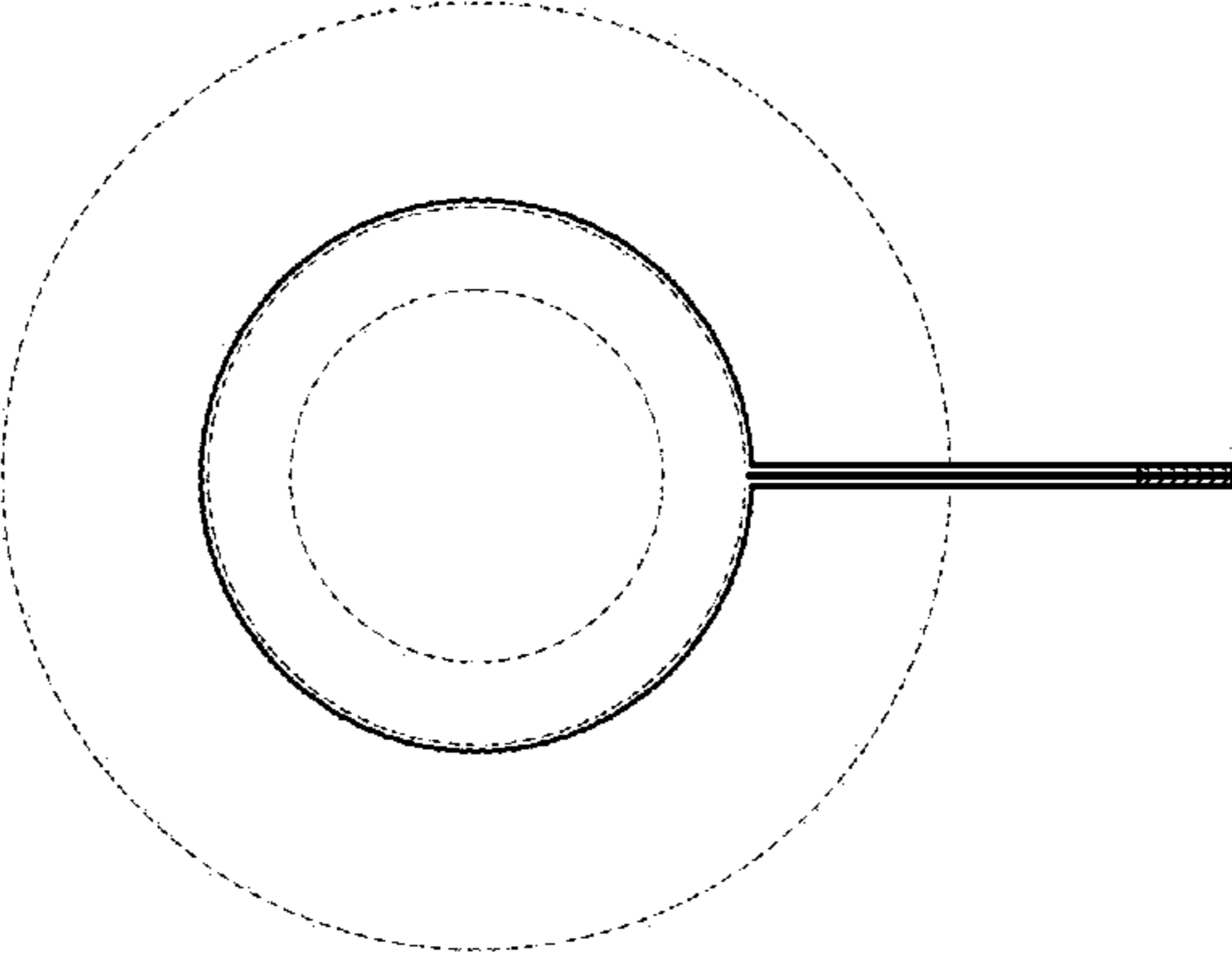
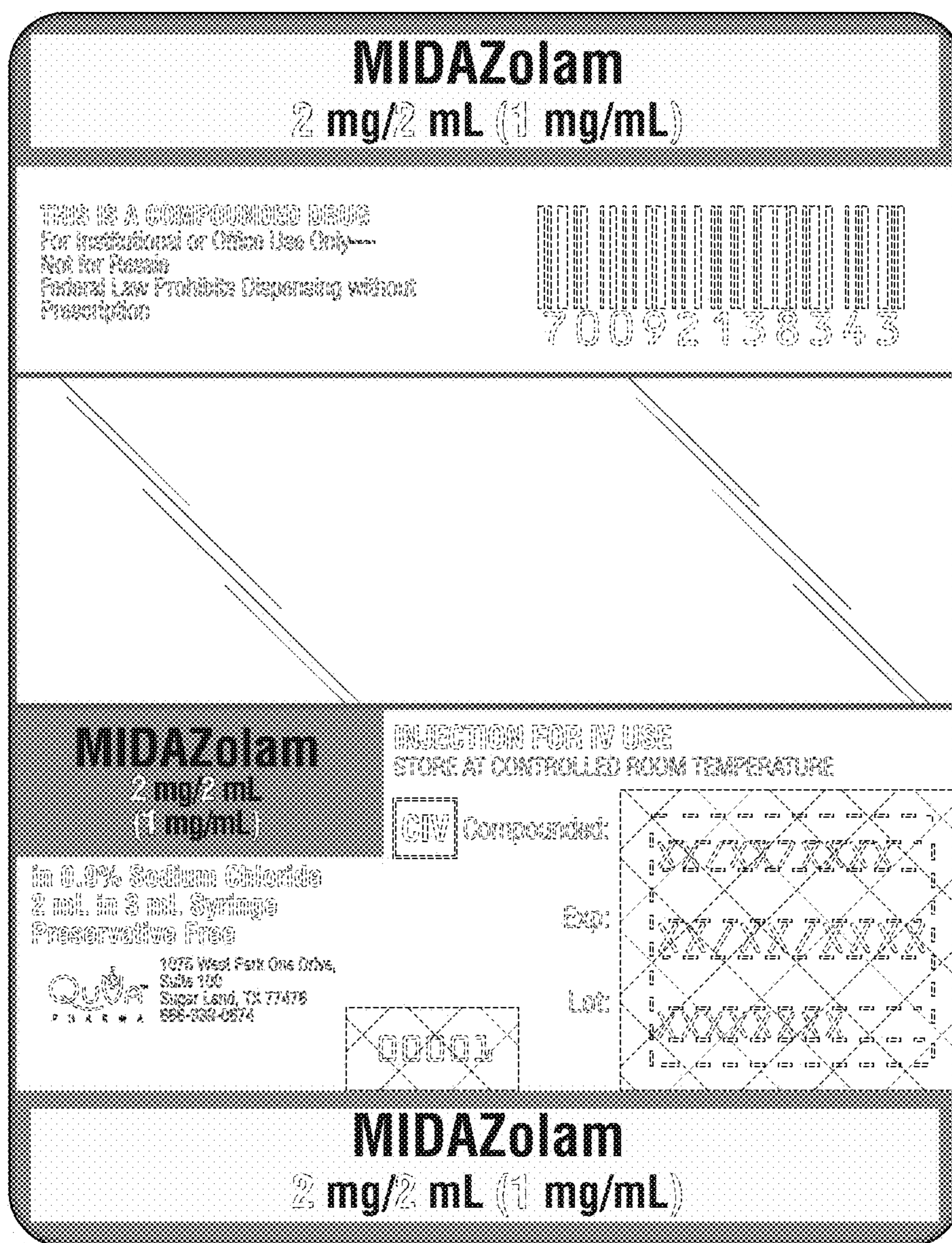
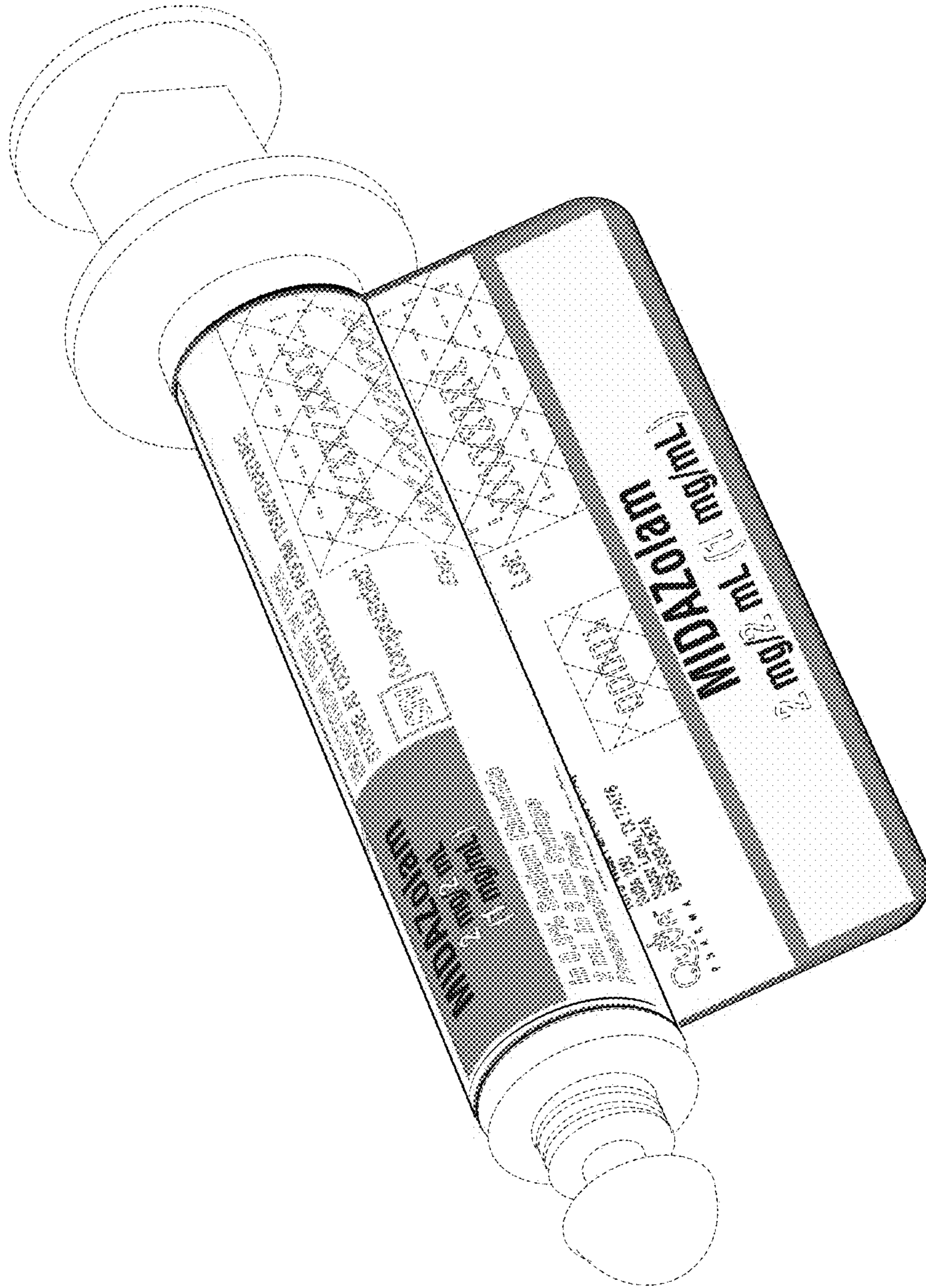




FIG. 41





**FIG. 42**



FIG. 43

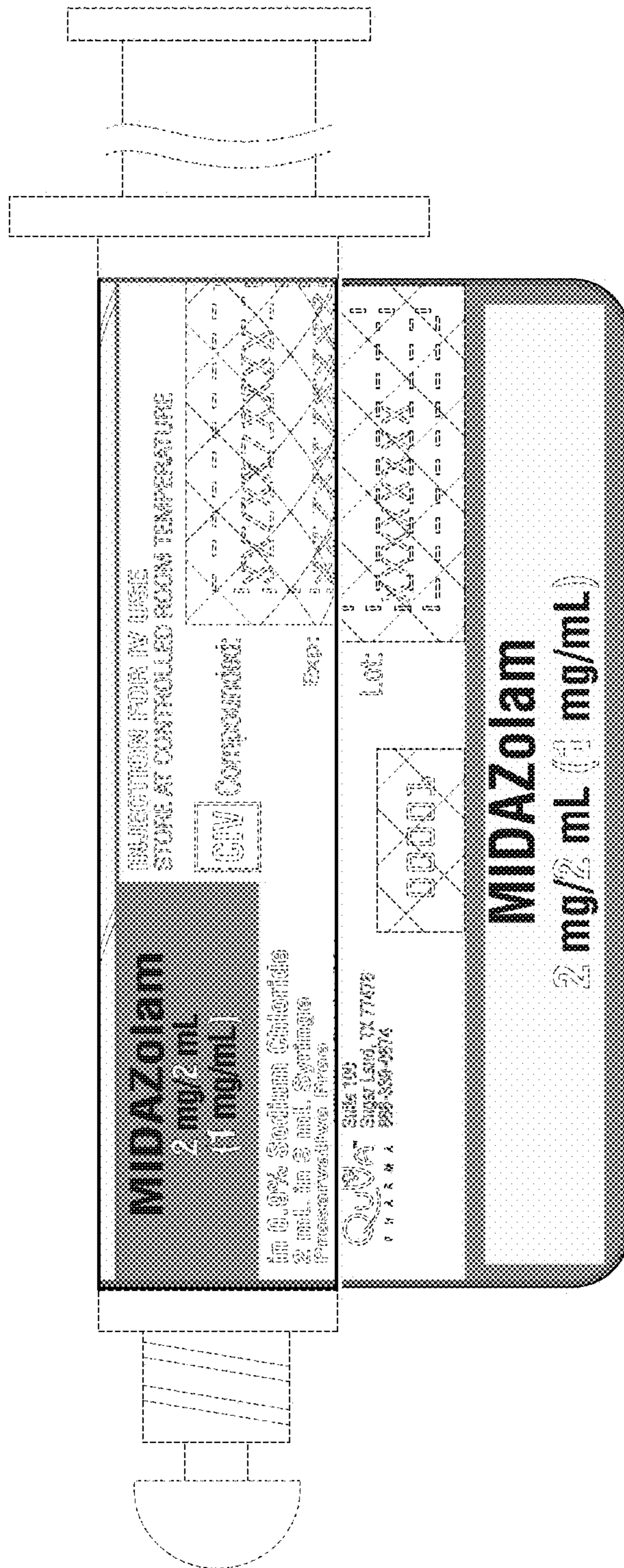
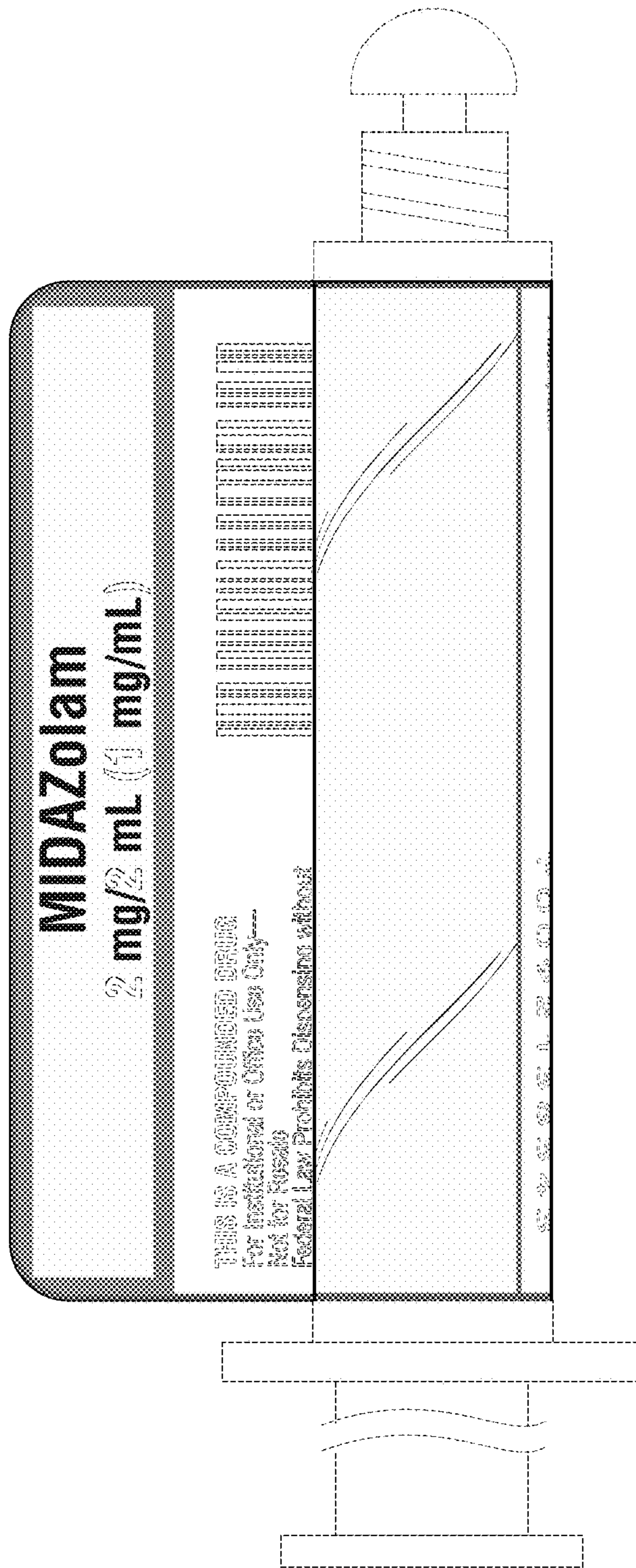




FIG. 44



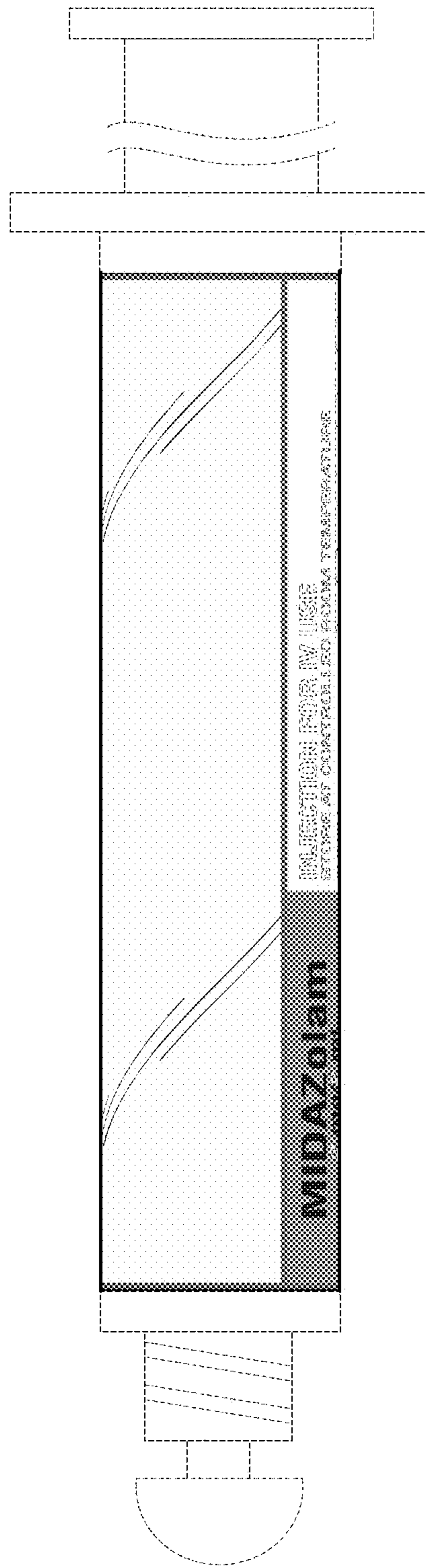
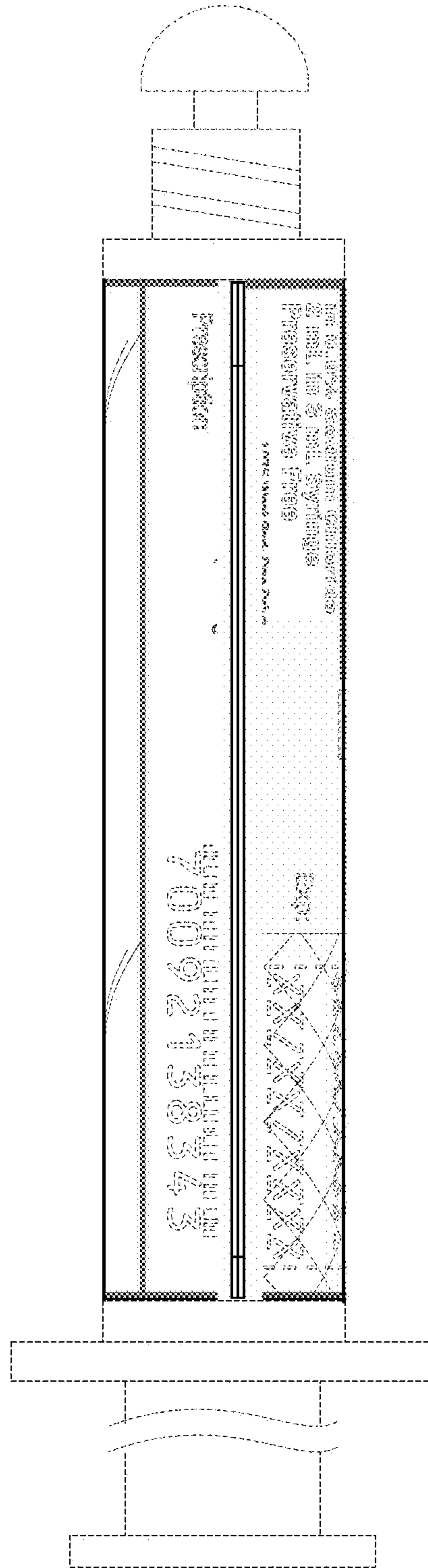


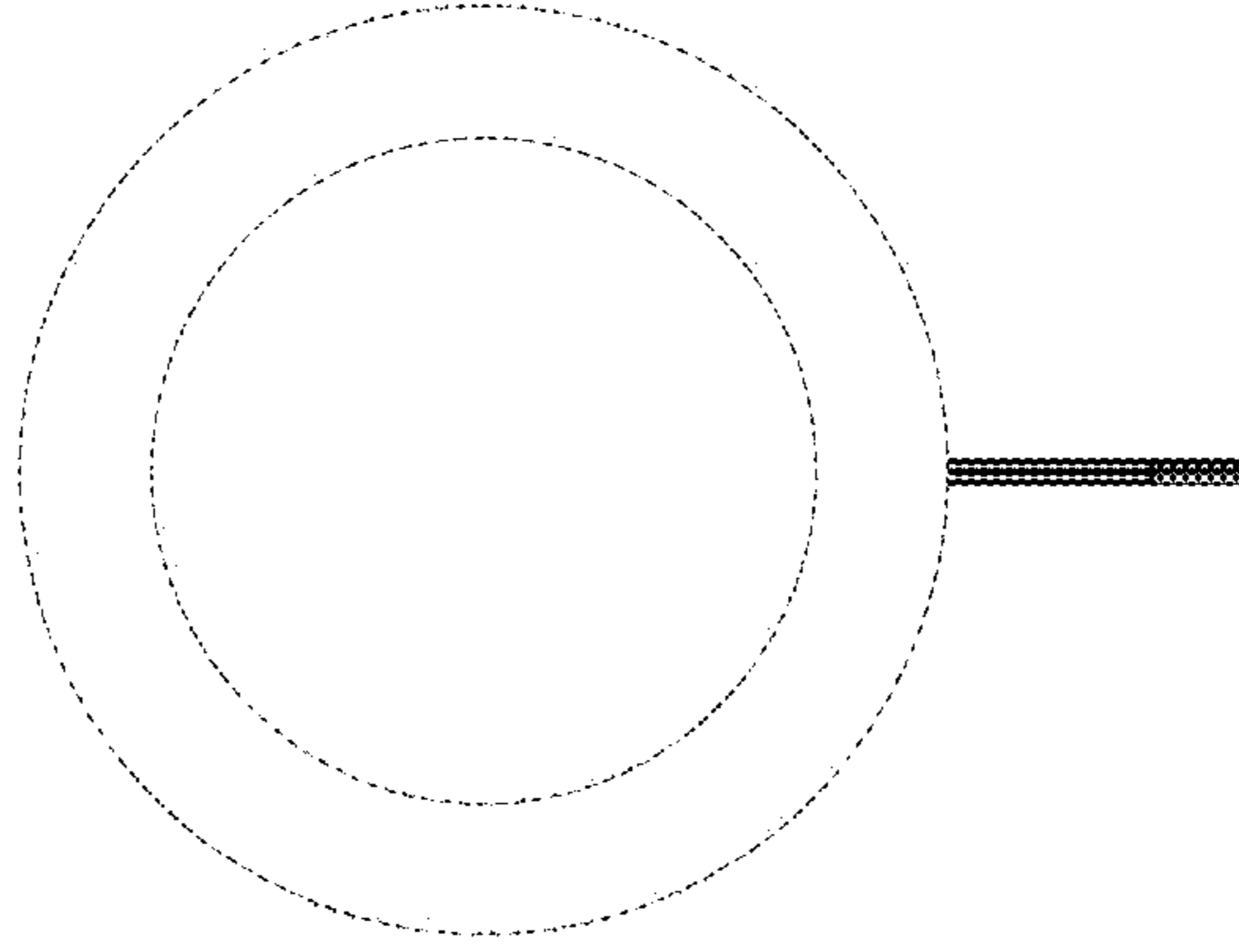
FIG. 45



**FIG. 46**



**FIG. 48**



**FIG. 47**

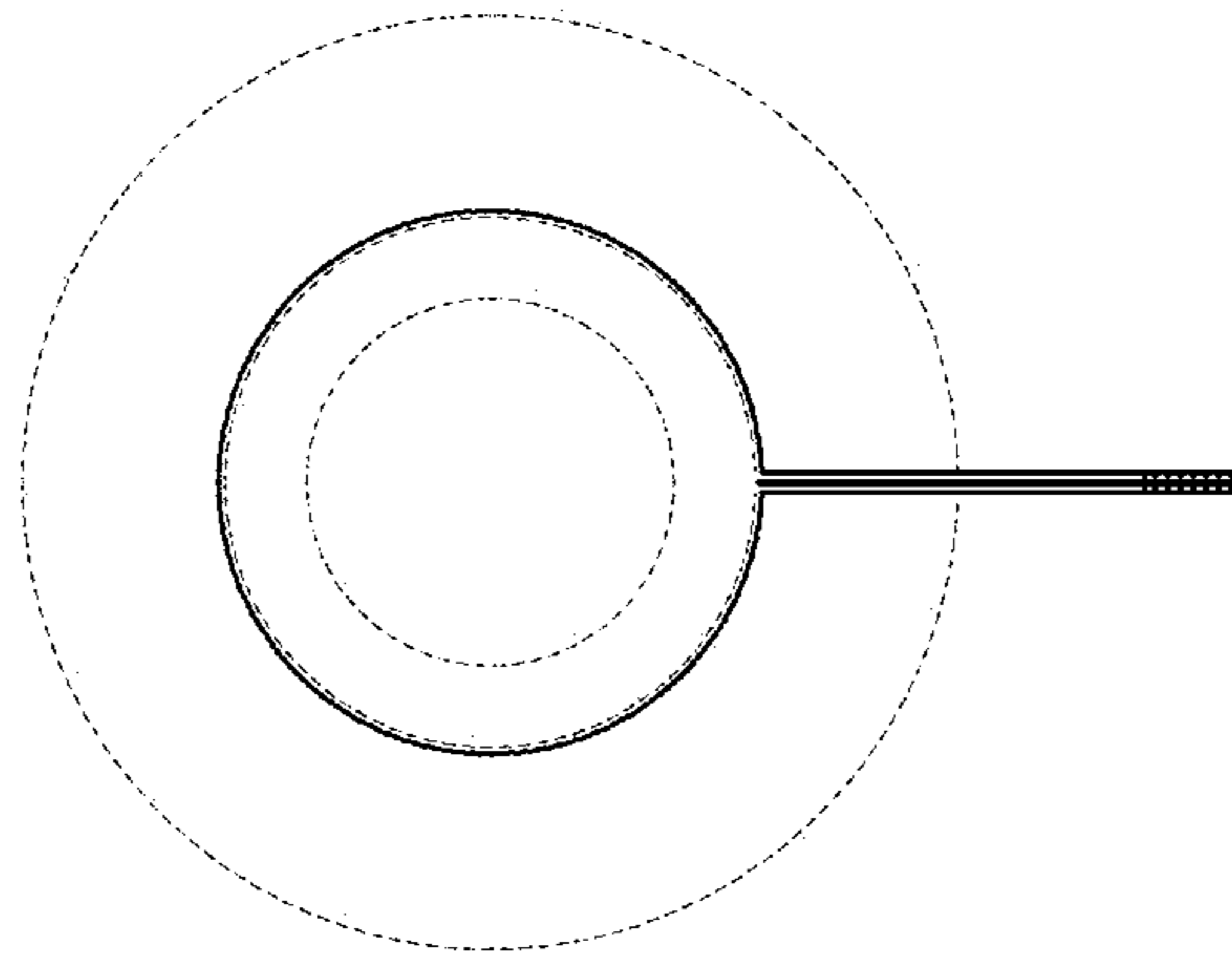


FIG. 49

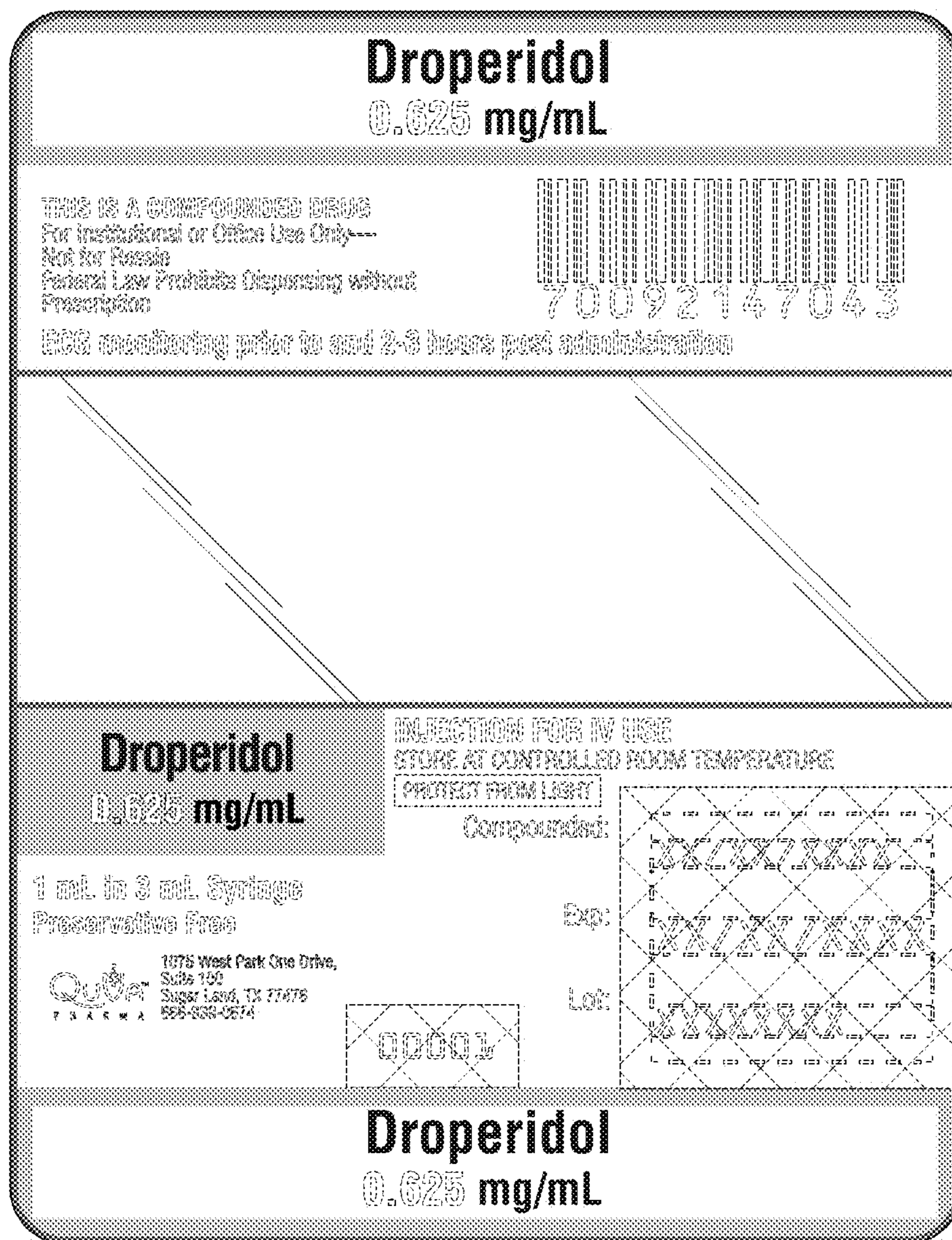
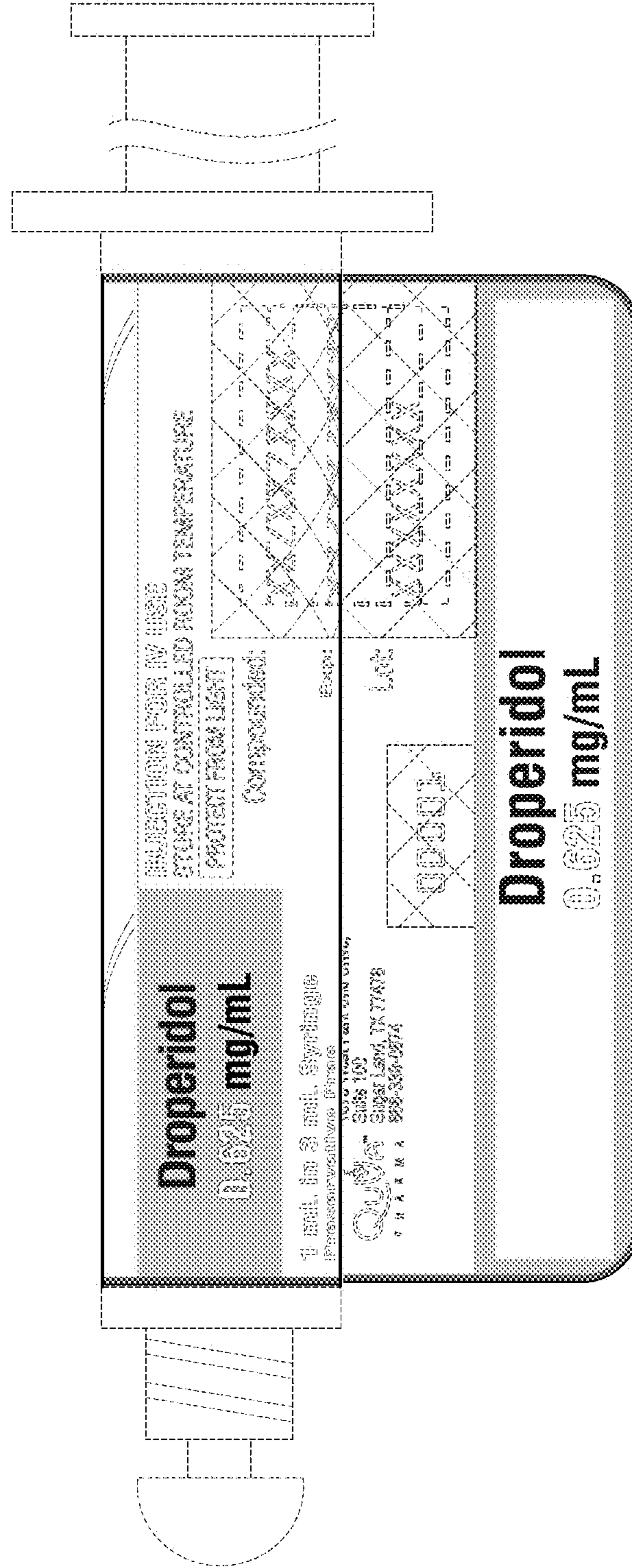




FIG. 50



FIG. 51



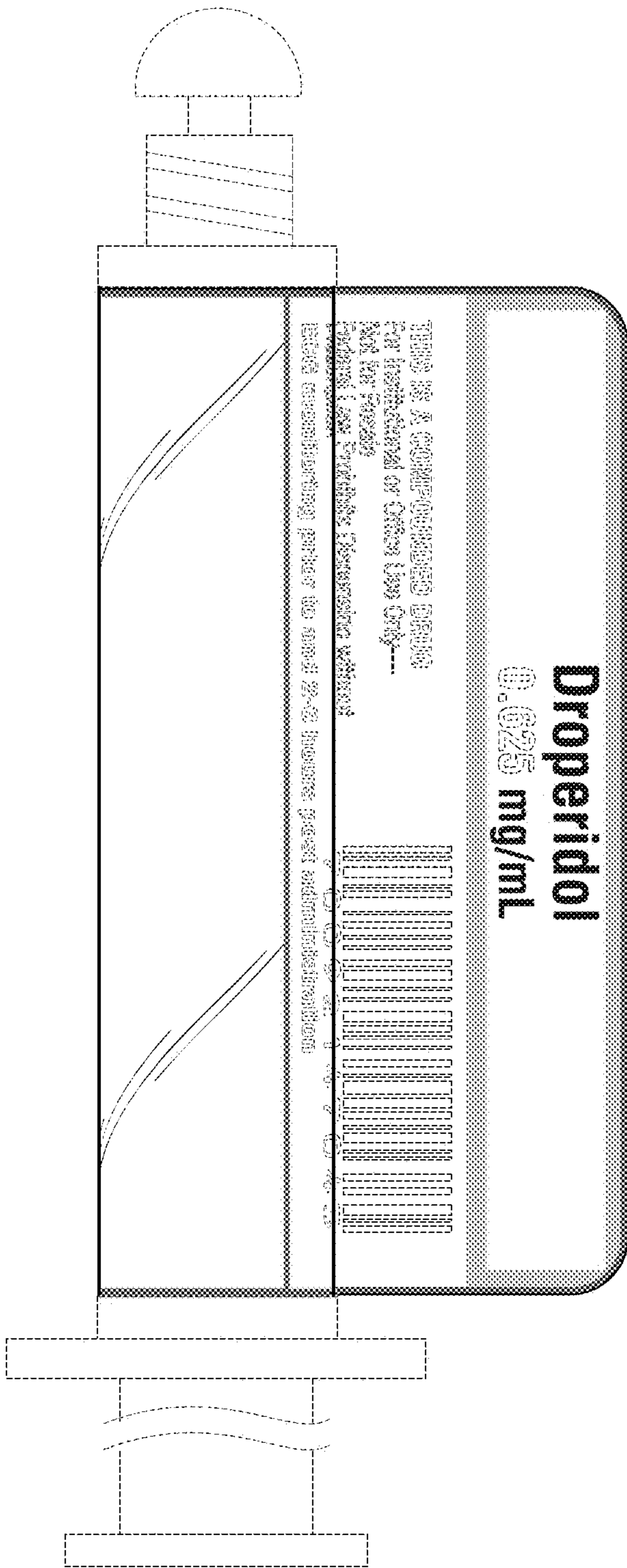
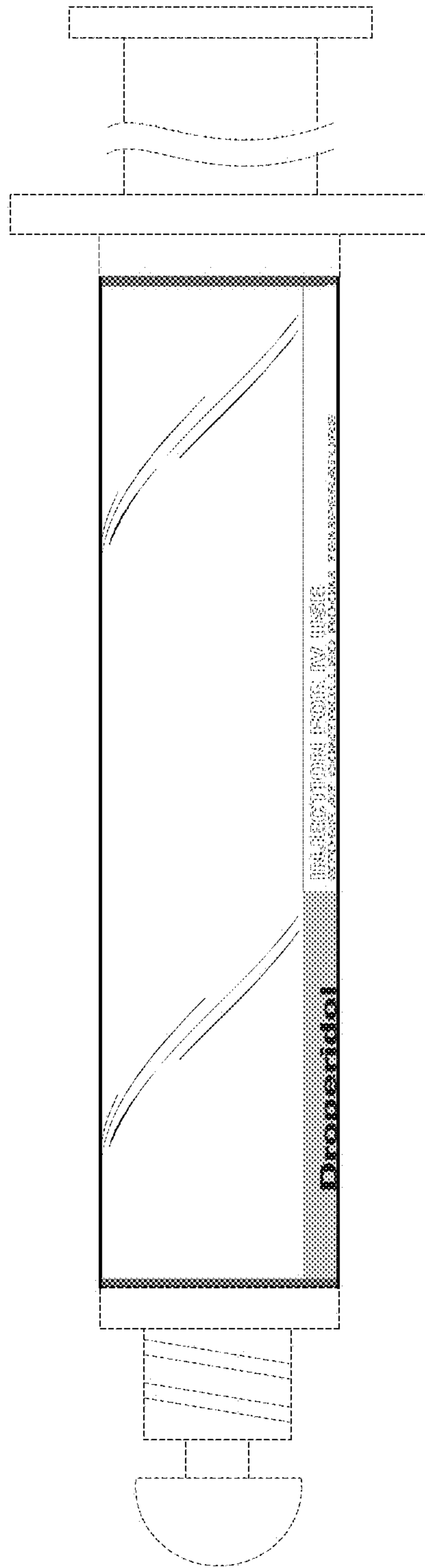


FIG. 52

**FIG. 53**





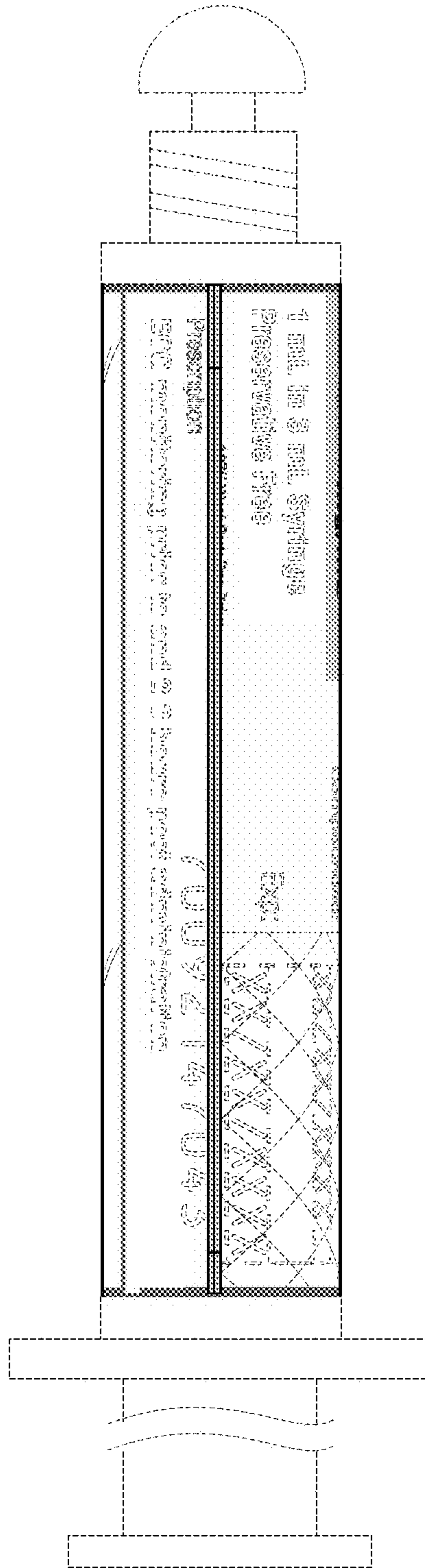
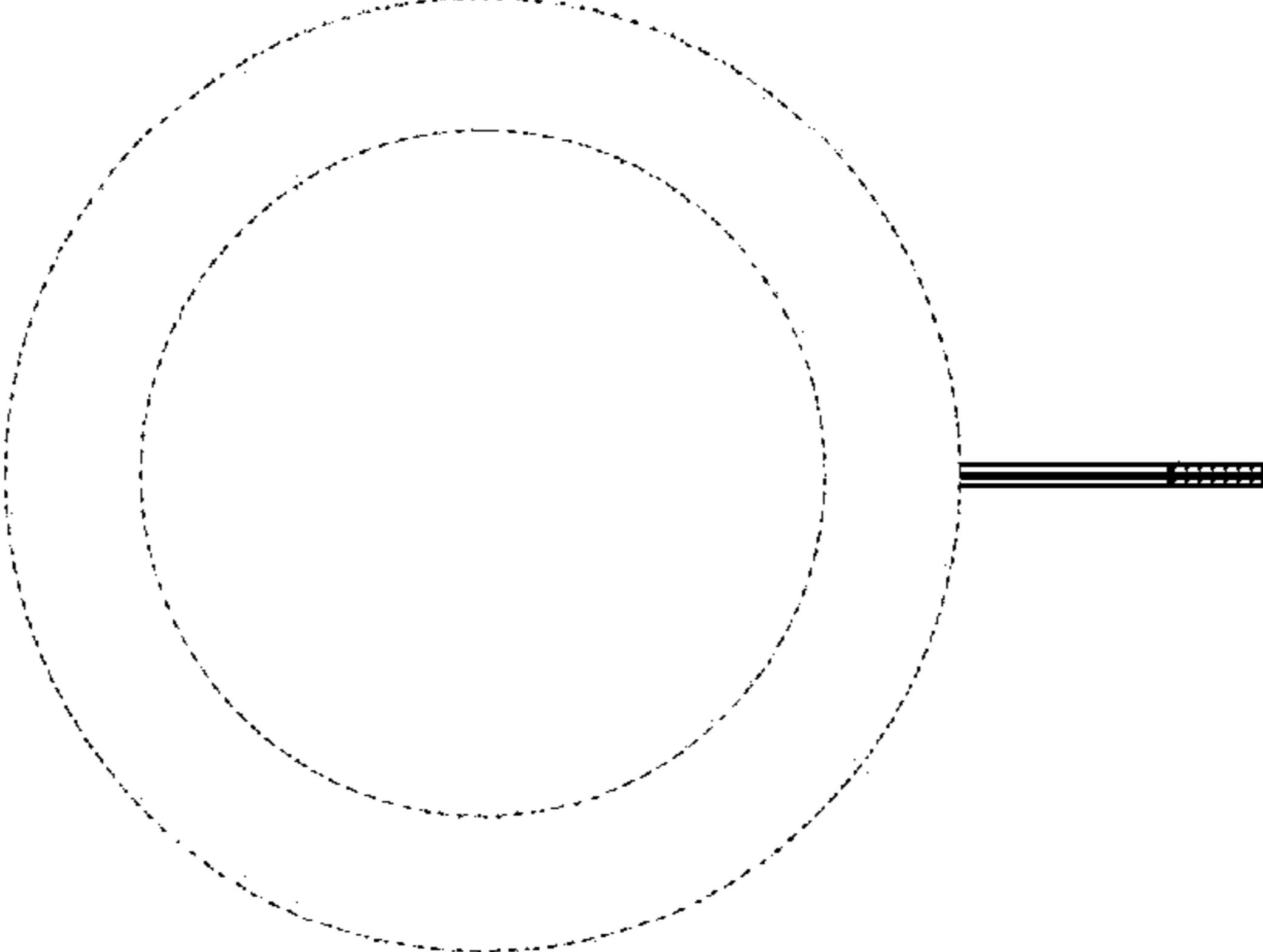


FIG. 54

**FIG. 56**



**FIG. 55**

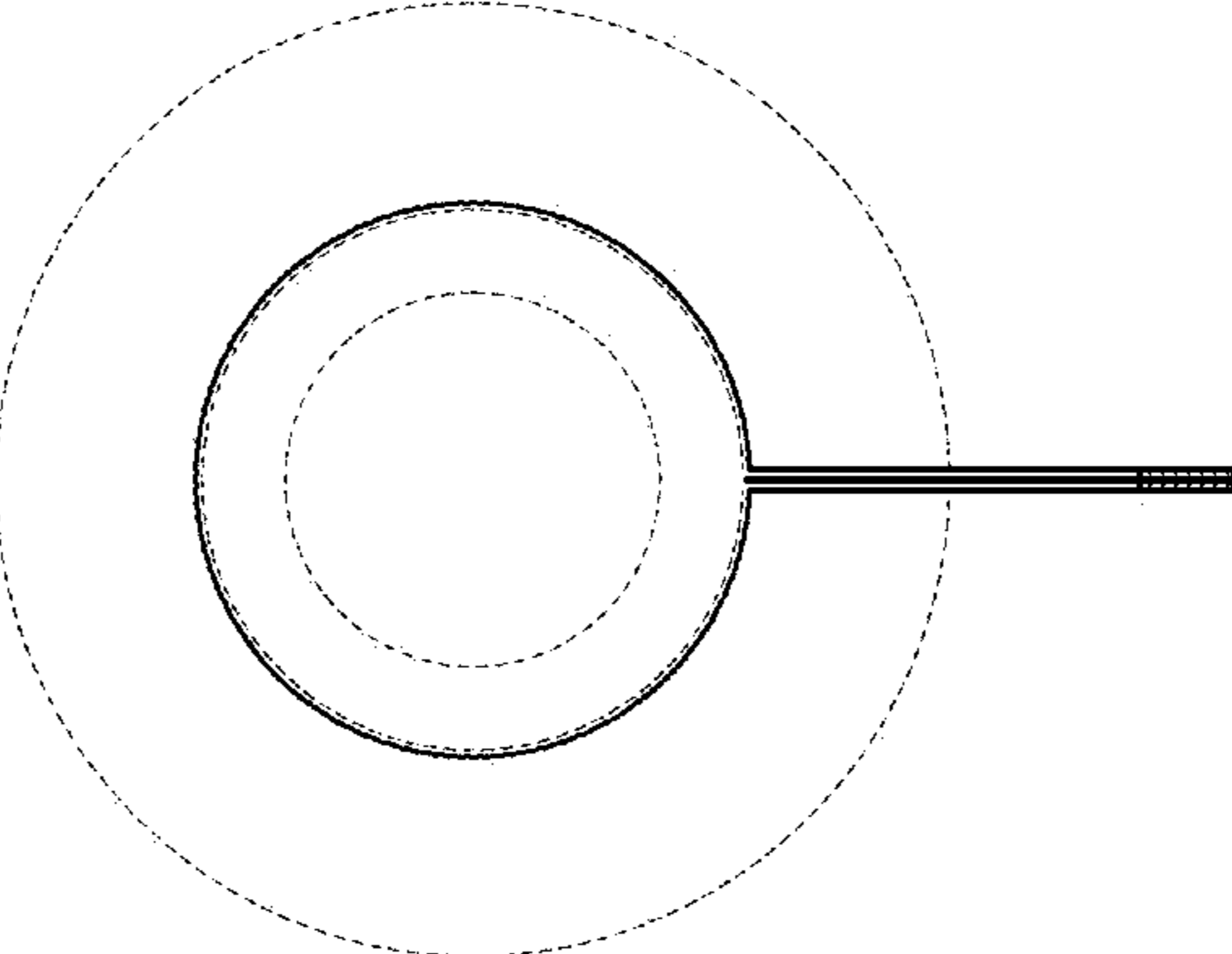
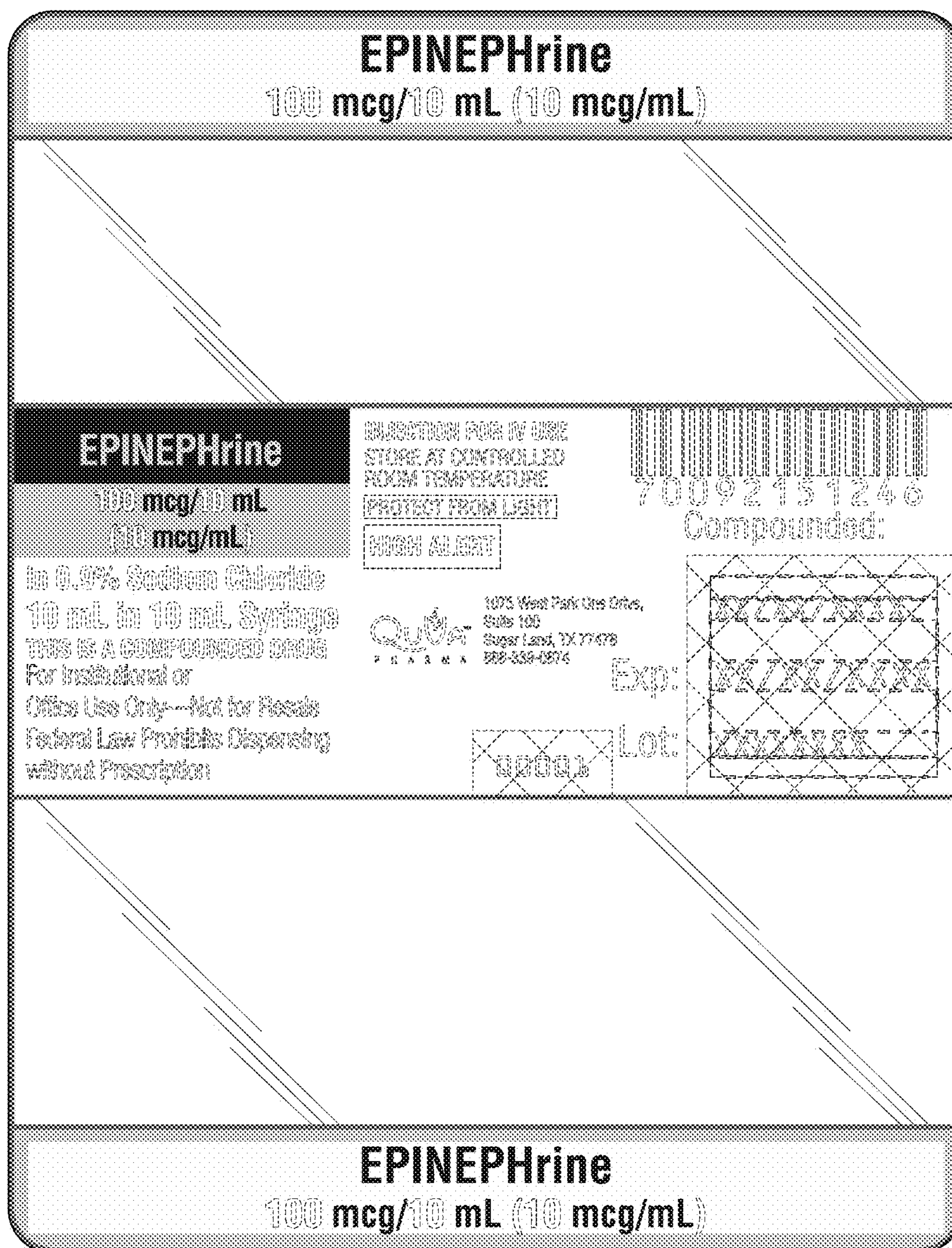


FIG. 57





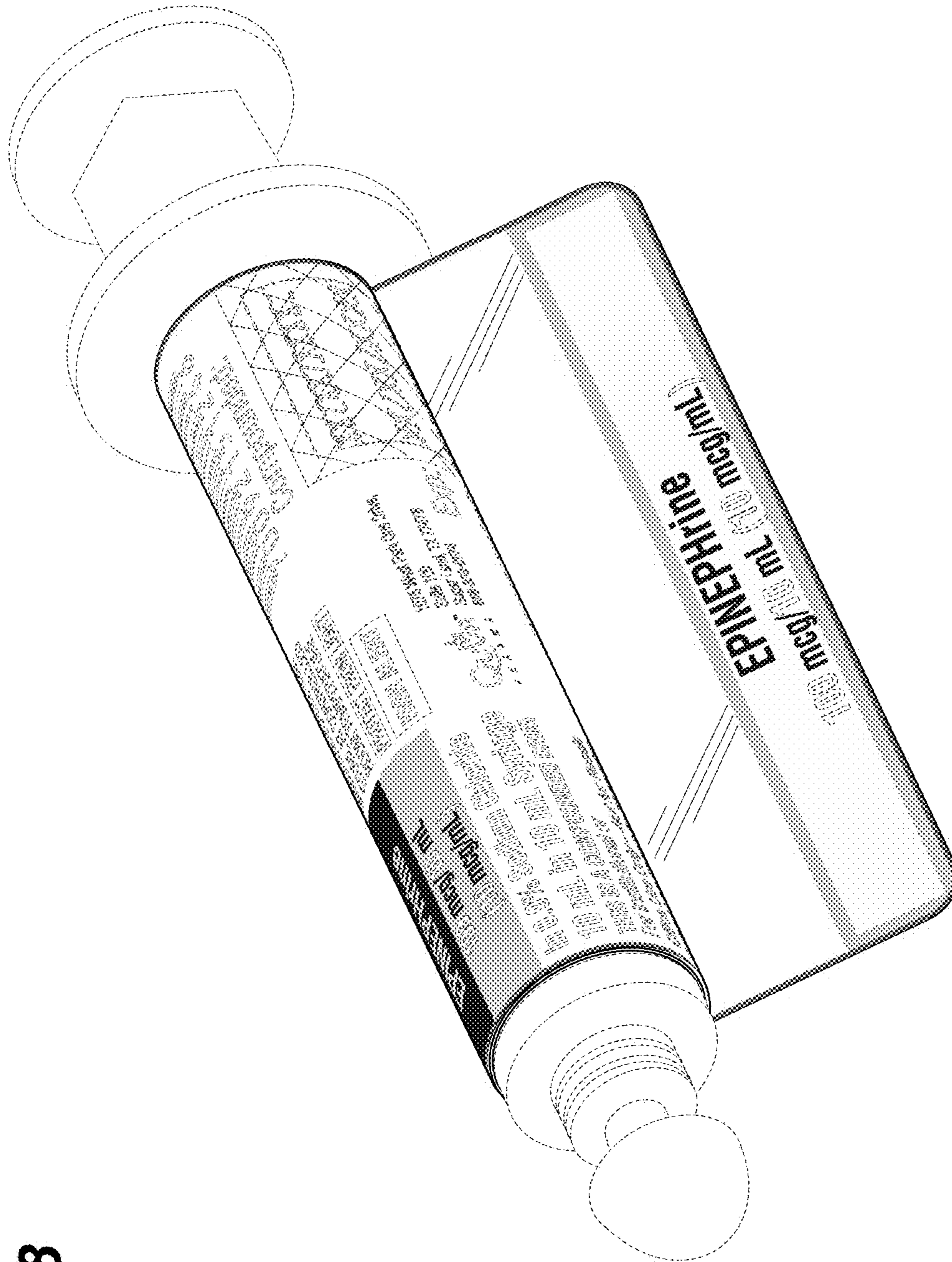
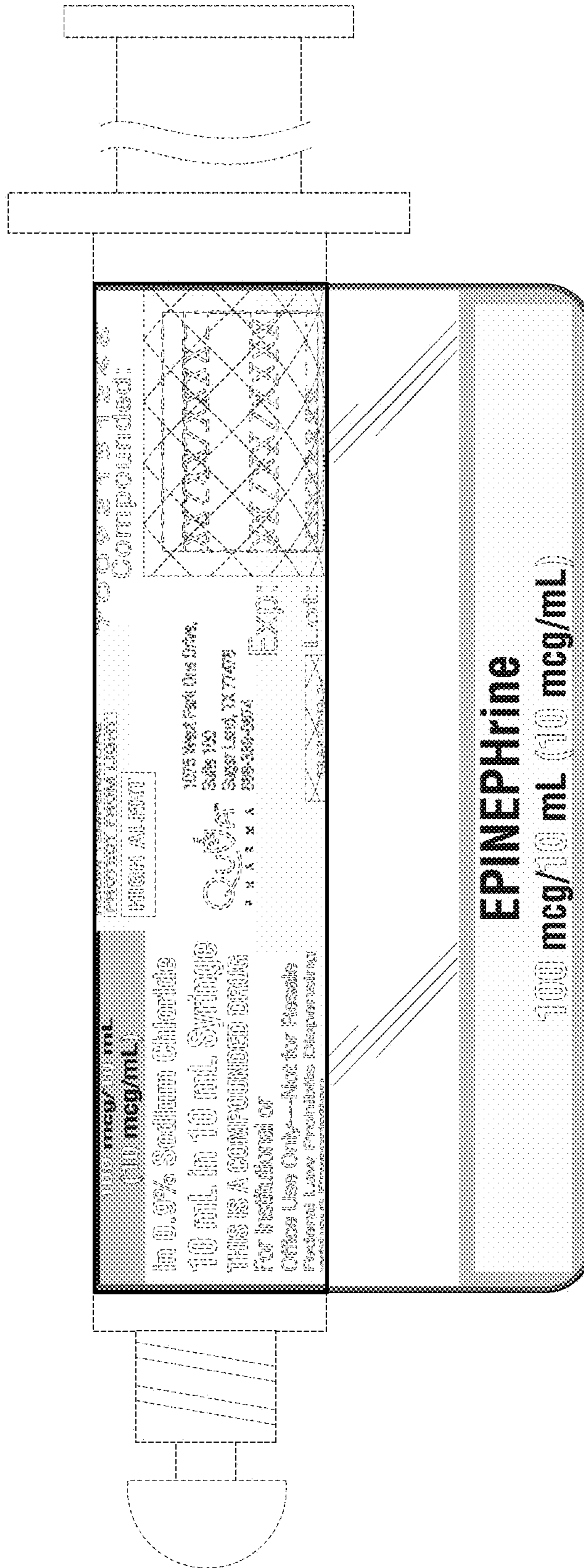
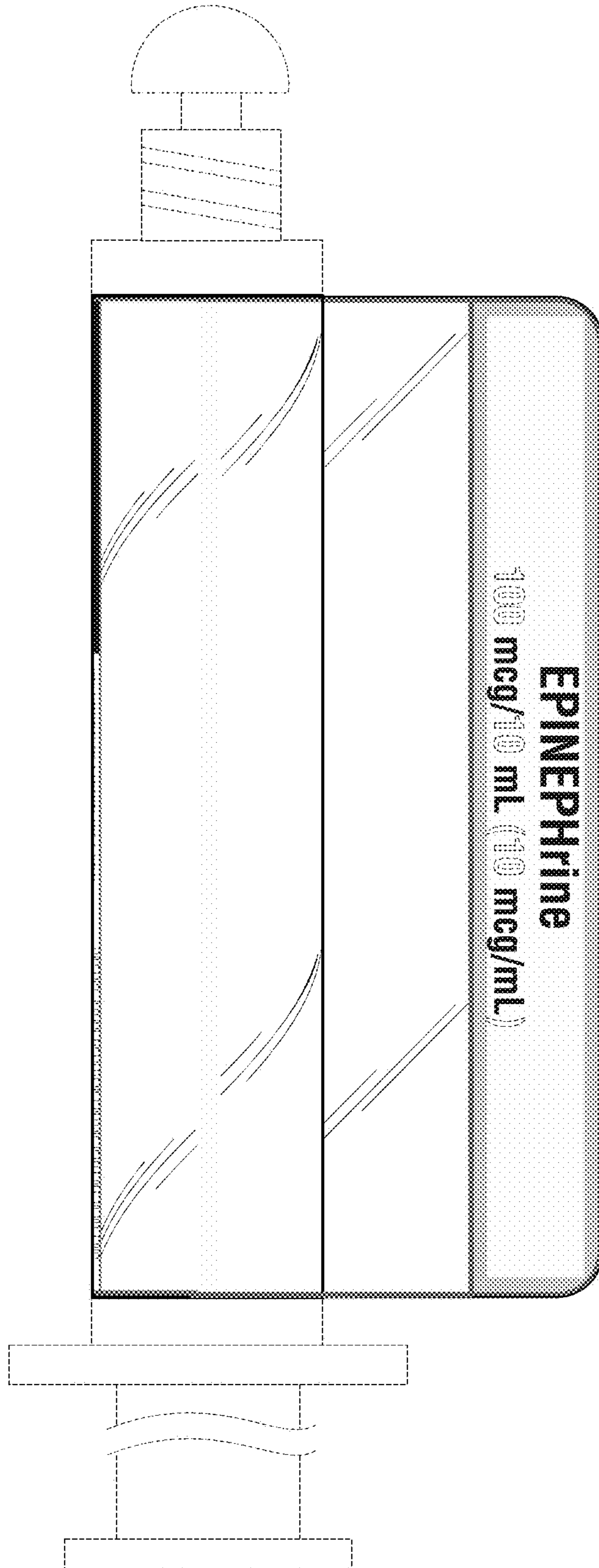


FIG. 58

FIG. 59





**FIG. 60**



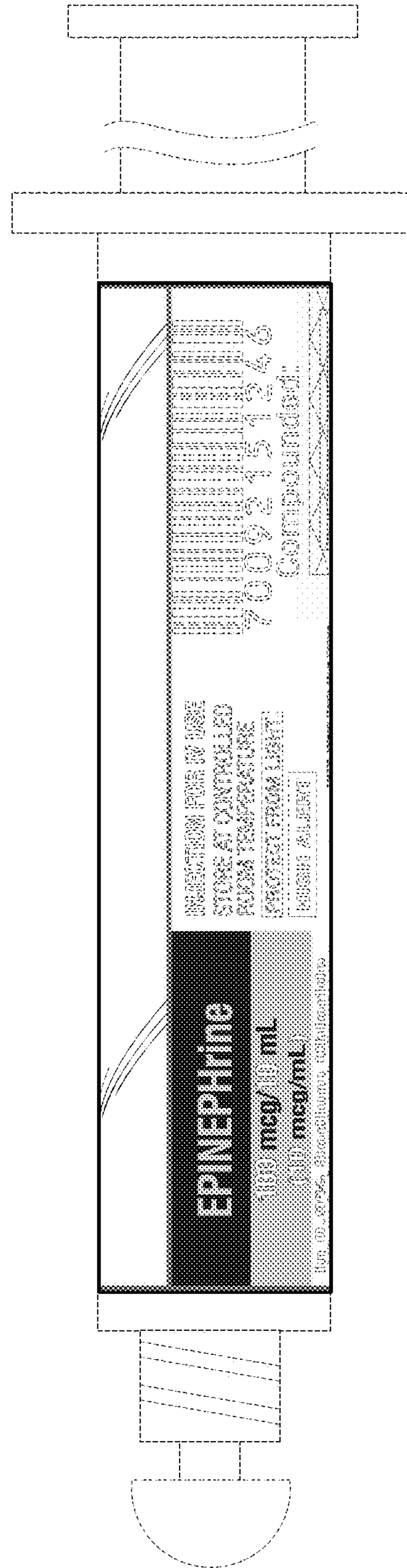
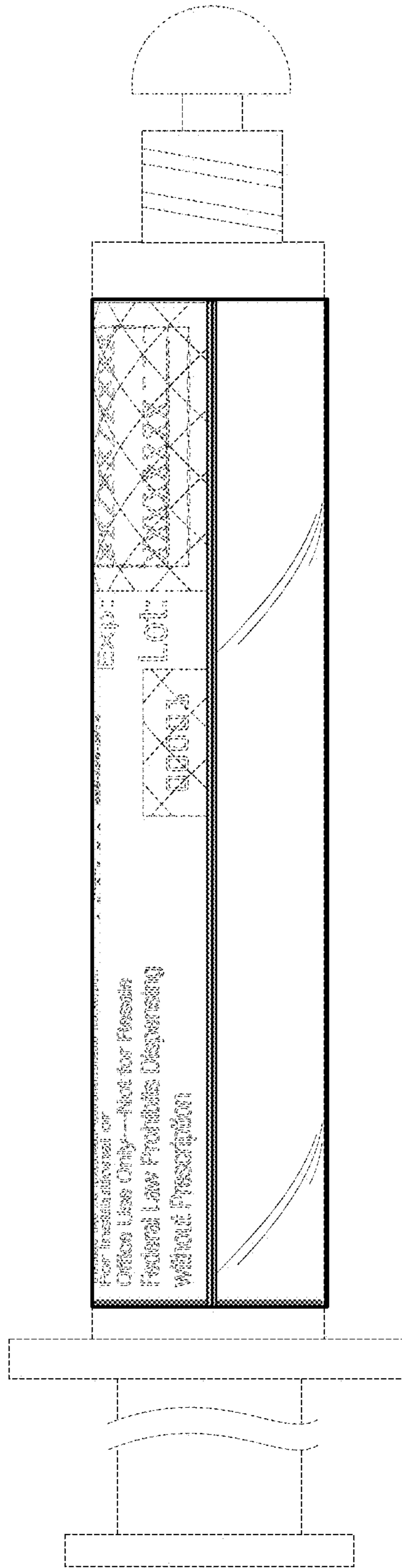
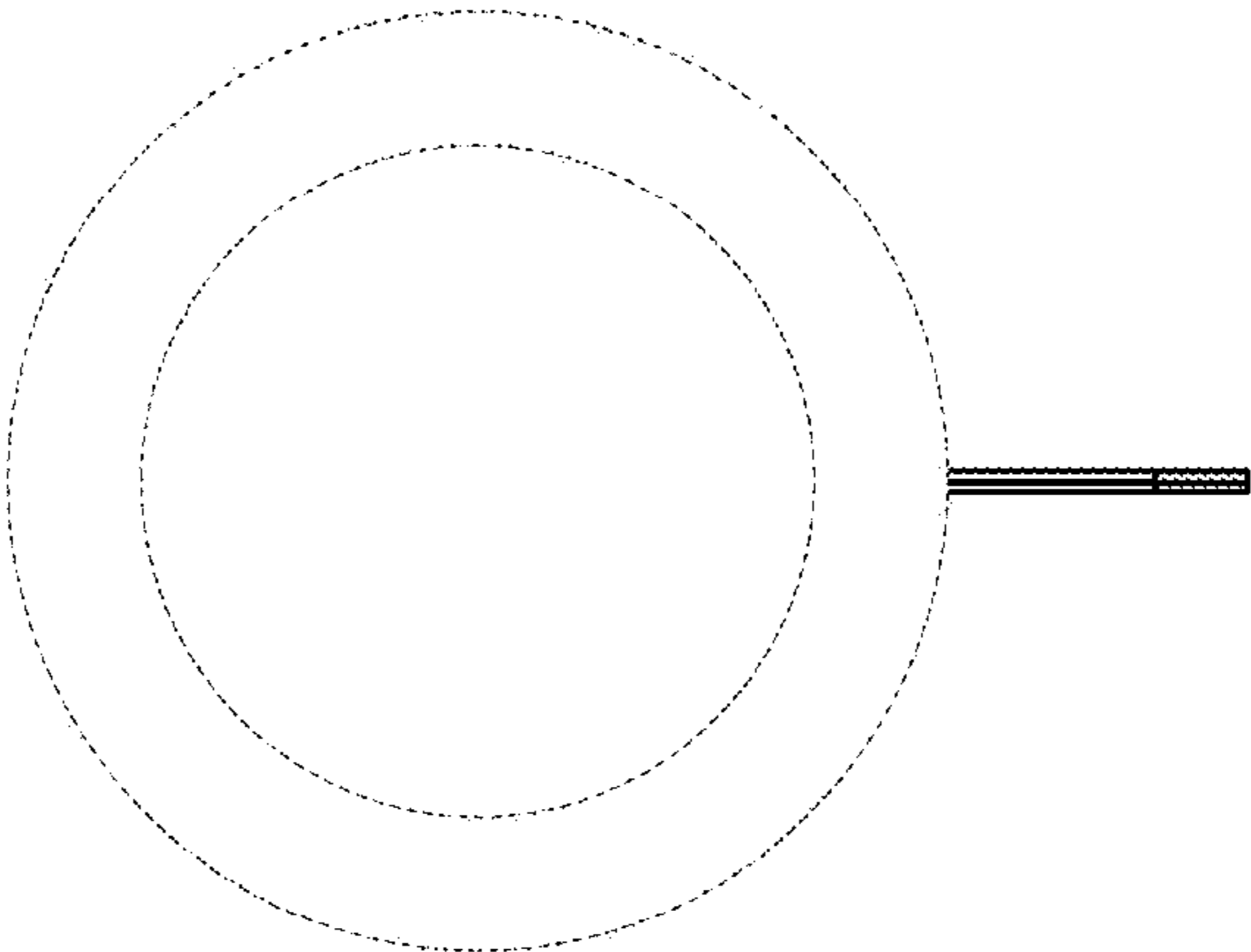


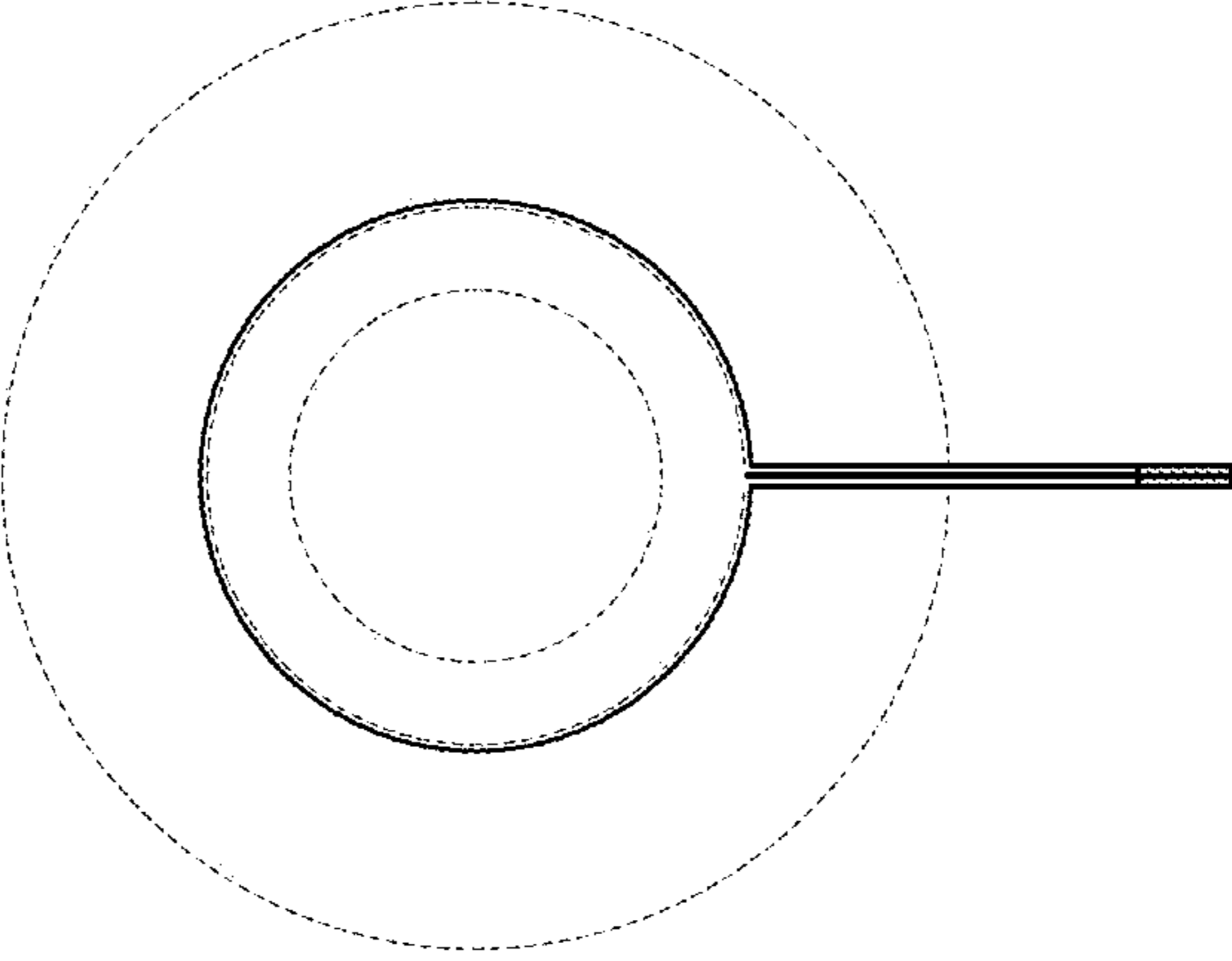
FIG. 61

**FIG. 62**





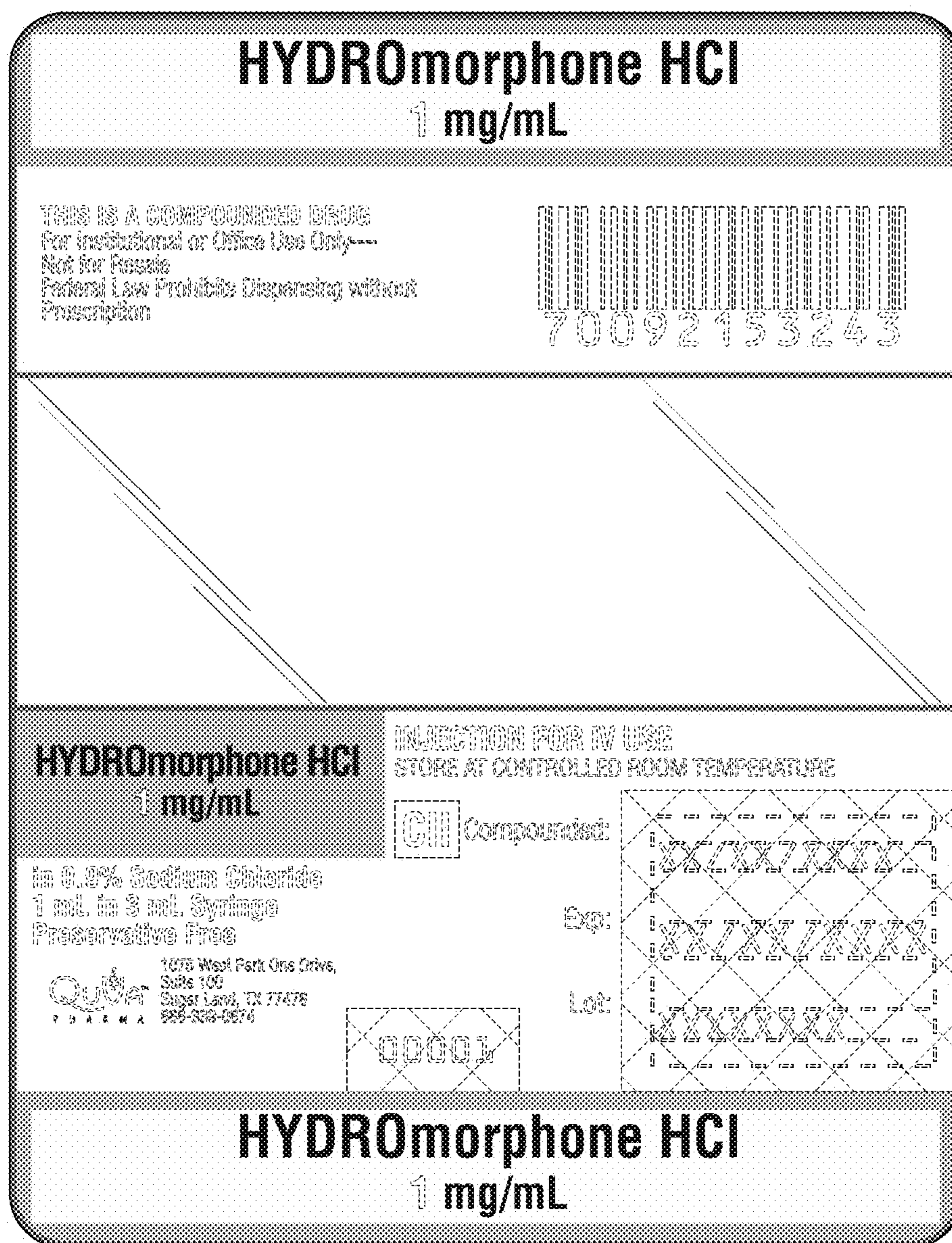
**FIG. 64**



**FIG. 63**



FIG. 65



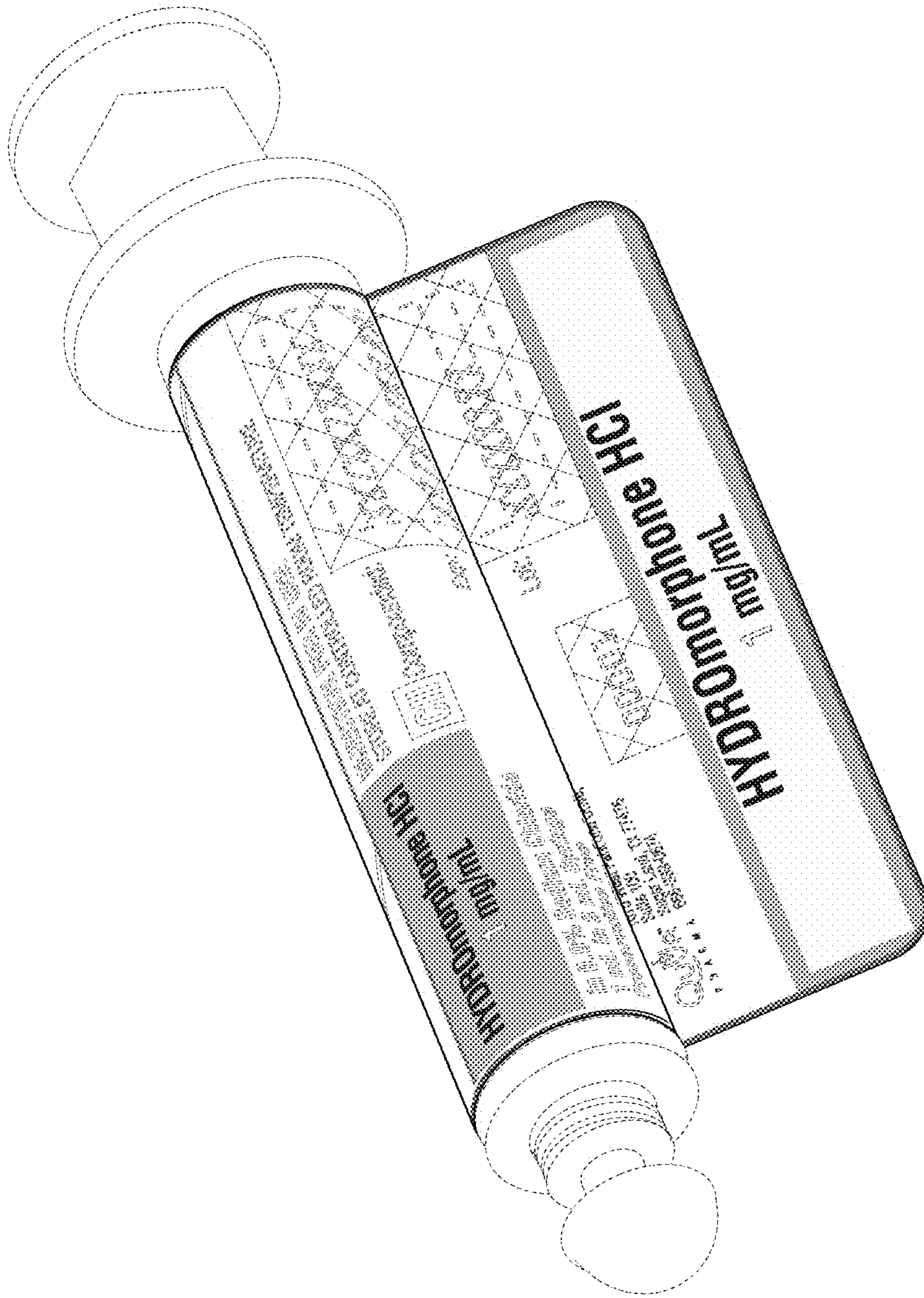
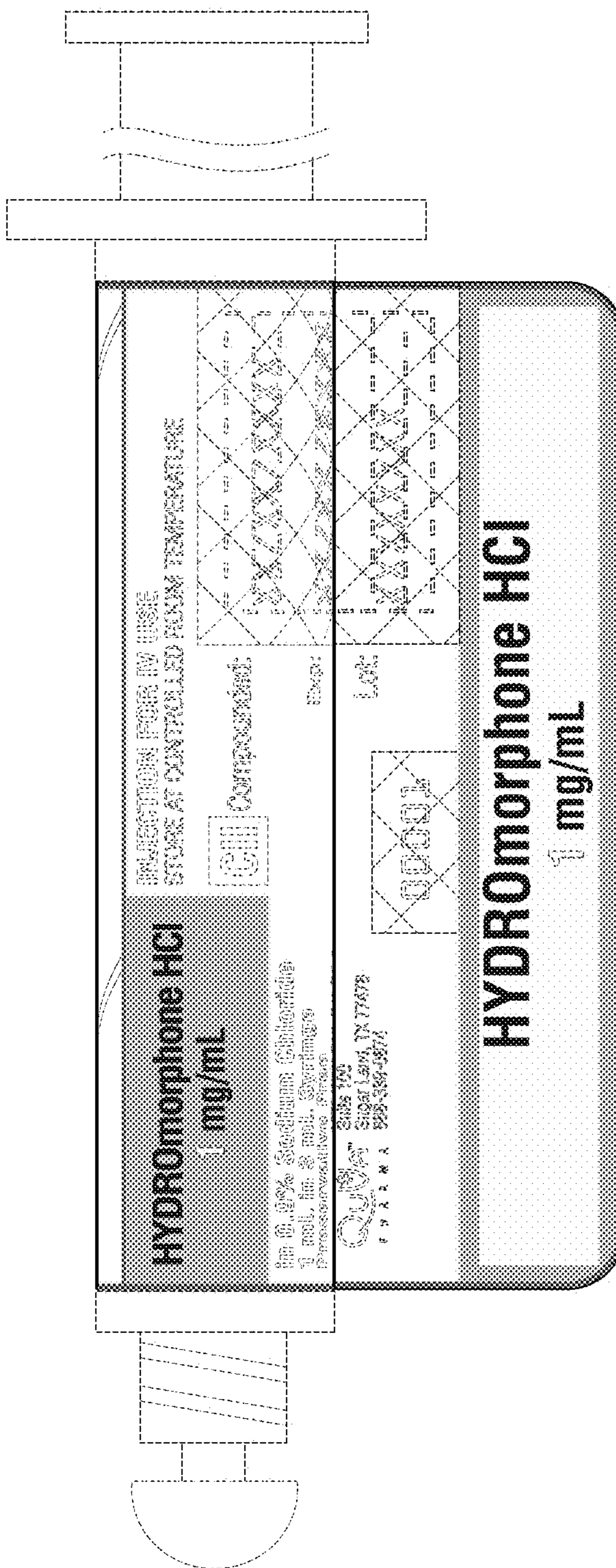


FIG. 66



FIG. 67





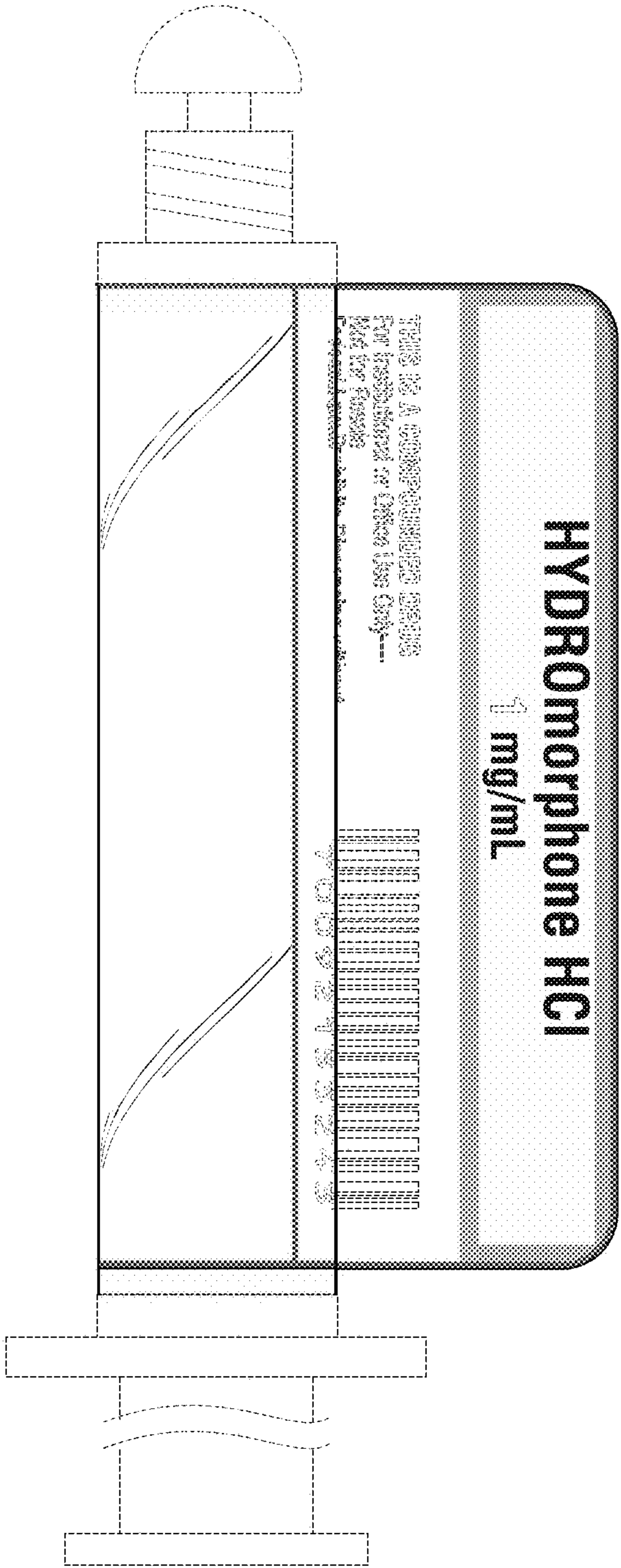
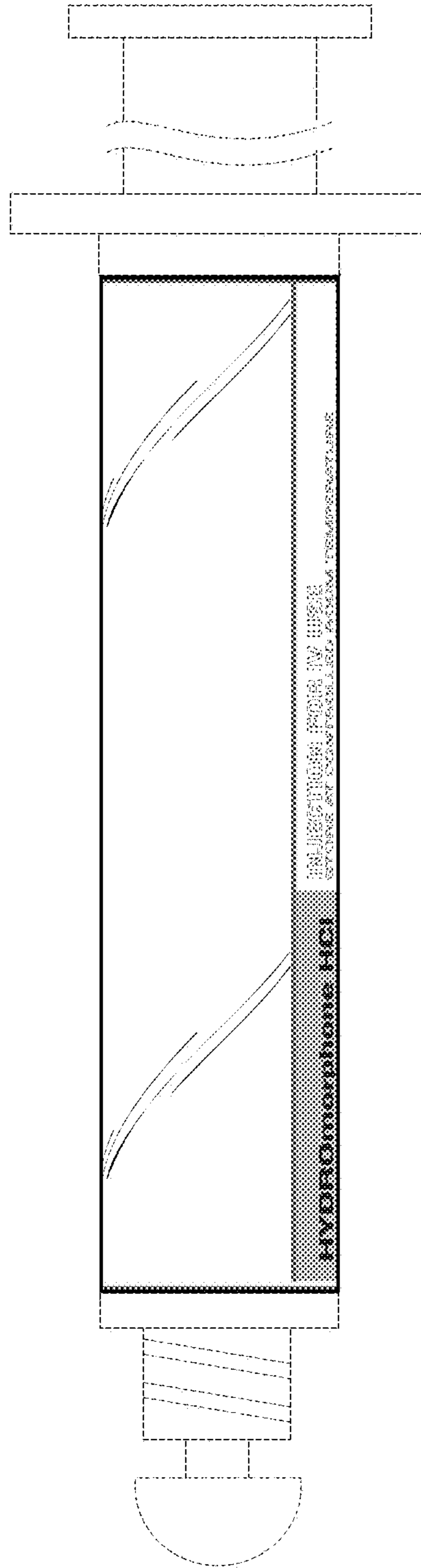
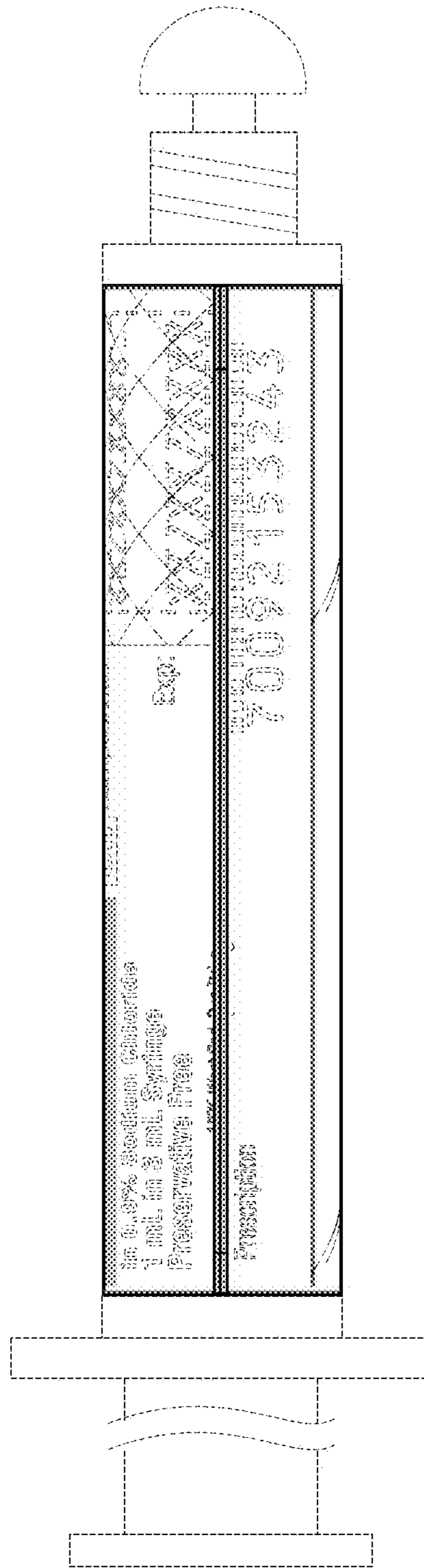


FIG. 68



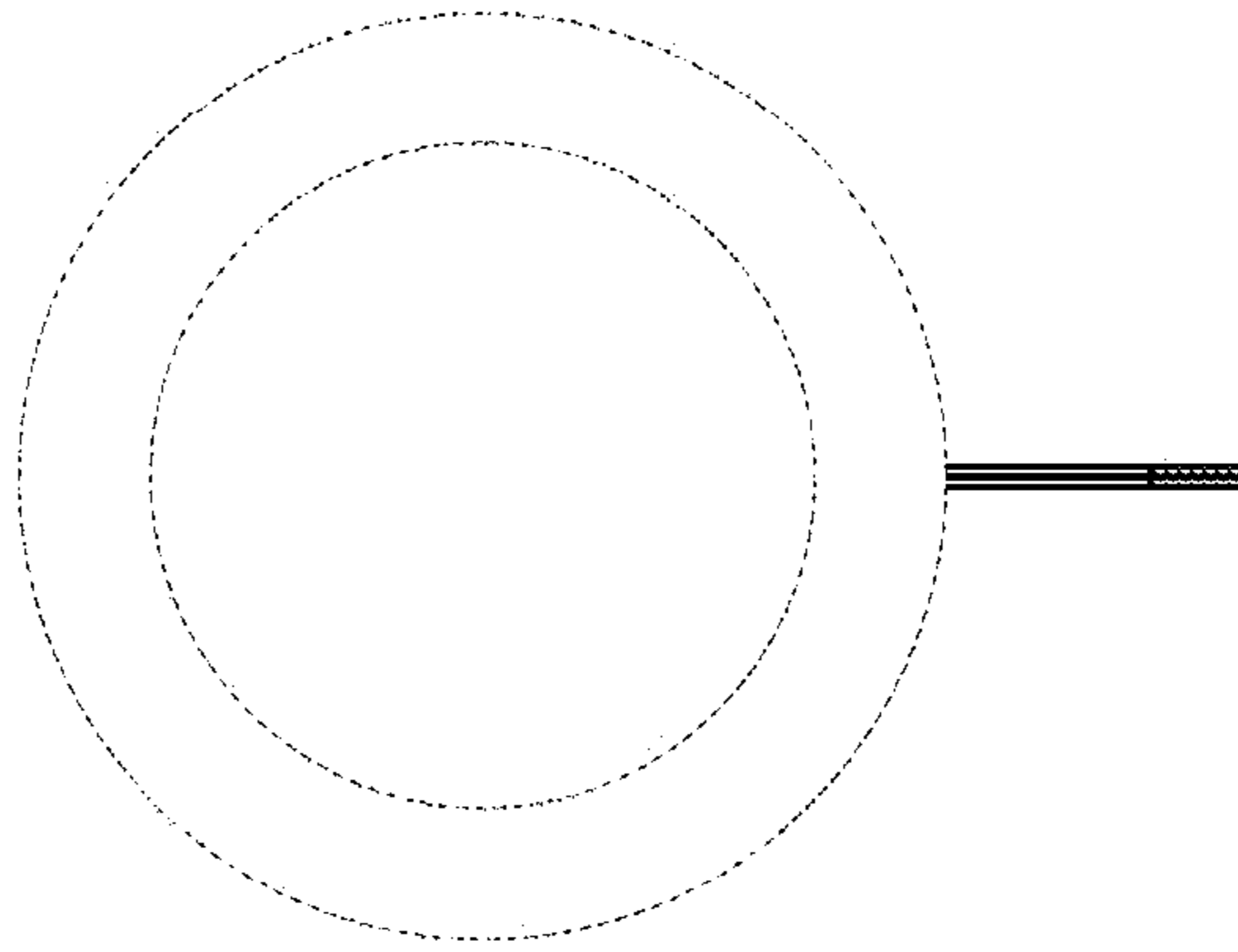
**FIG. 69**

**FIG. 70**





**FIG. 72**



**FIG. 71**

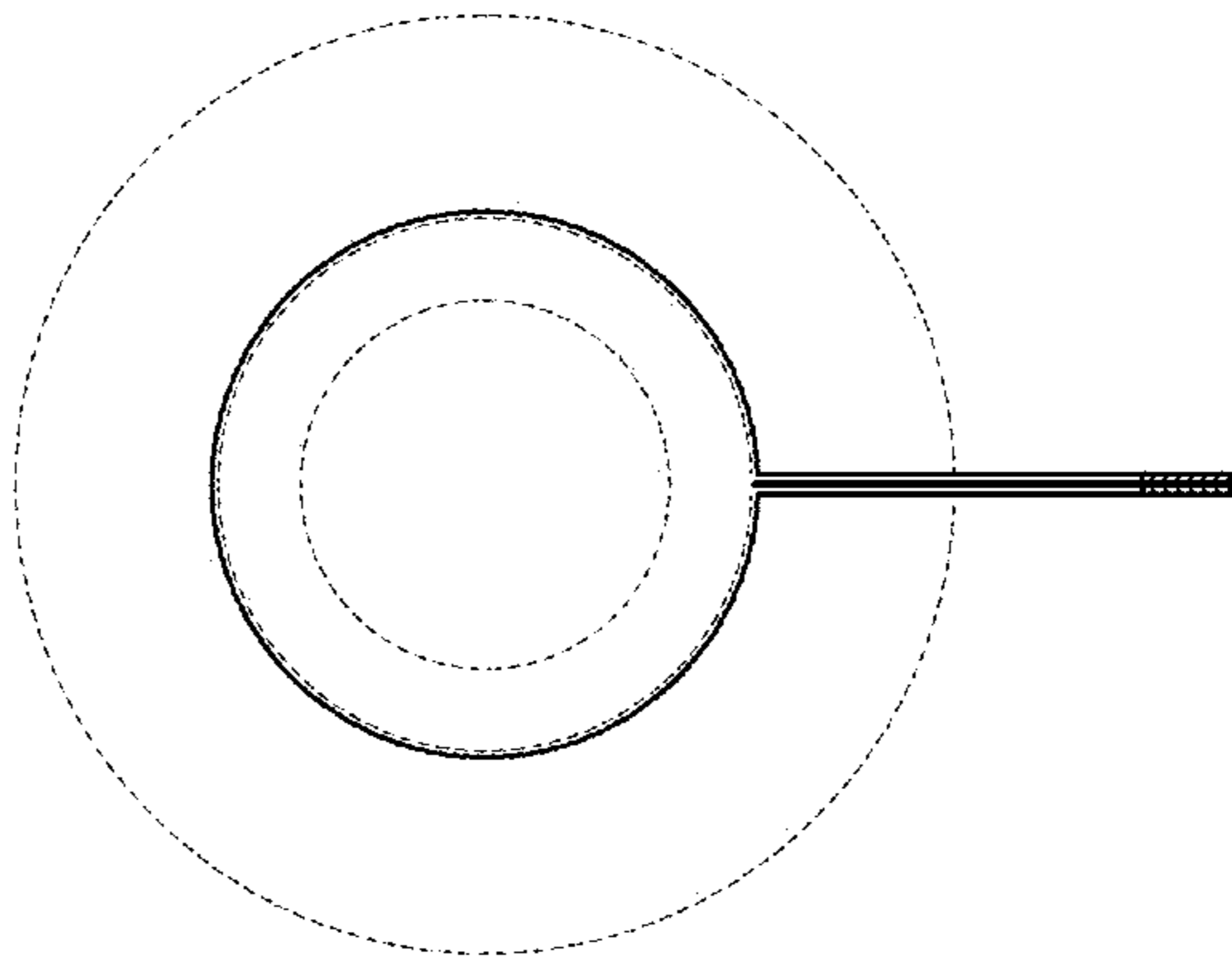


FIG. 73

**Labetalol HCl**  
20 mg/4 mL (5 mg/mL)

THIS IS A COMPOUNDED DRUG  
For Institutional or Office Use Only---  
Not for Resale  
Federal Law Prohibits Dispensing  
without Prescription  
To Report SUSPECTED ADVERSE REACTIONS,  
contact Qulva Pharma at (877-296-0190), or FDA  
at [www.FDA.gov/medwatch](http://www.FDA.gov/medwatch) or 1-800-FDA-1088.

INJECTION FOR IV USE  
STORE AT CONTROLLED  
ROOM TEMPERATURE

**Labetalol HCl**  
20 mg/4 mL  
(5 mg/mL)

70092155844

Compounded:

4 mL in 5 mL Syringe  
Preservative Free

 1075 West Park One Drive,  
Suite 100  
Sugar Land, TX 77478  
P H A R M A 866-339-0874

Exp: XX/XX/XXXX

Lot: XXXXXXXX

00001

**Labetalol HCl**  
20 mg/4 mL (5 mg/mL)

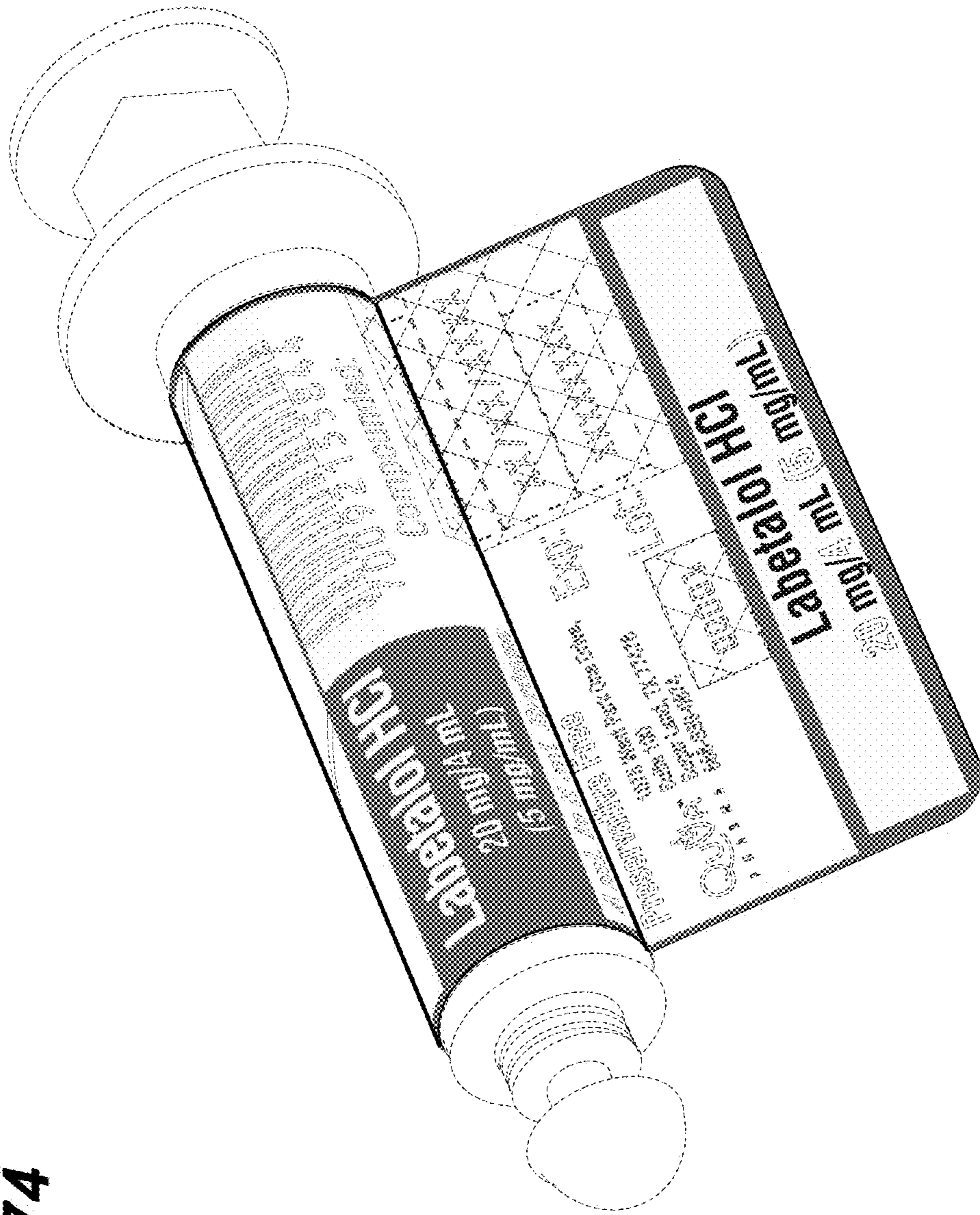
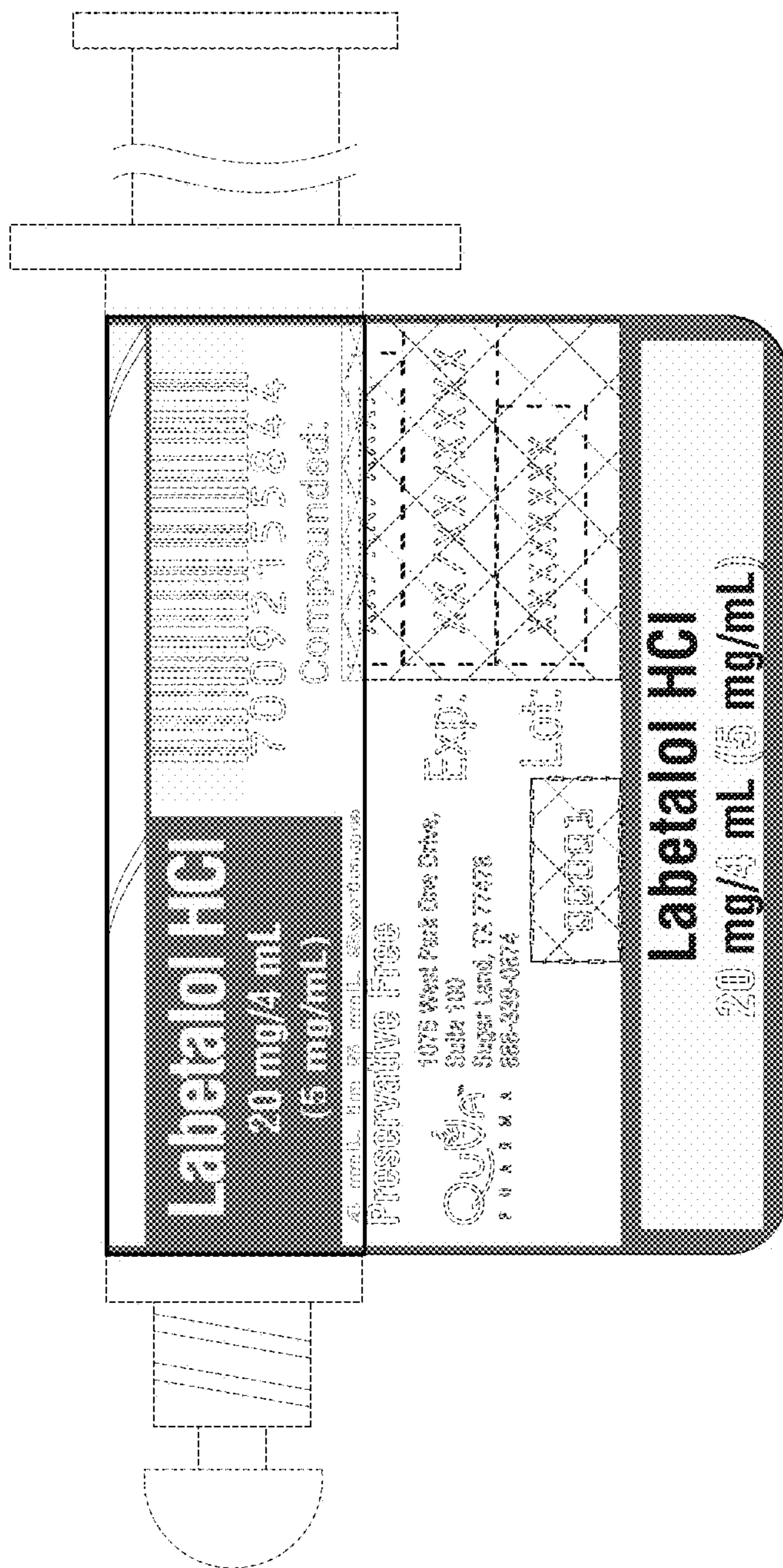


FIG. 74



FIG. 75



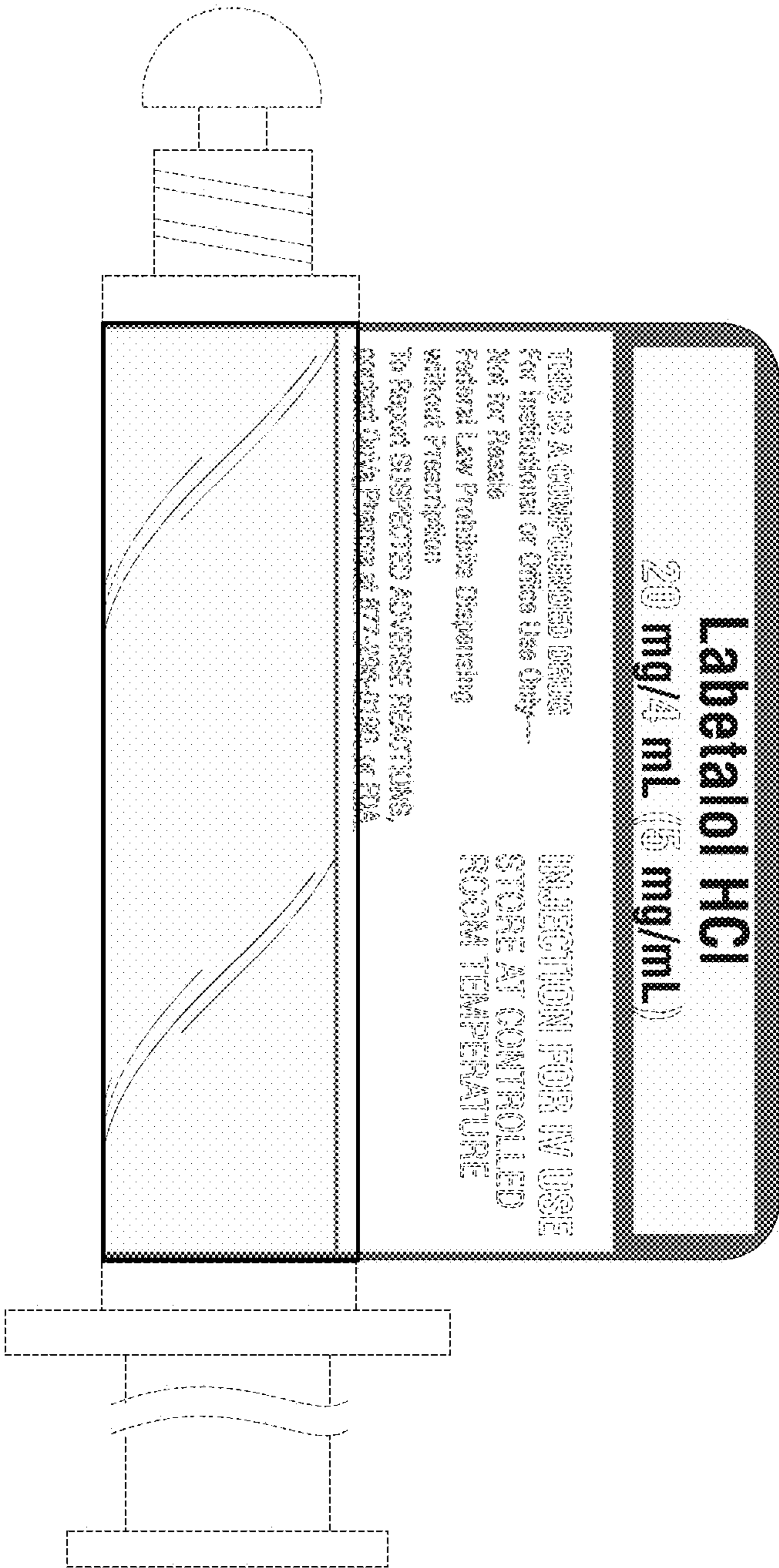
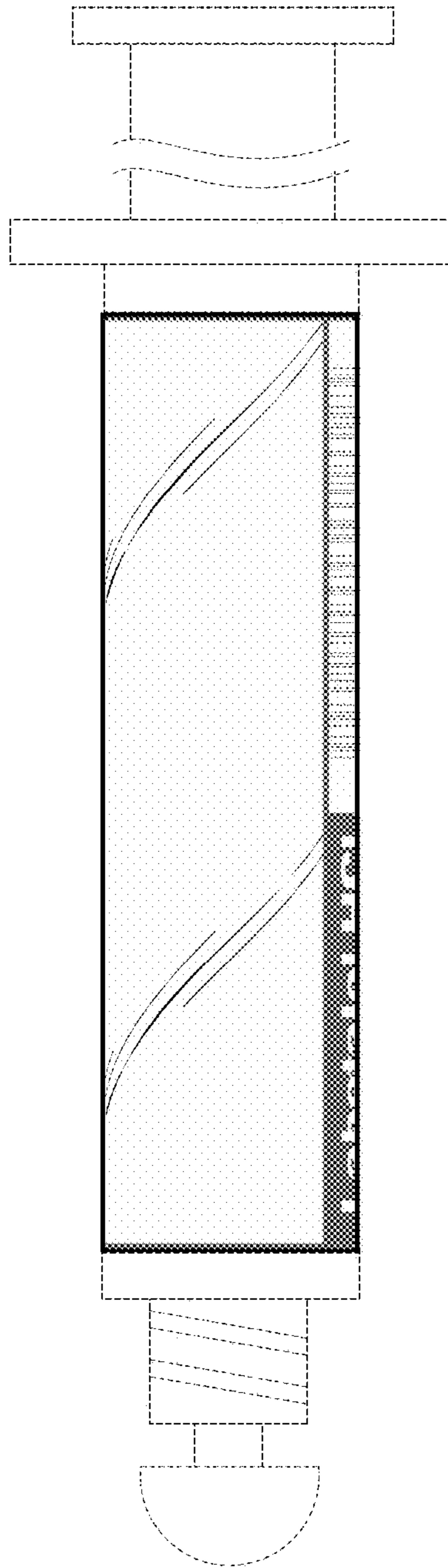


FIG. 76

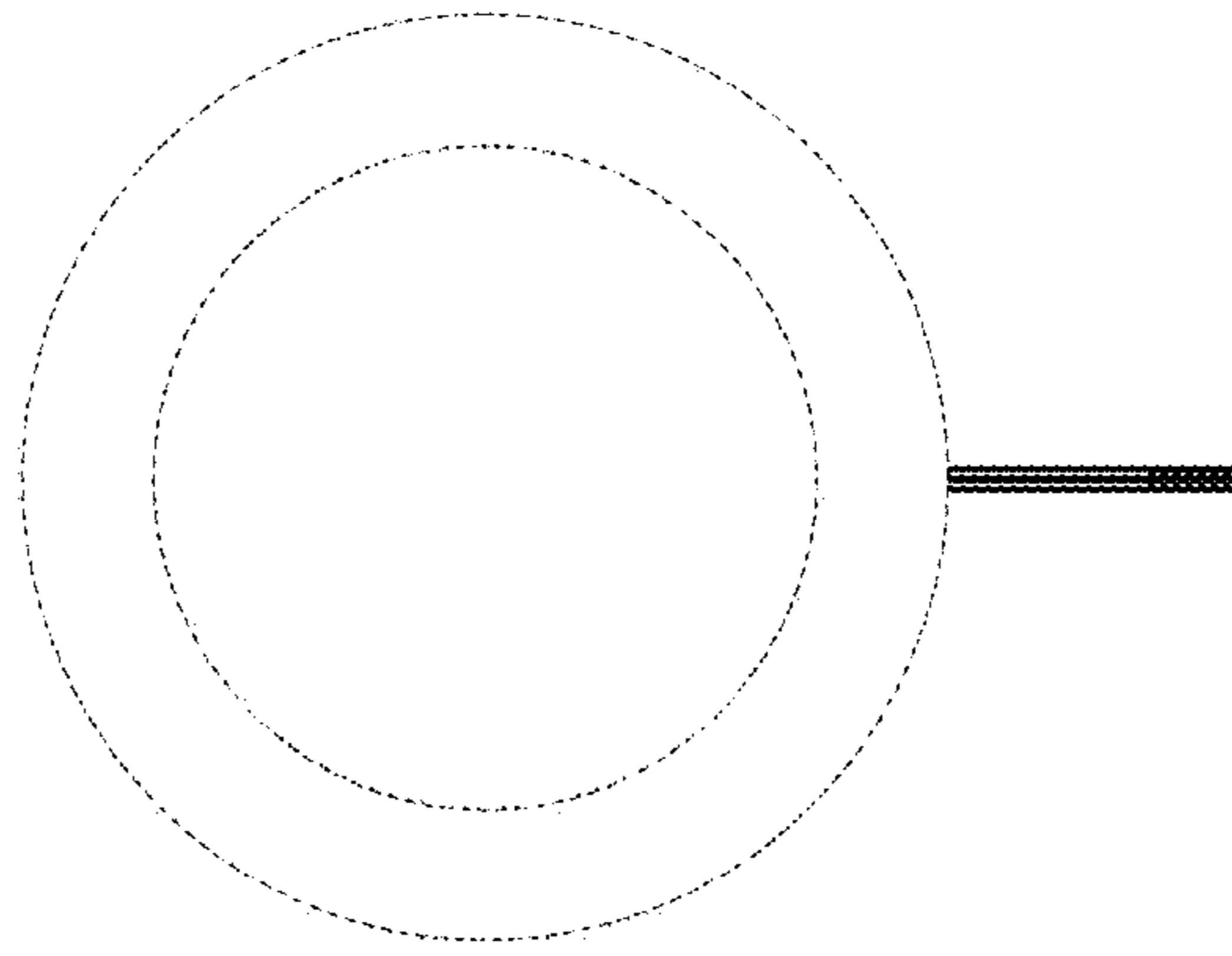


**FIG. 77**





**FIG. 80**



**FIG. 79**

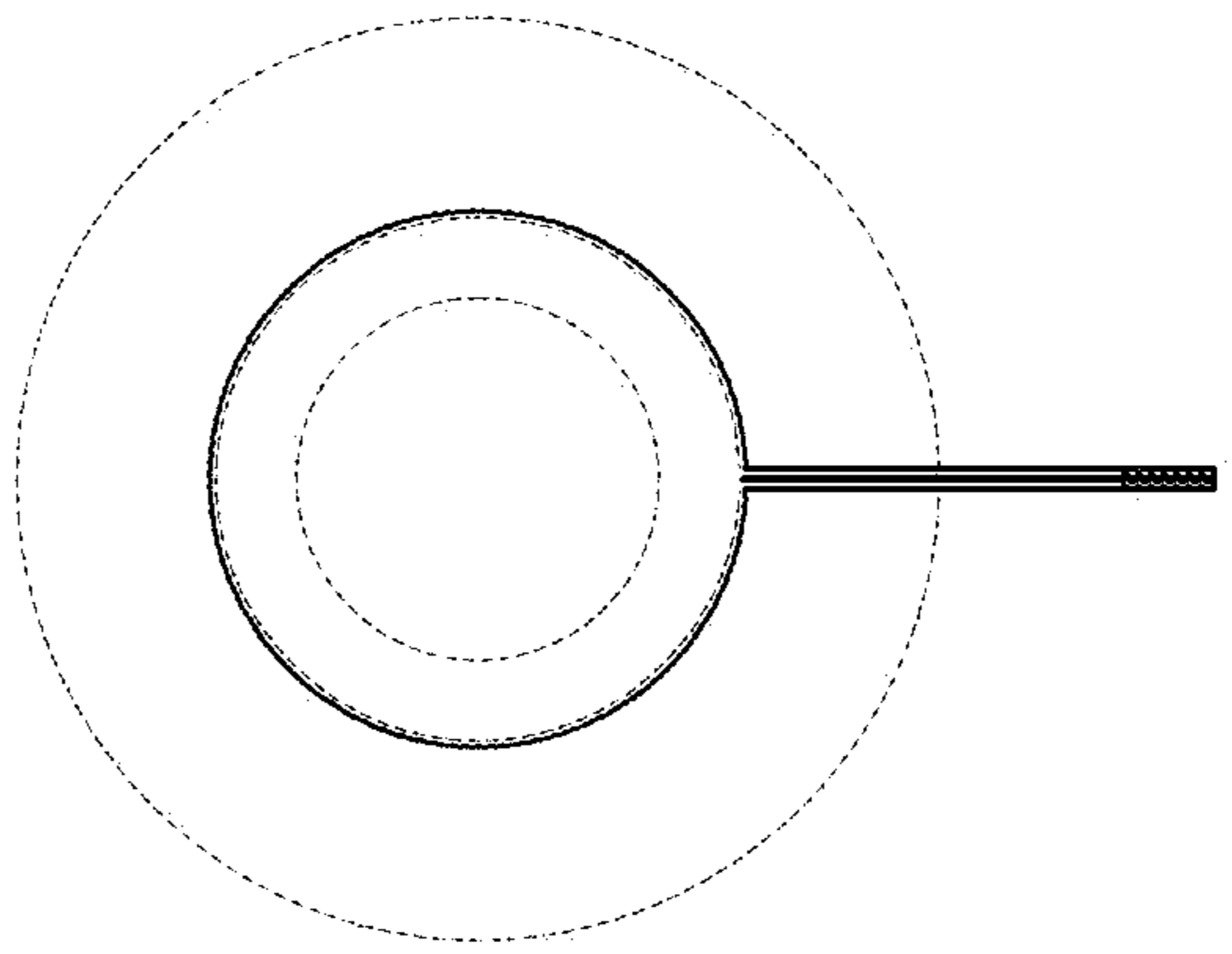


FIG. 81

**ROCURonium** Bromide  
50 mg/5 mL (10 mg/mL)

---

THIS IS A COMPOUNDED DRUG  
For Institutional or Office Use Only---  
Not for Resale  
Federal Law Prohibits Dispensing  
without Prescription  
To Report SUSPECTED ADVERSE REACTIONS,  
contact QvA Pharma at 877-296-0190, or FDA  
at [www.fda.gov/medwatch](http://www.fda.gov/medwatch) or 1-800-FDA-1088.

INJECTION FOR IV USE  
STORE AT CONTROLLED  
ROOM TEMPERATURE

HIGH ALERT

Warnings: Paralyzing Agent

---

**ROCURonium**  
Bromide  
50 mg/5 mL (10 mg/mL)

5 mL in 5 mL Syringe  
Preservative Free

 1075 West Park One Drive,  
Suite 100  
Sugar Land, TX 77478  
888-333-0674

00001



70092107344

Compounded:

Exp: XX/XX/XXXX

Lot: XXXXXXXXXX

---

**ROCURonium** Bromide  
50 mg/5 mL (10 mg/mL)



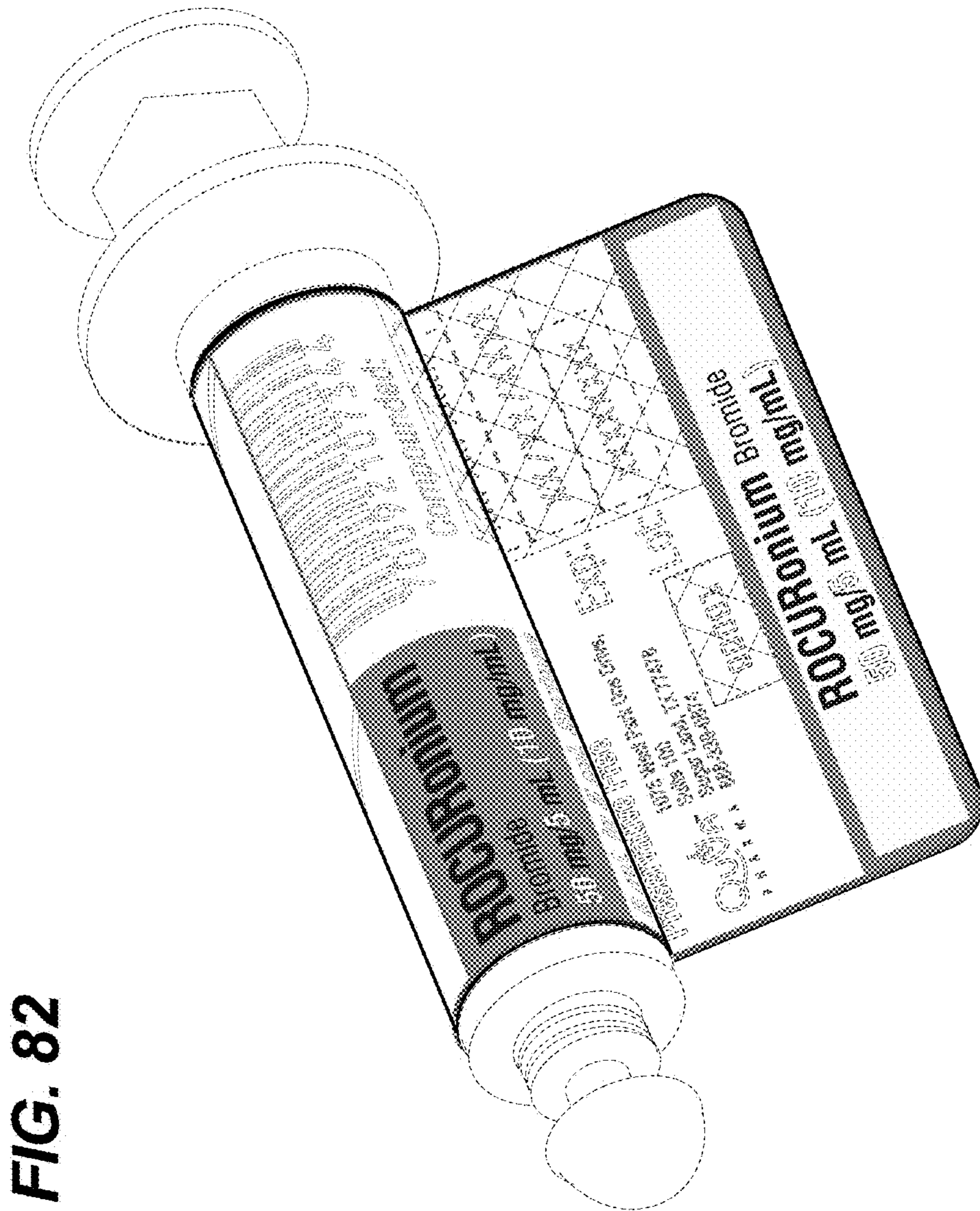
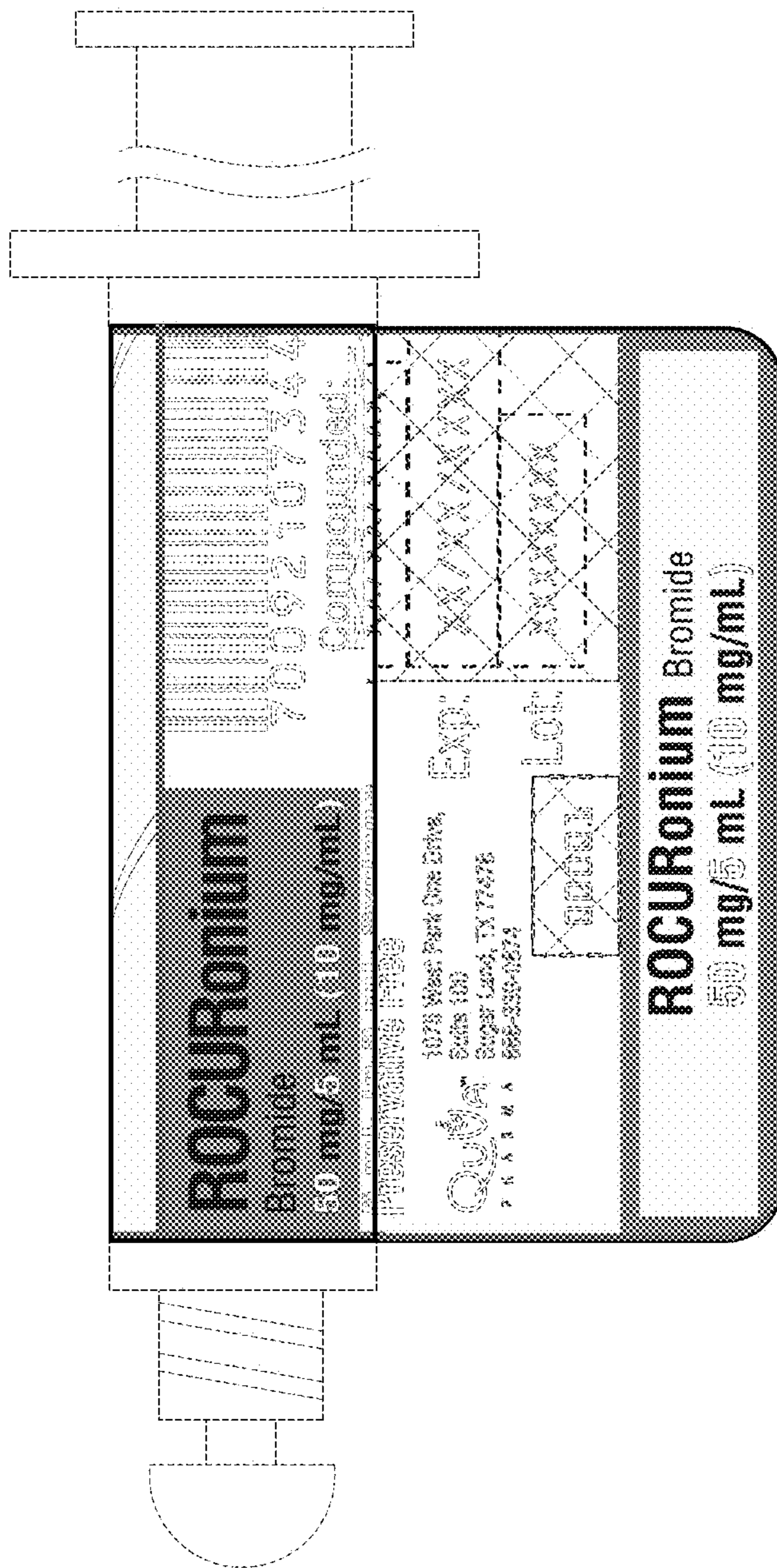


FIG. 82

FIG. 83



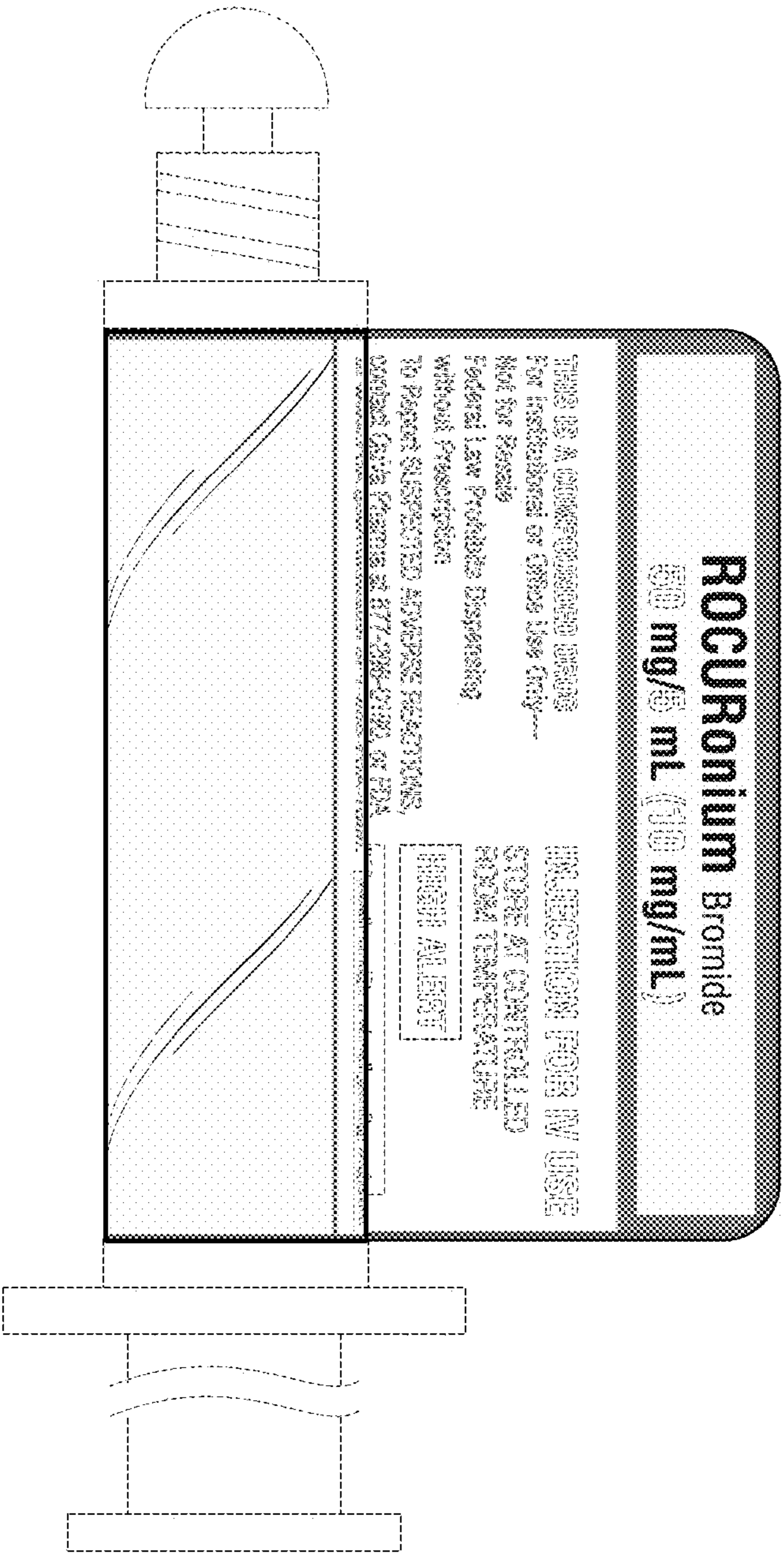
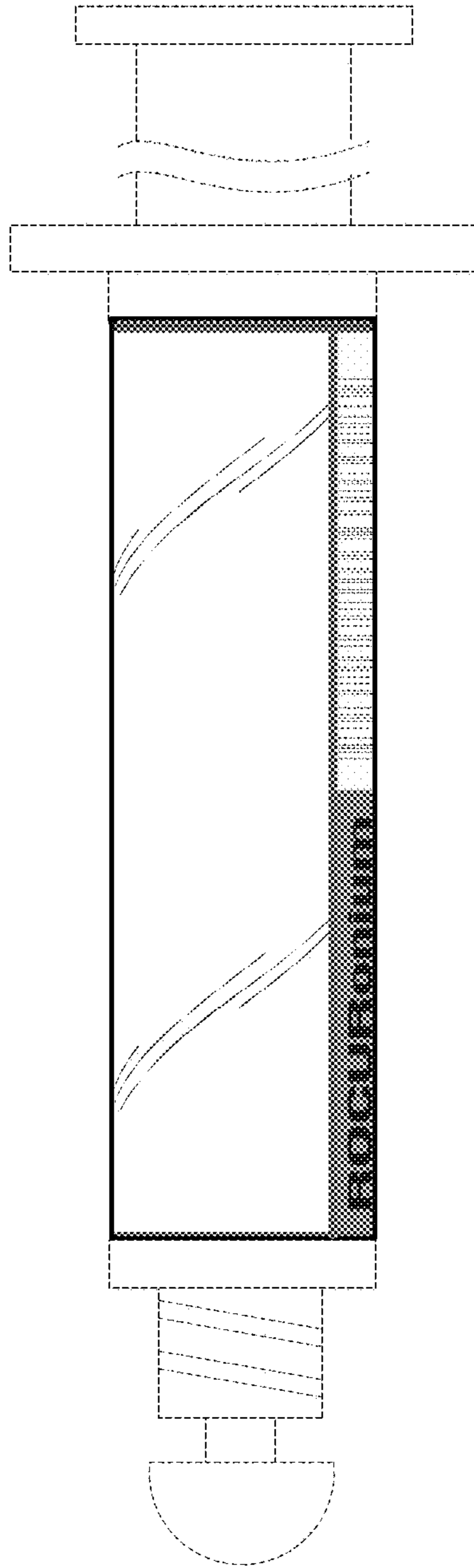


FIG. 84



**FIG. 85**



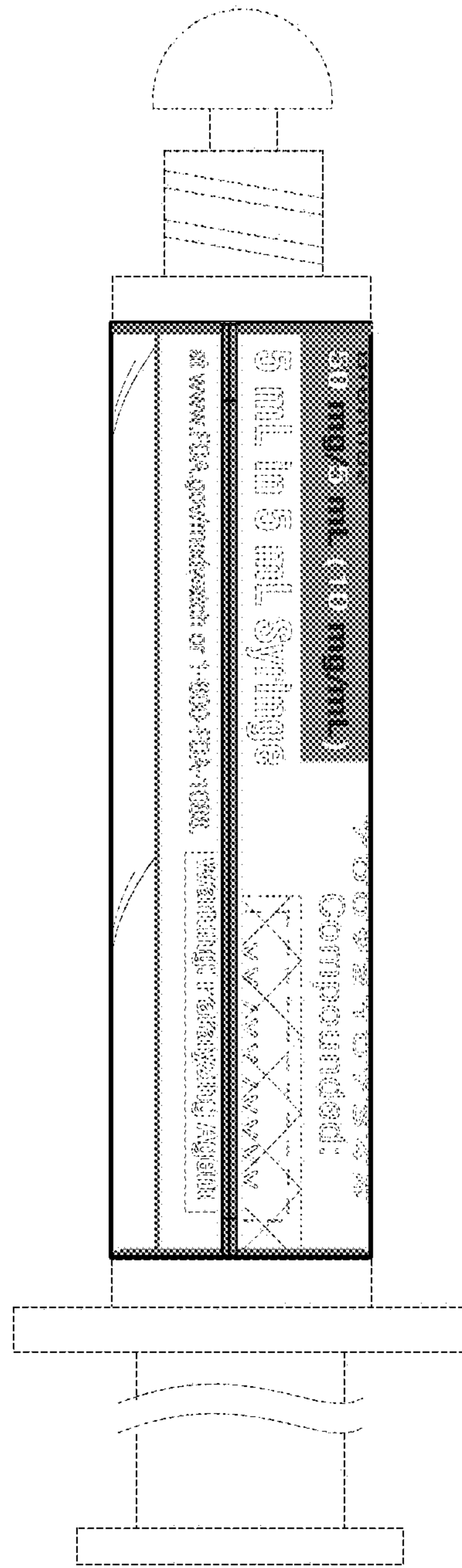
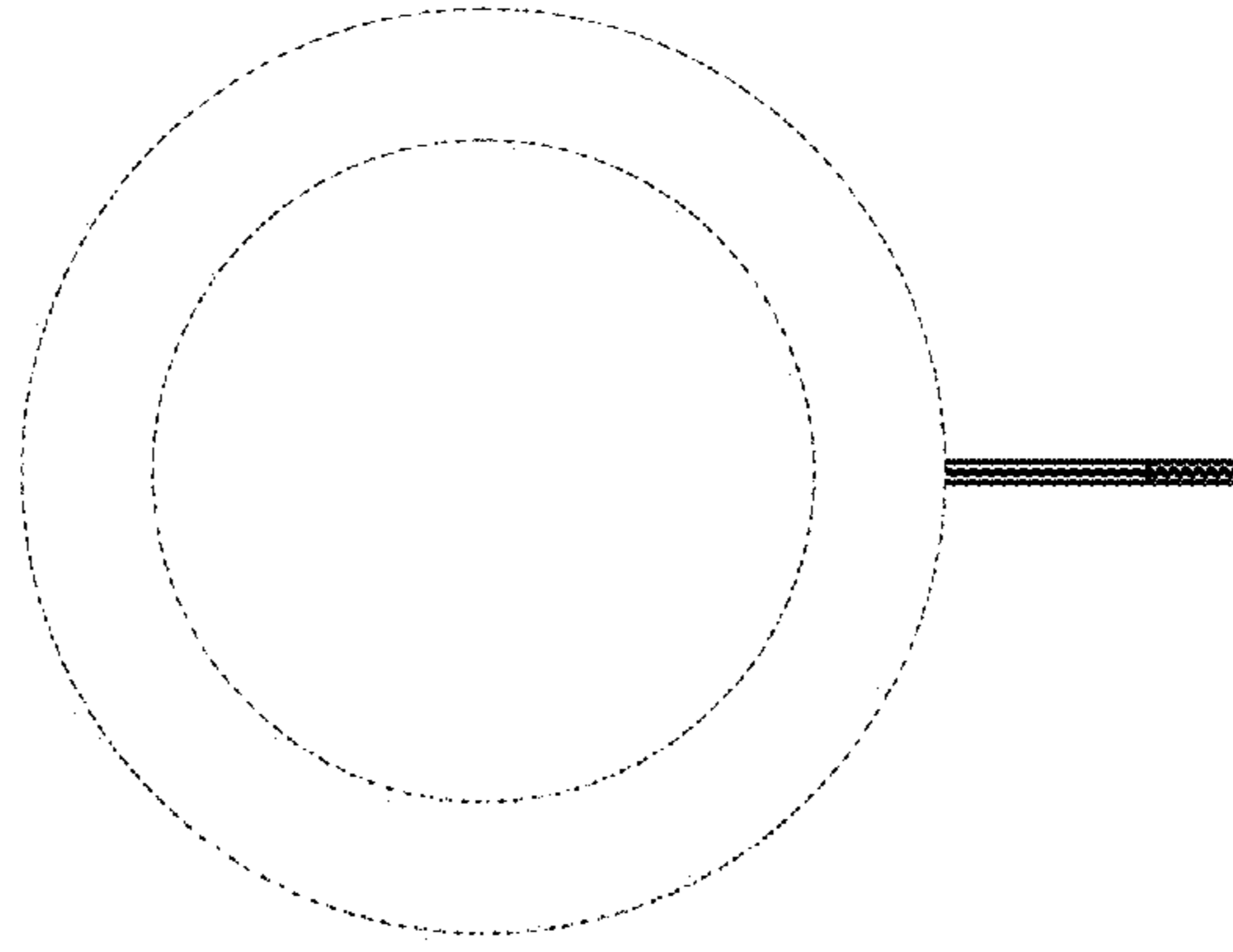


FIG. 86

**FIG. 88**



**FIG. 87**

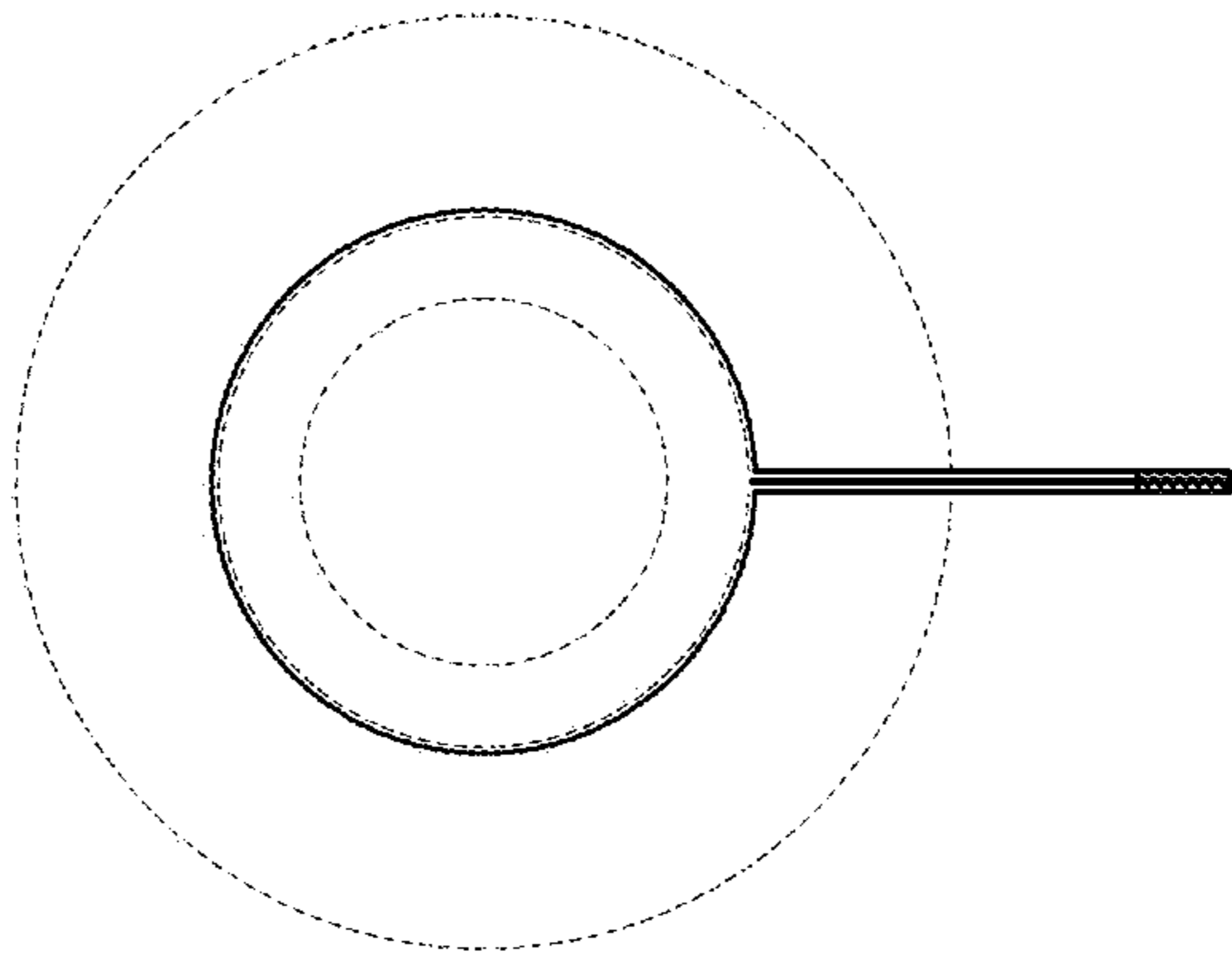





FIG. 89

**SUCCINYLcholine** Chloride  
100 mg/5 mL (20 mg/mL)

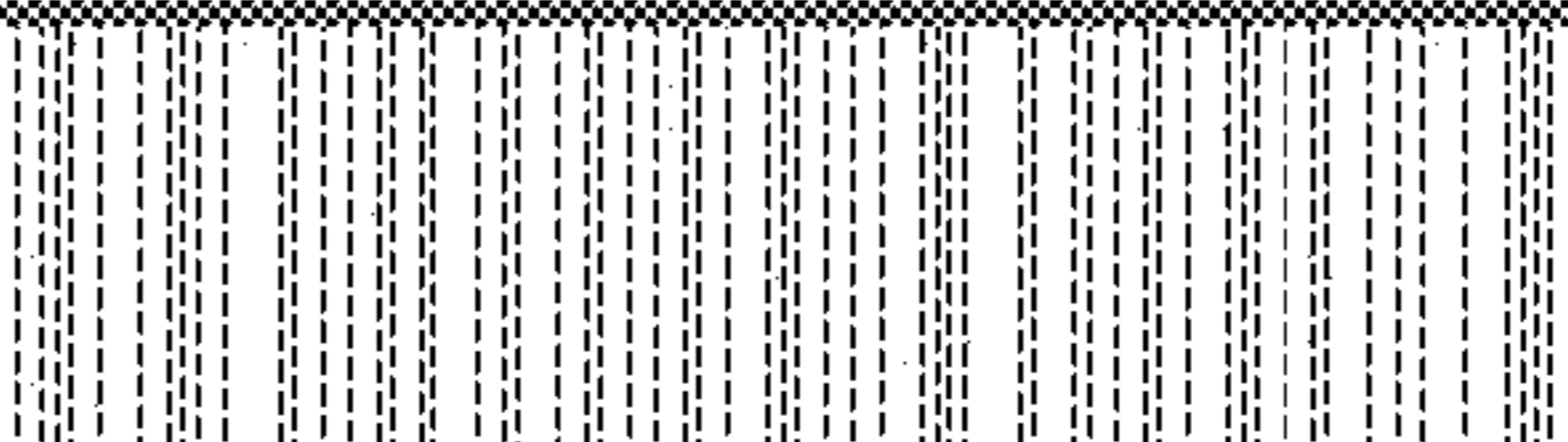
<p>THIS IS A COMPOUNDED DRUG For Institutional or Office Use Only— Not for Resale Federal Law Prohibits Dispensing without Prescription To Report SUSPECTED ADVERSE REACTIONS, contact QuVa Pharma at 877-236-0100, or FDA at <a href="http://www.FDA.gov/medwatch">www.FDA.gov/medwatch</a> or 1-800-FDA-1088.</p>	<p>INJECTION FOR IV USE STORE AT CONTROLLED ROOM TEMPERATURE</p> <div style="border: 1px dashed black; padding: 2px; text-align: center;">HIGH ALERT</div> <div style="border: 1px dashed black; padding: 2px; text-align: center;">Warning: Paralyzing Agent</div>
---	---

**SUCCINYLcholine**  
Chloride  
100 mg/5 mL (20 mg/mL)

5 mL in 5 mL Syringe  
Preservative Free

 1075 West Park One Drive,  
Suite 100  
Sugar Land, TX 77478  
888-333-0874

00001



70092120144

Compounded:

XX/XX/XXXX
XX/XX/XXXX
XXXXXXXX

Exp: \_\_\_\_\_

Lot: \_\_\_\_\_

**SUCCINYLcholine** Chloride  
100 mg/5 mL (20 mg/mL)

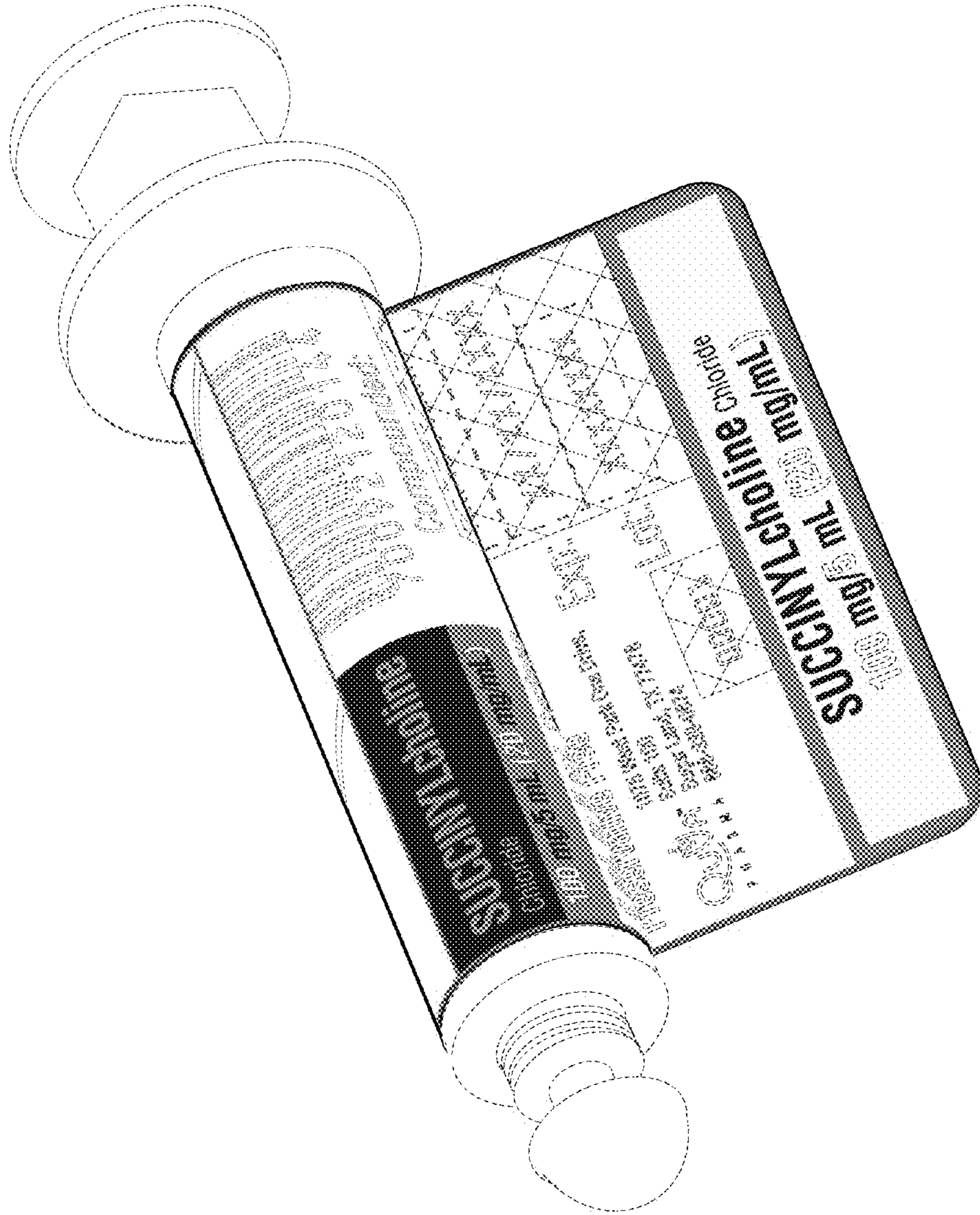
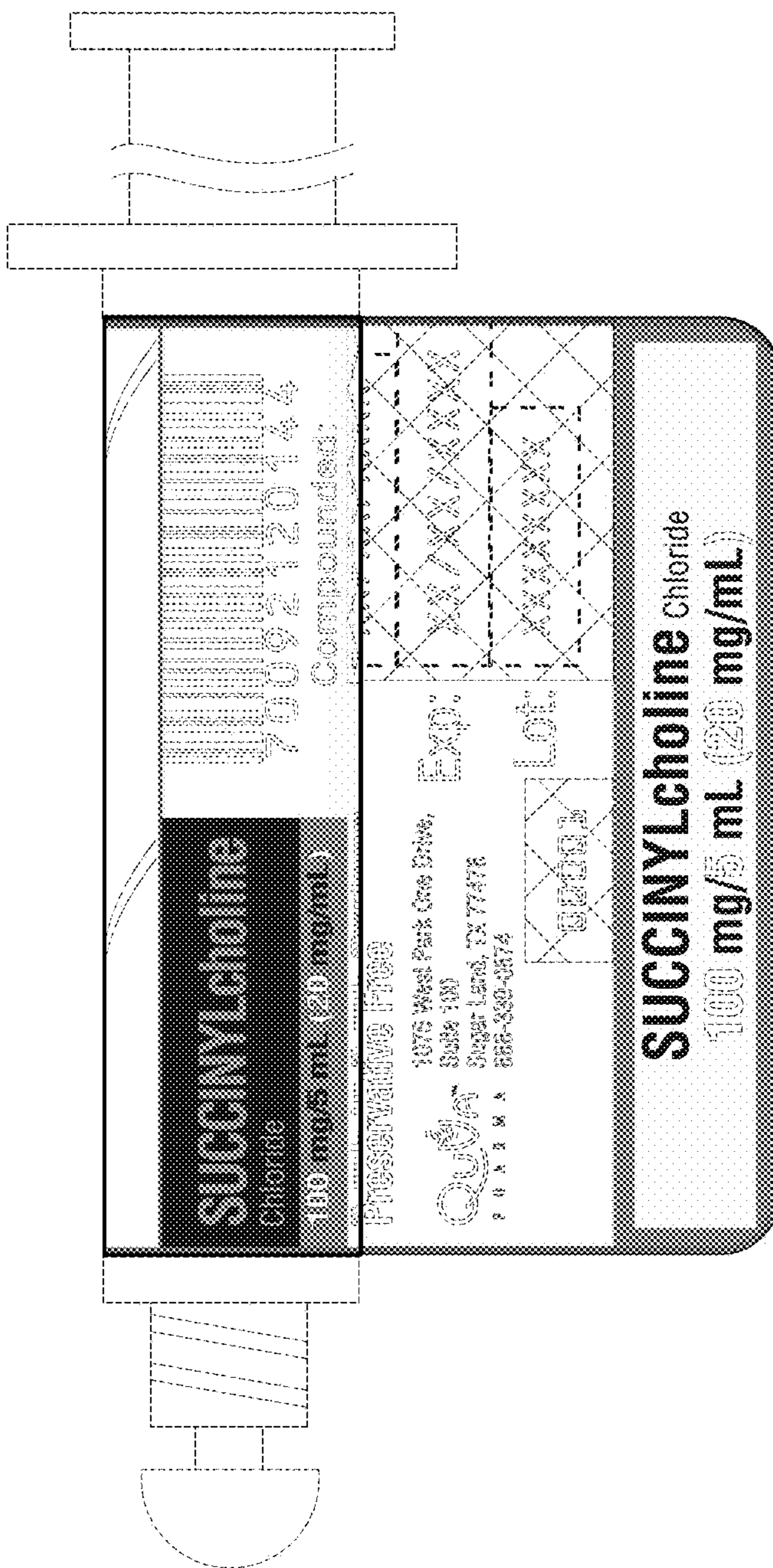


FIG. 90



FIG. 91





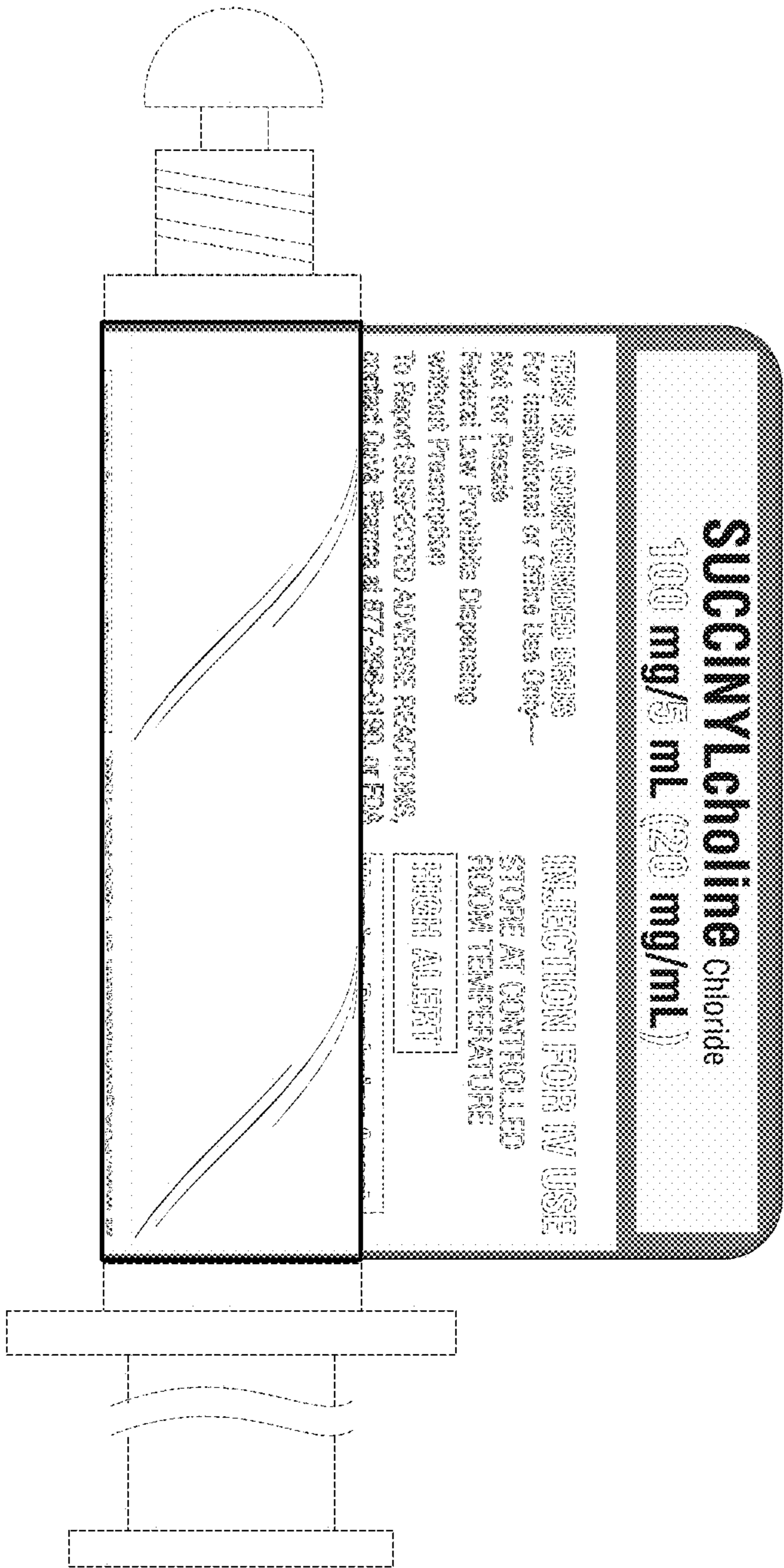
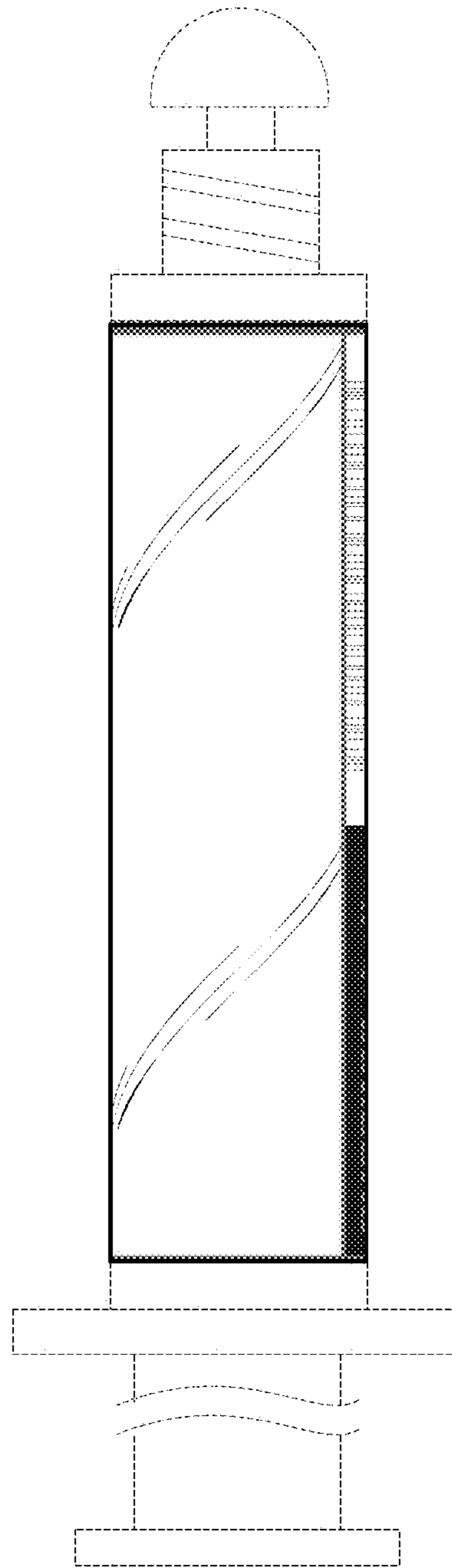


FIG. 92



**FIG. 93**

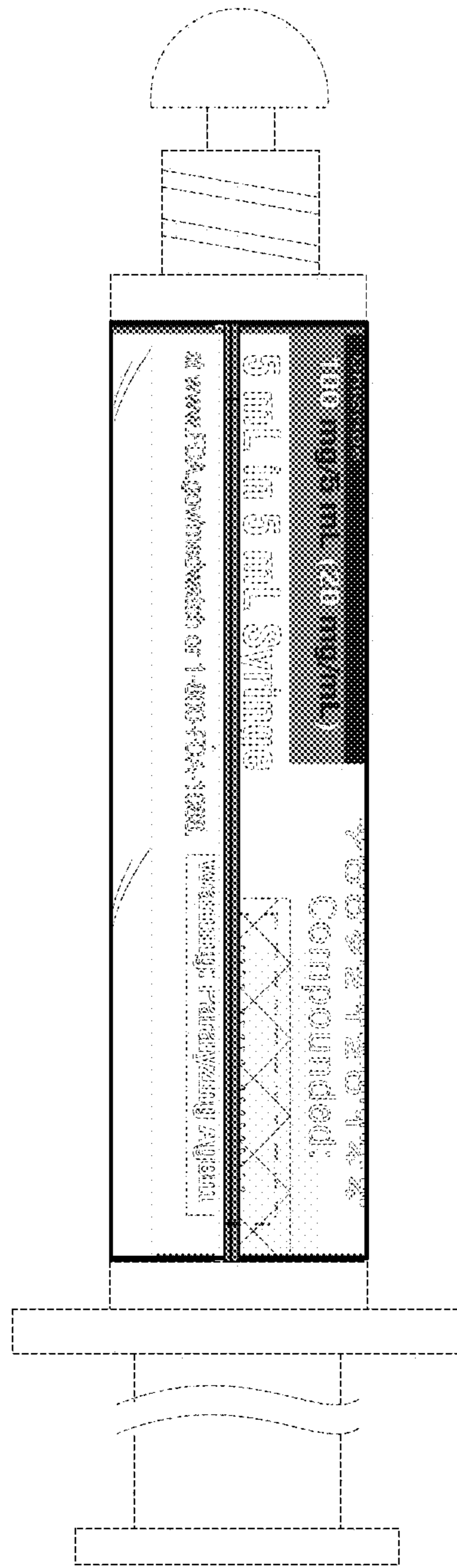
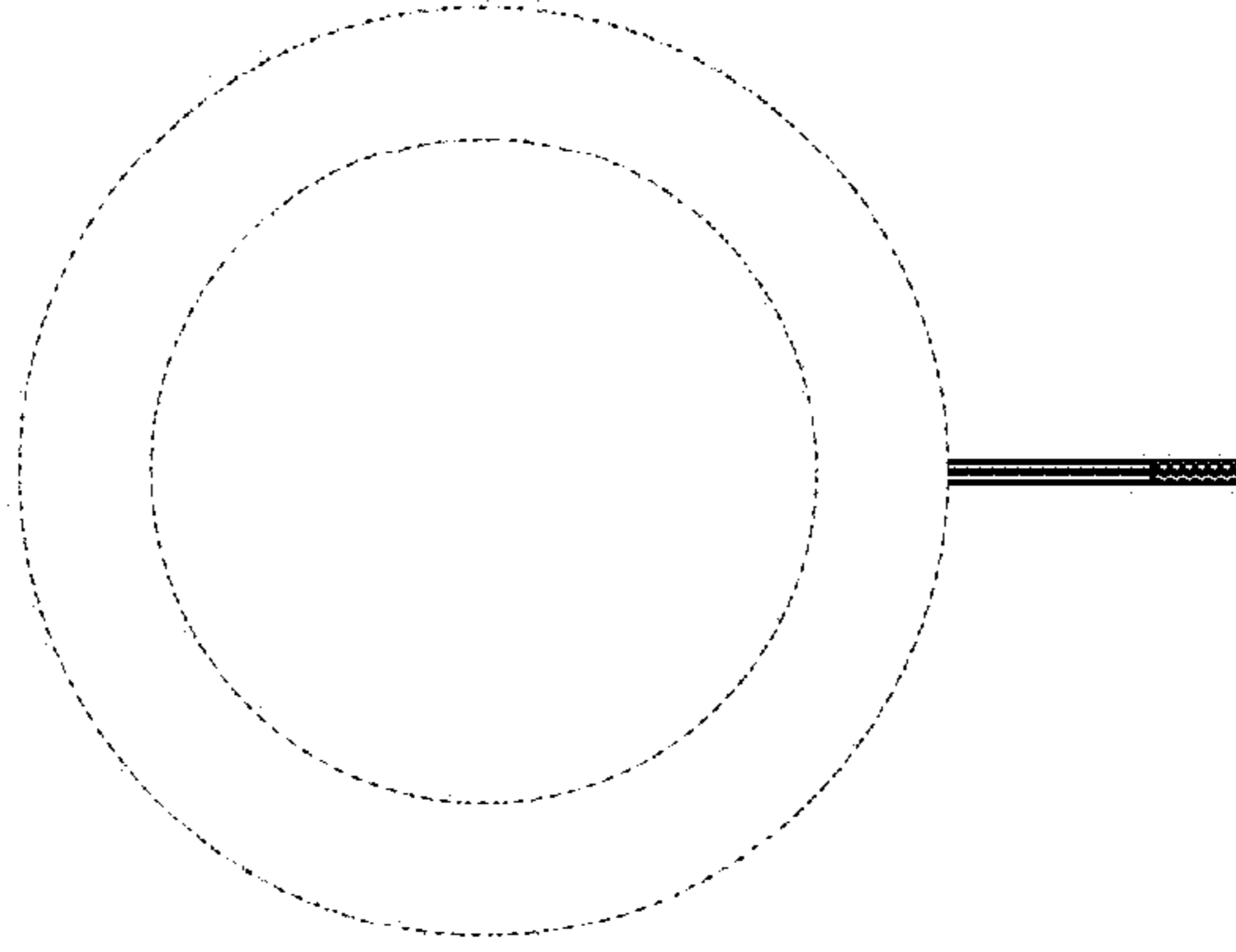


FIG. 94



**FIG. 96**



**FIG. 95**

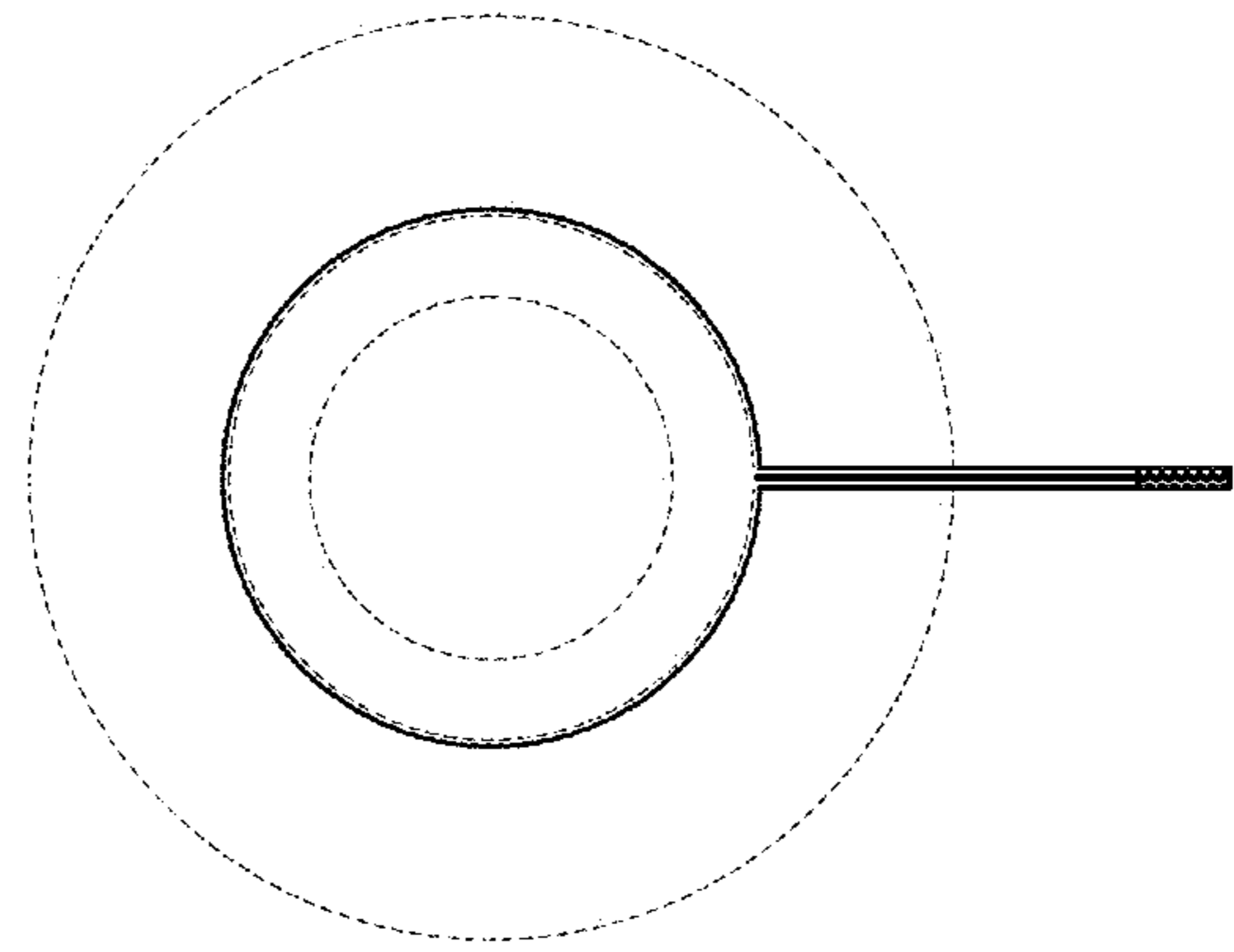
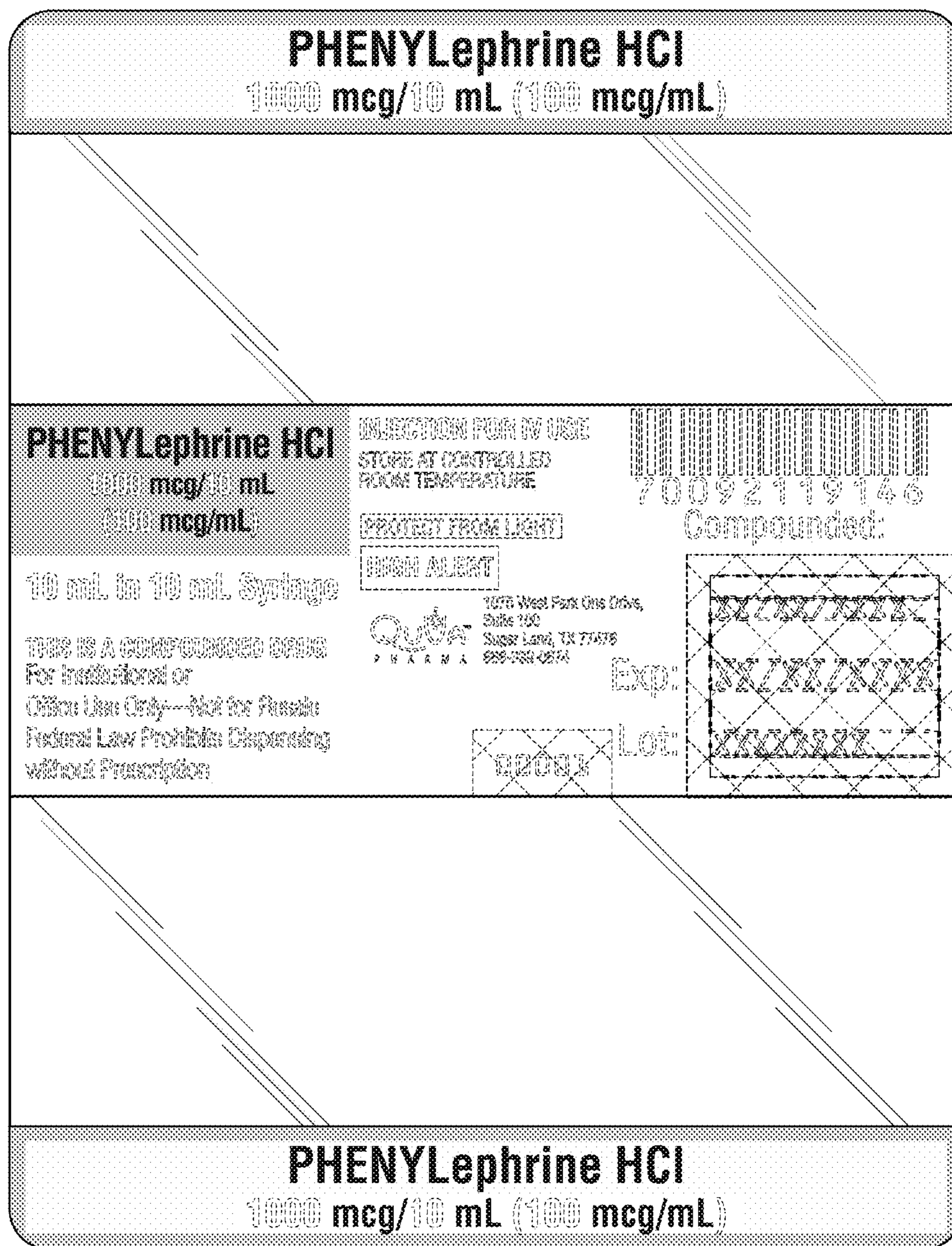


FIG. 97



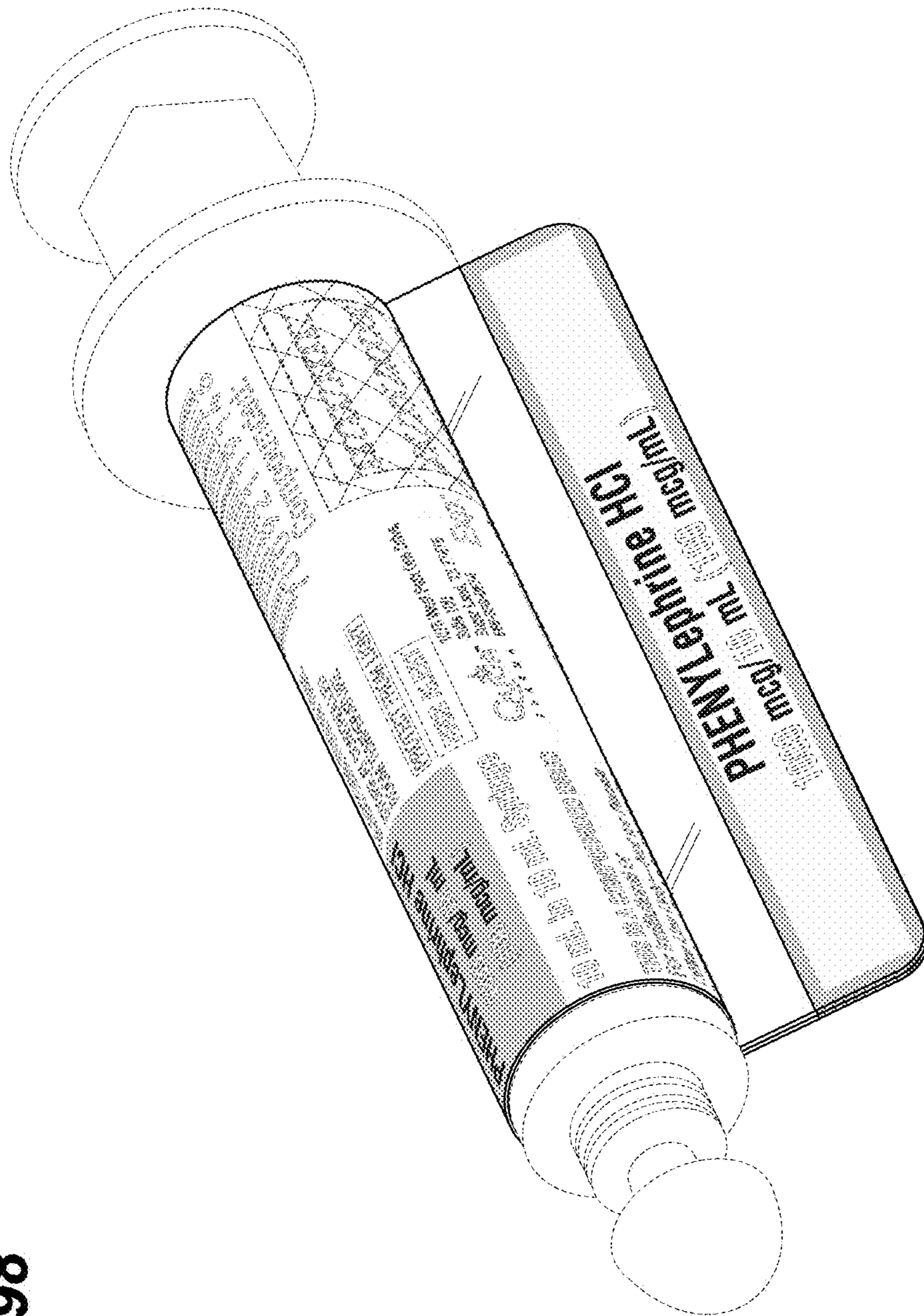
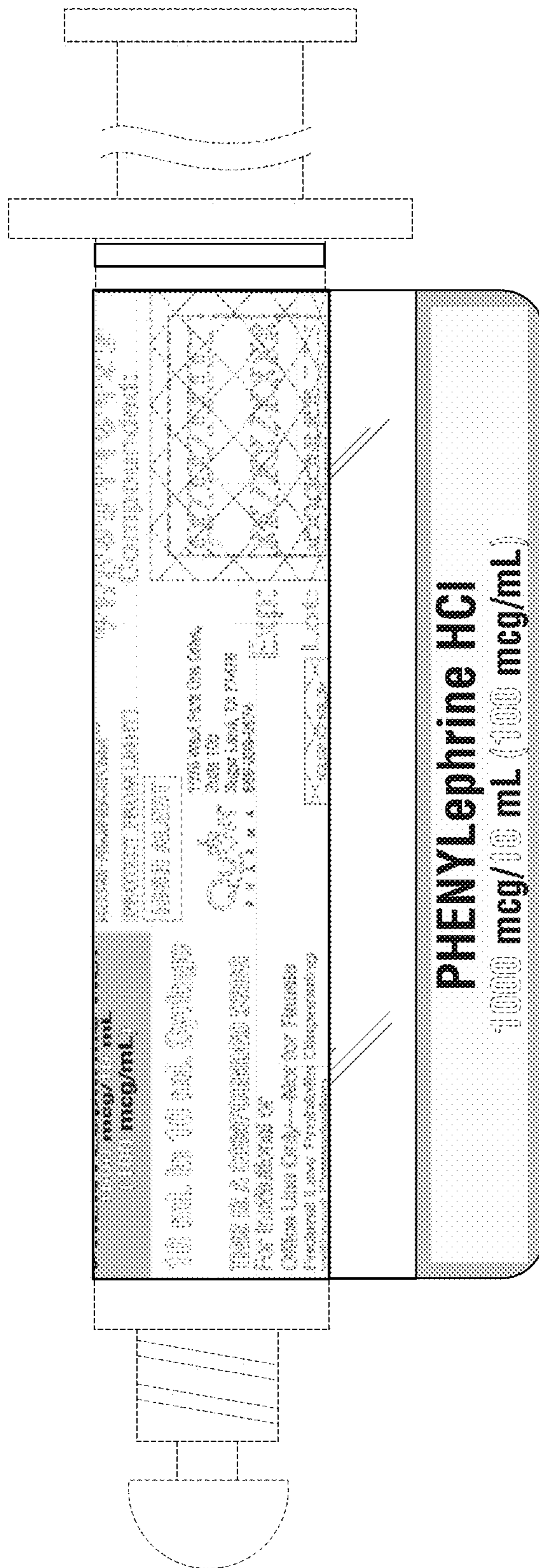
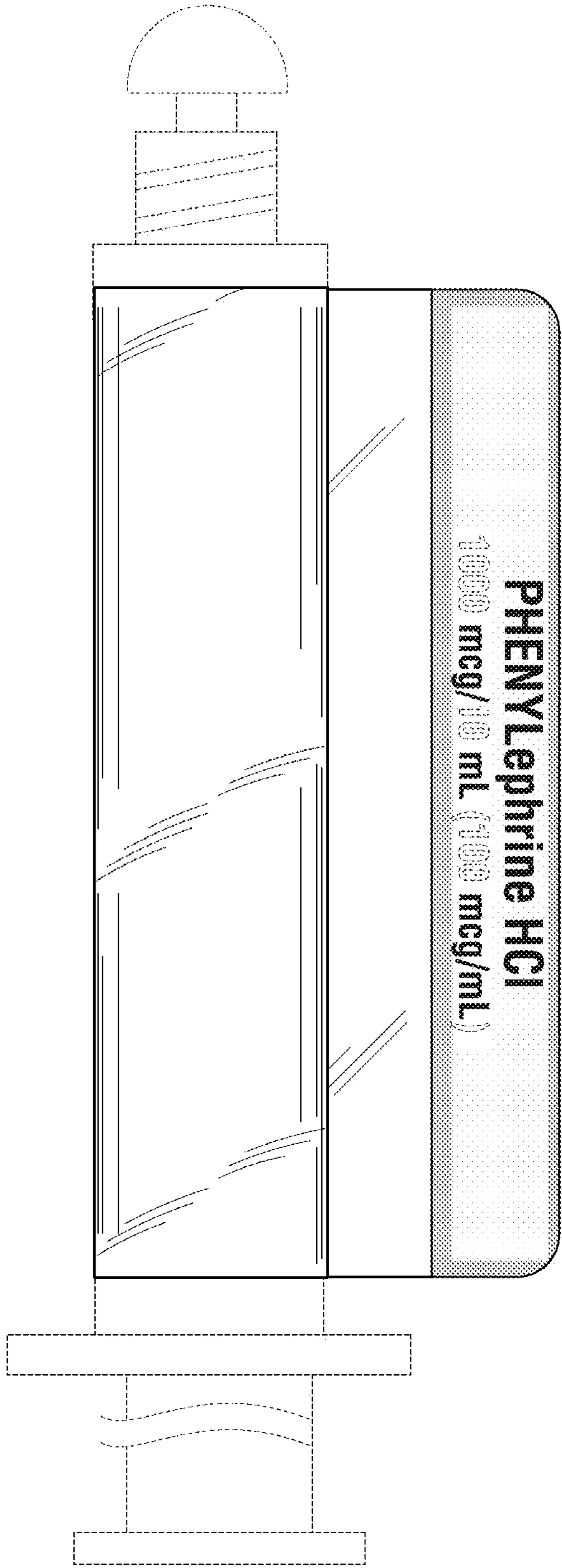


FIG. 98



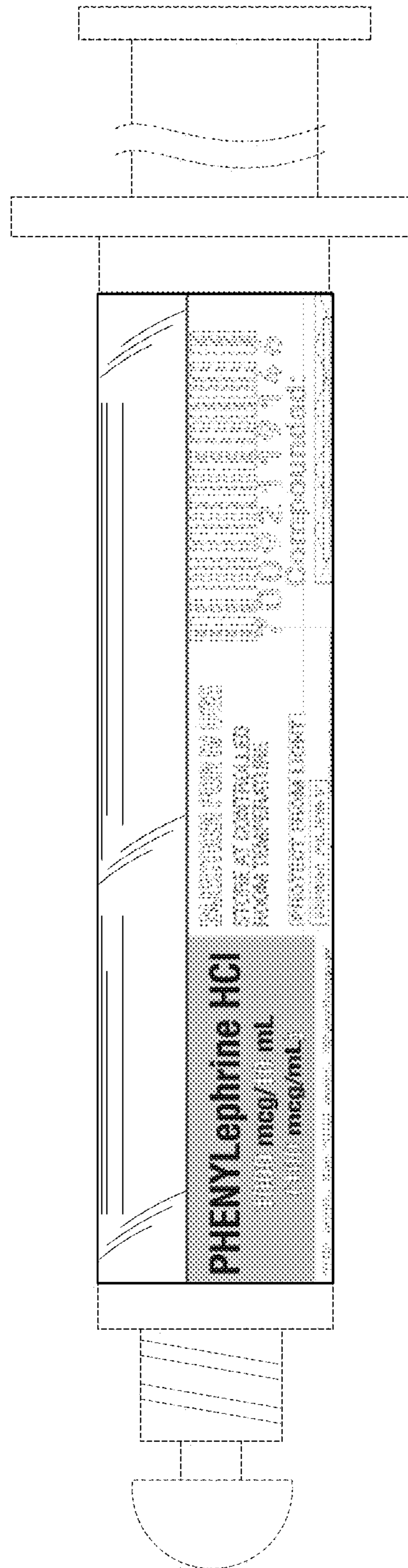
FIG. 99





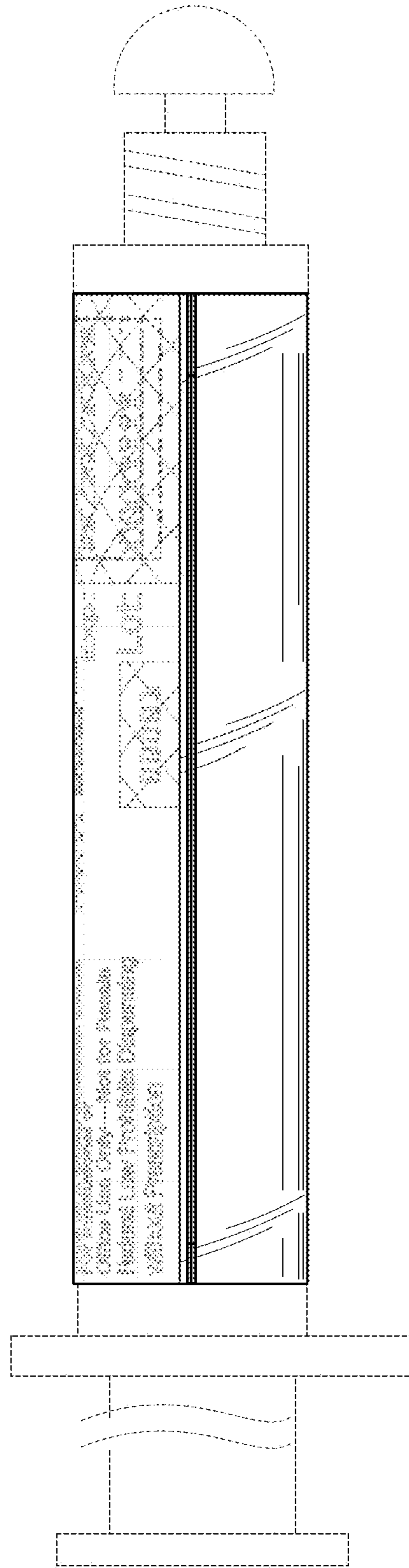
**FIG. 100**

**FIG. 101**

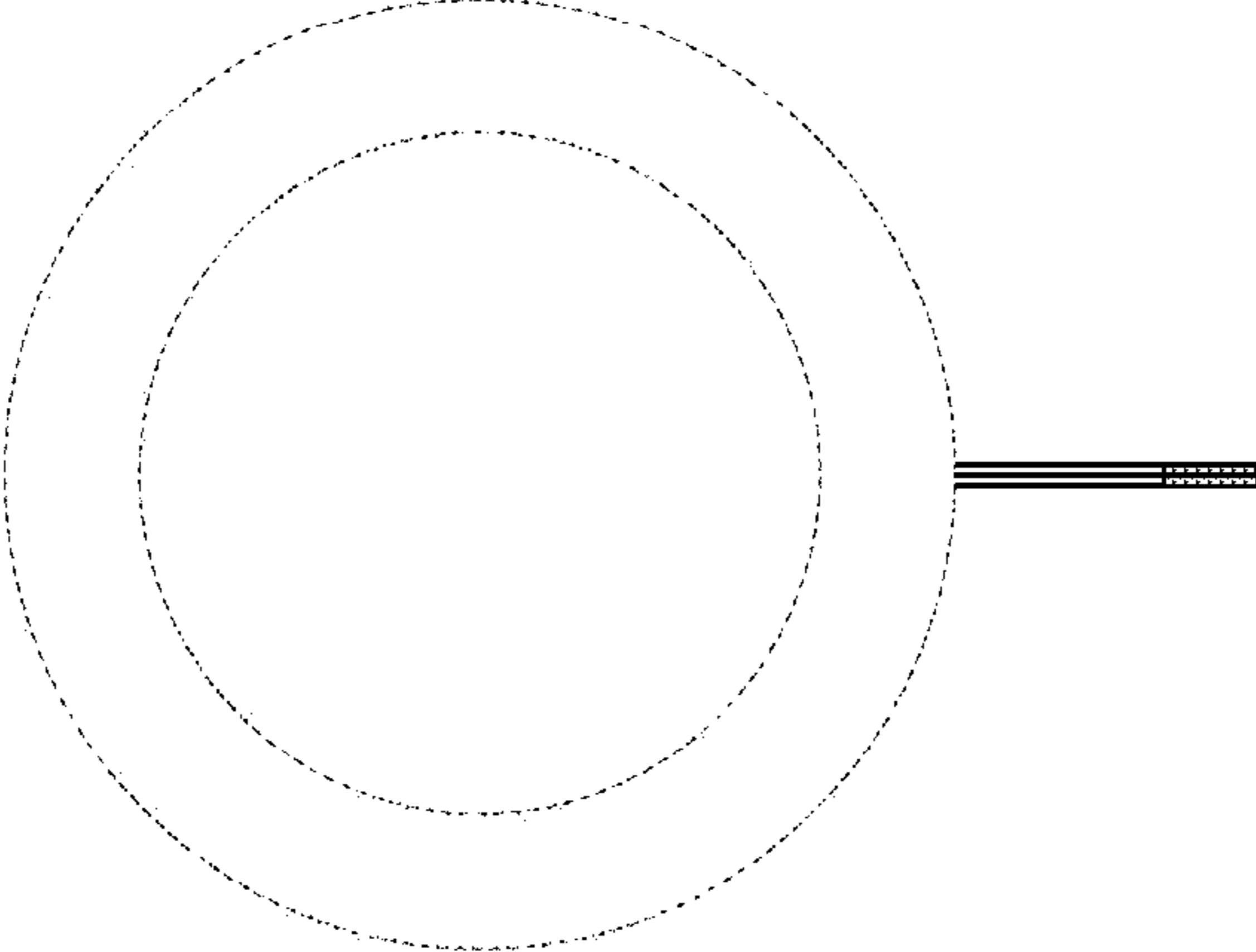




**FIG. 102**



**FIG. 104**



**FIG. 103**

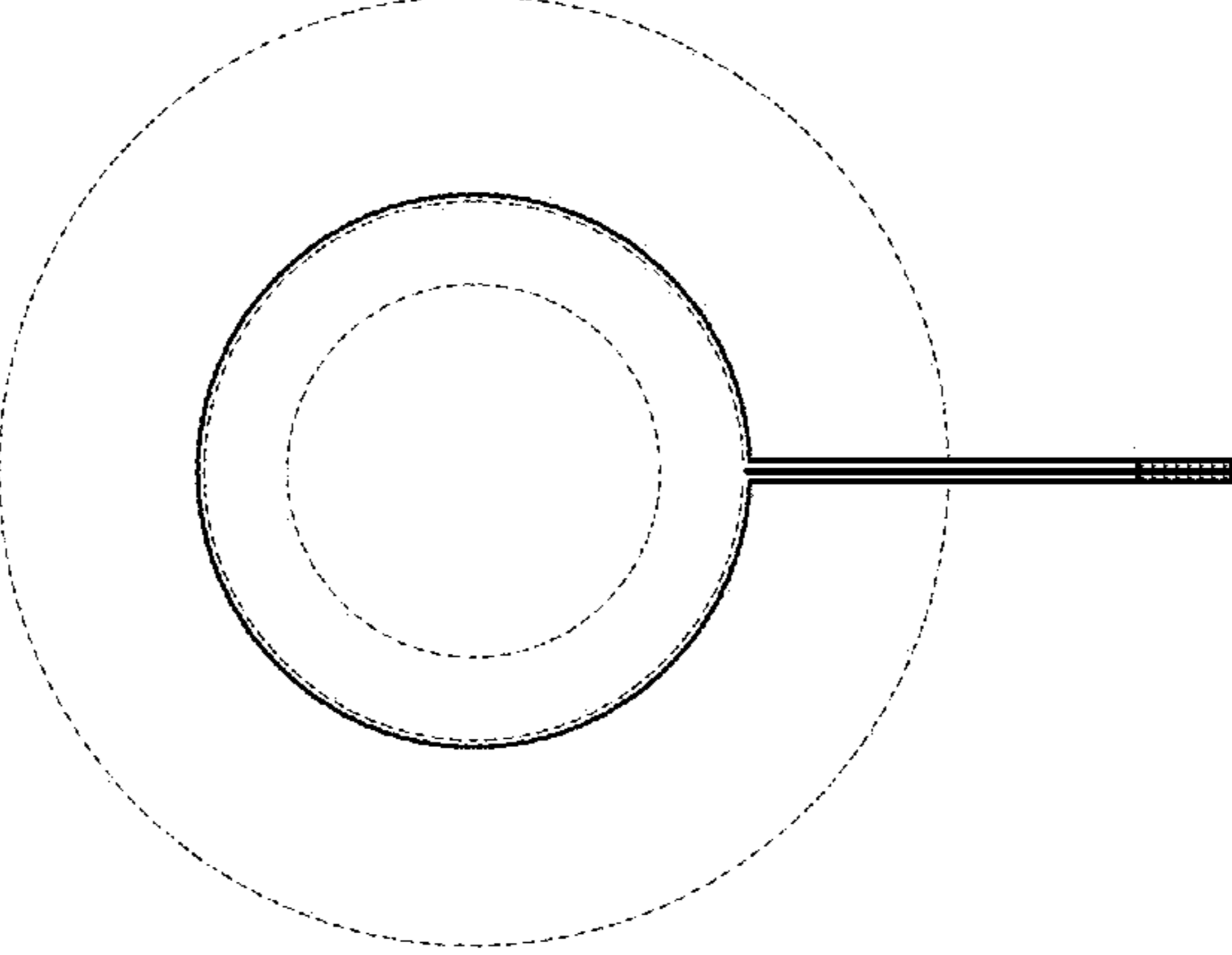


FIG. 105

**Neostigmine Methylsulfate**  
5 mg/5 mL (1 mg/mL)

THIS IS A COMPOUNDED DRUG  
For Institutional or Office Use Only---  
Not for Resale  
Federal Law Prohibits Dispensing  
without Prescription  
To Report SUSPECTED ADVERSE REACTIONS,  
contact QuVa Pharma at 877-232-0190, or FDA  
at [www.FDA.gov/medwatch](http://www.FDA.gov/medwatch) or 1-800-FDA-1088.

INJECTION FOR IV USE  
STORE AT CONTROLLED  
ROOM TEMPERATURE  
PROTECT FROM LIGHT

**Neostigmine Methylsulfate**  
5 mg/5 mL (1 mg/mL)

5 mL in 5 mL Syringe

QuVa Pharma  
1675 West Park One Drive,  
Suite 100  
Sugar Land, TX 77478  
888-839-0874

70092118944  
Compounded:

Exp:

Lot:

**Neostigmine Methylsulfate**  
5 mg/5 mL (1 mg/mL)



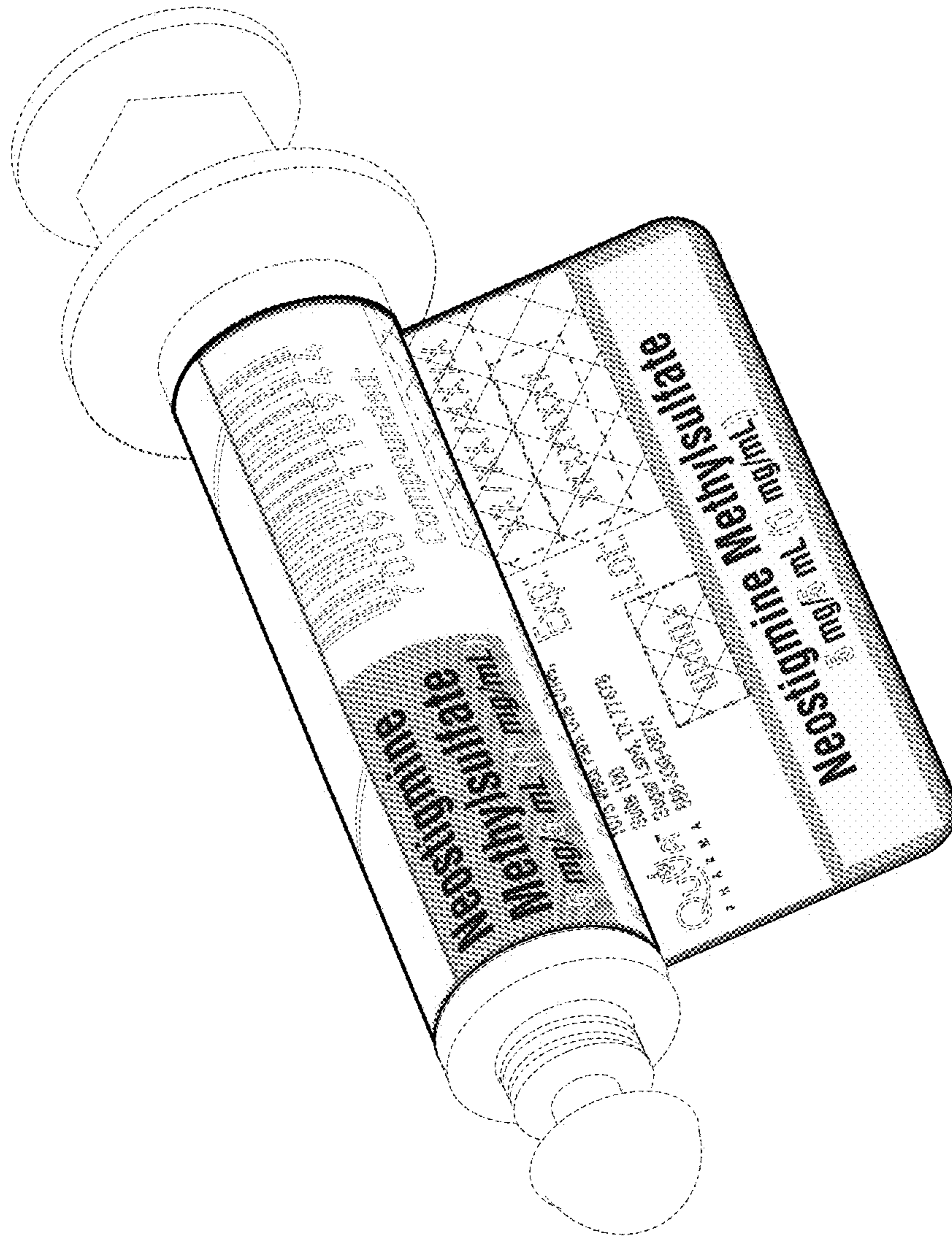
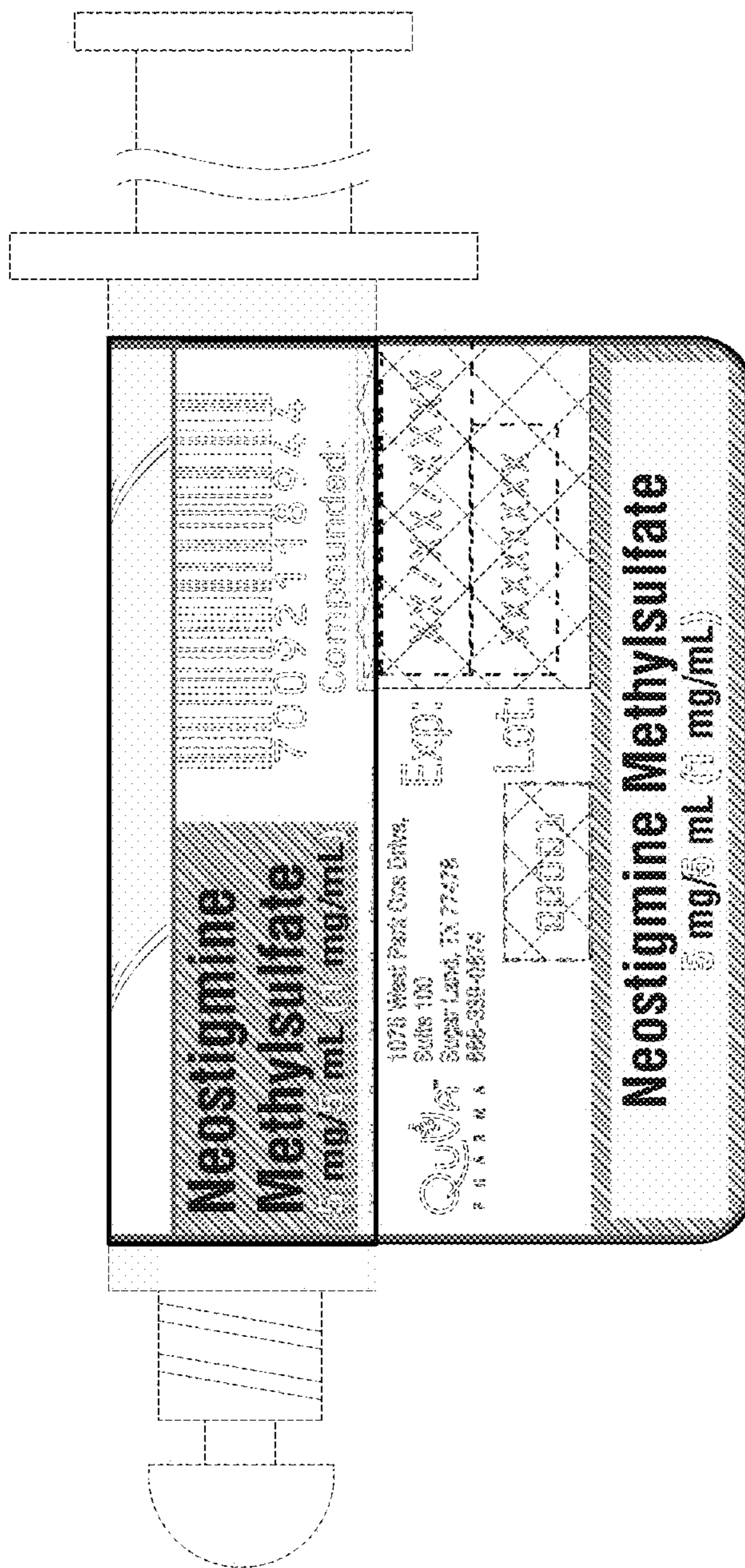


FIG. 106

FIG. 107



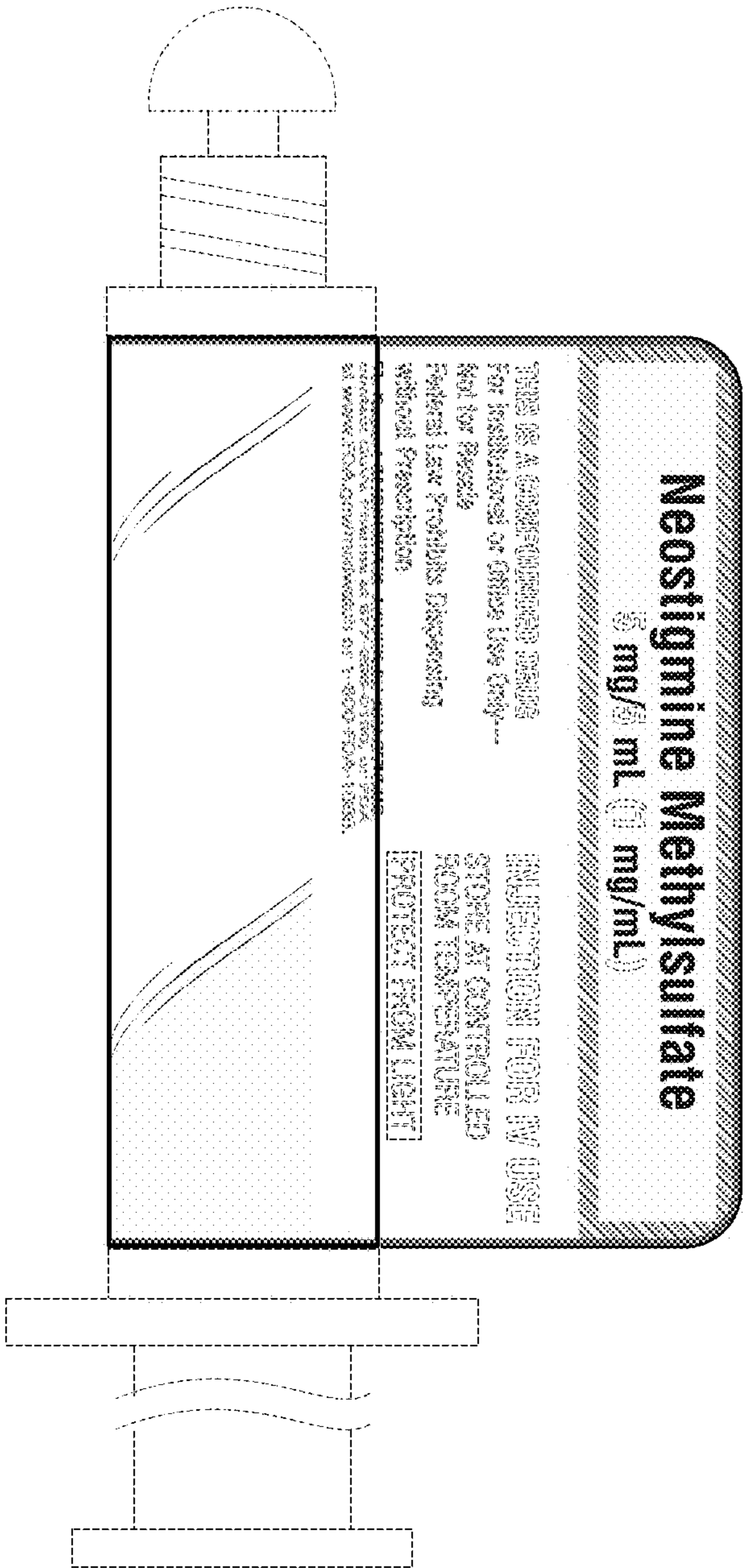
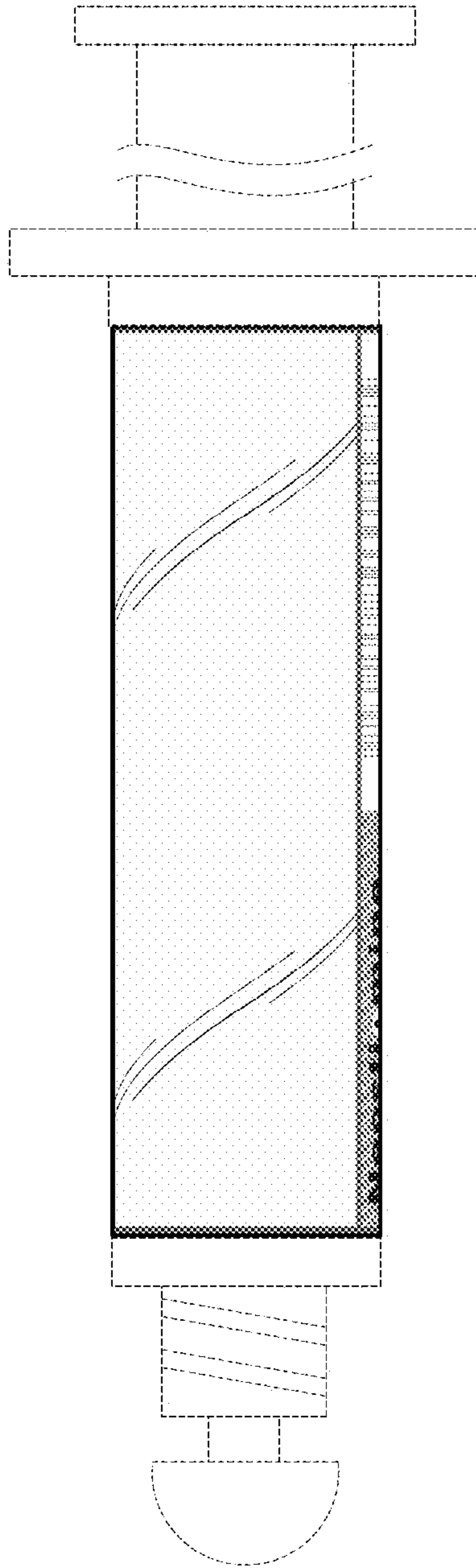


FIG. 108





**FIG. 109**

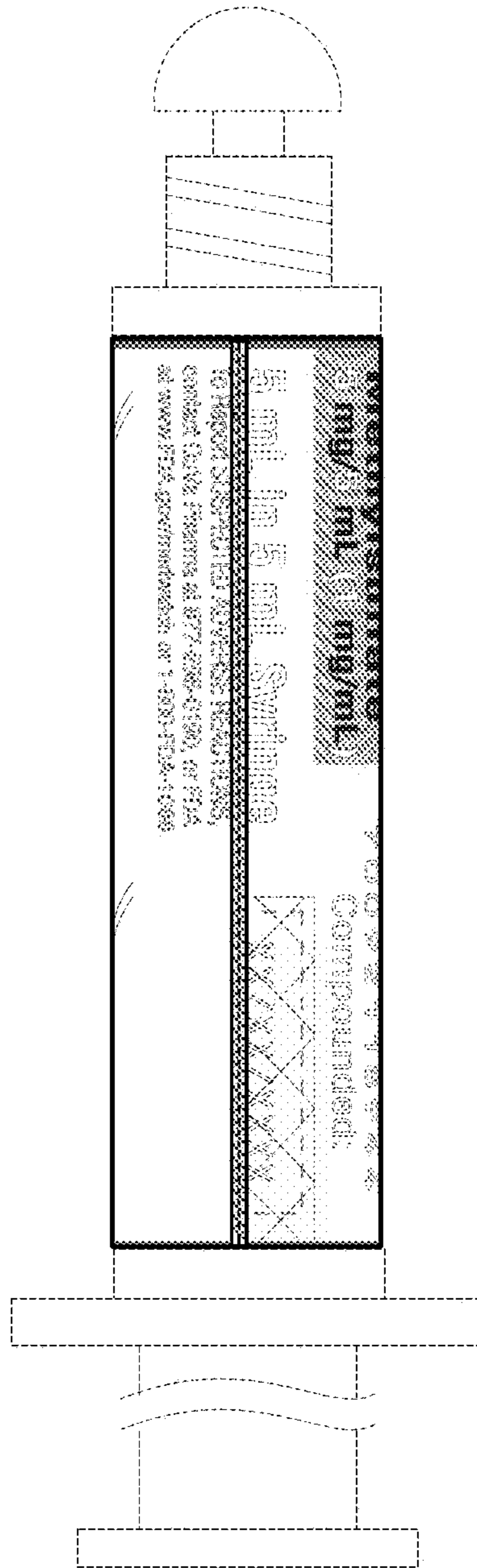
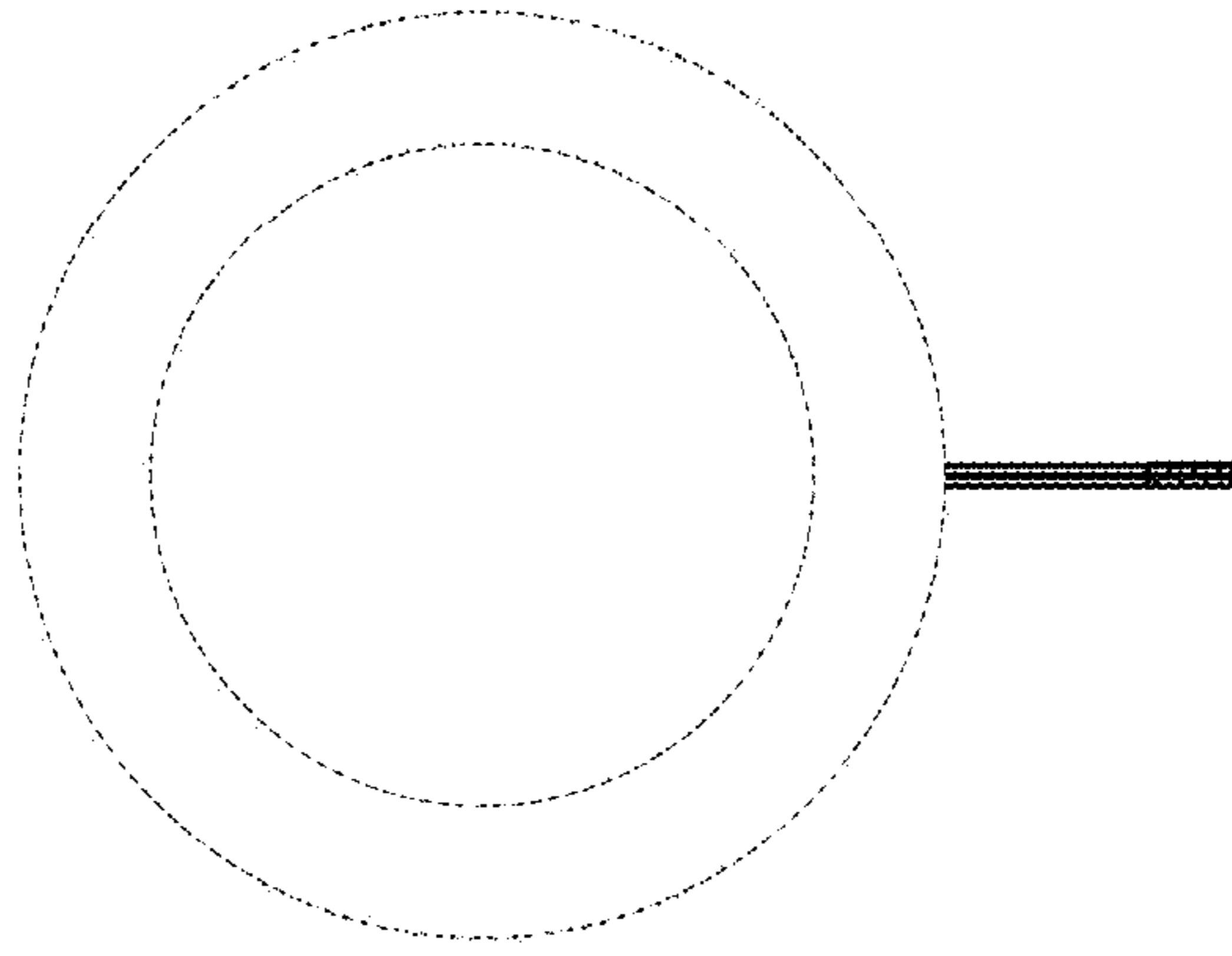


FIG. 110

**FIG. 112**



**FIG. 111**

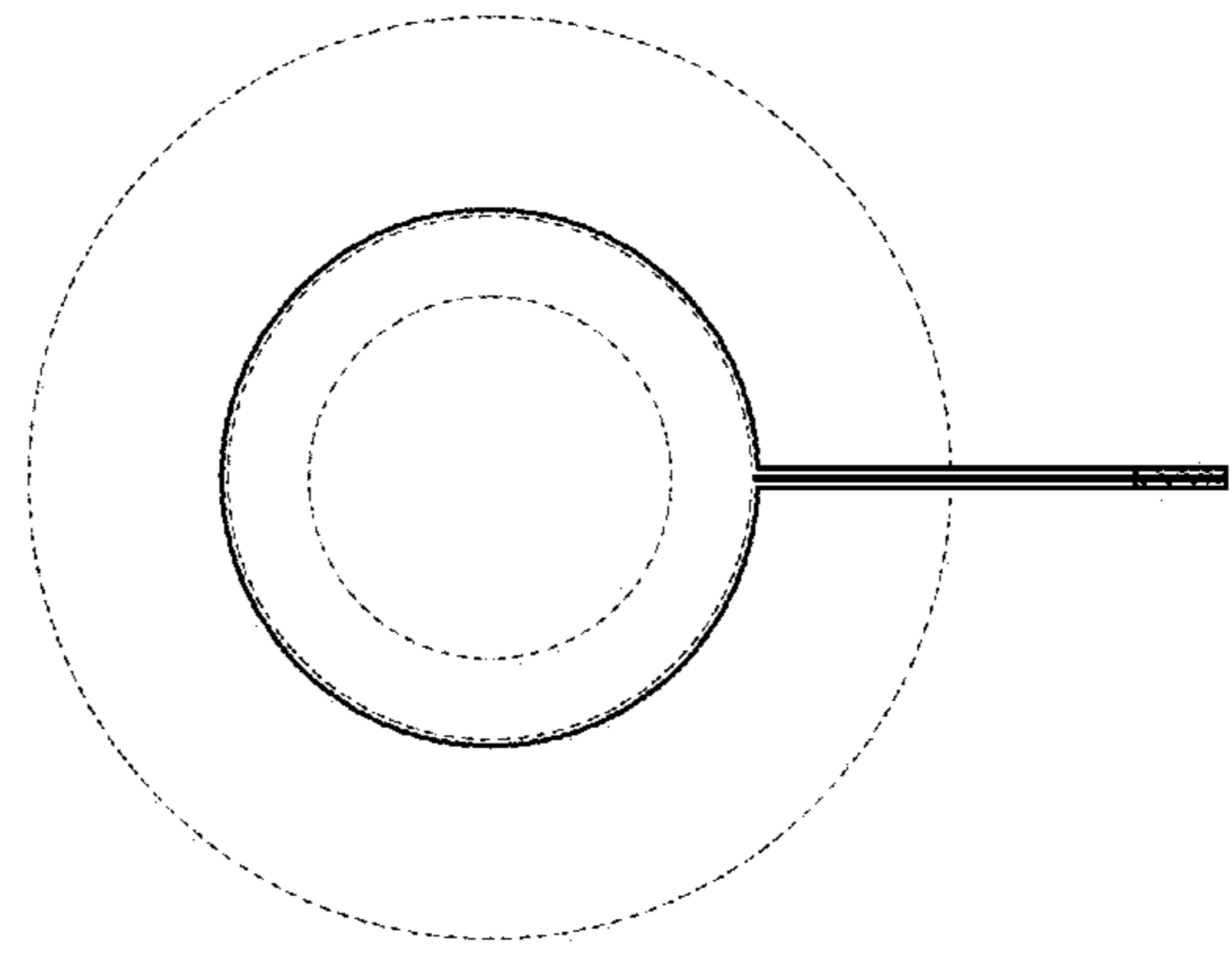
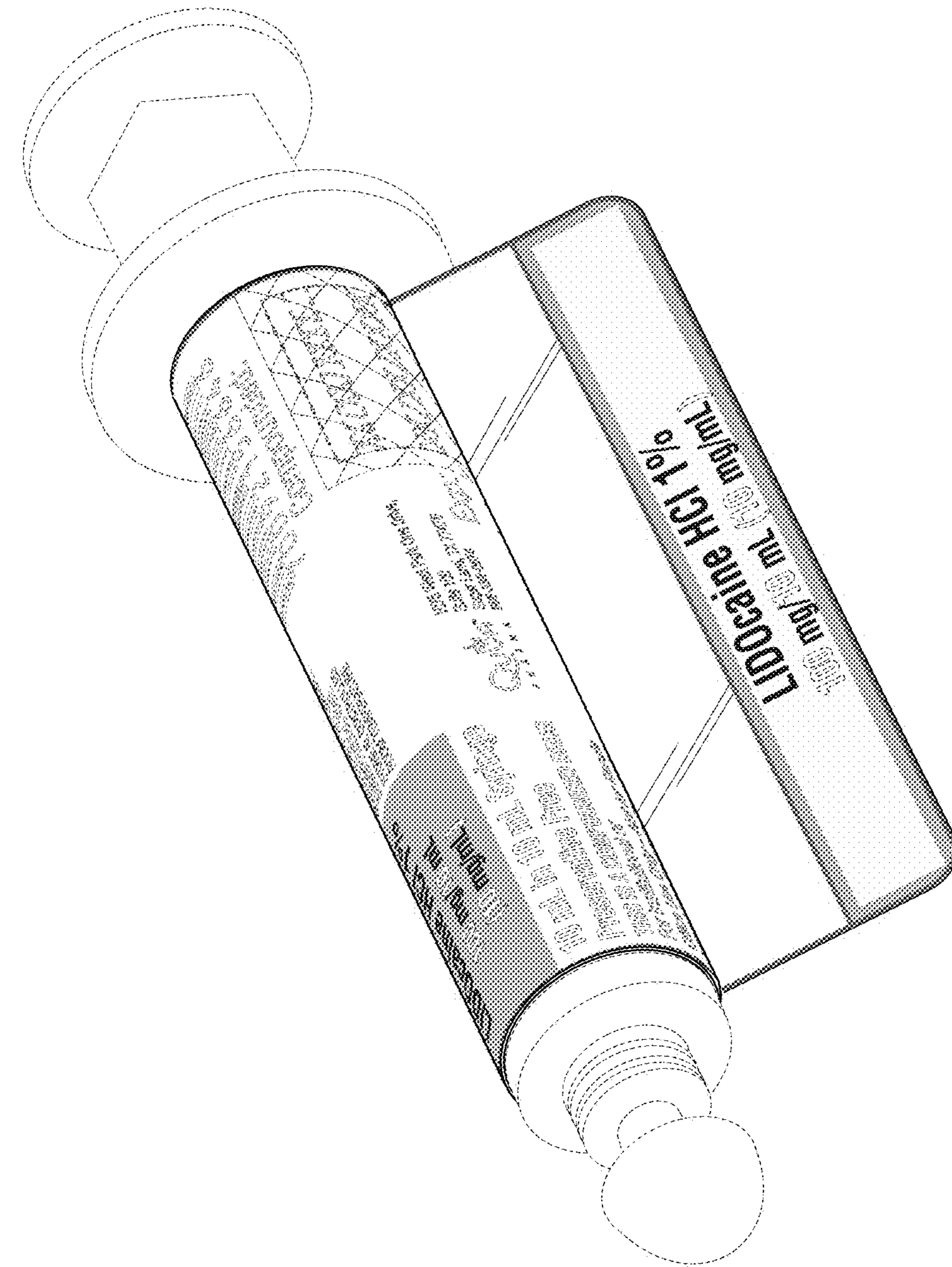




FIG. 113

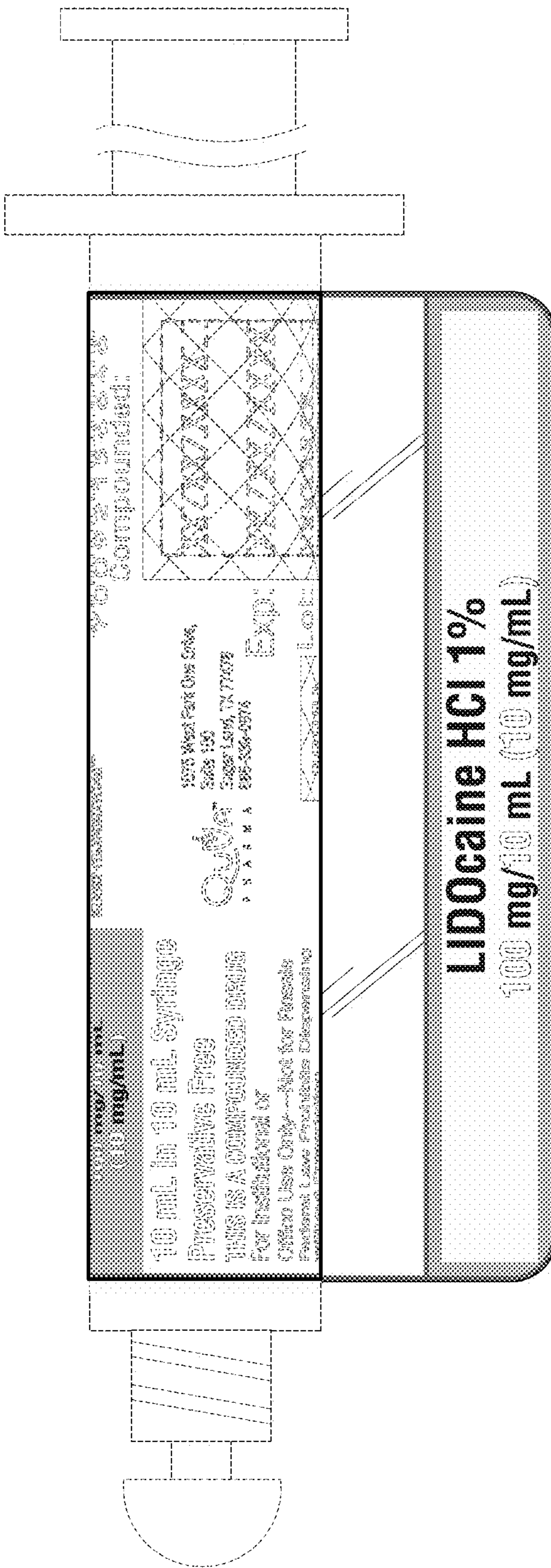




**FIG. 114**



FIG. 115



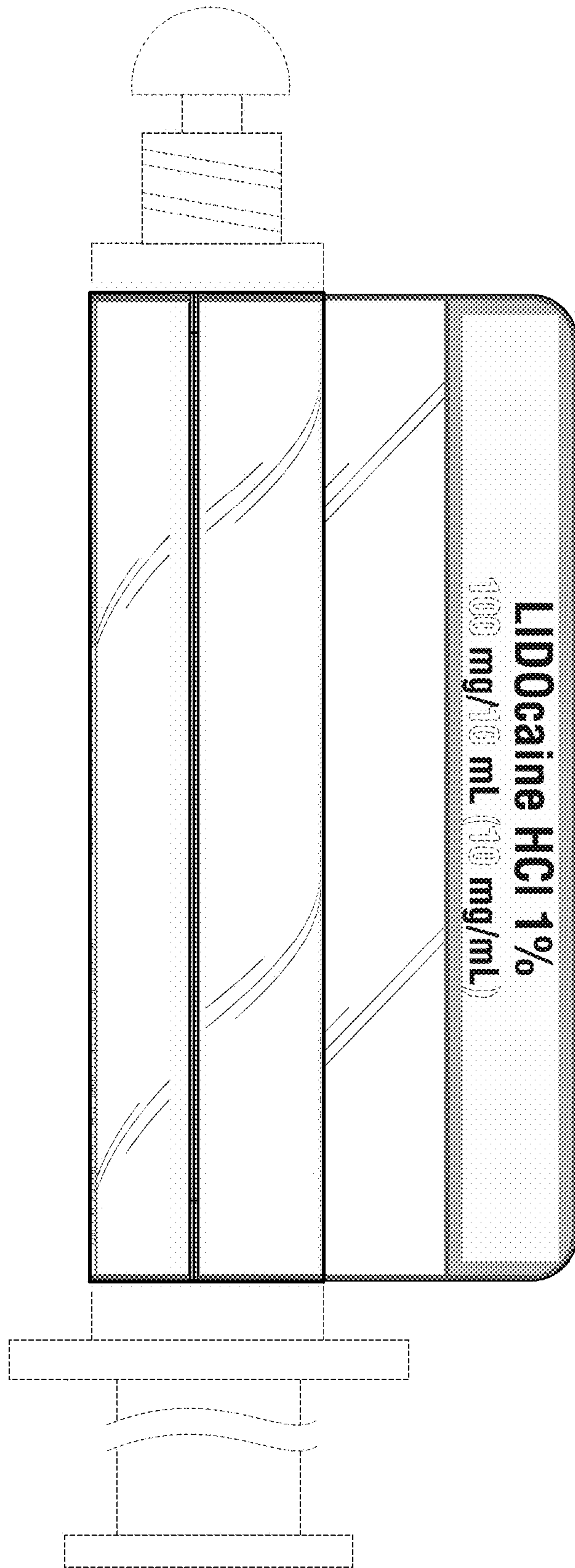
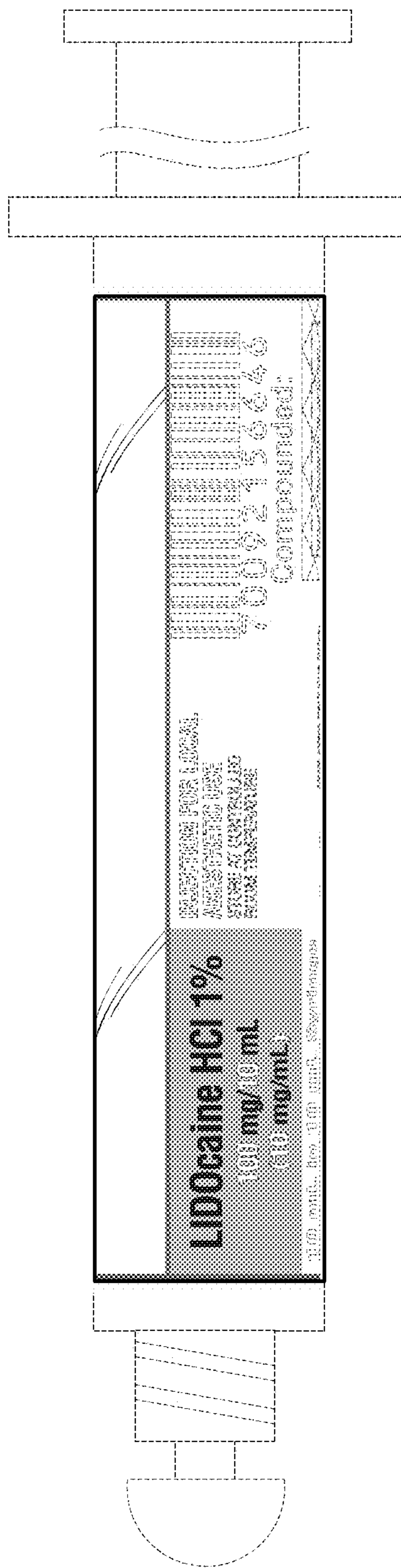


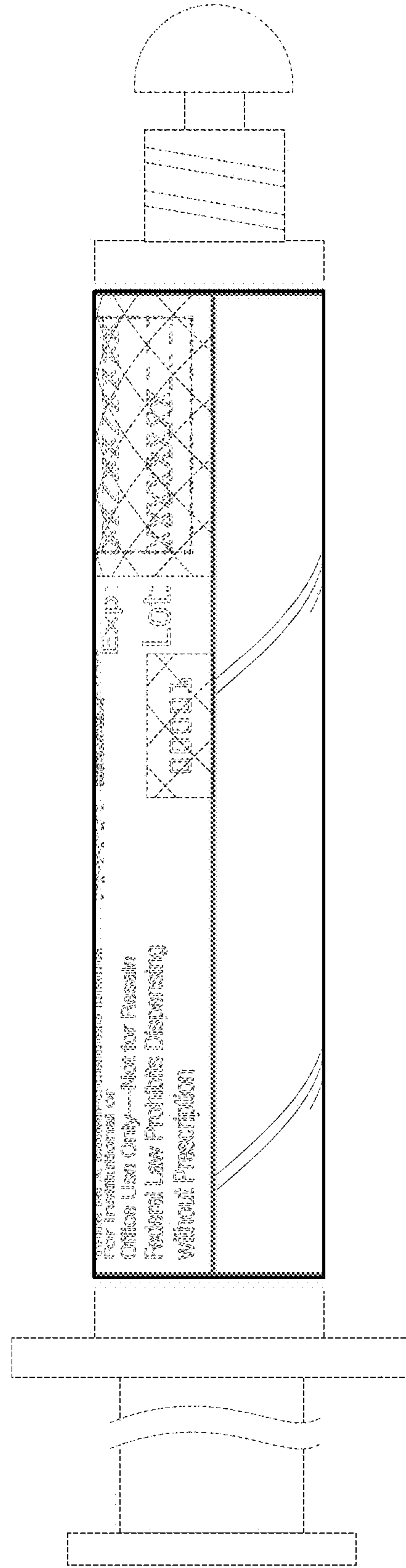
FIG. 116



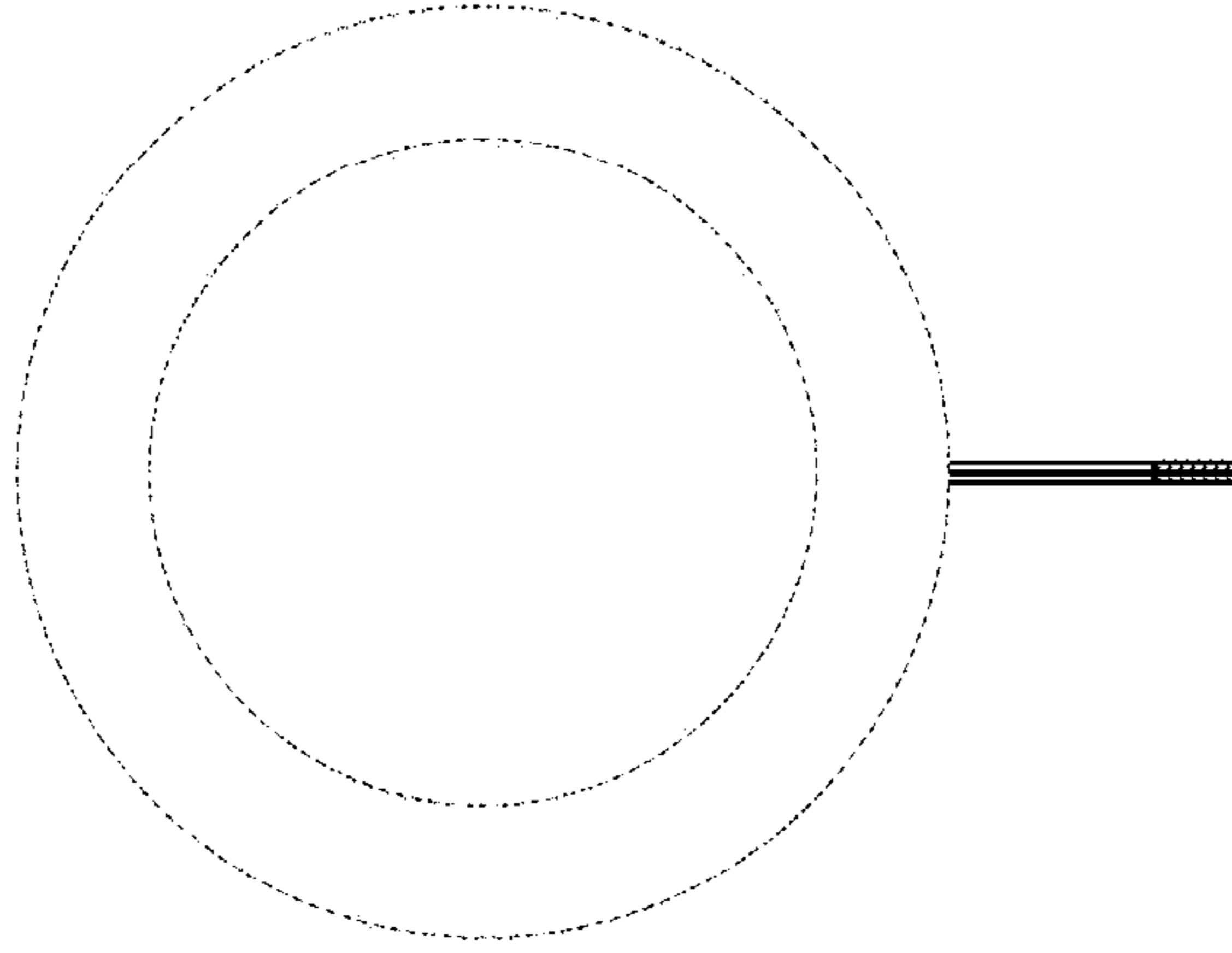
FIG. 117



**FIG. 118**



**FIG. 120**



**FIG. 119**

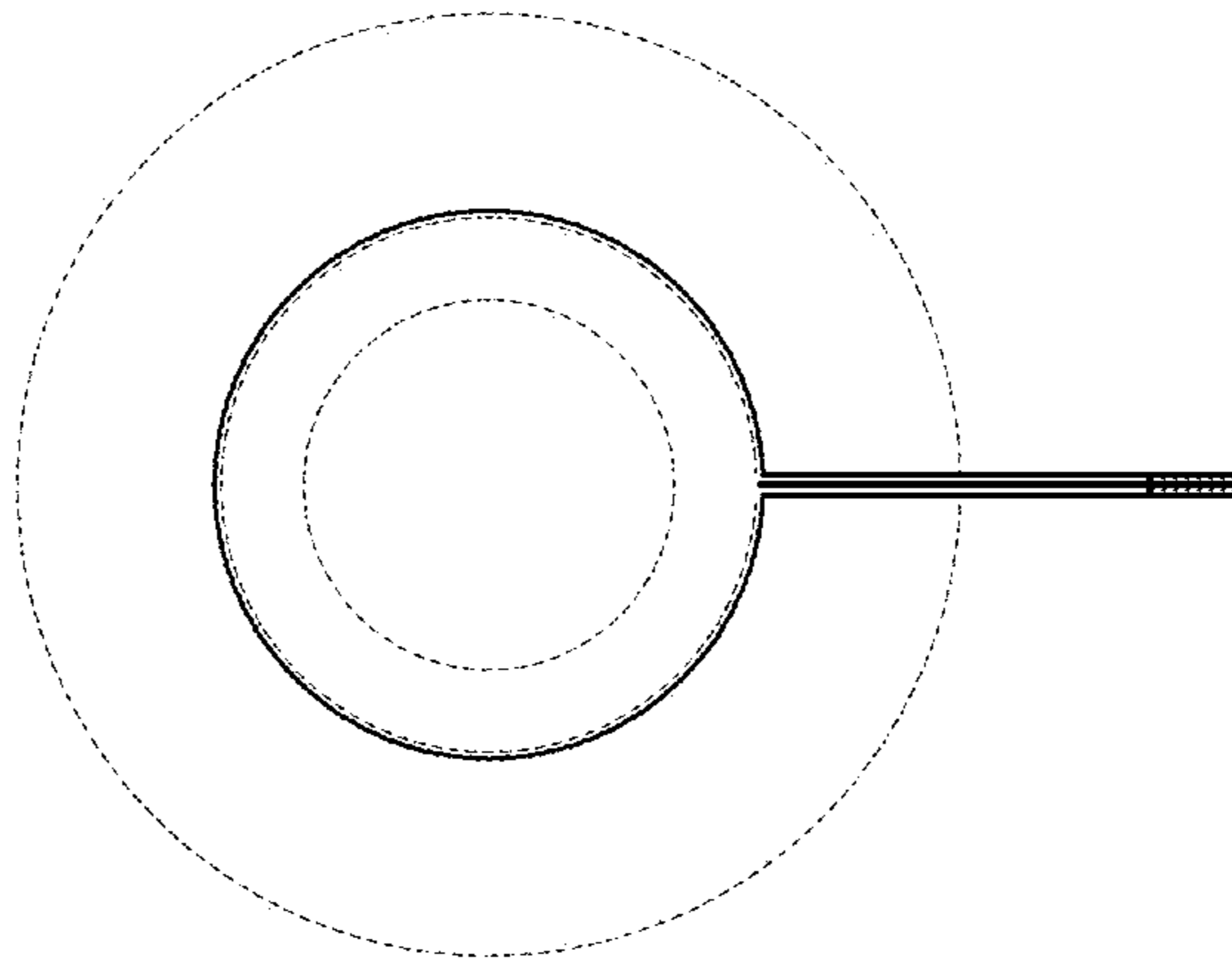


FIG. 121

**Ketamine HCl**  
50 mg/5 mL (10 mg/mL)

THIS IS A COMPOUNDED DRUG  
For Institutional or Office Use Only---  
Not for Resale  
Federal Law Prohibits Dispensing  
without Prescription  
To Report SUSPECTED ADVERSE REACTIONS,  
contact QuVa Pharma at 877-296-0190, or FDA  
at [www.FDA.gov/medwatch](http://www.FDA.gov/medwatch) or 1-800-FDA-1088.

INJECTION FOR IV USE  
STORE AT CONTROLLED  
ROOM TEMPERATURE

**Ketamine HCl**  
50 mg/5 mL  
(10 mg/mL)

in 0.9% Sodium Chloride  
5 mL in 5 mL Syringe

QuVa  
PHARMA  
1075 West Park One Drive,  
Suite 100  
Sugar Land, TX 77478  
281-330-0674

Exp:

Lot:

70092111944

cm Compounded:

**Ketamine HCl**  
50 mg/5 mL (10 mg/mL)



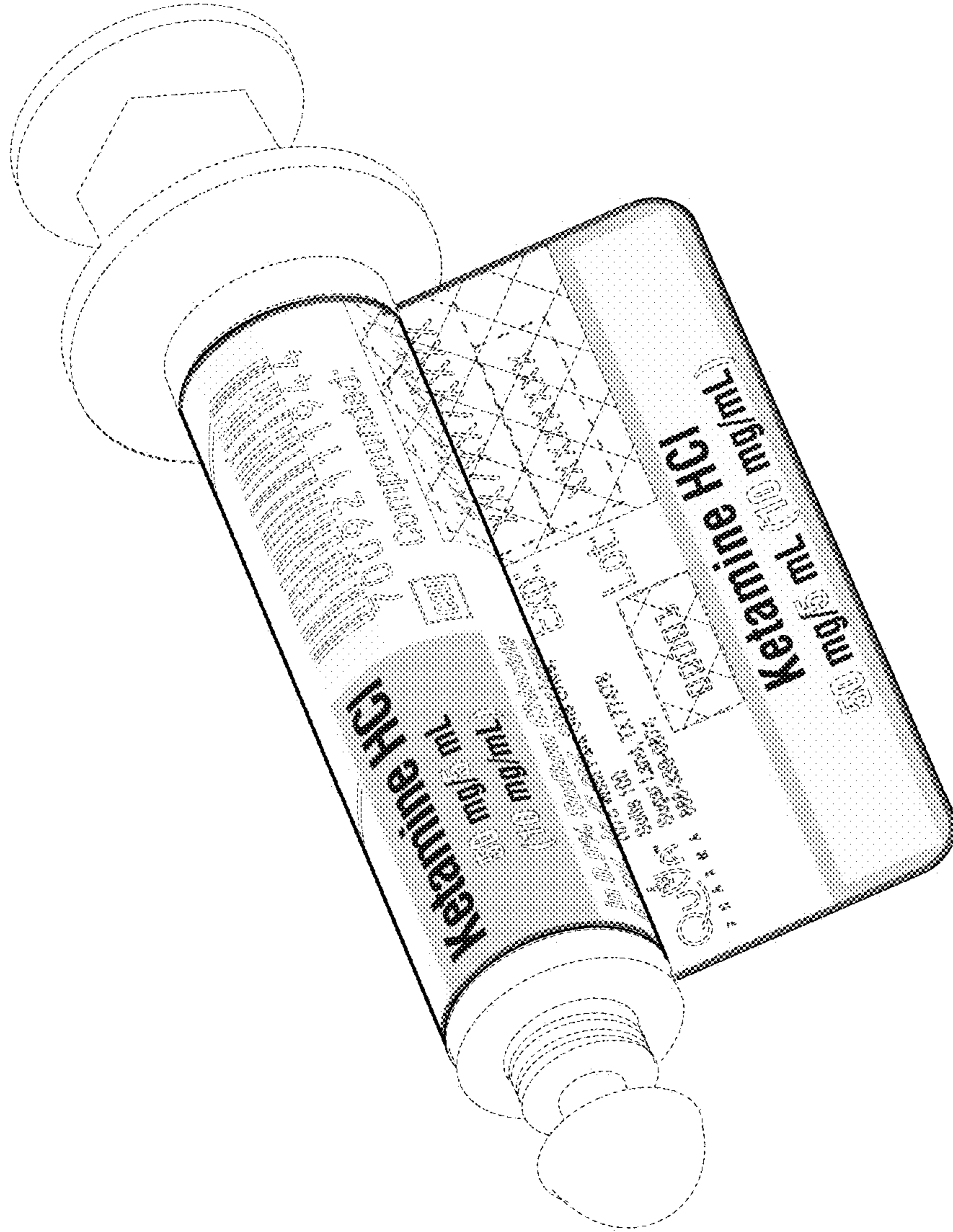
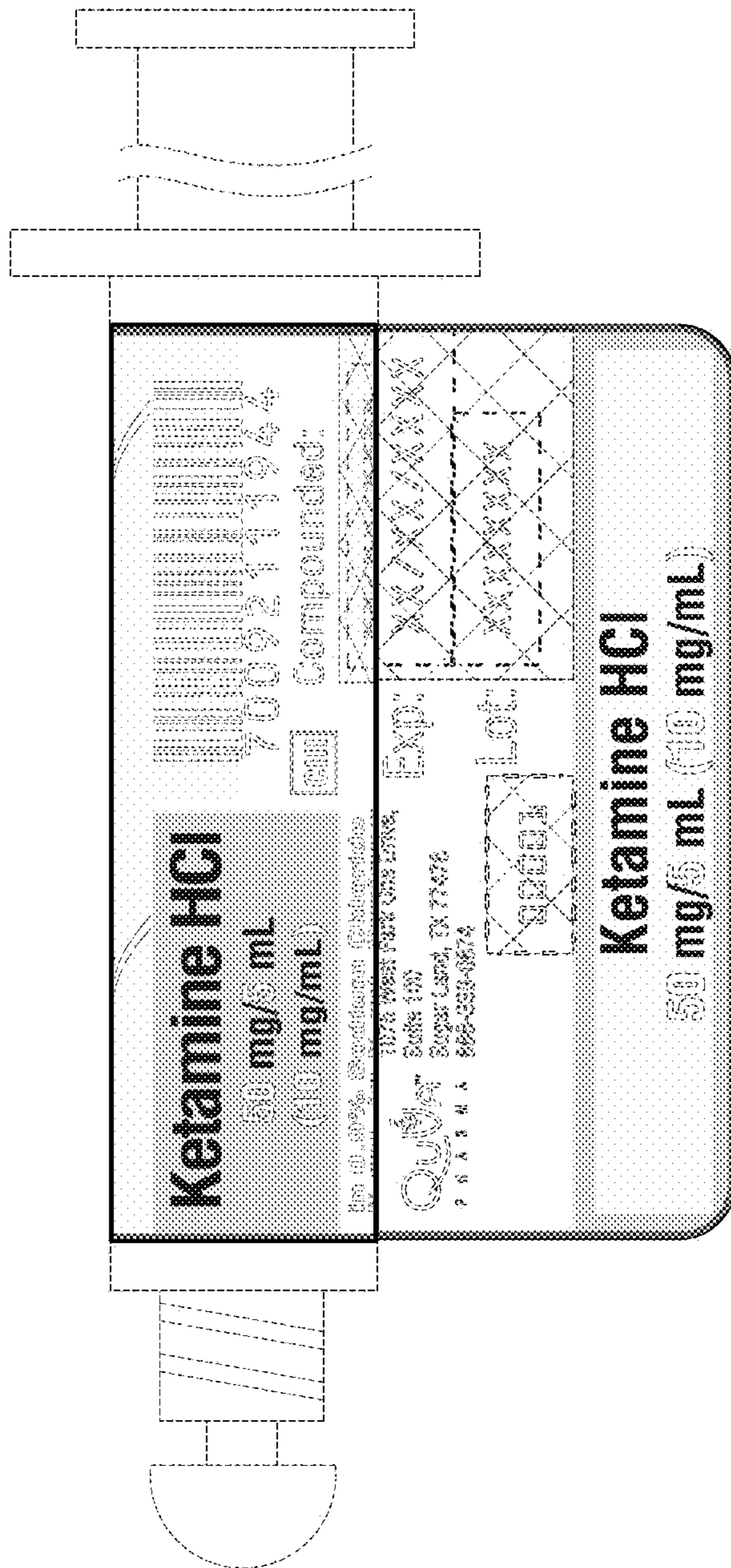
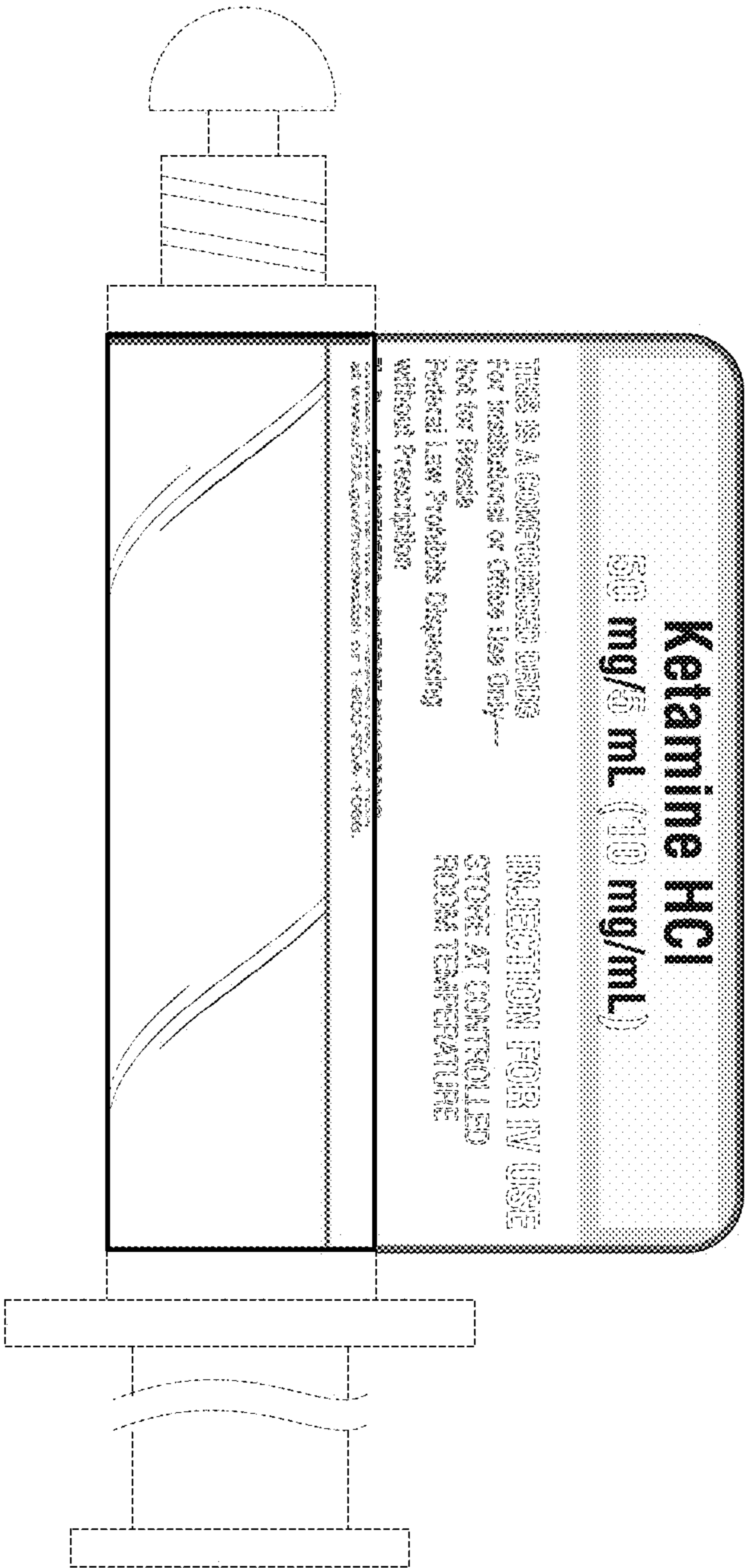


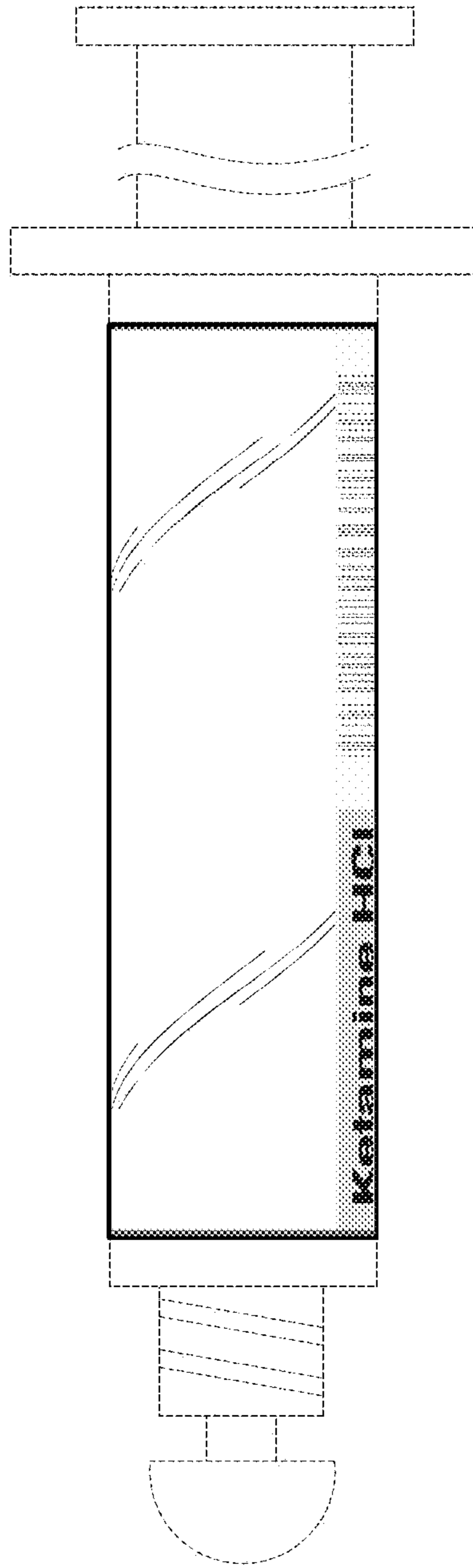
FIG. 122

FIG. 123





**FIG. 124**

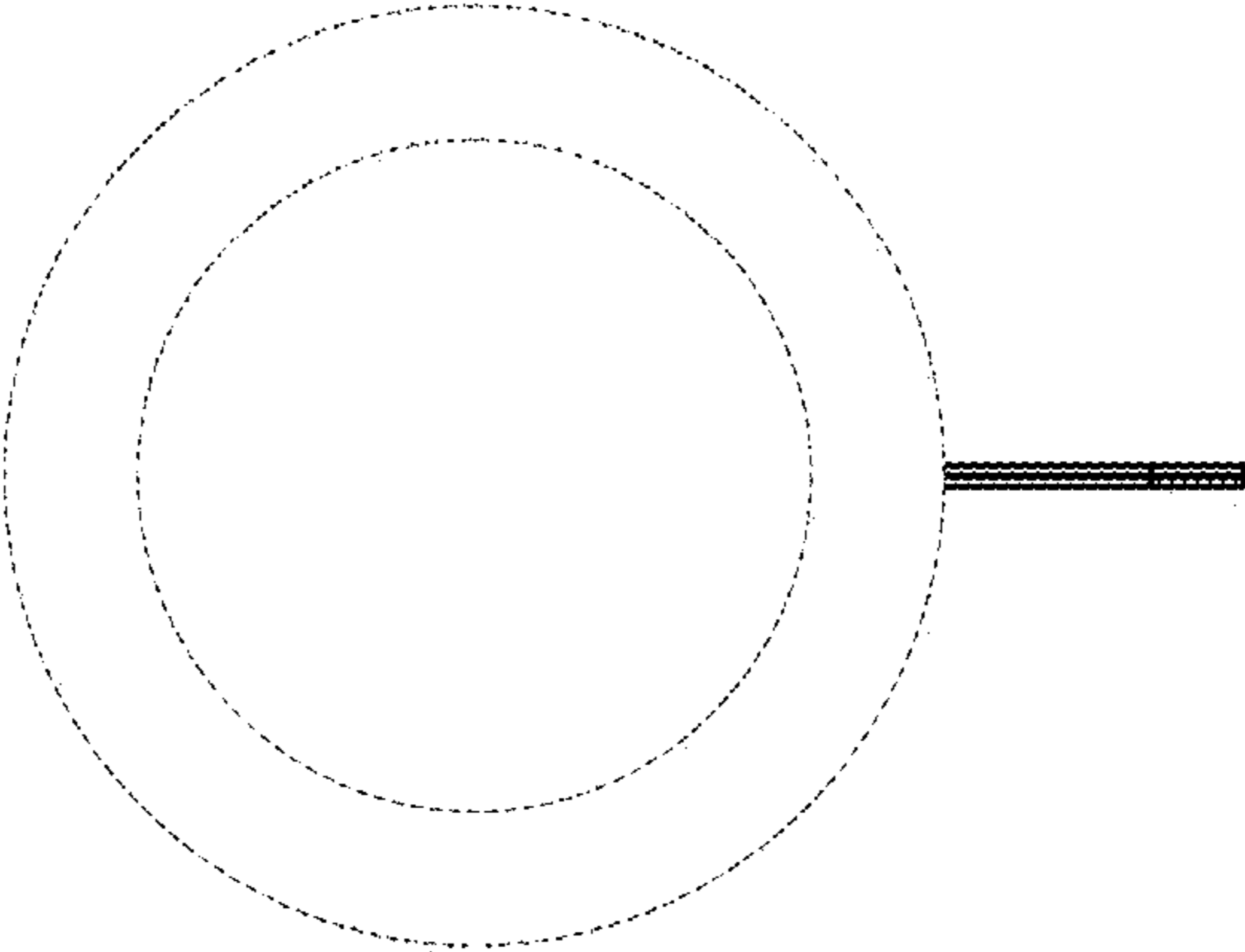


**FIG. 125**





**FIG. 128**



**FIG. 127**

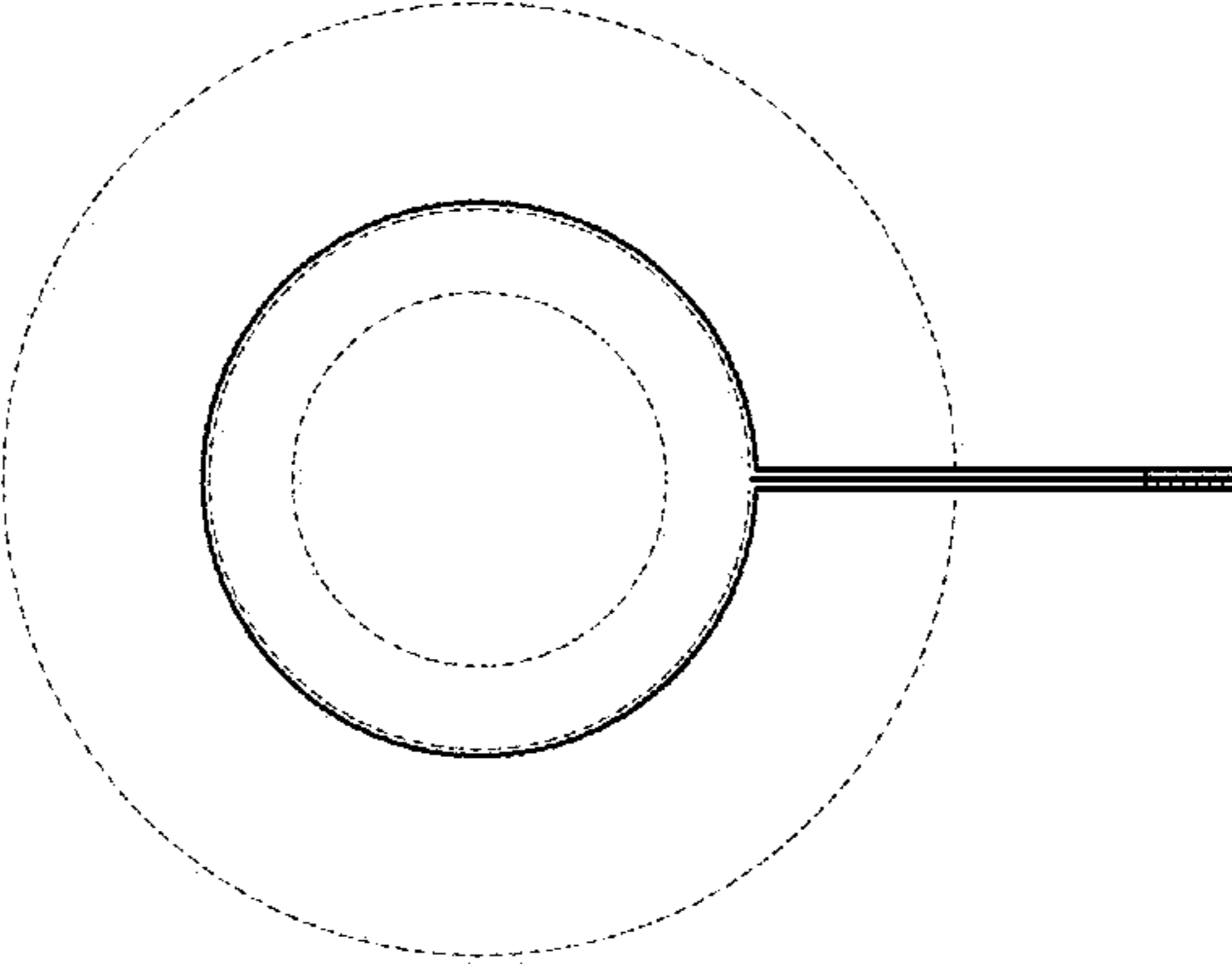
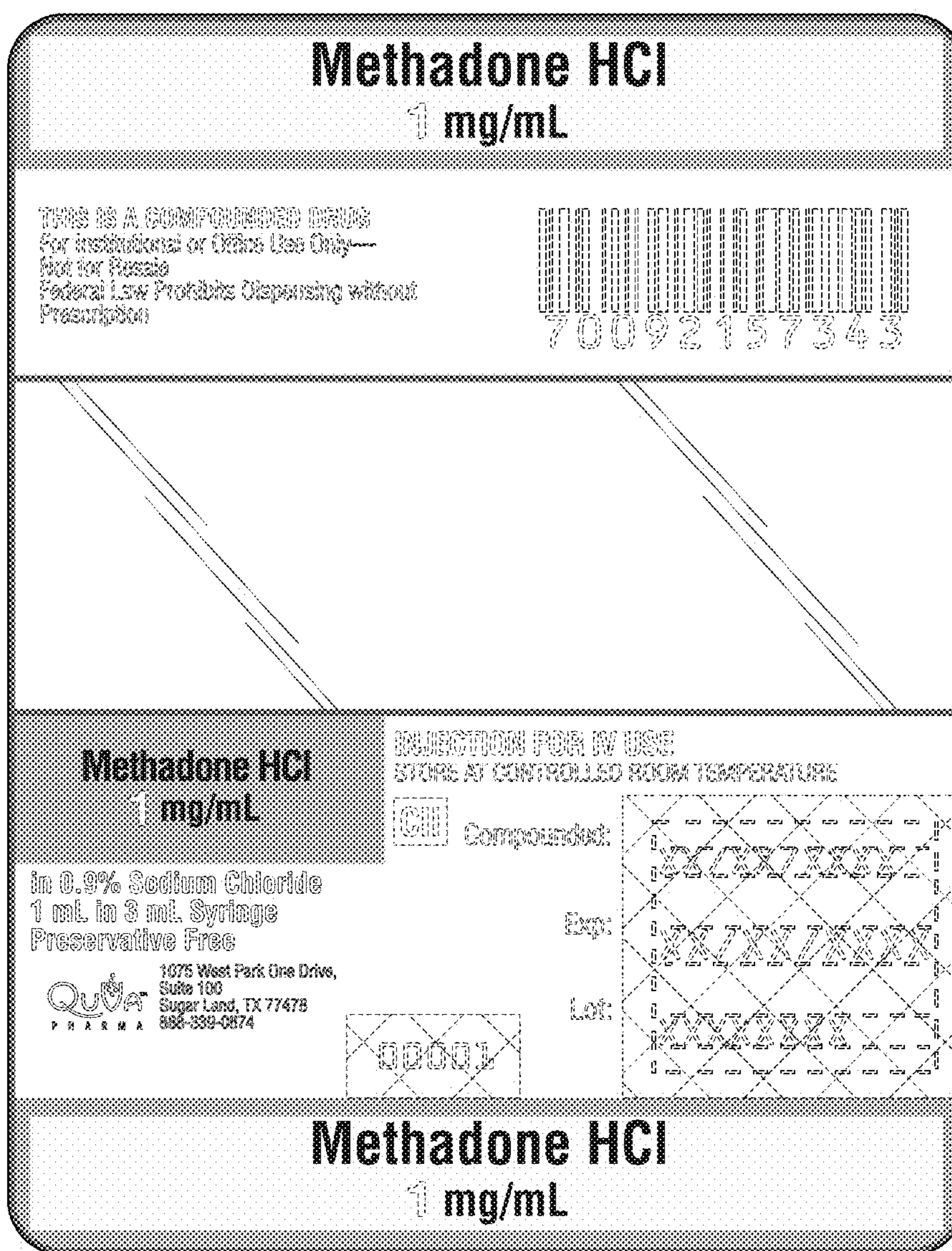


FIG. 129



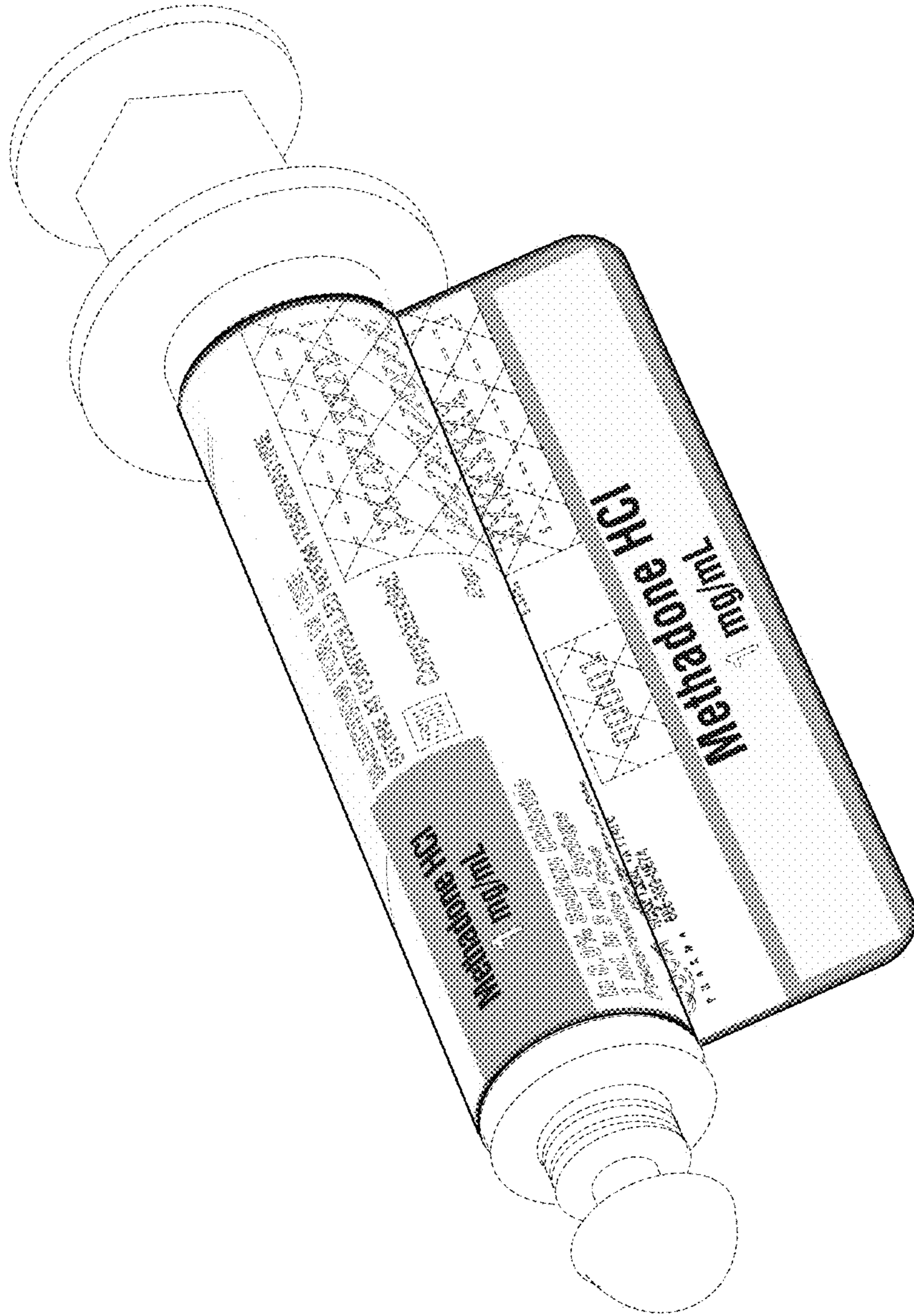
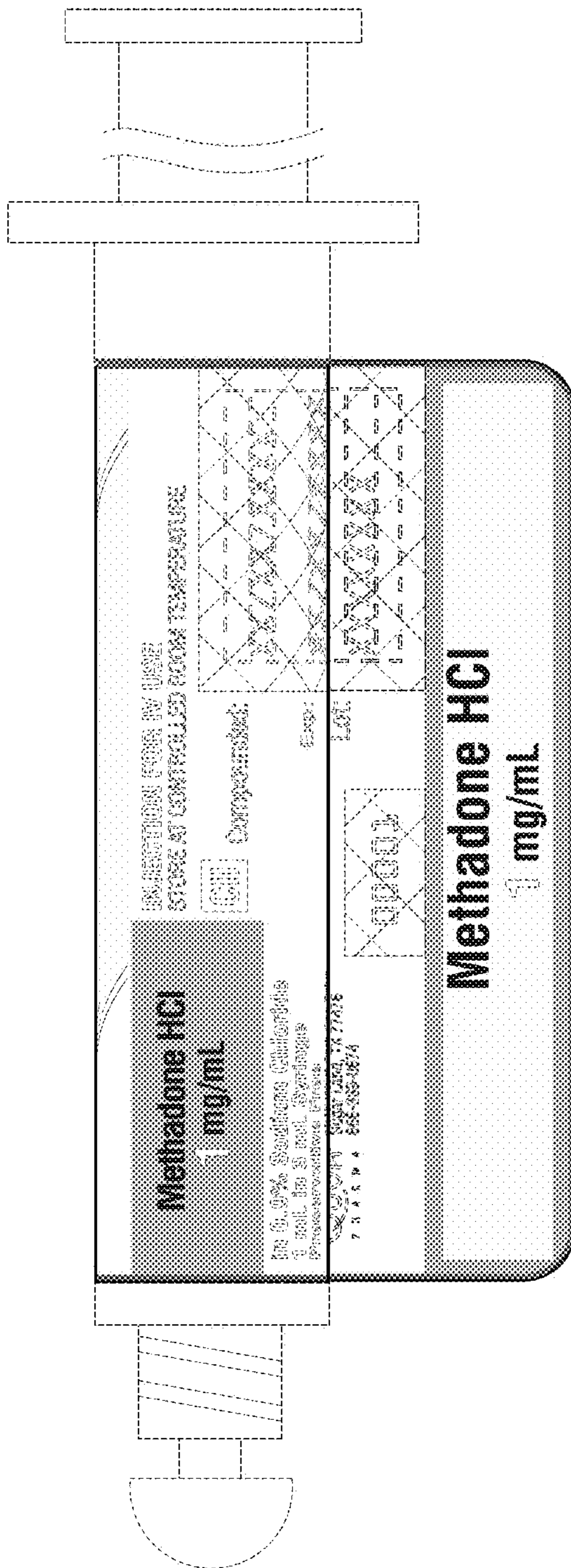


FIG. 130



FIG. 131



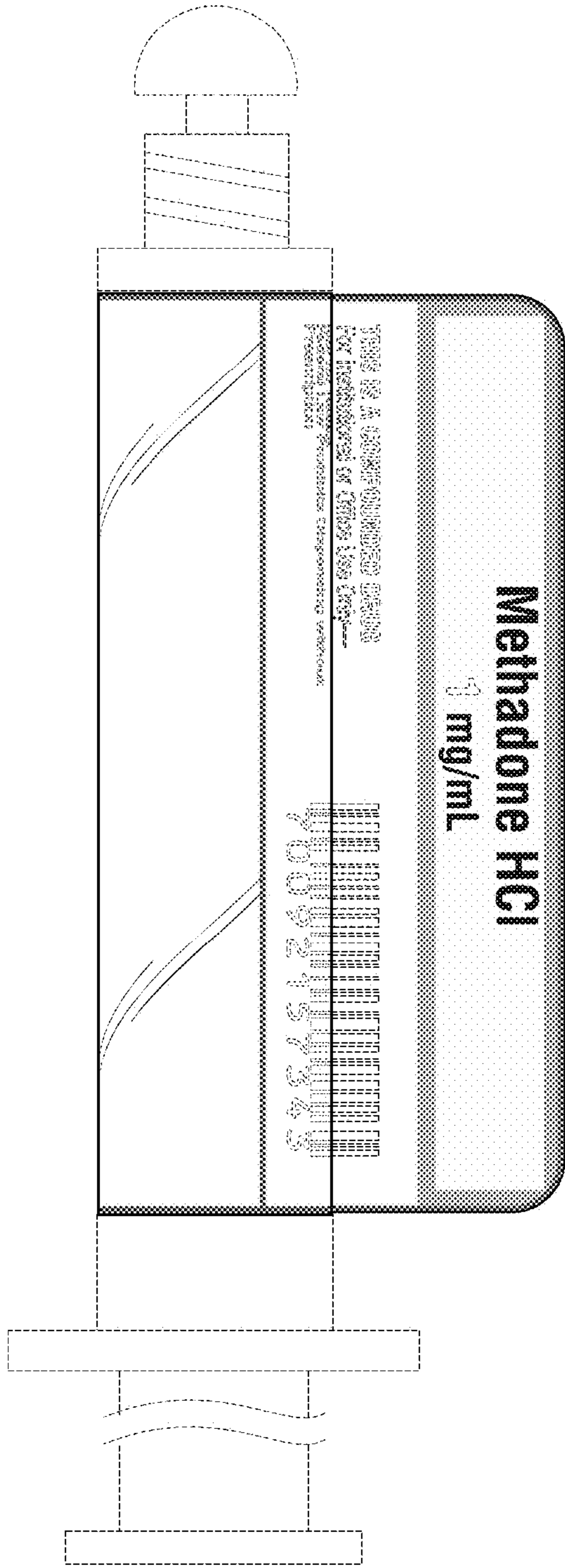


FIG. 132

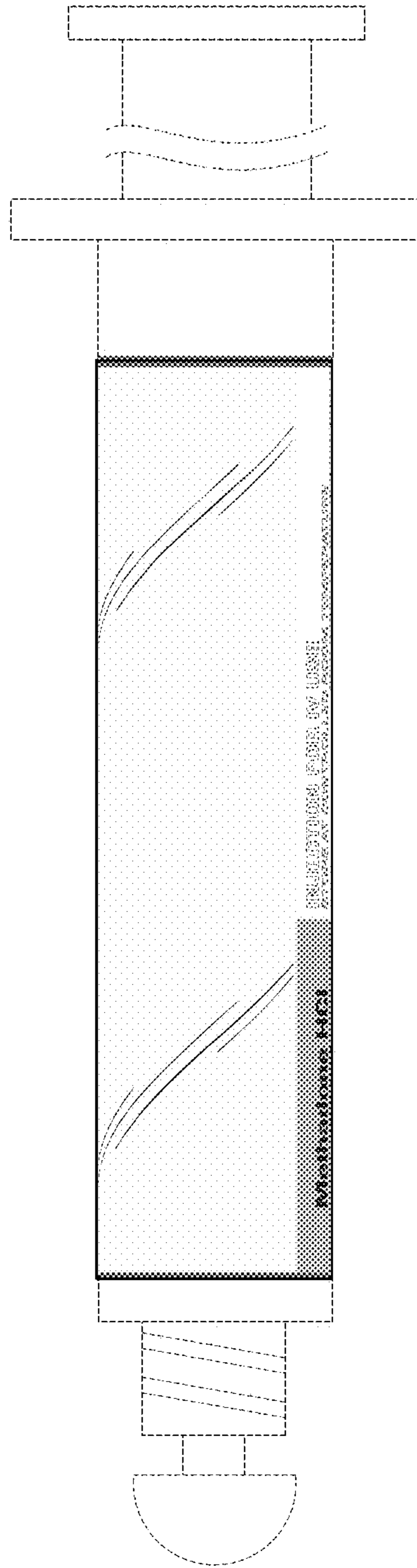
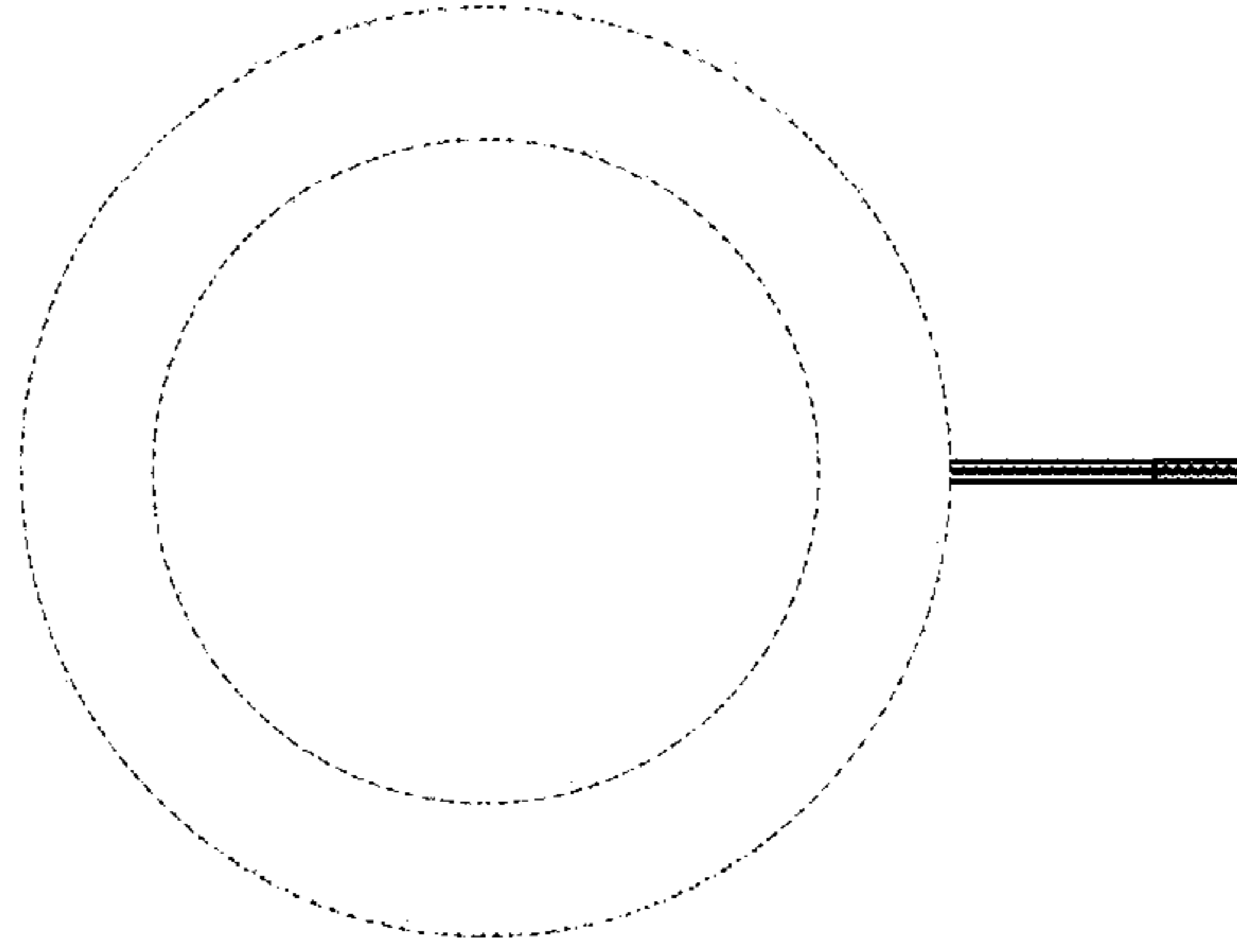


FIG. 133

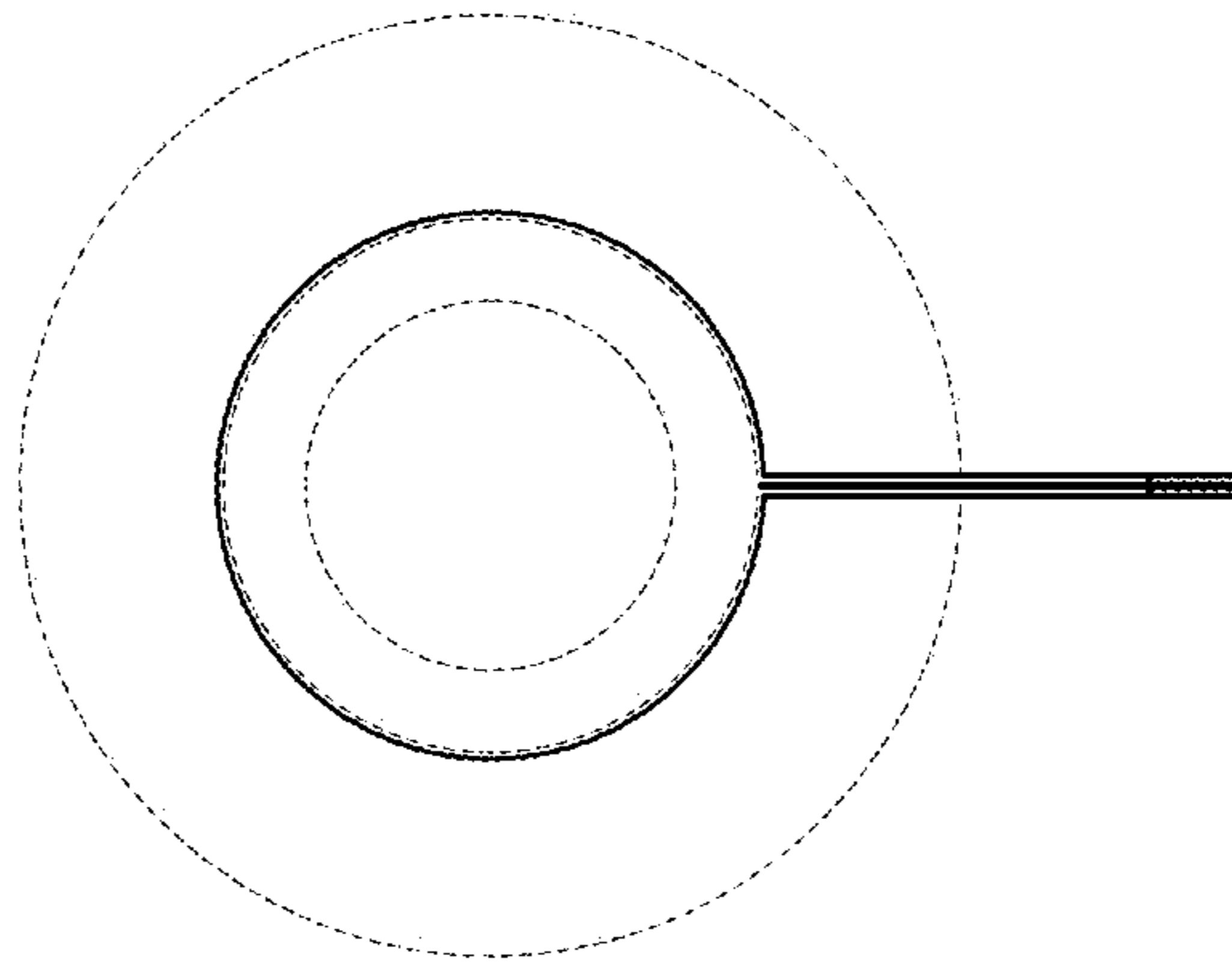




**FIG. 136**



**FIG. 135**



UNITED STATES PATENT AND TRADEMARK OFFICE  
**CERTIFICATE OF CORRECTION**

PATENT NO. : D942,544 S  
APPLICATION NO. : 29/693164  
DATED : February 1, 2022  
INVENTOR(S) : Ngoc Banh and David Christopher Short

Page 1 of 1

It is certified that error appears in the above-identified patent and that said Letters Patent is hereby corrected as shown below:

On the Title Page

Item “(54) DRUG SYRINGE SAFELY LABEL” should read ---(54) DRUG SYRINGE SAFETY LABEL---

Signed and Sealed this  
Twelfth Day of April, 2022



Drew Hirshfeld  
*Performing the Functions and Duties of the  
Under Secretary of Commerce for Intellectual Property and  
Director of the United States Patent and Trademark Office*