



US00D942539S

(12) **United States Design Patent**
Kawada

(10) **Patent No.:** **US D942,539 S**

(45) **Date of Patent:** **** Feb. 1, 2022**

(54) **ATTACHMENT FOR LABEL APPLICATOR**
(71) Applicant: **TOWA SEIKO CO., LTD.**, Tokyo (JP)
(72) Inventor: **Toshikazu Kawada**, Tokyo (JP)
(73) Assignee: **TOWA SEIKO CO., LTD.**, Tokyo (JP)

5,820,005 A * 10/1998 Perkitny B65H 35/0026
225/65
D490,469 S * 5/2004 Chandaria D19/67
D506,224 S * 6/2005 Farce D19/67
6,913,060 B2 * 7/2005 Chandaria B65H 35/0026
156/523

(Continued)

(**) Term: **15 Years**
(21) Appl. No.: **29/688,901**
(22) Filed: **May 8, 2019**

OTHER PUBLICATIONS

AP-A35 Core Adapter to fit Towa APN-30, Manufacturer: Kenco, Manufacturer Part No. AP-A35, ASIN: B08K3P1F13, online on Amazon.com, Date First Available: Sep. 25, 2020.*

(Continued)

(30) **Foreign Application Priority Data**
Feb. 28, 2019 (JP) 2019-004151
(51) **LOC (13) Cl.** **19-02**
(52) **U.S. Cl.**
USPC **D19/67**
(58) **Field of Classification Search**
USPC D19/65, 66, 67, 68, 69
CPC B65H 75/00; B65H 75/02; B65H 75/185;
B65C 11/00; B65C 11/002; B65C 11/004
See application file for complete search history.

Primary Examiner — Elizabeth A. Albert
(74) *Attorney, Agent, or Firm* — Wenderoth, Lind & Ponack, L.L.P.

(57) **CLAIM**

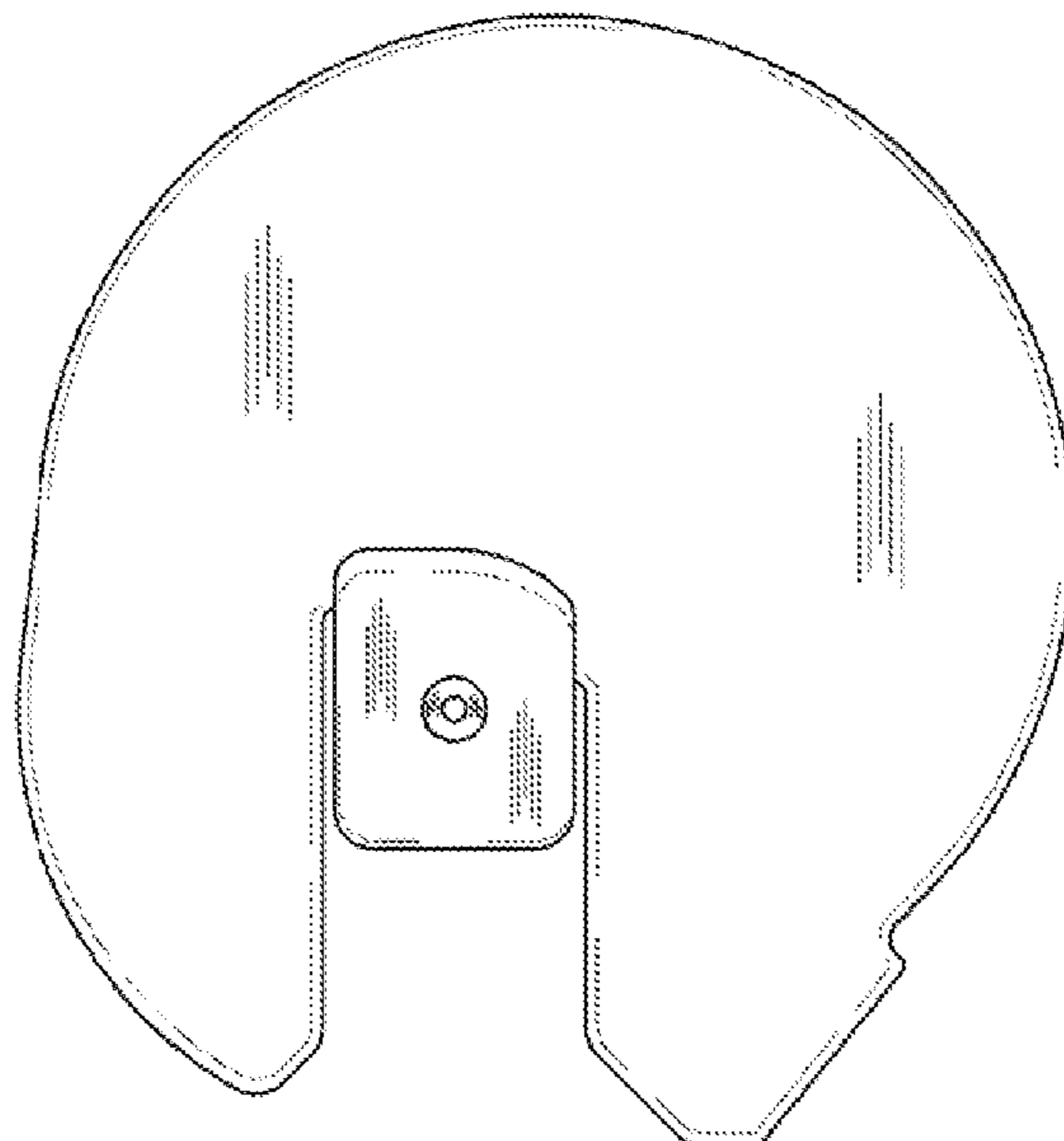
The ornamental design for an attachment for label applicator, as shown and described.

DESCRIPTION

FIG. 1 is a front view of the attachment for label applicator showing my new design;
FIG. 2 is a rear view thereof;
FIG. 3 is a right side view thereof;
FIG. 4 is a left side view thereof;
FIG. 5 is a top view thereof;
FIG. 6 is a bottom view thereof;
FIG. 7 is a front perspective view thereof;
FIG. 8 is a rear perspective view thereof;
FIG. 9 is a perspective view thereof in use; and,
FIG. 10 is another perspective view thereof in use.
The broken lines showing the label applicator are included for the purpose of illustrating an article that forms no part of the claimed design.

(56) **References Cited**
U.S. PATENT DOCUMENTS
3,622,096 A * 11/1971 Young F16D 7/005
242/599.4
4,505,773 A * 3/1985 Sato B65C 9/1892
101/288
4,552,610 A * 11/1985 Sato B65C 9/1892
156/384
D330,727 S * 11/1992 Wehrle D19/67
5,403,431 A * 4/1995 Goto B65C 9/42
156/540
5,516,398 A * 5/1996 Goto B65C 9/40
156/540
5,587,044 A * 12/1996 Goto B65C 9/40
156/542

1 Claim, 5 Drawing Sheets



(56)

References Cited

U.S. PATENT DOCUMENTS

6,923,358 B2 * 8/2005 Chandaria B65H 35/0026
156/527
D579,981 S * 11/2008 Maczuzak D19/69
D580,497 S * 11/2008 Dureiko D19/69
D591,354 S * 4/2009 Vulpitta D19/69
7,621,216 B2 * 11/2009 Jacobs B65C 11/004
101/111
8,191,597 B2 * 6/2012 Vulpitta B65H 35/0026
156/577
8,376,015 B2 * 2/2013 Guenter B65C 11/004
156/577
8,813,806 B2 * 8/2014 Vulpitta B65H 35/0013
156/527
8,814,077 B2 * 8/2014 Kervinen B65H 75/185
242/609.1
10,173,858 B2 * 1/2019 Vulpitta B65H 45/22
2003/0085250 A1 * 5/2003 Shah B65H 35/008
225/65
2004/0040670 A1 * 3/2004 Chandaria B65H 35/0026
156/577
2016/0122151 A1 * 5/2016 Vulpitta B65H 35/0033
225/56

OTHER PUBLICATIONS

Towa, AP-A35 3-inch Core Roll Adaptor, for Towa Label Apoplicator, online on Towa.com, copyright 2021.*

* cited by examiner

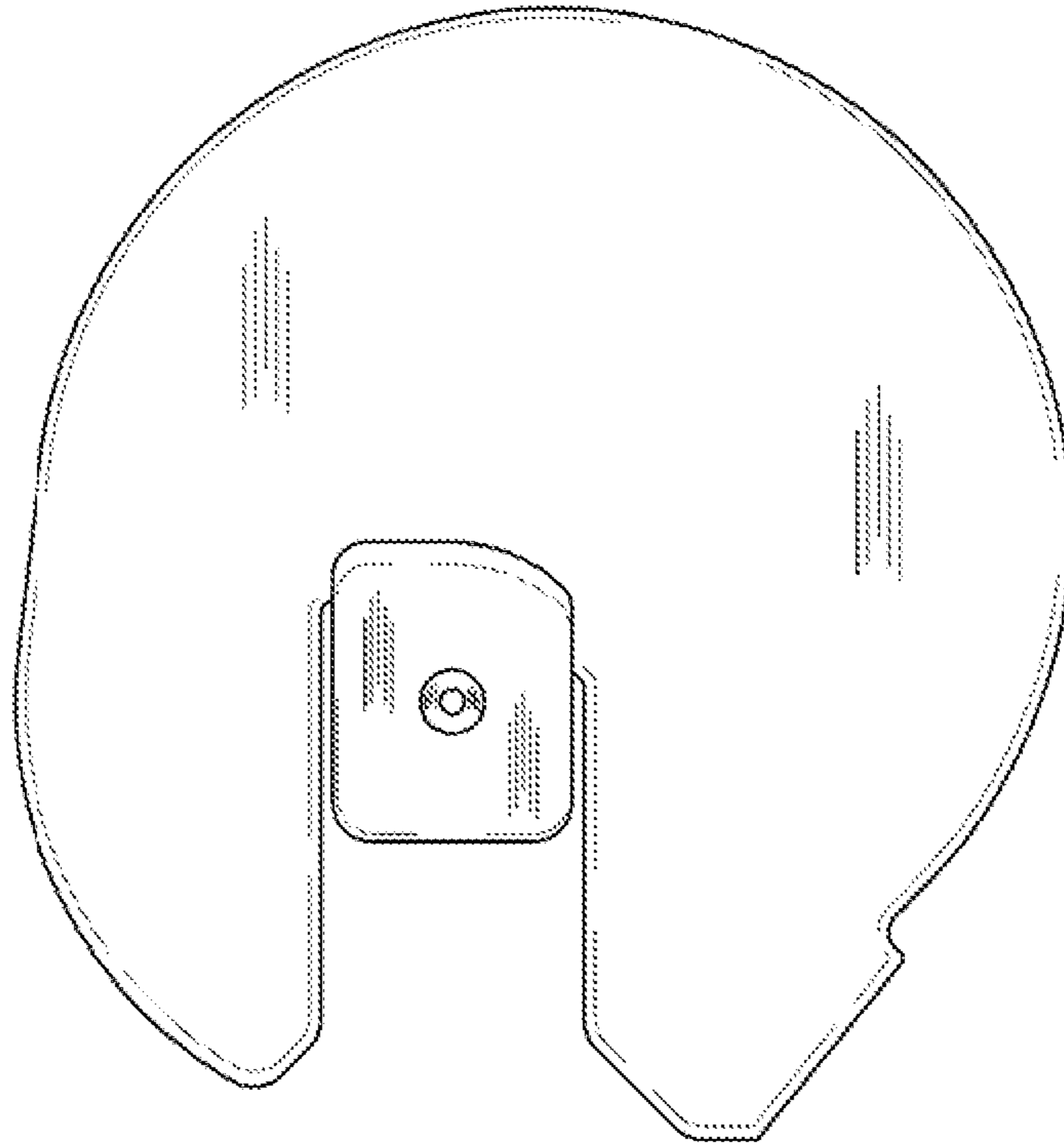


FIG. 1

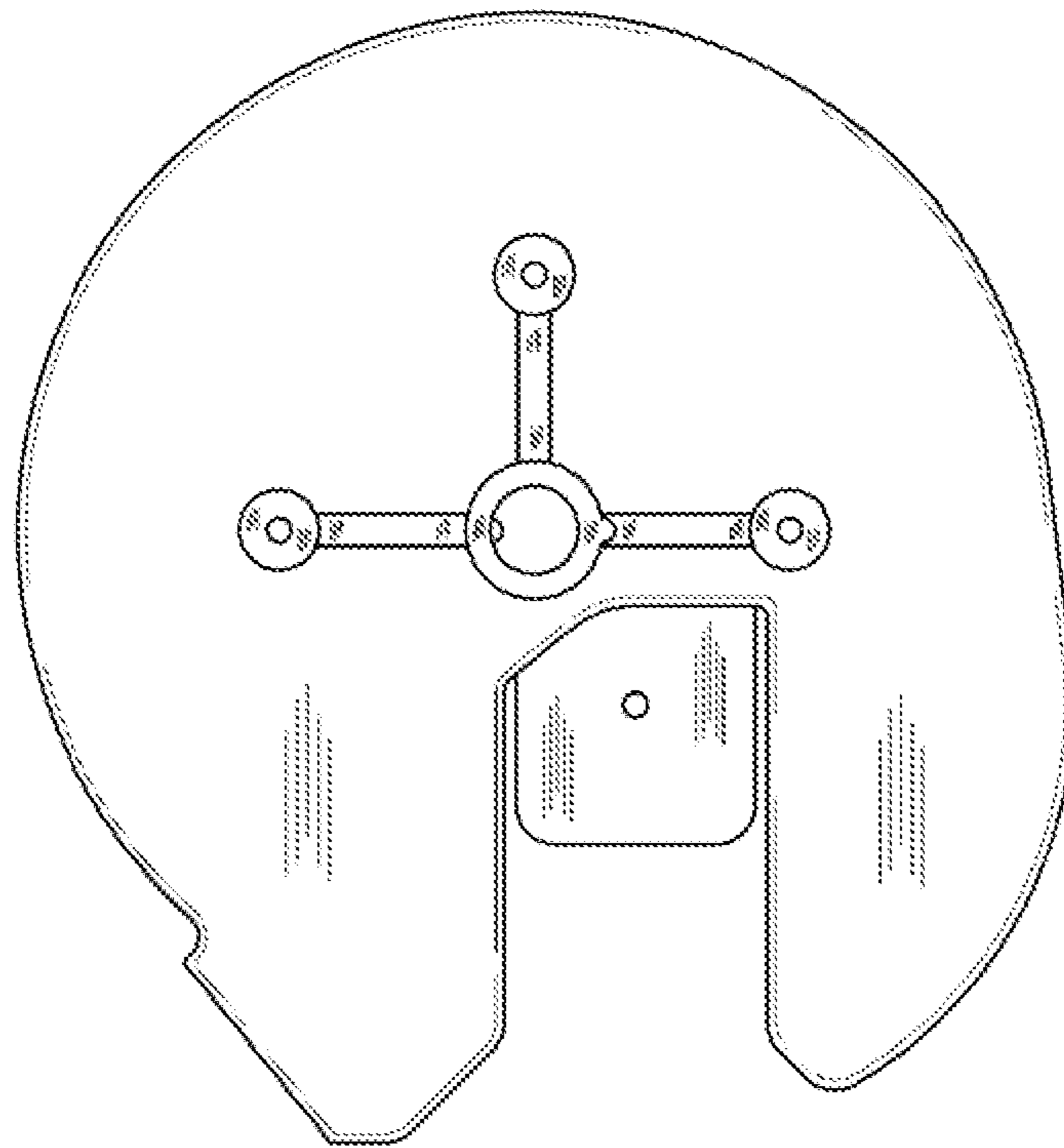


FIG. 2

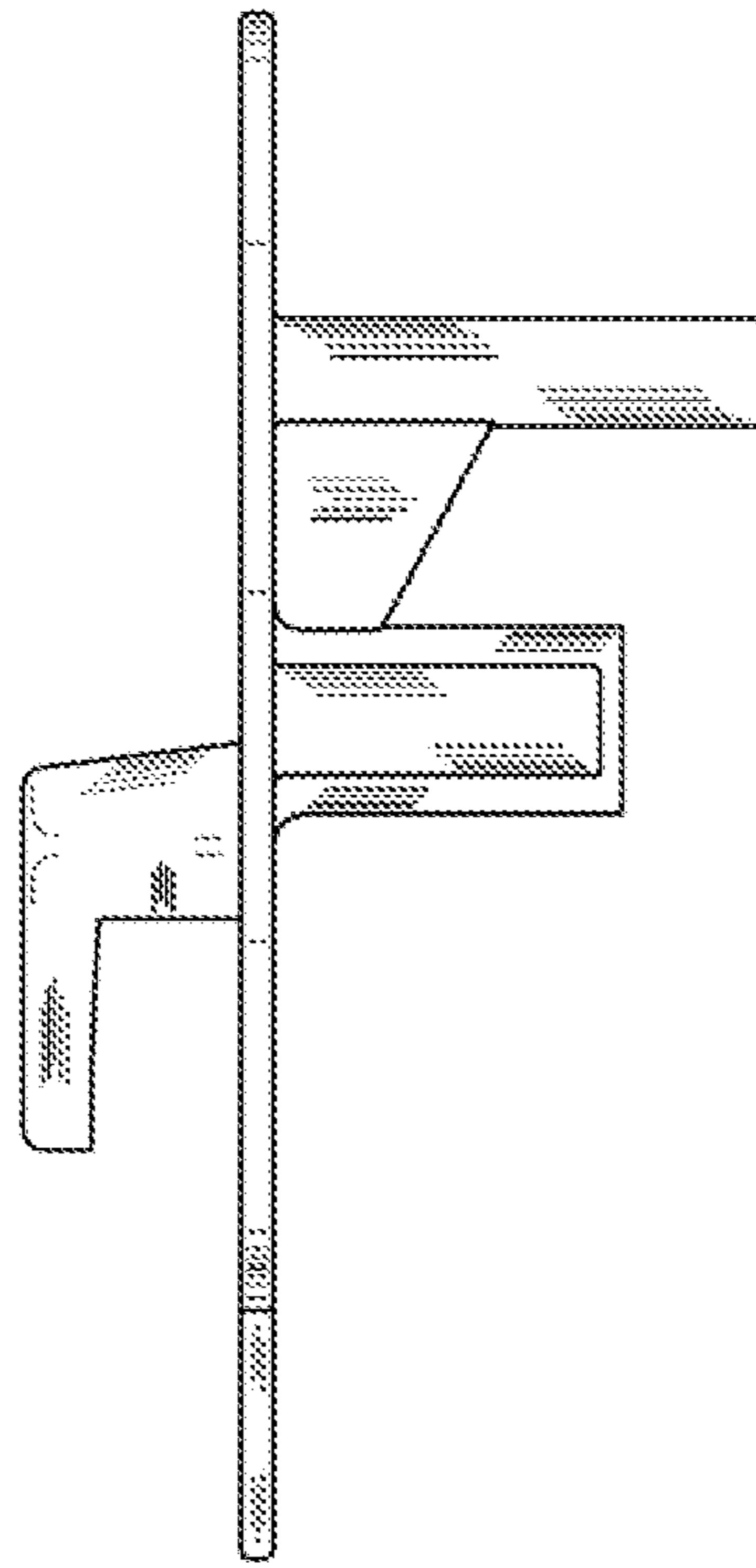


FIG. 3

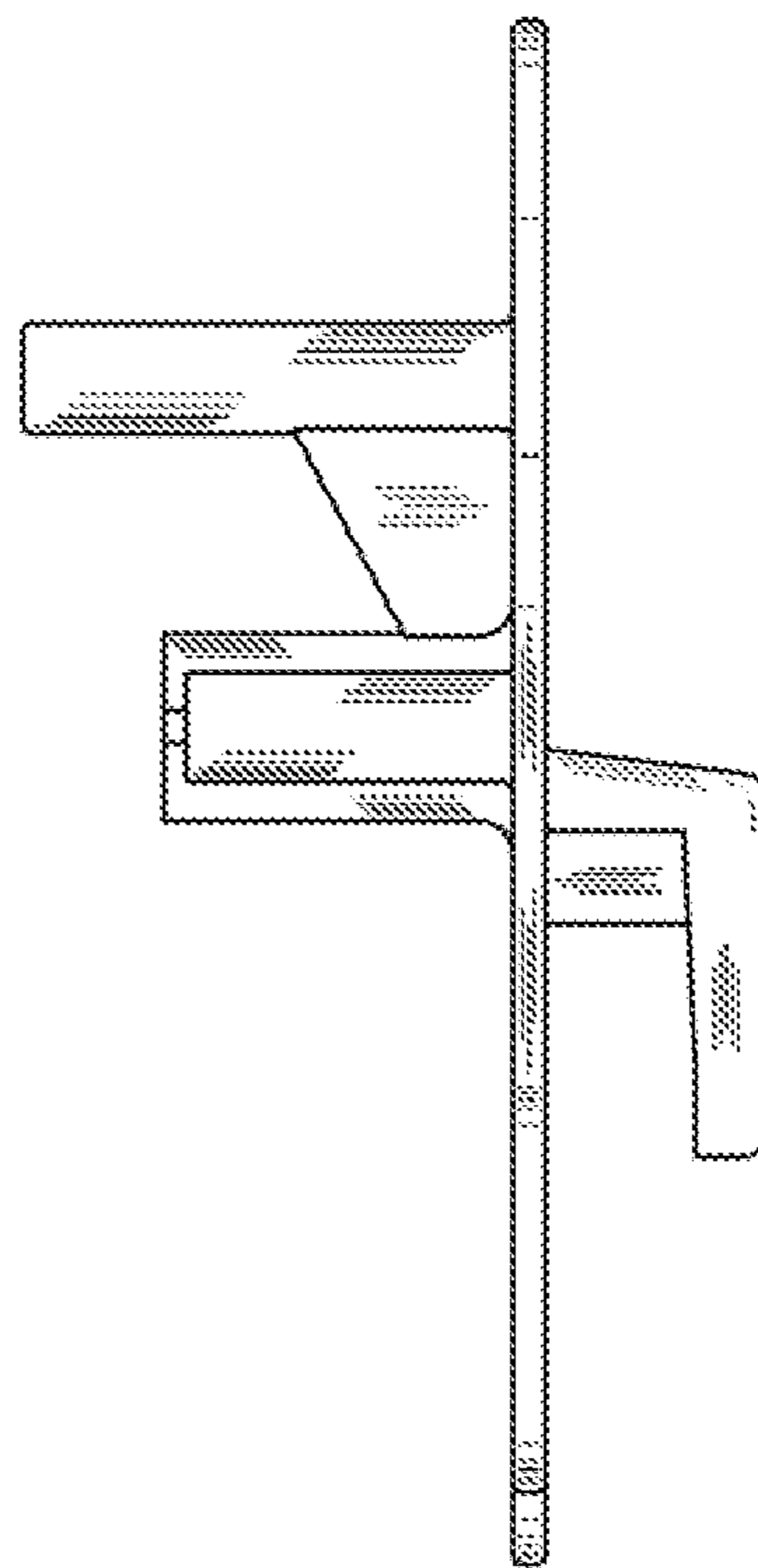


FIG. 4

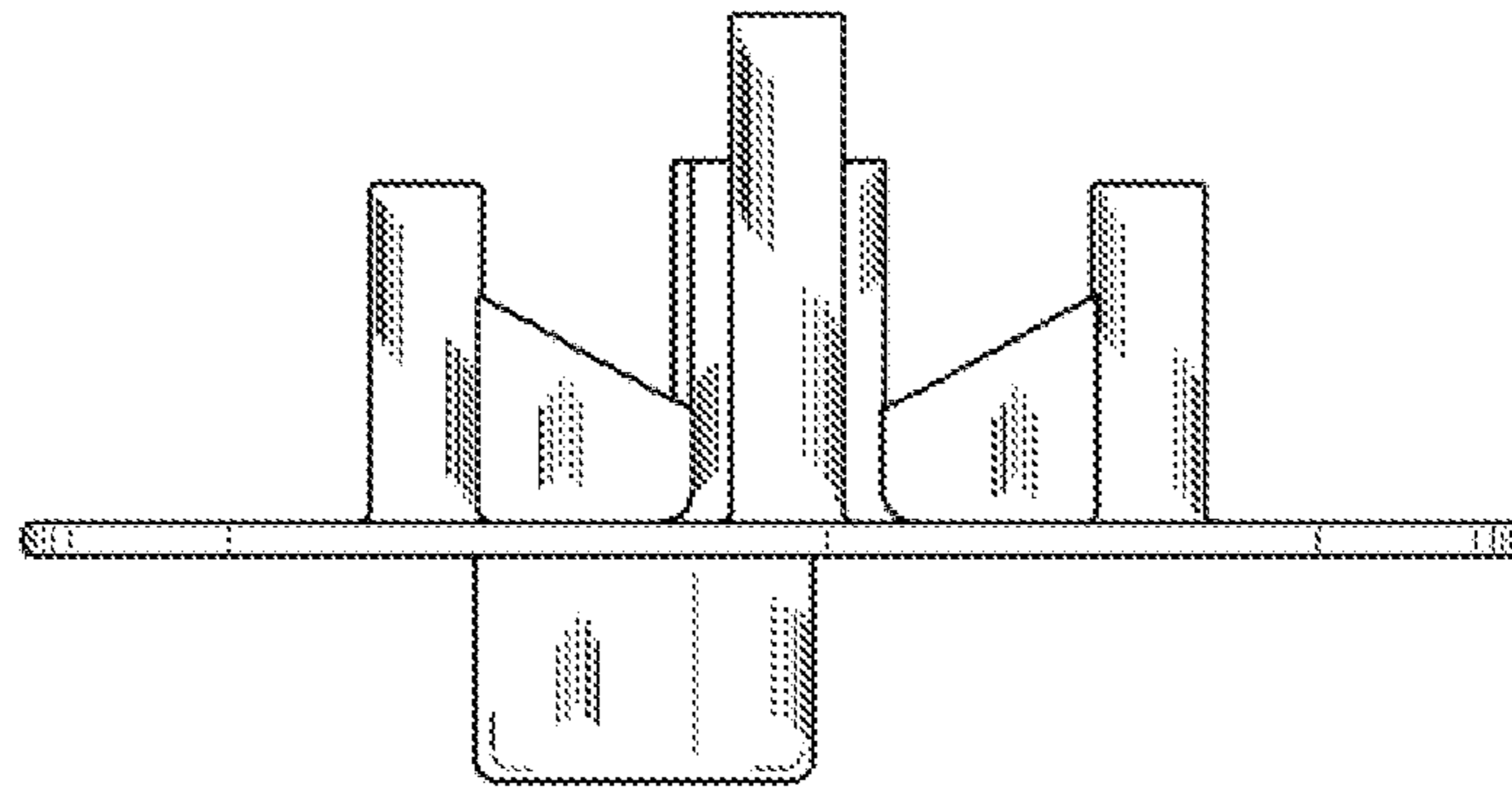


FIG. 5

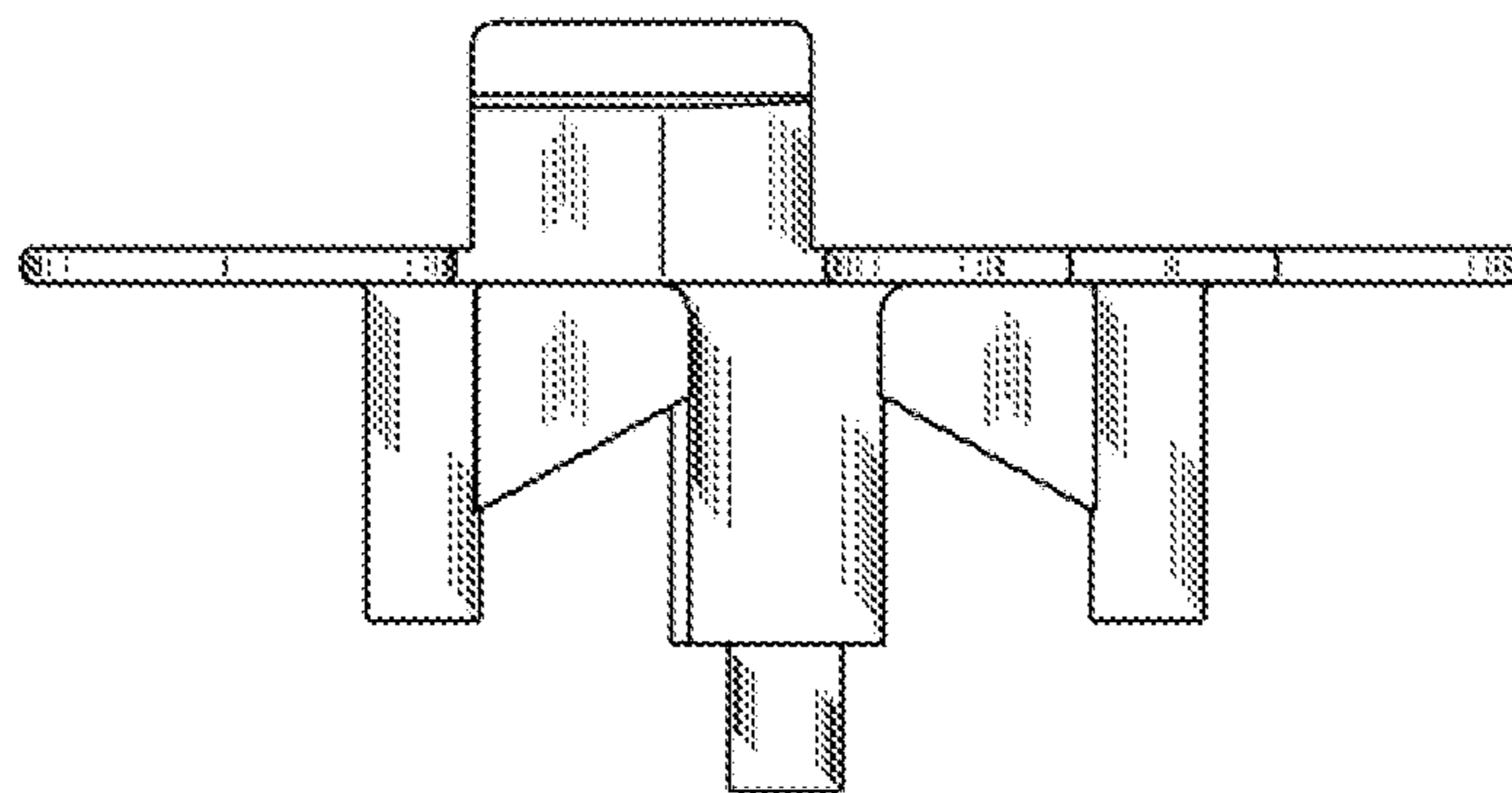


FIG. 6

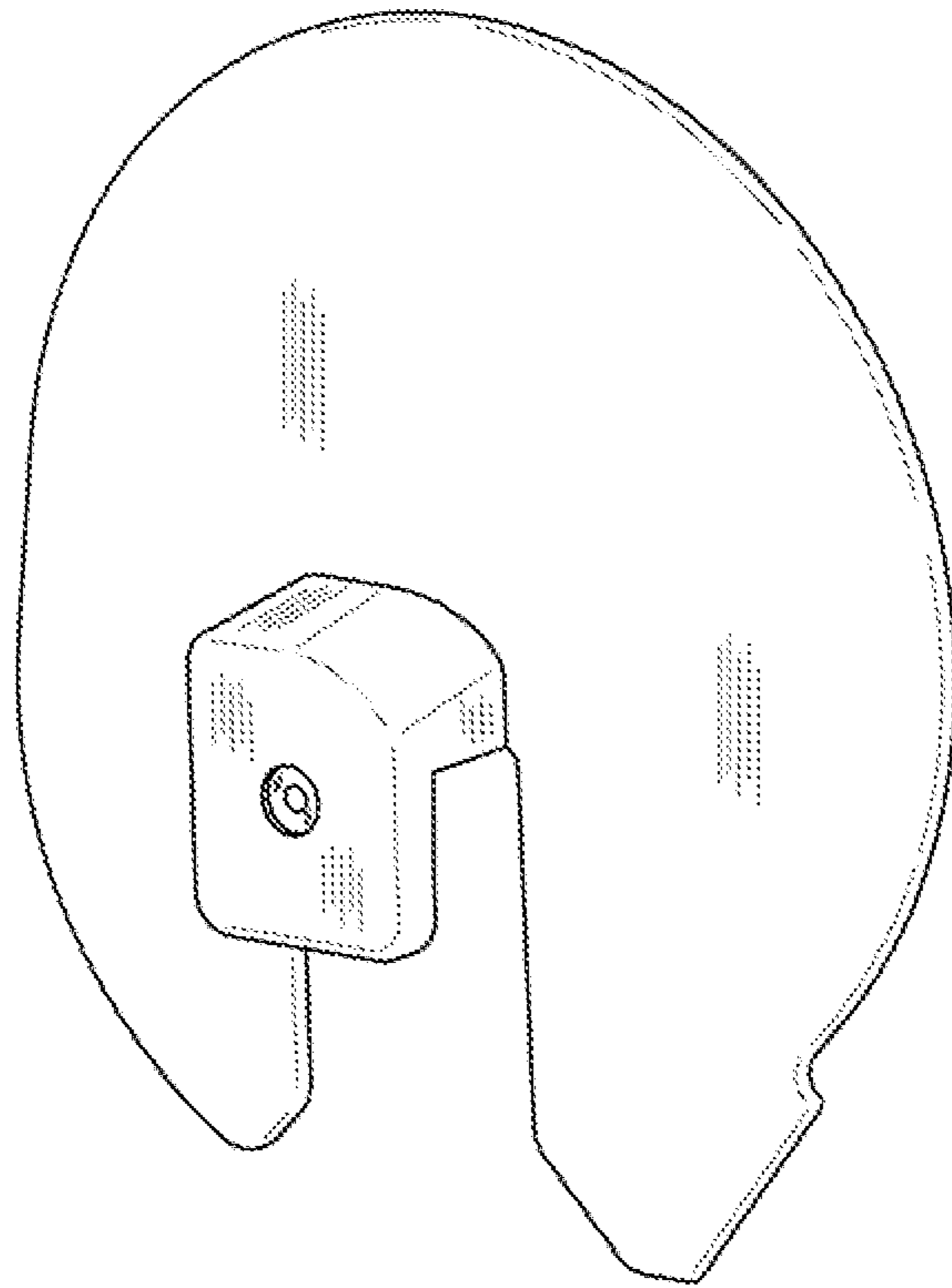


FIG. 7

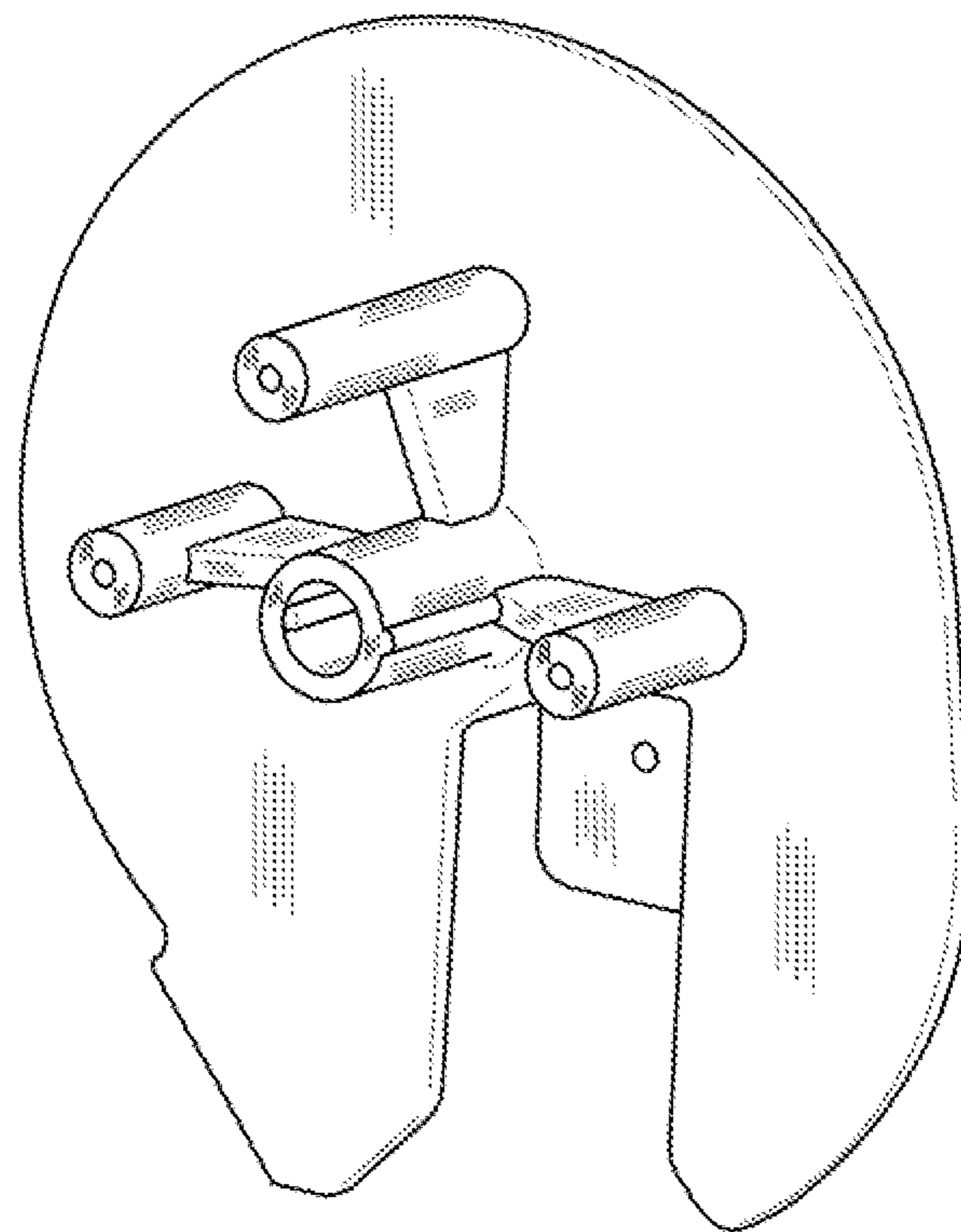


FIG. 8

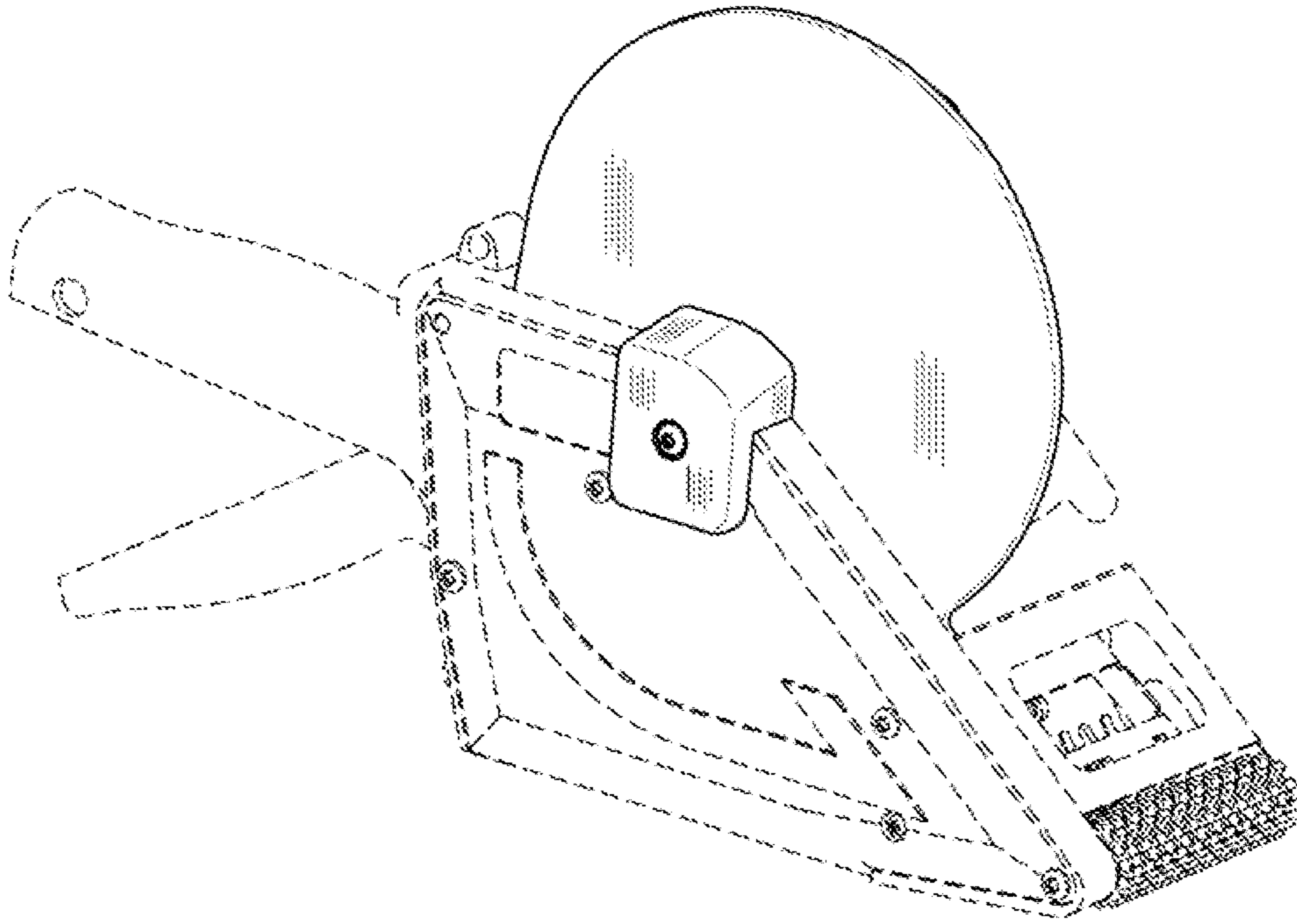


FIG. 9

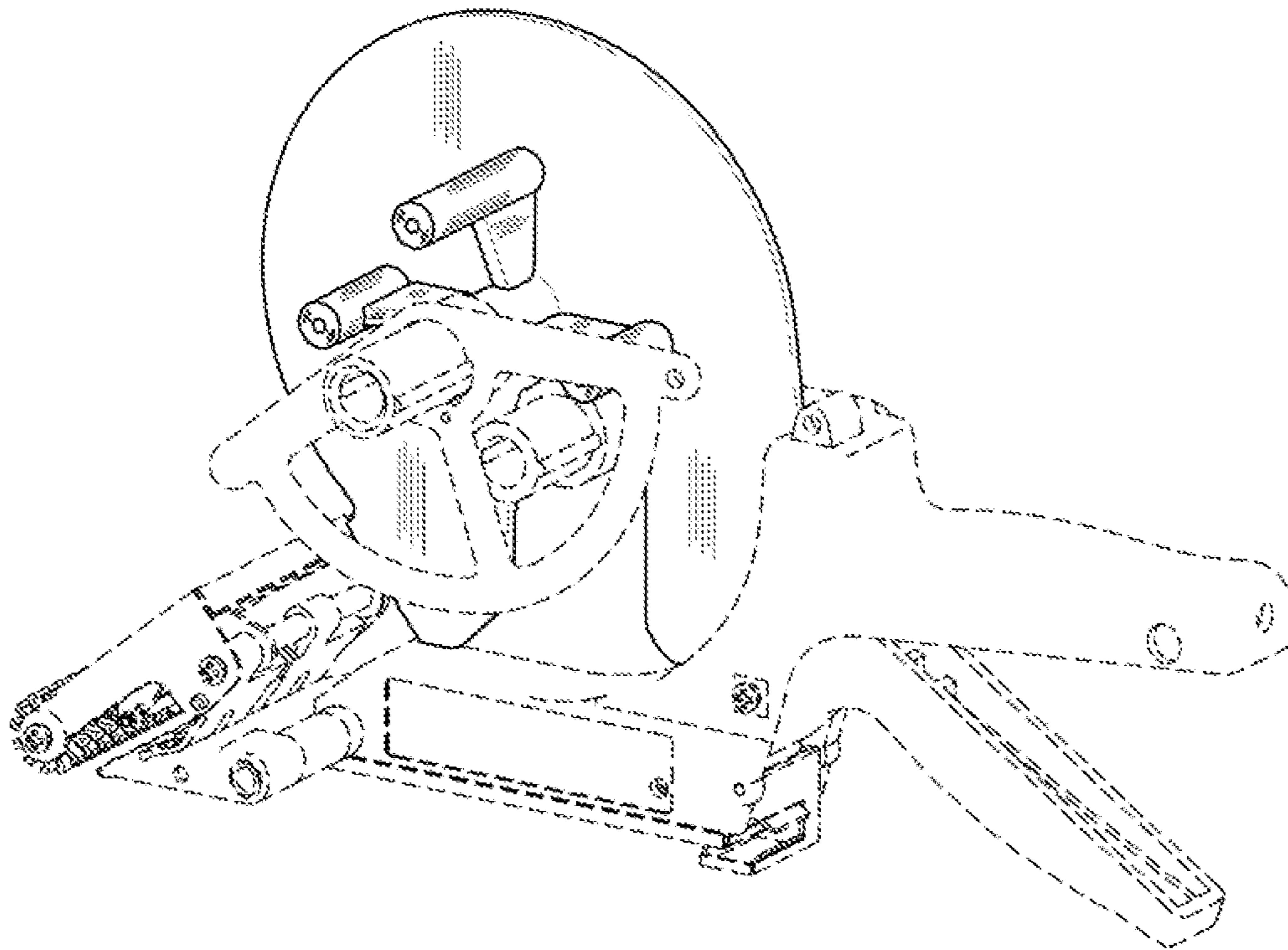


FIG. 10