

US00D942537S

(12) **United States Design Patent** (10) **Patent No.:** **US D942,537 S**  
**Hayashi et al.** (45) **Date of Patent:** **\*\* Feb. 1, 2022**

(54) **INK TANK FOR PRINTER**

(71) Applicant: **Canon Kabushiki Kaisha**, Tokyo (JP)

(72) Inventors: **Hiroki Hayashi**, Kanagawa-ken (JP);  
**Manabu Ohara**, Kanagawa-ken (JP);  
**Takashi Kusanagi**, Tokyo (JP)

(73) Assignee: **Canon Kabushiki Kaisha**, Tokyo (JP)

(\*\*) Term: **15 Years**

(21) Appl. No.: **29/716,104**

(22) Filed: **Dec. 6, 2019**

(30) **Foreign Application Priority Data**

Jun. 7, 2019 (JP) ..... 2019-012586

(51) **LOC (13) Cl.** ..... **18-02**

(52) **U.S. Cl.**  
USPC ..... **D18/56**

(58) **Field of Classification Search**

USPC ..... D15/122, 135-138, 141, 66, 73, 76-78;  
D18/53, 59, 50, 14, 19, 54-57, 36-45,  
D18/34.4, 34.5, 34.6, 18, 51, 12, 46-49;  
D14/301-303, 307, 345, 420-425, 462;  
D6/691.4, 675, 708; D13/107, 108  
CPC ..... B41J 2/14; B41J 1/54; B41J 3/4073; B41J  
3/4078; B41J 2/17513; B41J 2/17523;  
B41J 2/17546; B41J 2/17553; B41F  
17/22; B41F 17/003; B41F 17/38; B28B  
1/001; G03G 15/08; G03G 15/0891;  
G03G 15/0875; G03G 2215/0827; G03G  
2215/0855; G03G 21/1842

See application file for complete search history.

(56) **References Cited**

**U.S. PATENT DOCUMENTS**

D376,173 S \* 12/1996 Tokuda ..... D18/56  
D376,174 S \* 12/1996 Tokuda ..... D18/56  
5,732,751 A \* 3/1998 Schmidt ..... B41J 2/17506  
141/2  
5,734,401 A \* 3/1998 Clark ..... B41J 2/17506  
347/86

(Continued)

**FOREIGN PATENT DOCUMENTS**

CN 304494487 \* 2/2018  
EM 000586292-0001 \* 10/2006

(Continued)

**OTHER PUBLICATIONS**

PFI120 Compatible Ink Cartridge, No. date available [online],  
[retrieved Jun. 18, 2021], Available from Internet, URL: <https://www.ebay.com/itm/PFI120-Compatible-Ink-Cartridge-For-Canon-Image-TM-200-205-300-305-6colors-set-/224096793112>.\*

(Continued)

*Primary Examiner* — Leanne Was-Englehart

(74) *Attorney, Agent, or Firm* — Venable LLP

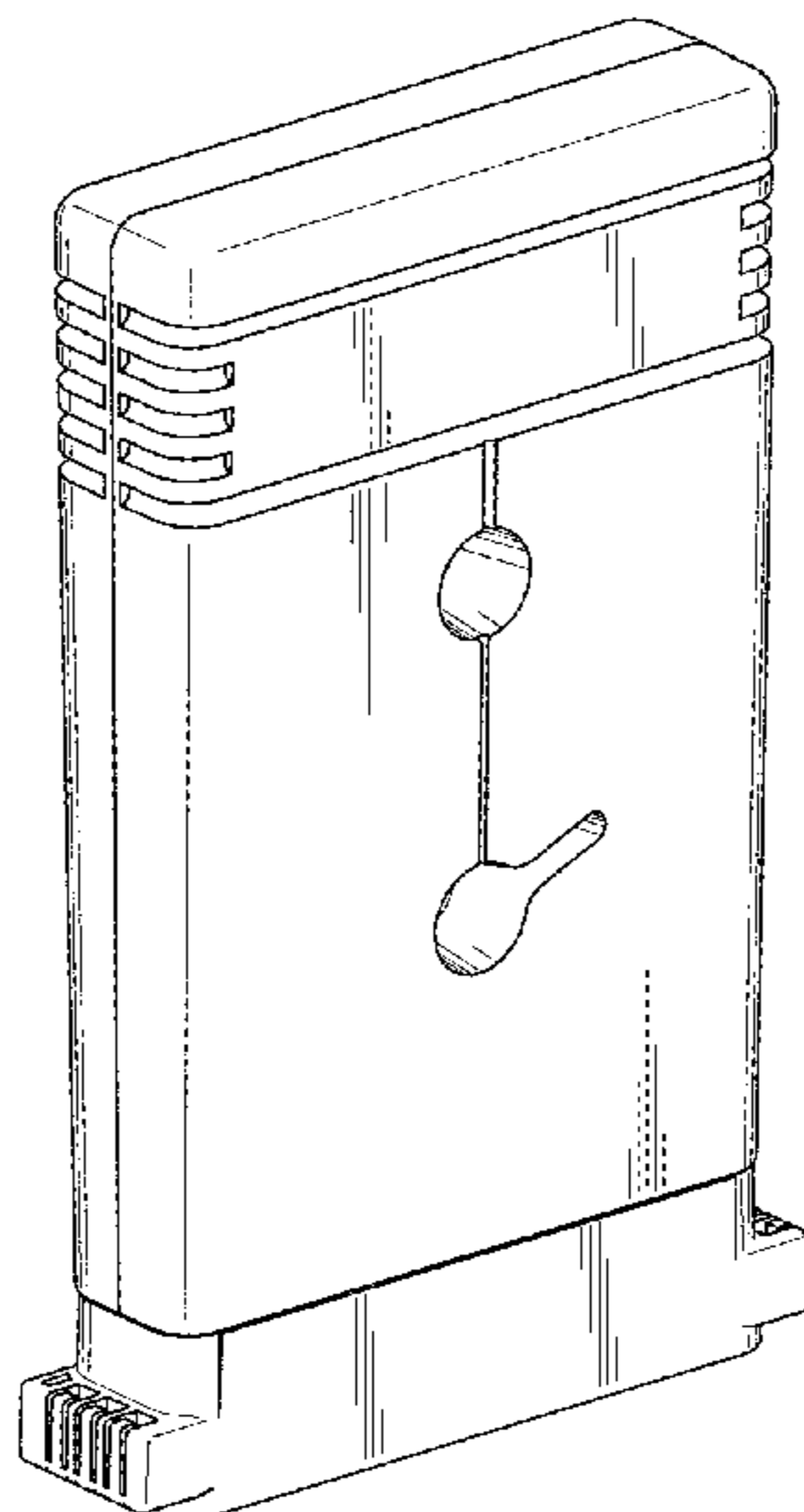
(57) **CLAIM**

The ornamental design for an ink tank for printer, as shown and described.

**DESCRIPTION**

FIG. 1 is a front view of an ink tank for printer showing our new design;  
FIG. 2 is a rear view thereof;  
FIG. 3 is a top plan view thereof;  
FIG. 4 is a bottom plan view thereof;  
FIG. 5 is a left side view thereof;  
FIG. 6 is a right side view thereof;  
FIG. 7 is a front perspective view thereof;  
FIG. 8 is a rear perspective view thereof;  
FIG. 9 is a front, bottom perspective view thereof; and,  
FIG. 10 is a rear, bottom perspective view thereof.  
The broken lines shown in the figures depict portions of the ink tank for printer that form no part of the claimed design.

**1 Claim, 9 Drawing Sheets**



(56)

References Cited

U.S. PATENT DOCUMENTS

5,777,646 A \* 7/1998 Barinaga ..... B41J 2/17513  
347/86  
5,784,087 A \* 7/1998 Wallace ..... B41J 2/17513  
347/85  
5,844,579 A \* 12/1998 Barinaga ..... B41J 2/17566  
347/7  
5,856,839 A \* 1/1999 Aukstikalnis ..... B41J 2/17596  
347/86  
5,900,896 A \* 5/1999 Barinaga ..... B41J 2/17506  
347/86  
D411,568 S \* 6/1999 Steinmetz ..... D18/56  
D415,790 S \* 10/1999 Hmelar ..... 347/86  
D416,573 S \* 11/1999 Hmelar ..... 347/86  
6,068,371 A \* 5/2000 Wallace ..... B41J 2/1752  
347/86  
D428,437 S \* 7/2000 Hmelar ..... 347/86  
D428,438 S \* 7/2000 Hmelar ..... 347/86  
D432,567 S \* 10/2000 Gasvoda ..... D18/2  
6,293,663 B1 \* 9/2001 Koshikawa ..... B41J 2/17513  
347/86  
D461,203 S \* 8/2002 Nanjo ..... 347/86  
D461,495 S \* 8/2002 Nanjo ..... 347/86  
D467,267 S \* 12/2002 Nanjo ..... 347/86  
6,945,642 B2 \* 9/2005 Yamamoto ..... B41J 2/17513  
347/86  
D526,010 S \* 8/2006 Otis, Jr ..... D18/56

D540,377 S \* 4/2007 Hatasa ..... 347/86  
D611,531 S \* 3/2010 Hatasa ..... D18/56  
D637,227 S \* 5/2011 Deng ..... D18/56  
D696,721 S \* 12/2013 Kitagawa ..... D18/59  
D770,972 S \* 11/2016 Kruglak ..... D13/107  
D793,957 S \* 8/2017 Acosta Pulgar ..... D13/108  
D902,148 S \* 11/2020 Nishimura ..... D13/107

FOREIGN PATENT DOCUMENTS

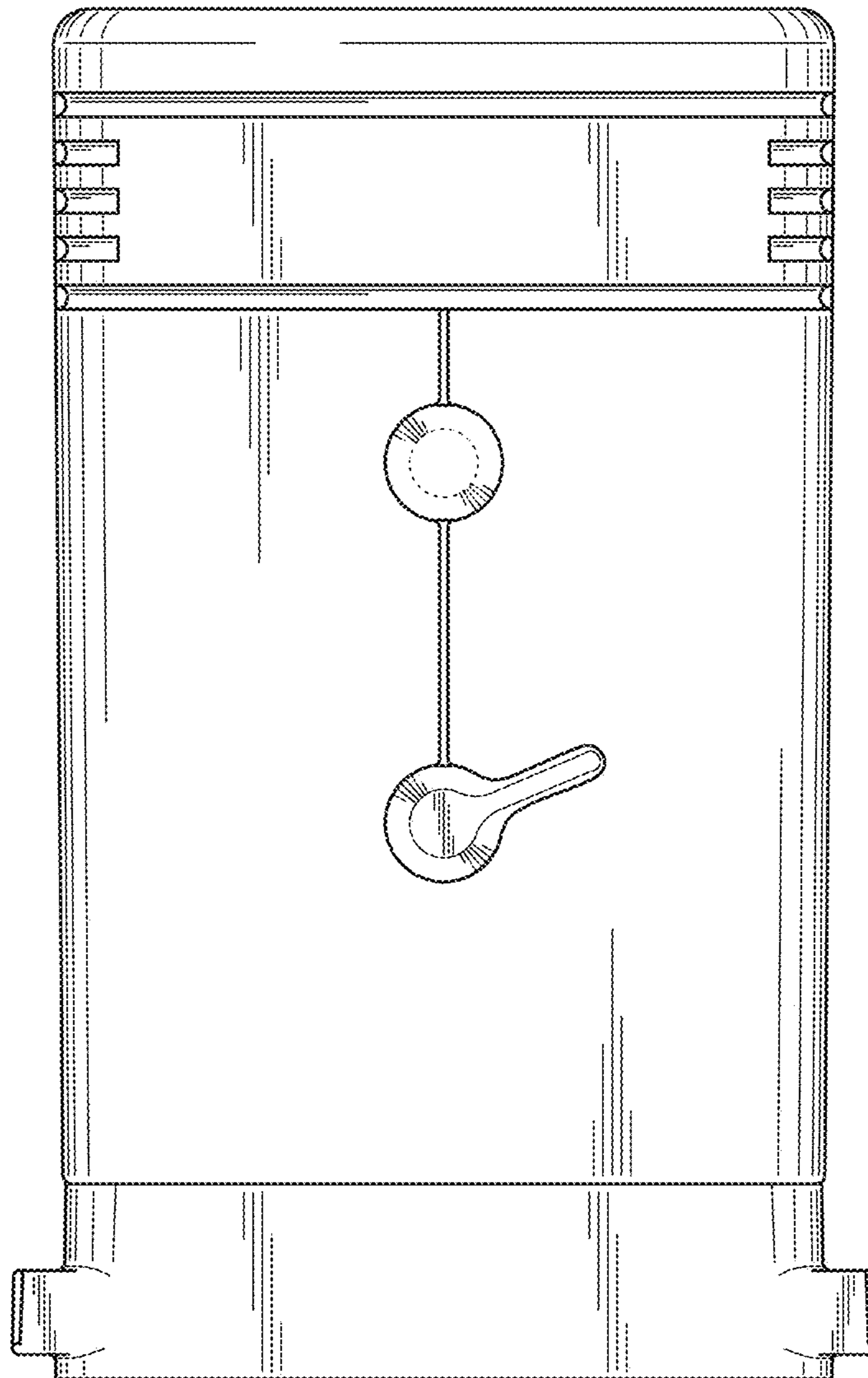
JP D1143422 S 6/2002  
JP D1143548 S 6/2002  
JP D1143549 S 6/2002  
JP D1143550 S 6/2002  
JP D1291817 \* 1/2007  
JP D1449804 \* 8/2012

OTHER PUBLICATIONS

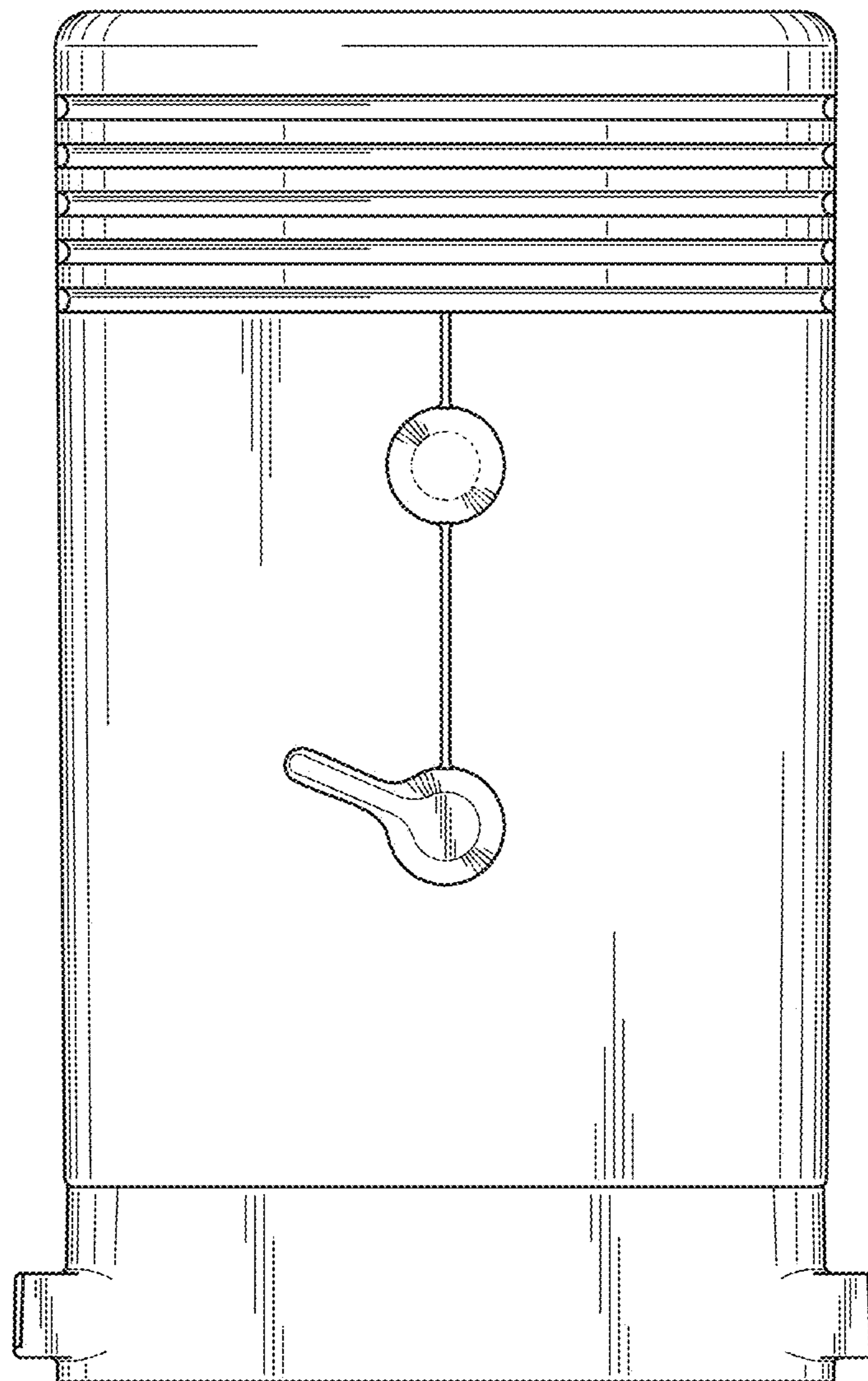
Canon PFI-207, no date available [online], [retrieved Jun. 18, 2021], Available from Internet, URL: [https://www.staples.com/canon-pfi-207-black-matte-ink-cartridge-standard-yield-8788b001/product\\_2715990?ci\\_src=17588969&ci\\_sku=2715990&KPID=2715990&cid=PS:H2H:GS:SBD:PLA:IT&clid=EAlalQobChMlqojokaSi8QIVC7LICH3AnA\\_nEAQ.\\*](https://www.staples.com/canon-pfi-207-black-matte-ink-cartridge-standard-yield-8788b001/product_2715990?ci_src=17588969&ci_sku=2715990&KPID=2715990&cid=PS:H2H:GS:SBD:PLA:IT&clid=EAlalQobChMlqojokaSi8QIVC7LICH3AnA_nEAQ.*)  
Japanese Office Action dated May 12, 2020 in counterpart Japanese application No. 2019-012586.

\* cited by examiner

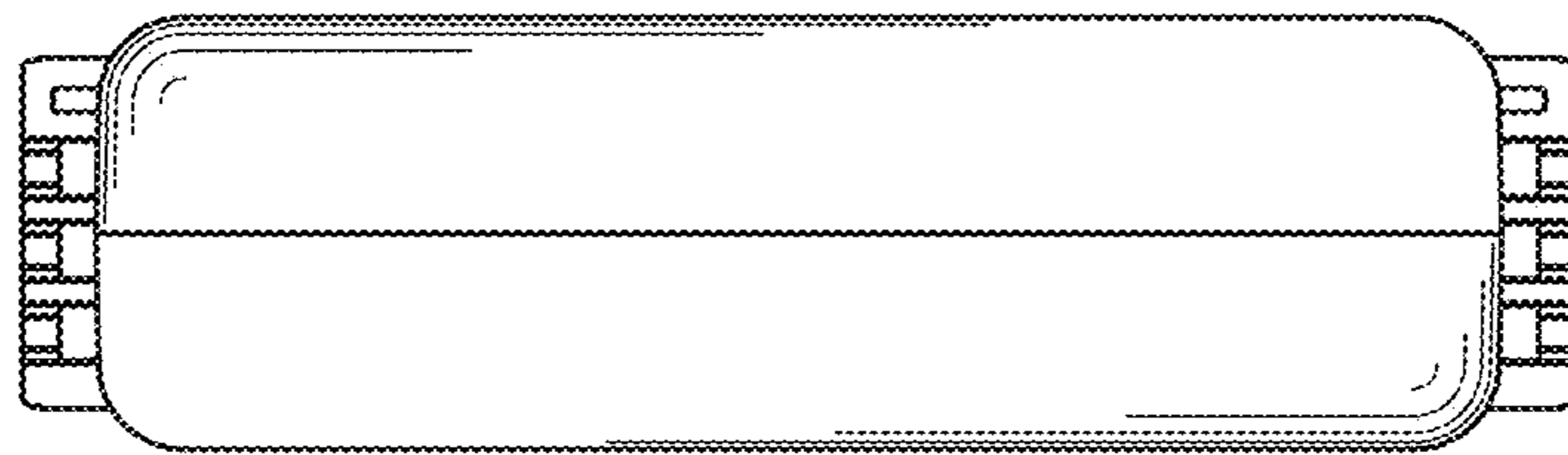
**FIG. 1**



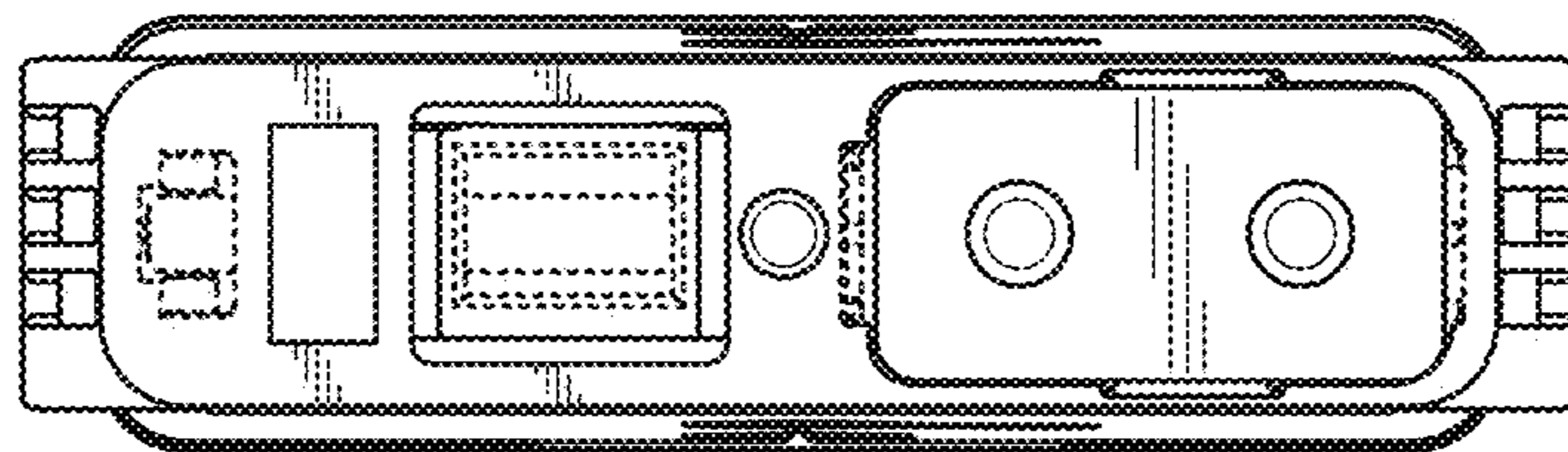
**FIG. 2**



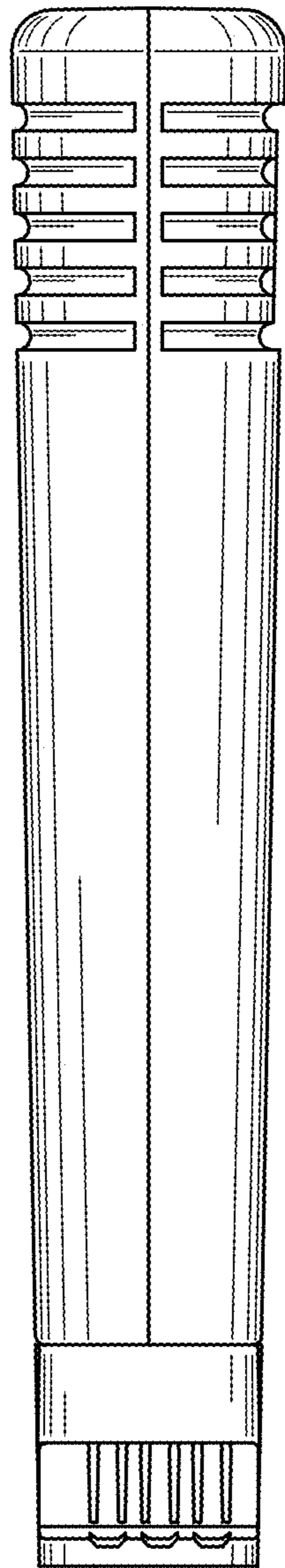
**FIG. 3**



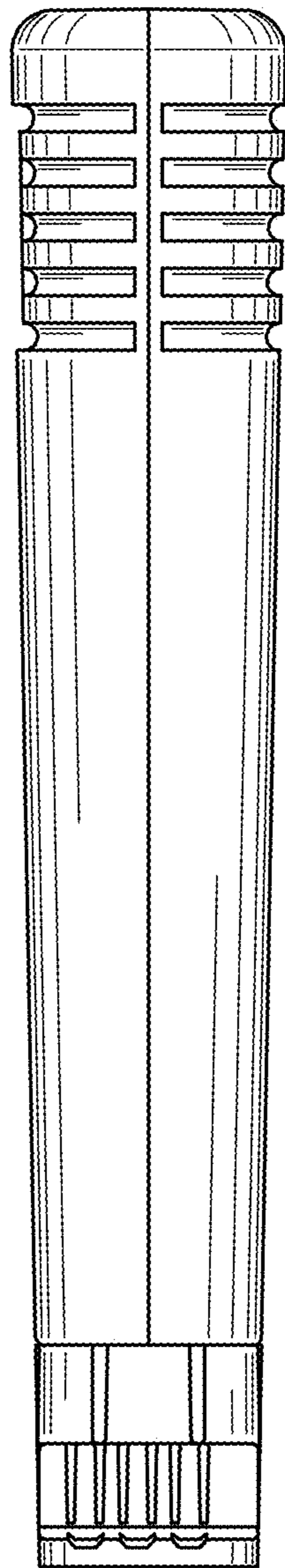
**FIG. 4**



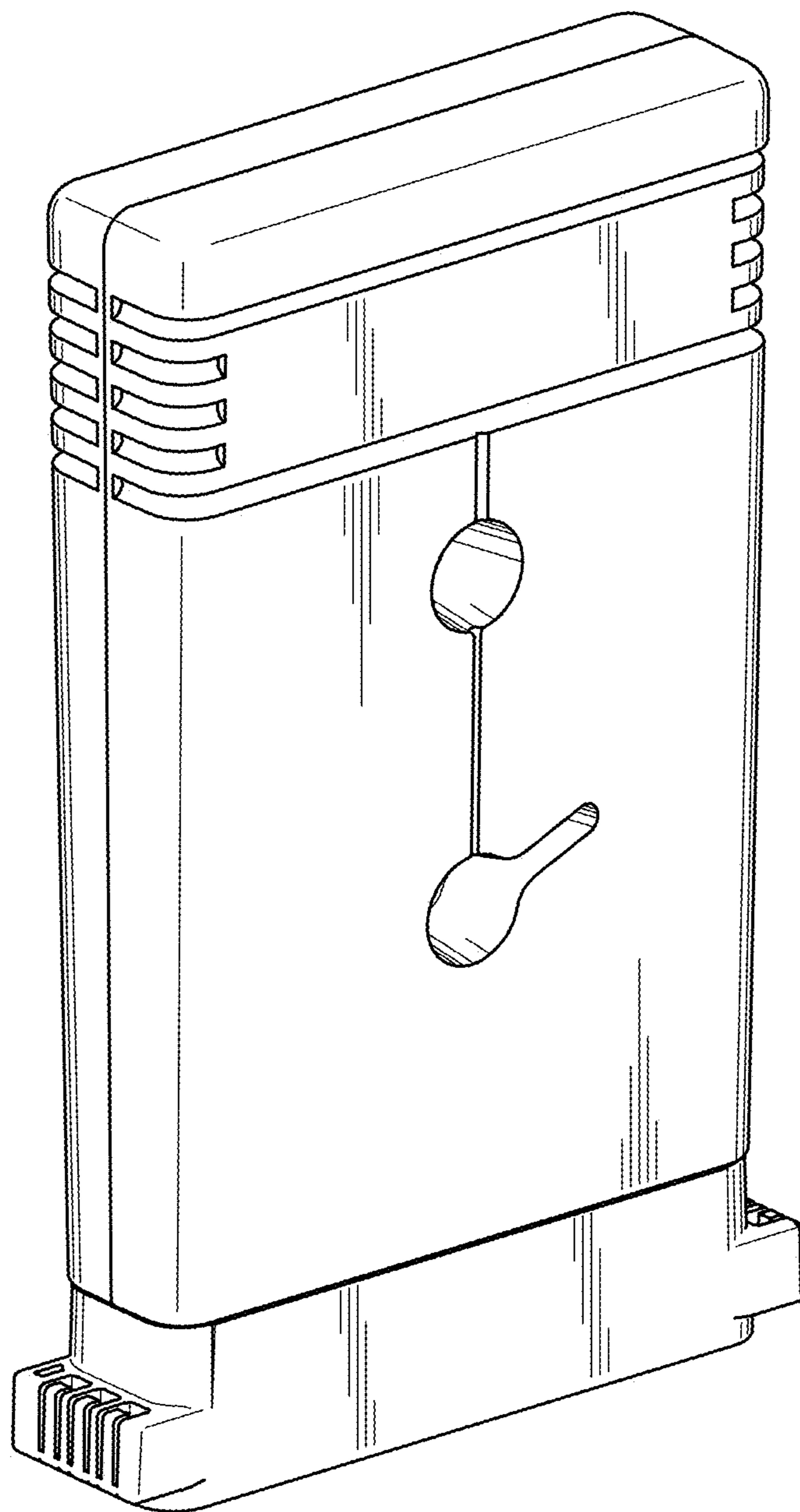
**FIG. 5**



**FIG. 6**

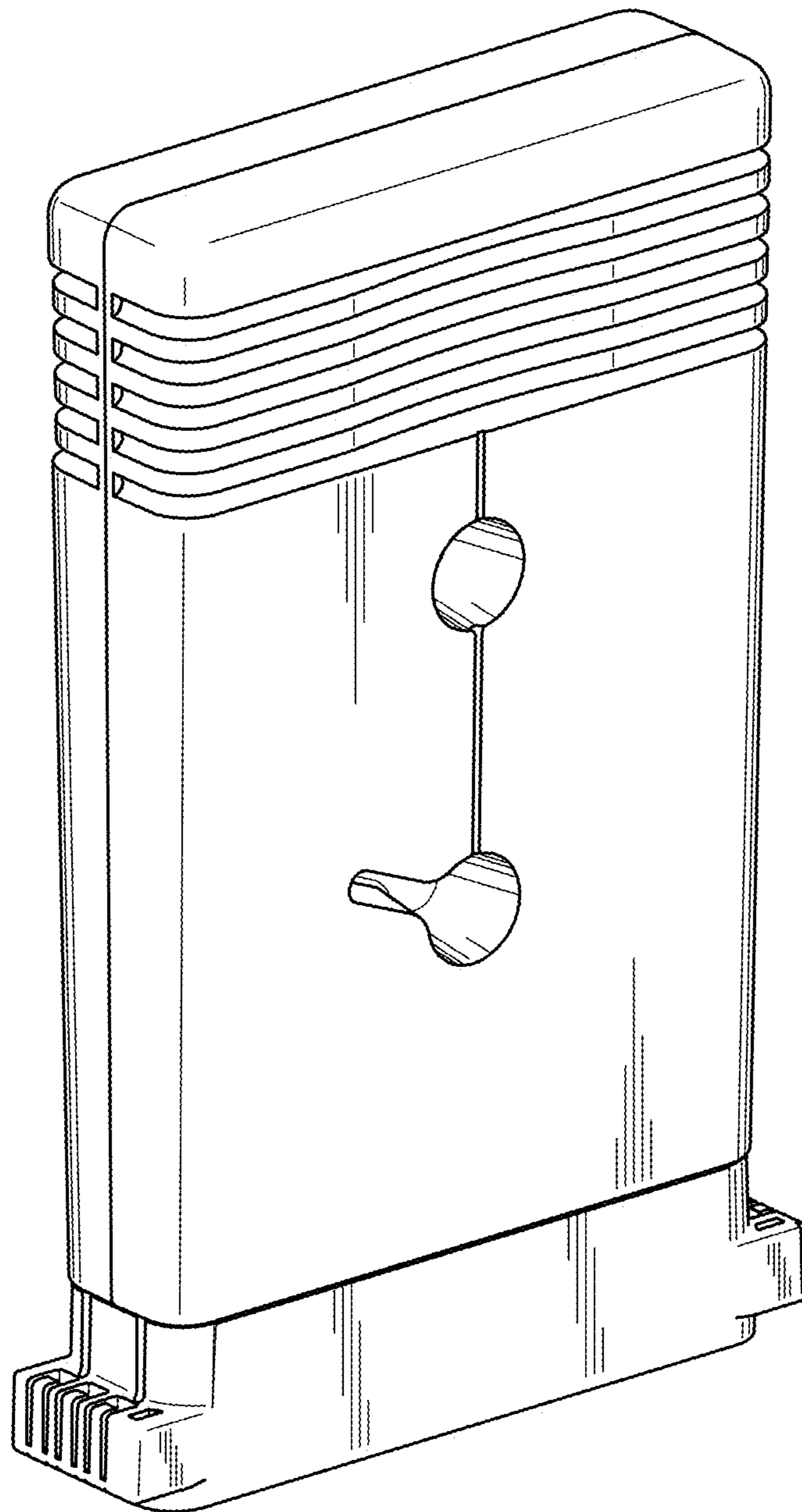


**FIG. 7**

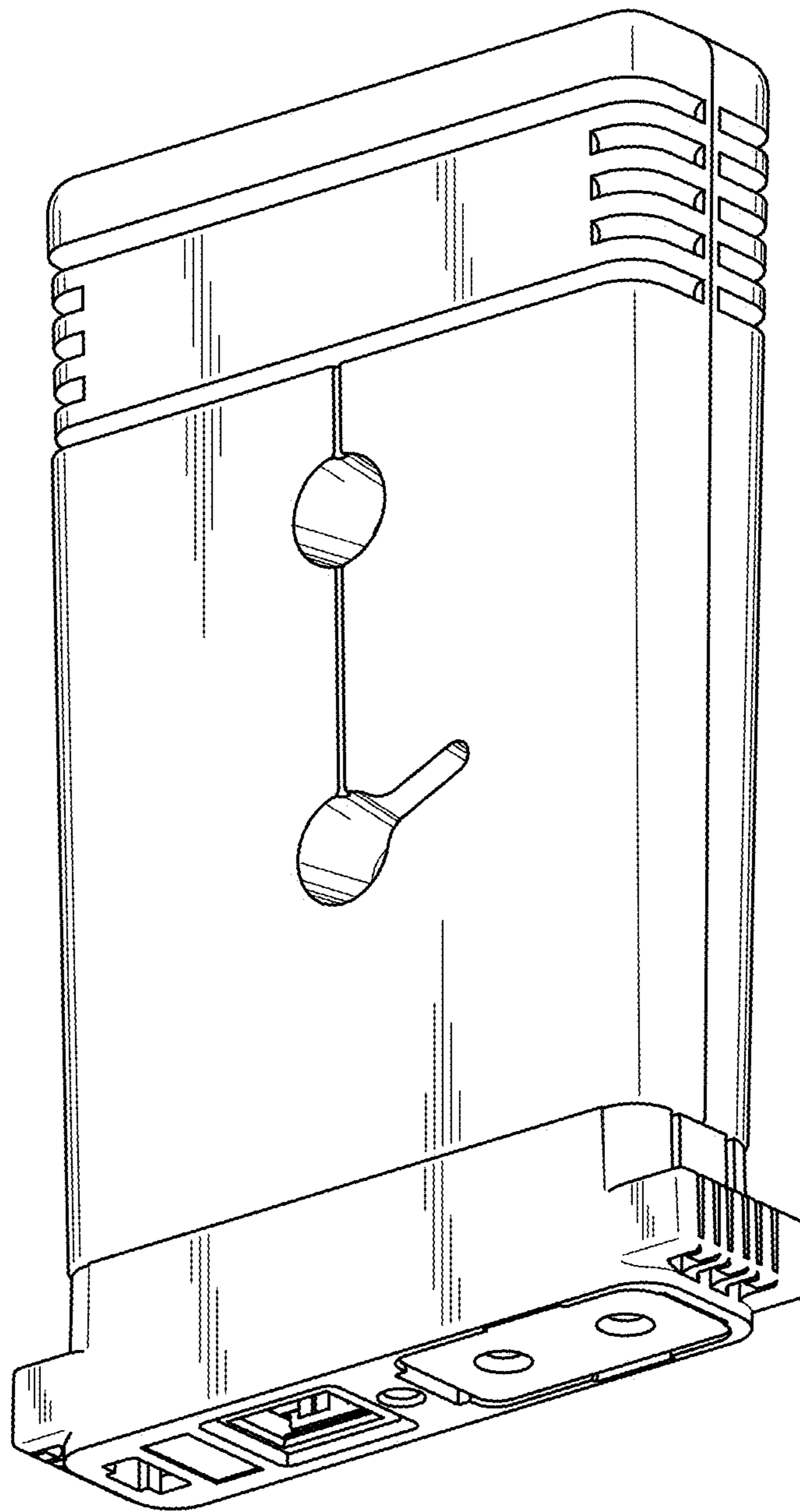




**FIG. 8**



**FIG. 9**



**FIG. 10**

