



US00D942535S

(12) **United States Design Patent** (10) **Patent No.:** **US D942,535 S**
Wang et al. (45) **Date of Patent:** **** Feb. 1, 2022**

(54) **PRINTER**

FOREIGN PATENT DOCUMENTS

(71) Applicant: **TOAST, INC.**, Boston, MA (US)

JP D1632893 * 8/2018
WO D103836-001 * 11/2018

(72) Inventors: **Yueyue Wang**, Boston, MA (US); **Boon Ping Ng**, Andover, MA (US); **James H. Barber**, Glenview, IL (US)

OTHER PUBLICATIONS

(73) Assignee: **Toast, Inc.**, Boston, MA (US)

TP200 Toast Printer Quick Start Guide—p. 2, no date—toastlab.com-29732829 (Year: 2021).*
Amazon.com_ Thermal Paper fits Toast POS TP200—p. 2—May 2021—Amazon.com—29732829 (Year: 2021).*

(**) Term: **15 Years**

* cited by examiner

(21) Appl. No.: **29/732,829**

(22) Filed: **Apr. 28, 2020**

Primary Examiner — Jennifer L Rempfer

(51) **LOC (13) Cl.** **14-02**

Assistant Examiner — Danielle Nichole Bowly

(52) **U.S. Cl.**

(74) *Attorney, Agent, or Firm* — Richard K. Huffman;
Huffman Patent Group, LLC

USPC **D18/50**

(58) **Field of Classification Search**

USPC D18/4.1, 4.4, 4.6, 37, 38, 39, 50, 53, 54,
D18/55, 59; D14/300, 301, 302, 307,
D14/308, 314, 321, 365; D6/514, 672,
D6/681.2, 691.9

(57) **CLAIM**

CPC ... H04H 2201/0094; H04H 2201/0081; H04N
1/00278

The ornamental design for a printer, as shown and described.

See application file for complete search history.

DESCRIPTION

(56) **References Cited**

U.S. PATENT DOCUMENTS

D682,927 S * 5/2013 Azegami D18/50
D686,275 S * 7/2013 Nakazawa D18/50
D711,463 S * 8/2014 Costabeber D18/50
D761,903 S * 7/2016 Matsumoto D18/50
D763,330 S * 8/2016 Olive D15/122
D766,359 S * 9/2016 Takahashi D18/50
D767,671 S * 9/2016 Endo D18/50
D770,545 S * 11/2016 Olive D15/122
D785,084 S * 4/2017 Azegami D18/50
D785,085 S * 4/2017 Lee D18/55
D788,843 S * 6/2017 Lee D18/55
D826,296 S * 8/2018 Noorazar D15/122
D838,771 S * 1/2019 Kim D18/50
D892,919 S * 8/2020 Nakatani D18/19
D892,924 S * 8/2020 Tobita D18/50

FIG. 1 is a perspective view of a printer showing our new design;

FIG. 2 is a front elevational view thereof;

FIG. 3 is a rear elevational view thereof;

FIG. 4 is a right side elevational view thereof;

FIG. 5 is a left side elevational view thereof;

FIG. 6 is a top plan view thereof;

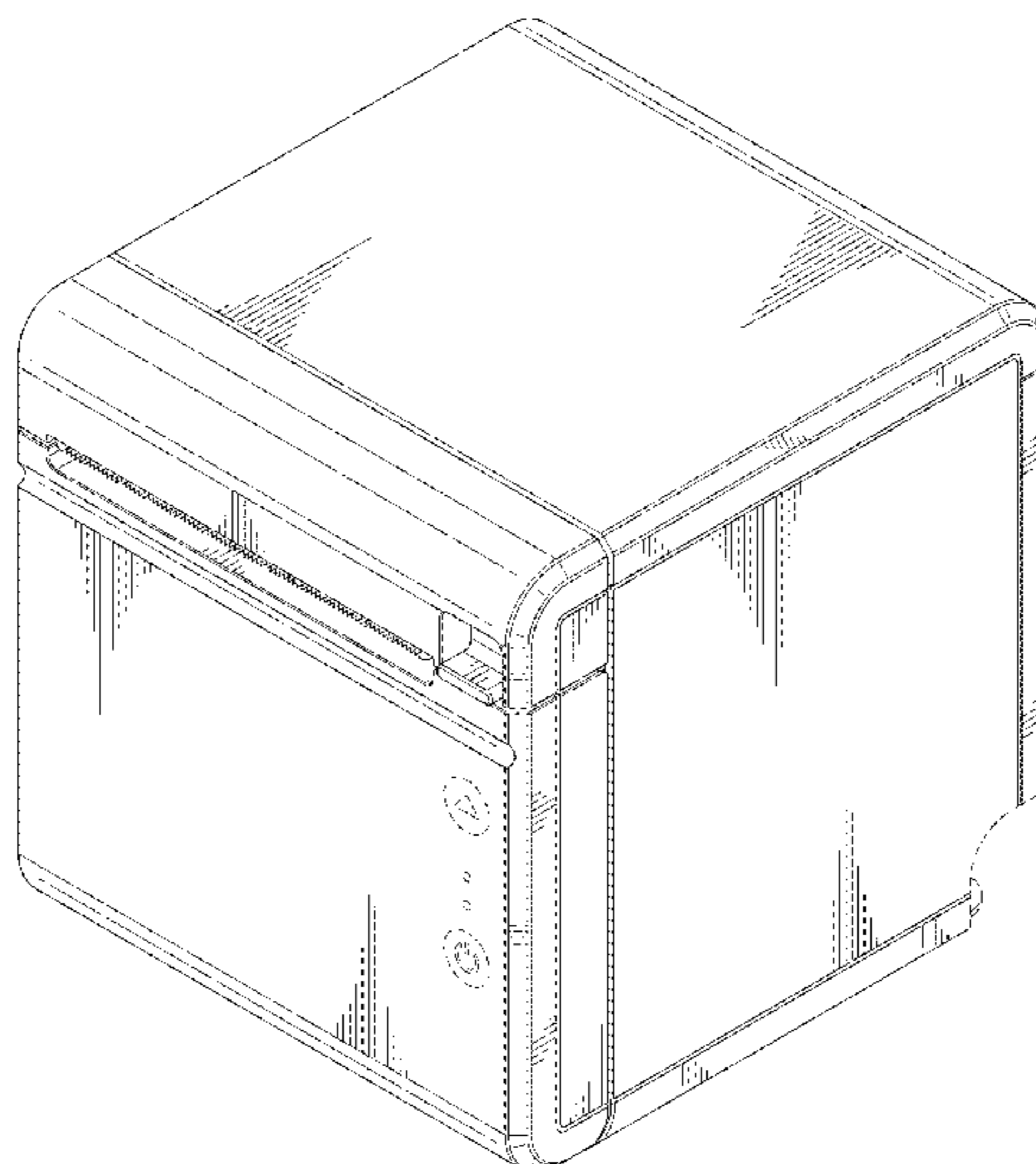
FIG. 7 is a bottom plan view thereof; and,

FIG. 8 is another perspective view thereof.

The broken lines in each of FIGS. 1-5, 7, and 8 show portions of the printer that form no part of the claimed design.

The surface shading and contour lines shown in FIGS. 1-8 represent the three-dimensional character and contour of the printer, and are not intended to limit the printer to any particular material, color, or surface decoration.

1 Claim, 8 Drawing Sheets



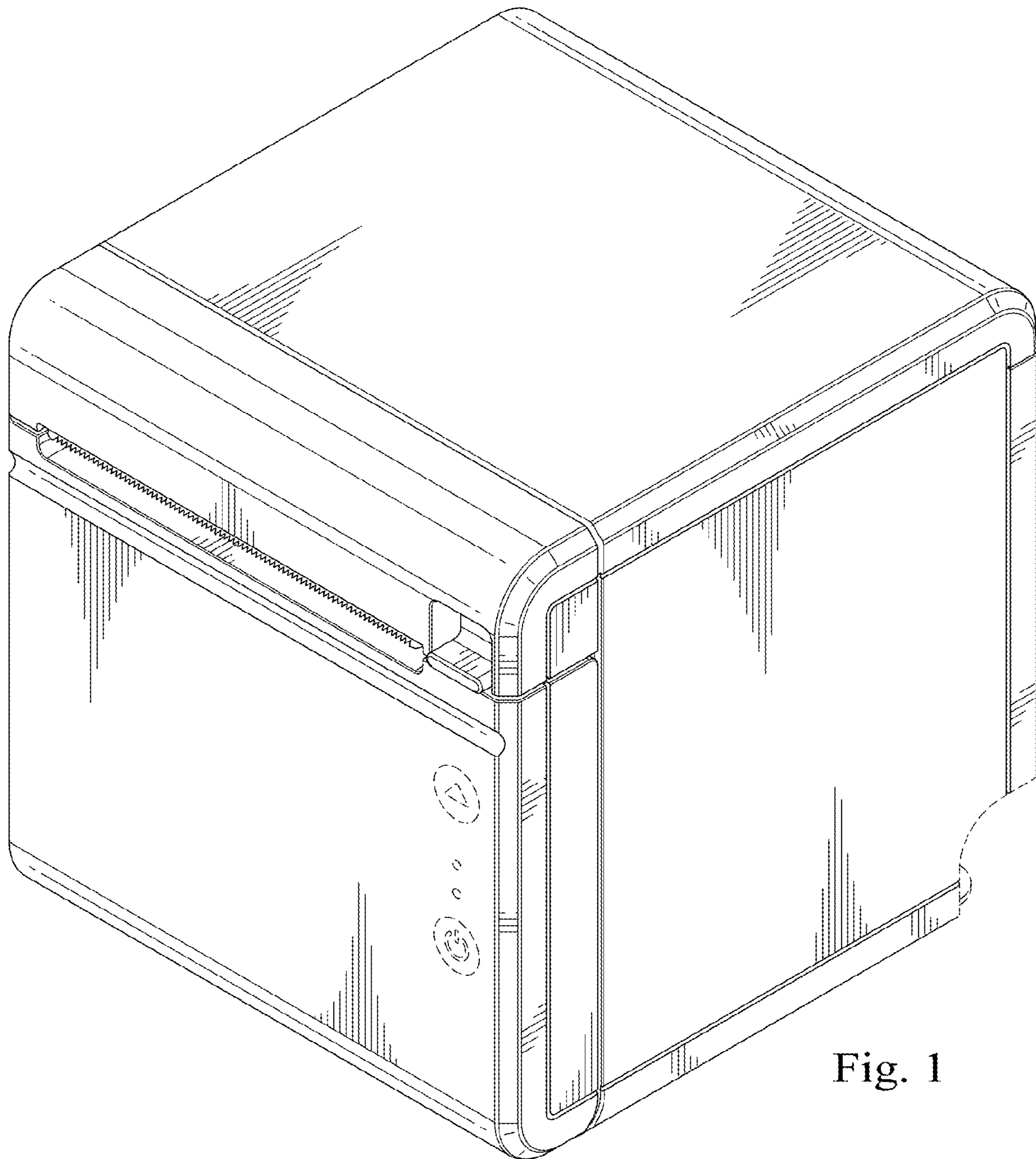


Fig. 1

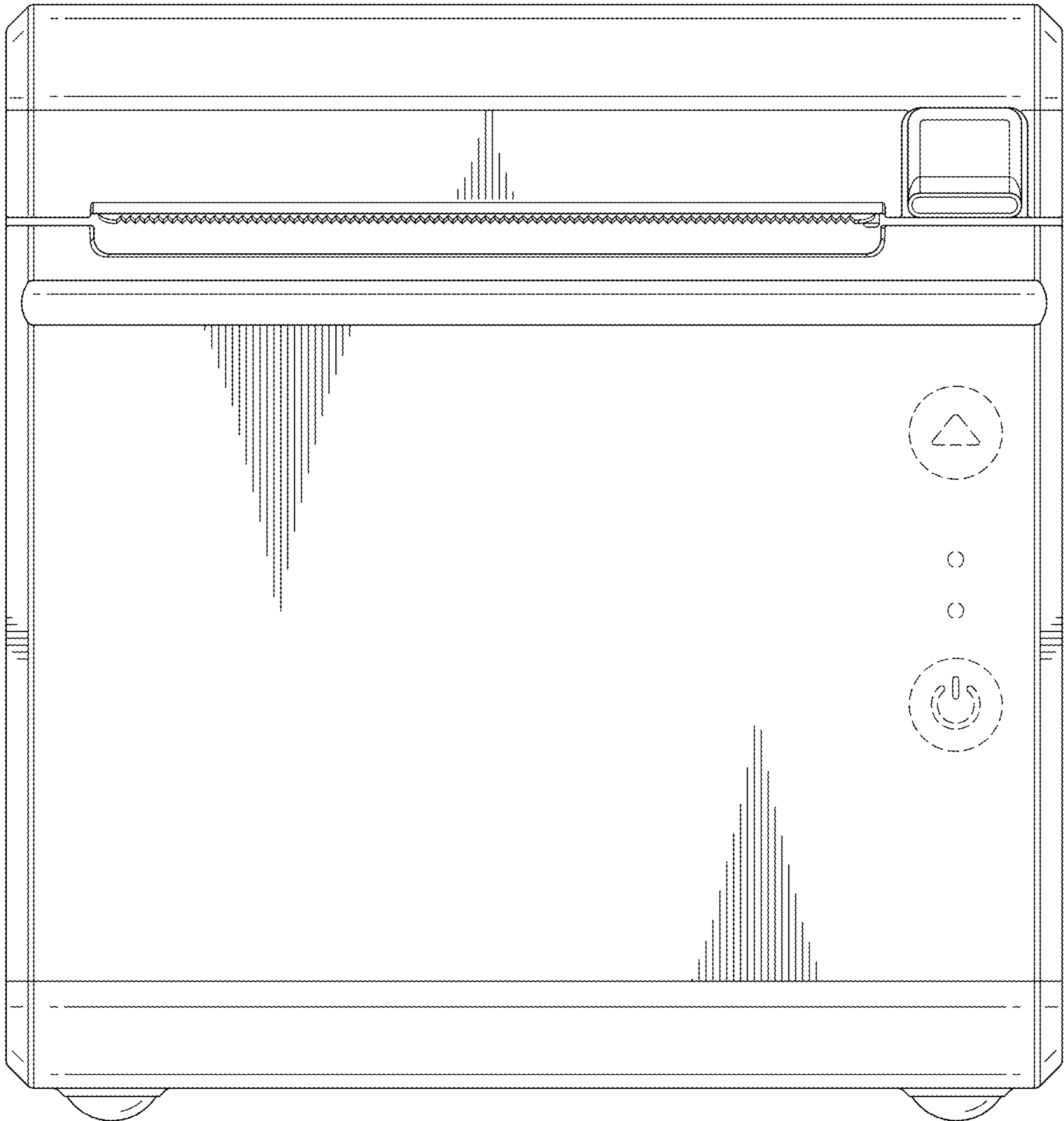


Fig. 2

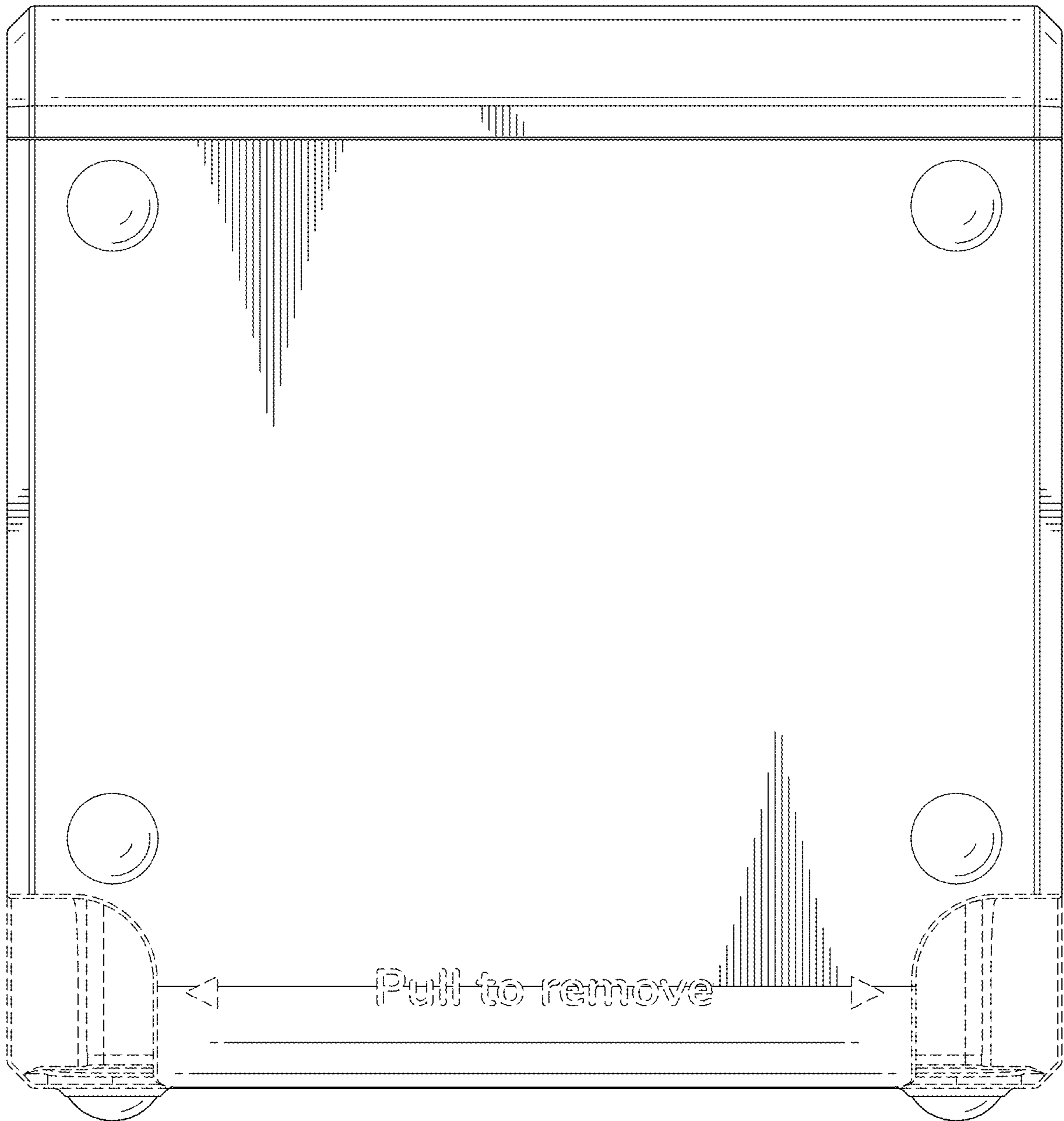


Fig. 3

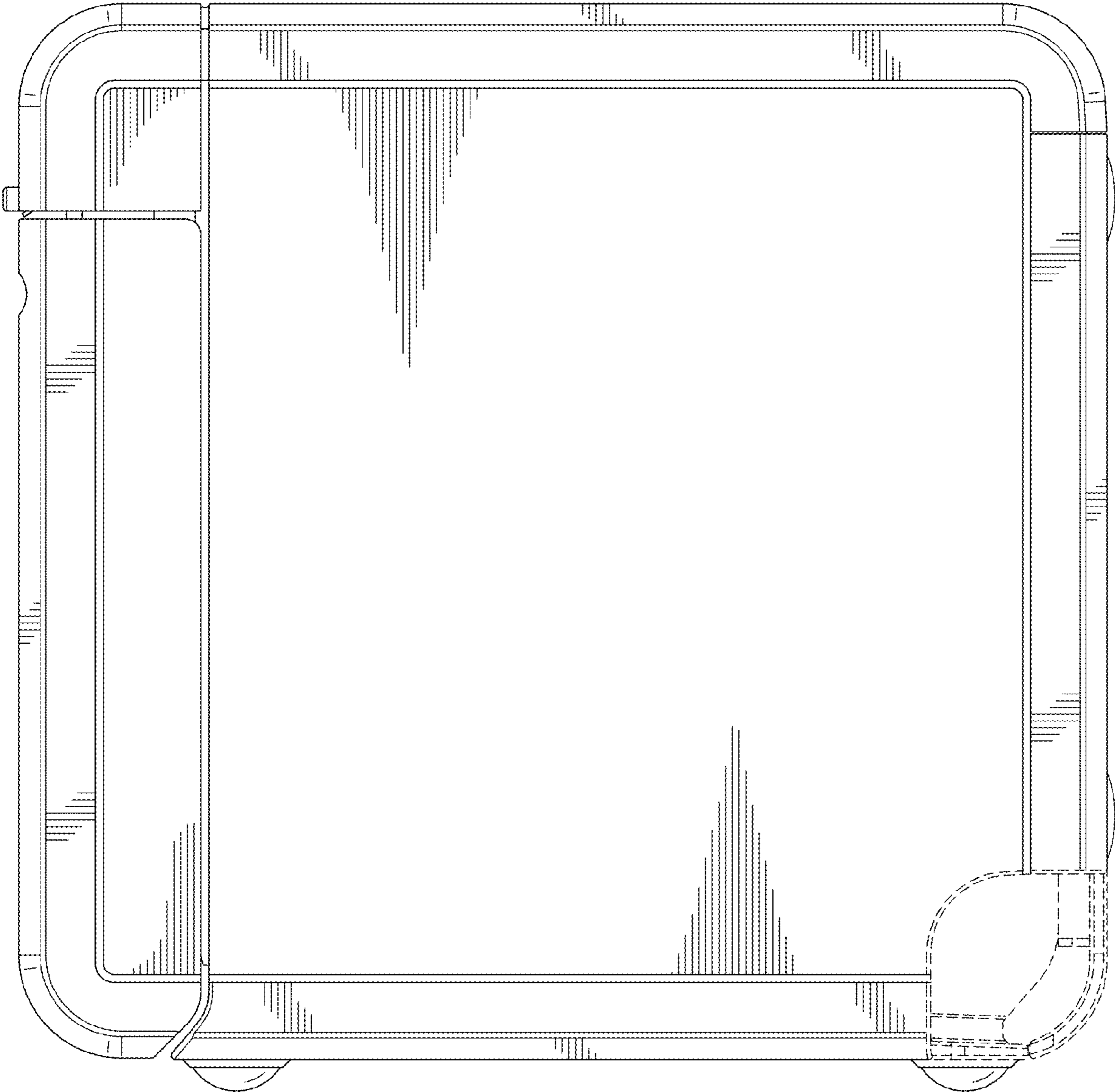


Fig. 4

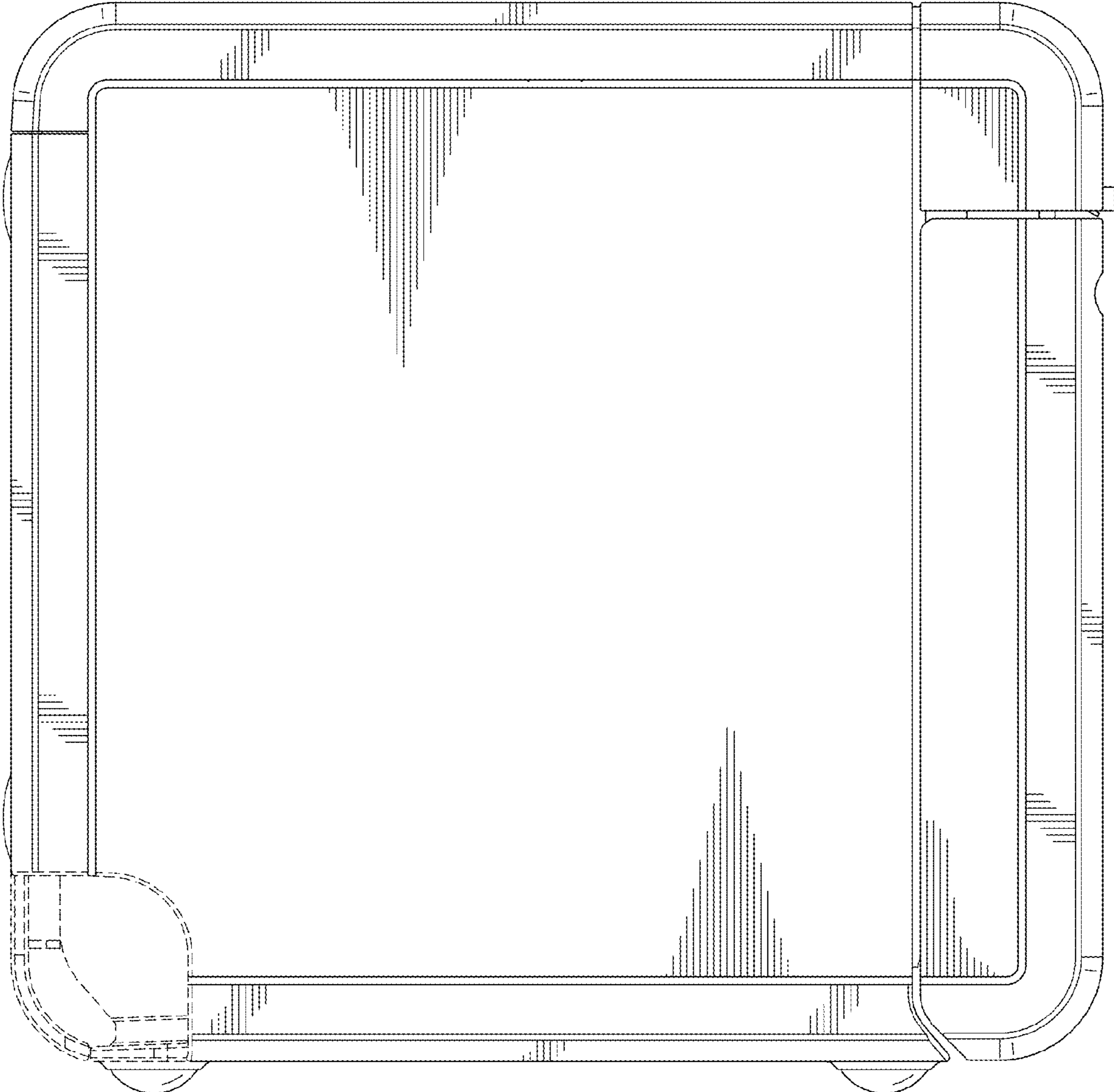


Fig. 5

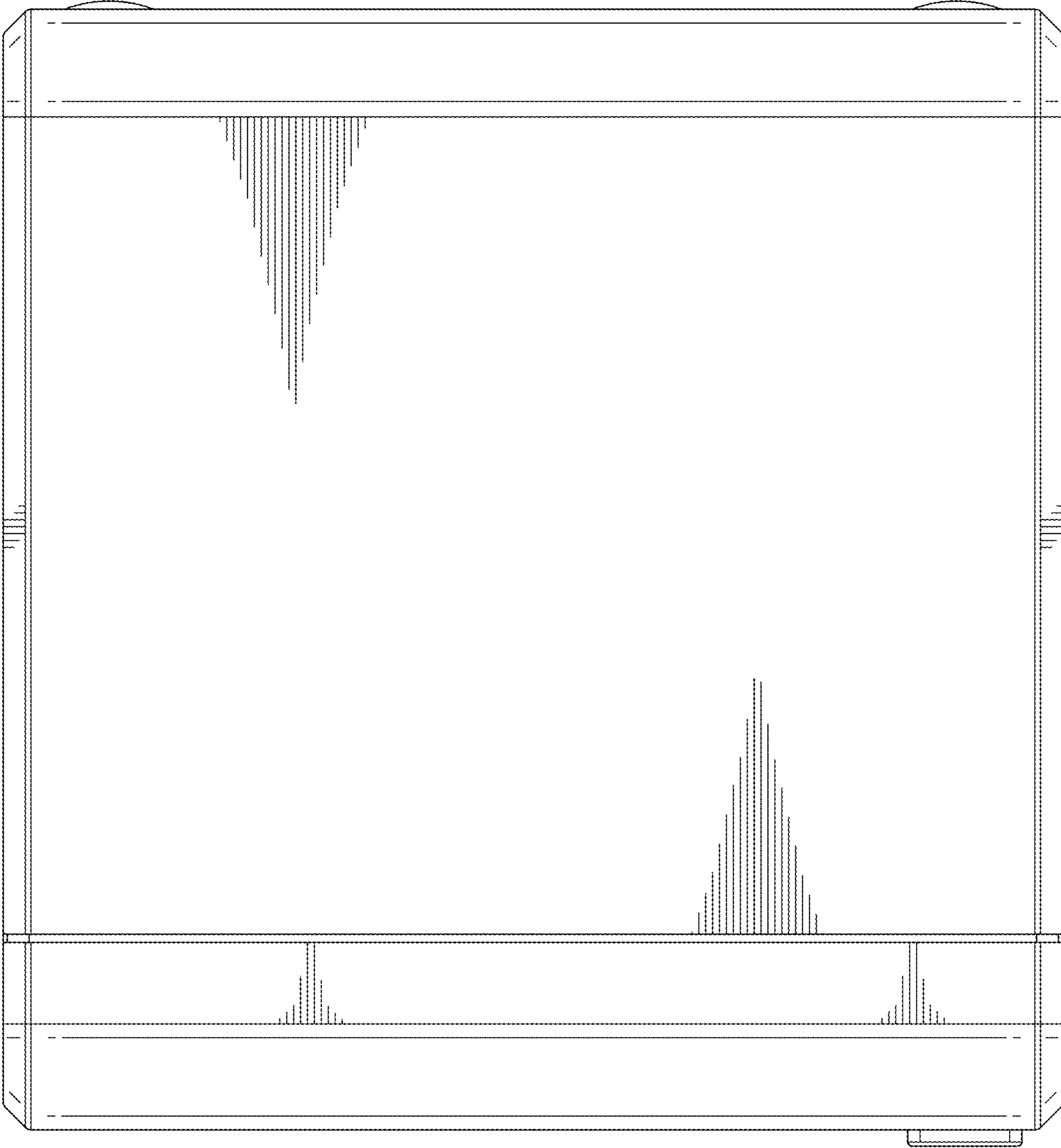


Fig. 6

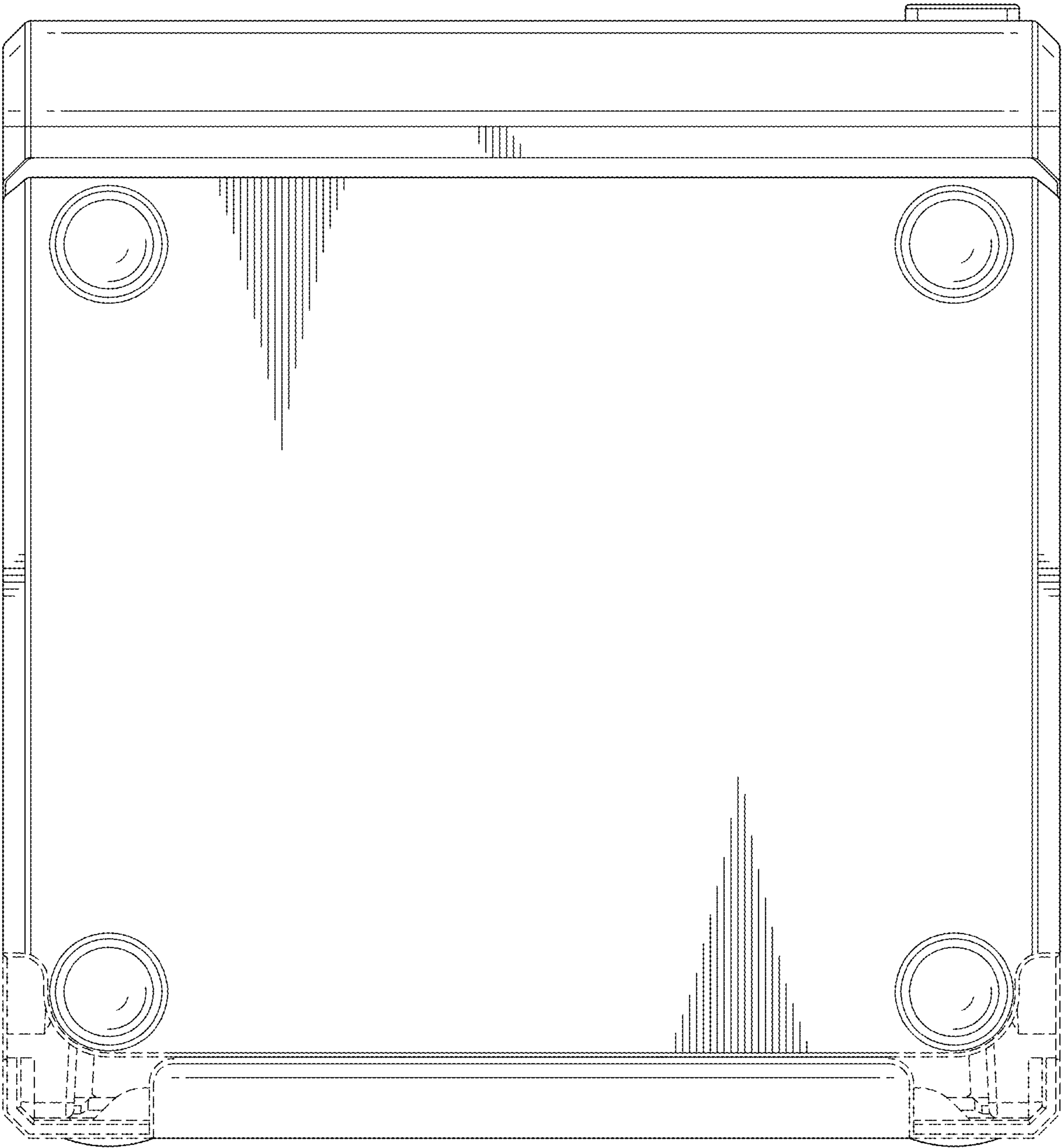


Fig. 7

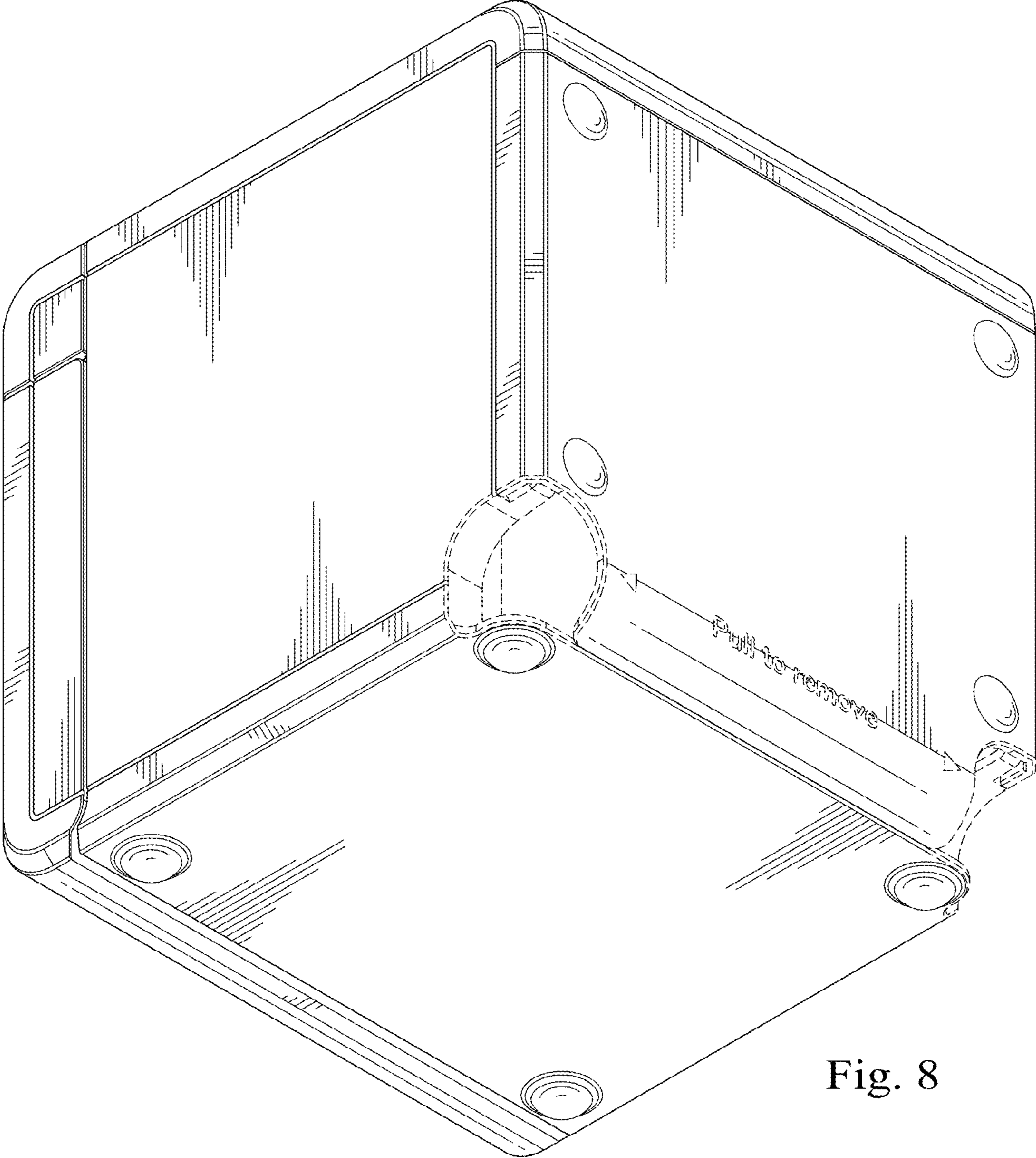


Fig. 8