

US00D942534S

(12) **United States Design Patent**  
**Al-Husseini**

(10) **Patent No.:** **US D942,534 S**

(45) **Date of Patent:** **\*\* Feb. 1, 2022**

(54) **CALCULATOR WITH ELECTRONIC TUBE DISPLAY AND KEYPAD**

(71) Applicant: **Mahdi Al-Husseini**, Douglasville, GA (US)

(72) Inventor: **Mahdi Al-Husseini**, Douglasville, GA (US)

(\*\*) Term: **15 Years**

(21) Appl. No.: **29/710,049**

(22) Filed: **Oct. 19, 2019**

(51) **LOC (13) Cl.** ..... **18-01**

(52) **U.S. Cl.**  
USPC ..... **D18/6**

(58) **Field of Classification Search**  
USPC ..... D18/6-11, 1, 2, 12, 4.1, 4.21; D14/314, D14/338, 339, 129, 455; D19/128, 60; D21/512; D13/180, 181  
CPC ..... G06F 3/037; G06F 3/153; G06G 3/00; G06G 3/02; G06G 3/04; G06K 15/1233; B41J 2/4476; H01J 17/49; H01J 17/491; H01J 2893/0069; G09G 3/10  
See application file for complete search history.

(56) **References Cited**

U.S. PATENT DOCUMENTS

1,560,103 A \* 11/1925 Schmierer ..... H01J 17/491 313/516  
1,974,888 A \* 9/1934 Barclay ..... H01J 5/54 315/36  
2,004,995 A \* 6/1935 Le Bel ..... H01J 17/491 315/246  
2,020,413 A \* 11/1935 Henninger, Jr. .... H01J 17/491 315/209 R  
2,073,599 A \* 3/1937 Malter ..... H01J 43/04 313/105 R  
2,108,487 A \* 2/1938 Henninger, Jr. .... H01J 17/491 313/520

2,118,000 A \* 5/1938 Wojtkowiak ..... H01J 17/491 313/520  
RE21,233 E \* 10/1939 Wojtkowiak ..... H01J 17/491 313/520  
D150,803 S \* 8/1948 Monor ..... D18/6  
D158,420 S \* 5/1950 Sullivan ..... D10/46.1  
D164,150 S \* 8/1951 Ayers ..... D18/6  
D165,564 S \* 12/1951 Van Veen ..... D18/6  
2,617,956 A \* 11/1952 Hamvas ..... H01J 25/56 313/158  
2,618,697 A \* 11/1952 Metcalf ..... H01J 17/491 345/41

(Continued)

OTHER PUBLICATIONS

Early Anita Desktop Calculators—ANITA Mk 8\_ (Online) 10 pgs. © 2002. [Retrieved Sep. 3, 2021] [http://www.anita-calculators.info/html/anita\\_mk\\_8.html](http://www.anita-calculators.info/html/anita_mk_8.html).\*

(Continued)

Primary Examiner — Marie D. Fast Horse

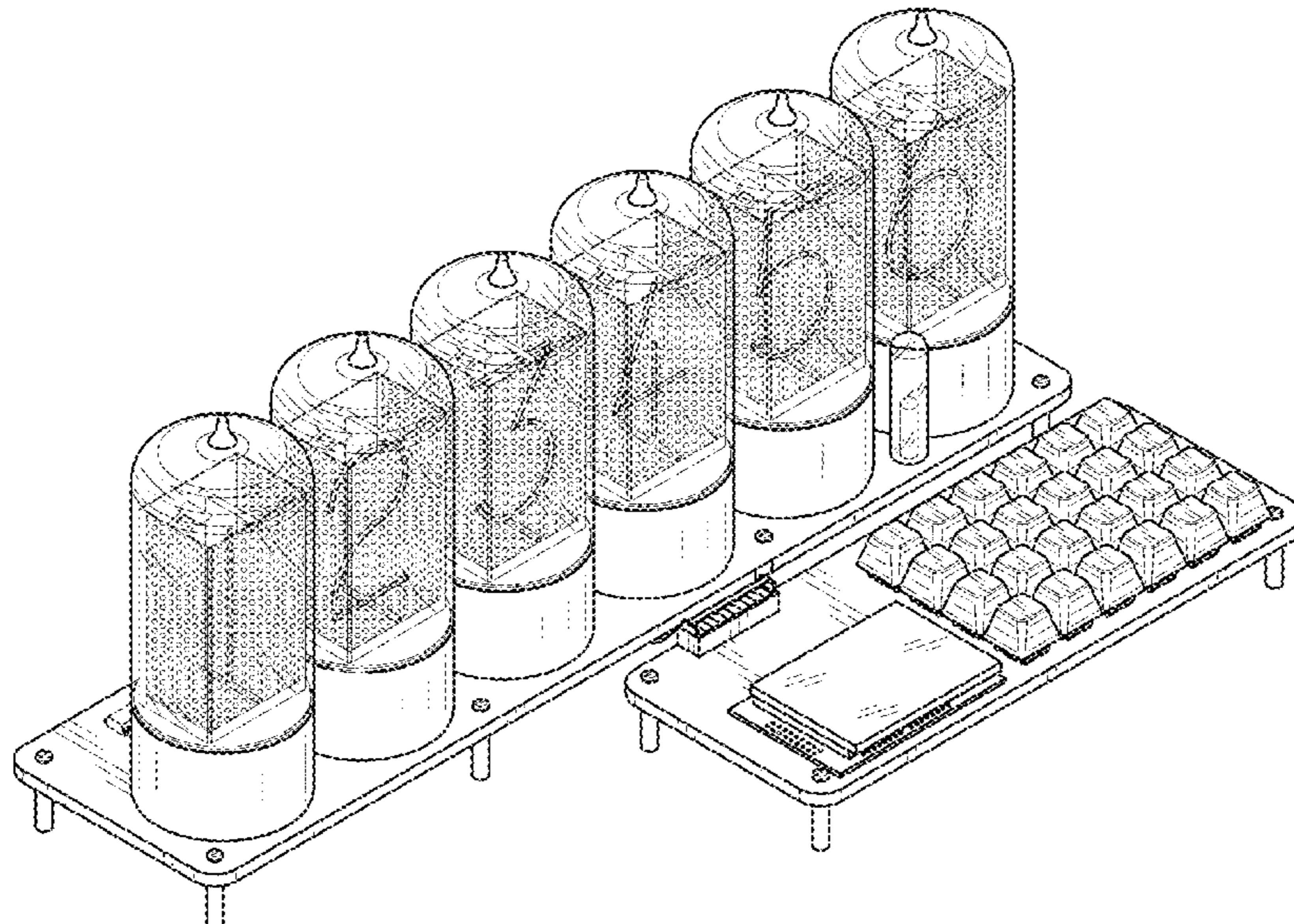
(57) **CLAIM**

The ornamental design for a calculator with electronic tube display and keypad, as shown and described.

**DESCRIPTION**

FIG. 1 is a perspective view of a calculator with electronic tube display and keypad showing my new design; FIG. 2 is a perspective view thereof; FIG. 3 is a side elevation view thereof; FIG. 4 is a side elevation view thereof; FIG. 5 is a side elevation view thereof; and, FIG. 6 is a top plan view thereof. The broken lines in the drawings depict portions of the calculator with electronic tube display and keypad that form no part of the claim.

**1 Claim, 6 Drawing Sheets**



(56)

References Cited

U.S. PATENT DOCUMENTS

2,632,128 A \* 3/1953 Hancock ..... H01J 17/491  
313/517  
2,695,134 A \* 11/1954 Sundstrand ..... G06C 25/00  
235/60.25  
2,723,365 A \* 11/1955 Williams ..... H01J 17/491  
315/205  
2,783,408 A \* 2/1957 Williams ..... H01J 17/491  
313/517  
2,785,488 A \* 3/1957 Brooks ..... G06M 1/28  
40/503  
2,814,001 A \* 11/1957 Maynard ..... H01J 17/491  
377/100  
2,906,906 A \* 9/1959 McCauley ..... H01J 17/49  
313/521  
3,113,235 A \* 12/1963 Porter ..... H01J 19/42  
313/285  
D203,989 S \* 3/1966 Wiggerman ..... D14/339  
3,283,204 A \* 11/1966 Boden ..... H01J 17/491  
315/58  
D209,672 S \* 12/1967 Takanashi ..... D14/129  
D210,212 S \* 2/1968 Sanborn ..... D14/338  
D215,659 S \* 10/1969 Brosdus et al. .... D14/338  
3,594,779 A \* 7/1971 Kitz ..... H01J 17/49  
345/43

3,641,501 A \* 2/1972 Lloyd ..... G06F 15/02  
708/130  
3,716,899 A \* 2/1973 Kerstetter ..... H01J 31/15  
445/33  
3,735,181 A \* 5/1973 Kobayakawa ..... H01J 17/491  
313/517  
D227,114 S \* 6/1973 Inatomi ..... D14/339  
3,846,662 A \* 11/1974 Hooker ..... H01J 31/15  
313/496  
D239,032 S \* 3/1976 Anderson ..... D14/339  
D371,787 S \* 7/1996 Sohn ..... D14/188  
D385,919 S \* 11/1997 Tomsen ..... D19/60  
D489,705 S \* 5/2004 Sabnani ..... D14/189  
D652,861 S \* 1/2012 van der Lande ..... D18/7  
D813,189 S \* 3/2018 Lundgard ..... D14/188  
D919,583 S \* 5/2021 Al-Husseini ..... D13/182

OTHER PUBLICATIONS

An Old Inspiration to Arithmetic—Mahdi Al-Husseini. (Online) 4  
pgs. spring 2019 <https://mahdial-husseini.com/AOITA>.  
Calculator Displays. (Online) 4 pgs. © 2000 [http://www.vintagecalculators.com/html/calculator\\_displays.html](http://www.vintagecalculators.com/html/calculator_displays.html).  
Calculator Collection—Computers\_13 IBM 701 from the year  
1953. (Online) 3 pgs. [ Retrieved Sep. 3, 2021] [http://www.calculatormuseum.nl/calculators/computers\\_IBM701.html](http://www.calculatormuseum.nl/calculators/computers_IBM701.html).

\* cited by examiner

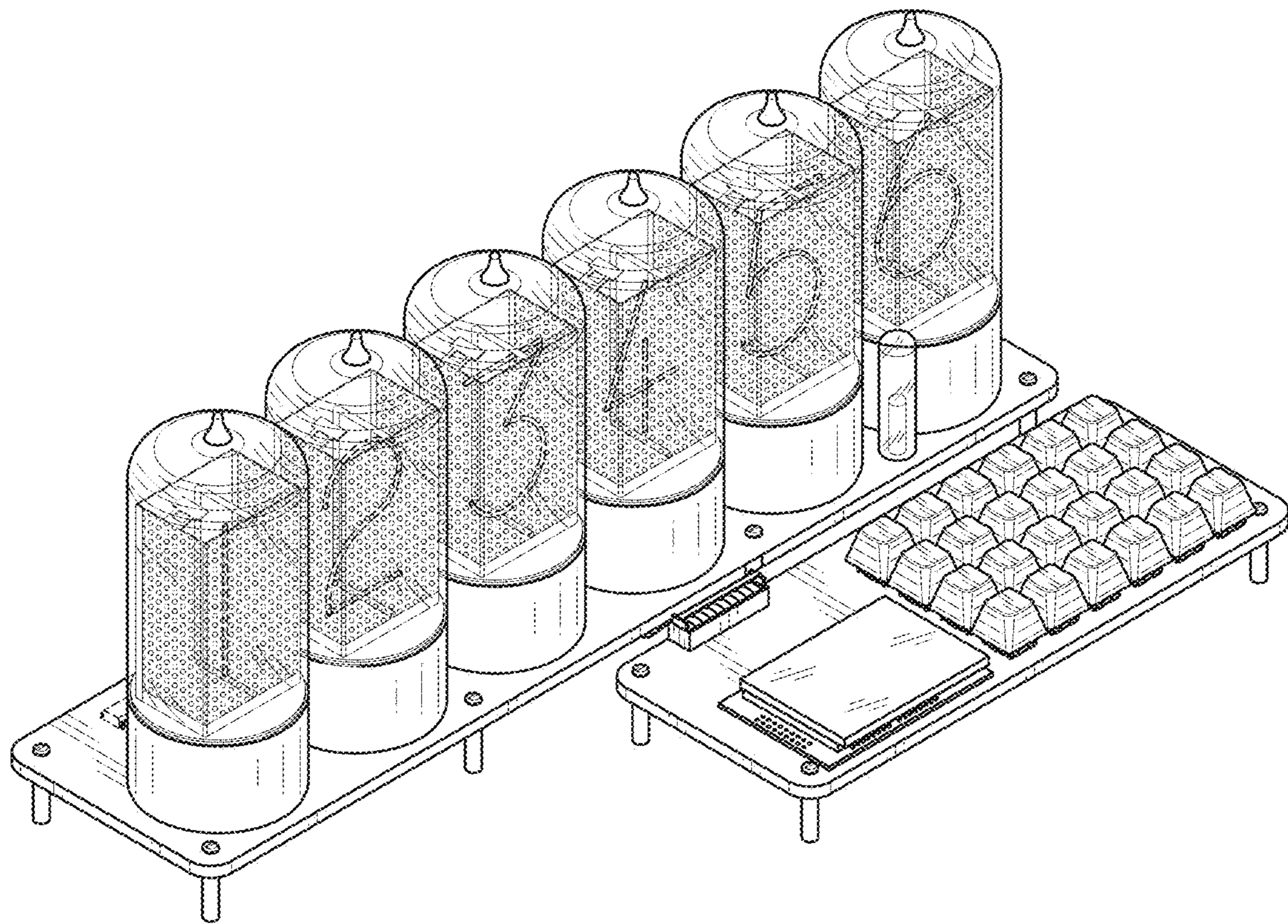


FIG. 1

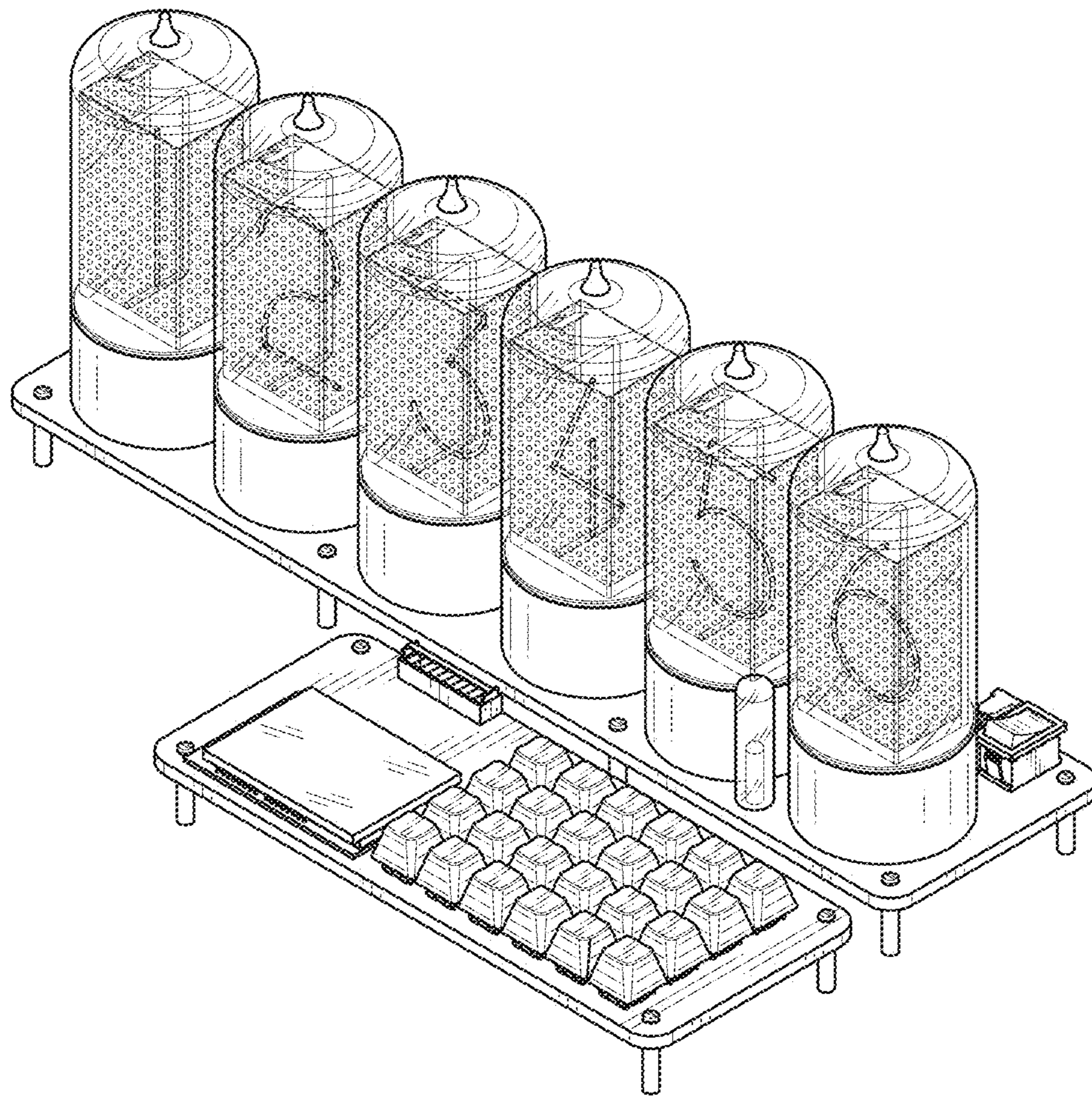


FIG. 2

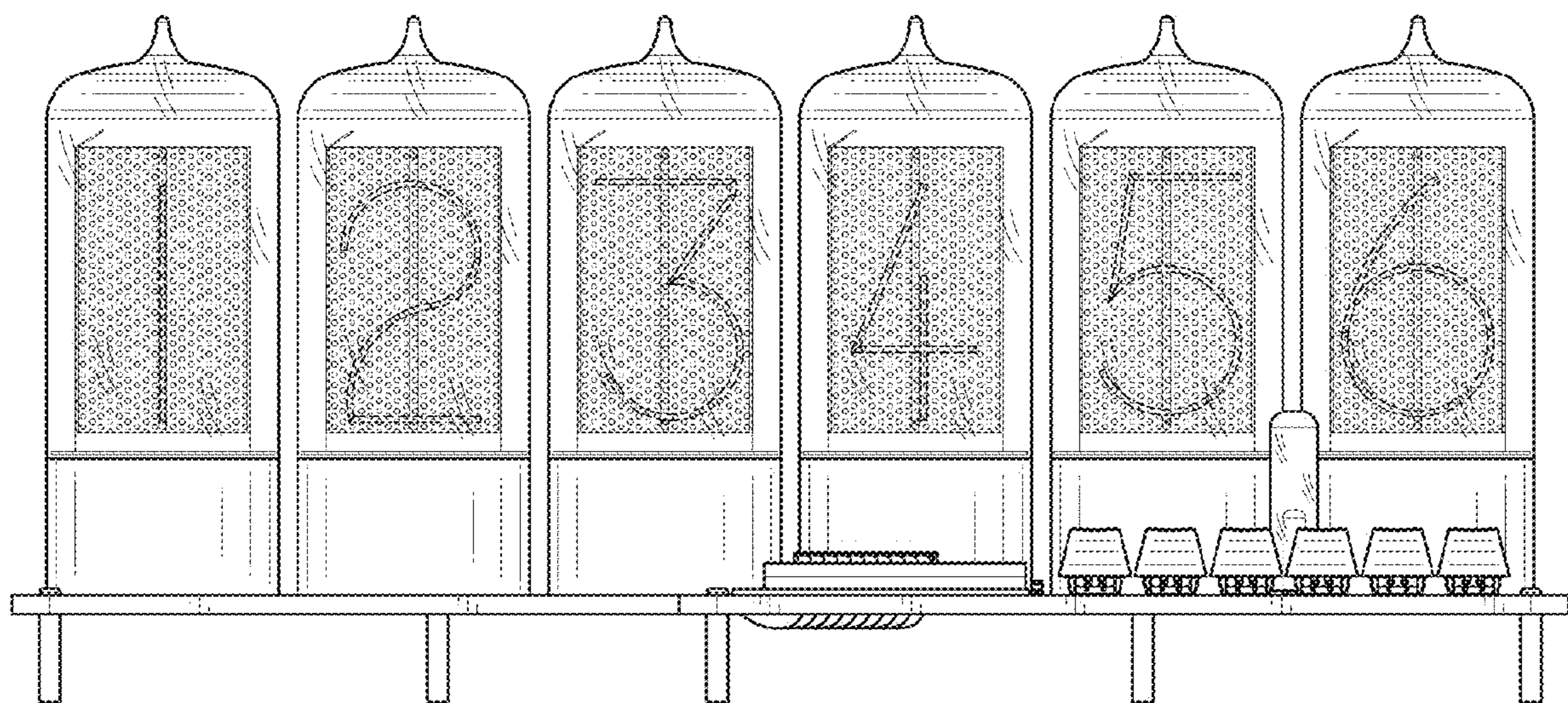


FIG. 3

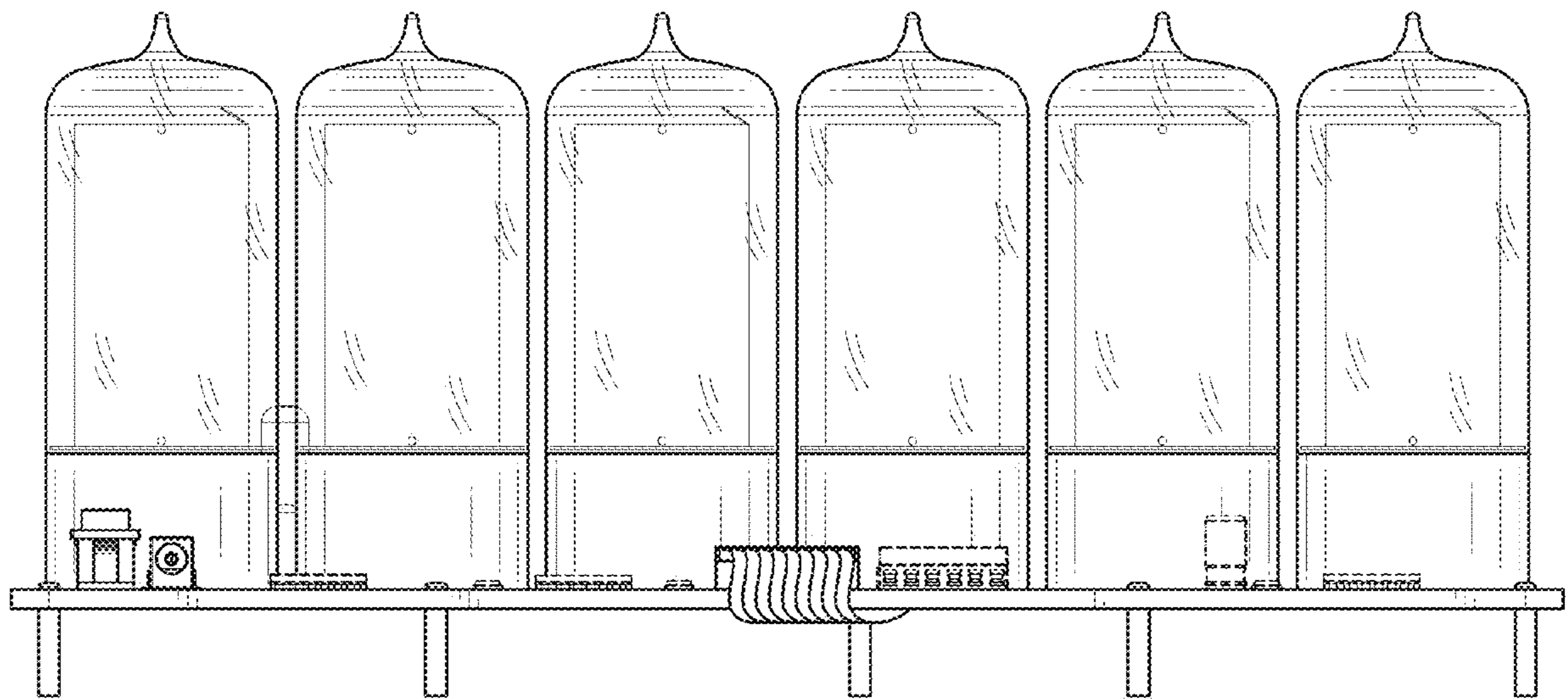


FIG. 4

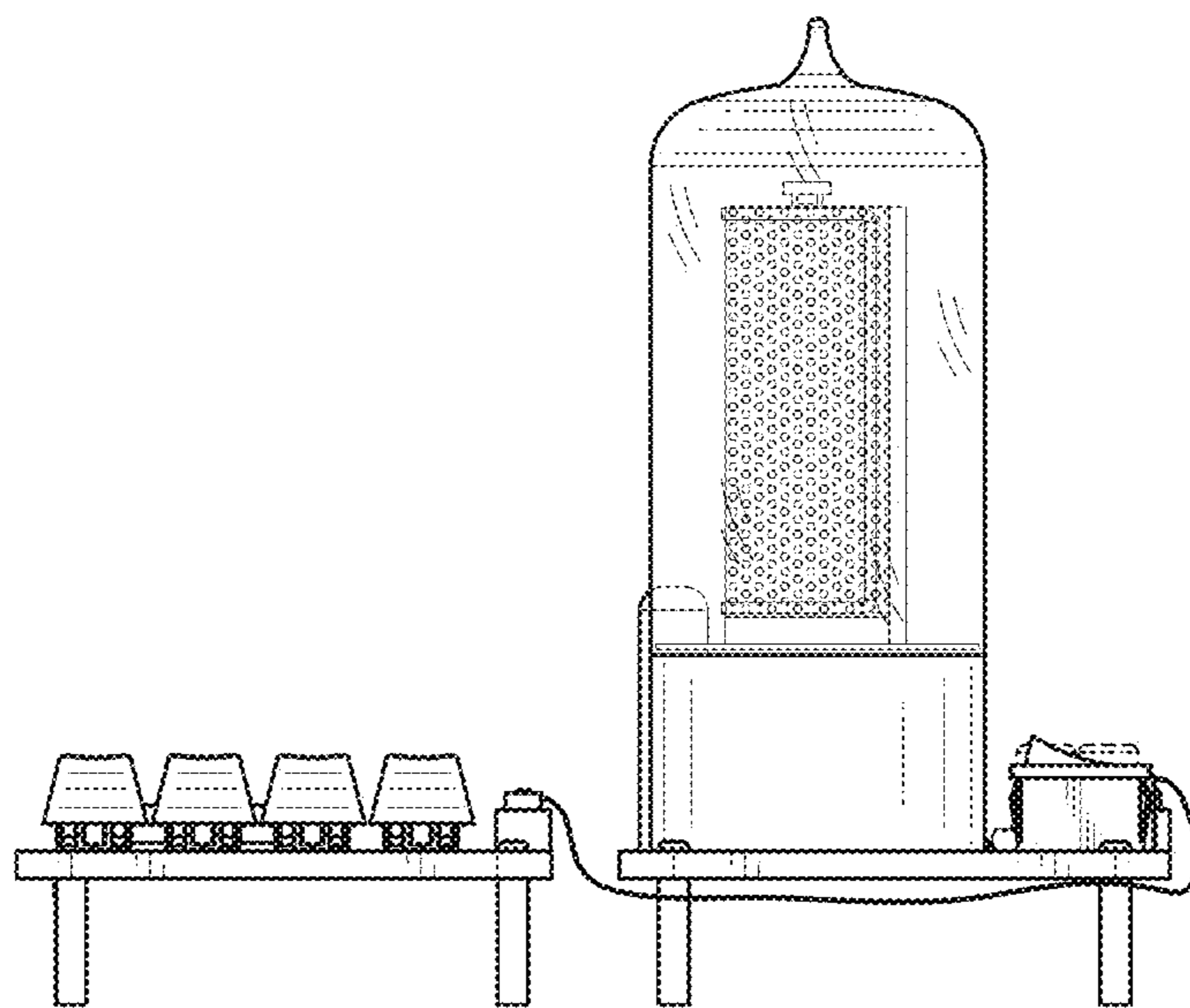


FIG. 5

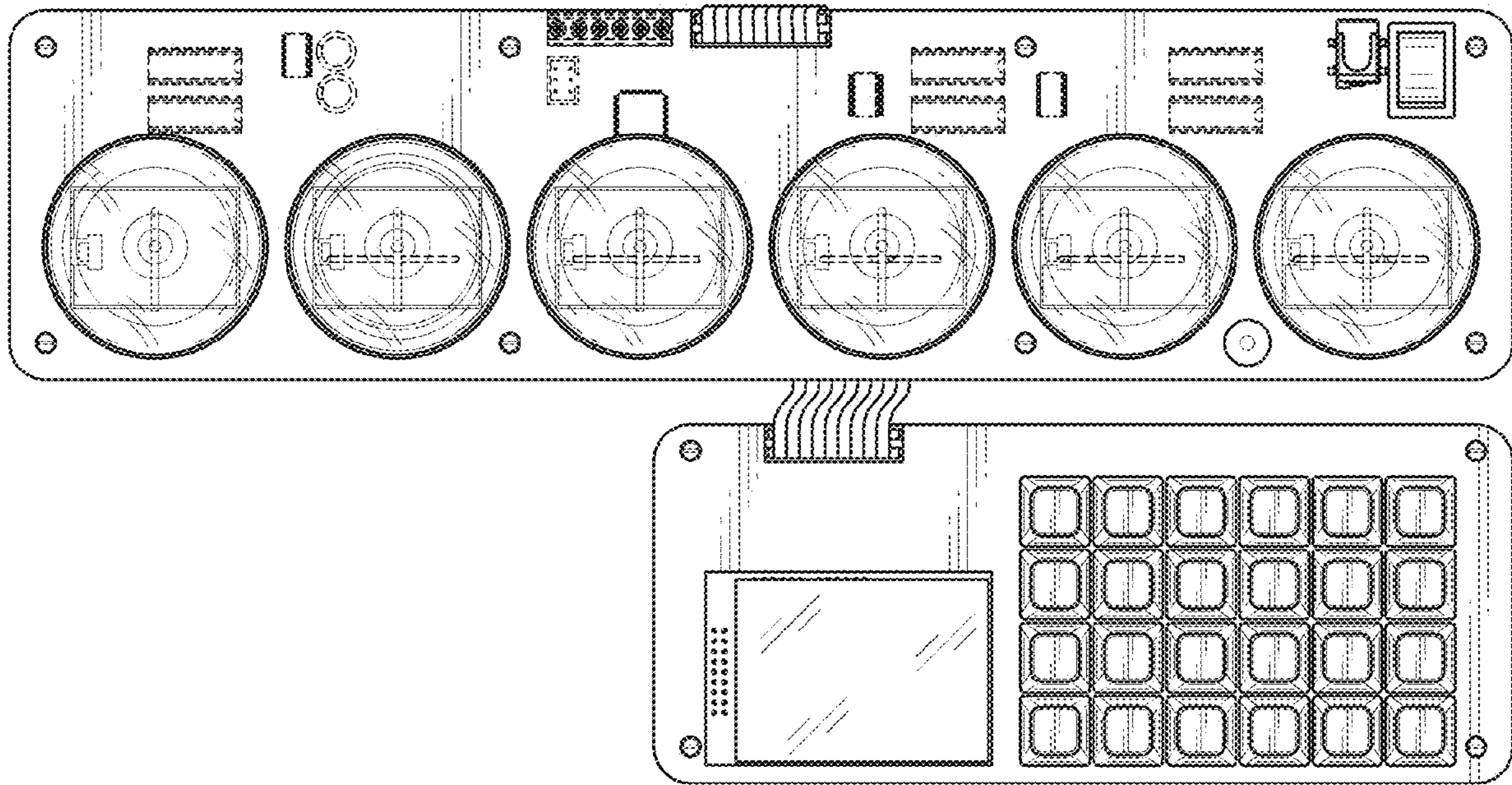


FIG. 6