



US00D942530S

(12) **United States Design Patent** (10) **Patent No.:** **US D942,530 S**
Arguello, Jr. (45) **Date of Patent:** **** Feb. 1, 2022**

(54) **GOGGLES**

D897,417 S * 9/2020 Ekonomi D16/313
2018/0289548 A1 10/2018 Wang
2018/0325736 A1 11/2018 O'Malley

(71) Applicant: **Fabio Arguello, Jr.**, Louisville, KY
(US)

(72) Inventor: **Fabio Arguello, Jr.**, Louisville, KY
(US)

(**) Term: **15 Years**

(21) Appl. No.: **29/736,678**

(22) Filed: **Jun. 2, 2020**

(51) **LOC (13) Cl.** **16-06**

(52) **U.S. Cl.**
USPC **D16/312; D16/313**

(58) **Field of Classification Search**
USPC D16/300, 304, 309, 310, 312-316
CPC G02C 7/10
See application file for complete search history.

(56) **References Cited**

U.S. PATENT DOCUMENTS

5,685,022	A	11/1997	Essman	
5,997,621	A	12/1999	Scholz	
D549,266	S *	8/2007	Shipcott	D16/312
D730,430	S *	5/2015	Tanguy	D16/312
9,351,880	B2	5/2016	McCulloch	
9,839,558	B2	12/2017	Blanchard	
9,918,876	B2	3/2018	Wilson	
9,999,545	B2	6/2018	McCulloch	
10,114,242	B2	10/2018	Magnusson	

OTHER PUBLICATIONS

Kroop's Original Racing Goggles, posted at amazon.com, posting date Dec. 26, 2019, [online], [site visited Oct. 22, 2021]. Available from Internet, URL: <https://www.amazon.com/Kroops-Original-Racing-Goggles-Activities/dp/B0723HFXC4?th=1> (Year: 2019).*
Kroop's VFR Goggles, posted at amazon.com, posting date Dec. 26, 2019, [online], [site visited Oct. 22, 2021]. Available from Internet, URL: <https://www.amazon.com/Kroops-VFR-Goggles-Activities-Protection/dp/B081HH2XHX/> (Year: 2019).*

* cited by examiner

Primary Examiner — George D. Kirschbaum
Assistant Examiner — Maria J. Edwards

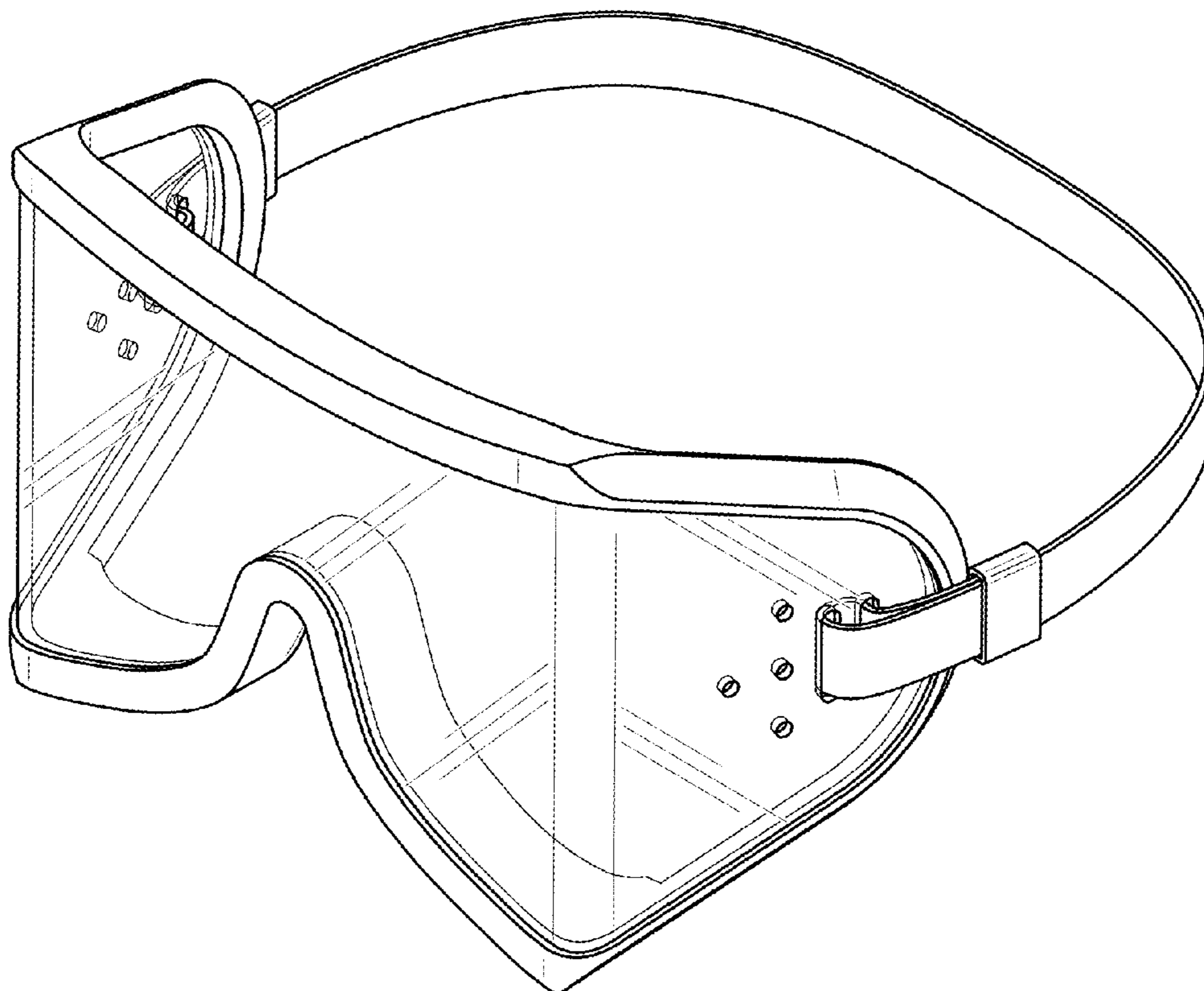
(57) **CLAIM**

The ornamental design for goggles, as shown and described.

DESCRIPTION

FIG. 1 is a front view of goggles showing my new design; FIG. 2 is a rear view of the goggles; FIG. 3 is a right side view of the goggles; FIG. 4 is a left side view of the goggles; FIG. 5 is a top view of the goggles; FIG. 6 is a bottom view of the goggles; and, FIG. 7 is a top front side perspective view of the goggles.

1 Claim, 5 Drawing Sheets



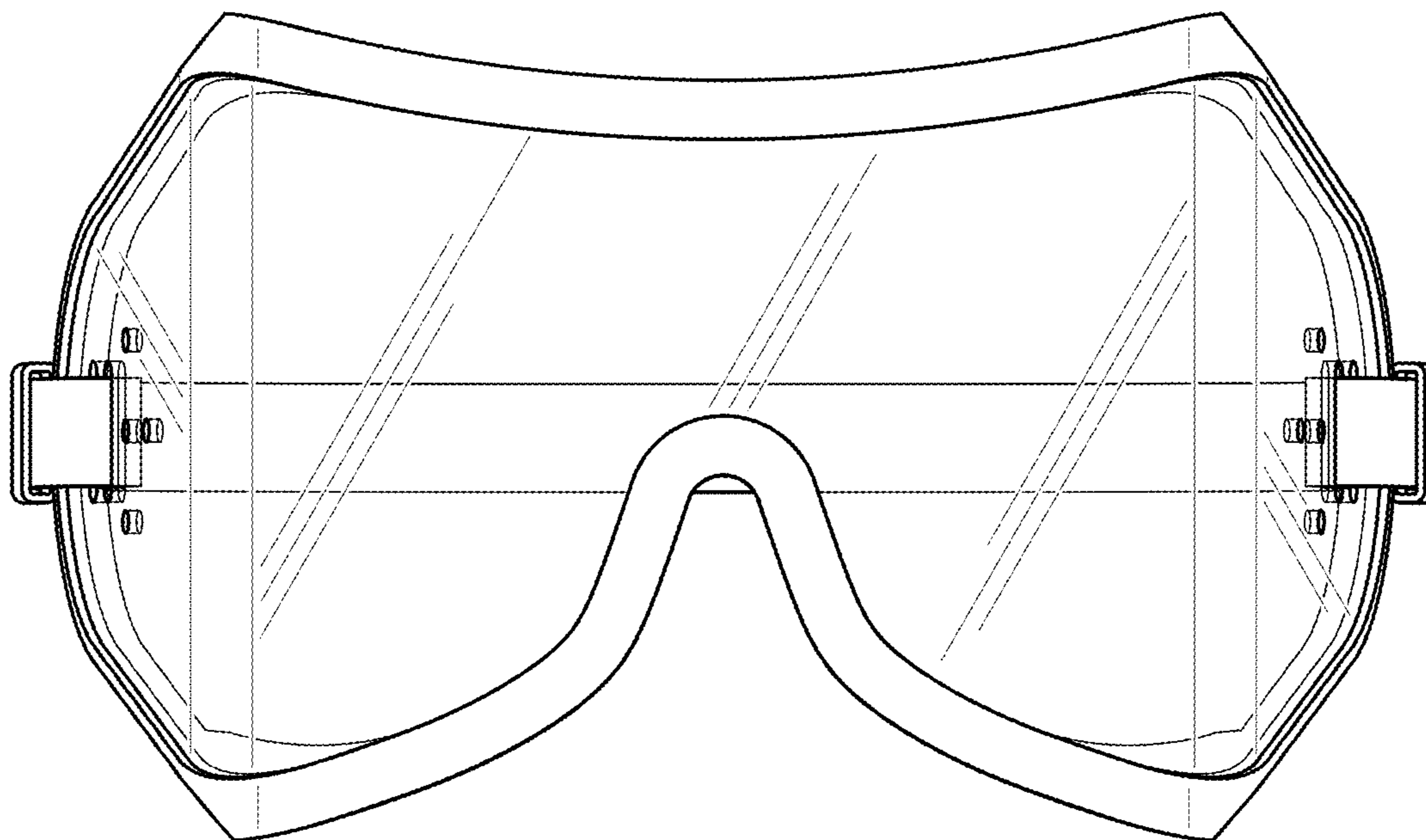


FIG. 1

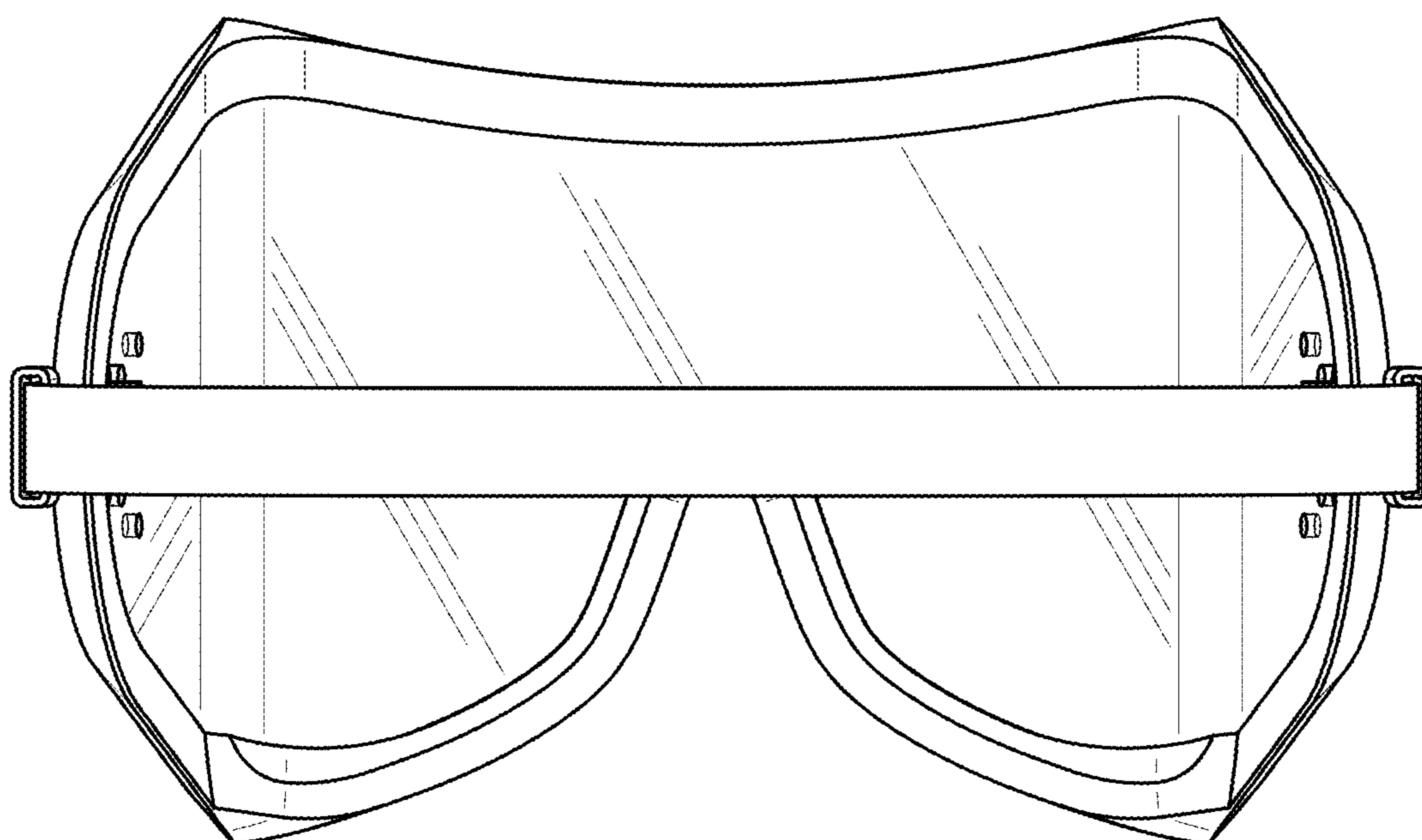


FIG. 2

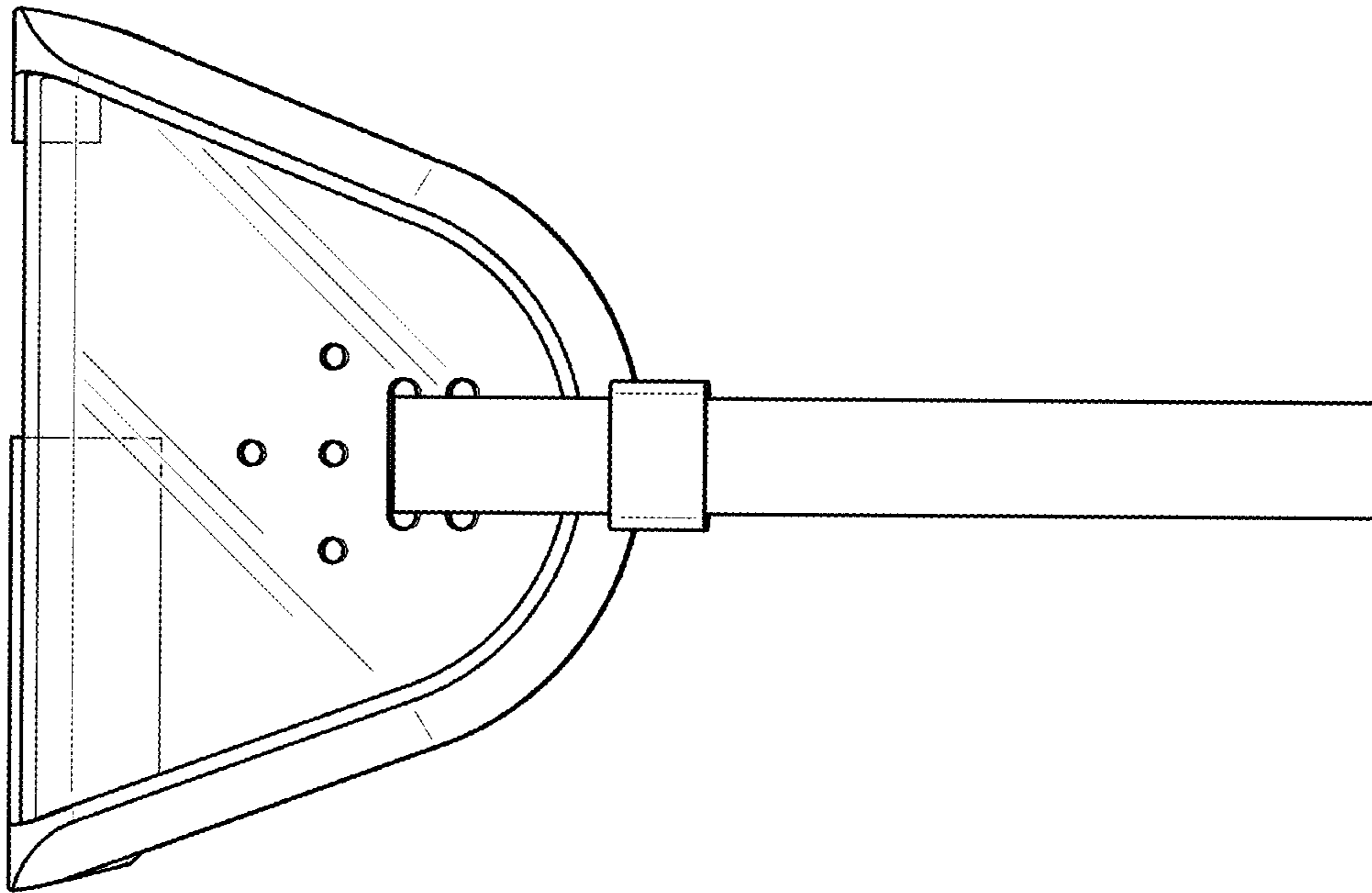


FIG. 3

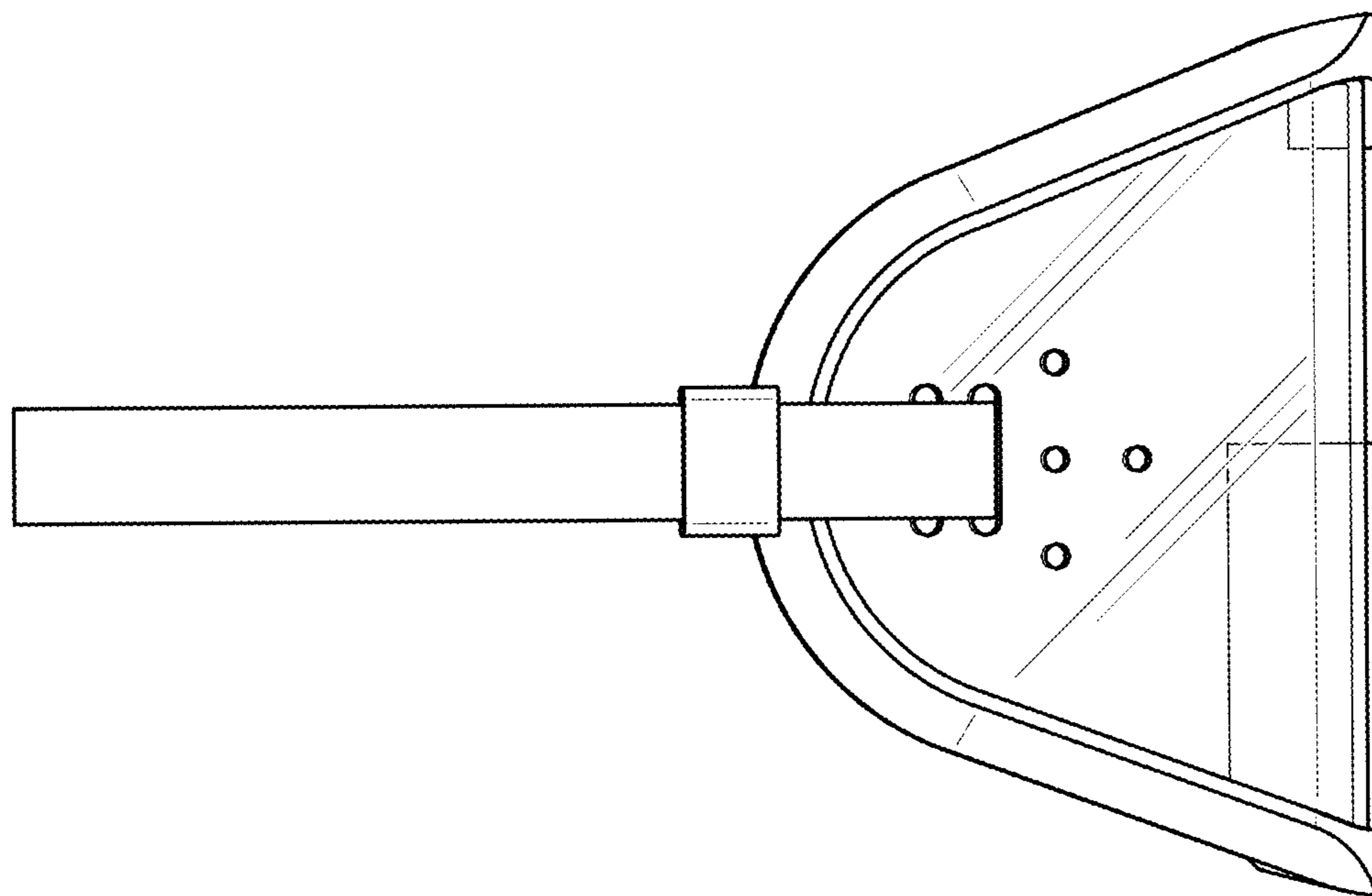


FIG. 4

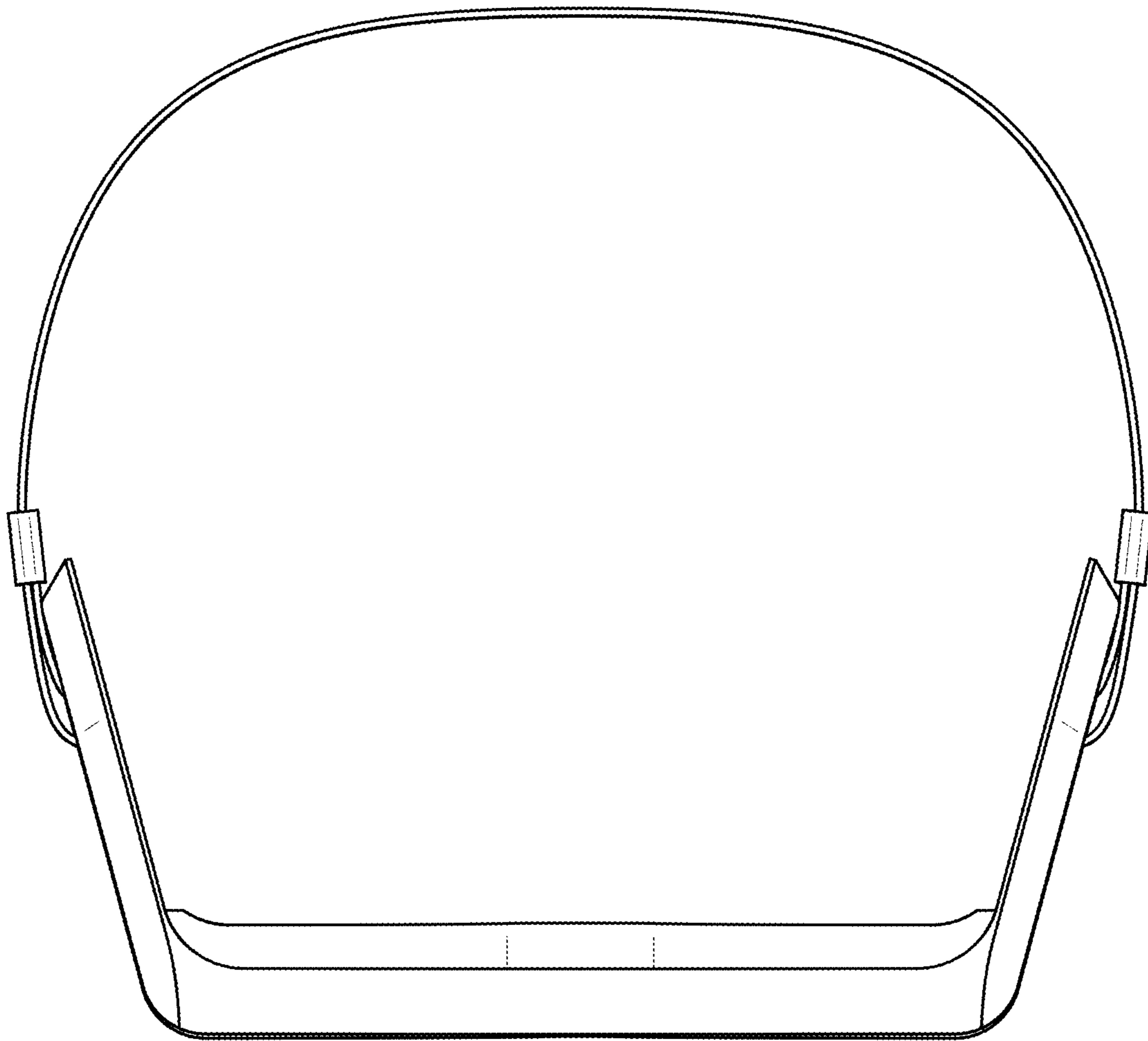


FIG. 5

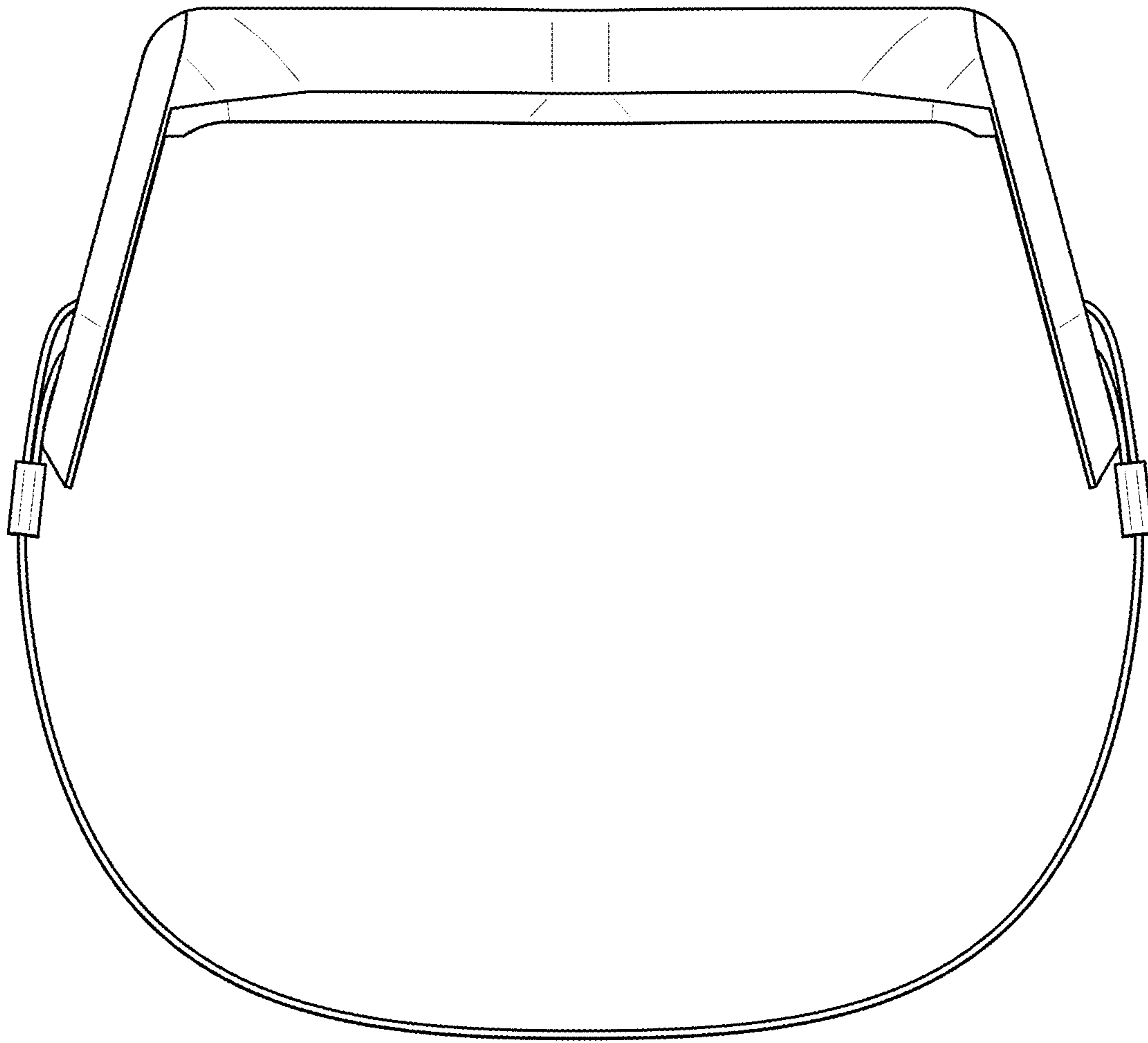


FIG. 6

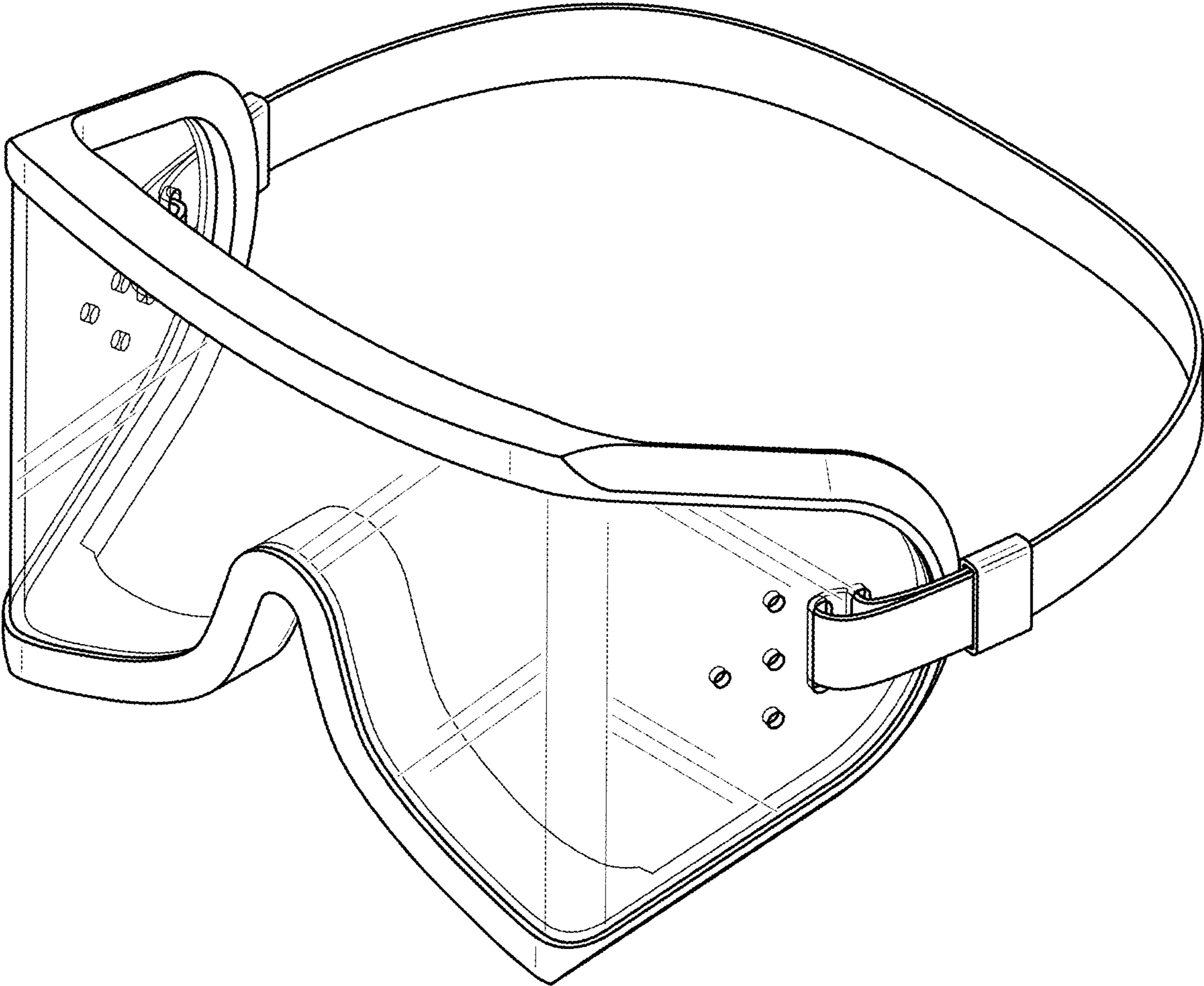


FIG. 7