



US00D942529S

(12) **United States Design Patent**
Lin

(10) **Patent No.:** **US D942,529 S**
(45) **Date of Patent:** **** Feb. 1, 2022**

(54) **TRIPOD**

(71) Applicant: **YUEQING YOUYOU**
E-COMMERCE CO., LTD., Yueqing
(CN)

(72) Inventor: **Dongdong Lin**, Yueqing (CN)

(73) Assignee: **YUEQING YOUYOU**
E-COMMERCE CO., LTD., Yueqing
(CN)

(**) Term: **15 Years**

(21) Appl. No.: **29/766,672**

(22) Filed: **Jan. 18, 2021**

(51) **LOC (13) Cl.** **16-05**

(52) **U.S. Cl.**
USPC **D16/244**

(58) **Field of Classification Search**
USPC D16/237, 242–245; D8/354, 355, 363,
D8/373, 382–383, 394–396; D14/224,
D14/229, 238, 251, 253, 451, 457;
D26/107, 108, 118
CPC G03B 17/56; G03B 17/561–566; G02B
7/00–002; H04N 5/2253–2254; A45F
2200/0508–0533
See application file for complete search history.

(56) **References Cited**

U.S. PATENT DOCUMENTS

D258,661 S *	3/1981	Shiraishi	D16/244
D263,147 S *	2/1982	Iwasaki	D16/244
D269,880 S *	7/1983	Iwasaki	D16/244
D276,730 S *	12/1984	Nakatani	D16/245
D333,479 S *	2/1993	Chun-Mao	D16/244
D343,851 S *	2/1994	Haung	D16/245
D343,852 S *	2/1994	Haung	D16/245
D616,913 S *	6/2010	Lee	D16/245
D807,421 S *	1/2018	Yin	D16/244

D829,266 S * 9/2018 Zeng D16/244
D829,267 S 9/2018 Zeng
10,139,039 B1 * 11/2018 Reed F16M 11/28
(Continued)

OTHER PUBLICATIONS

ZOMEI Professional 55" Aluminum Video Tripod Heavy Duty for Camera Camcorder. [online] Retrieved Dec. 3, 2021 from URL: <https://www.walmart.com/ip/ZOMEI-Professional-55-Aluminum-Video-Tripod-Heavy-Duty-for-Camera-Camcorder/777516263> (Year: 2021).*

(Continued)

Primary Examiner — Vy N Koenig

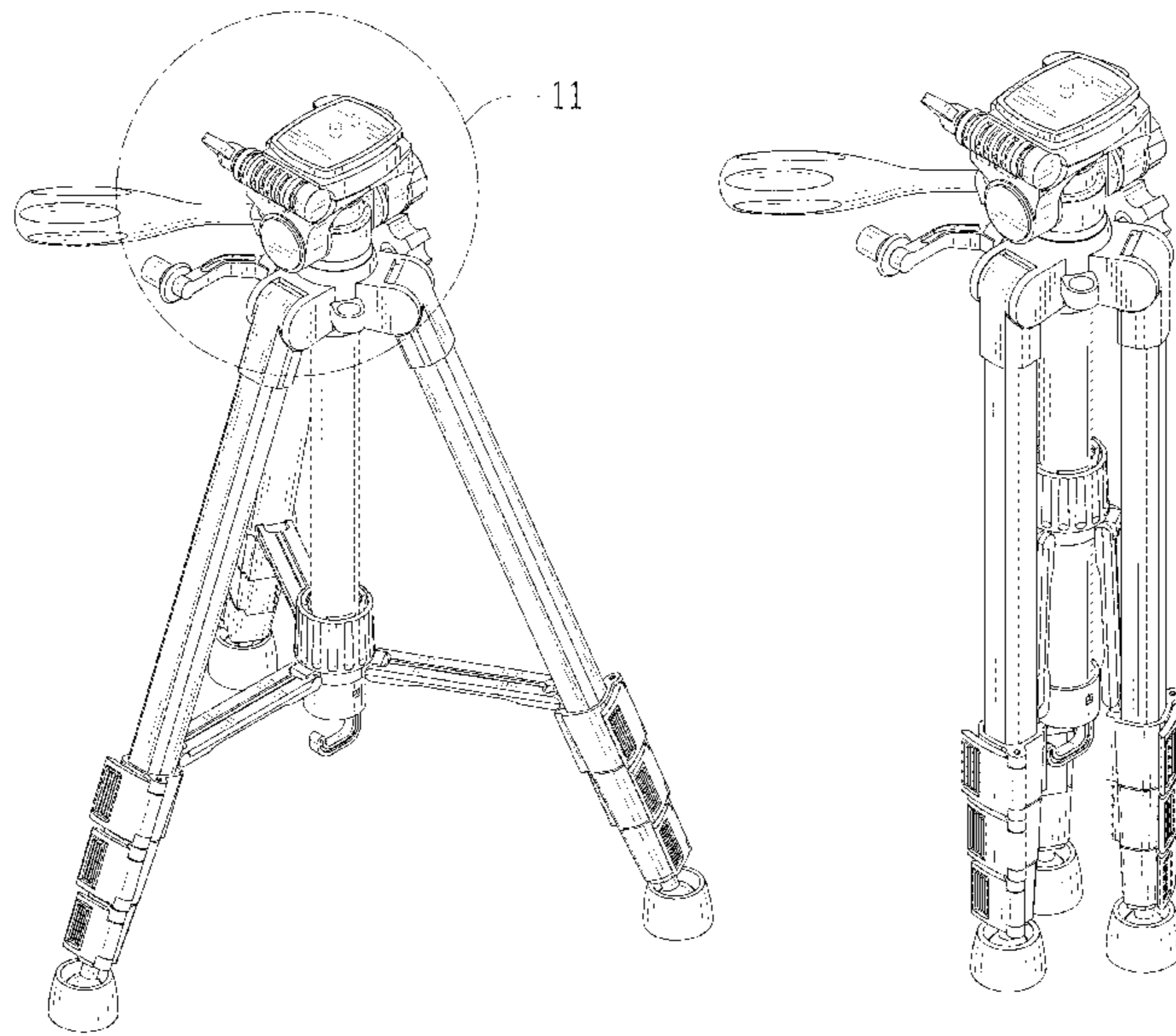
(57) **CLAIM**

The ornamental design for a tripod, as shown and described.

DESCRIPTION

FIG. 1 is a perspective view of a tripod showing my new design;
FIG. 2 is another perspective view thereof;
FIG. 3 is a front elevational view thereof;
FIG. 4 is a rear elevational view thereof;
FIG. 5 is a left side elevational view thereof;
FIG. 6 is a right side elevational view thereof;
FIG. 7 is a top plan view thereof;
FIG. 8 is a bottom plan view thereof;
FIG. 9 is a perspective view of the tripod where the tripod is in a first configuration of use;
FIG. 10 is a perspective view of the tripod where the tripod is in a second configuration of use;
FIG. 11 is an enlarged view of portion 11 shown in FIG. 1;
FIG. 12 is an enlarged view of portion 12 shown in FIG. 2;
and,
FIG. 13 is an enlarged view of portion 13 shown in FIG. 2.
The broken lines in the drawings depict portions of the tripod that form no part of the claimed design.

1 Claim, 13 Drawing Sheets



(56)

References Cited

U.S. PATENT DOCUMENTS

D864,282 S 10/2019 Liu
D901,749 S * 11/2020 Chen D26/106
D907,105 S * 1/2021 Ye D16/244
D929,023 S * 8/2021 Xiao D26/106
D929,024 S * 8/2021 Xiao D26/106

OTHER PUBLICATIONS

Kingjoy Portable Travel Aluminium Camera Tripod Stand with Pan Head. [online] Retrieved Dec. 3, 2021 from URL: <https://kingjoy.en.made-in-china.com/product/rwRaFVvMAYcL/China-Kingjoy-Portable-Travel-Aluminium-Camera-Tripod-Stand-with-Pan-Head.html> (Year: 2021).*

Review—Endurax Professional Camera Tripod ETR66. [online] Published Mar. 21, 2020. Retrieved from URL: <https://www.widescenes.com/review-endurax-professional-camera-tripod-etr66/> (Year: 2020).*

* cited by examiner

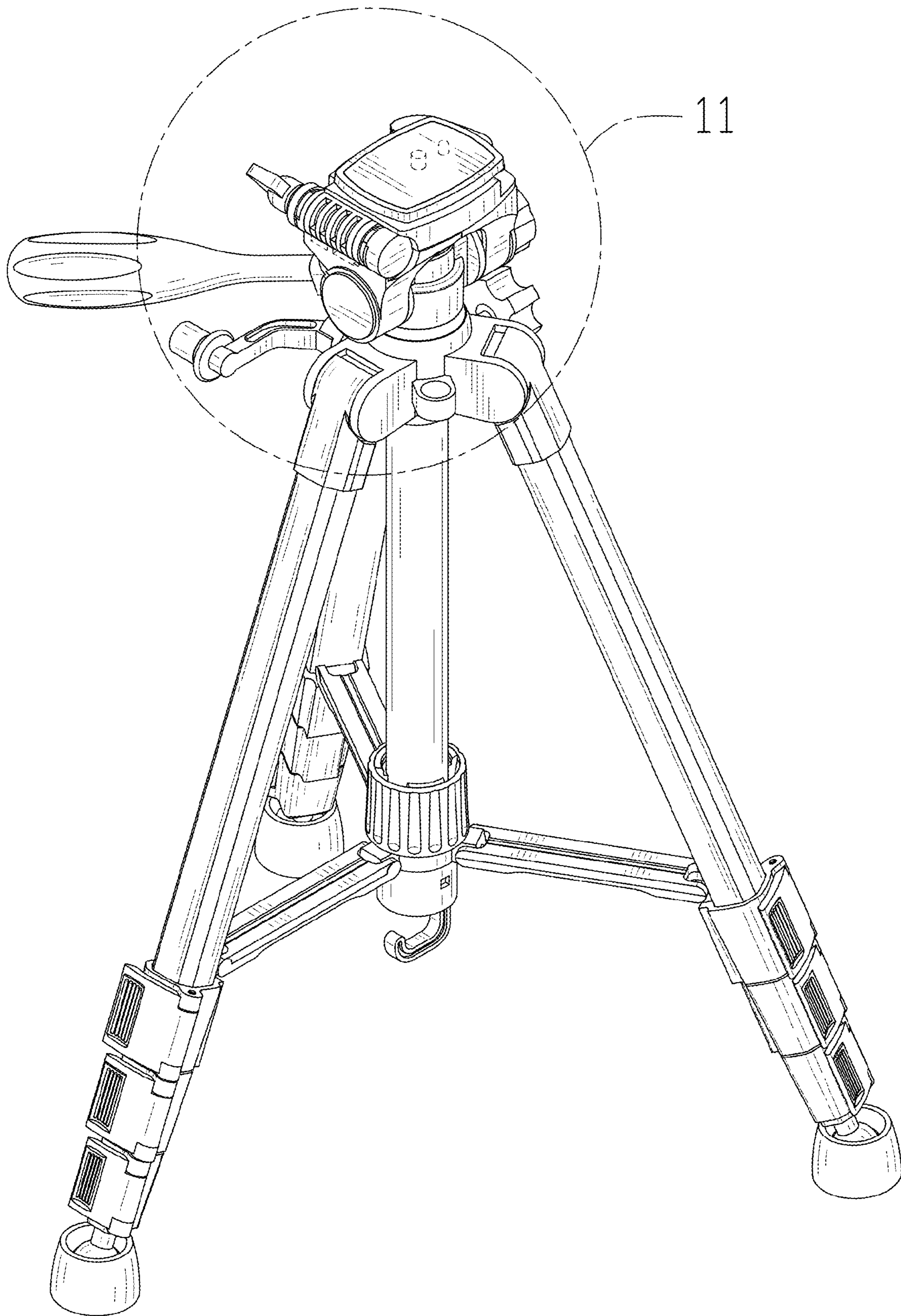


FIG. 1

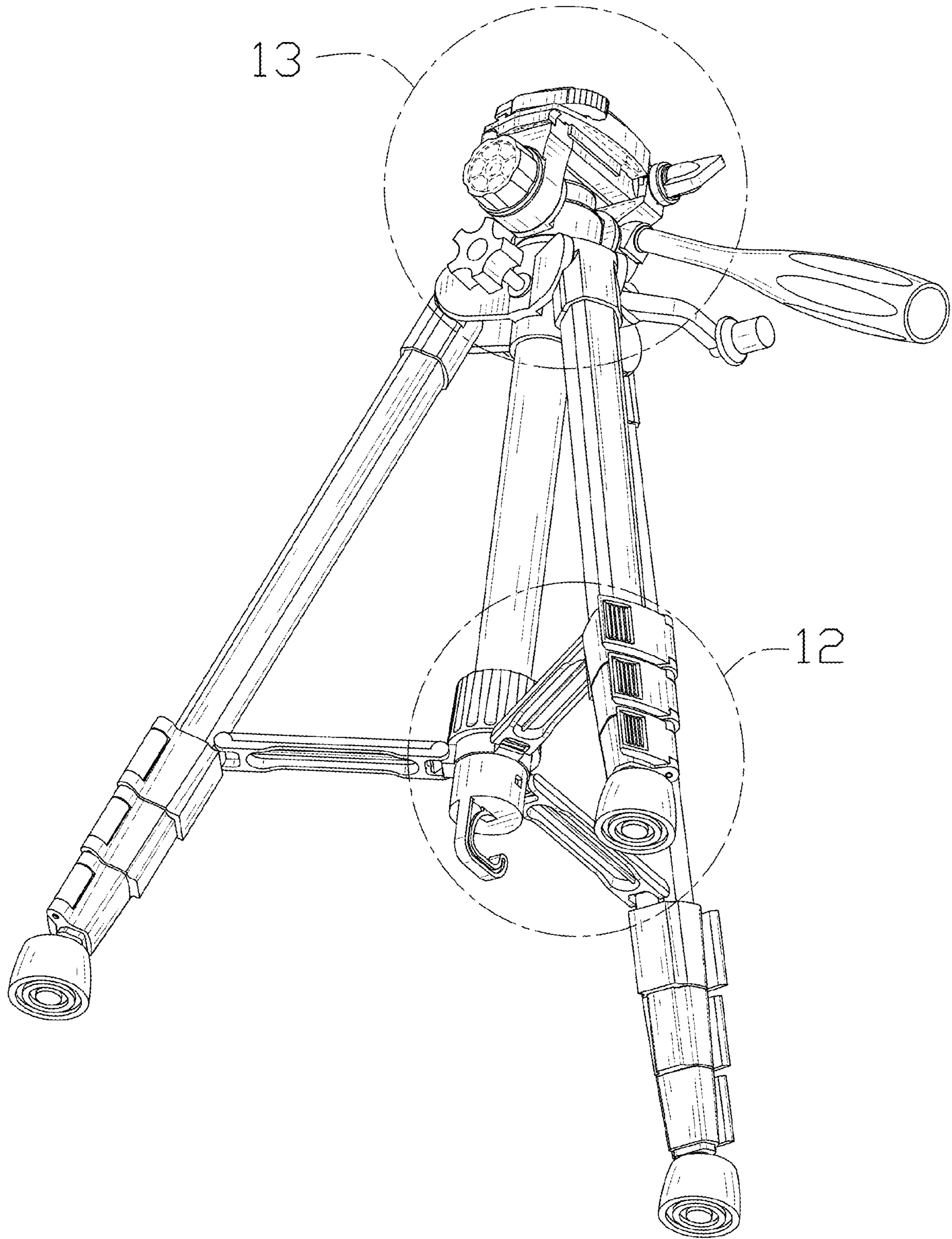


FIG. 2

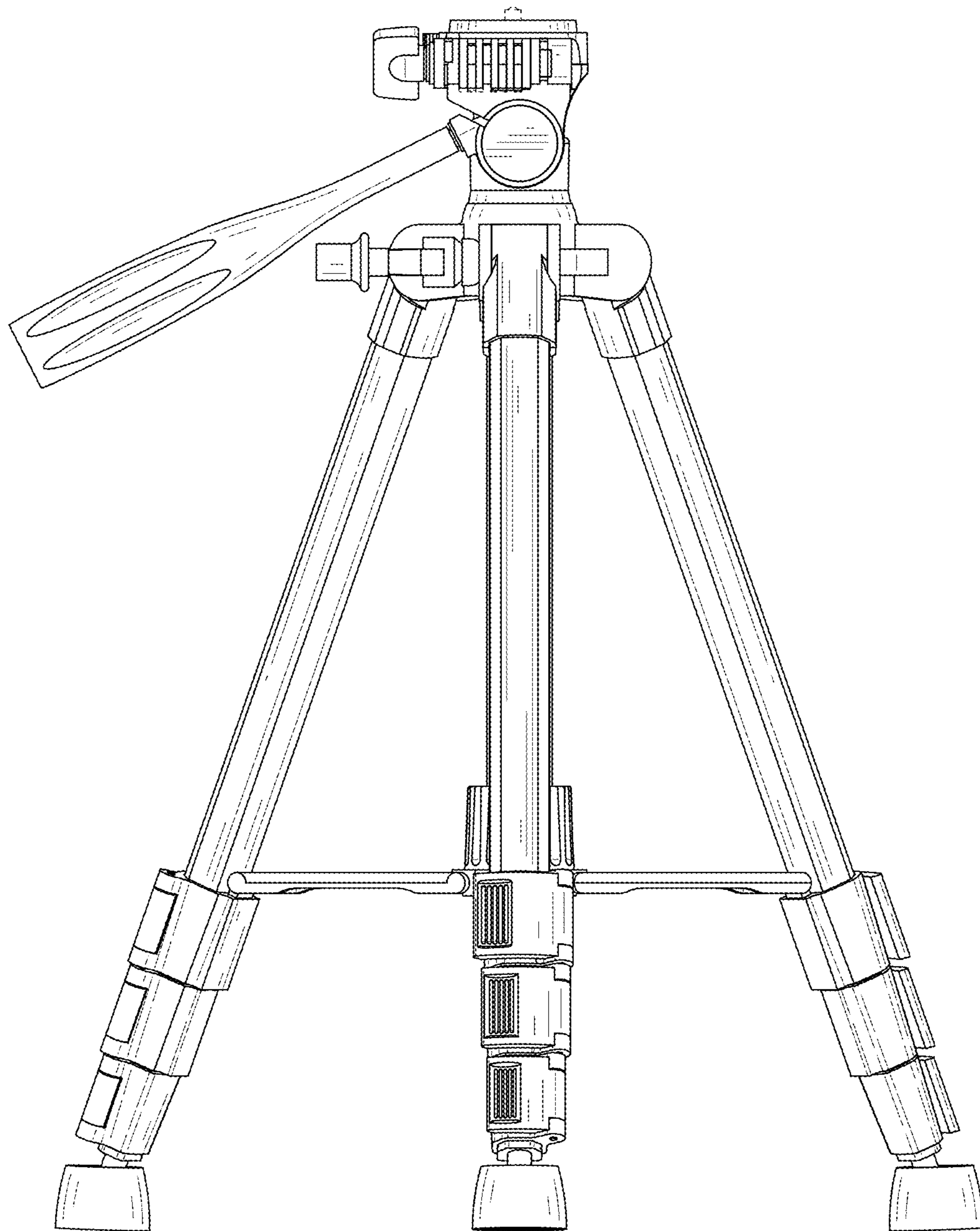


FIG. 3

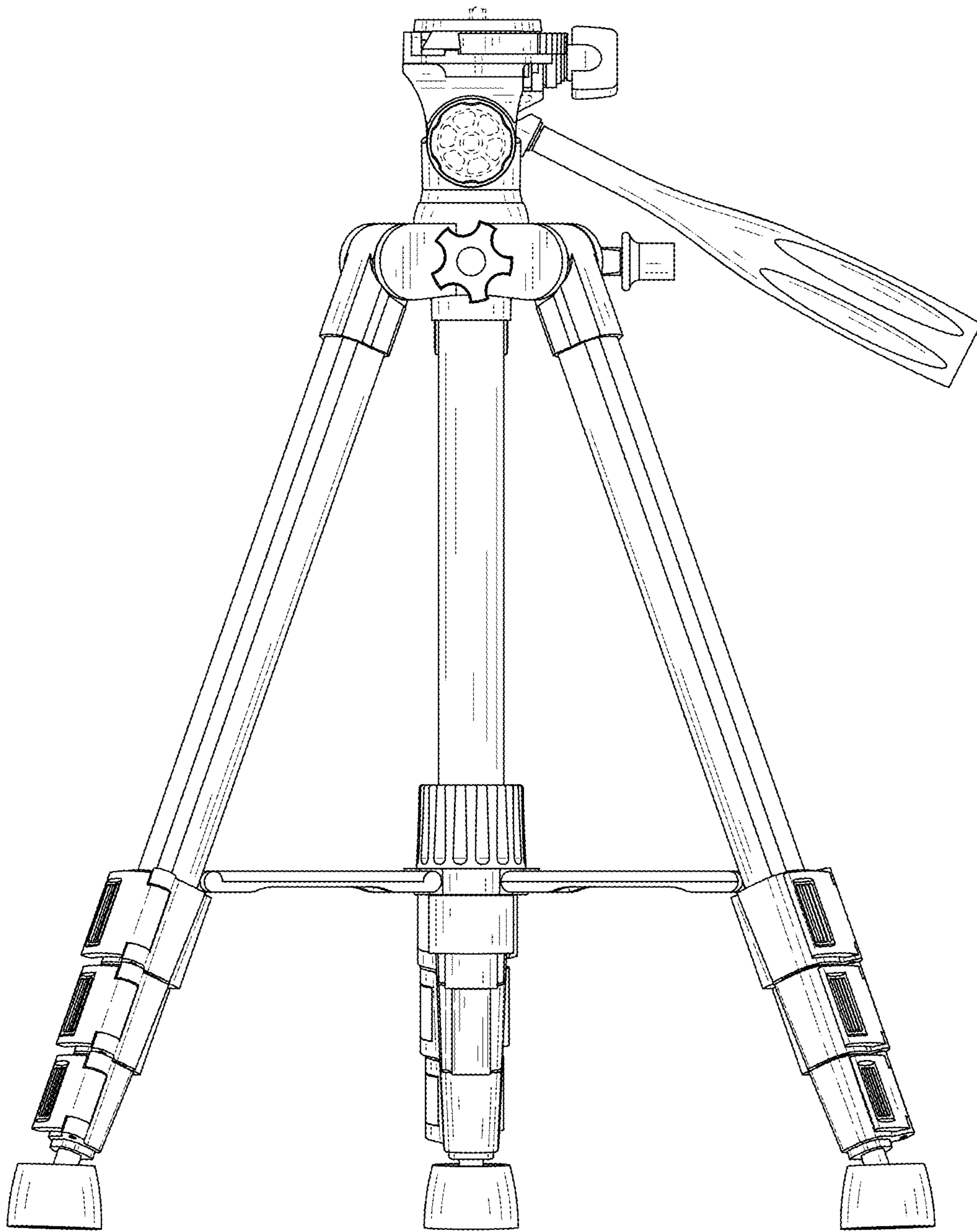


FIG. 4

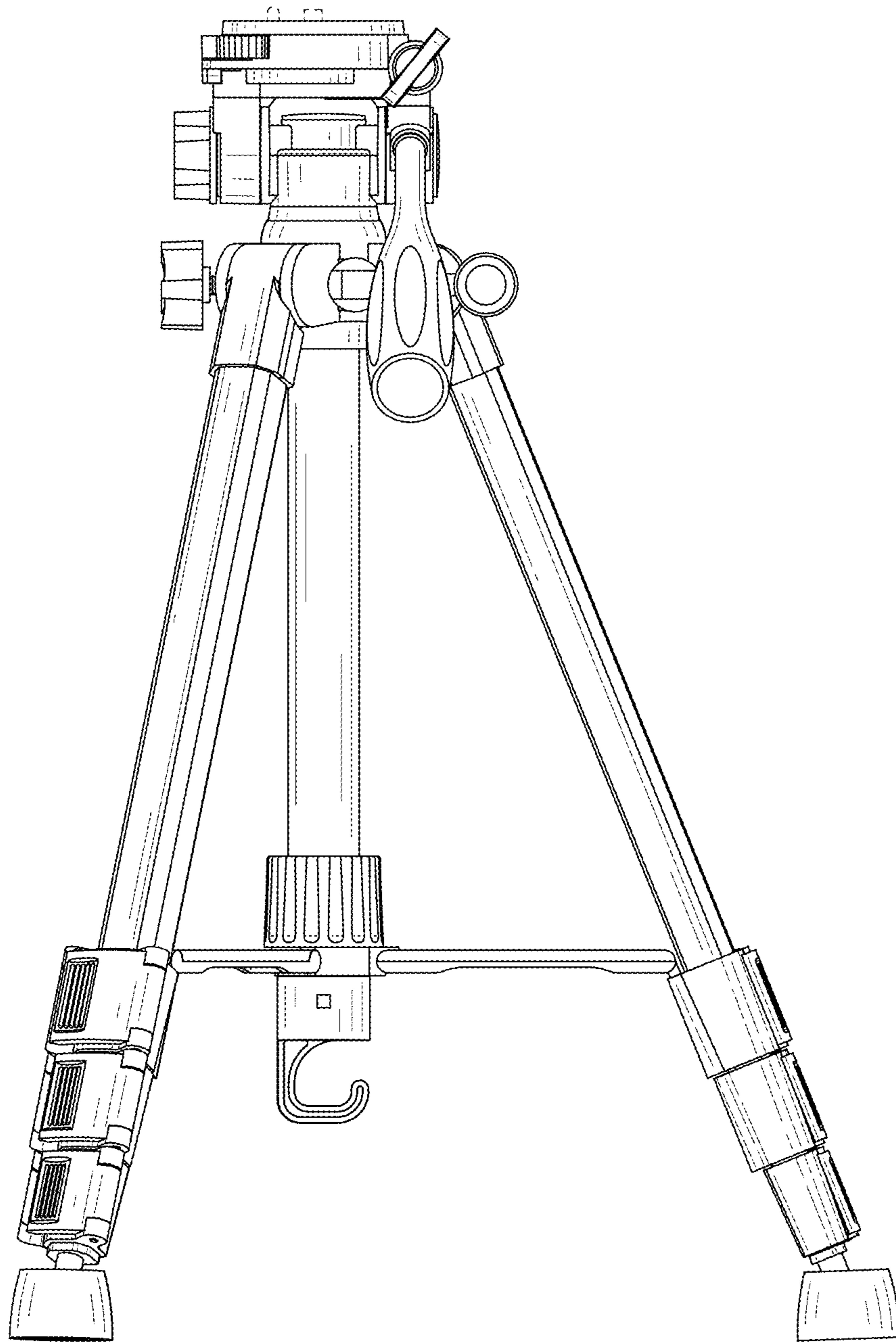


FIG. 5

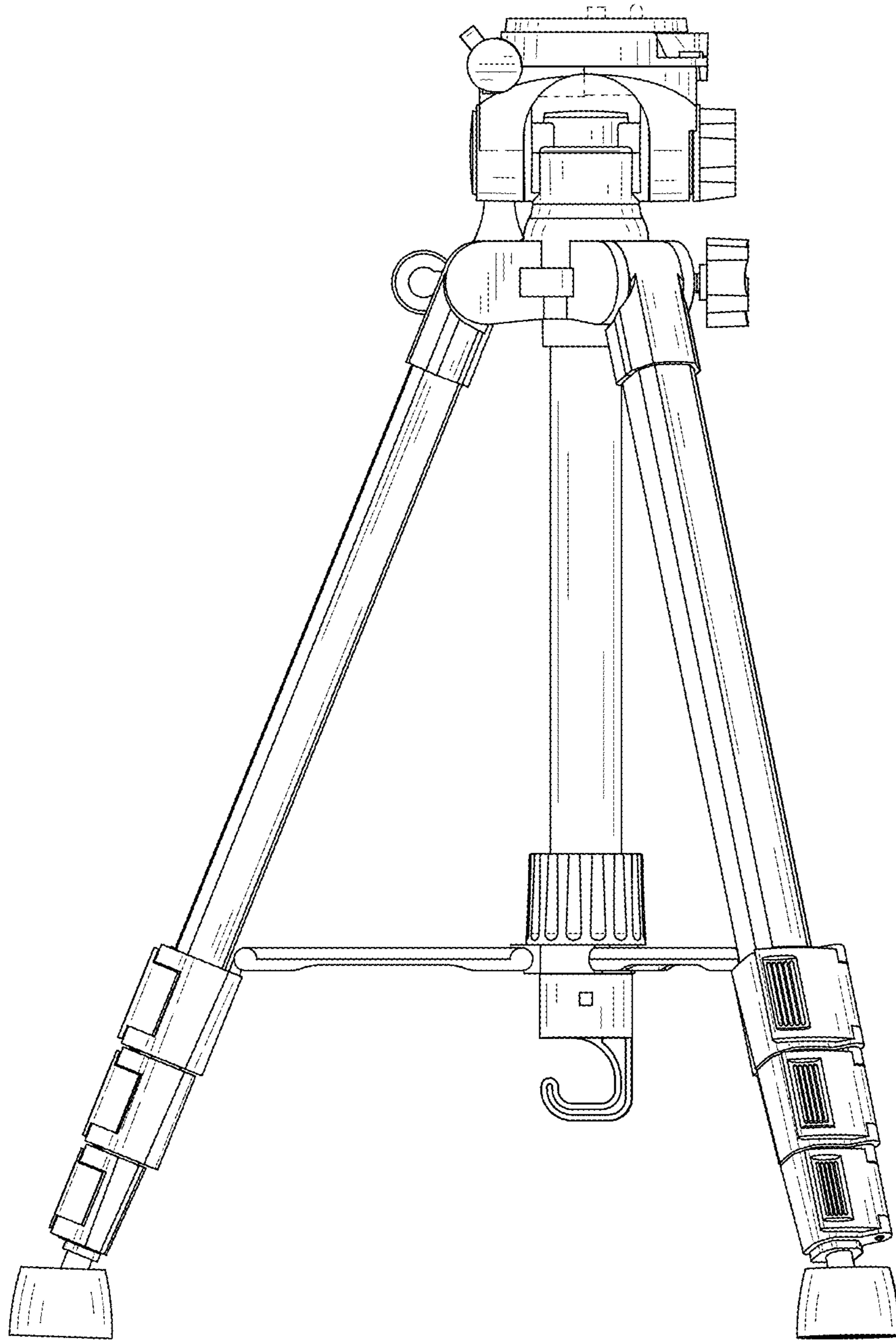


FIG. 6

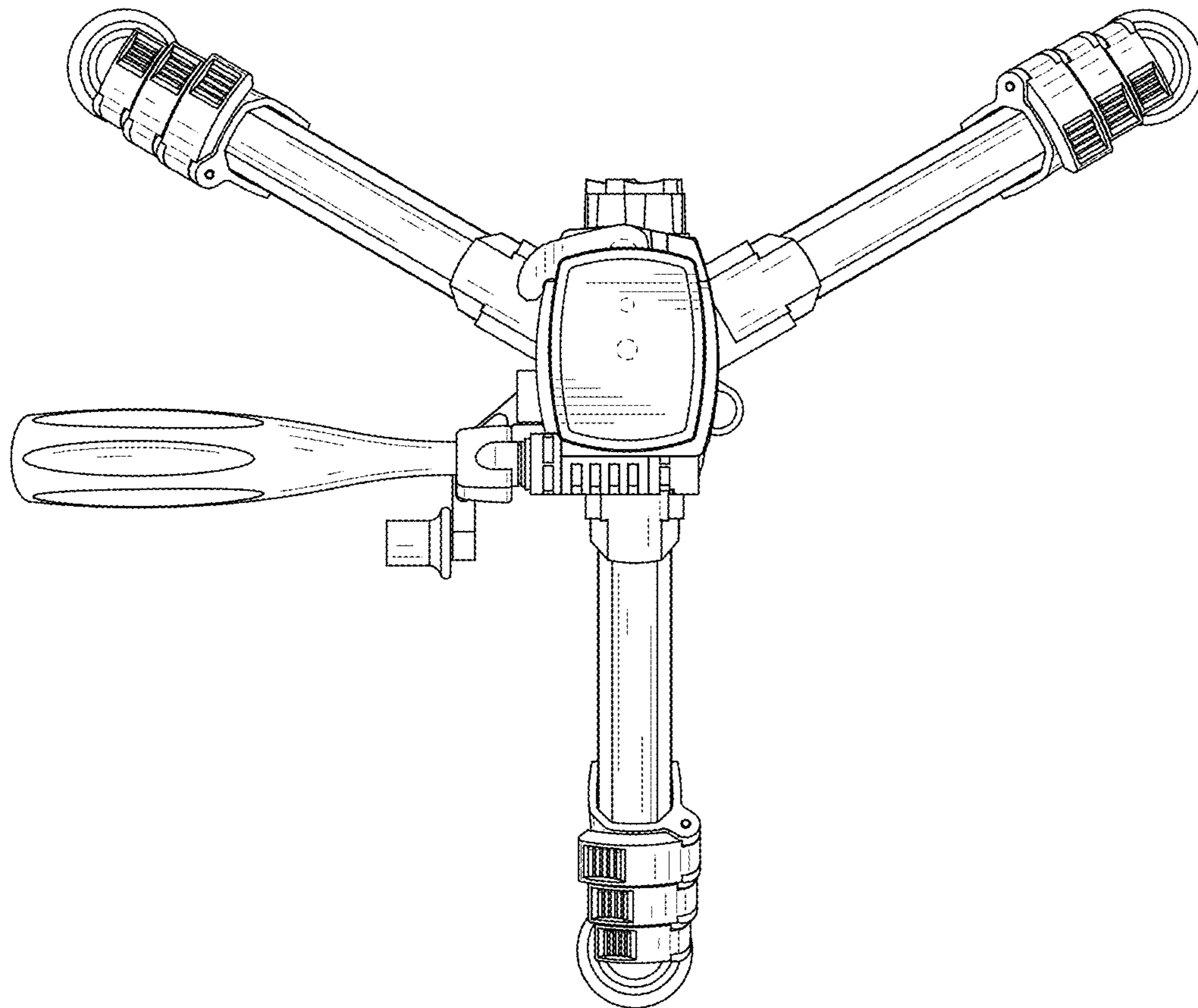


FIG. 7

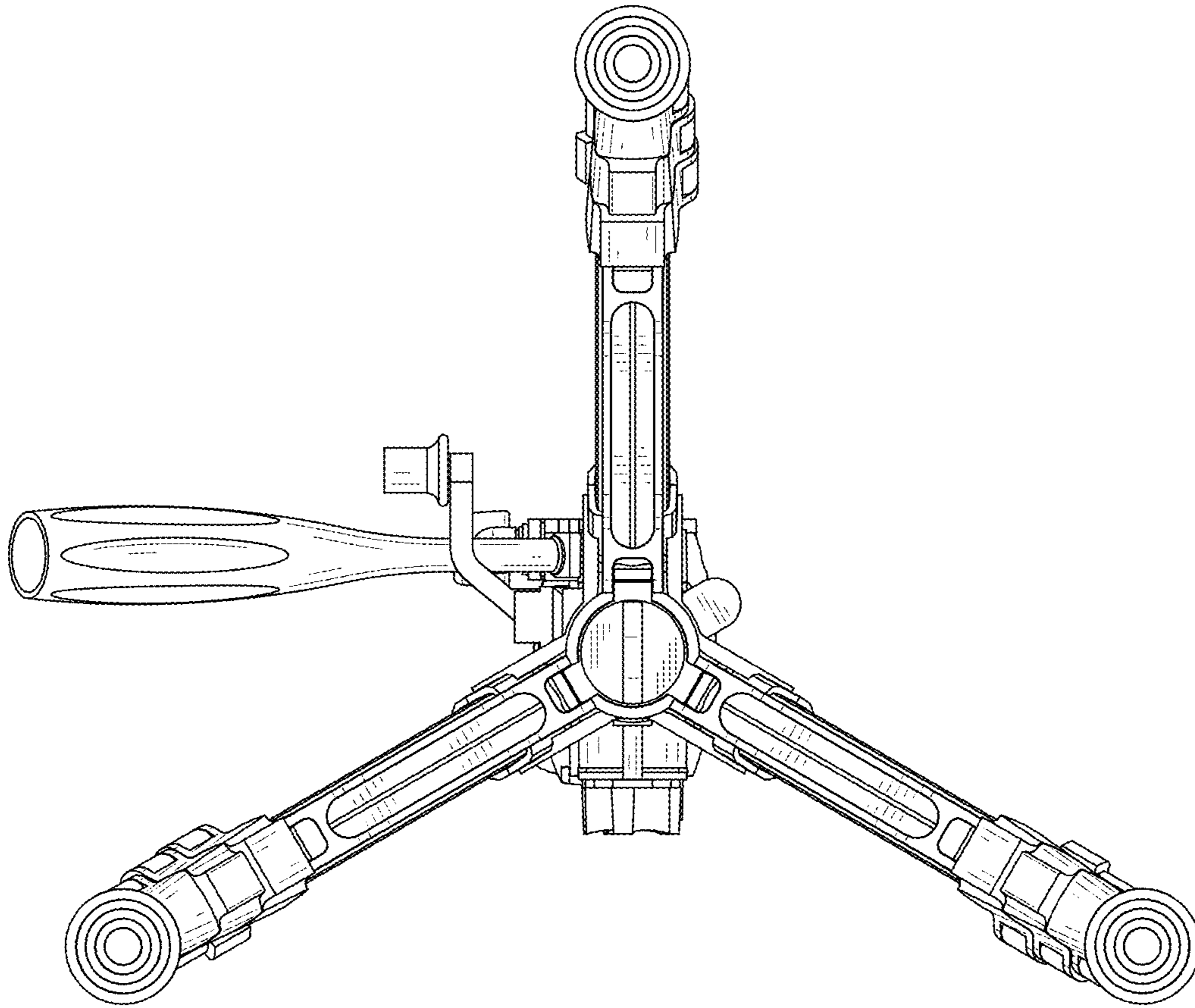


FIG. 8



FIG. 9

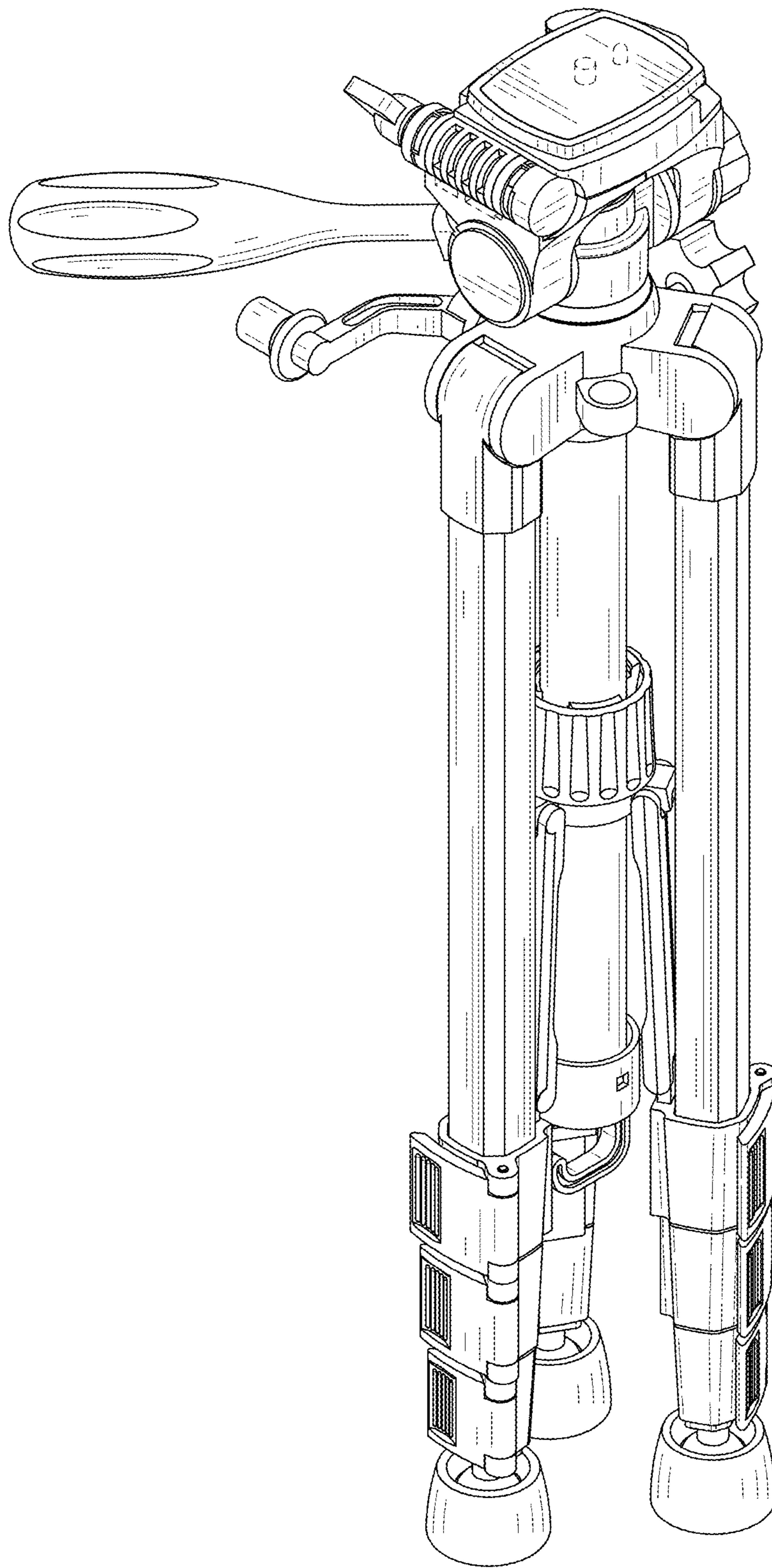


FIG. 10

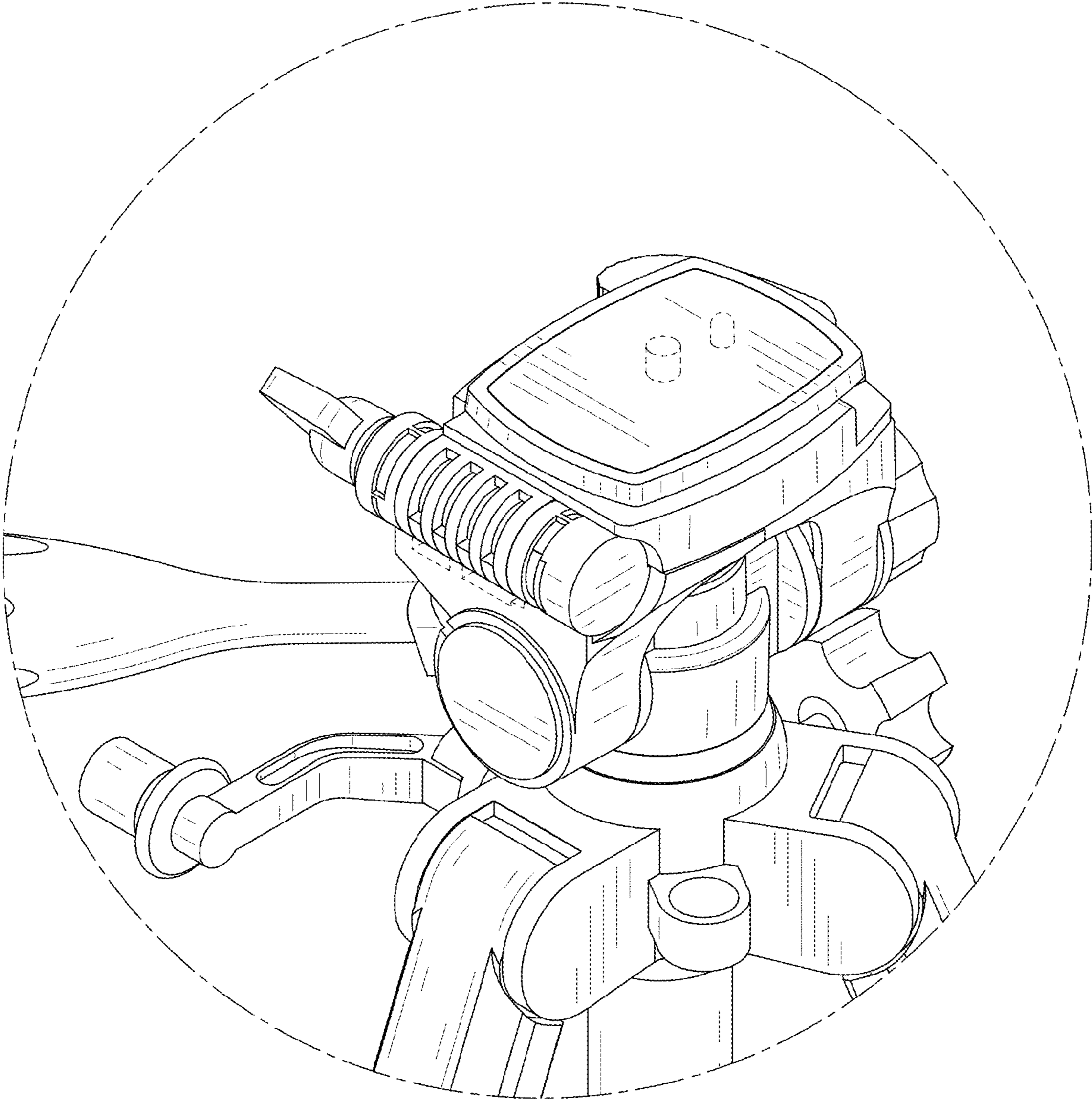


FIG. 11

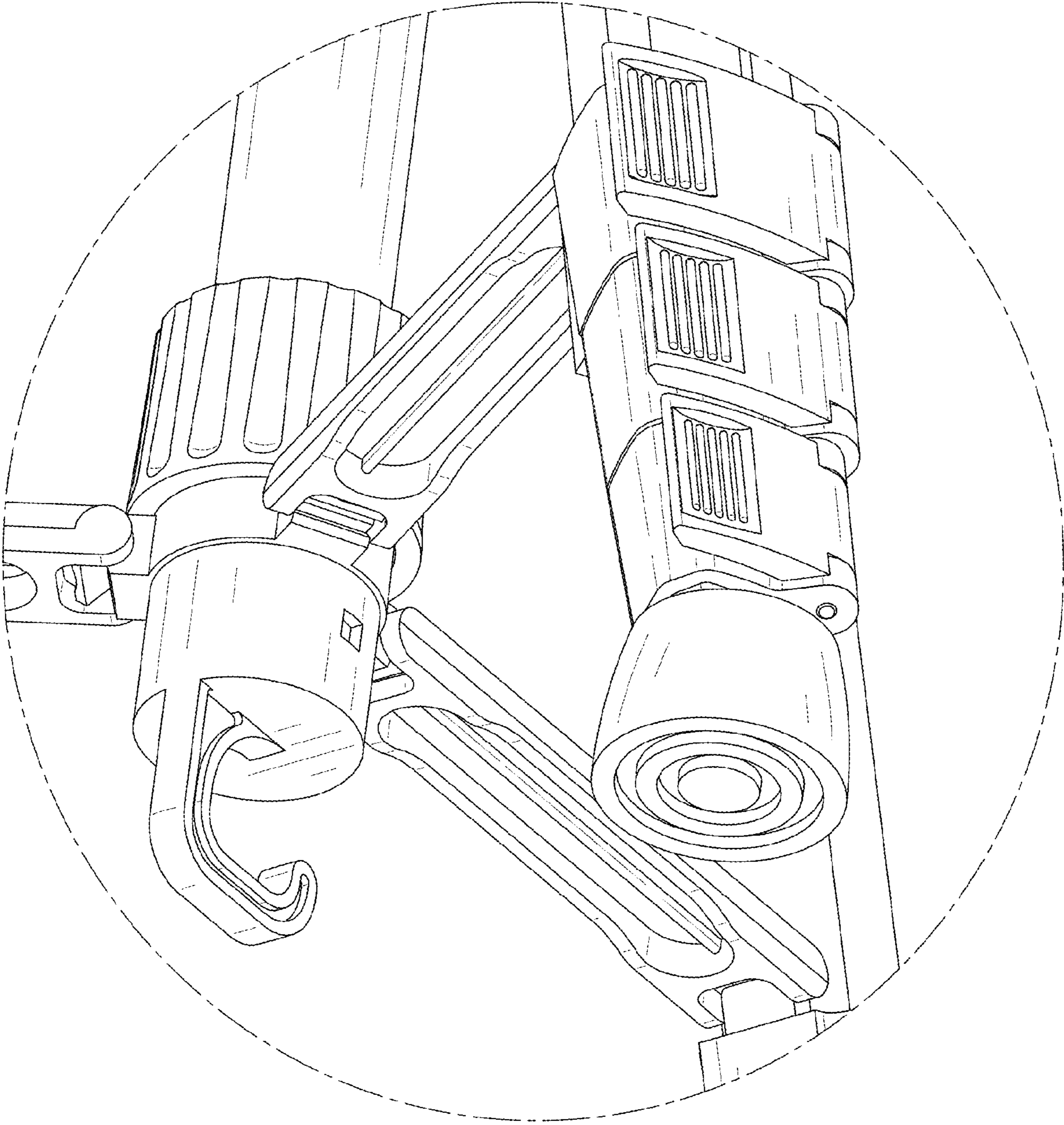


FIG. 12

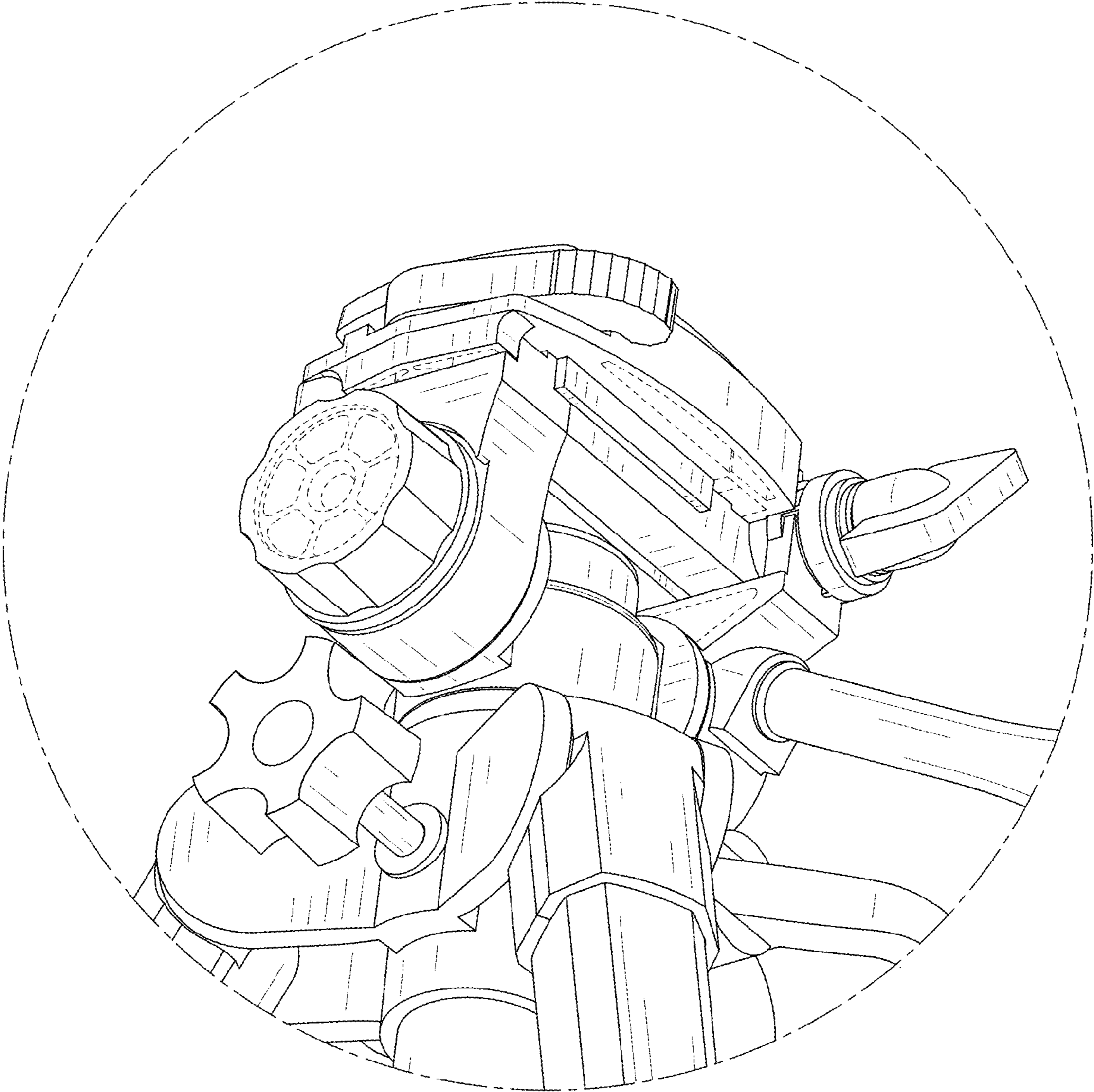


FIG. 13