



US00D942528S

(12) **United States Design Patent**  
**Zou**

(10) **Patent No.:** **US D942,528 S**  
(45) **Date of Patent:** **\*\* Feb. 1, 2022**

- (54) **BACKDROP HOLDER**
- (71) Applicant: **Caipeng Zou**, Jiujiang (CN)
- (72) Inventor: **Caipeng Zou**, Jiujiang (CN)
- (\*\*) Term: **15 Years**
- (21) Appl. No.: **29/765,447**
- (22) Filed: **Jan. 8, 2021**
- (51) **LOC (13) Cl.** ..... **16-05**
- (52) **U.S. Cl.**  
USPC ..... **D16/241**
- (58) **Field of Classification Search**  
USPC ..... D16/237, 241–245; D20/43; D3/11,  
D3/273, 276, 291  
CPC ..... G03B 17/56; G03B 17/561–566; G03B  
21/58; G02B 7/00–002; H04N  
5/2253–2254; A45F 2200/0508–0533  
See application file for complete search history.

(56) **References Cited**

U.S. PATENT DOCUMENTS

1,897,273	A *	2/1933	Nagel	.....	G03B 21/58 160/24
1,915,944	A *	6/1933	Nagel	.....	G03B 21/58 160/24
5,274,499	A *	12/1993	Shopp	.....	G03B 21/58 359/461
D366,055	S *	1/1996	Matsunaga	.....	160/24
5,798,861	A *	8/1998	Doat	.....	G09F 11/30 359/443
6,191,886	B1 *	2/2001	Sinkoff	.....	G03B 21/58 160/24
D490,835	S *	6/2004	Kotera	.....	D16/241
D520,046	S *	5/2006	Miyagawa	.....	D16/241
7,203,000	B2 *	4/2007	Kotera	.....	F16M 11/26 359/461
D548,765	S *	8/2007	Kotera	.....	D16/235

7,426,077	B2 *	9/2008	Miyagawa	.....	G03B 21/56 359/461
D592,707	S *	5/2009	Zarelius	.....	D20/43
7,623,290	B2 *	11/2009	Liang	.....	G03B 21/56 359/443

(Continued)

OTHER PUBLICATIONS

Banner Stand Cassette, [online] Retrieved Dec. 16, 2021 from URL:  
[https://www.standbanner.co.uk/exhibition-accessories/exhibition-parts-accessories/banner-stand-cassette.\\*](https://www.standbanner.co.uk/exhibition-accessories/exhibition-parts-accessories/banner-stand-cassette.*)

(Continued)

Primary Examiner — Vy N Koenig

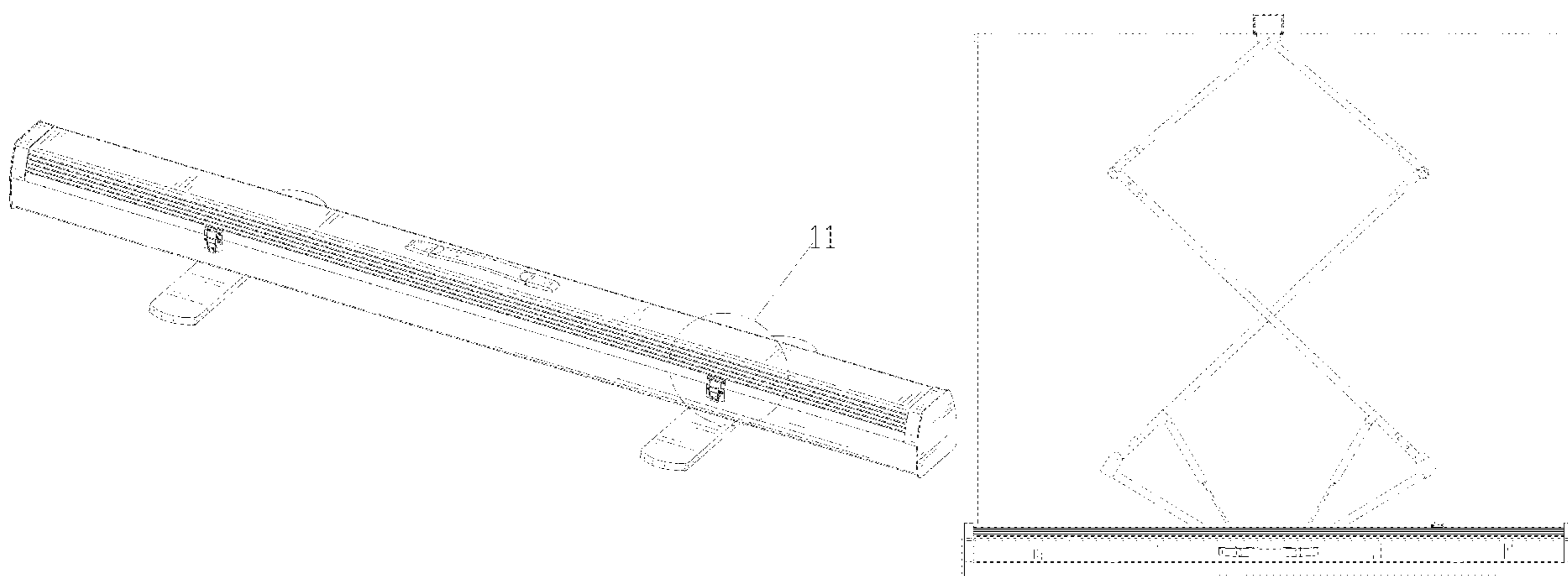
(57) **CLAIM**

The ornamental design for a backdrop holder, as shown and described.

**DESCRIPTION**

FIG. 1 is a perspective view of a backdrop holder showing my new design;  
 FIG. 2 is another perspective view thereof;  
 FIG. 3 is a front elevational view thereof;  
 FIG. 4 is a rear elevational view thereof;  
 FIG. 5 is a left side elevational view thereof;  
 FIG. 6 is a right side elevational view thereof;  
 FIG. 7 is a top plan view thereof;  
 FIG. 8 is a bottom plan view thereof;  
 FIG. 9 is a perspective view of the backdrop holder where the backdrop holder is in a first configuration of use;  
 FIG. 10 is a perspective view of the backdrop holder where the backdrop holder is in a second configuration of use;  
 FIG. 11 is an enlarged view of portion 11 shown in FIG. 1; and,  
 FIG. 12 is an enlarged view of portion 12 shown in FIG. 2.  
 The broken lines in the drawings depict portions of the backdrop holder that form no part of the claimed design.

**1 Claim, 12 Drawing Sheets**



(56)

**References Cited**

U.S. PATENT DOCUMENTS

7,636,194	B2 *	12/2009	Miyagawa	.....	G03B 21/58 359/443
8,031,400	B2 *	10/2011	Wang	.....	G03B 21/58 359/461
8,274,737	B2 *	9/2012	Wang	.....	G03B 21/58 359/461
8,526,109	B1 *	9/2013	Chen	.....	G03B 21/58 359/461
D773,866	S *	12/2016	Hogberg	.....	D6/681
D806,170	S *	12/2017	Sim	.....	D20/43
D875,815	S *	2/2020	Fest	.....	D16/241
2003/0116997	A1 *	6/2003	Lin	.....	B60J 7/0015 296/214
2007/0121088	A1 *	5/2007	Liang	.....	G03B 21/58 353/119
2007/0121209	A1 *	5/2007	Liang	.....	G03B 21/58 359/461
2011/0032612	A1 *	2/2011	Abe	.....	G03B 21/58 359/461

OTHER PUBLICATIONS

Collapsible Chroma Key Green Screen Retractable Panel, [online] Published on May 30, 2020. Retrieved Dec. 15, 2021 from URL: <https://www.backdropsource.com/products/green-screen-collapsible-and-retractable-chromakey-panel>.\*

“Emart T-Shape Portable Background Backdrop Support Stand Kit 5ft Wide 8.5ft. Tall Adjustable Photo Backdrop Stand with 4 Spring Clamps”, Retrieved Jan. 8, 2021], Retrieved from internet, <https://www.amazon.com/T-Shape-Portable-Background-Backdrop-Adjustable/dp/B07S1R54YL/ref>.

“HYJ-INC Photo Video Studio 10 Ft Adjustable Background Stand Backdrop Support System Kit with Photography 2 Background Holder Carry Bag”, Retrieved Jan. 8, 2021], Retrieved from Internet, <https://www.amazon.com/Adjustable-Background-Backdrop-Support-Photography/dp/B073WGKQ6V/ref>.

\* cited by examiner

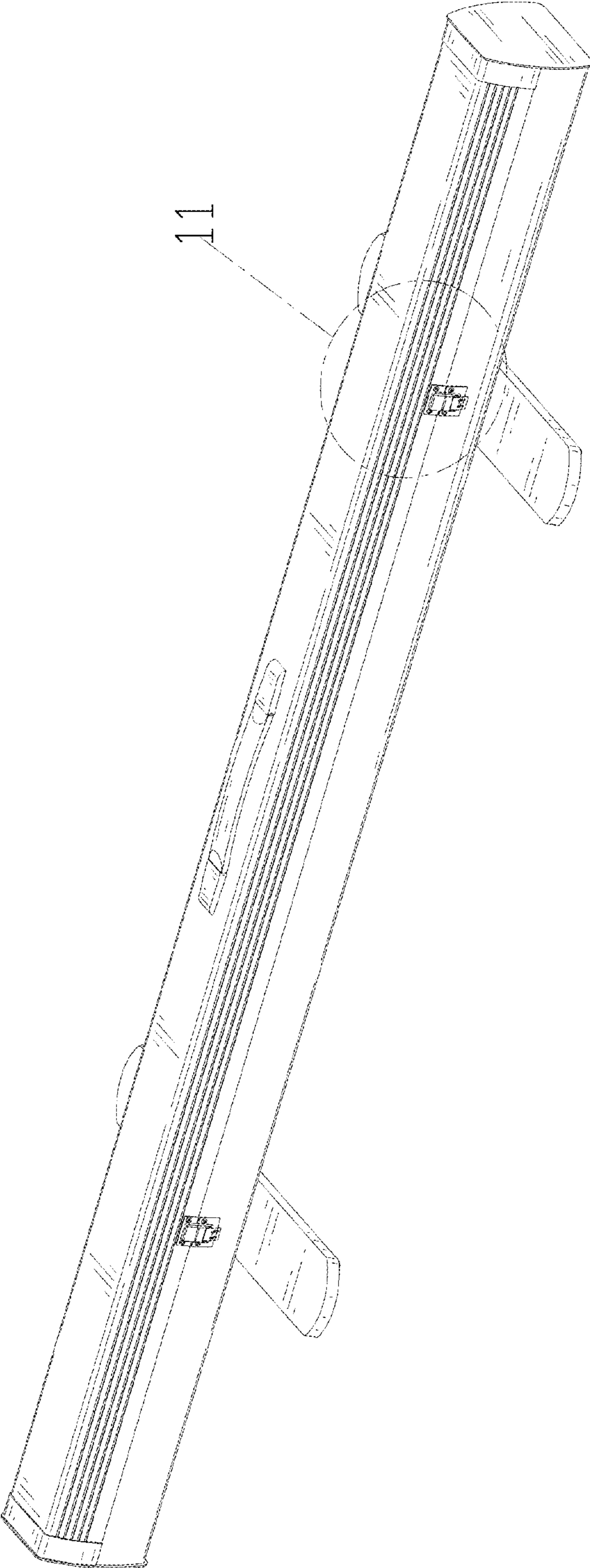


FIG. 1

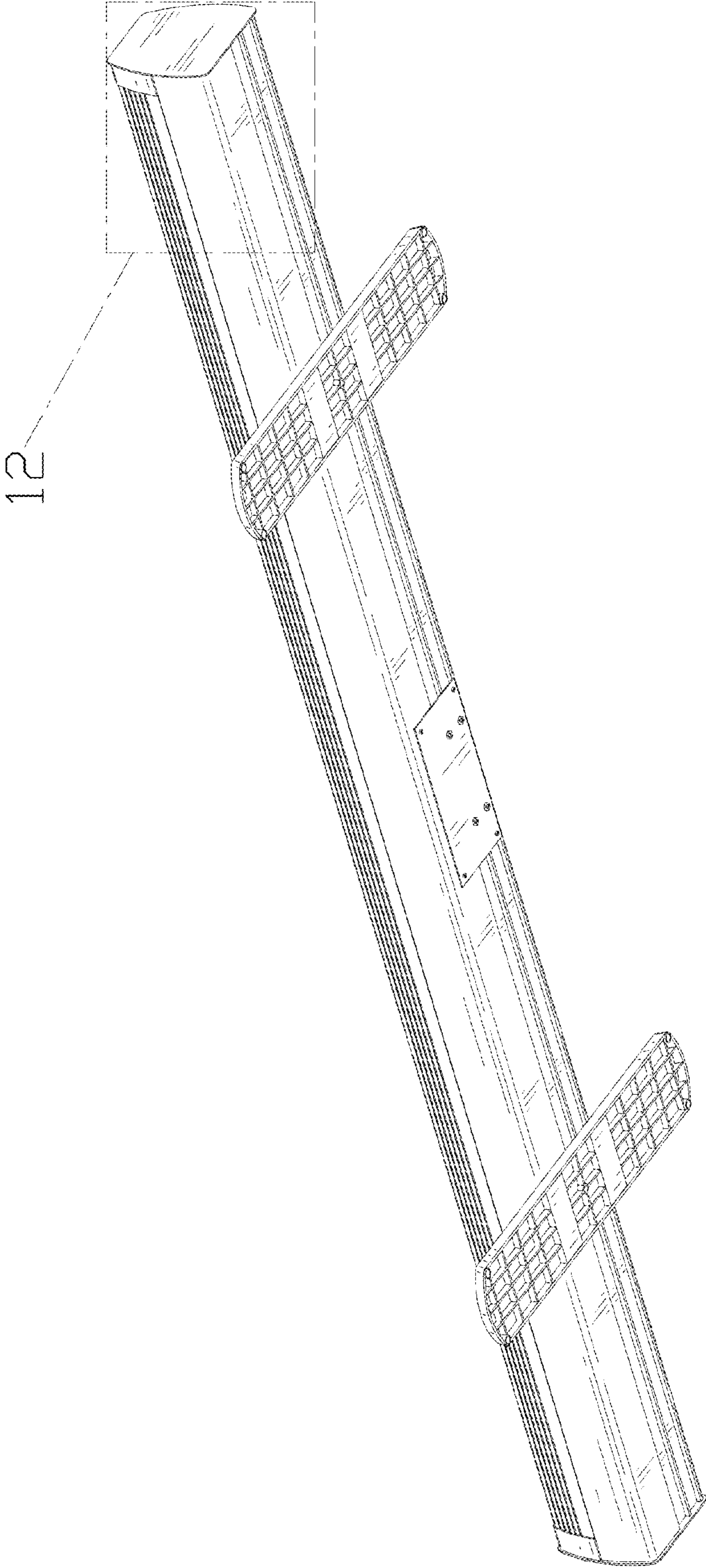


FIG. 2

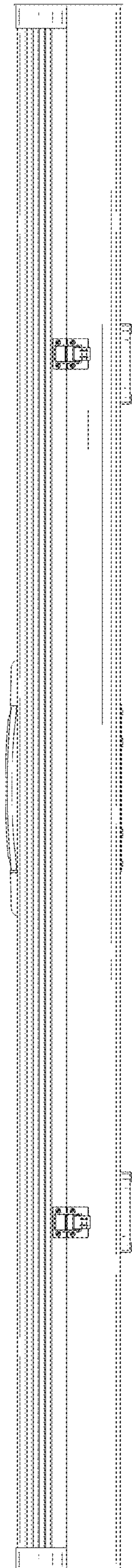


FIG. 3

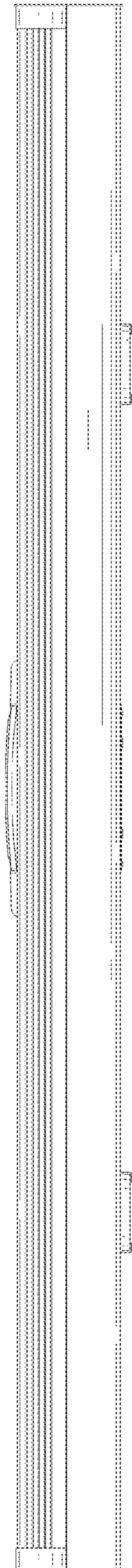


FIG. 4

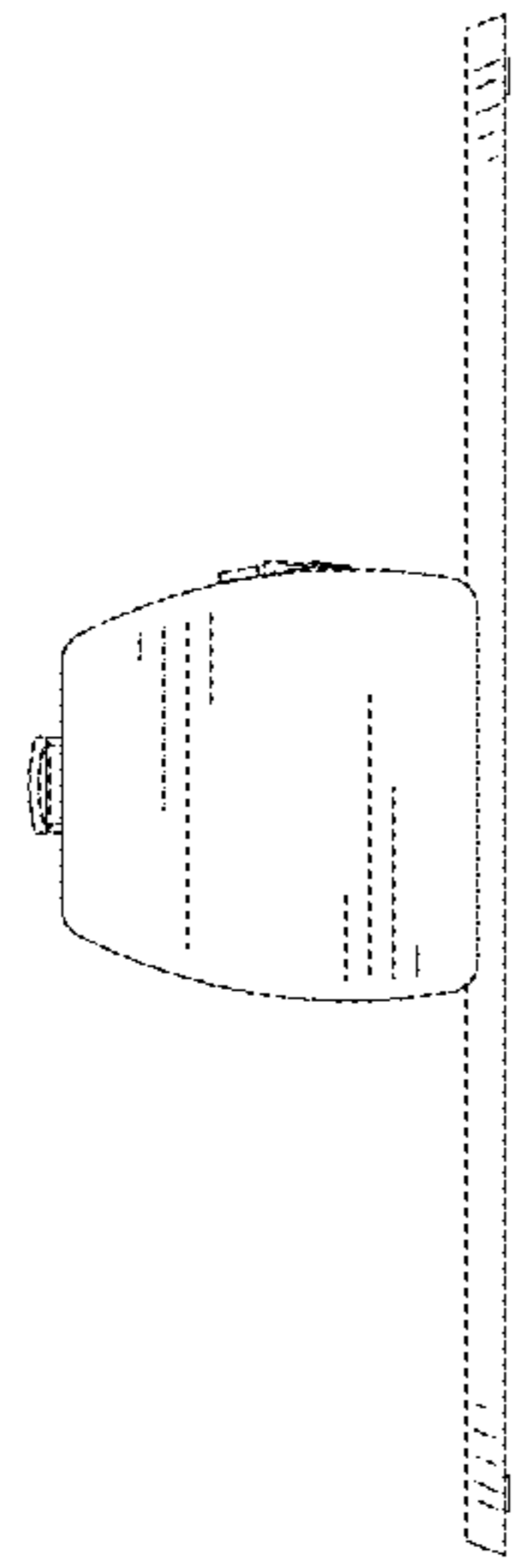


FIG. 5

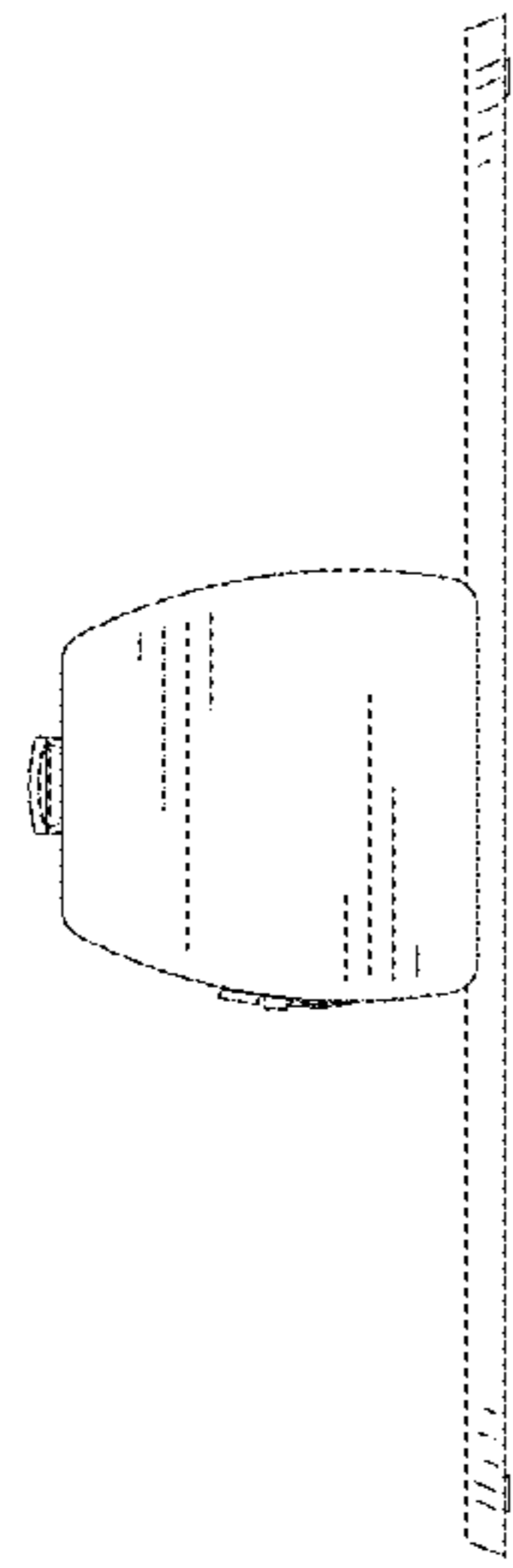


FIG. 6



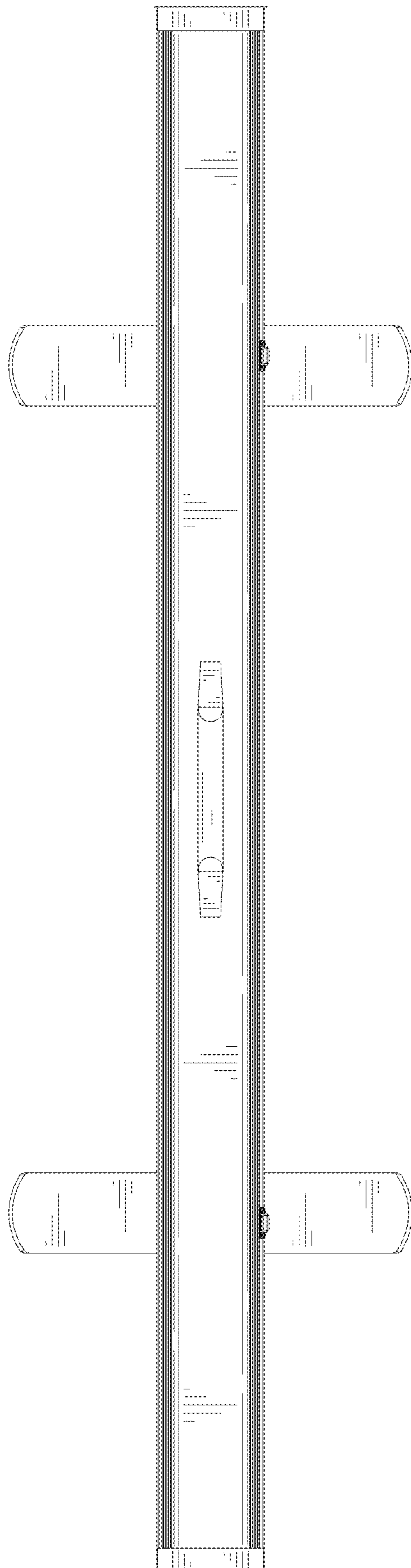


FIG. 7

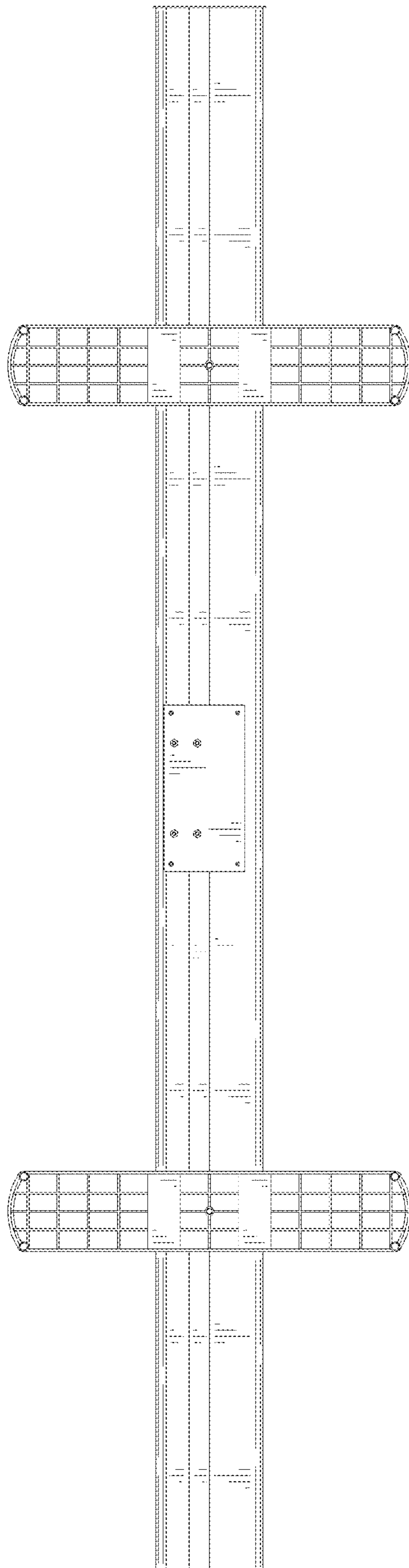


FIG. 8

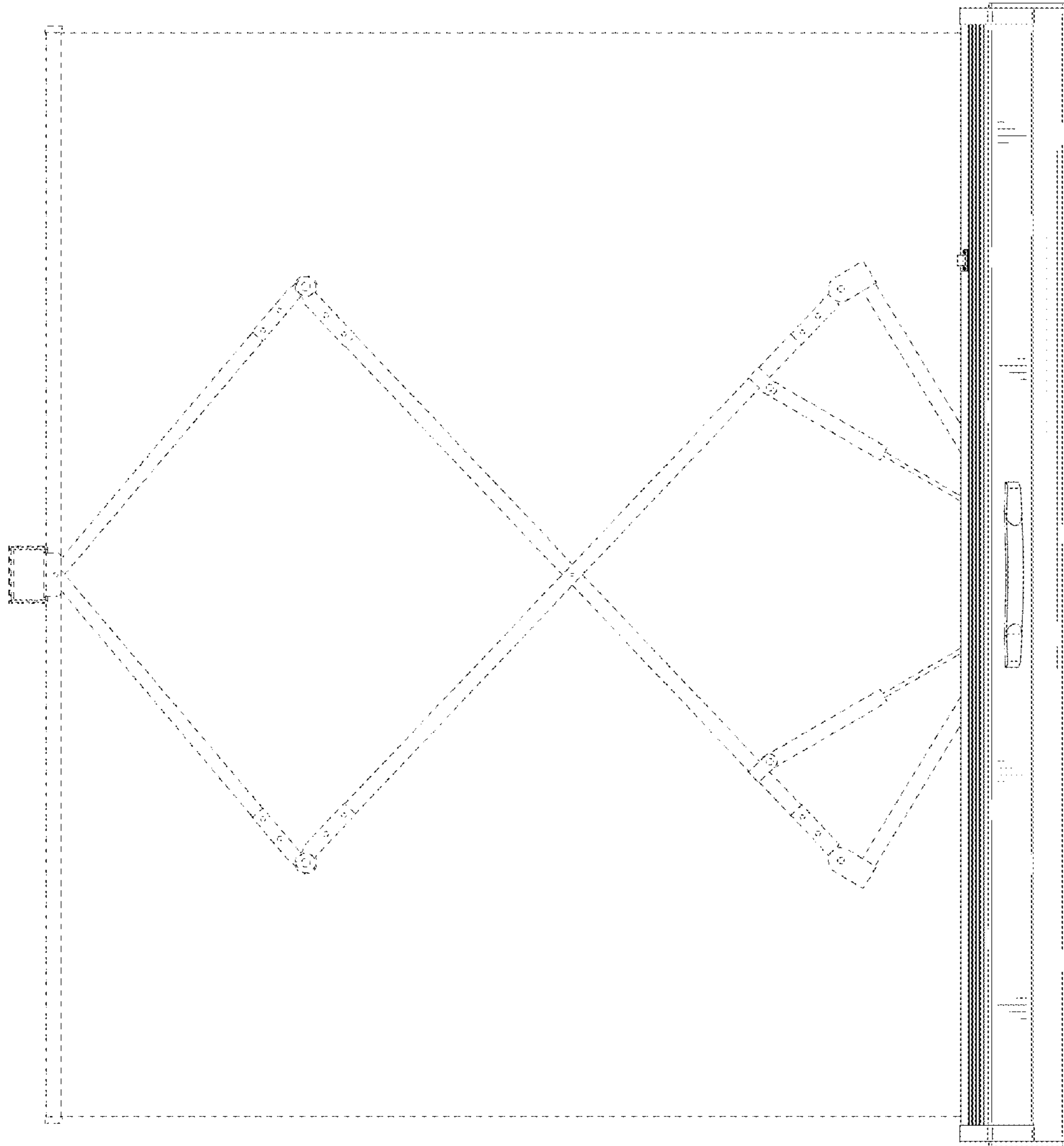


FIG. 9

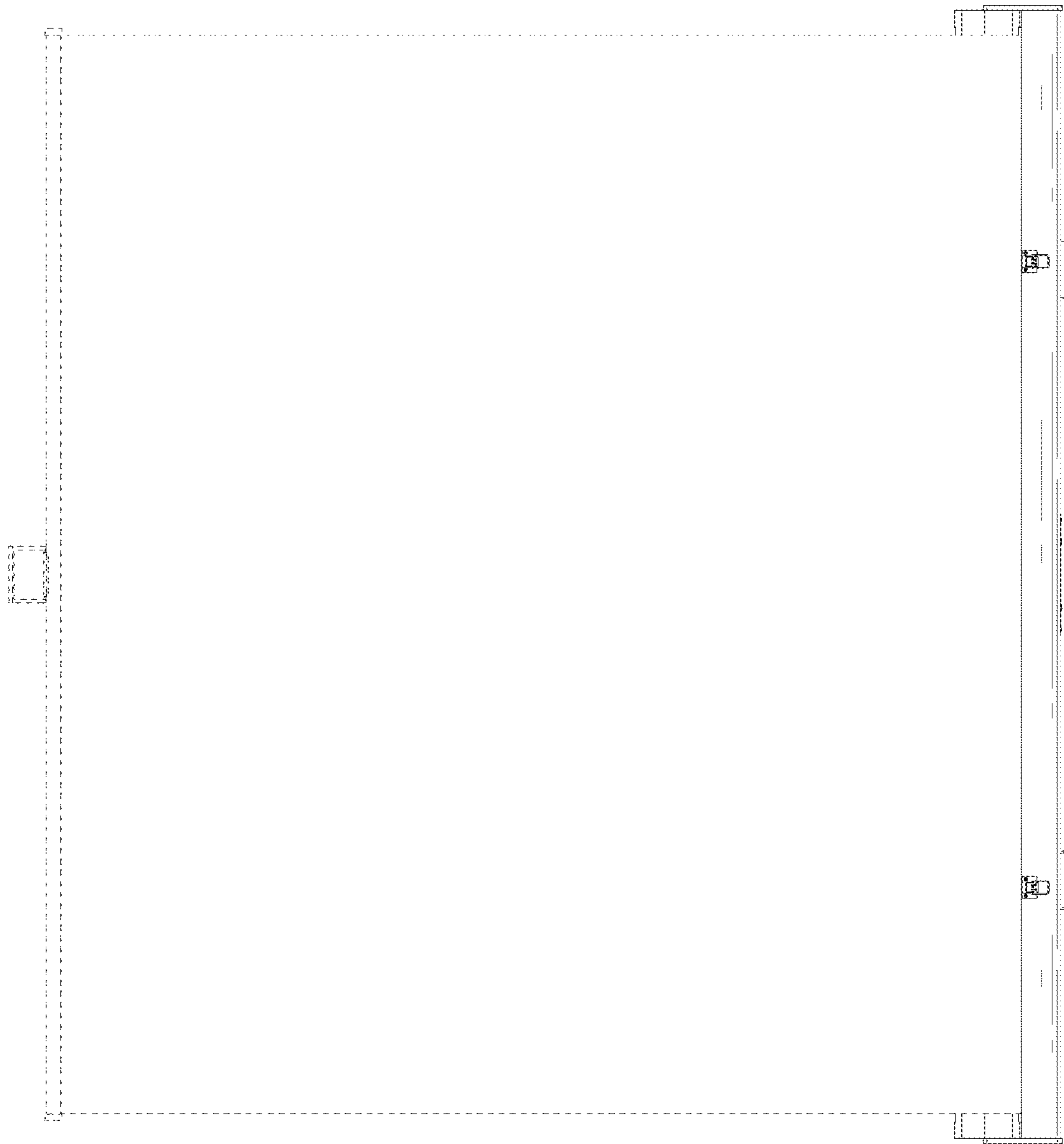


FIG. 10

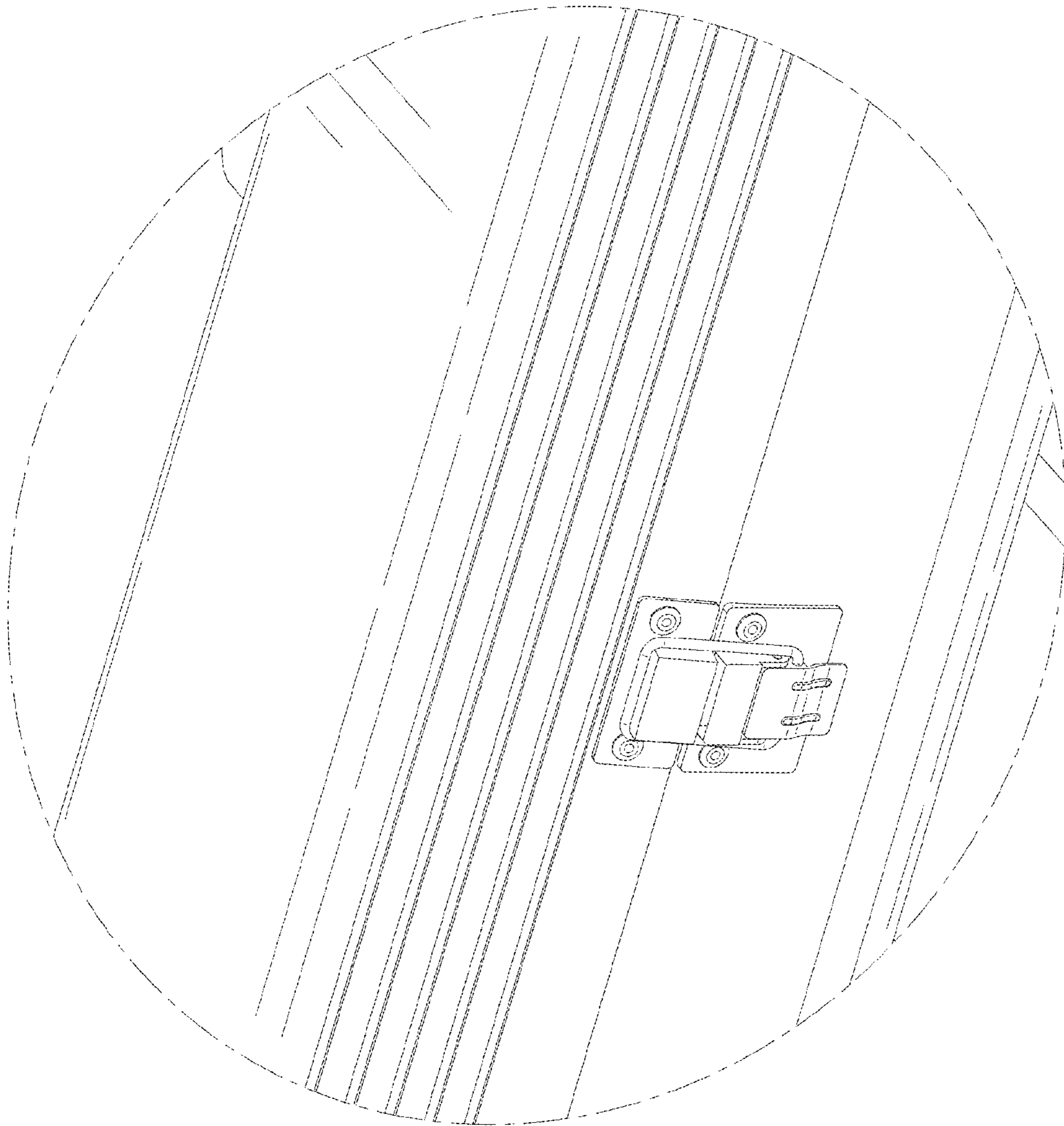


FIG. 11

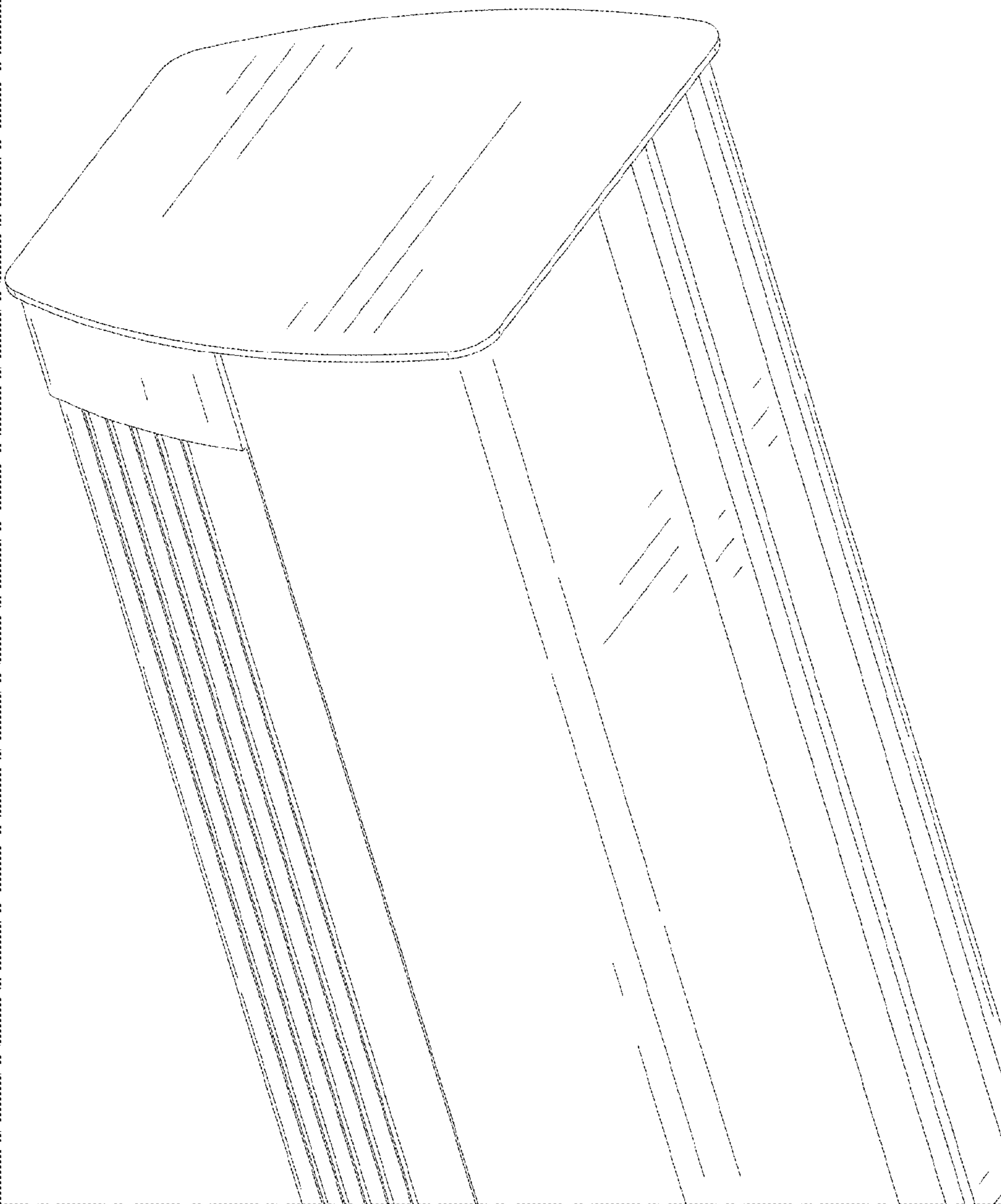


FIG. 12