



US00D942526S

(12) **United States Design Patent** (10) **Patent No.:** **US D942,526 S**
Tsukamoto et al. (45) **Date of Patent:** **** Feb. 1, 2022**

(54) **CAMERA**

(71) Applicant: **SZ DJI Technology Co., Ltd.**,
Shenzhen (CN)

(72) Inventors: **Chihiro Tsukamoto**, Shenzhen (CN);
Hao Liu, Shenzhen (CN)

(73) Assignee: **SZ DJI Technology Co., Ltd.**,
Shenzhen (CN)

(**) Term: **15 Years**

(21) Appl. No.: **29/800,013**

(22) Filed: **Jul. 19, 2021**

Related U.S. Application Data

(63) Continuation of application No. 29/749,985, filed on Sep. 10, 2020, now Pat. No. Des. 926,243, which is a continuation of application No. 29/731,335, filed on Apr. 14, 2020, now Pat. No. Des. 897,408, which is a continuation of application No. 29/711,642, filed on Nov. 1, 2019, now Pat. No. Des. 882,666, which is a continuation of application No. 29/658,625, filed on Aug. 1, 2018, now Pat. No. Des. 870,183.

(51) **LOC (13) Cl.** **16-05**

(52) **U.S. Cl.**
USPC **D16/219**

(58) **Field of Classification Search**
USPC D16/200, 202–206, 208–209, 212, 218,
D16/219; 348/373–376; 396/448, 535,
396/539–541
CPC G03B 15/03; G03B 17/02; G03B 17/04;
G03B 17/56; G03B 19/04; H04N 5/2251;
H04N 5/2252; H04N 5/2253; H04N
5/2254; H04N 2101/00

See application file for complete search history.

(56) **References Cited**

U.S. PATENT DOCUMENTS

D644,679 S	9/2011	Woodman
D646,313 S	10/2011	Woodman
D657,808 S	4/2012	Woodman
D657,811 S	4/2012	Woodman
D674,428 S	1/2013	Woodman
D699,276 S	2/2014	Samuels et al.
D699,277 S	2/2014	Samuels et al.
D702,276 S	4/2014	Woodman
D702,277 S	4/2014	Woodman
D702,747 S	4/2014	Woodman et al.
D710,921 S	8/2014	Gioscia et al.
D710,922 S	8/2014	Gioscia et al.

(Continued)

FOREIGN PATENT DOCUMENTS

JP	1111310	6/2001
JP	1427651	11/2011

Primary Examiner — Ramzi Almatrahi

(74) *Attorney, Agent, or Firm* — Sterne, Kessler,
Goldstein & Fox P.L.L.C.

(57) **CLAIM**

The ornamental design for a camera, as shown and described.

DESCRIPTION

FIG. 1 is a top front perspective view of a camera showing the claimed design;

FIG. 2 is a bottom front perspective view thereof;

FIG. 3 is a front view thereof;

FIG. 4 is a rear view thereof;

FIG. 5 is a left side view thereof;

FIG. 6 is a right side view thereof;

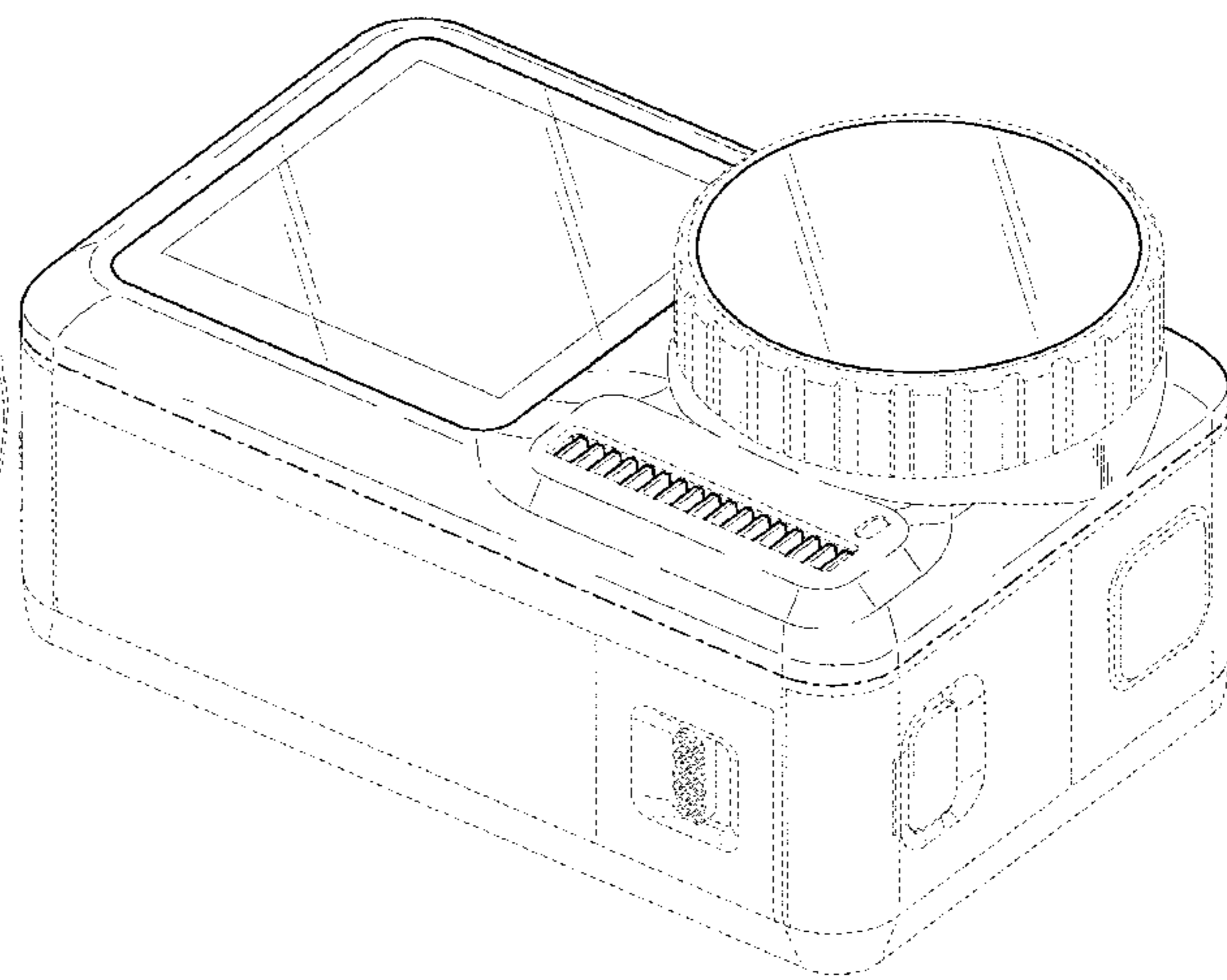
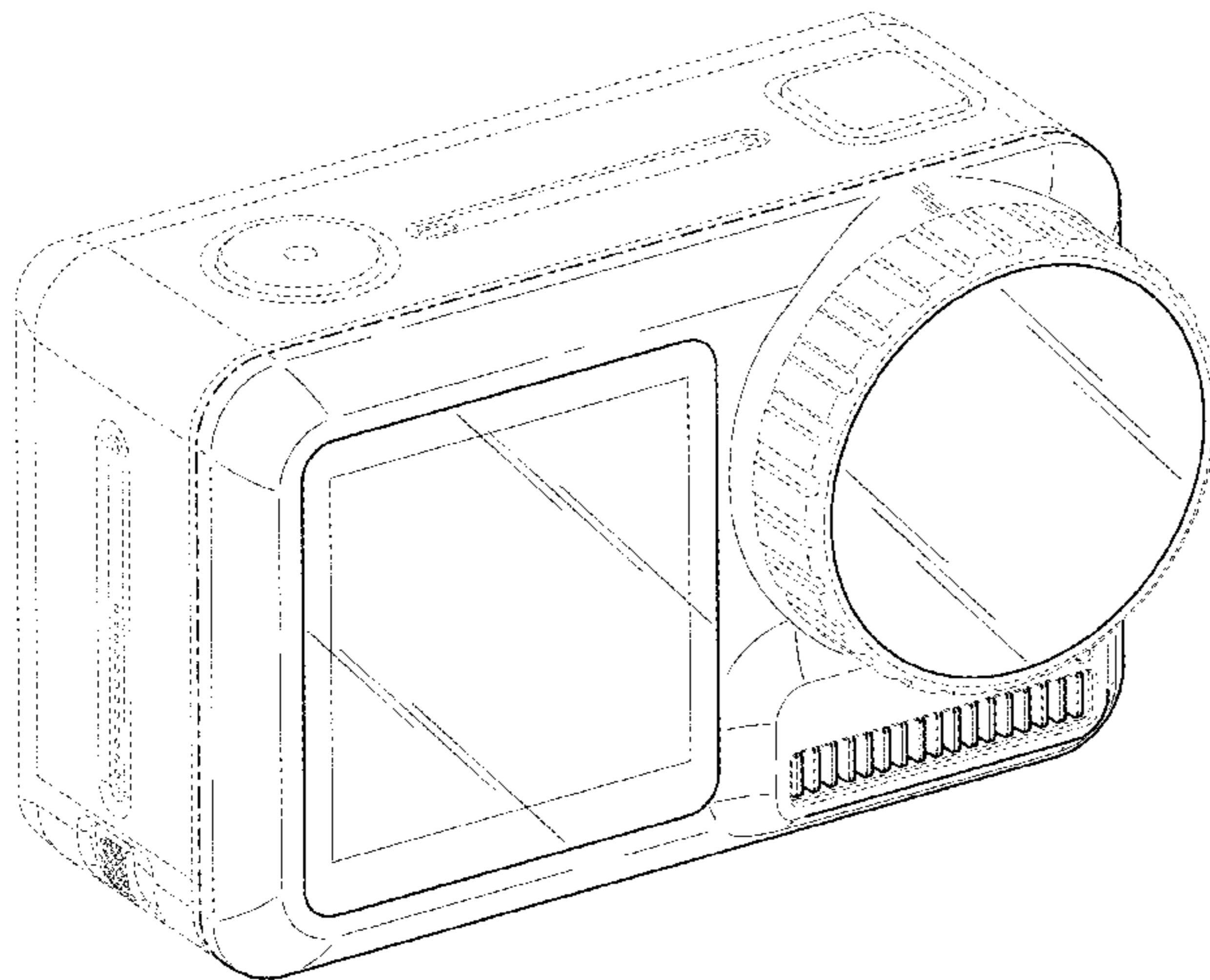
FIG. 7 is a top view thereof; and,

FIG. 8 is a bottom view thereof.

The dashed broken lines in the figures show portions of the camera that form no part of the claimed design.

The dot-dash broken lines denote the boundary of the claim and form no part of the claimed design.

1 Claim, 8 Drawing Sheets



(56)

References Cited

U.S. PATENT DOCUMENTS

D721,395 S 1/2015 Woodman et al.
 D724,637 S 3/2015 Samuels et al.
 D724,638 S 3/2015 Samuels et al.
 D725,169 S 3/2015 Gioscia et al.
 D732,593 S 6/2015 Woodman
 D734,799 S 7/2015 Woodman et al.
 D735,790 S 8/2015 Gioscia et al.
 D737,879 S 9/2015 Woodman et al.
 D739,451 S 9/2015 Gioscia et al.
 D740,868 S 10/2015 Gioscia et al.
 D740,875 S 10/2015 Woodman et al.
 D740,876 S 10/2015 Woodman et al.
 D741,394 S 10/2015 Gioscia et al.
 D750,146 S 2/2016 Costa et al.
 D750,686 S 3/2016 Chen
 D751,131 S 3/2016 Woodman et al.
 D751,133 S 3/2016 Gioscia et al.
 D751,135 S 3/2016 Bould et al.
 D754,238 S 4/2016 Woodman
 D755,874 S 5/2016 Yang
 D758,467 S 6/2016 Zhang
 D760,309 S 6/2016 Parfitt et al.
 D766,351 S 9/2016 Li et al.
 D769,346 S 10/2016 Nguyen et al.
 D772,966 S 11/2016 Song
 D773,546 S 12/2016 Nguyen et al.
 D775,254 S 12/2016 Parfitt et al.
 D776,741 S 1/2017 Parfitt et al.
 D777,821 S 1/2017 Gioscia et al.
 D778,335 S 2/2017 Gioscia et al.
 D778,336 S 2/2017 Gioscia et al.
 D785,695 S 5/2017 Woodman et al.
 D789,435 S 6/2017 Nguyen et al.

D790,001 S 6/2017 Parfitt et al.
 D790,002 S 6/2017 Nguyen et al.
 D791,848 S 7/2017 Zhu et al.
 D794,696 S 8/2017 Nguyen et al.
 D798,929 S 10/2017 Zhou
 D800,202 S 10/2017 Hu
 D803,925 S 11/2017 Hoshi et al.
 D805,117 S 12/2017 Nguyen et al.
 D806,155 S 12/2017 Parfitt et al.
 D806,775 S 1/2018 Nguyen et al.
 D816,753 S 5/2018 Zhang
 D825,636 S 8/2018 Hueber et al.
 D836,696 S 12/2018 Zhang
 D837,865 S 1/2019 Parfitt et al.
 D839,335 S 1/2019 Zhang
 D840,463 S 2/2019 Nguyen et al.
 D849,084 S 5/2019 Hu
 D849,817 S * 5/2019 Wang D16/218
 D850,513 S 6/2019 Gan et al.
 D852,255 S 6/2019 Guo
 D854,597 S 7/2019 Gao
 D855,675 S * 8/2019 Luo D16/202
 D857,076 S 8/2019 Gan
 D867,420 S 11/2019 Zhang
 D868,871 S 12/2019 Nguyen et al.
 D871,480 S 12/2019 Hu
 D872,162 S 1/2020 Gao
 D877,228 S 3/2020 Han et al.
 D881,254 S 4/2020 Guo
 D881,972 S 4/2020 Guo
 D887,475 S 6/2020 Hsu et al.
 D893,578 S 8/2020 Denby et al.
 D897,401 S * 9/2020 Liu D16/218
 D897,403 S * 9/2020 Liu D16/218
 D898,100 S 10/2020 Liu et al.
 D925,643 S * 7/2021 Hsu D16/218

* cited by examiner

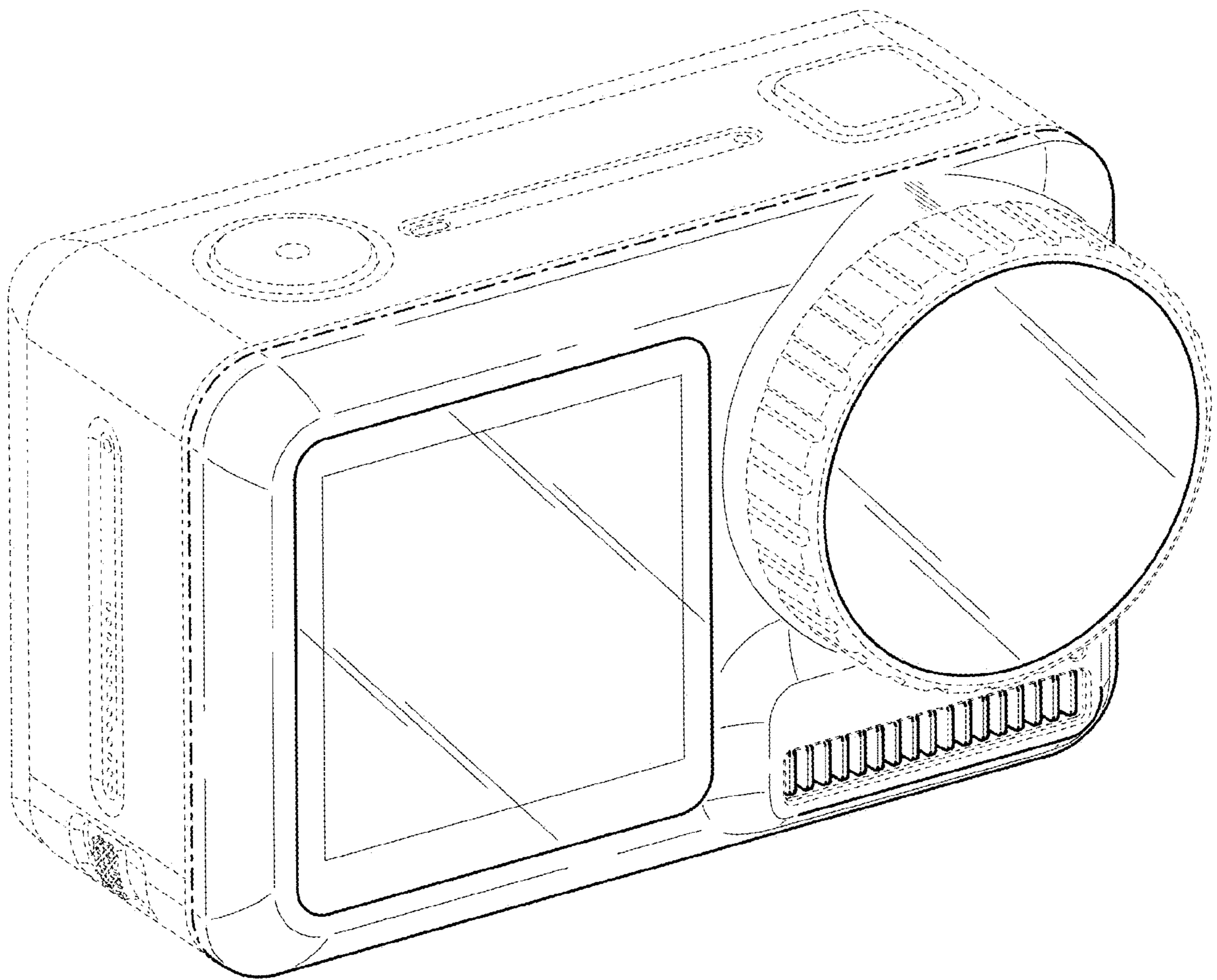


FIG. 1

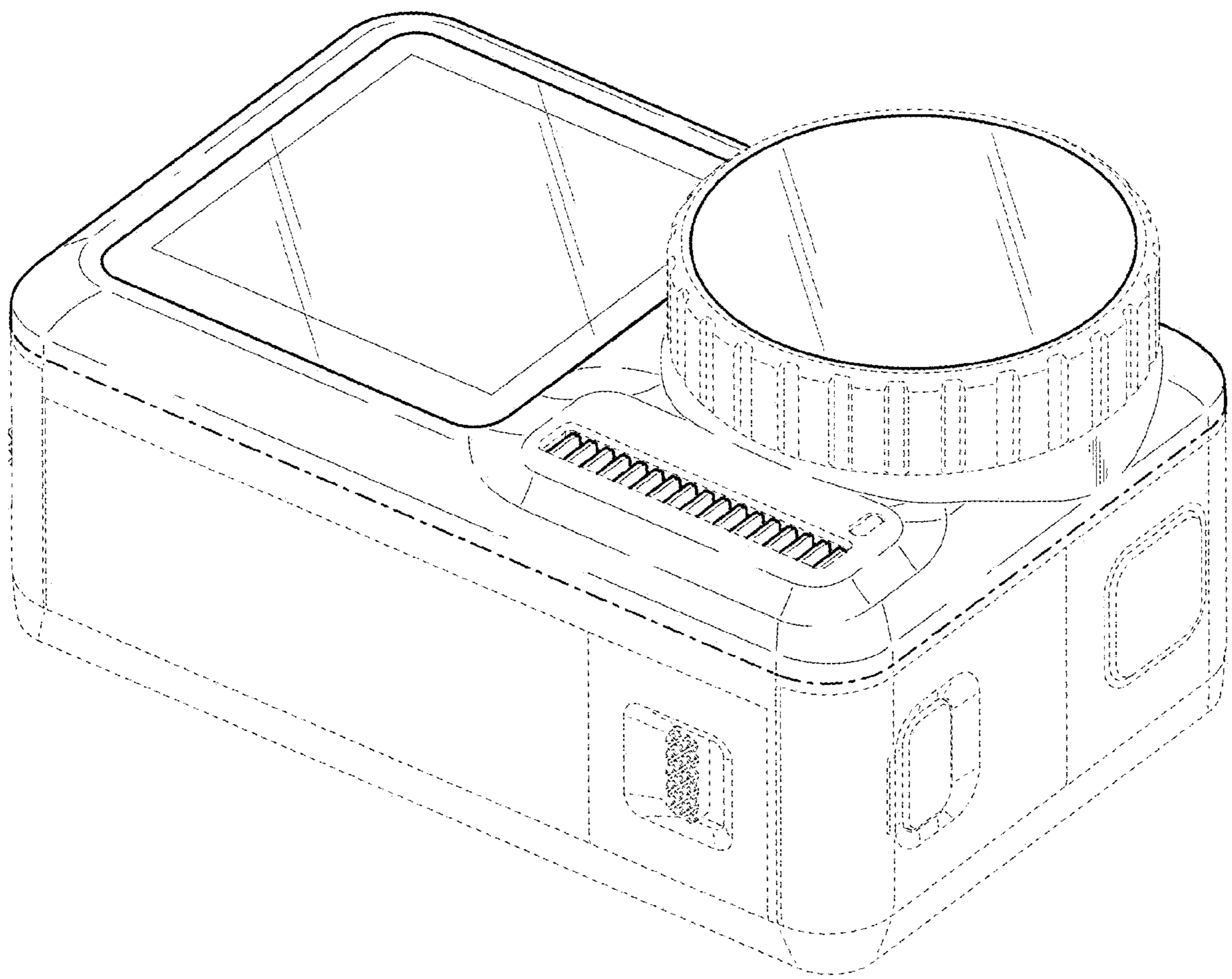


FIG. 2

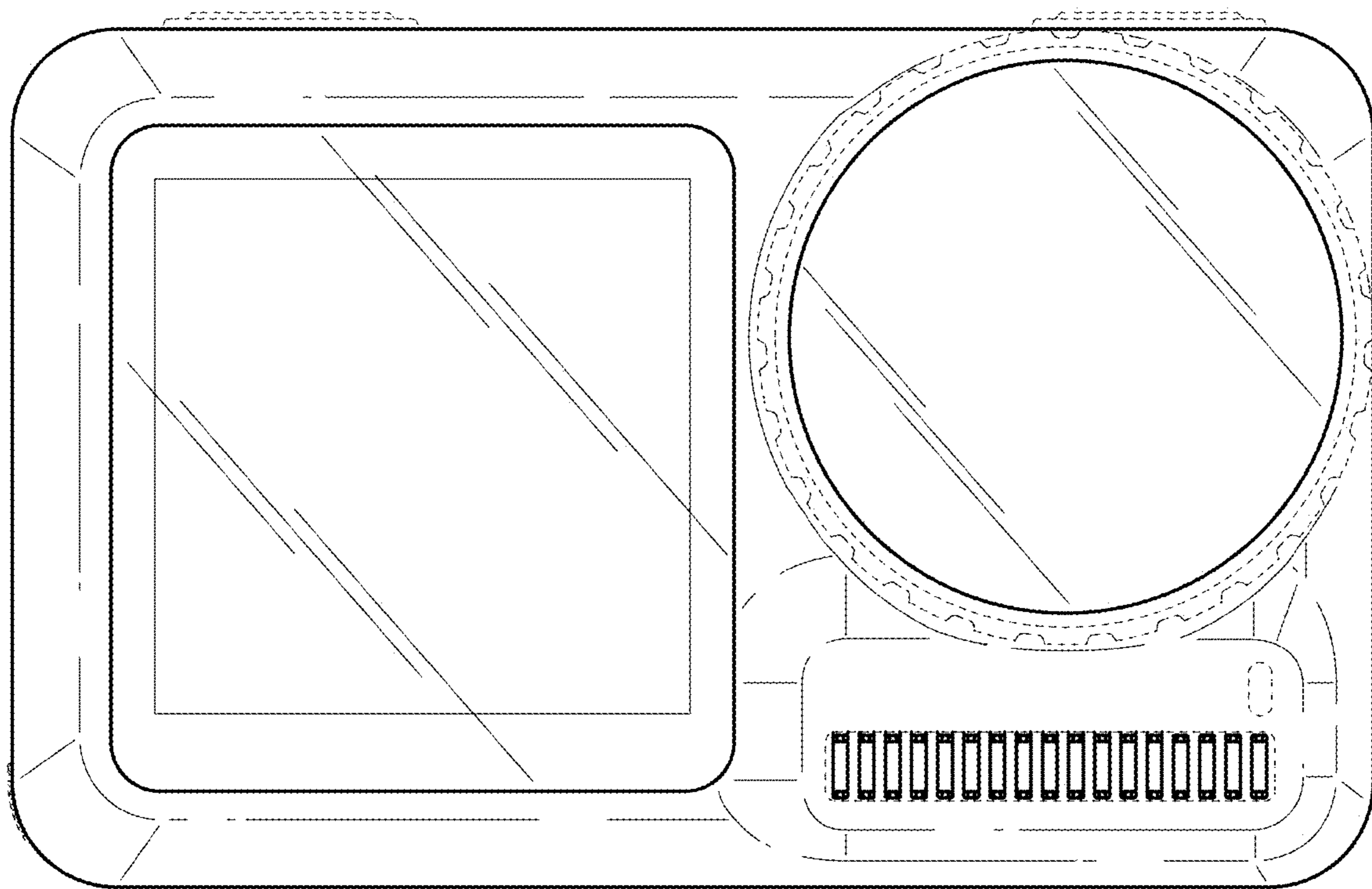


FIG. 3

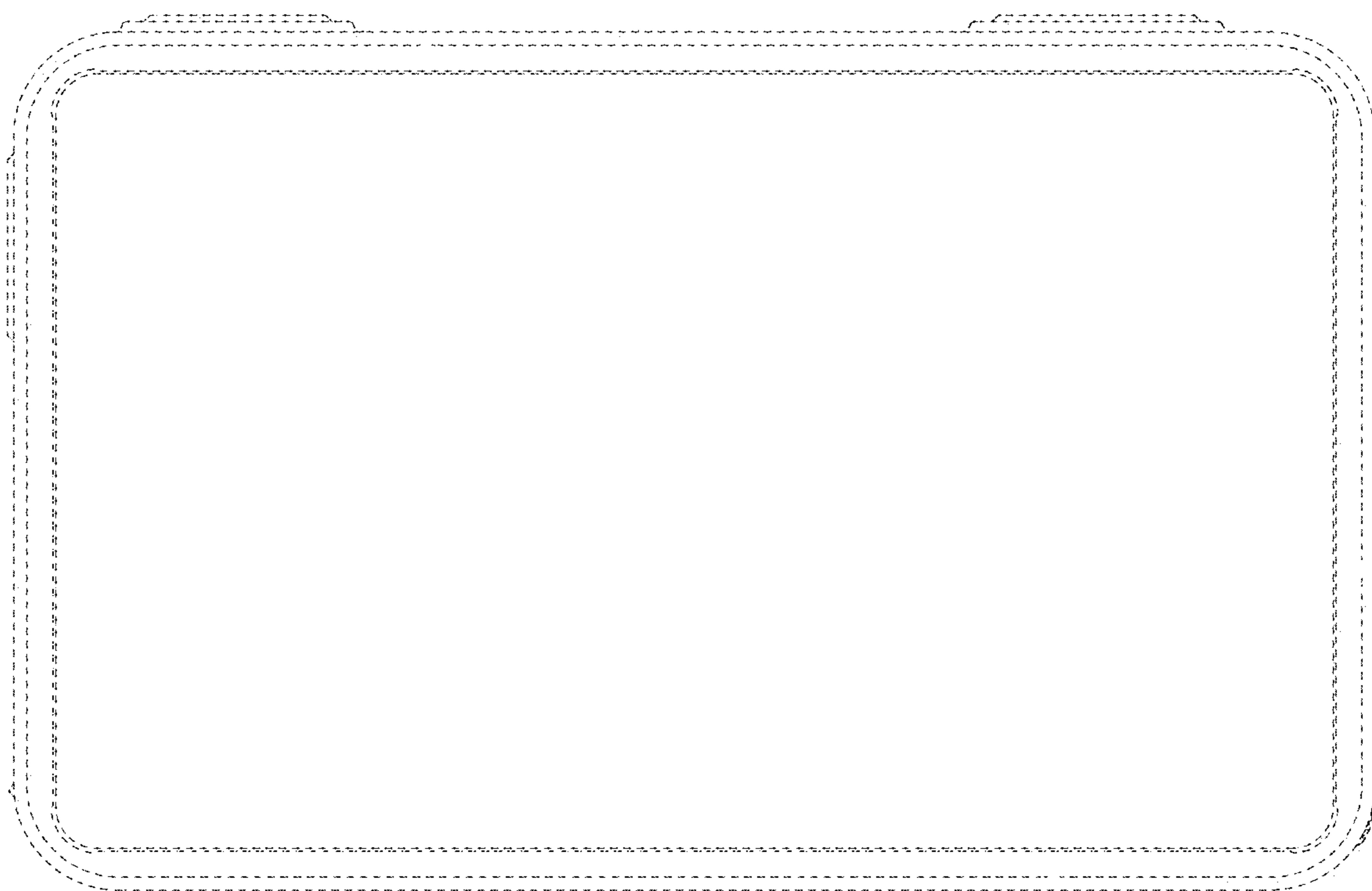


FIG. 4

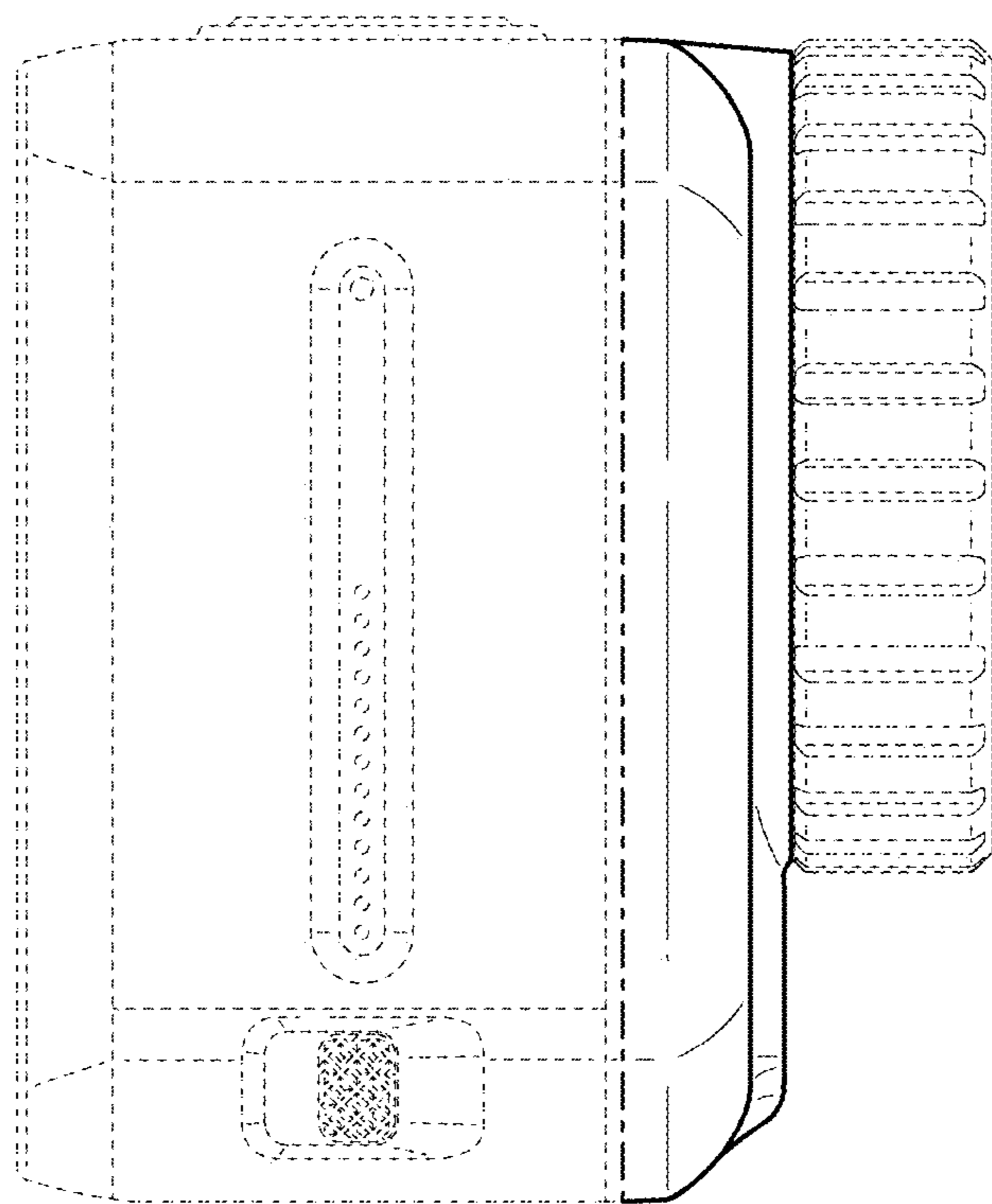


FIG. 5

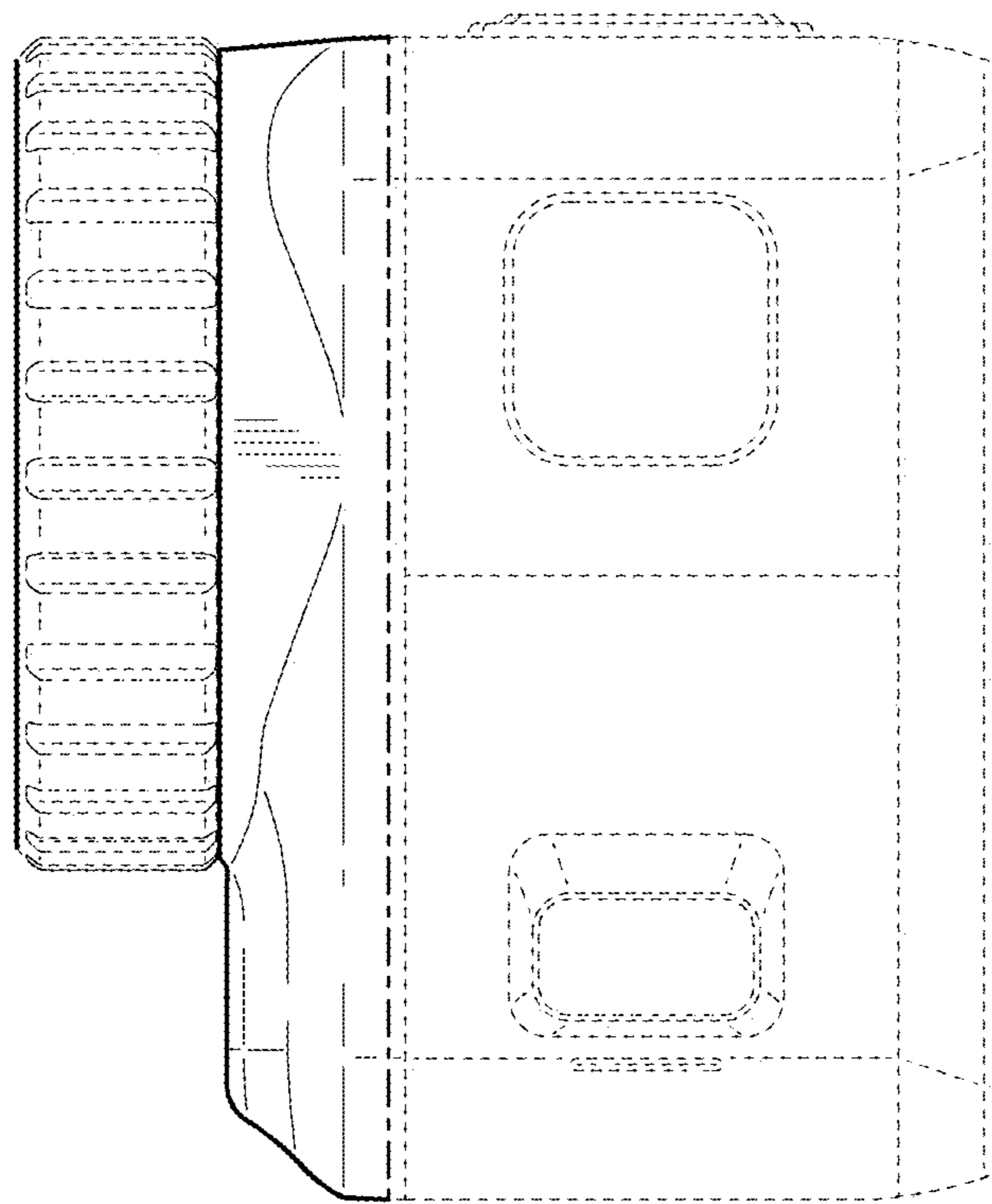


FIG. 6

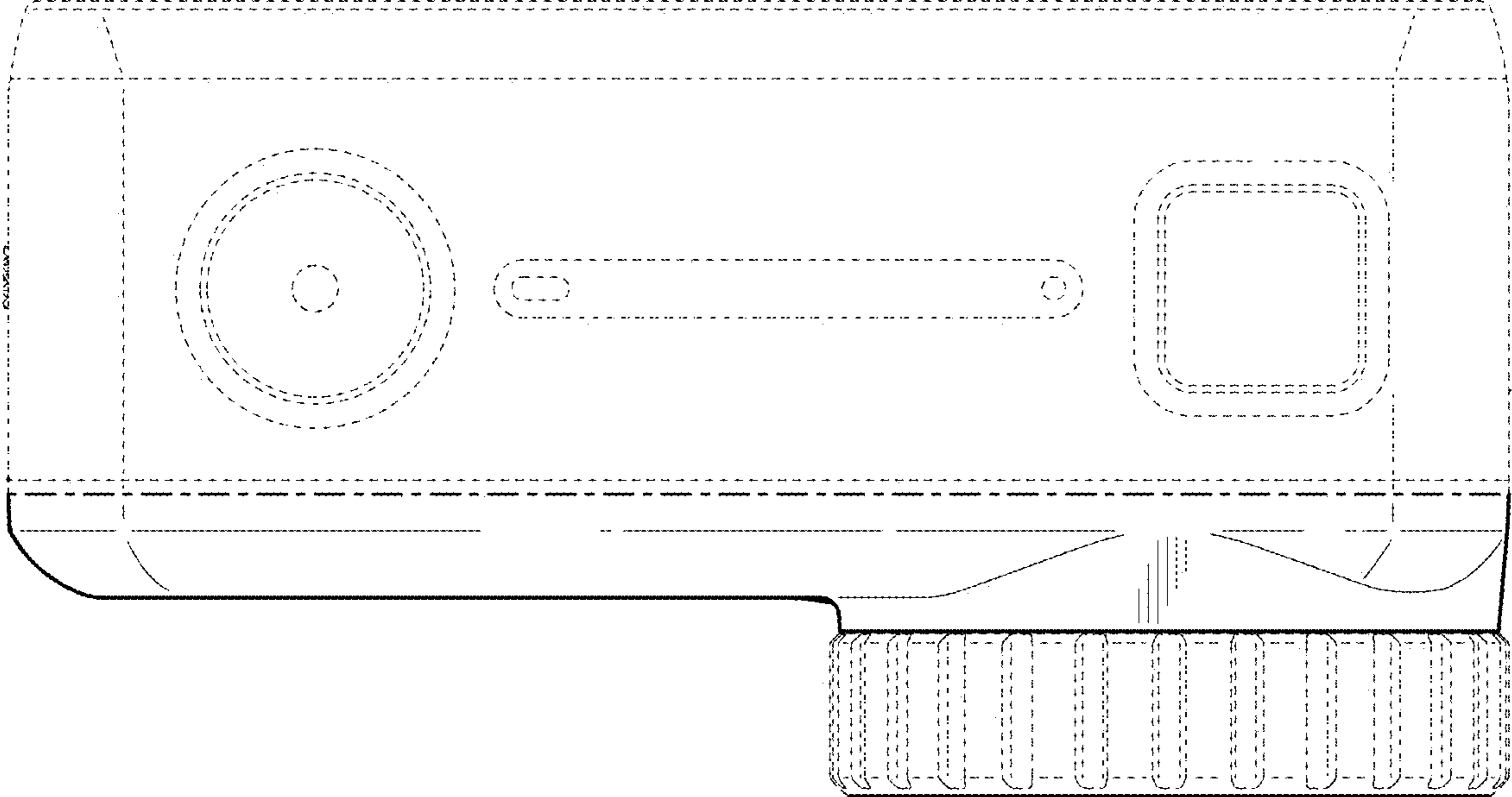


FIG. 7

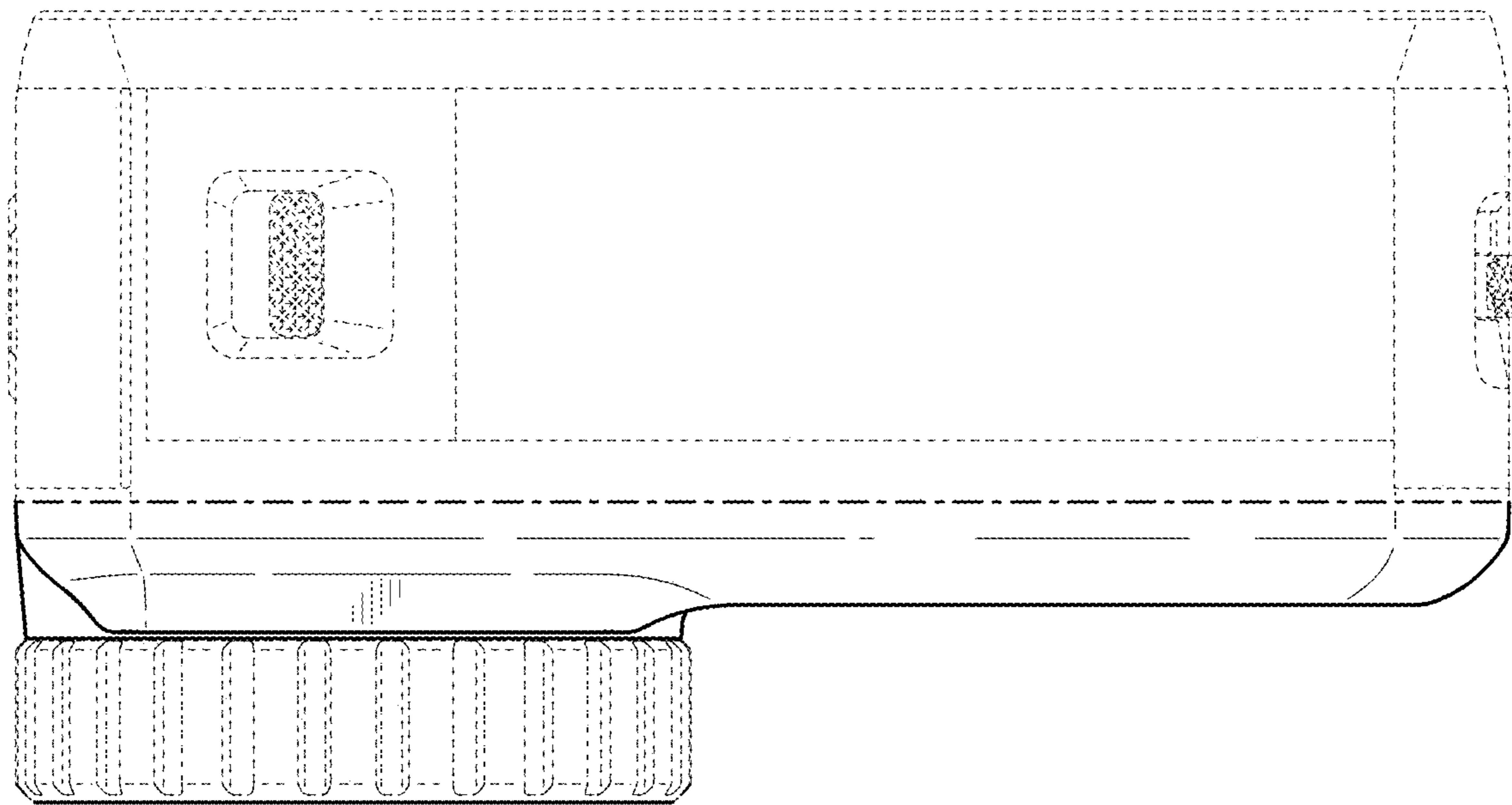


FIG. 8