



US00D942525S

(12) **United States Design Patent**
Nakamura

(10) **Patent No.:** **US D942,525 S**
(45) **Date of Patent:** **** Feb. 1, 2022**

(54) **VEHICLE-MOUNTED CAMERA**
(71) Applicant: **Mitsubishi Electric Corporation,**
Tokyo (JP)
(72) Inventor: **Mitsuo Nakamura,** Tokyo (JP)
(73) Assignee: **Mitsubishi Electric Corporation,**
Tokyo (JP)
(**) Term: **15 Years**

(21) Appl. No.: **29/730,311**
(22) Filed: **Apr. 2, 2020**

(30) **Foreign Application Priority Data**

Dec. 23, 2019 (JP) 2019-028483
(51) **LOC (13) Cl.** **16-01**
(52) **U.S. Cl.**
USPC **D16/208; D12/187**

(58) **Field of Classification Search**
USPC D16/200–208, 210, 214, 218, 219, 242;
D12/187–189; 348/373–376; 396/419,
396/427, 428, 535, 539–541
CPC G03B 15/03; G03B 17/02; G03B 17/04;
G03B 17/56; G03B 19/04; H04N 5/2251;
H04N 5/2252; H04N 5/2253; H04N
5/2254; H04N 2101/00; B60R 1/12;
B60R 19/28
See application file for complete search history.

(56) **References Cited**

U.S. PATENT DOCUMENTS

D744,573 S * 12/2015 Matsumiya D16/218
9,319,639 B1 * 4/2016 Englander B60R 1/12

9,604,576 B2 * 3/2017 Uken B60R 19/28
D834,476 S * 11/2018 Tang D12/187
D834,633 S * 11/2018 Carlson D16/208
D848,508 S * 5/2019 Hsu D16/218
D852,253 S * 6/2019 Lee D16/200
D874,541 S * 2/2020 Kapuria D16/208
D875,811 S * 2/2020 Xiong D16/208
D890,241 S * 7/2020 Abdul D16/208
D907,098 S * 1/2021 Xiong D16/208
D922,470 S * 6/2021 Wang D16/208
D925,643 S * 7/2021 Hsu D16/218

* cited by examiner

Primary Examiner — Ramzi Almatrahi

(74) *Attorney, Agent, or Firm* — Studebaker & Brackett
PC

(57) **CLAIM**

The ornamental design for a vehicle-mounted camera, as shown and described.

DESCRIPTION

FIG. 1 is a front, top, and right side perspective view of a vehicle-mounted camera showing my new design;
FIG. 2 is a rear, bottom, and left side perspective view thereof;
FIG. 3 is a front view thereof;
FIG. 4 is a rear view thereof;
FIG. 5 is a top view thereof;
FIG. 6 is a bottom view thereof;
FIG. 7 is a right side view thereof; and,
FIG. 8 is a left side view thereof.
The broken lines depict portions of the vehicle-mounted camera in which the design is embodied that form no part of the claimed design.

1 Claim, 8 Drawing Sheets

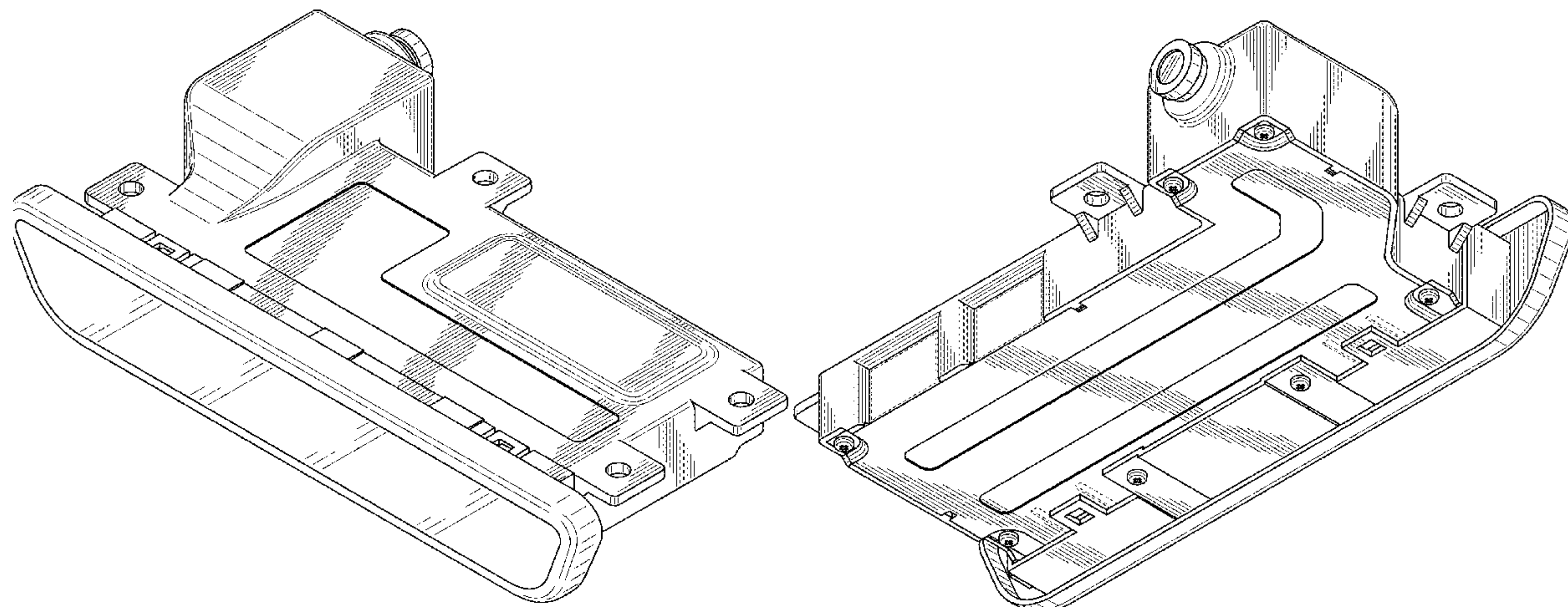


FIG. 1

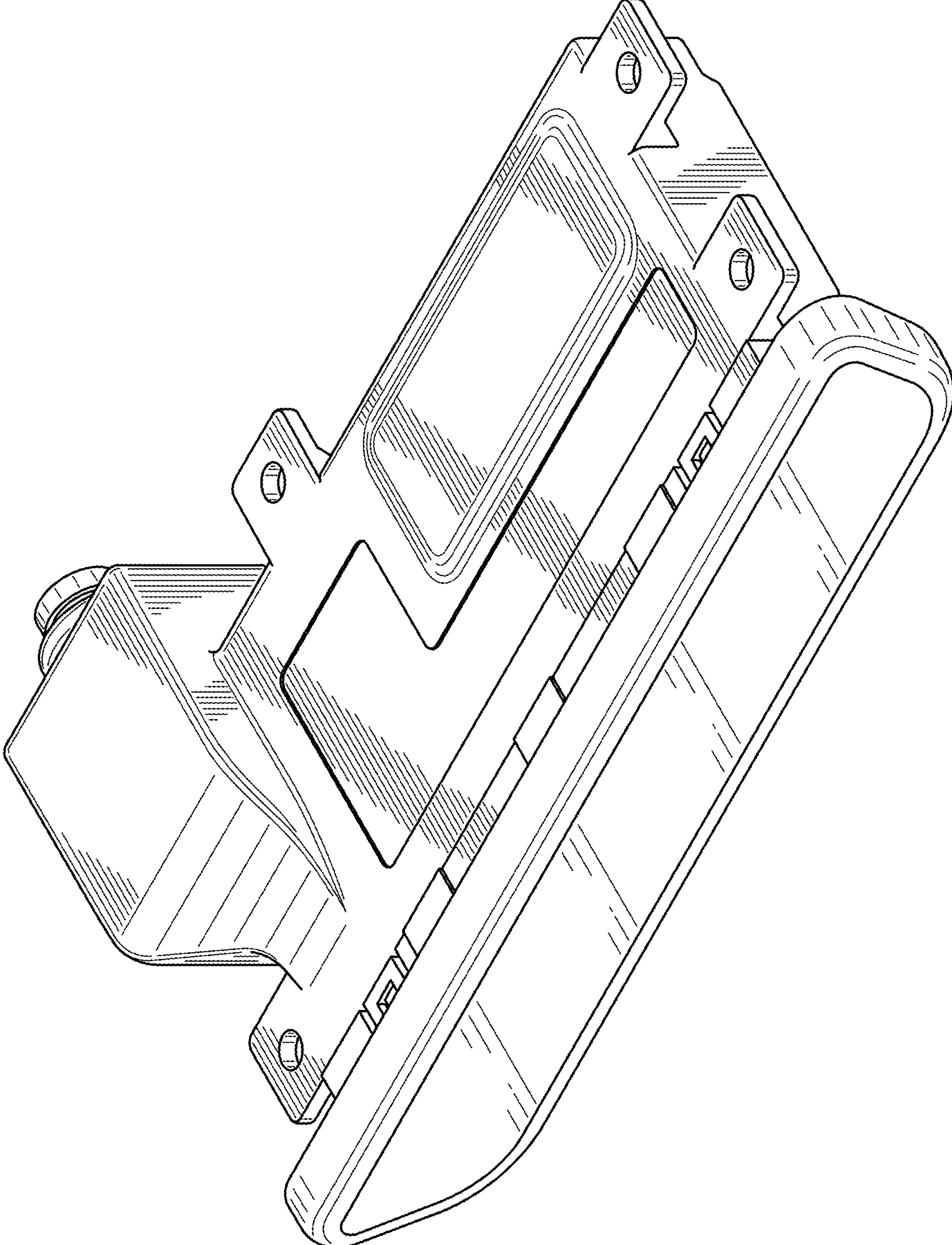


FIG. 2

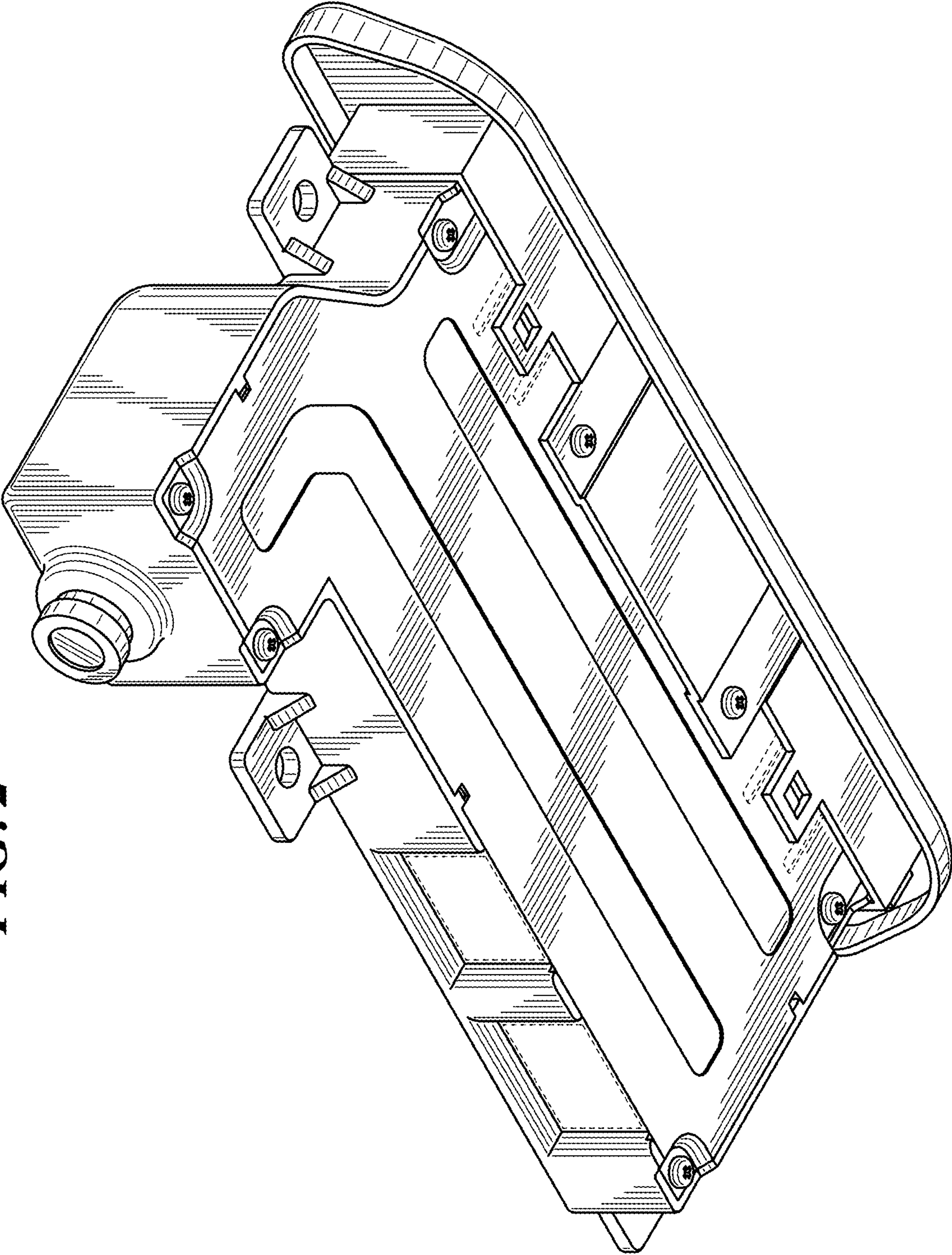


FIG. 3

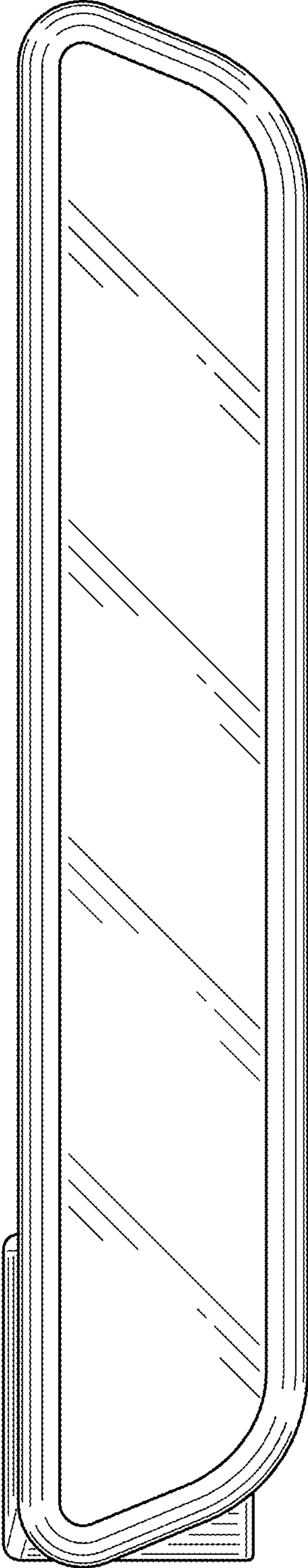


FIG. 4

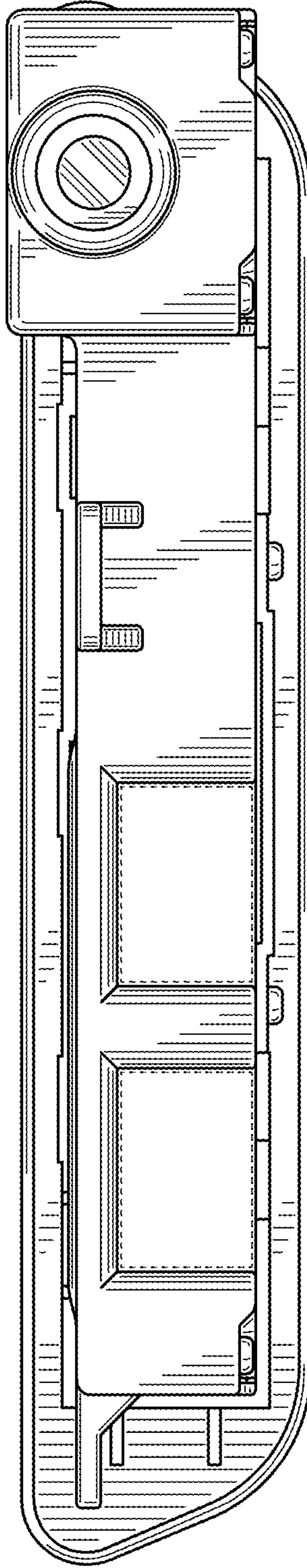


FIG. 5

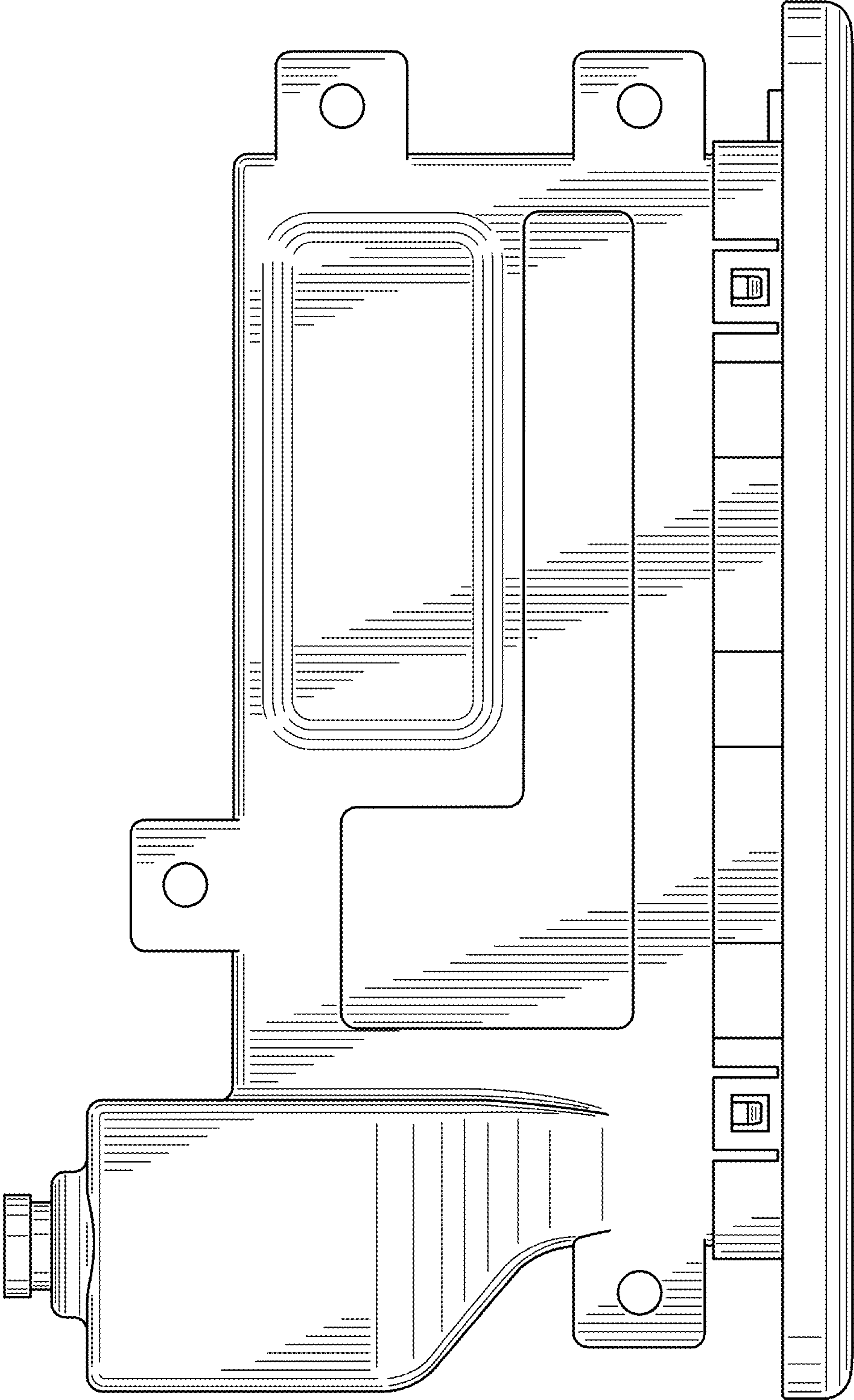


FIG. 6

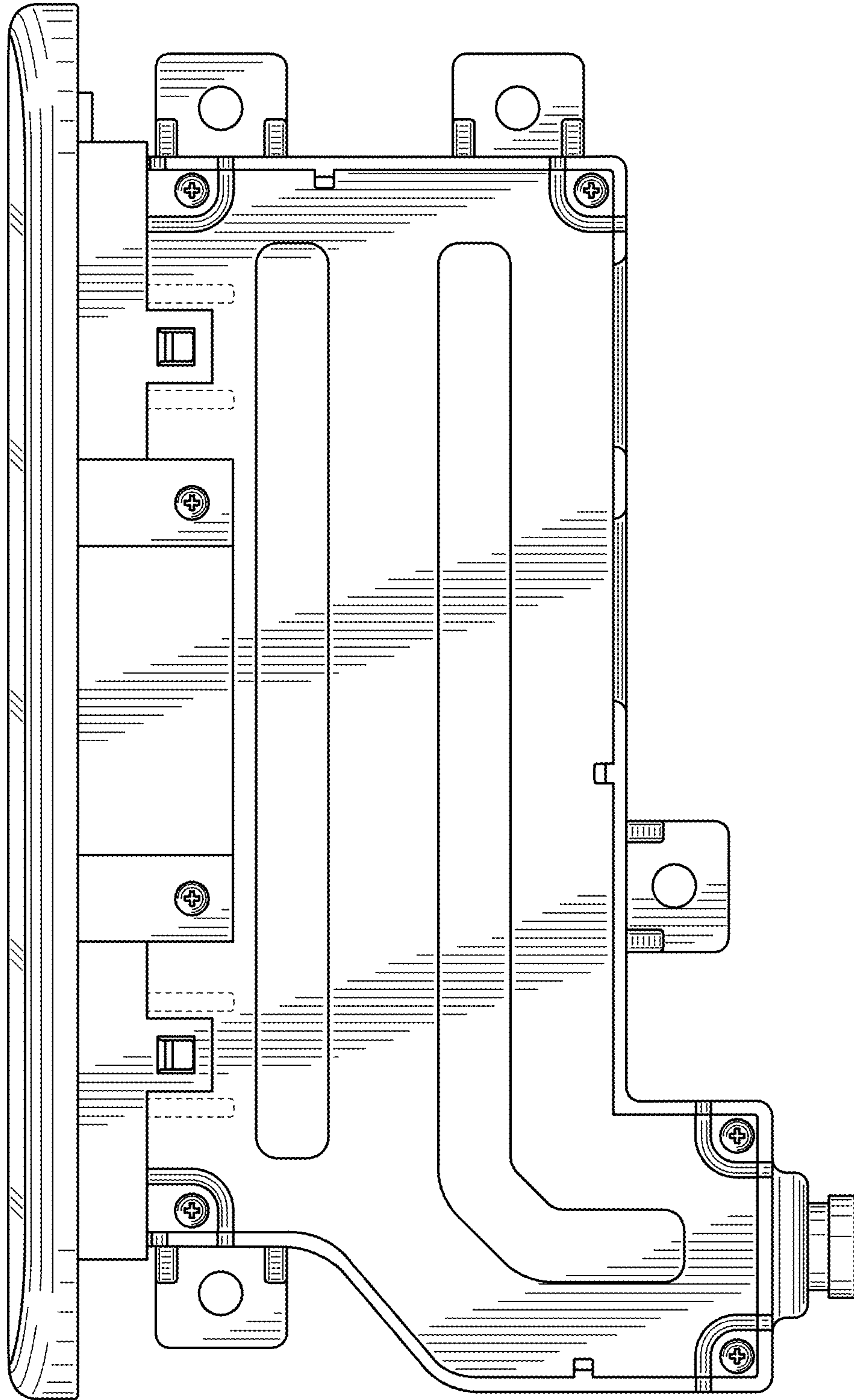


FIG. 7

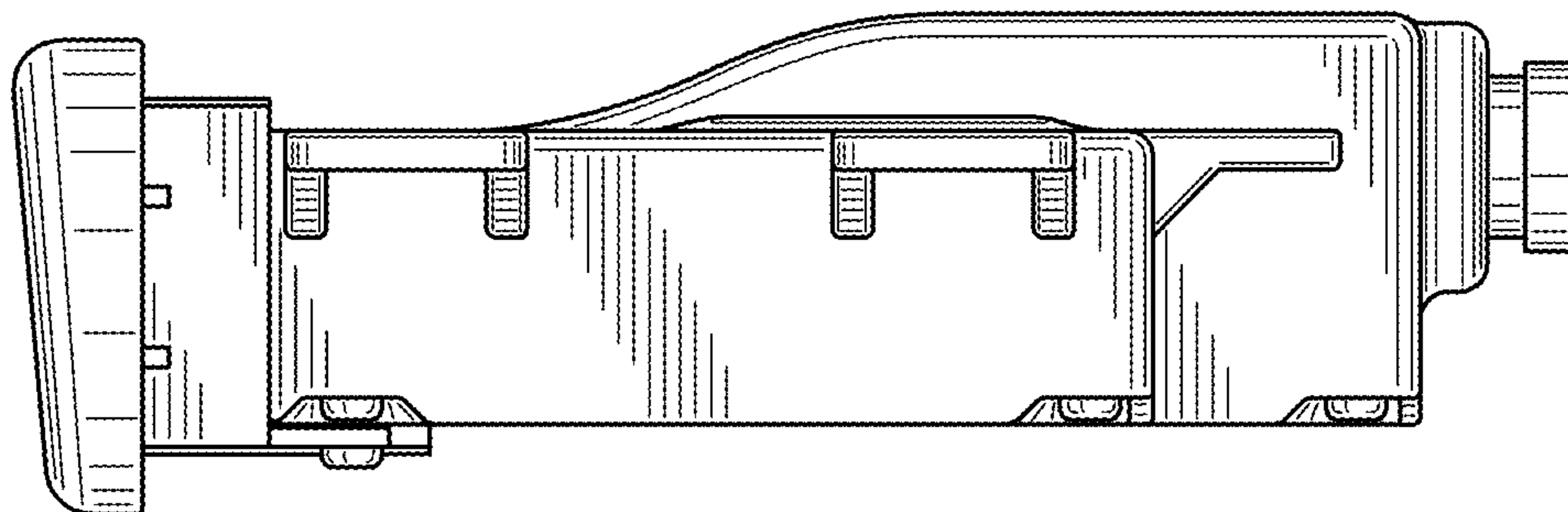


FIG. 8

