

US00D942524S

(12) **United States Design Patent**
Xu et al.

(10) **Patent No.: US D942,524 S**
(45) **Date of Patent: ** Feb. 1, 2022**

(54) **SOLAR MONITORING CAMERA**
(71) Applicant: **SHENZHEN RUIBOSI ELECTRONIC CO., LTD.**, Shenzhen (CN)
(72) Inventors: **Haifei Xu**, Shenzhen (CN); **Huiqiang Zhong**, Shenzhen (CN)
(73) Assignee: **SHENZHEN RUIBOSI ELECTRONIC CO., LTD.**, Shenzhen (CN)
(**) Term: **15 Years**

(21) Appl. No.: **29/741,400**
(22) Filed: **Jul. 13, 2020**

(30) **Foreign Application Priority Data**

Apr. 13, 2020 (CN) 202030145263.8

(51) **LOC (13) Cl.** **16-01**
(52) **U.S. Cl.**
USPC **D16/203**

(58) **Field of Classification Search**
USPC D16/200, 202–206, 218, 219, 242; 348/143, 148, 151, 373–376; 396/419, 396/427, 535, 539–541
CPC G03B 17/02; G03B 19/04; G03B 17/56; G03B 17/04; G03B 15/03; H04N 5/2251; H04N 5/2252; H04N 5/2253; H04N 5/2254; H04N 7/181; H04N 7/183; H04N 7/18; G08B 13/1963; G08B 13/19619; G08B 13/19632; F16M 11/04; F16M 13/00

See application file for complete search history.

(56) **References Cited**

U.S. PATENT DOCUMENTS

D424,087	S	*	5/2000	Frick	396/427
D461,485	S	*	8/2002	Jones	396/427
7,306,383	B2	*	12/2007	Jones	G08B 13/19619 348/373
D651,068	S	*	12/2011	Kang	D8/363
D701,258	S	*	3/2014	Huang	D16/203
D734,379	S	*	7/2015	Tankersley	D16/203
D818,026	S	*	5/2018	Ravat	D16/203
D824,446	S	*	7/2018	Ravat	D16/203
D824,447	S	*	7/2018	Li	D16/203
D863,399	S	*	10/2019	Li	D16/203
D901,571	S	*	11/2020	Liu	D16/203
D924,961	S	*	7/2021	Xu	D16/203
2013/0286280	A1	*	10/2013	Siann	H01L 31/0504 348/372

* cited by examiner

Primary Examiner — Ramzi Almatrahi

(74) *Attorney, Agent, or Firm* — Li & Cai Intellectual Property (USA) Office

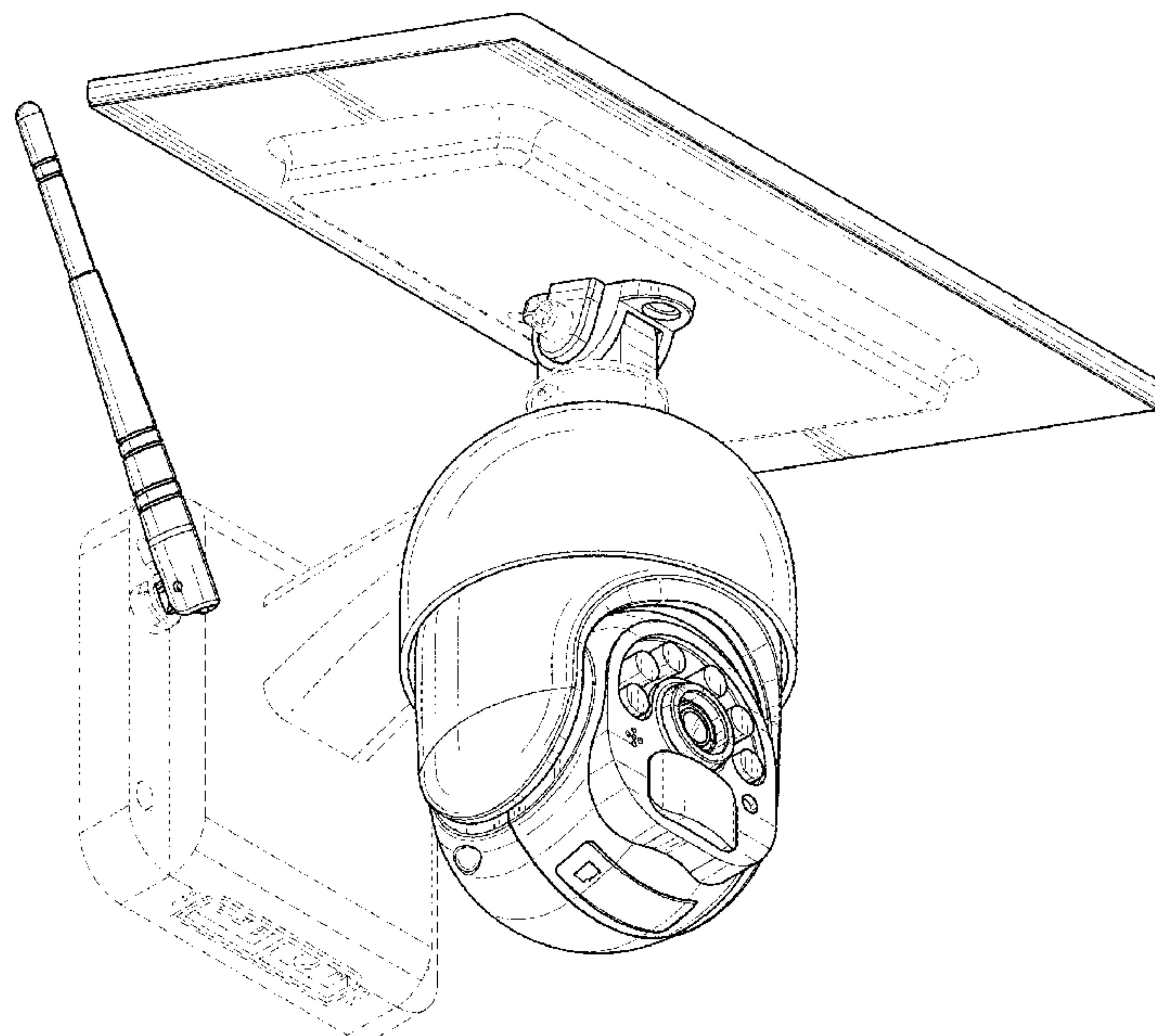
(57) **CLAIM**

The ornamental design for a solar monitoring camera, as shown and described.

DESCRIPTION

FIG. 1 is a bottom, front and left side perspective view of a solar monitoring camera showing our new design; FIG. 2 is a front elevational view thereof; FIG. 3 is a rear elevational view thereof; FIG. 4 is a left side elevational view thereof; FIG. 5 is a right side elevational view thereof; FIG. 6 is a top plan view thereof; and, FIG. 7 is a bottom plan view thereof. The broken lines in the drawing depict portions of the solar monitoring camera that form no part of the claimed design.

1 Claim, 7 Drawing Sheets



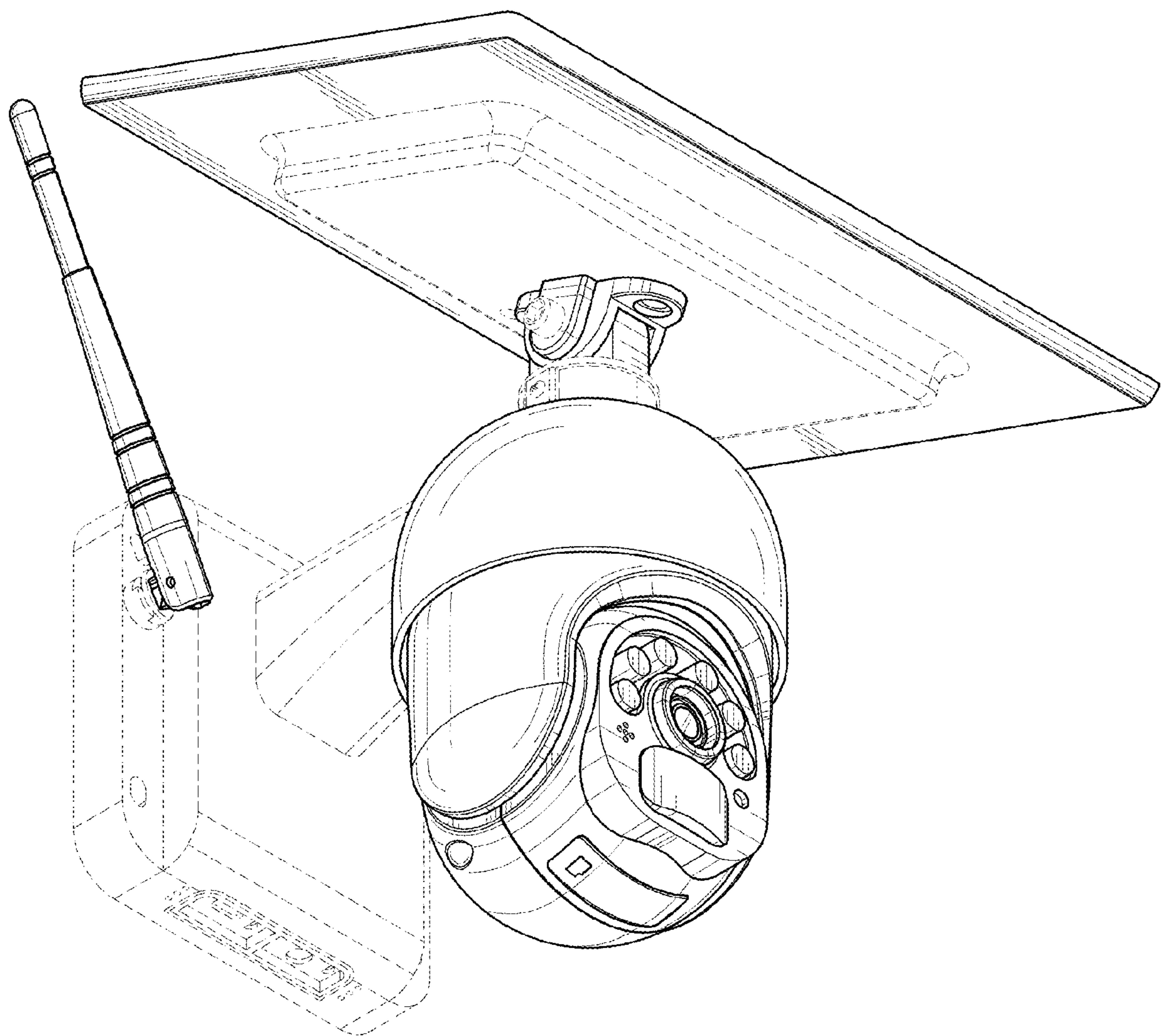


FIG. 1

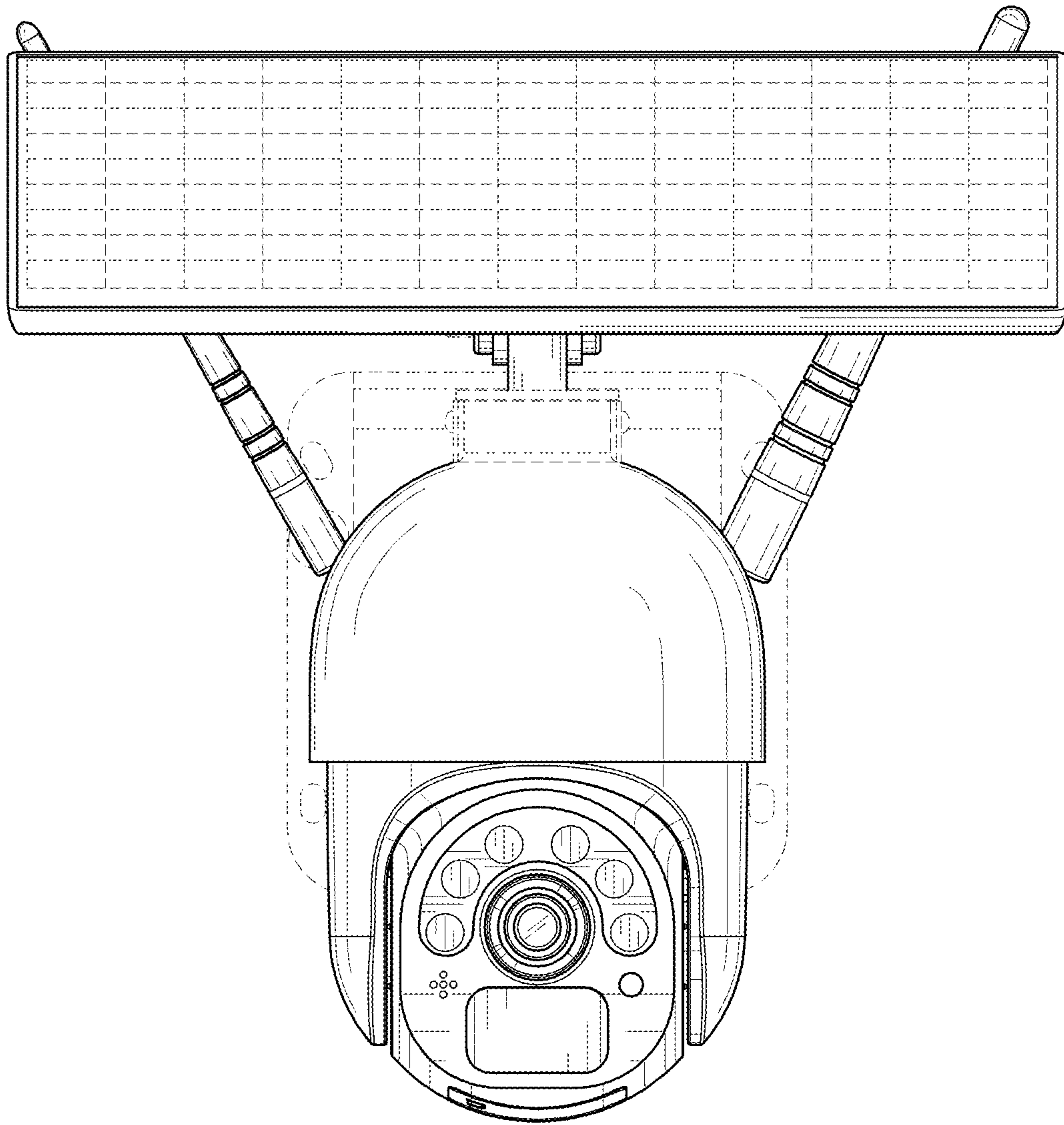


FIG. 2

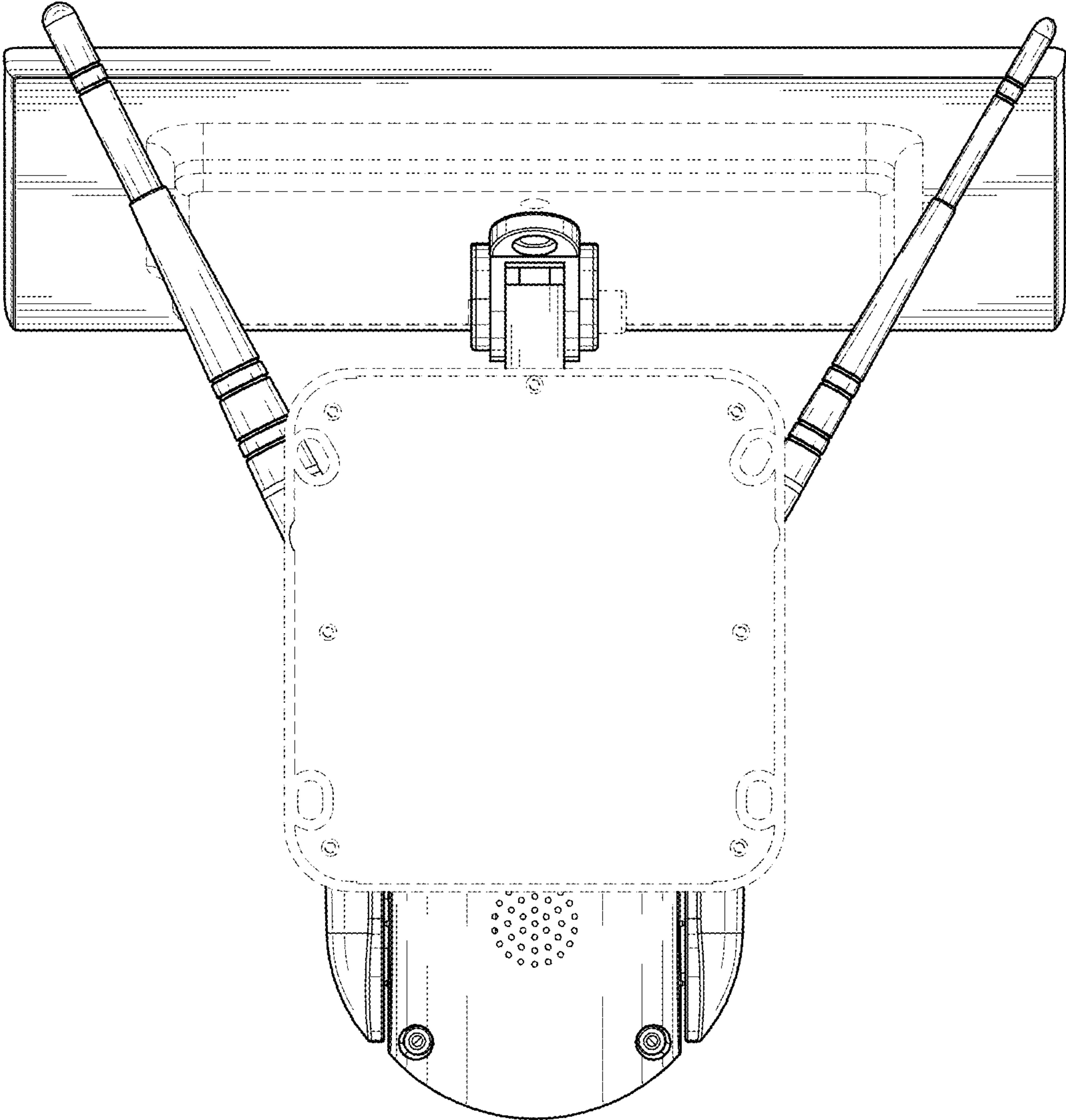


FIG. 3

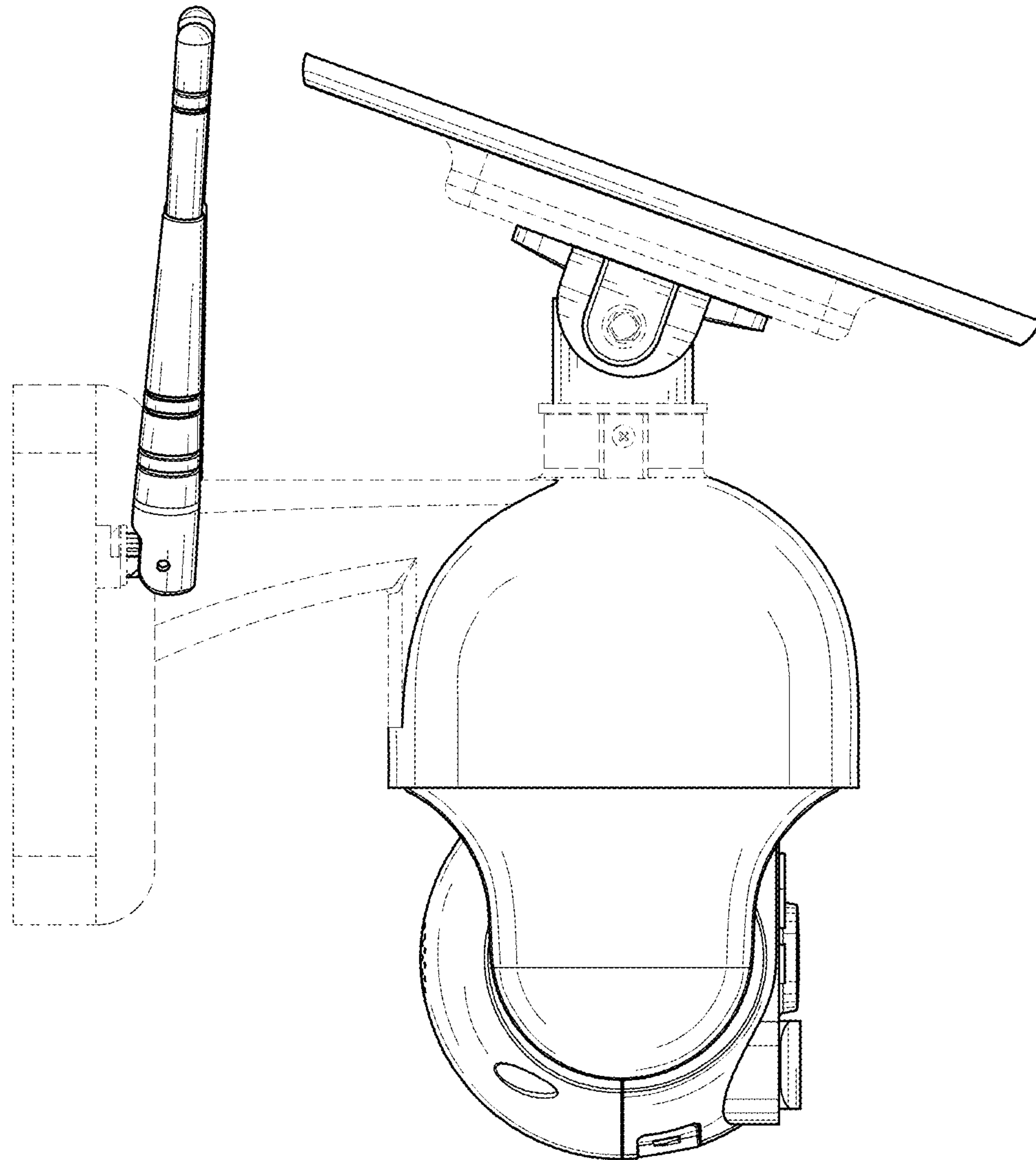


FIG. 4

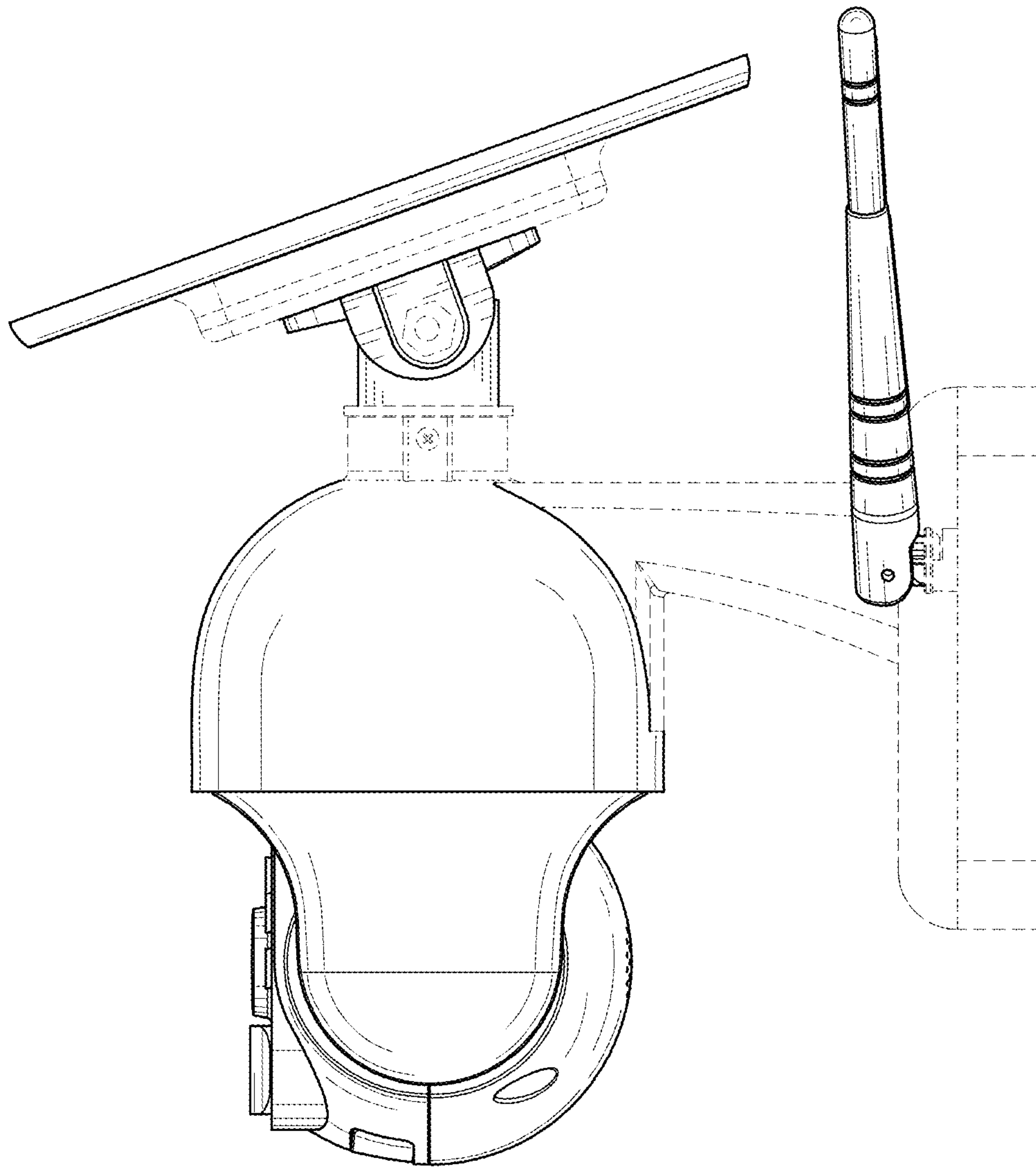


FIG. 5

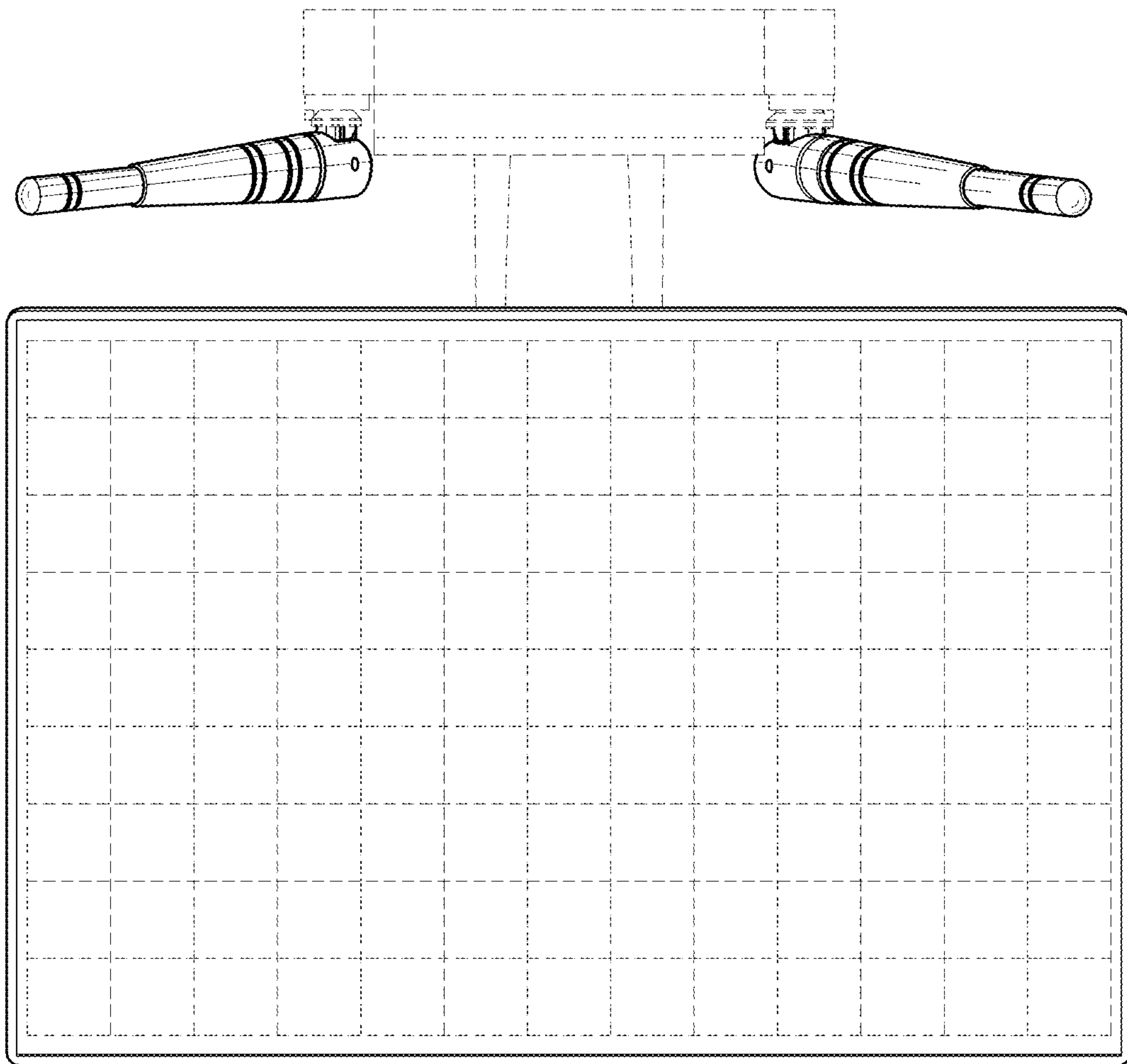


FIG. 6

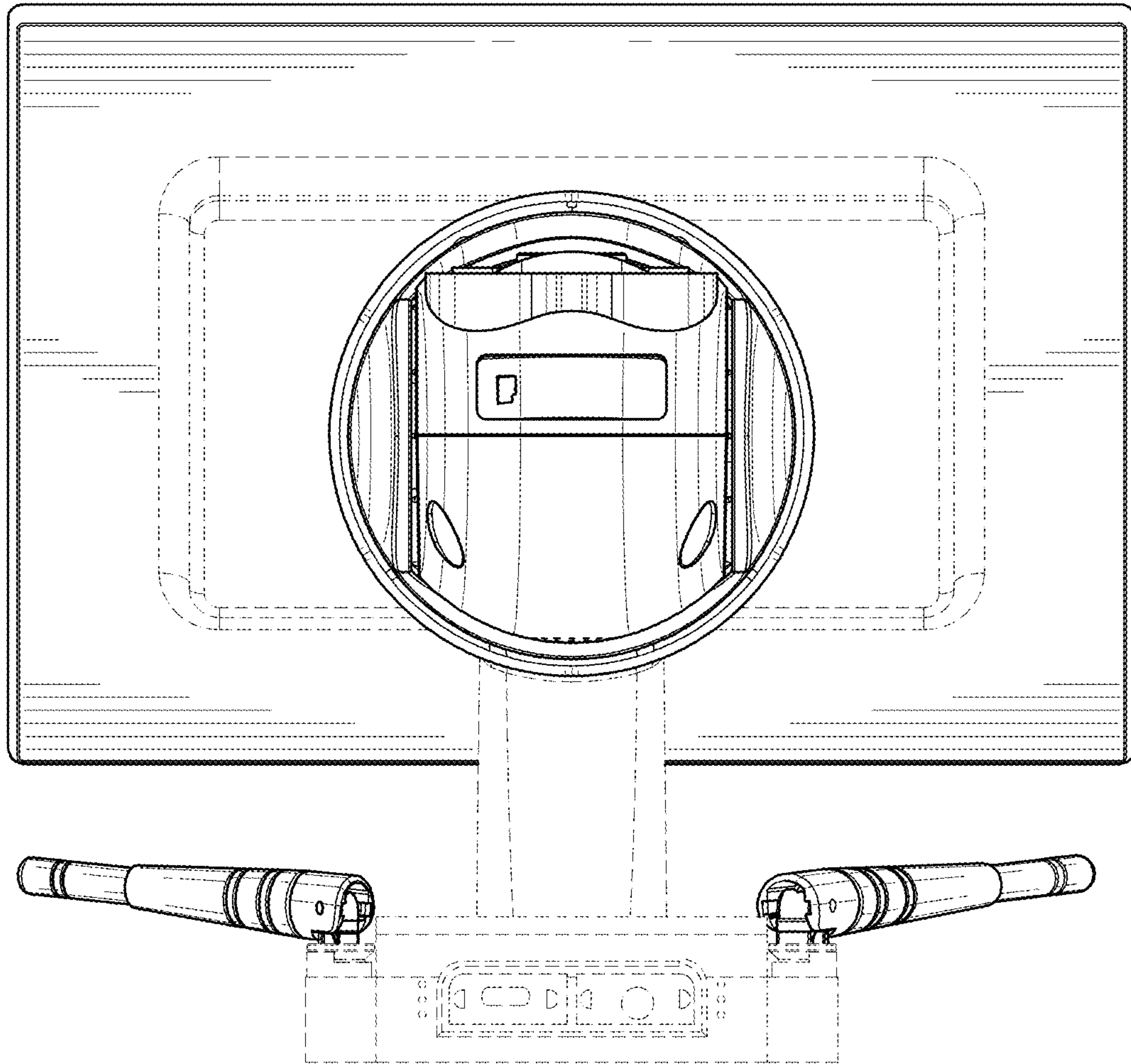


FIG. 7