



US00D942523S

(12) **United States Design Patent**  
**Imai**

(10) **Patent No.:** **US D942,523 S**  
(45) **Date of Patent:** **\*\* Feb. 1, 2022**

(54) **DIGITAL CAMERA**

(71) Applicant: **FUJIFILM Corporation**, Tokyo (JP)

(72) Inventor: **Masazumi Imai**, Saitama (JP)

(73) Assignee: **FUJIFILM Corporation**, Tokyo (JP)

(\*\*) Term: **15 Years**

(21) Appl. No.: **29/716,160**

(22) Filed: **Dec. 6, 2019**

(30) **Foreign Application Priority Data**

Jun. 28, 2019 (JP) ..... 2019-014536

(51) **LOC (13) Cl.** ..... **16-01**

(52) **U.S. Cl.**  
USPC ..... **D16/202**

(58) **Field of Classification Search**

USPC ..... D16/200, 202-206, 208, 209, 218, 219;  
348/294, 373-376; 359/826; 396/6, 301,  
396/529, 535, 539-541

CPC ..... G03B 15/03; G03B 17/02; G03B 17/04;  
G03B 17/08; G03B 17/56; G03B 19/04;  
H04N 5/2251; H04N 5/2252; H04N  
5/2253; H04N 5/2254; H04N 2101/00

See application file for complete search history.

(56) **References Cited**

**U.S. PATENT DOCUMENTS**

D649,997 S \* 12/2011 Imai ..... D16/202  
D657,408 S \* 4/2012 Tainaka ..... D16/202

D681,710 S \* 5/2013 Sato ..... D16/200  
D698,839 S \* 2/2014 Sato ..... D16/200  
D712,947 S \* 9/2014 Chai ..... D16/202  
D712,948 S \* 9/2014 Chai ..... D16/202  
D716,862 S \* 11/2014 Hoshi ..... D16/202  
D749,659 S \* 2/2016 Kamei ..... D16/202  
D794,693 S \* 8/2017 Sato ..... D16/202  
D875,804 S \* 2/2020 Li ..... D16/202  
D883,356 S \* 5/2020 Ikegame ..... D16/202  
D894,249 S \* 8/2020 Kamei ..... D16/202  
D914,782 S \* 3/2021 Huang ..... D16/202

\* cited by examiner

*Primary Examiner* — Ramzi Almatrahi

(74) *Attorney, Agent, or Firm* — Studebaker & Brackett  
PC

(57) **CLAIM**

The ornamental design for a digital camera, as shown and described.

**DESCRIPTION**

FIG. 1 is a front perspective view of a digital camera, showing the new design;  
FIG. 2 is a rear perspective view thereof;  
FIG. 3 is a front view thereof;  
FIG. 4 is a rear view thereof;  
FIG. 5 is a right side view thereof;  
FIG. 6 is a left side view thereof;  
FIG. 7 is a top view thereof; and,  
FIG. 8 is a bottom view thereof.

The broken lines illustrate portions of the digital camera and form no part of the claimed design.

**1 Claim, 8 Drawing Sheets**

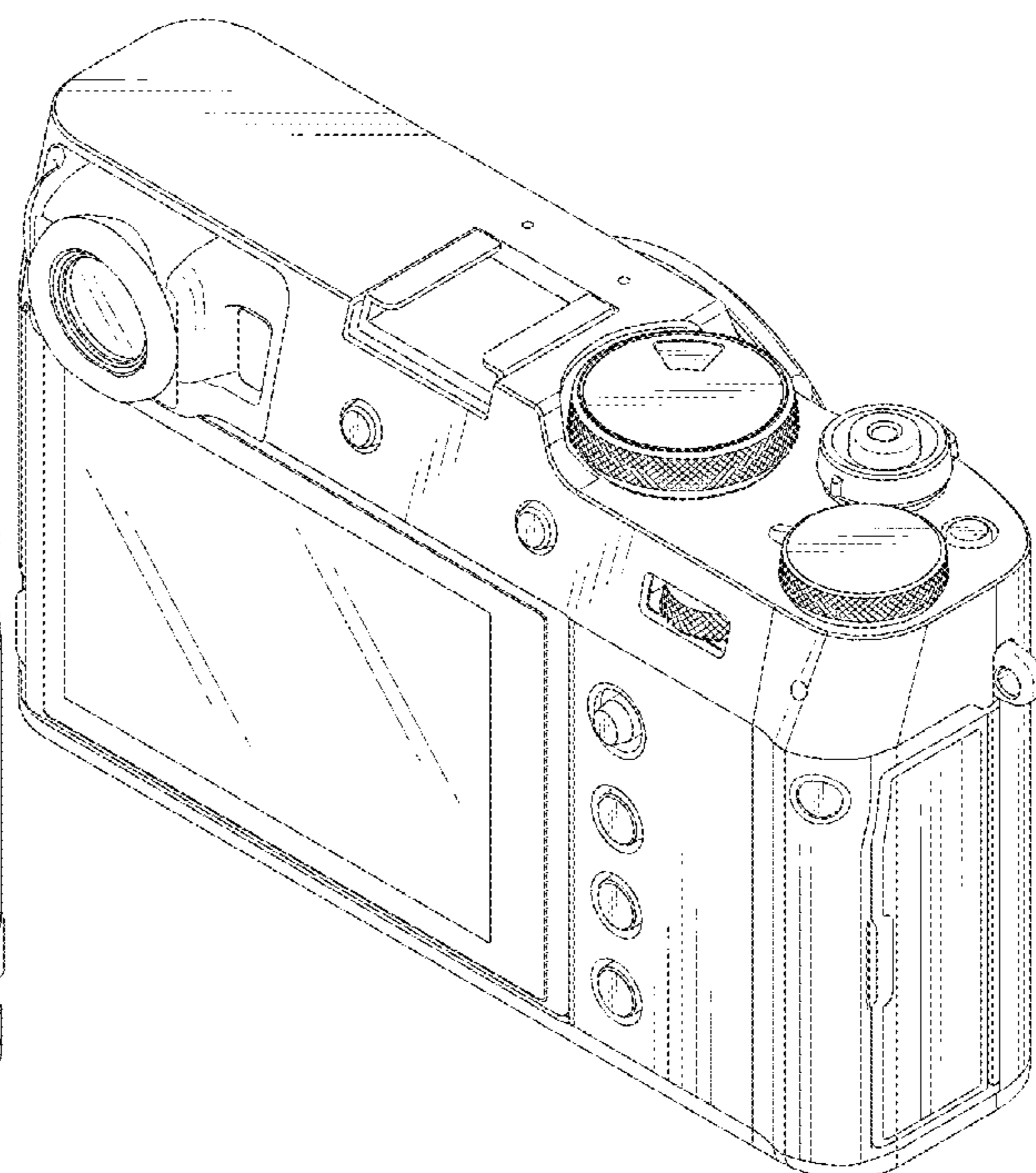
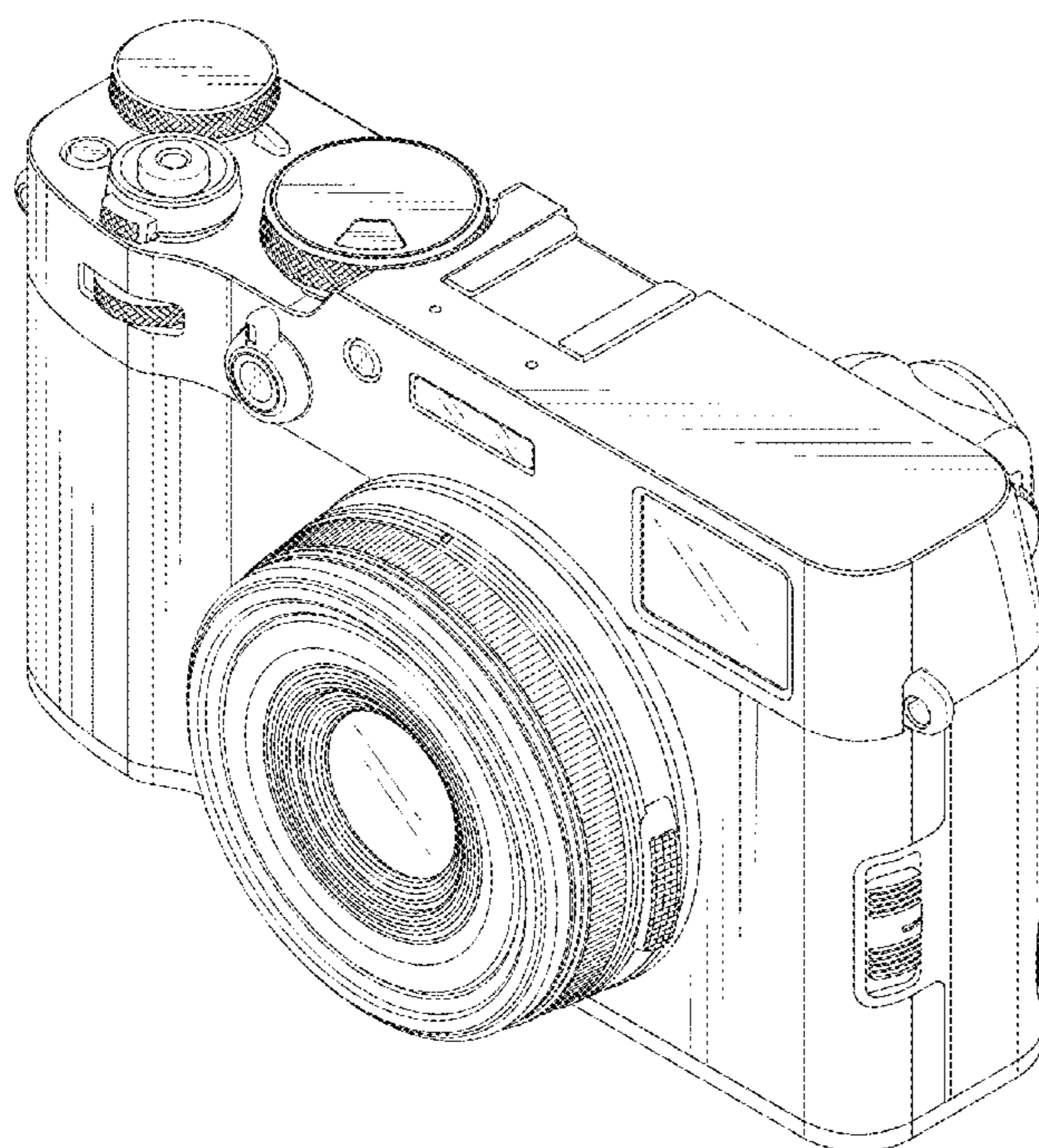


FIG.1

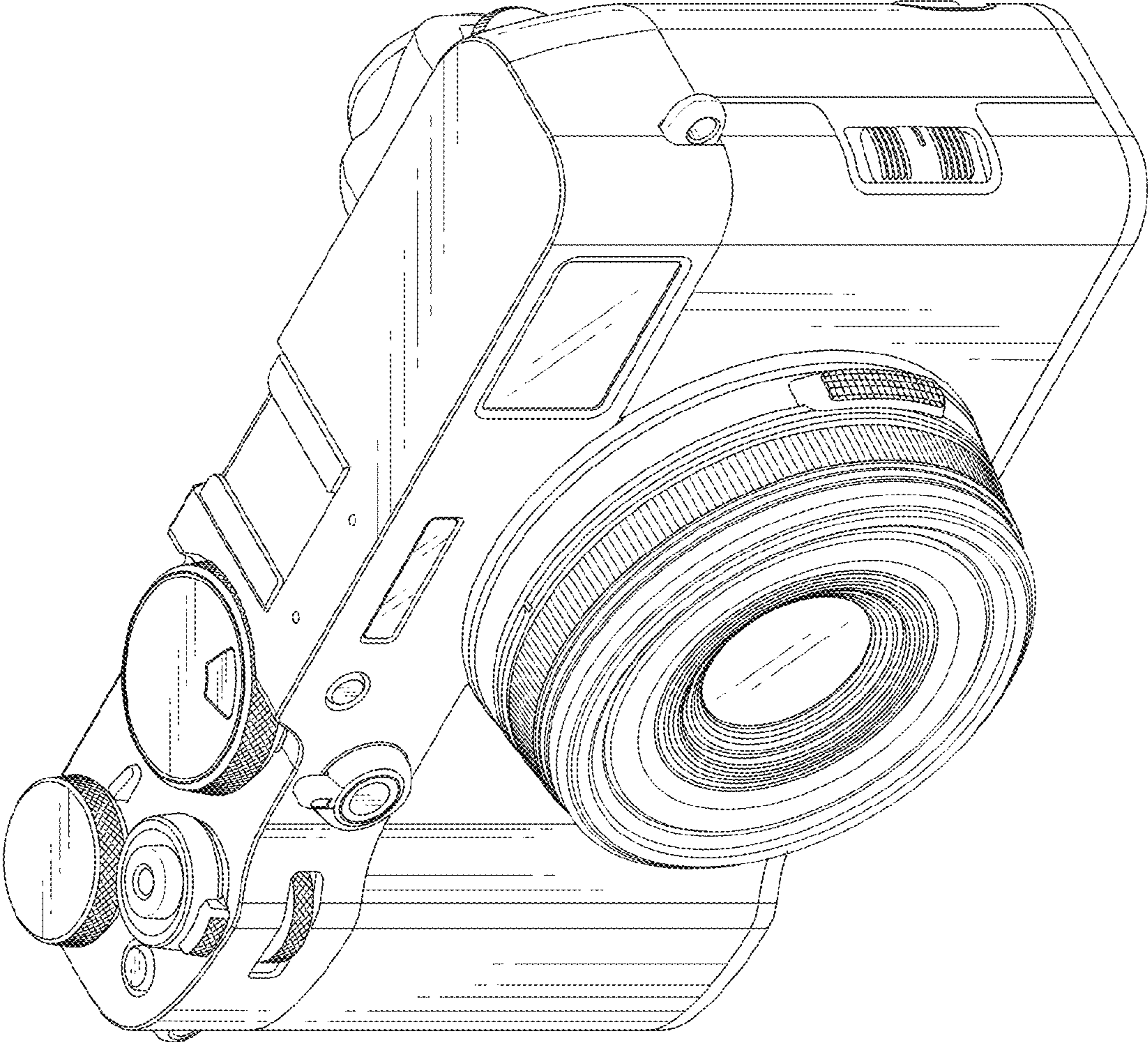


FIG.2

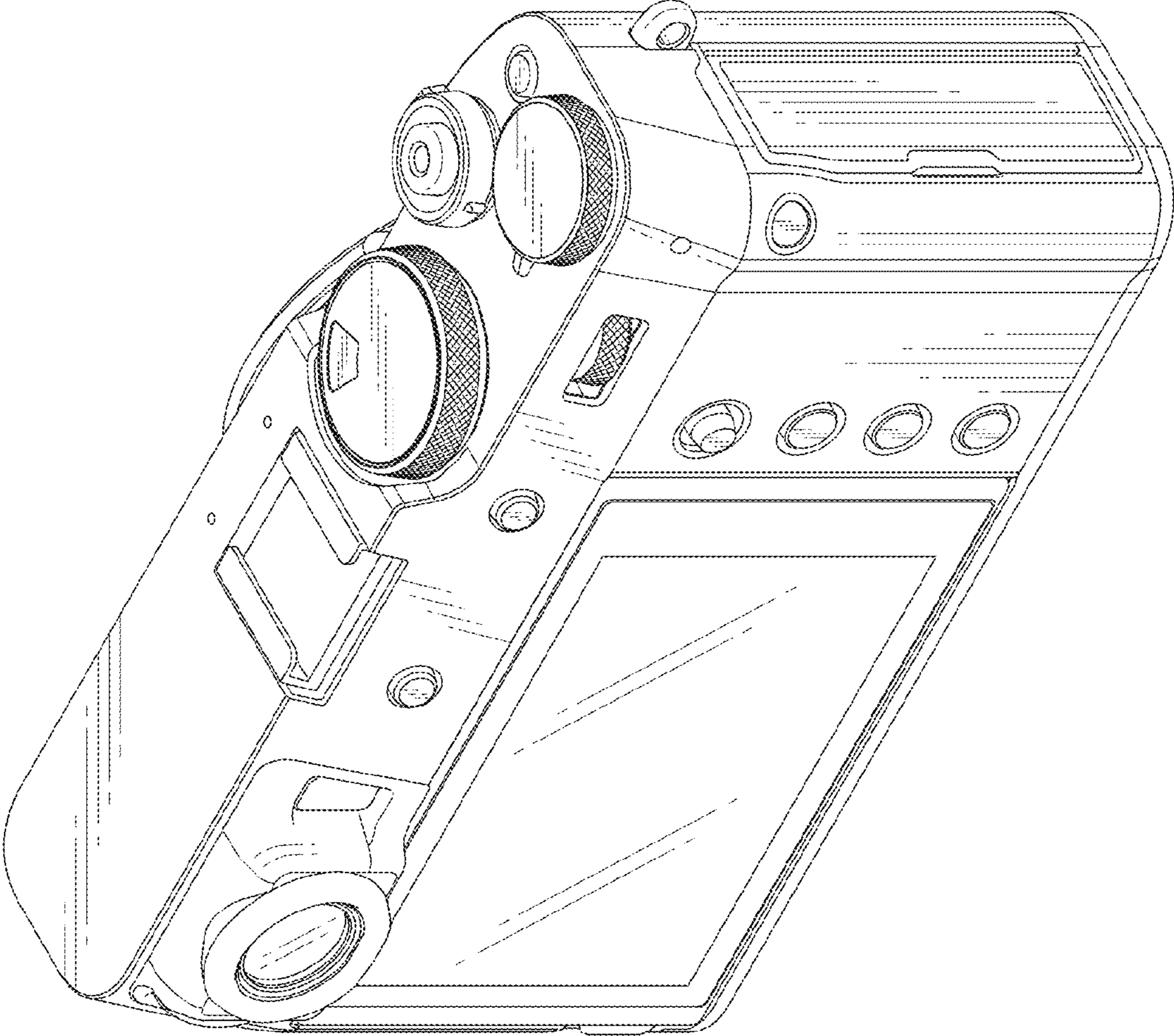


FIG.3

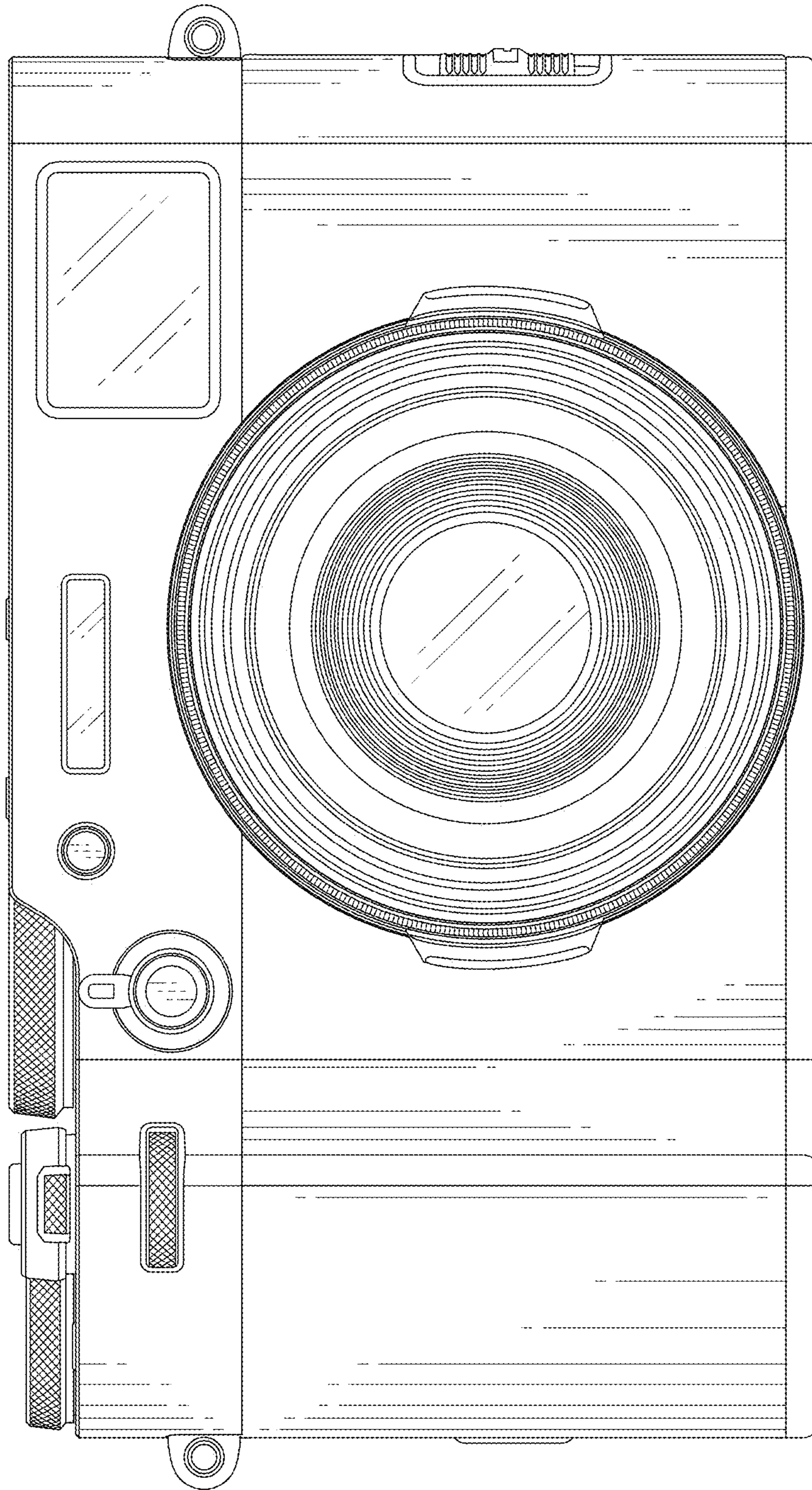


FIG.4

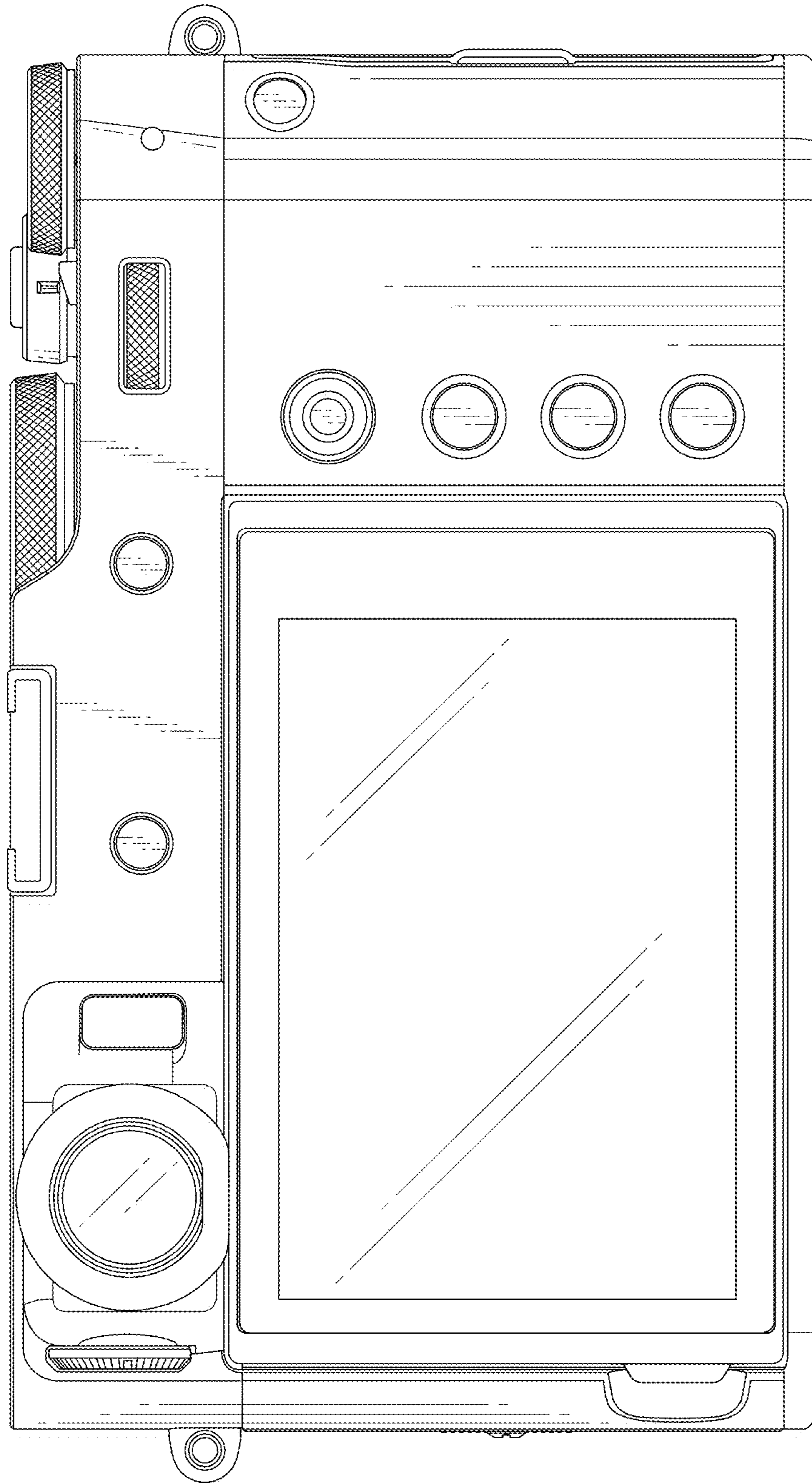


FIG.5

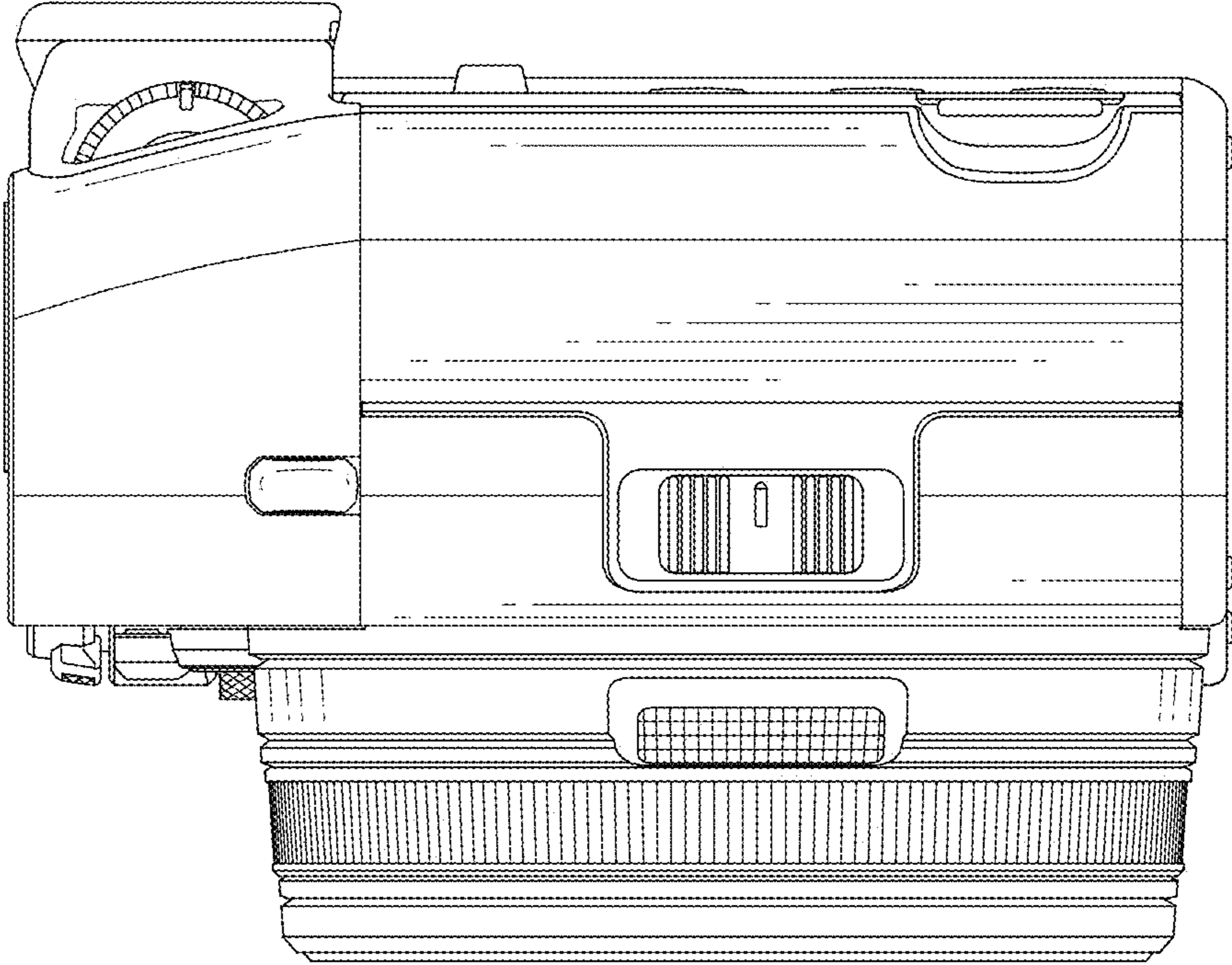


FIG.6

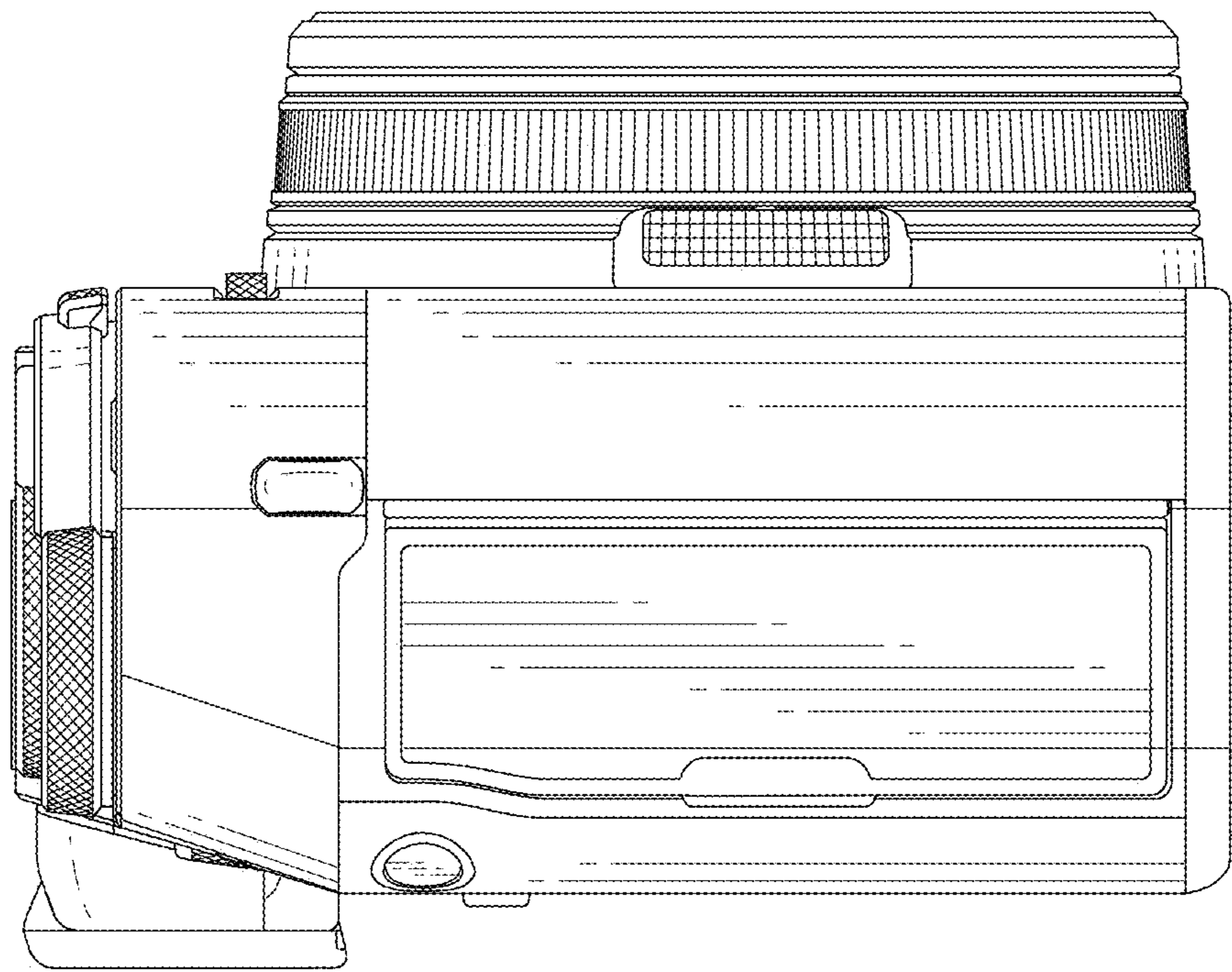


FIG.7

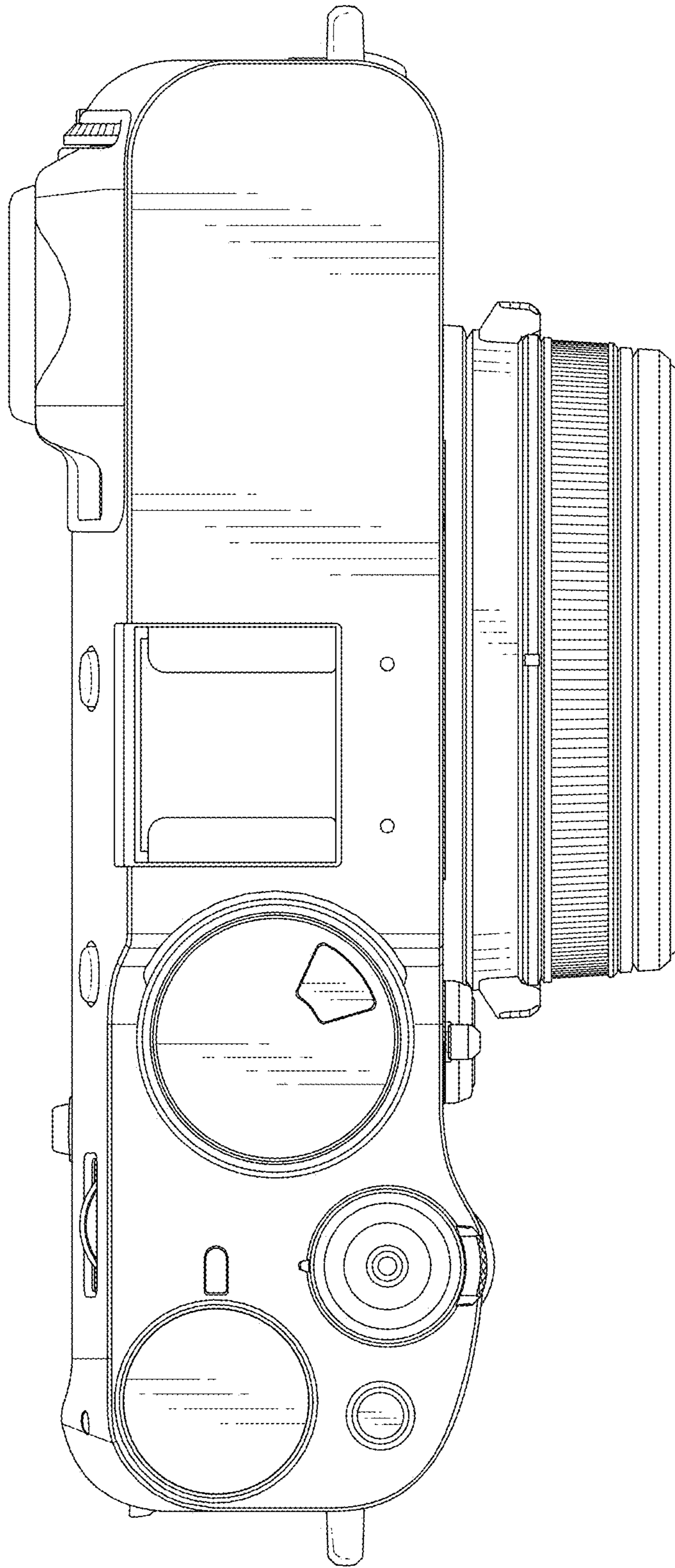




FIG.8

