



US00D942522S

(12) **United States Design Patent**
Ikegame

(10) **Patent No.:** **US D942,522 S**

(45) **Date of Patent:** **** Feb. 1, 2022**

(54) **DIGITAL CAMERA**

(71) Applicant: **FUJIFILM Corporation**, Tokyo (JP)

(72) Inventor: **Haruka Ikegame**, Saitama (JP)

(73) Assignee: **FUJIFILM Corporation**, Tokyo (JP)

(**) Term: **15 Years**

(21) Appl. No.: **29/709,976**

(22) Filed: **Oct. 18, 2019**

(30) **Foreign Application Priority Data**

Apr. 22, 2019 (JP) 2019-008946

(51) **LOC (13) Cl.** **16-01**

(52) **U.S. Cl.**
USPC **D16/202**

(58) **Field of Classification Search**
USPC D16/200, 202-206, 208, 209, 218, 219;
348/294, 373-376; 359/826; 396/6, 301,
396/529, 535, 539-541
CPC G03B 15/03; G03B 17/02; G03B 17/04;
G03B 17/08; G03B 17/56; G03B 19/04;
H04N 5/2251; H04N 5/2252; H04N
5/2253; H04N 5/2254; H04N 2101/00
See application file for complete search history.

(56) **References Cited**

U.S. PATENT DOCUMENTS

D649,997 S * 12/2011 Imai D16/202
D657,408 S * 4/2012 Tainaka D16/202

D681,710 S * 5/2013 Sato D16/200
D698,839 S * 2/2014 Sato D16/200
D712,947 S * 9/2014 Chai D16/202
D712,948 S * 9/2014 Chai D16/202
D716,862 S * 11/2014 Hoshi D16/202
D749,659 S * 2/2016 Kamei D16/202
D794,693 S * 8/2017 Sato D16/202
D875,804 S * 2/2020 Li D16/202
D883,356 S * 5/2020 Ikegame D16/202
D894,249 S * 8/2020 Kamei D16/202
D914,782 S * 3/2021 Huang D16/202

* cited by examiner

Primary Examiner — Ramzi Almatrahi

(74) *Attorney, Agent, or Firm* — Studebaker & Brackett
PC

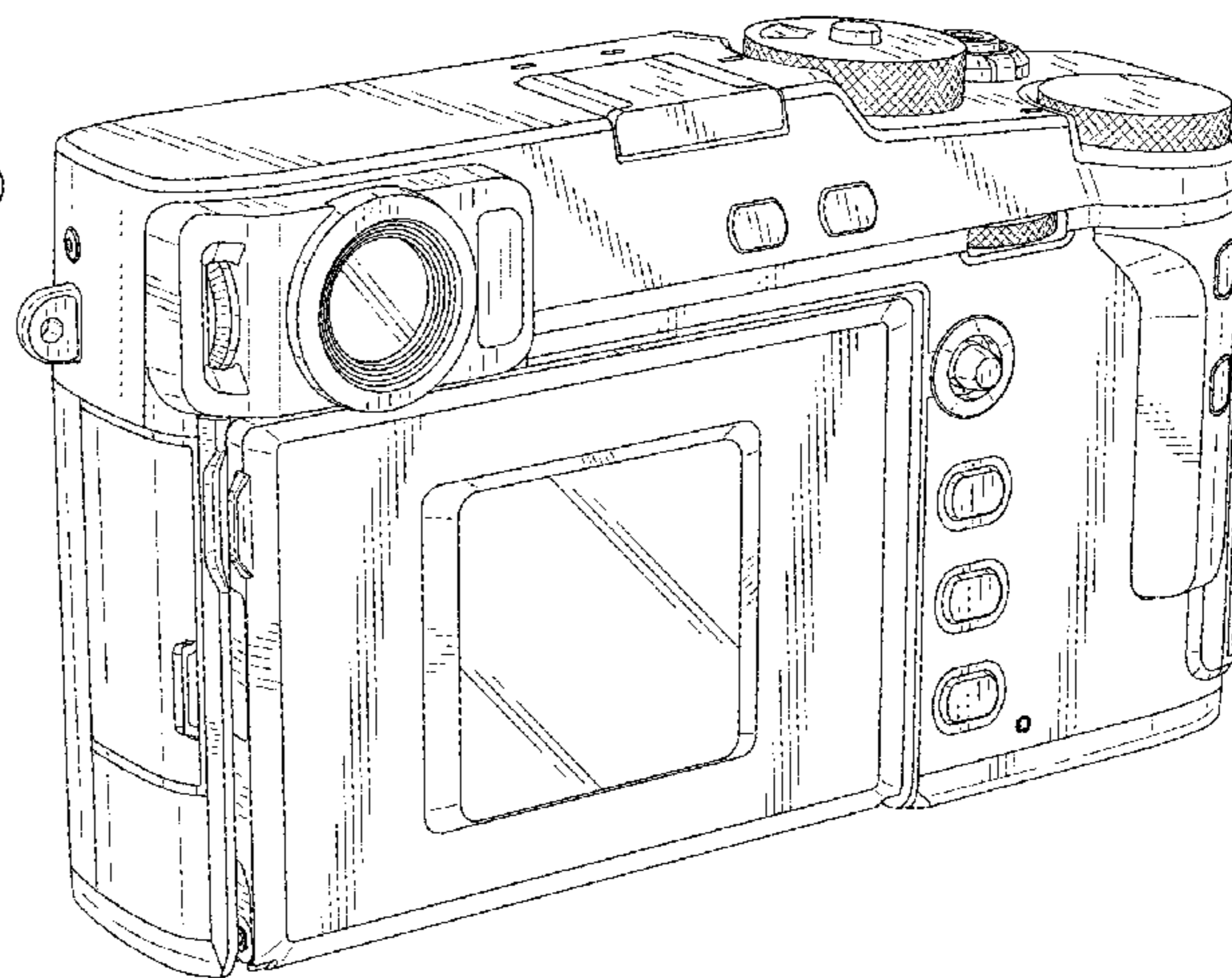
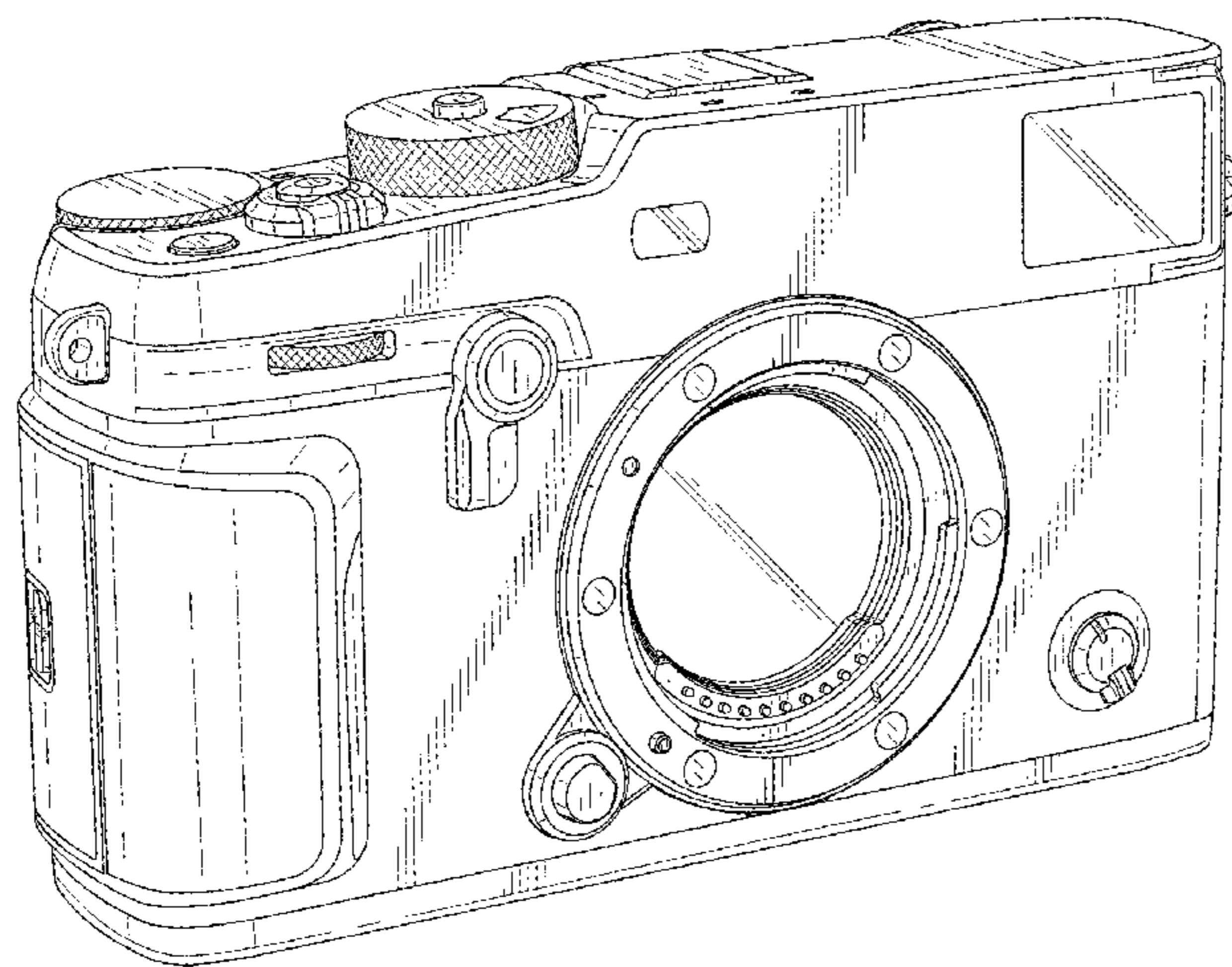
(57) **CLAIM**

The ornamental design for a digital camera, as shown and described.

DESCRIPTION

FIG. 1 is a top, front and left side perspective view of a digital camera showing my new design;
FIG. 2 is a top, rear and right side perspective view thereof;
FIG. 3 is a front elevation view thereof;
FIG. 4 is a rear elevation view thereof;
FIG. 5 is a right side elevation view thereof;
FIG. 6 is a left side elevation view thereof;
FIG. 7 is a top plan view thereof; and,
FIG. 8 is a bottom plan view thereof.
The broken lines depict portions of the digital camera in which the design is embodied that form no part of the claimed design.

1 Claim, 8 Drawing Sheets



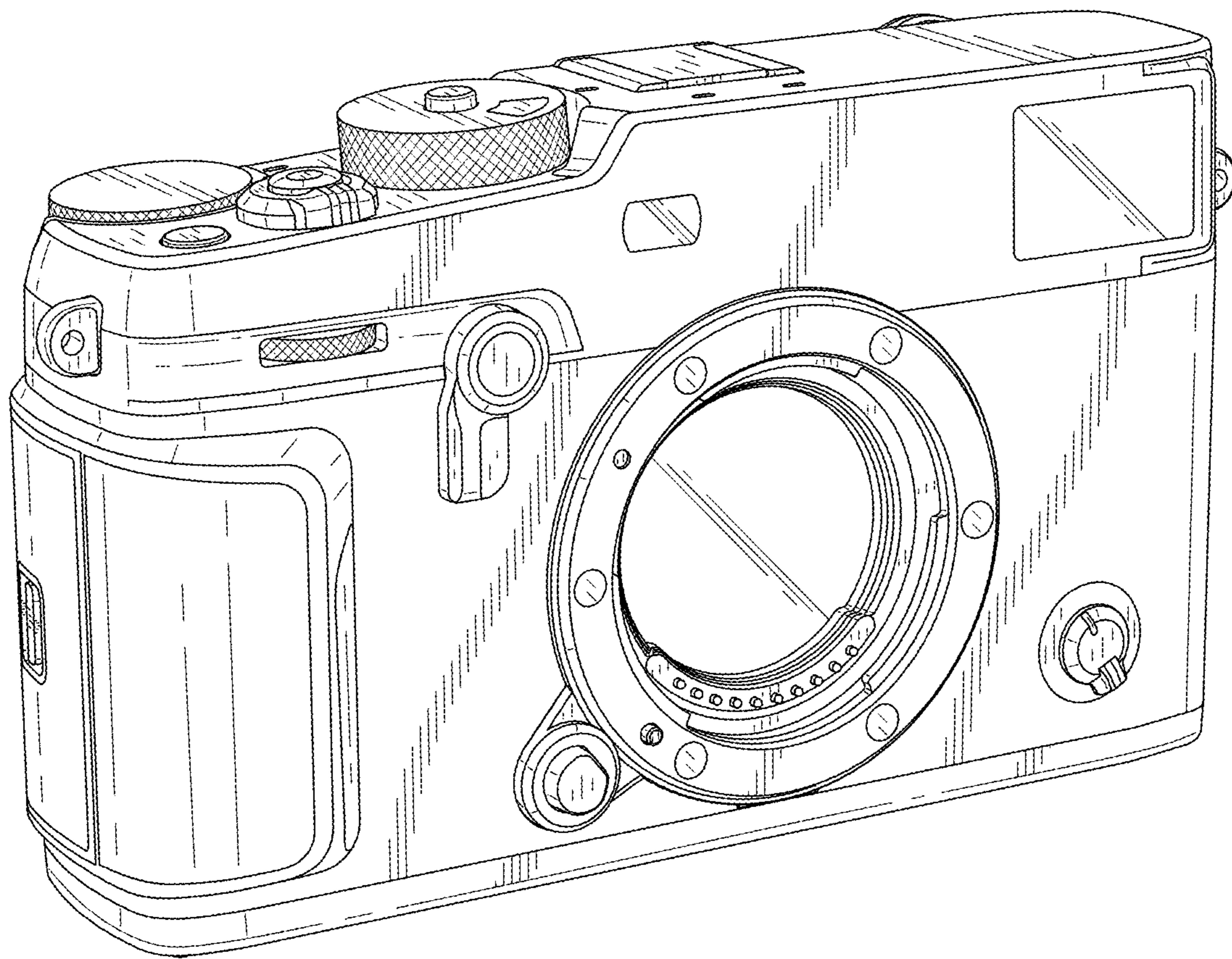


FIG. 1

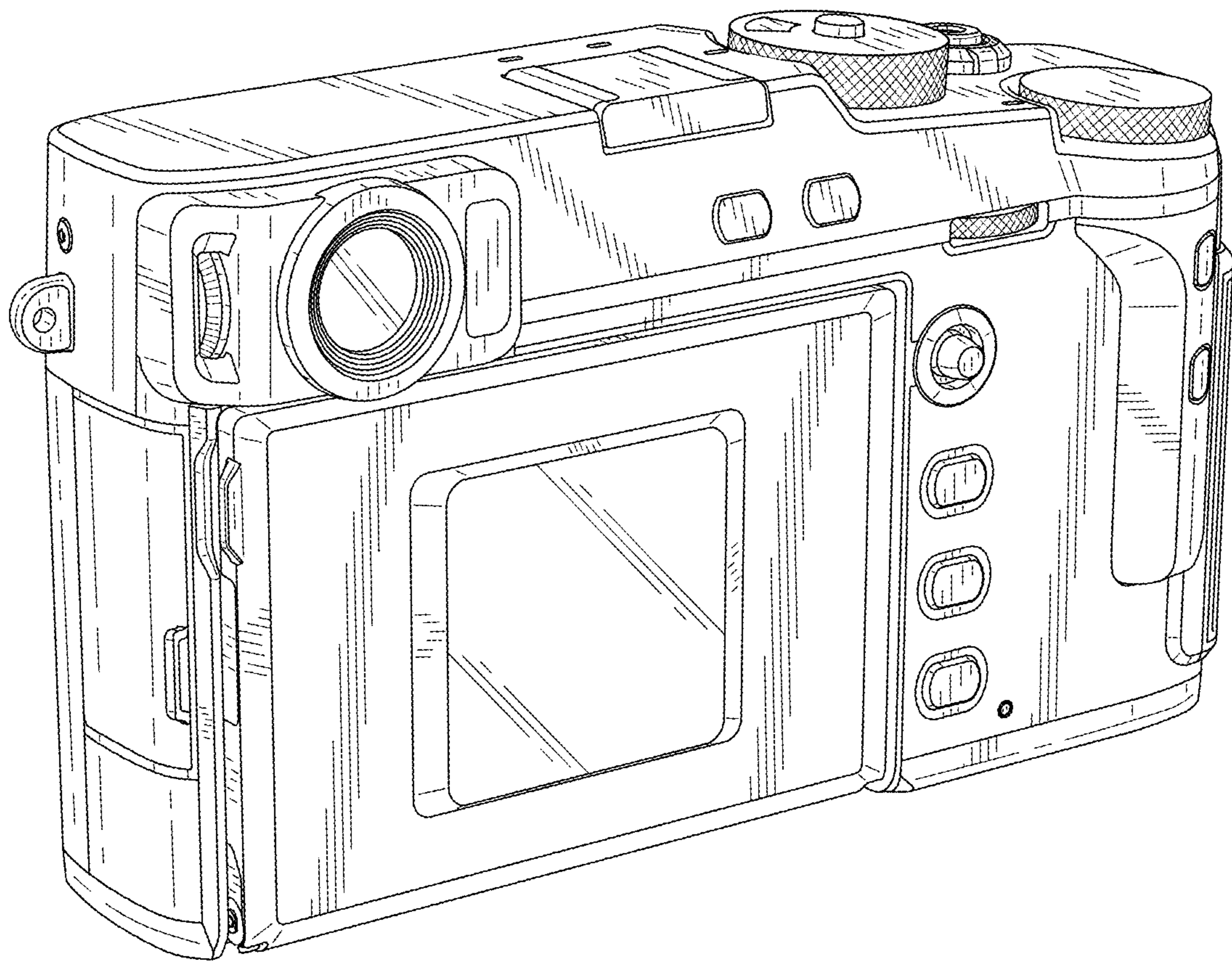


FIG. 2

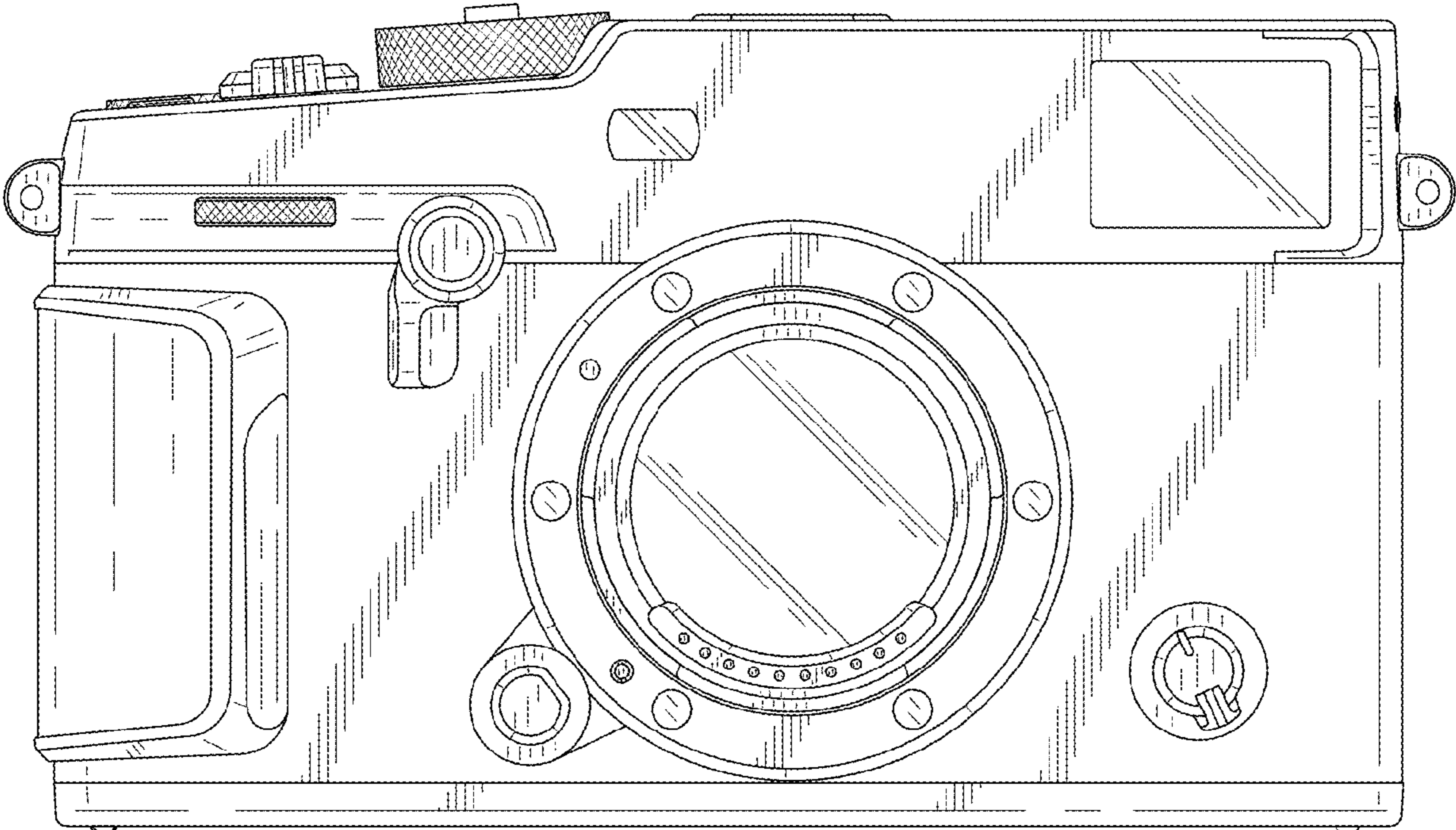


FIG. 3

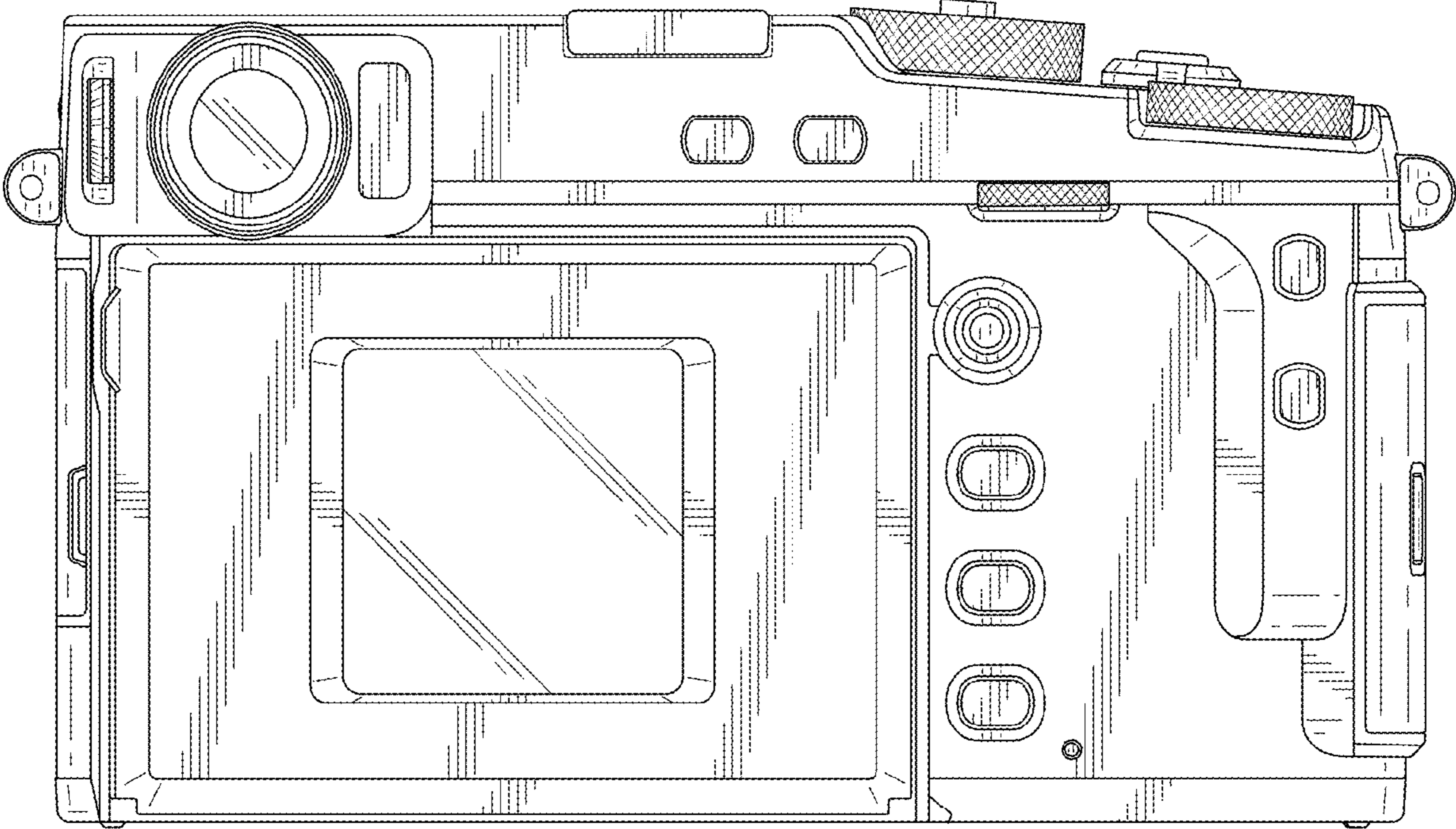


FIG. 4

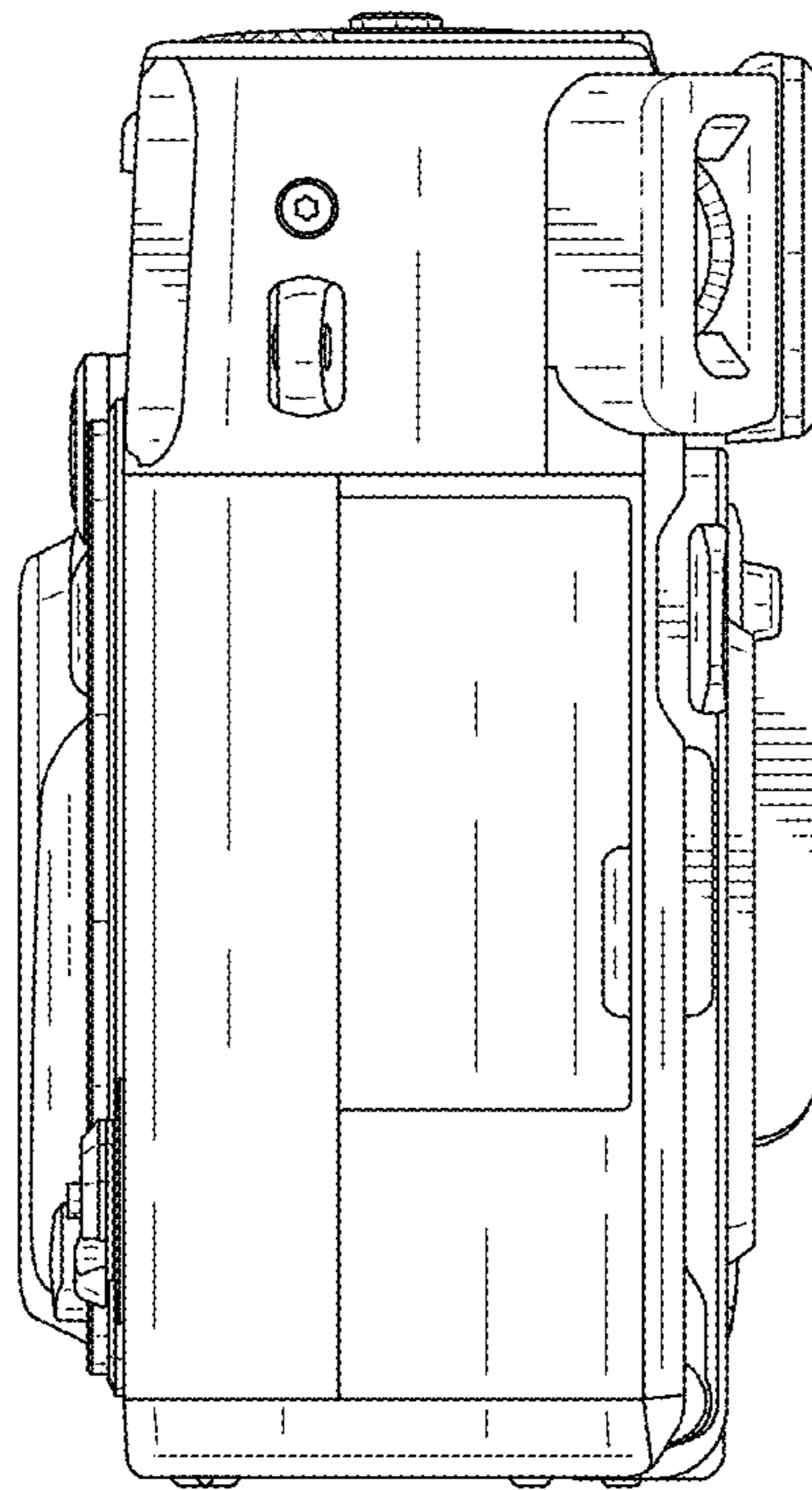


FIG. 5

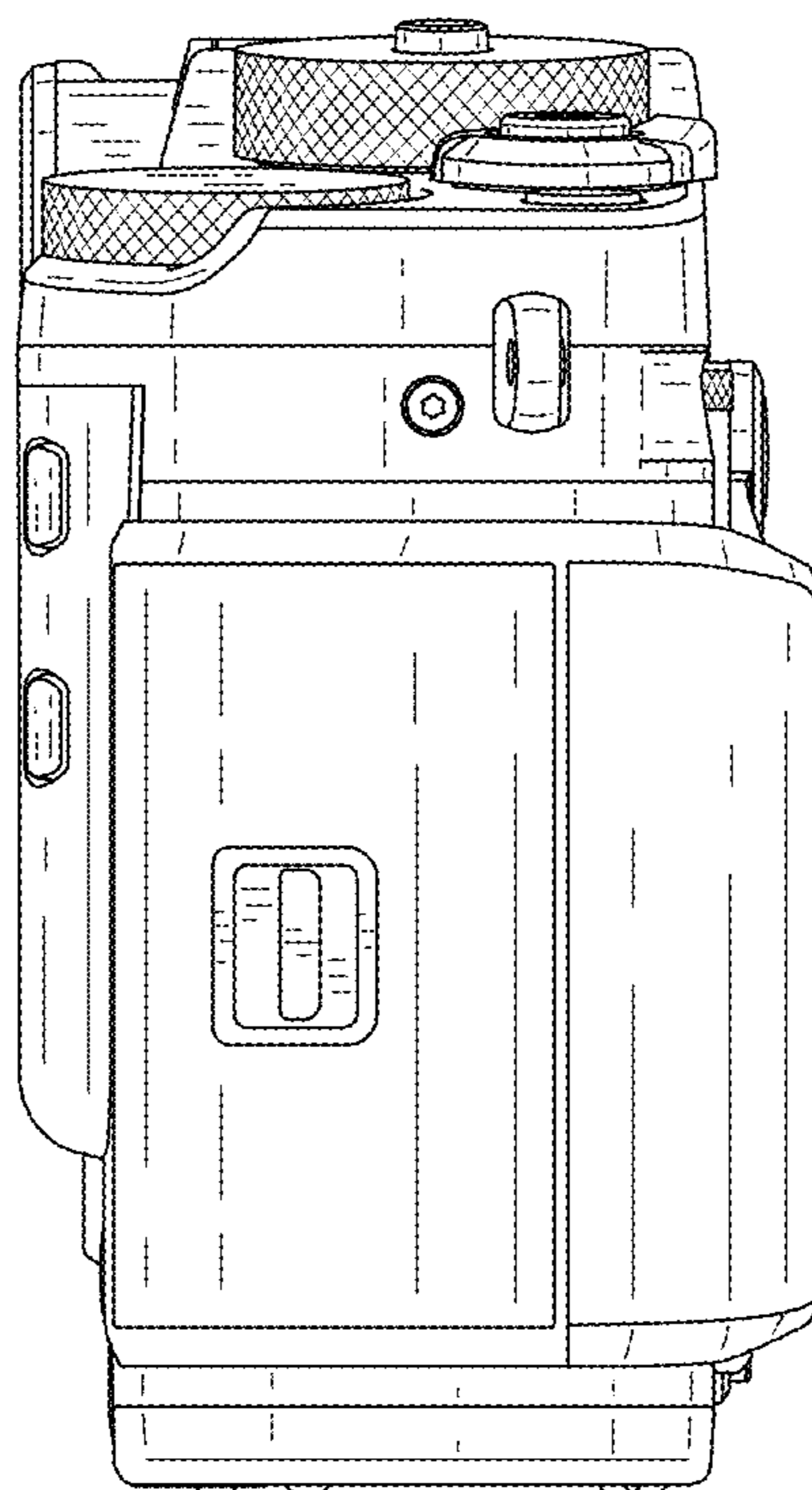


FIG. 6

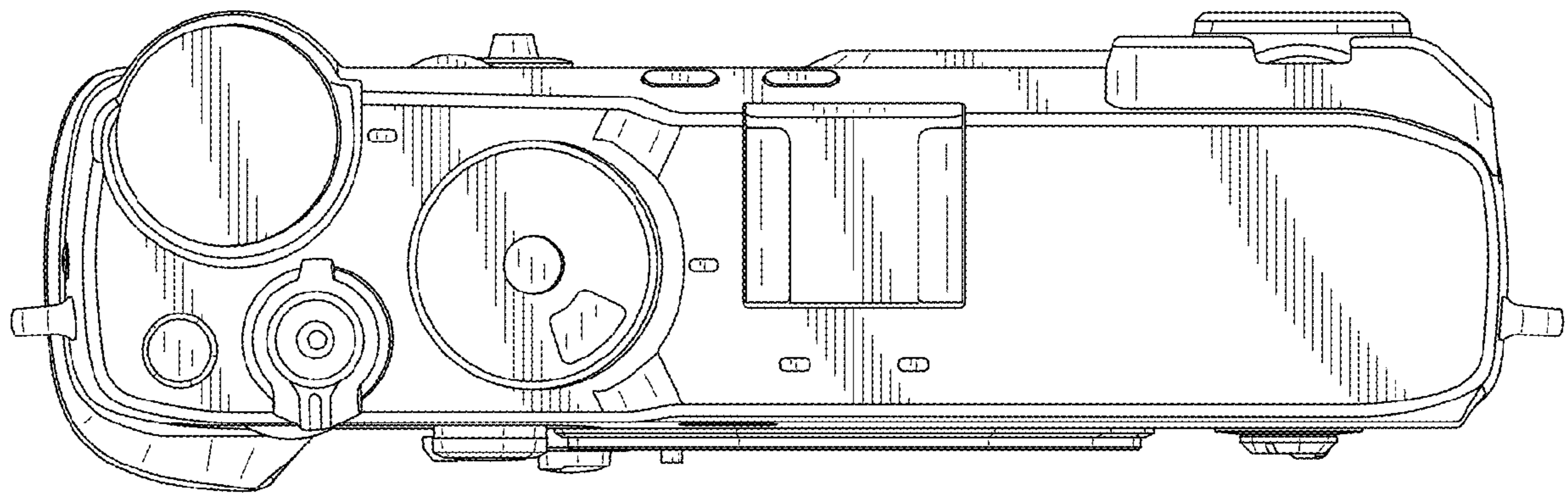


FIG. 7

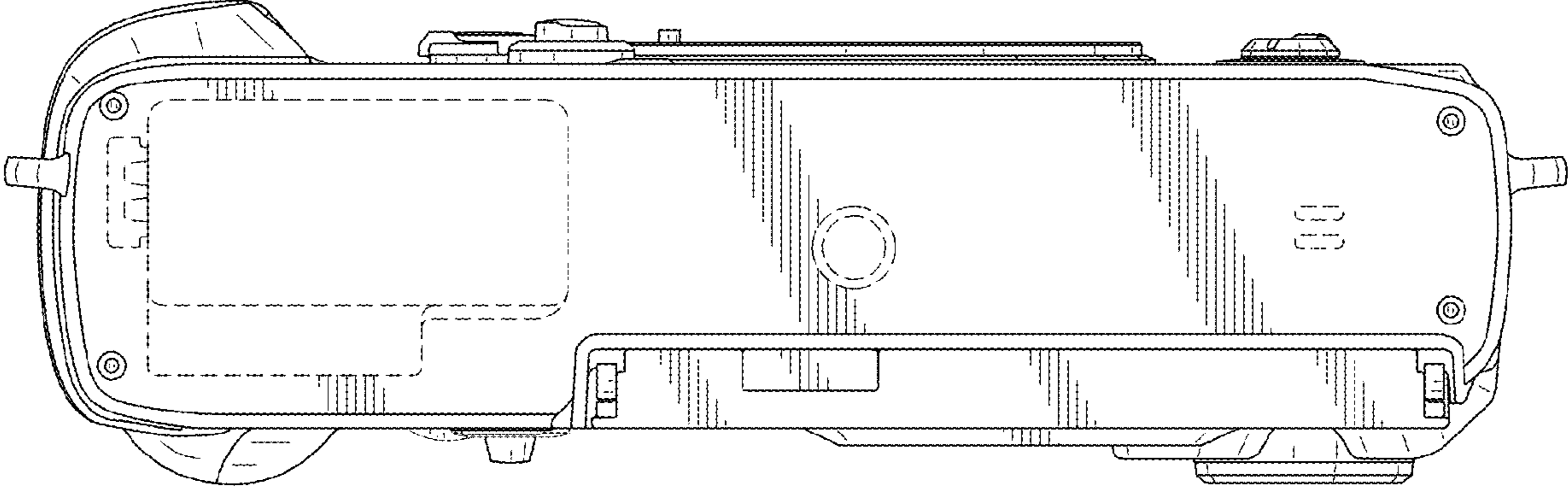


FIG. 8