



US00D942521S

(12) **United States Design Patent** (10) **Patent No.:** **US D942,521 S**  
**Calik et al.** (45) **Date of Patent:** **\*\* Feb. 1, 2022**

(54) **COMBINED CAMERA AND LIGHT DEVICE**

(71) Applicant: **Cycliq Research & Development (HK) Limited, Shatin (HK)**

(72) Inventors: **Lukasz Calik, West Leederville (AU); Thompson Cheung, Shatin (HK); Tao Xiaoying, Guang Dong (CN)**

(73) Assignee: **Cycliq Research & Development (HK) Limited, Hong Kong (CN)**

(\*\*) Term: **15 Years**

(21) Appl. No.: **29/642,422**

(22) Filed: **Mar. 29, 2018**

(30) **Foreign Application Priority Data**

Sep. 29, 2017 (EM) ..... 004377398

(51) **LOC (13) Cl.** ..... **16-01**

(52) **U.S. Cl.**  
USPC ..... **D16/202**

(58) **Field of Classification Search**  
USPC ..... D16/200, 202, 208, 209, 210, 218, 219  
CPC ..... G03B 15/03; G03B 15/05; G03B 17/00;  
G03B 17/02; G03B 17/08; G03B 17/16;  
G03B 19/00; G03B 19/02; G03B 19/20;  
G03B 19/22; H04N 5/2251; H04N  
5/2252; H04N 5/2253; H04N 5/907  
See application file for complete search history.

(56) **References Cited**

**U.S. PATENT DOCUMENTS**

D412,003 S \* 7/1999 Sumida ..... D16/202  
D418,151 S \* 12/1999 Sumita ..... D16/202

D448,785 S \* 10/2001 Chou ..... D16/202  
D563,444 S \* 3/2008 Brickzin ..... D16/202  
D715,347 S \* 10/2014 Troxel ..... D16/202  
D715,846 S \* 10/2014 Troxel ..... D16/202  
D758,467 S \* 6/2016 Zhang ..... D16/202  
D794,105 S \* 8/2017 Liu ..... D16/202  
D813,288 S \* 3/2018 LeBeau ..... D16/200  
D816,752 S \* 5/2018 Kim ..... D16/202  
D836,696 S \* 12/2018 Zhang ..... D16/202  
2005/0012853 A1 \* 1/2005 Wang ..... H04N 1/00204  
348/376  
2009/0252486 A1 \* 10/2009 Ross, Jr. .... G03B 17/02  
396/419  
2010/0253826 A1 \* 10/2010 Green ..... G01S 17/875  
348/335

\* cited by examiner

*Primary Examiner* — Holly E Thurman

*Assistant Examiner* — Ieisha N Price

(74) *Attorney, Agent, or Firm* — Levine Bagade Han LLP

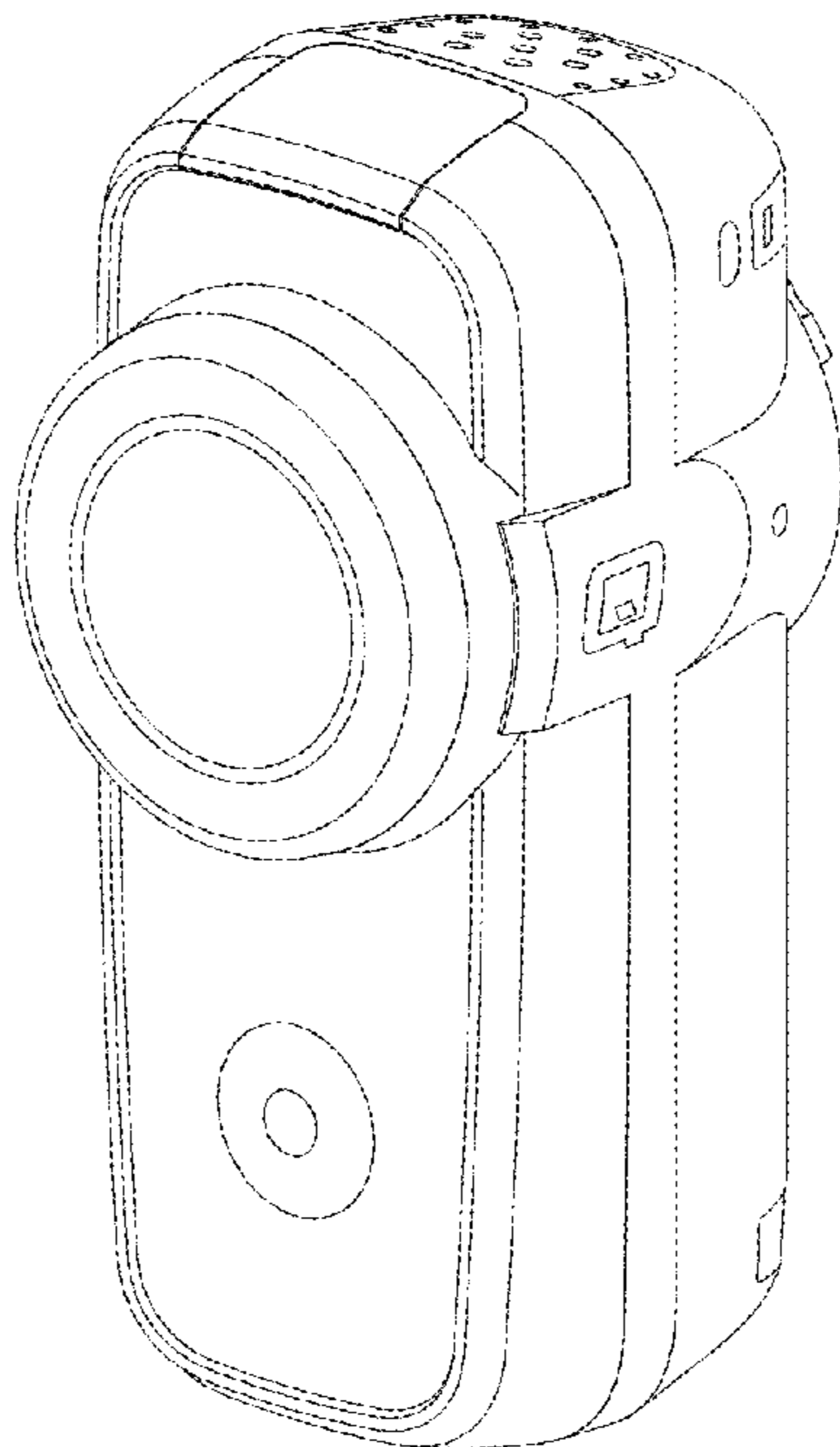
(57) **CLAIM**

The ornamental design for a combined camera and light device, as shown and described.

**DESCRIPTION**

FIG. 1 is a front perspective view of a combined camera and light device;  
FIG. 2 is a front view thereof;  
FIG. 3 is a rear view thereof;  
FIG. 4 is a top view thereof;  
FIG. 5 is a bottom view thereof;  
FIG. 6 is a left side view thereof; and,  
FIG. 7 is a right side view thereof.  
The broken lines in the drawing illustrate portions of the combined camera and light device and form no part of the claimed design.

**1 Claim, 2 Drawing Sheets**



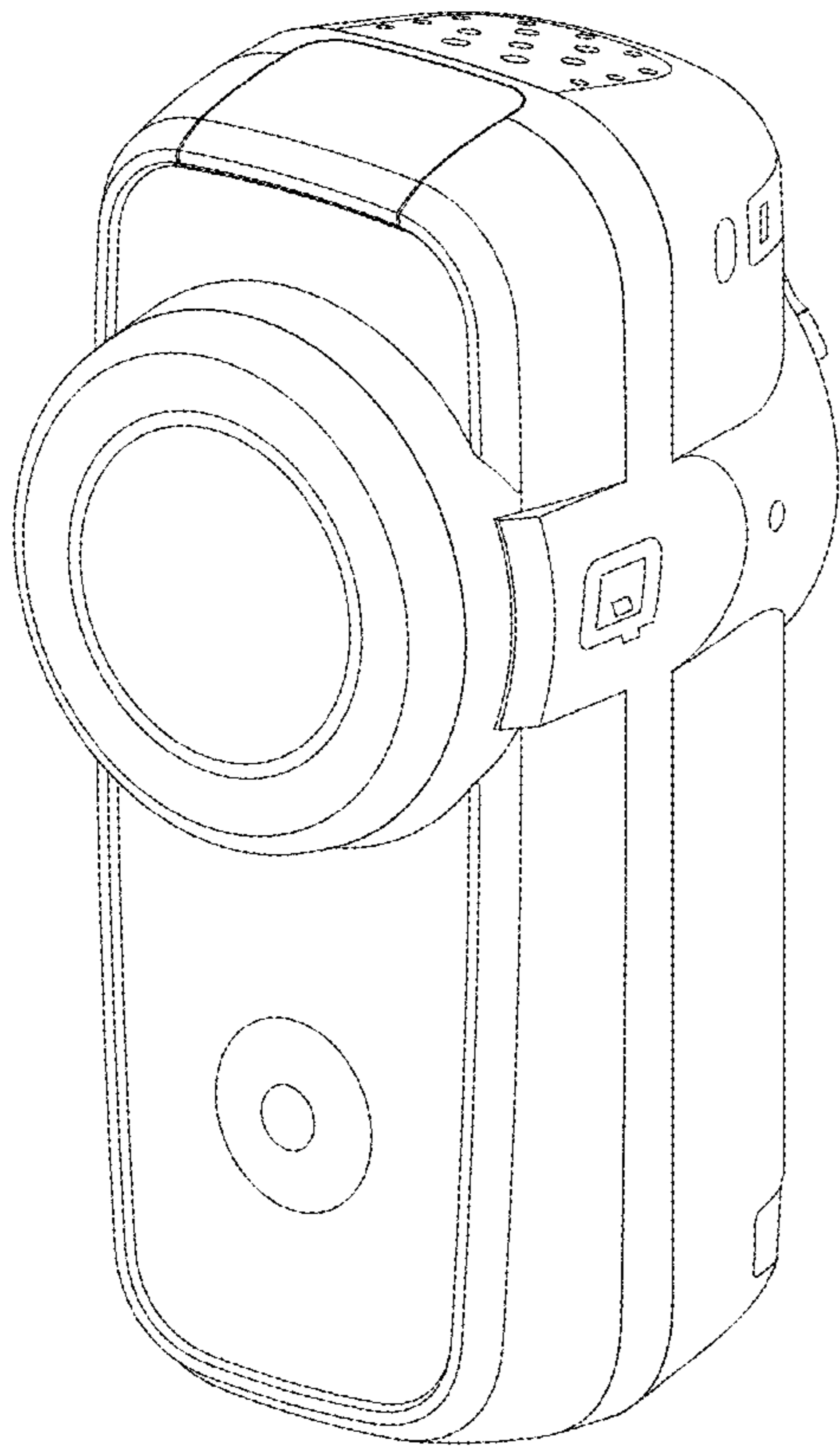


FIG. 1

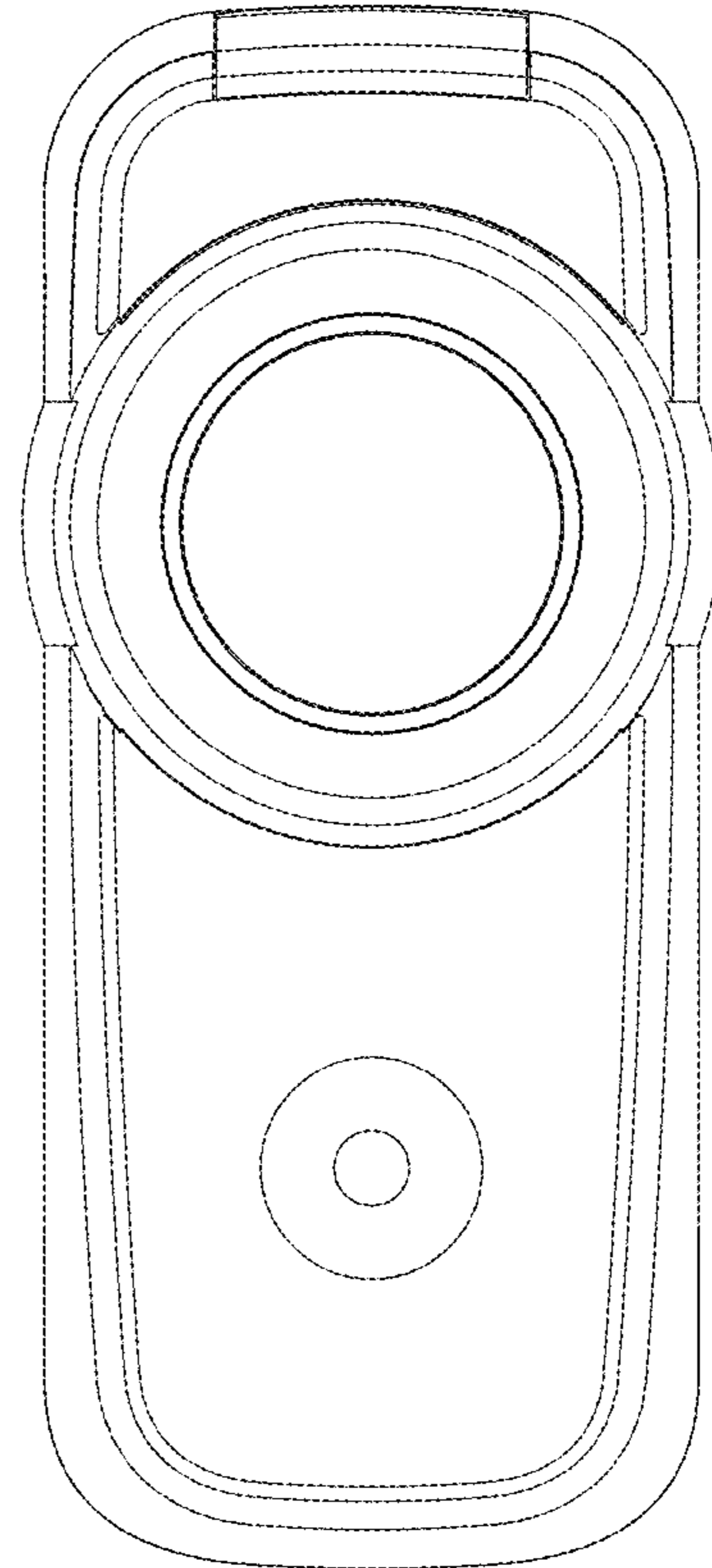


FIG. 2

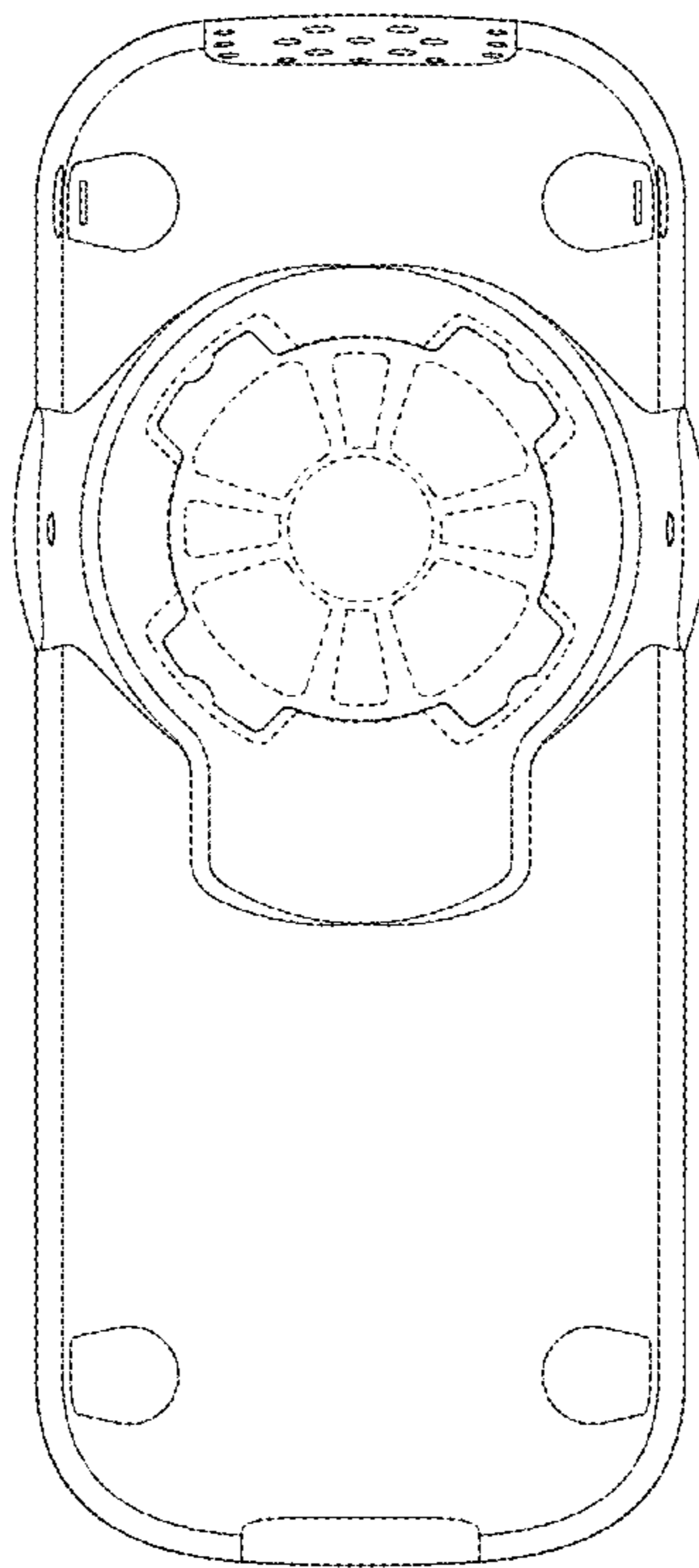


FIG. 3

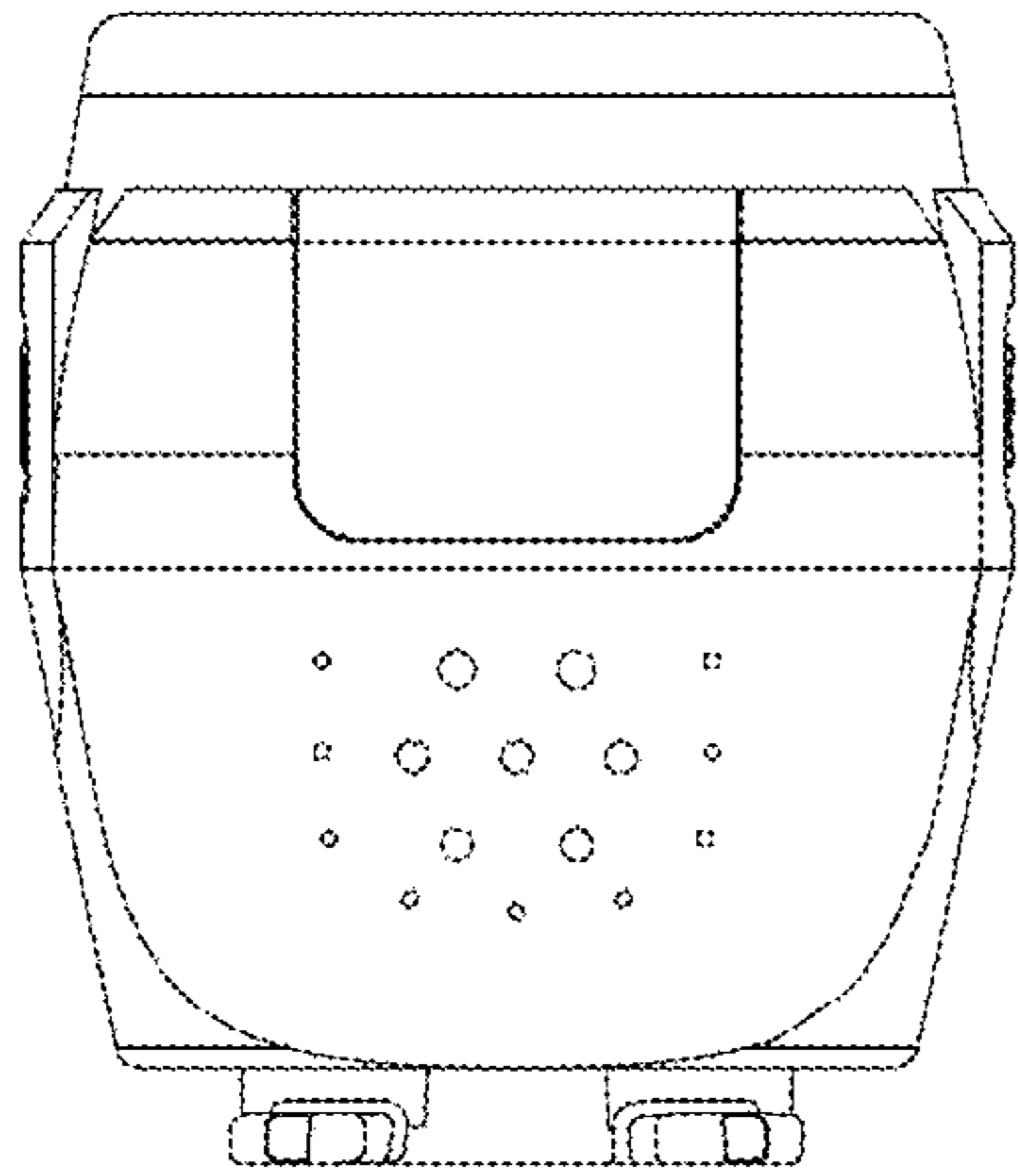


FIG. 4

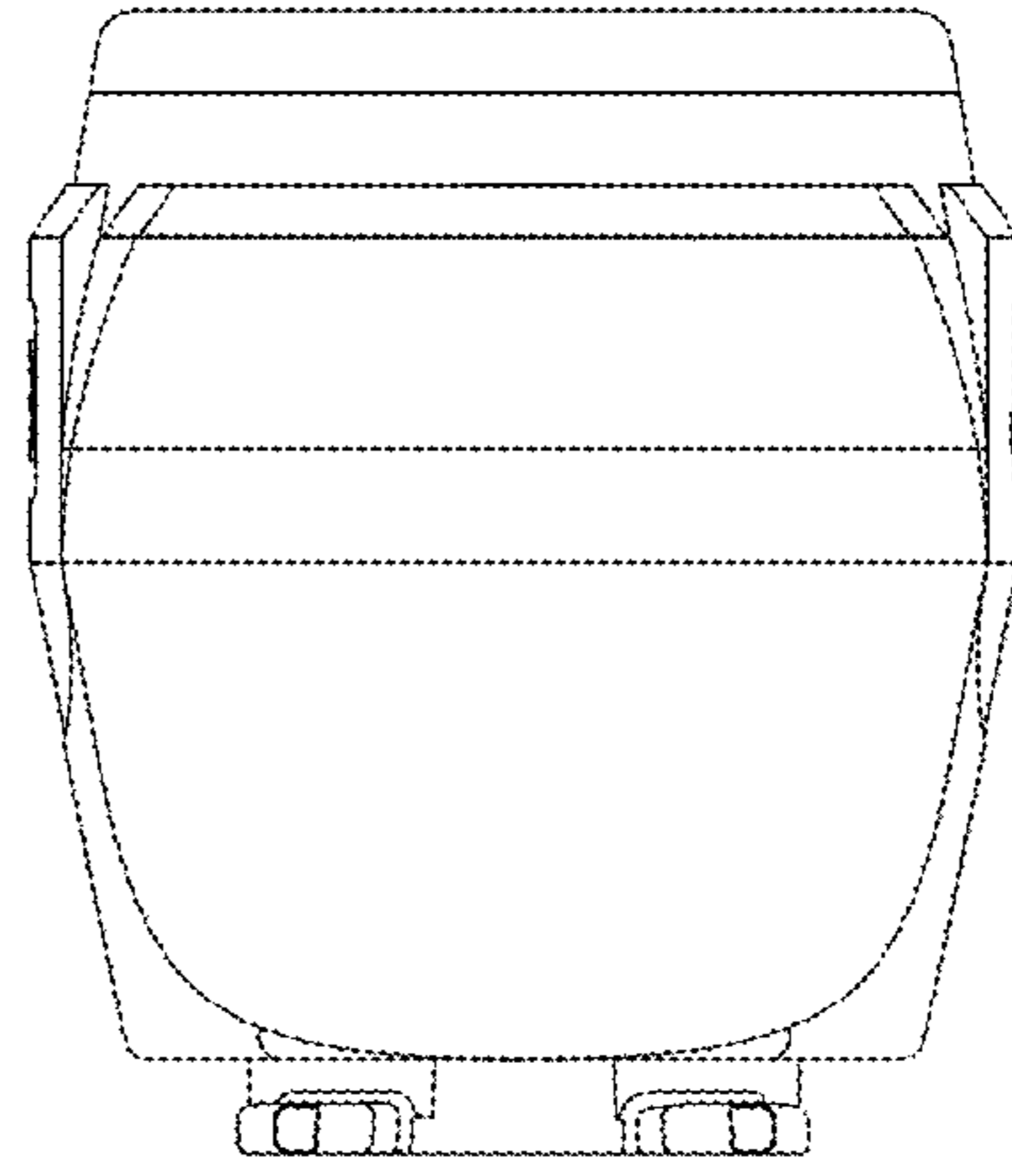


FIG. 5

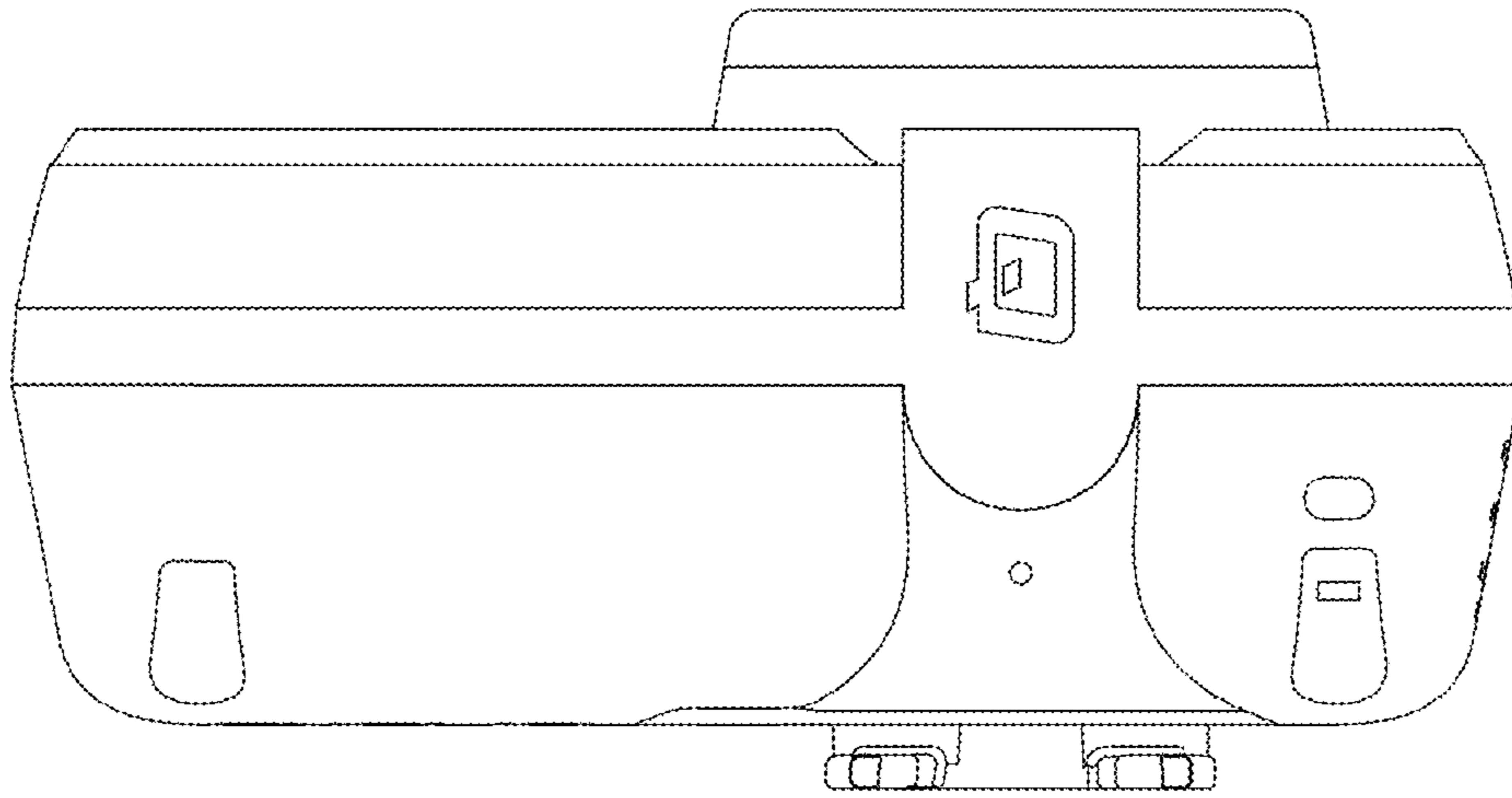


FIG. 6

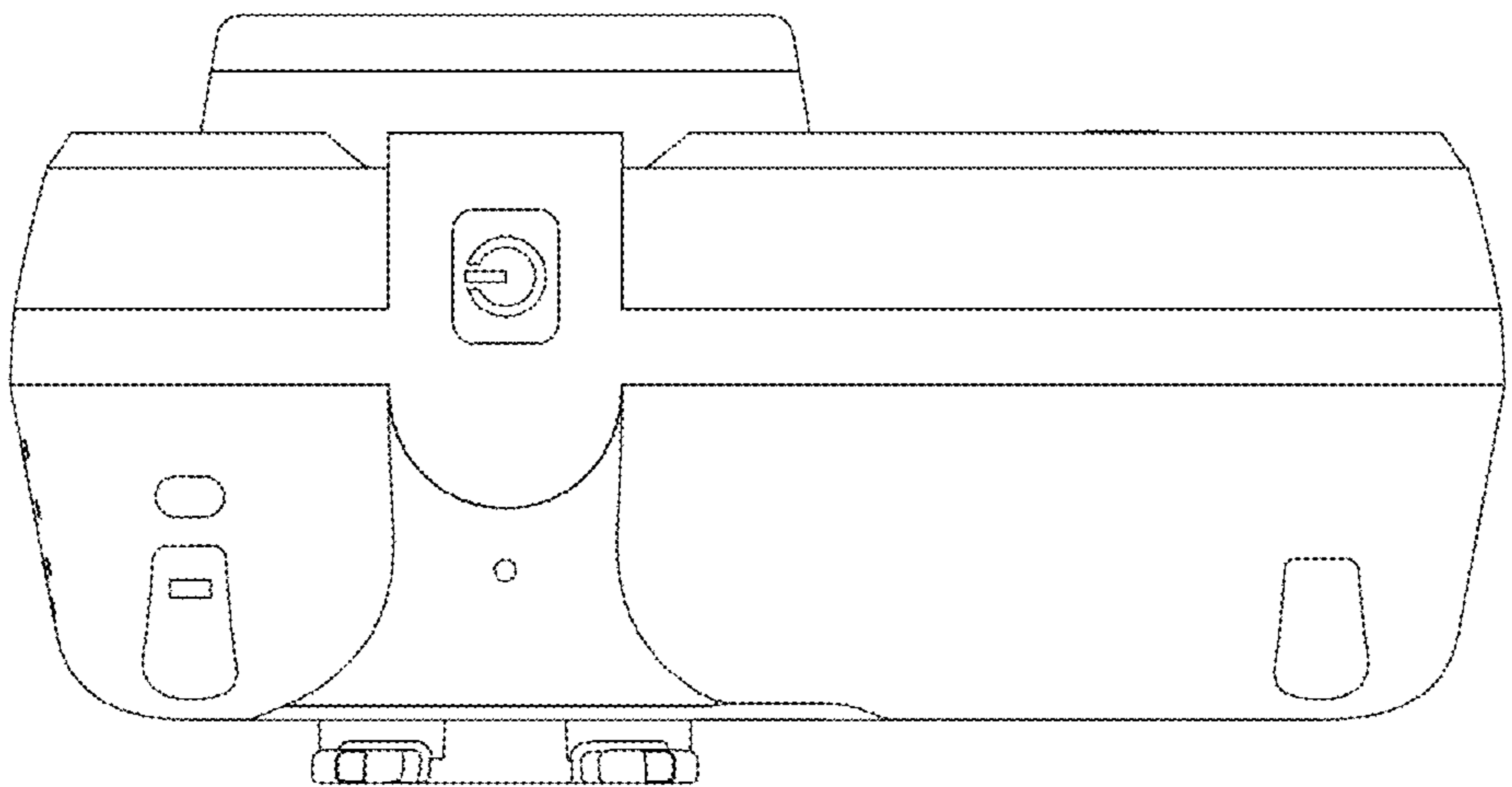


FIG. 7