



US00D942520S

(12) **United States Design Patent**
Matuschek et al.

(10) **Patent No.:** **US D942,520 S**

(45) **Date of Patent:** **** Feb. 1, 2022**

(54) **SURGICAL MICROSCOPE WITH STAND**

(71) Applicant: **Carl Zeiss Meditec AG**, Jena (DE)

(72) Inventors: **Walter Matuschek**, Aalen (DE);
Christian Siegel, Aalen (DE)

(73) Assignee: **Carl Zeiss Meditec AG**, Jena (DE)

(**) Term: **15 Years**

(21) Appl. No.: **29/684,052**

(22) Filed: **Mar. 18, 2019**

(30) **Foreign Application Priority Data**

Sep. 18, 2018 (EM) 005647054

(51) **LOC (13) Cl.** **16-06**

(52) **U.S. Cl.**
USPC **D16/131**

(58) **Field of Classification Search**
USPC D16/130-136; D24/107, 128, 137, 138,
D24/185, 186, 232, 234
CPC G02B 21/00; G02B 21/002; G02B 21/06;
G02B 21/082
See application file for complete search history.

(56) **References Cited**

U.S. PATENT DOCUMENTS

6,471,165 B2 * 10/2002 Twisselmann F16M 11/18
248/123.11
D482,708 S * 11/2003 Matuschek D16/131
D623,210 S * 9/2010 Matuschek D16/131
D626,236 S * 10/2010 Ninomiya D24/185
D634,344 S * 3/2011 Nusser D16/131
D649,992 S * 12/2011 Nusser D16/131
D650,405 S * 12/2011 Nusser D16/131
D666,653 S * 9/2012 Nusser D16/131
D707,359 S * 6/2014 Kim D24/185
D707,360 S * 6/2014 Kim D24/185

D716,448 S * 10/2014 Kim D24/158
D751,209 S * 3/2016 DiMino D24/186
D758,465 S * 6/2016 Matuschek D16/131
D836,692 S * 12/2018 Matuschek D16/131

(Continued)

OTHER PUBLICATIONS

Carl Zeiss Meditec AG brochure "OPMI LUMERA 700 from Zeiss", 2014, 14 pages.

(Continued)

Primary Examiner — Holly E Thurman

(74) *Attorney, Agent, or Firm* — Walter Ottesen, P.A.

(57) **CLAIM**

The ornamental design for a surgical microscope with stand, as shown and described.

DESCRIPTION

The patent or application file contains at least one drawing executed in color. Copies of this patent or patent application publication with color drawings will be provided by the Office upon request and payment of the necessary fee.

FIG. 1 is a first perspective view of the surgical microscope with stand of our new design;

FIG. 2 is a second perspective view of the surgical microscope with stand of FIG. 1;

FIG. 3 is a rear elevation view of the surgical microscope with stand of FIG. 1;

FIG. 4 is a front elevation view of the surgical microscope with stand of FIG. 1;

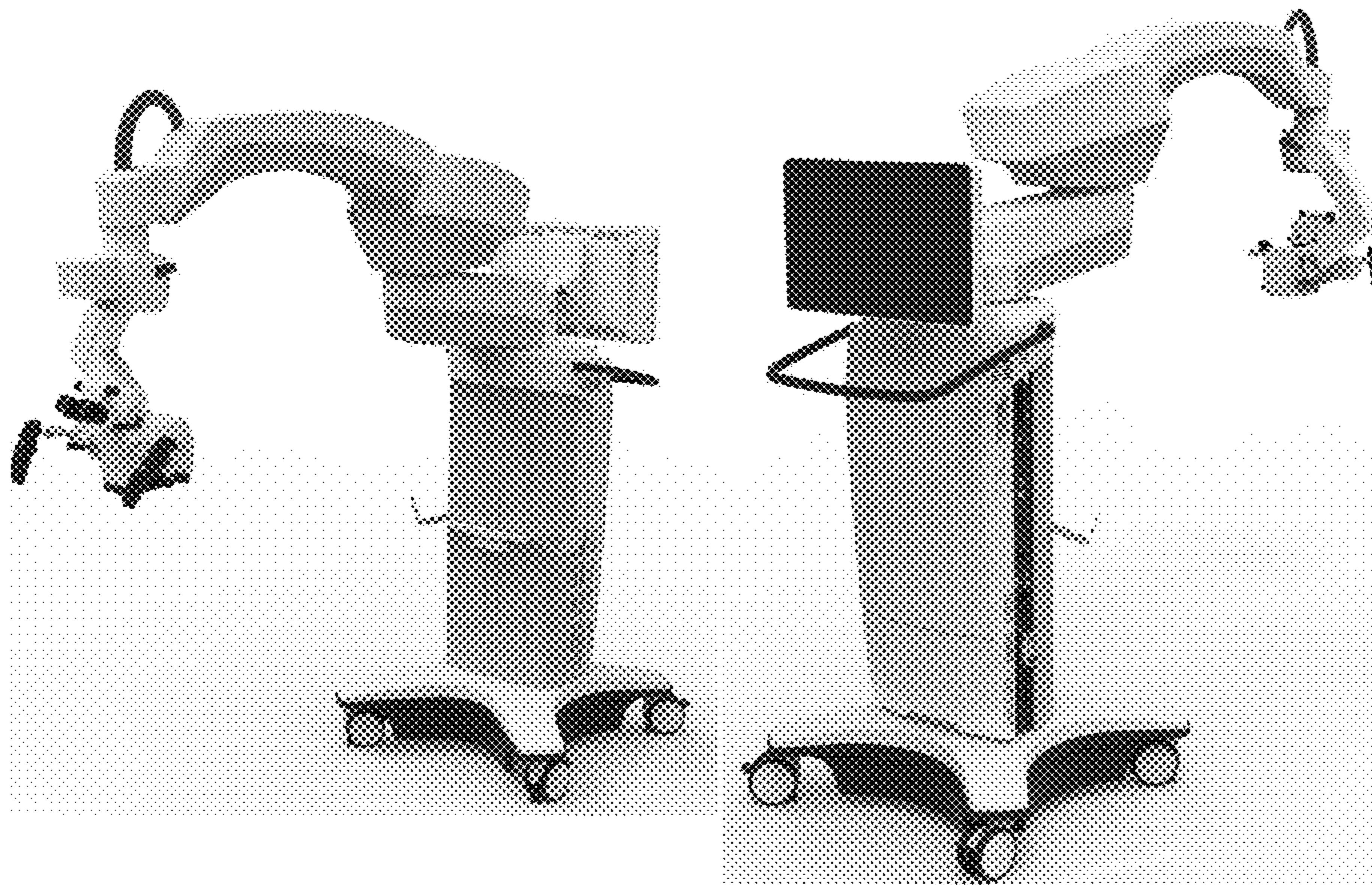
FIG. 5 is a top plan view of the surgical microscope with stand of FIG. 1;

FIG. 6 is a right side elevation view of the surgical microscope with stand of FIG. 1; and,

FIG. 7 is a left side elevation view of the surgical microscope with stand of FIG. 1.

The broken lines form no part of the claimed design.

1 Claim, 7 Drawing Sheets
(7 of 7 Drawing Sheet(s) Filed in Color)



(56)

References Cited

U.S. PATENT DOCUMENTS

D836,693	S	*	12/2018	Matuschek	D16/131
D837,856	S	*	1/2019	Matuschek	D16/131
D841,070	S	*	2/2019	Matuschek	D16/131
D874,657	S	*	2/2020	Bailey	D24/185
D881,963	S	*	4/2020	Liu	D16/131
D881,964	S	*	4/2020	Liu	D16/131
D881,965	S	*	4/2020	Liu	D16/131
2003/0230698	A1	*	12/2003	Strauss	F21V 21/06 248/648
2005/0041282	A1	*	2/2005	Rudolph	G02B 7/001 359/368

OTHER PUBLICATIONS

Carl Zeiss Meditec AG brochure "OPMI Vario from Zeiss", 2014, 12 pages.

Carl Zeiss Meditec AG brochure "OPMI PENTERO 800 from Zeiss", 2015, 7 pages.

Carl Zeiss Meditec AG brochure "KINEVO 900 von Zeiss", 2017, 22 pages.

U.S. Appl. No. 29/684,005, filed Mar. 18, 2019, Carl Zeiss Meditec AG, Walter Matuschek Christian Siegel.

U.S. Appl. No. 29/684,037, filed Mar. 18, 2019, Carl Zeiss Meditec AG, Walter Matuschek Christian Siegel.

U.S. Appl. No. 29/684,045, filed Mar. 18, 2019, Carl Zeiss Meditec AG, Walter Matuschek Christian Siegel.

* cited by examiner



FIG. 1

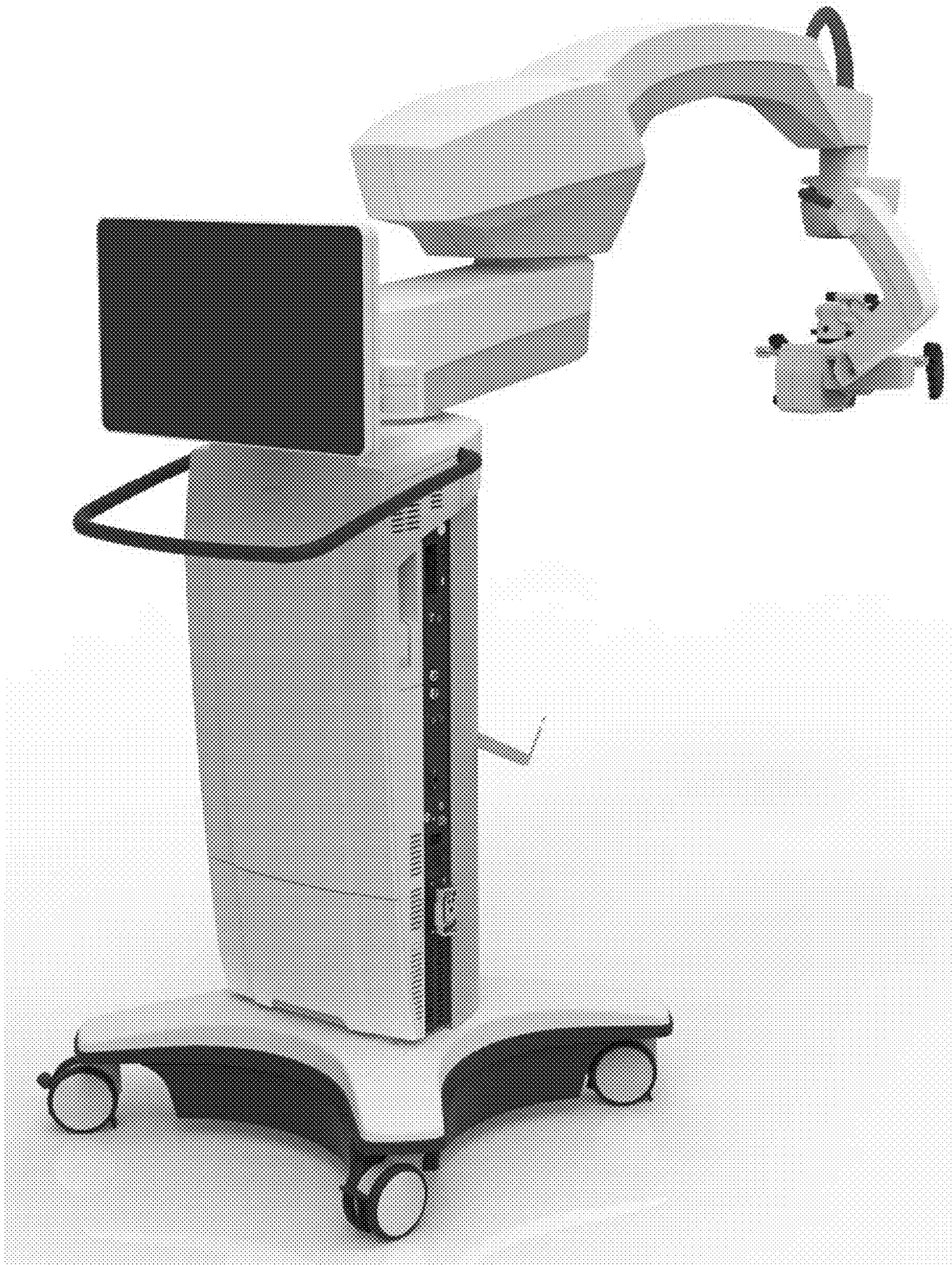


FIG. 2

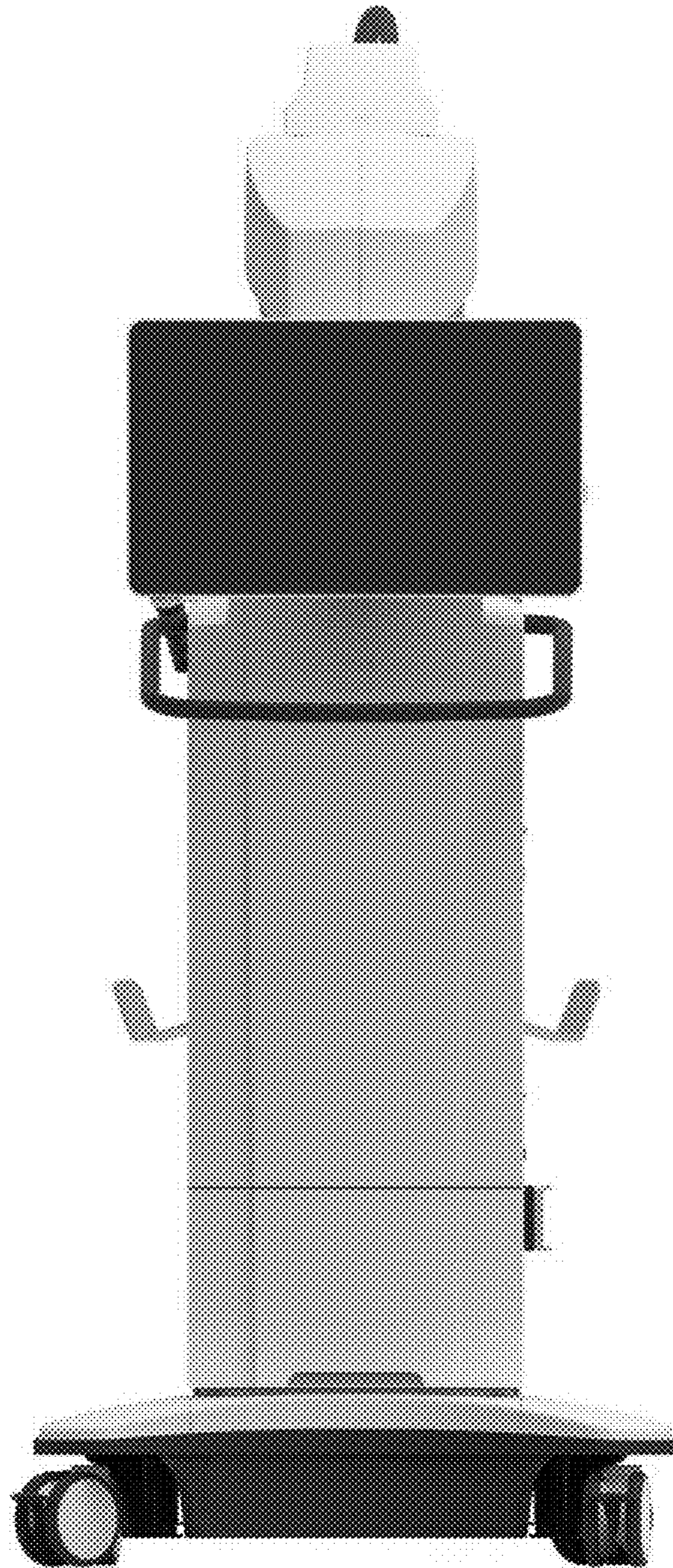


FIG. 3

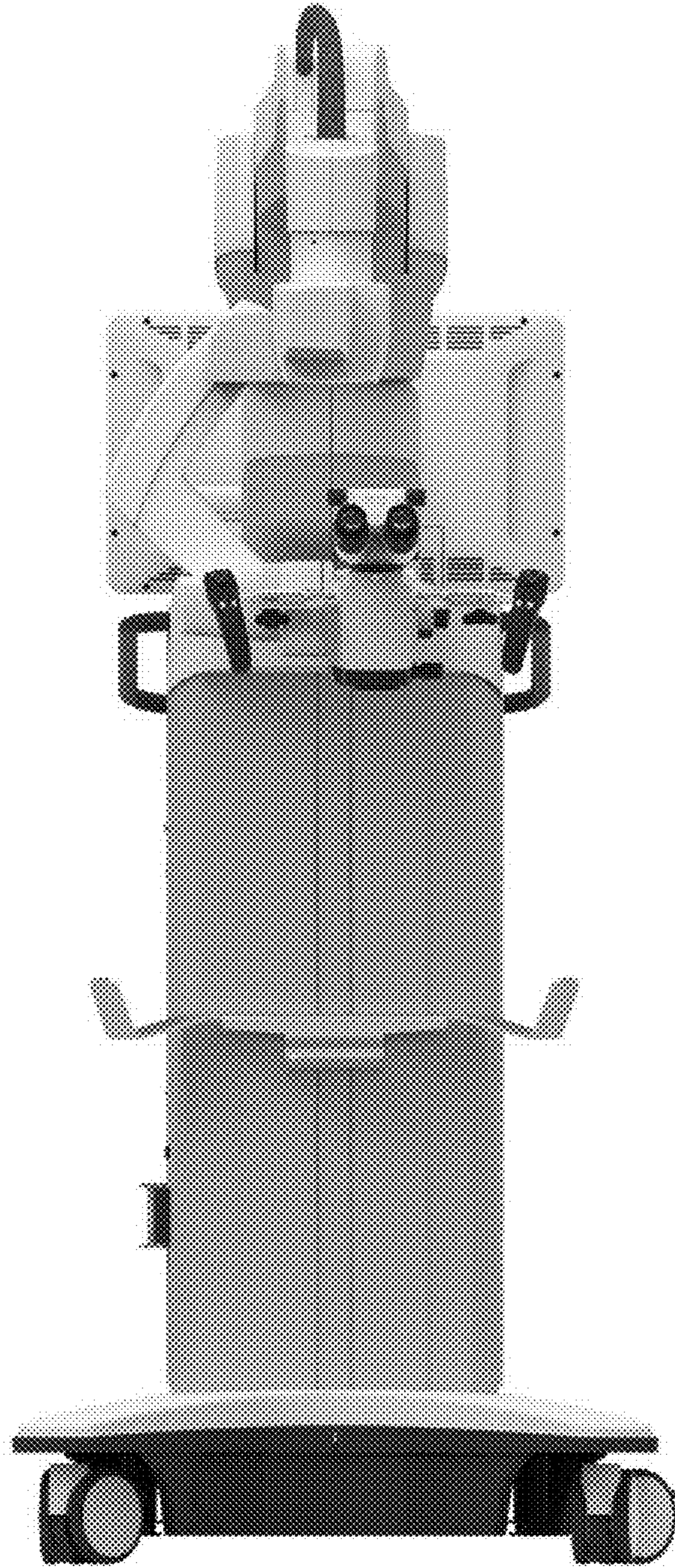


FIG. 4

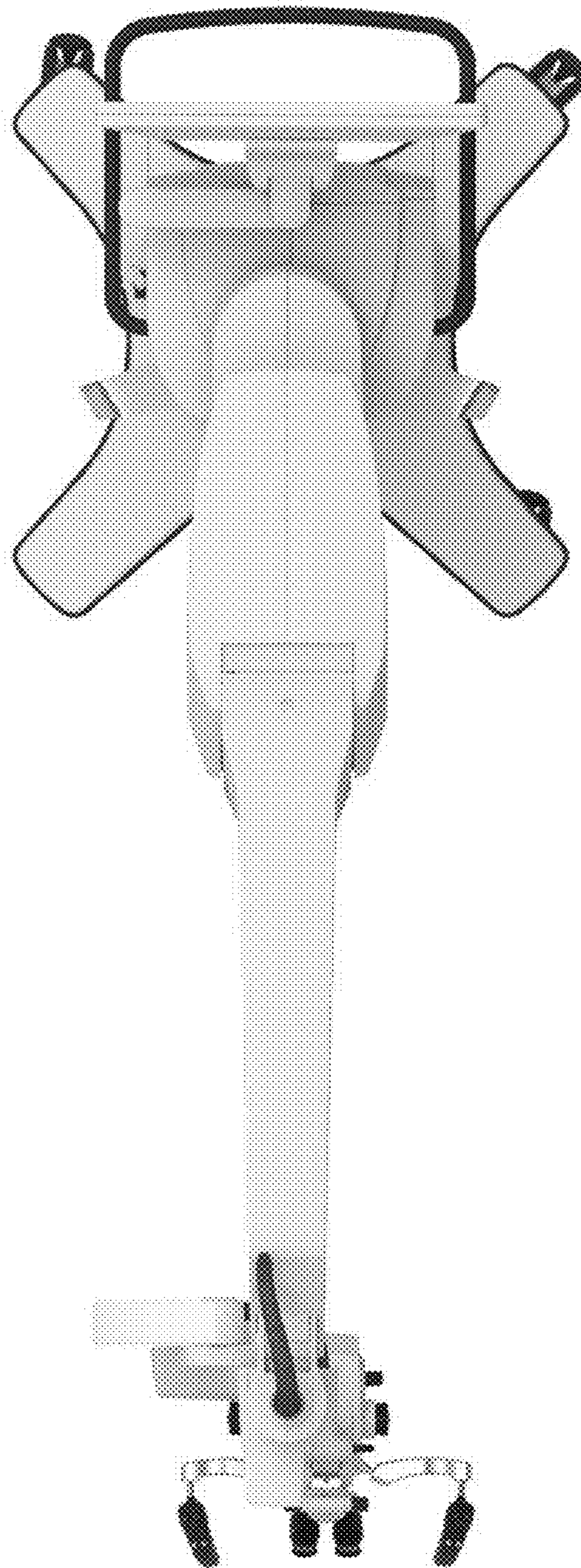


FIG. 5

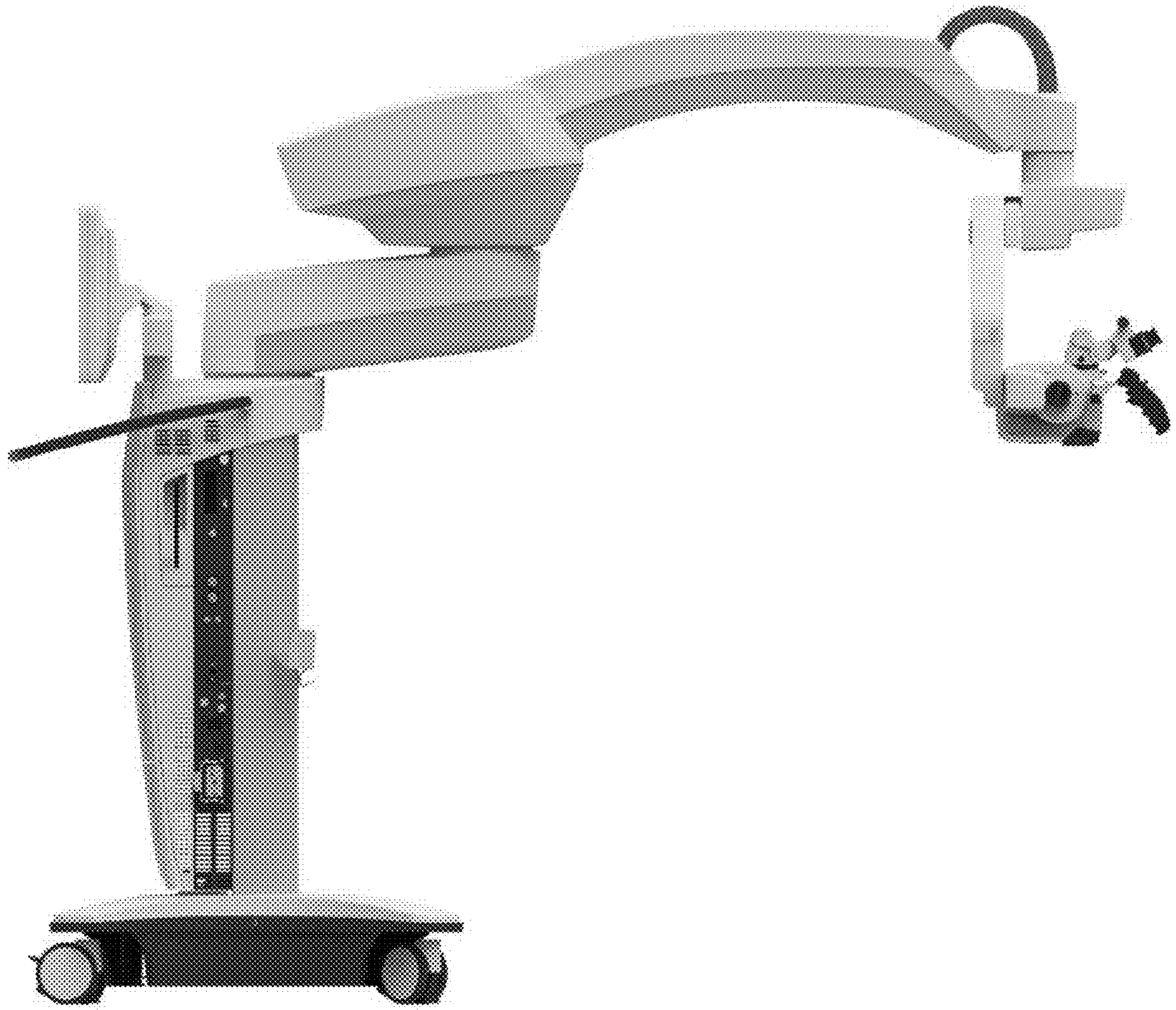


FIG. 6



FIG. 7