



US00D942518S

(12) **United States Design Patent**  
**Yang et al.**

(10) **Patent No.:** **US D942,518 S**  
(45) **Date of Patent:** **\*\* Feb. 1, 2022**

- (54) **TWO-WHEEL CAR ROBOT**
  - (71) Applicant: **Beijing KEYi Technology Co., Ltd.**,  
Beijing (CN)
  - (72) Inventors: **Jianbo Yang**, Beijing (CN); **Chen Zang**, Beijing (CN)
  - (73) Assignee: **Beijing KEYi Technology Co., Ltd.**,  
Beijing (CN)
  - (\*\*) Term: **15 Years**
  - (21) Appl. No.: **29/747,481**
  - (22) Filed: **Aug. 24, 2020**
  - (51) **LOC (13) Cl.** ..... **15-99**
  - (52) **U.S. Cl.**  
USPC ..... **D15/199**
  - (58) **Field of Classification Search**  
USPC ..... D15/122, 199; D21/578–583; D34/34,  
D34/35  
CPC ..... B23K 9/287; B23K 9/133; B25J 9/0025;  
B25J 9/0018; B25J 9/046; B25J 9/042;  
B25J 9/06; H01L 21/67766; Y10T  
74/20311; Y10T 74/20307; Y10T  
74/20207; Y10T 74/20
- See application file for complete search history.

- D890,829 S \* 7/2020 Wilson ..... D15/199
  - D891,494 S \* 7/2020 Wilson ..... D15/199
  - D895,705 S \* 9/2020 Johansen ..... D15/199
  - D901,694 S \* 11/2020 Mendoza ..... D24/185
  - D905,145 S \* 12/2020 Ingerick ..... D15/199
  - D912,114 S \* 3/2021 Reichert ..... D15/199
- (Continued)

**FOREIGN PATENT DOCUMENTS**

- CN 305957208 S 7/2020
  - KR 20080107936 A \* 12/2008
- (Continued)

**OTHER PUBLICATIONS**

The applicant participated in the International Consumer Electronics Show from Jan. 7, 2020 to Jan. 10, 2020, and the exhibition venue is Sands Expo 201 Sands Ave, Las Vegas, NV 89169.

(Continued)

*Primary Examiner* — Patricia A Palasik  
(74) *Attorney, Agent, or Firm* — Andrew C. Cheng

(57) **CLAIM**

We claim the ornamental design for a two-wheel car robot, as shown and described.

**DESCRIPTION**

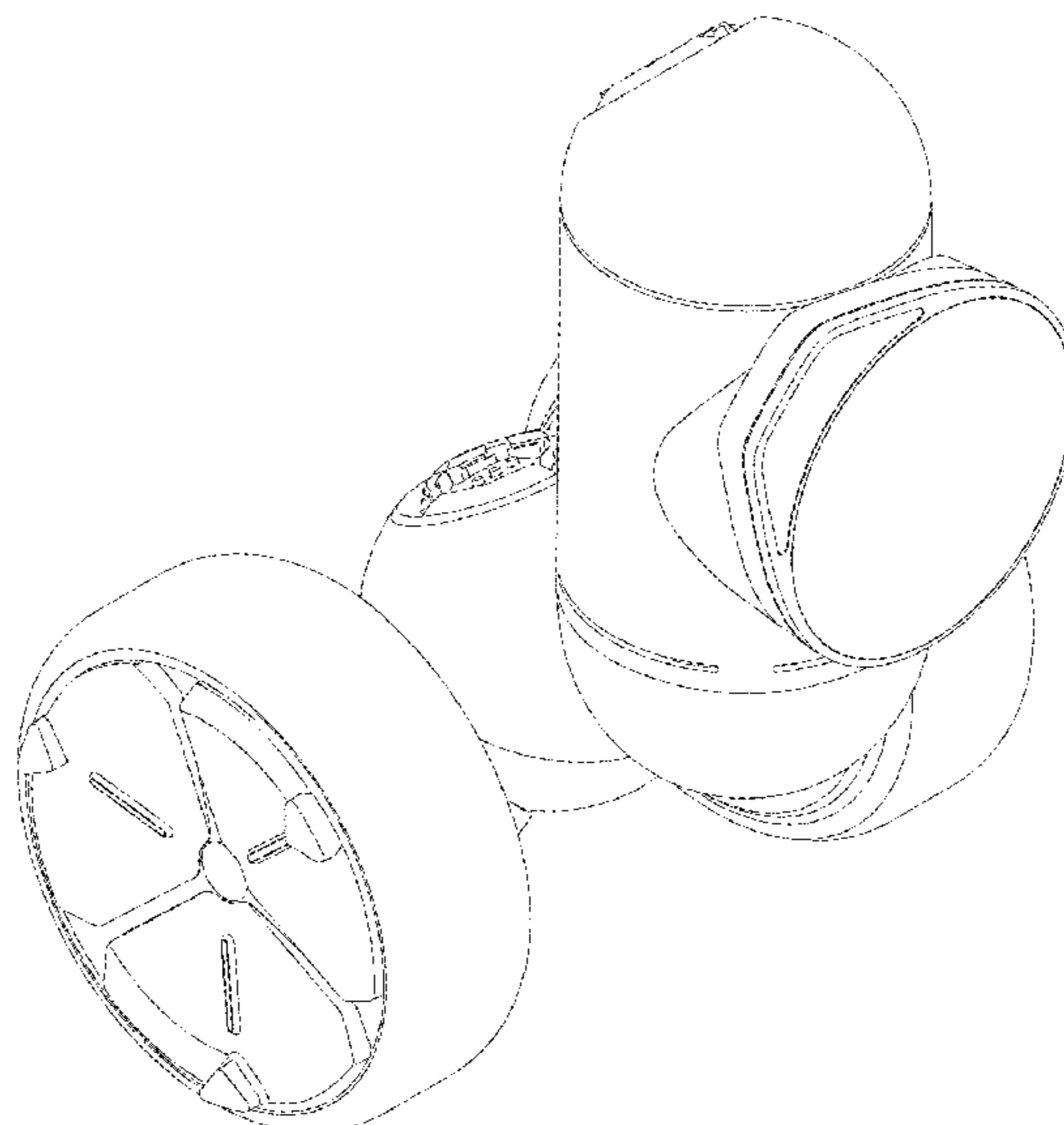
FIG. 1 is a front view of a two-wheel car robot showing our new design according to a first embodiment;  
FIG. 2 is a rear view thereof;  
FIG. 3 is a left side view thereof;  
FIG. 4 is a right side view thereof;  
FIG. 5 is a top view thereof;  
FIG. 6 is a bottom view thereof;  
FIG. 7 is a perspective view thereof; and,  
FIG. 8 is an enlarged view of the rectangular portion 8 of FIG. 2.

**1 Claim, 8 Drawing Sheets**

(56) **References Cited**

**U.S. PATENT DOCUMENTS**

- D465,733 S \* 11/2002 Hill ..... D9/519
- D692,041 S \* 10/2013 Selic ..... D15/199
- D734,821 S \* 7/2015 Greaves ..... D21/578
- D740,371 S \* 10/2015 Ries ..... D21/333
- D824,460 S \* 7/2018 Wang ..... D21/578
- D831,755 S \* 10/2018 Wang ..... D21/578
- D832,327 S \* 10/2018 Miao ..... D15/199
- D835,582 S \* 12/2018 Wang ..... D13/133
- D866,553 S \* 11/2019 Miura ..... D14/388
- D874,530 S \* 2/2020 Haddadin ..... D15/199
- D878,441 S \* 3/2020 Hayashi ..... D15/199



(56)

**References Cited**

U.S. PATENT DOCUMENTS

D912,115	S *	3/2021	Rembisz .....	D15/199
D914,074	S *	3/2021	Tsuchiya .....	D15/199
D916,940	S *	4/2021	Wang .....	D15/199
D920,410	S *	5/2021	Chen .....	D15/199
D921,080	S *	6/2021	Chen .....	D15/199
D923,681	S *	6/2021	Lee .....	G05D 1/024 D15/199
D928,211	S *	8/2021	Boucard .....	D15/199
D928,213	S *	8/2021	Park .....	D15/199
D928,857	S *	8/2021	Pacheco .....	D15/199
D928,858	S *	8/2021	Lee .....	D15/199
D930,058	S *	9/2021	Mahe .....	D15/199
D931,921	S *	9/2021	Haddadin .....	D15/199
2013/0047771	A1 *	2/2013	Liu .....	B25J 19/0029 74/490.02
2013/0125694	A1 *	5/2013	Long .....	B25J 11/0075 74/490.01
2013/0125696	A1 *	5/2013	Long .....	B25J 18/04 74/490.05
2013/0145891	A1 *	6/2013	Long .....	B25J 9/104 74/490.02
2020/0276697	A1 *	9/2020	Yan .....	B25J 5/007
2021/0039249	A1 *	2/2021	Yang .....	B25J 9/08

FOREIGN PATENT DOCUMENTS

WO	WO-2021013995	A1 *	1/2021	.....	B25J 9/08
WO	WO-2021017175	A1 *	2/2021		

OTHER PUBLICATIONS

The applicant uploaded a video on YouTube with link <https://www.youtube.com/watch?v=v3-VZJIO9mY>.

\* cited by examiner

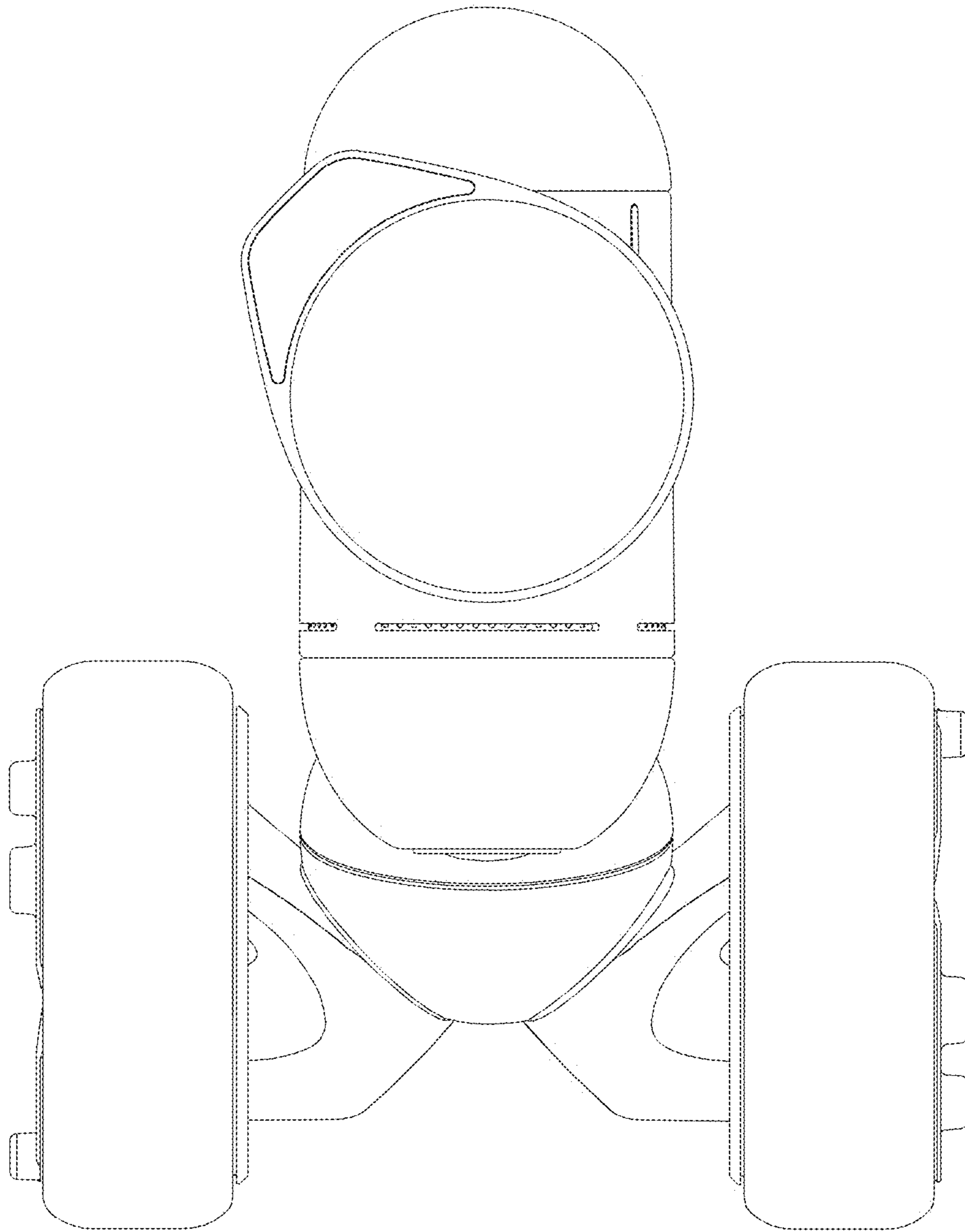


FIG. 1

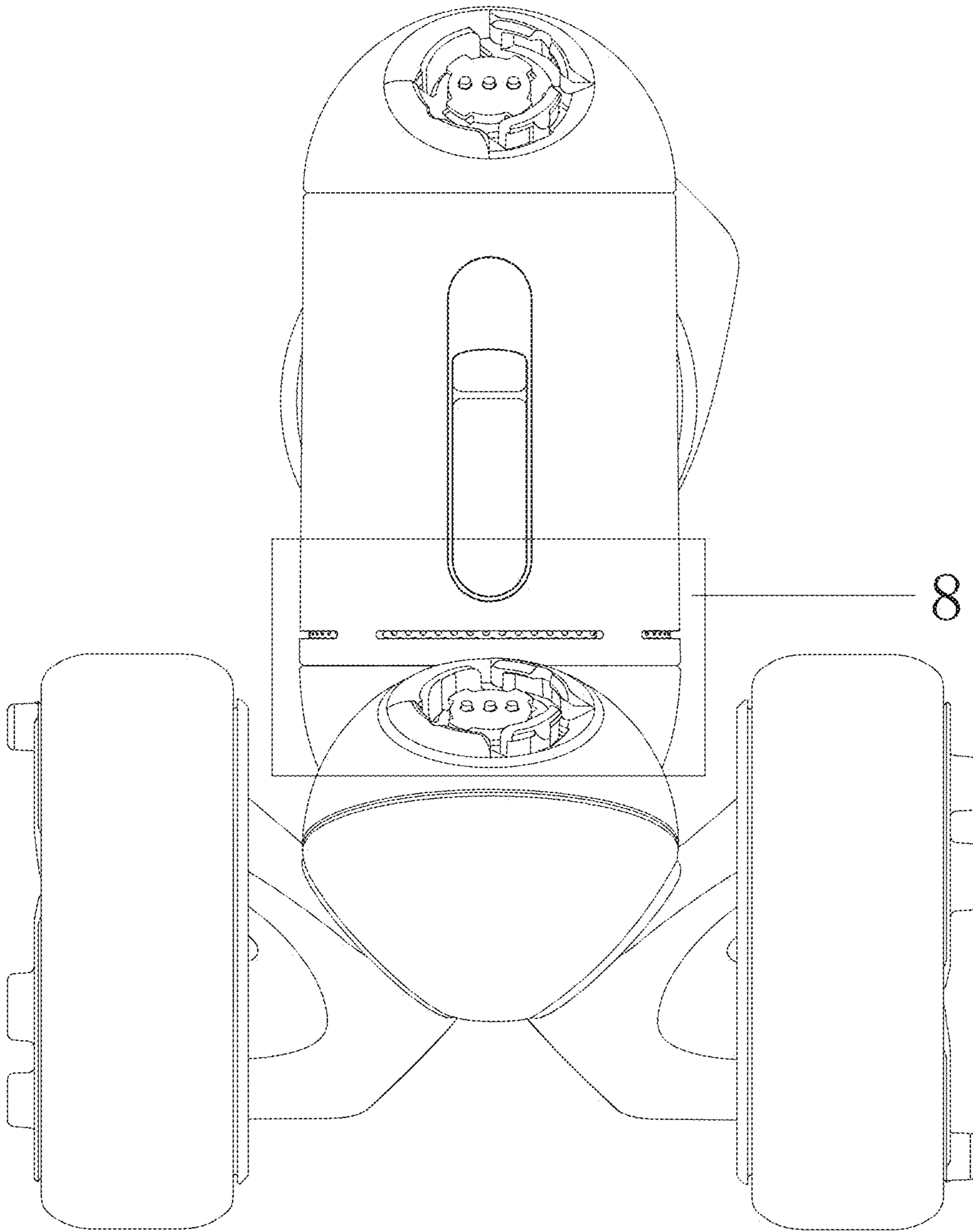


FIG. 2

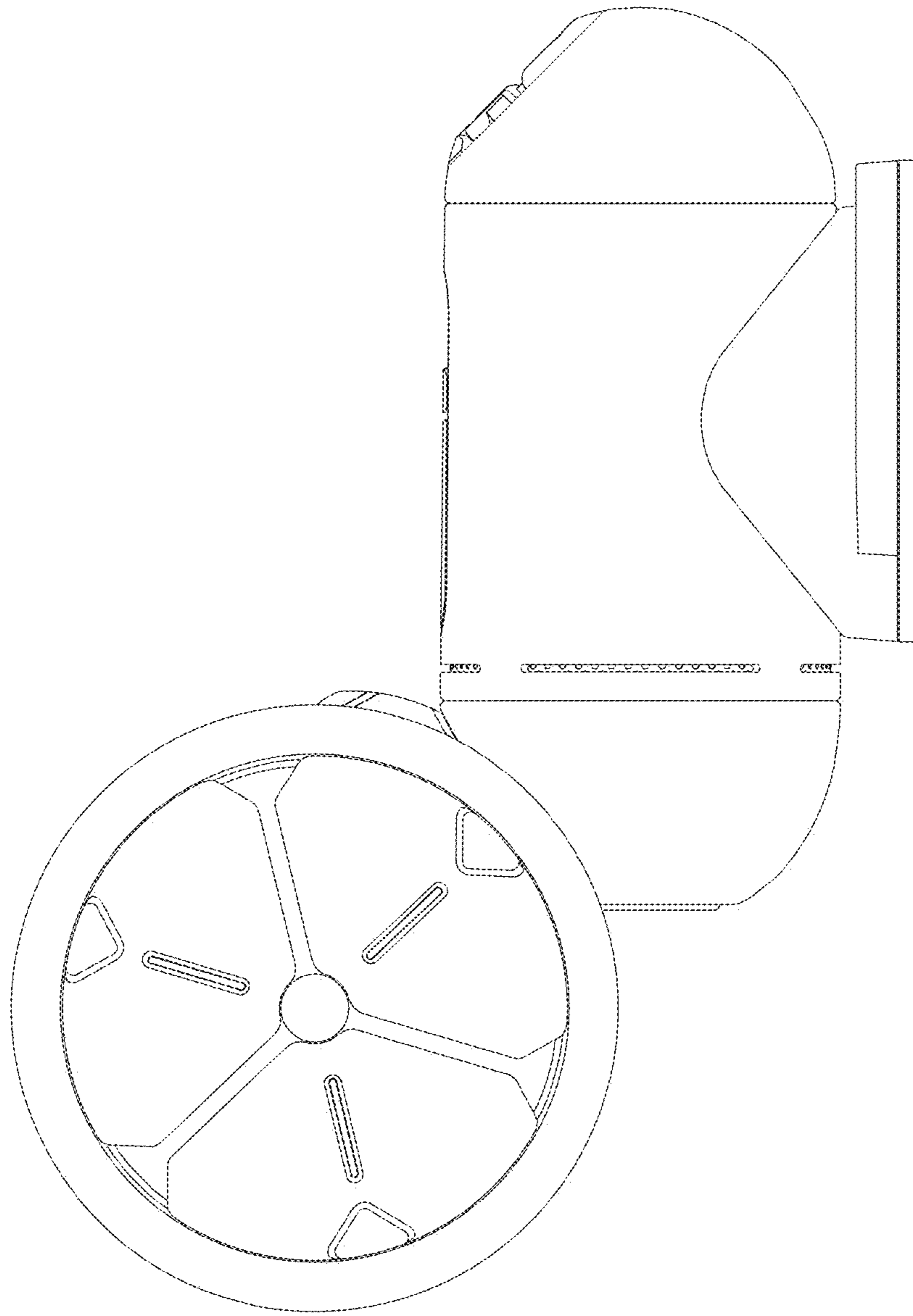


FIG. 3

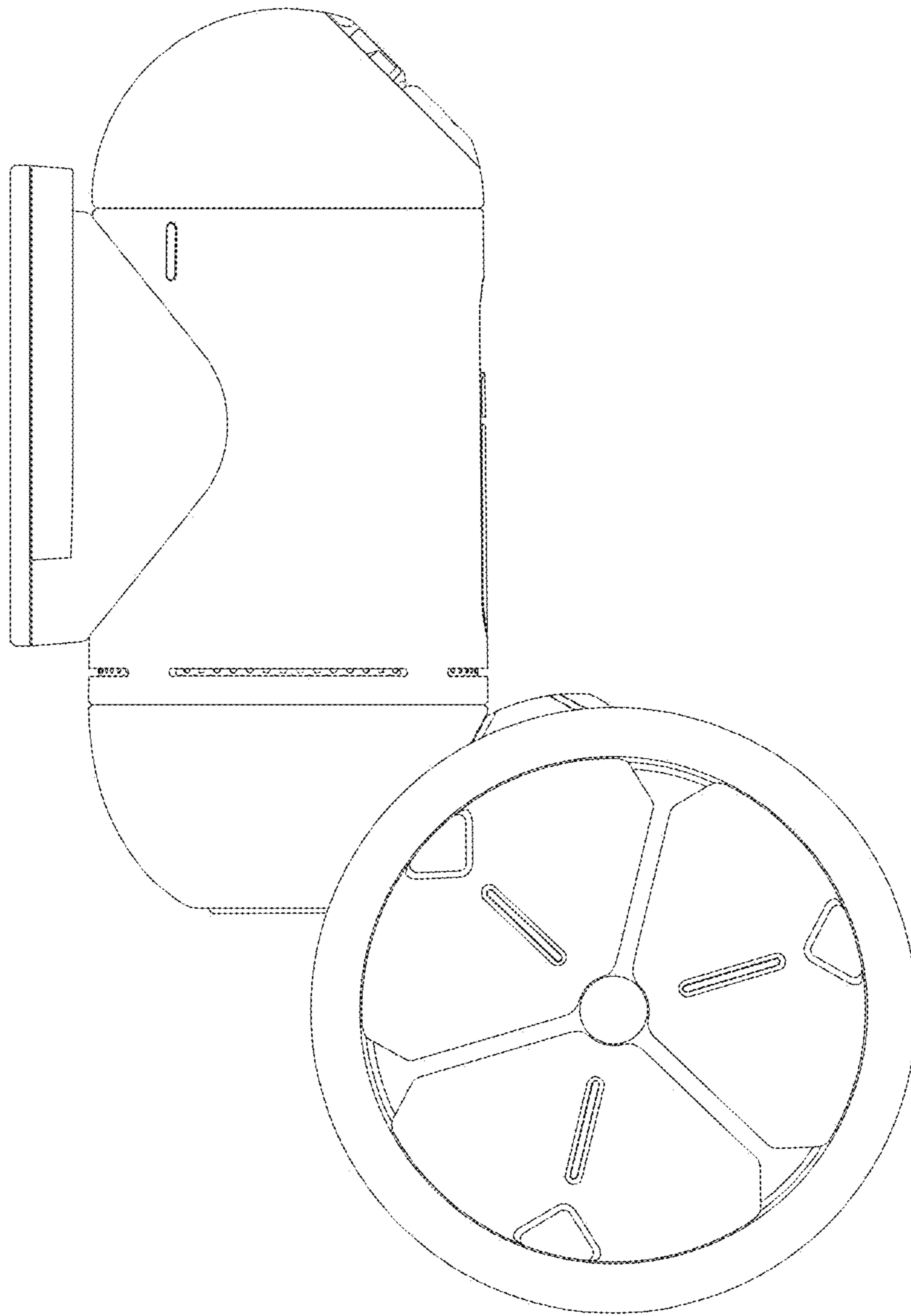


FIG. 4

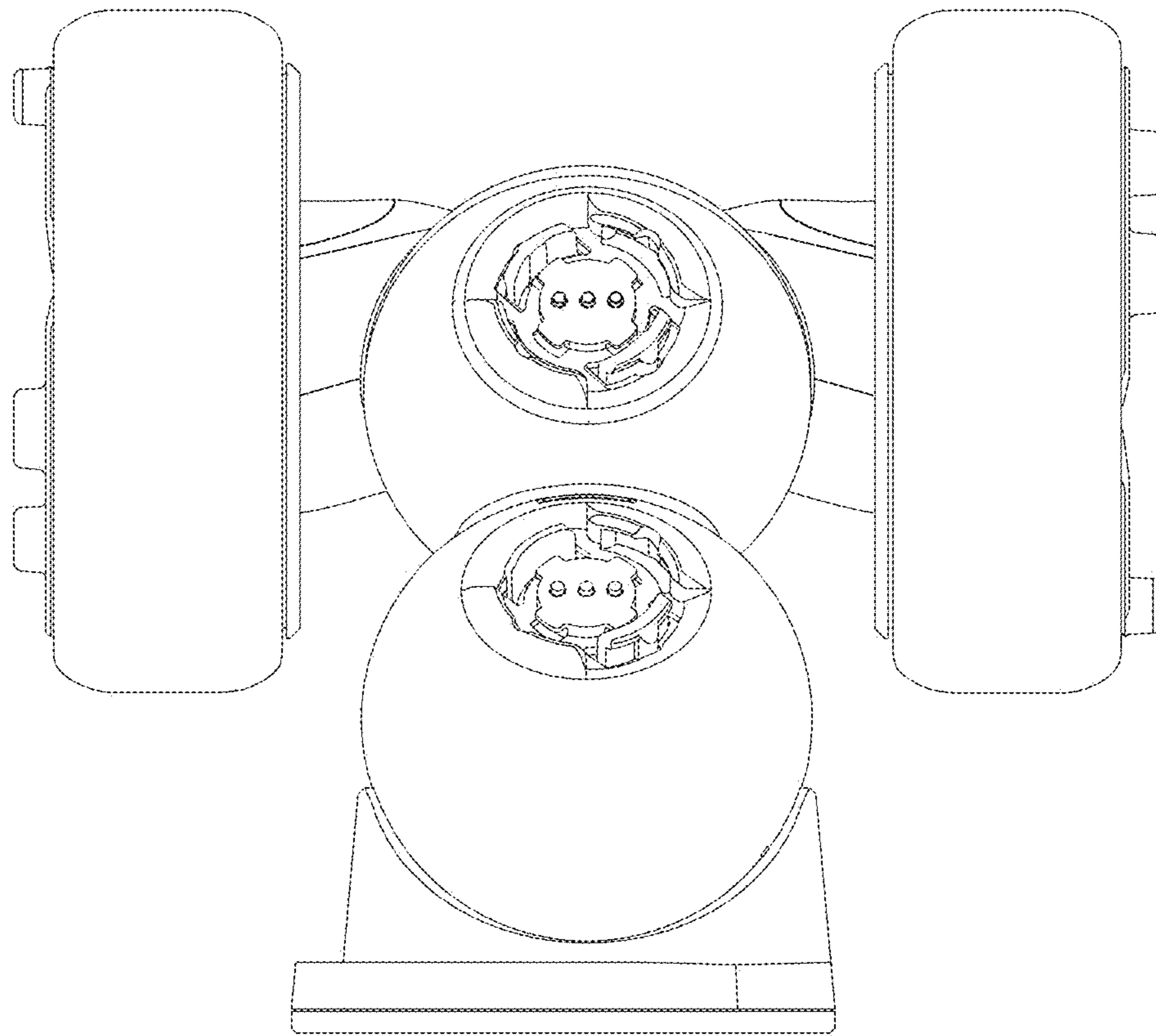


FIG. 5

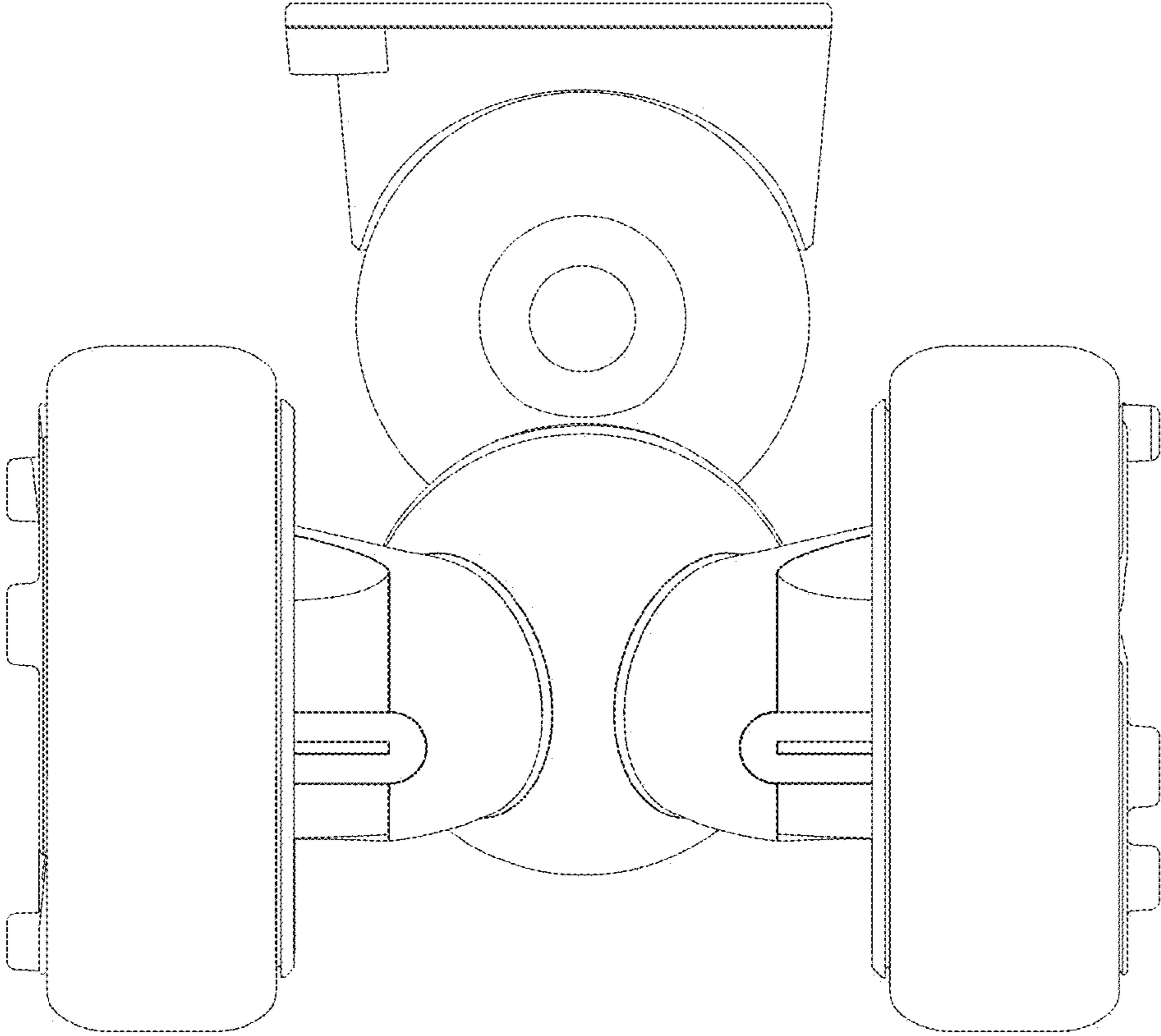


FIG. 6



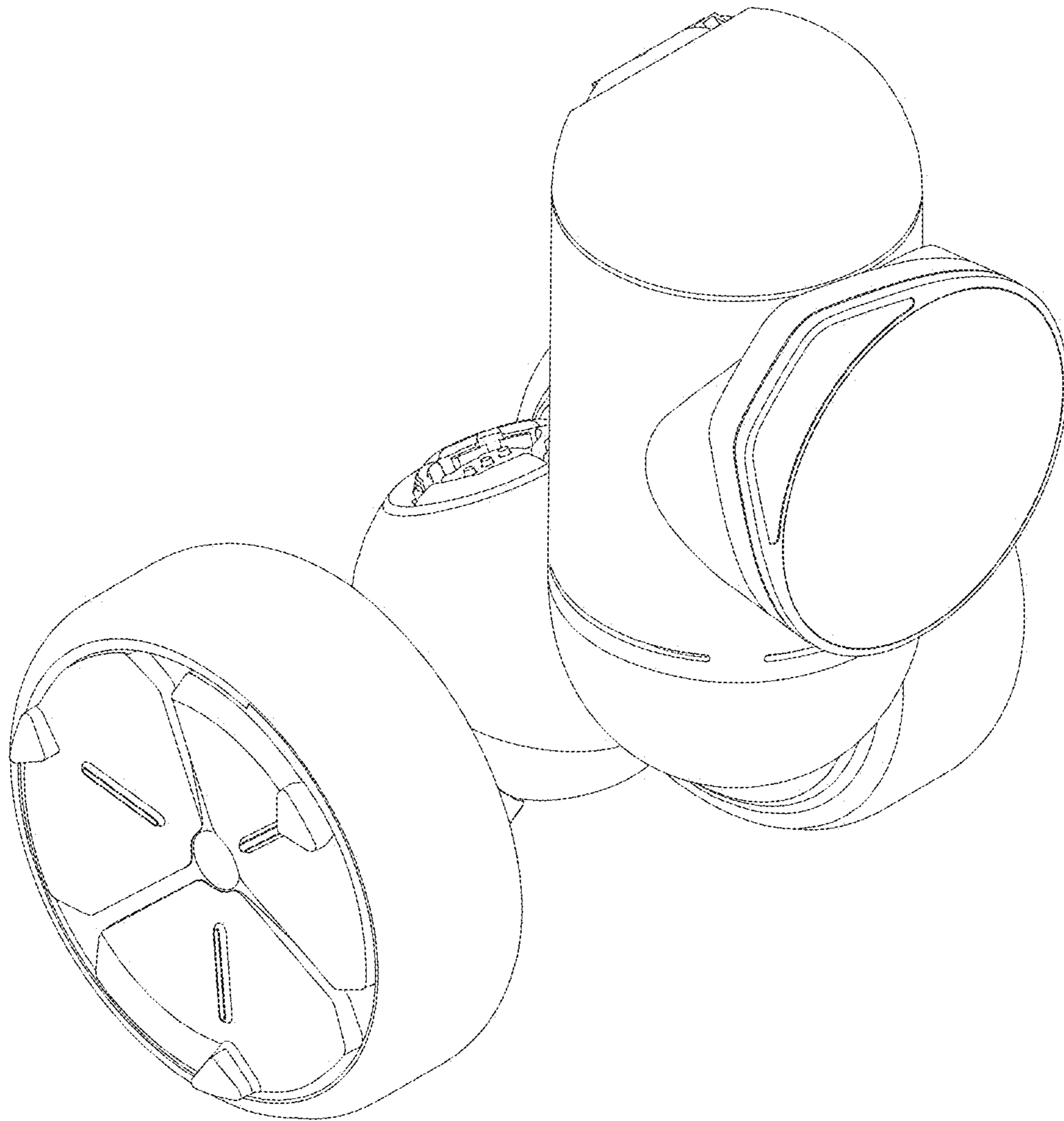


FIG. 7

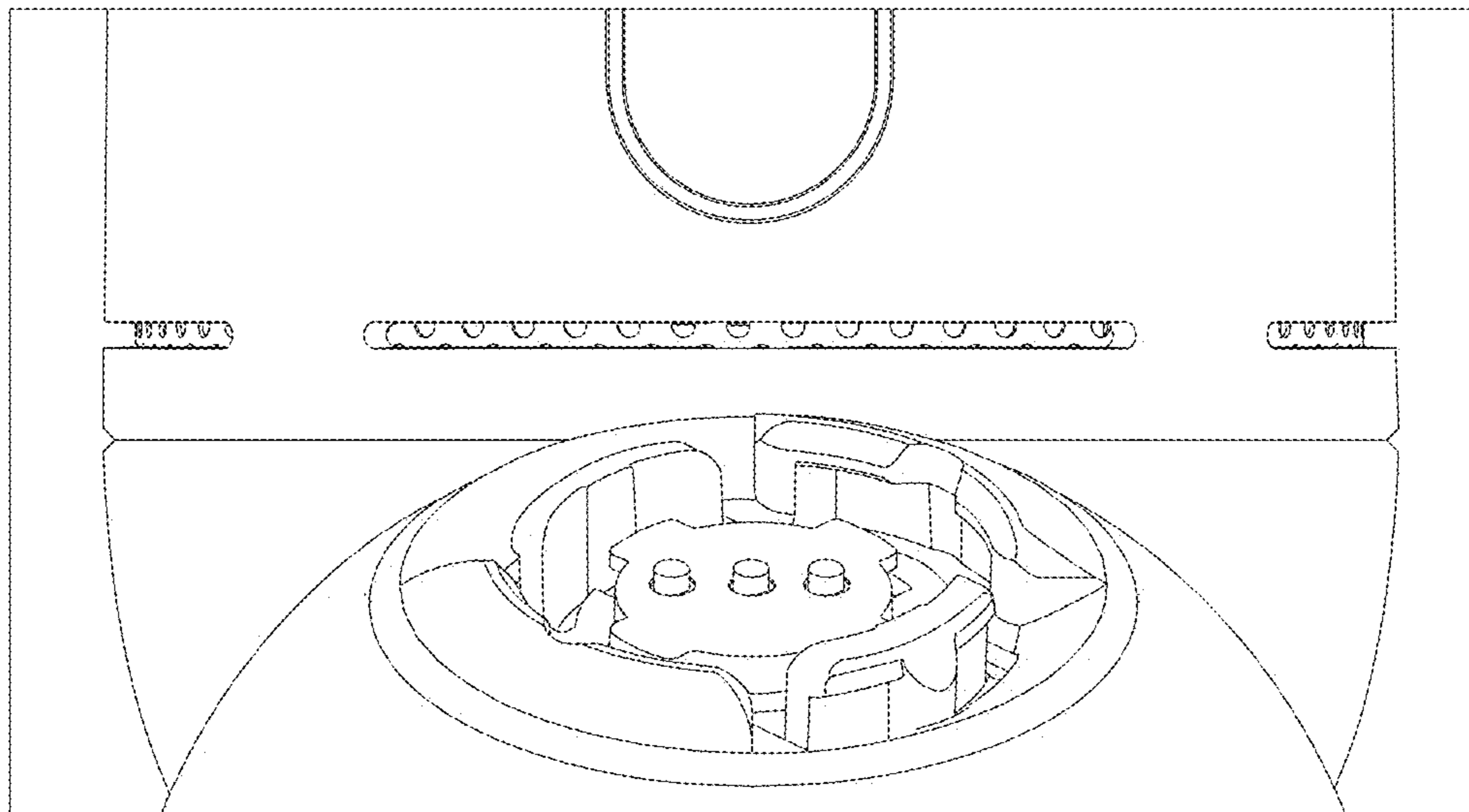


FIG. 8