



US00D942515S

(12) **United States Design Patent** (10) **Patent No.:** **US D942,515 S**
Ye (45) **Date of Patent:** **** Feb. 1, 2022**

(54) **ICE TRAY**

(71) Applicant: **Shenzhen Benhaida Rubber & Plastic Products Co., Ltd.**, Shenzhen (CN)

(72) Inventor: **Shuisheng Ye**, Shenzhen (CN)

(**) Term: **15 Years**

(21) Appl. No.: **29/785,225**

(22) Filed: **May 24, 2021**

(30) **Foreign Application Priority Data**

Apr. 23, 2021 (CN) 202130238208.8

(51) **LOC (13) Cl.** **15-07**

(52) **U.S. Cl.**
USPC **D15/90**

(58) **Field of Classification Search**

USPC D7/300, 368, 387, 603, 605, 629, 669,
D7/672; D15/79-91; D9/100

CPC F25C 2400/10; F25C 5/005; F25C 1/10;
F25C 2305/022; F25C 2600/04; F25C
2700/14; F25C 5/06; F25C 5/182; F25C

(Continued)

(56) **References Cited**

U.S. PATENT DOCUMENTS

2,591,261 A * 4/1952 Holahan F25C 1/24
249/92

D263,398 S 3/1982 Tiller
(Continued)

FOREIGN PATENT DOCUMENTS

CN 305971310 * 8/2020

OTHER PUBLICATIONS

Kelsey Adele Living, King Cube Ice Tray with Lid—Premium Silicone Mold for 2" Large Cubes, (first available date Sep. 4,

2014), Amazon.com, URL:<<https://www.amazon.com/Kelsey-Adele-King-Cube-Tray/dp/B00NAYELLC>> (Year: 2014).*

Primary Examiner — Sheryl Lane
Assistant Examiner — Mark T. Philipps

(57) **CLAIM**

The ornamental design for an ice tray, as shown and described.

DESCRIPTION

FIG. 1 is a front view of first embodiment of an ice tray showing my new design;

FIG. 2 is a left side view thereof;

FIG. 3 is a top plan view thereof;

FIG. 4 is a right side view thereof;

FIG. 5 is a bottom plan view thereof;

FIG. 6 is a rear view thereof;

FIG. 7 is a perspective view thereof;

FIG. 8 is a perspective view of use stage thereof;

FIG. 9 is a front view of second embodiment of an ice tray showing my new design;

FIG. 10 is a left side view thereof;

FIG. 11 is a top plan view thereof;

FIG. 12 is a right side view thereof;

FIG. 13 is a bottom plan view thereof;

FIG. 14 is a rear view thereof;

FIG. 15 is a perspective view thereof;

FIG. 16 is a perspective view of use stage thereof;

FIG. 17 is a front view of third embodiment of an ice tray showing my new design;

FIG. 18 is a left side view thereof;

FIG. 19 is a top plan view thereof;

FIG. 20 is a right side view thereof;

FIG. 21 is a bottom plan view thereof;

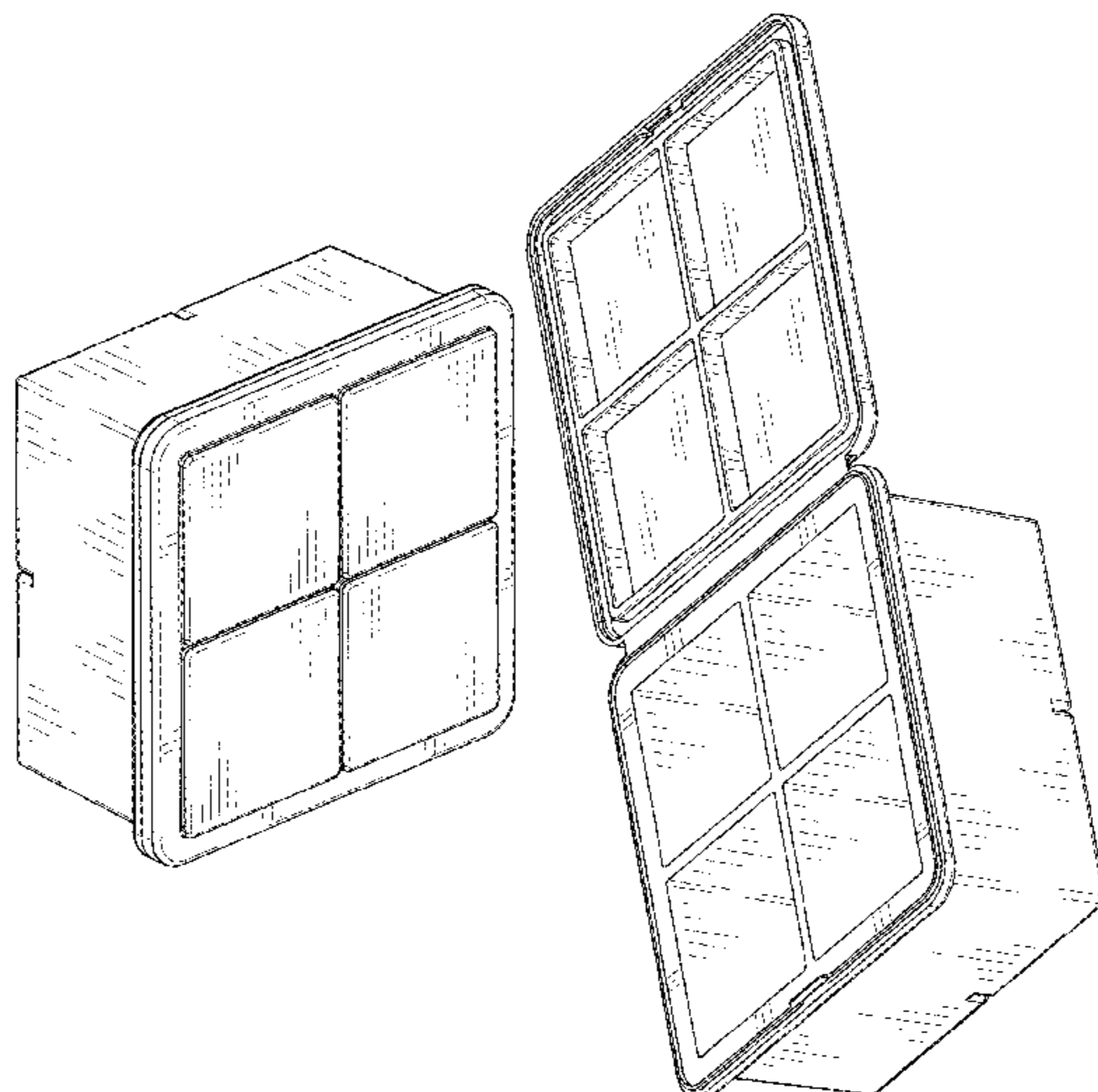
FIG. 22 is a rear view thereof;

FIG. 23 is a perspective view thereof; and,

FIG. 24 is a perspective view of use stage thereof.

The broken lines present in the drawings are for the purpose of illustrating portion of the ice tray that form no part of the claimed design.

1 Claim, 24 Drawing Sheets



(58) **Field of Classification Search**

CPC 1/08; F25C 1/24; F25C 2400/14; F25C
2500/02; A47J 43/00; A47J 43/20; A47J
9/00; A47J 9/007

See application file for complete search history.

(56) **References Cited**

U.S. PATENT DOCUMENTS

5,393,032 A * 2/1995 Cederroth B65D 77/2052
249/61
5,397,097 A * 3/1995 Dale F25C 1/243
249/120
D363,663 S * 10/1995 Plater D9/425
D636,412 S * 4/2011 Misse D15/90
D706,316 S * 6/2014 Hoyord D15/90
D759,735 S * 6/2016 Tsai D15/90
D855,087 S * 7/2019 Lopez D15/89
D857,766 S * 8/2019 Tseng D15/90
D874,920 S * 2/2020 Lindsay D9/420
D891,243 S * 7/2020 De Geyter D9/423
D910,090 S * 2/2021 Chen D15/90
D928,550 S * 8/2021 Cool D7/357
D931,914 S * 9/2021 Zhai D15/90

* cited by examiner

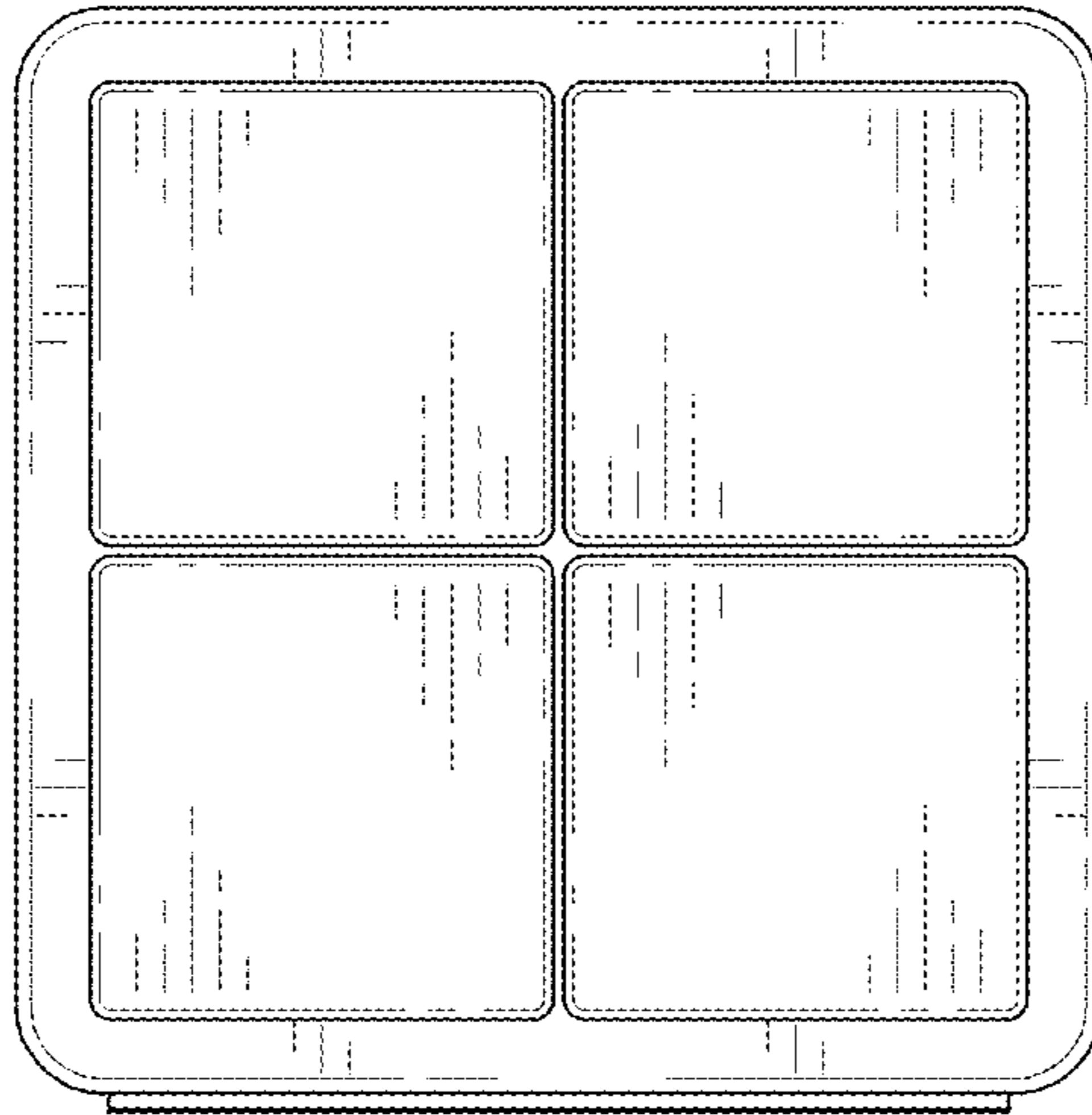


FIG. 1

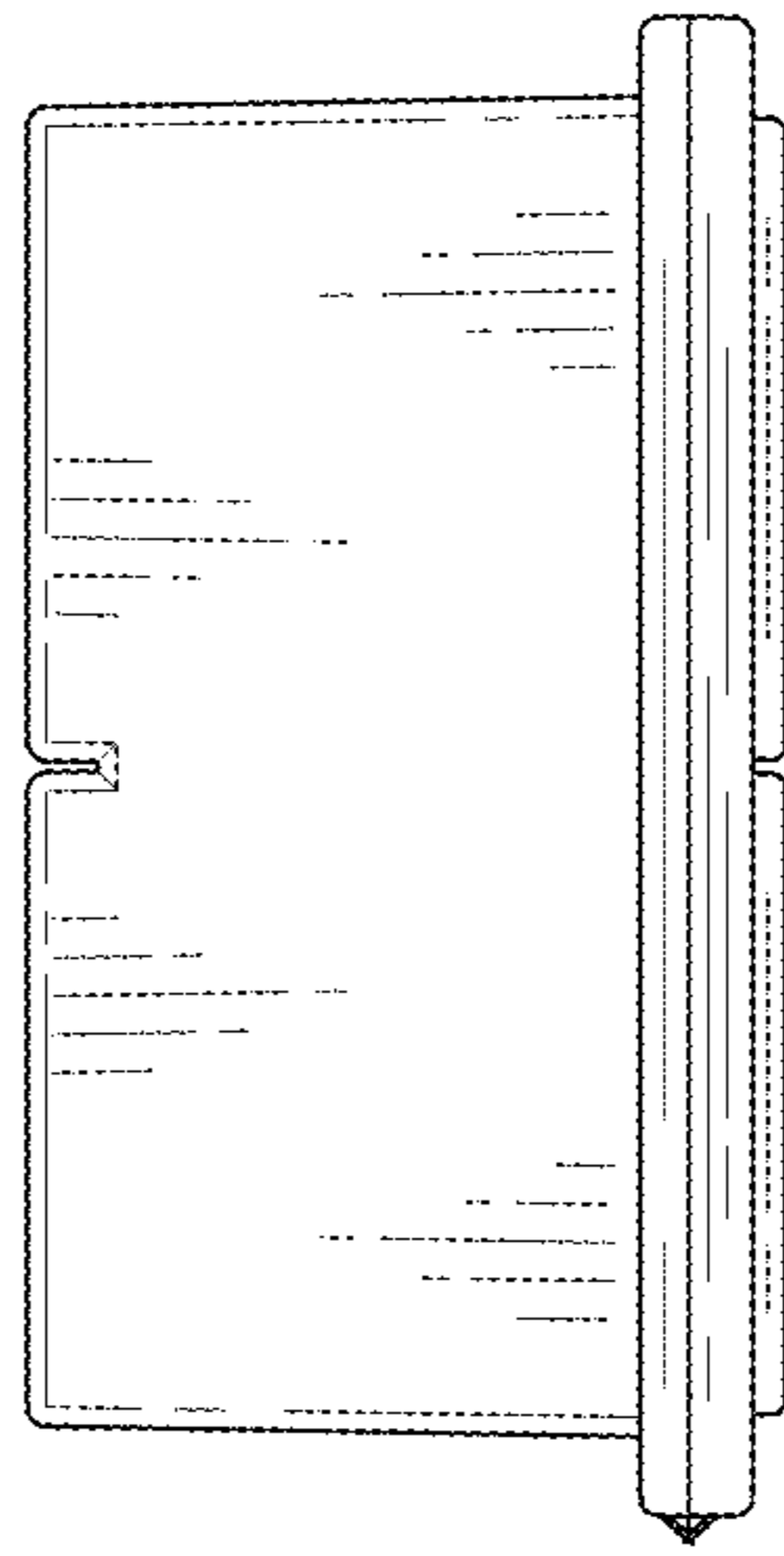


FIG. 2

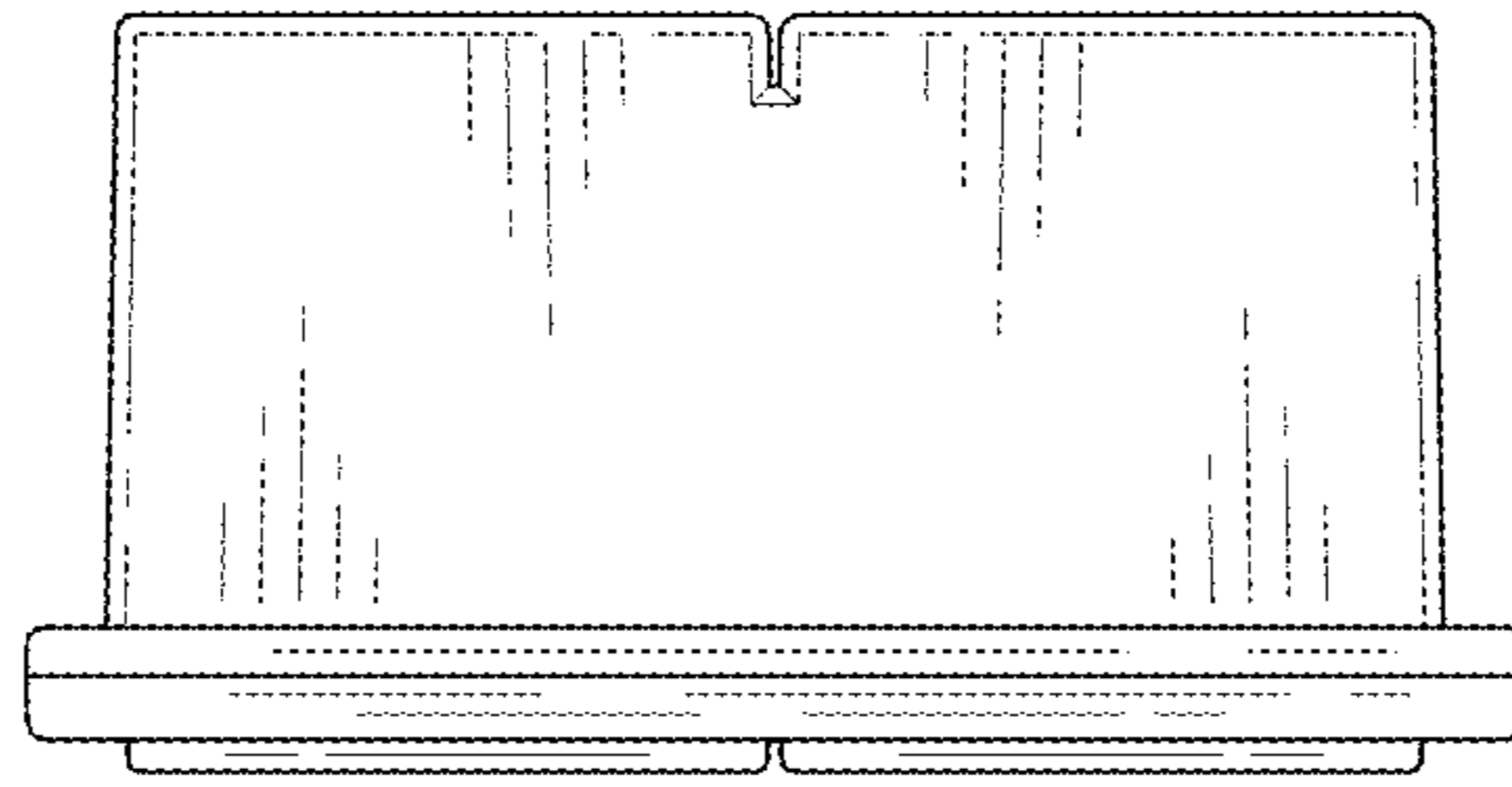


FIG. 3

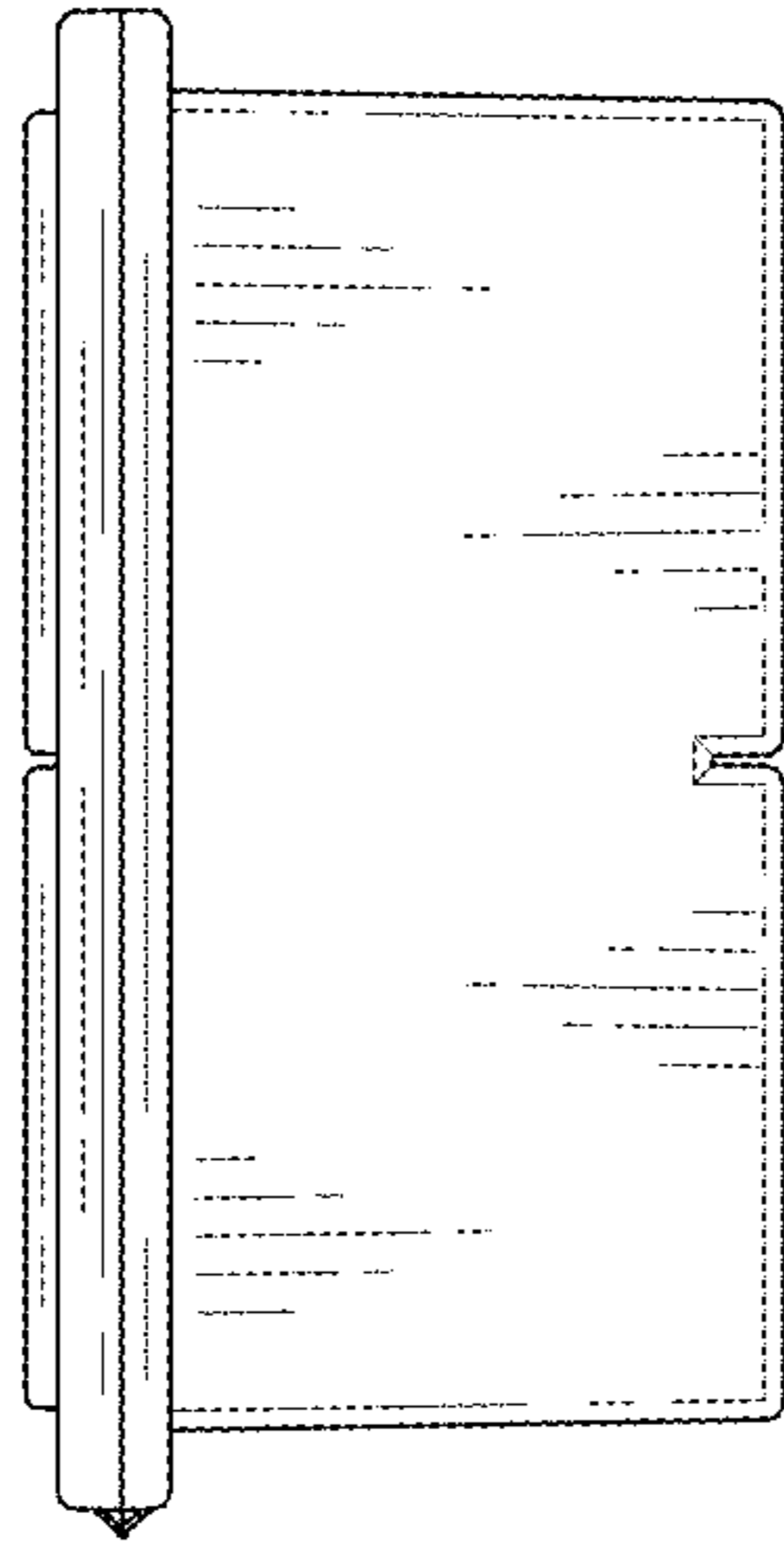


FIG. 4

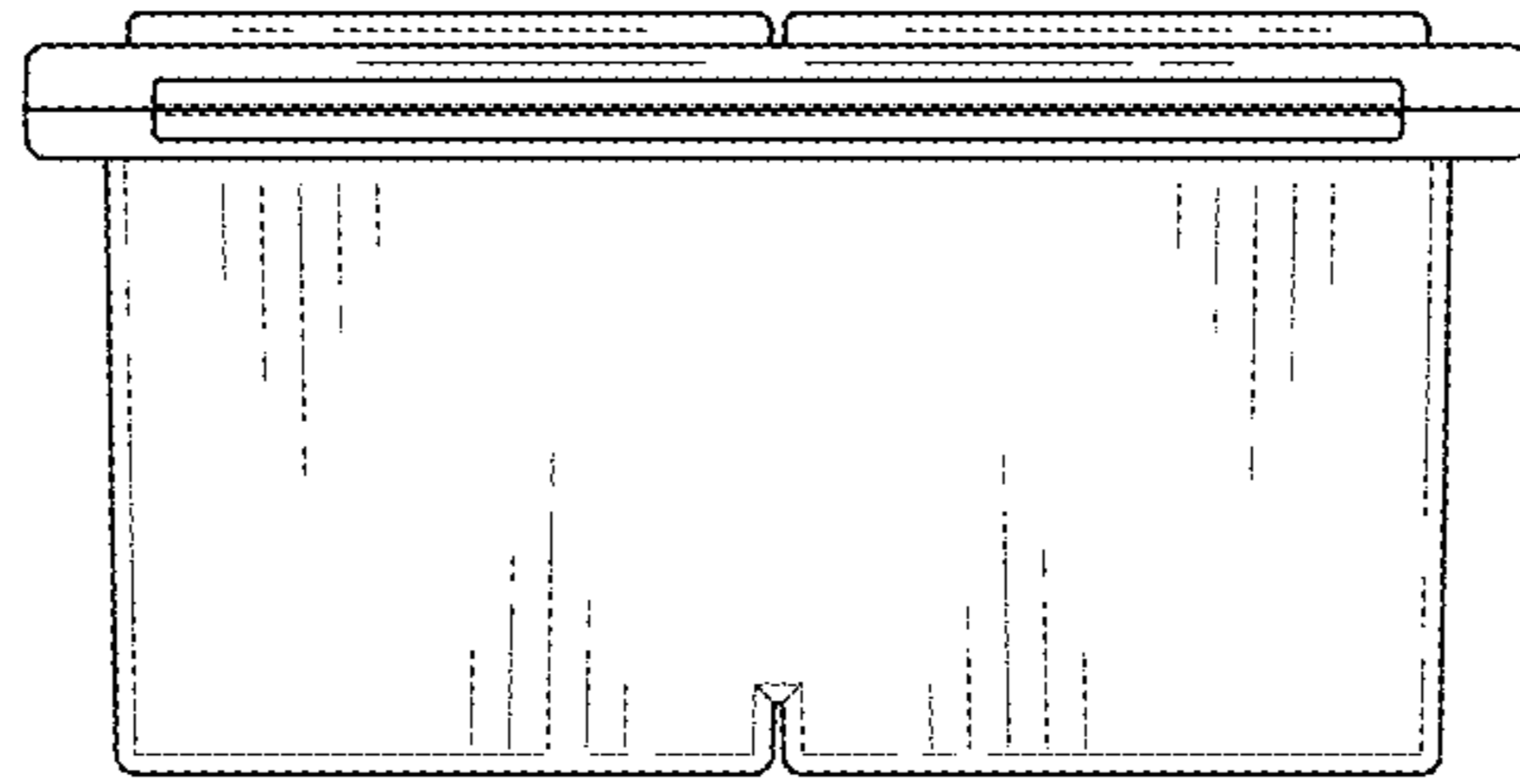


FIG. 5

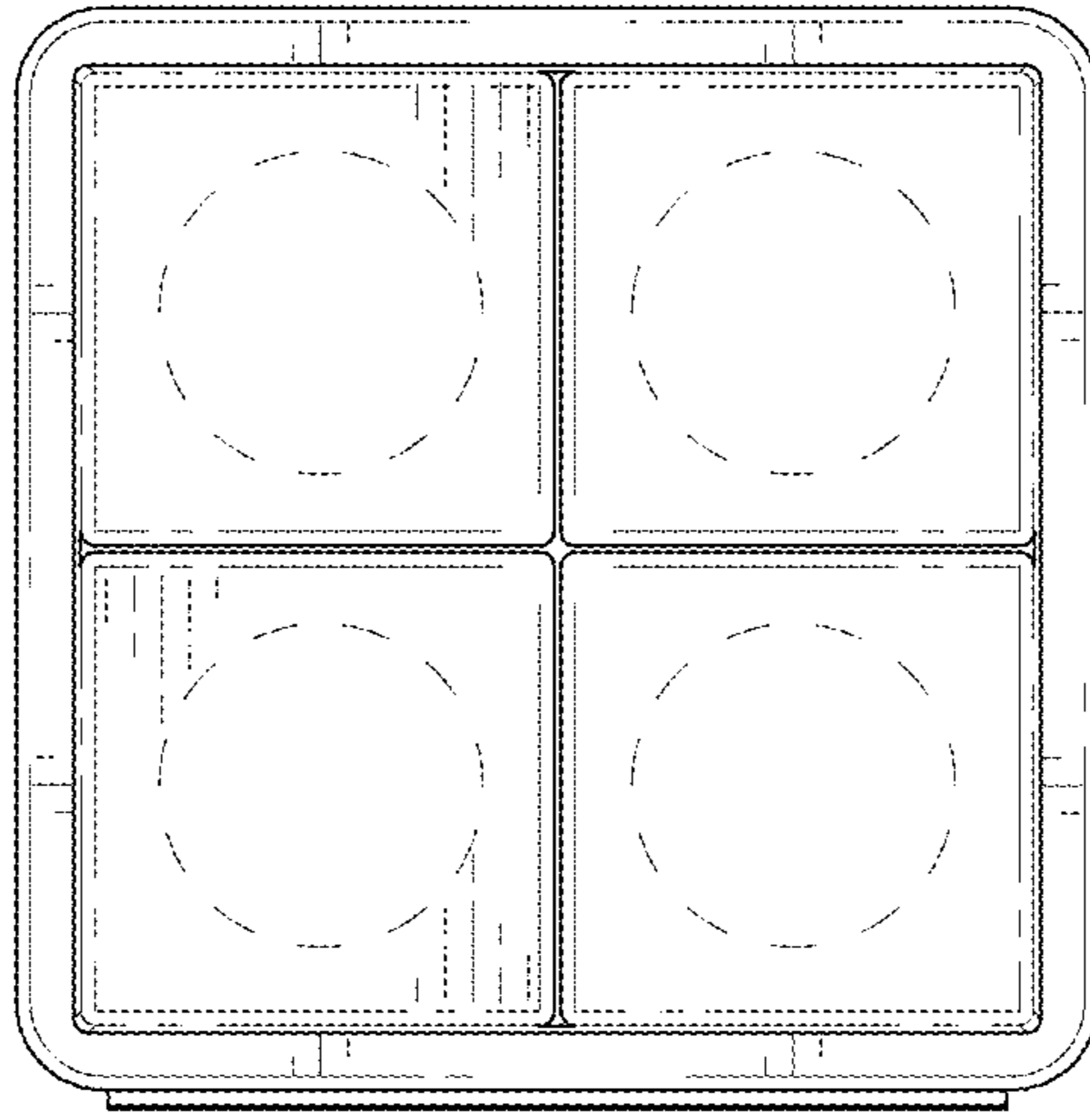


FIG. 6

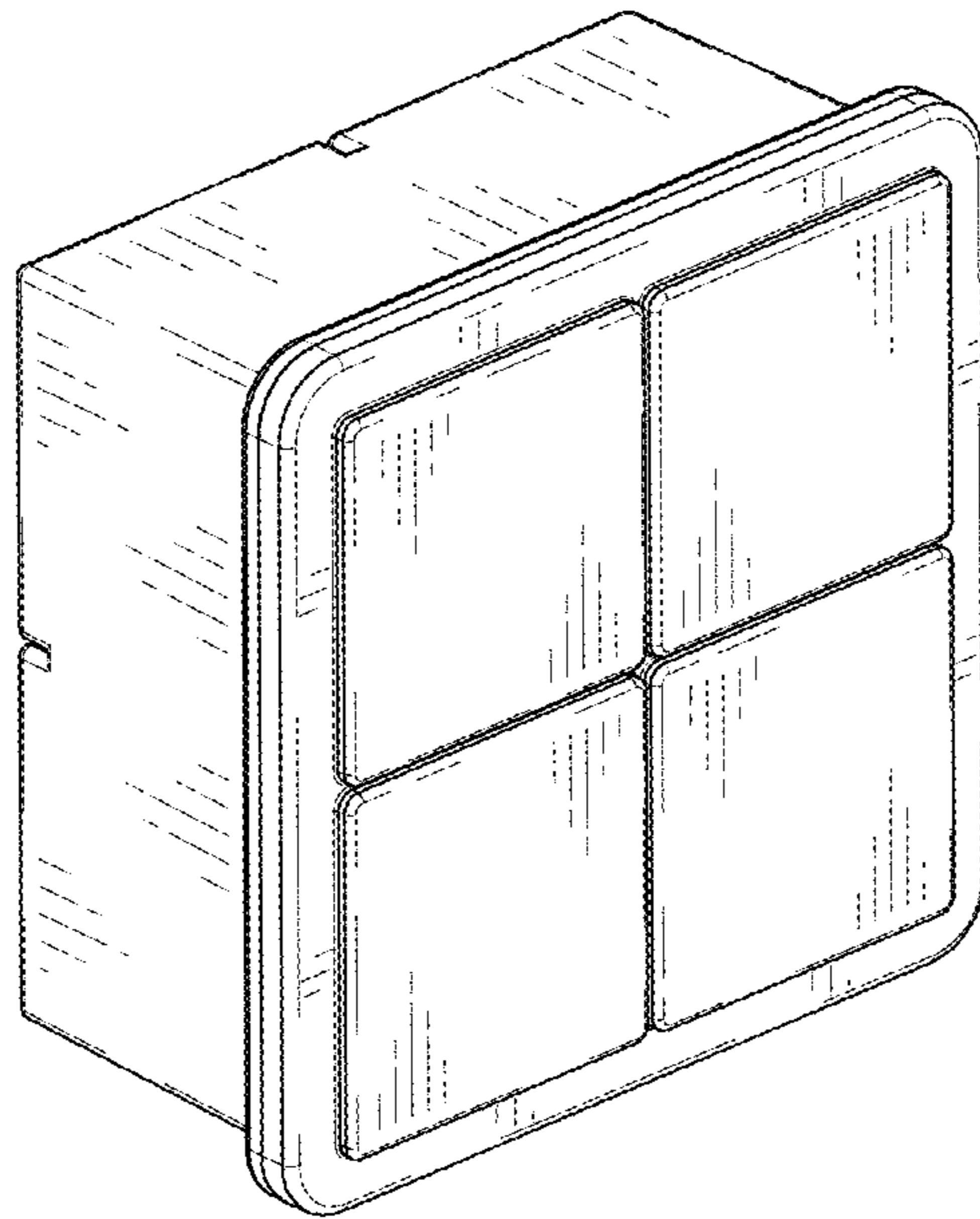


FIG. 7

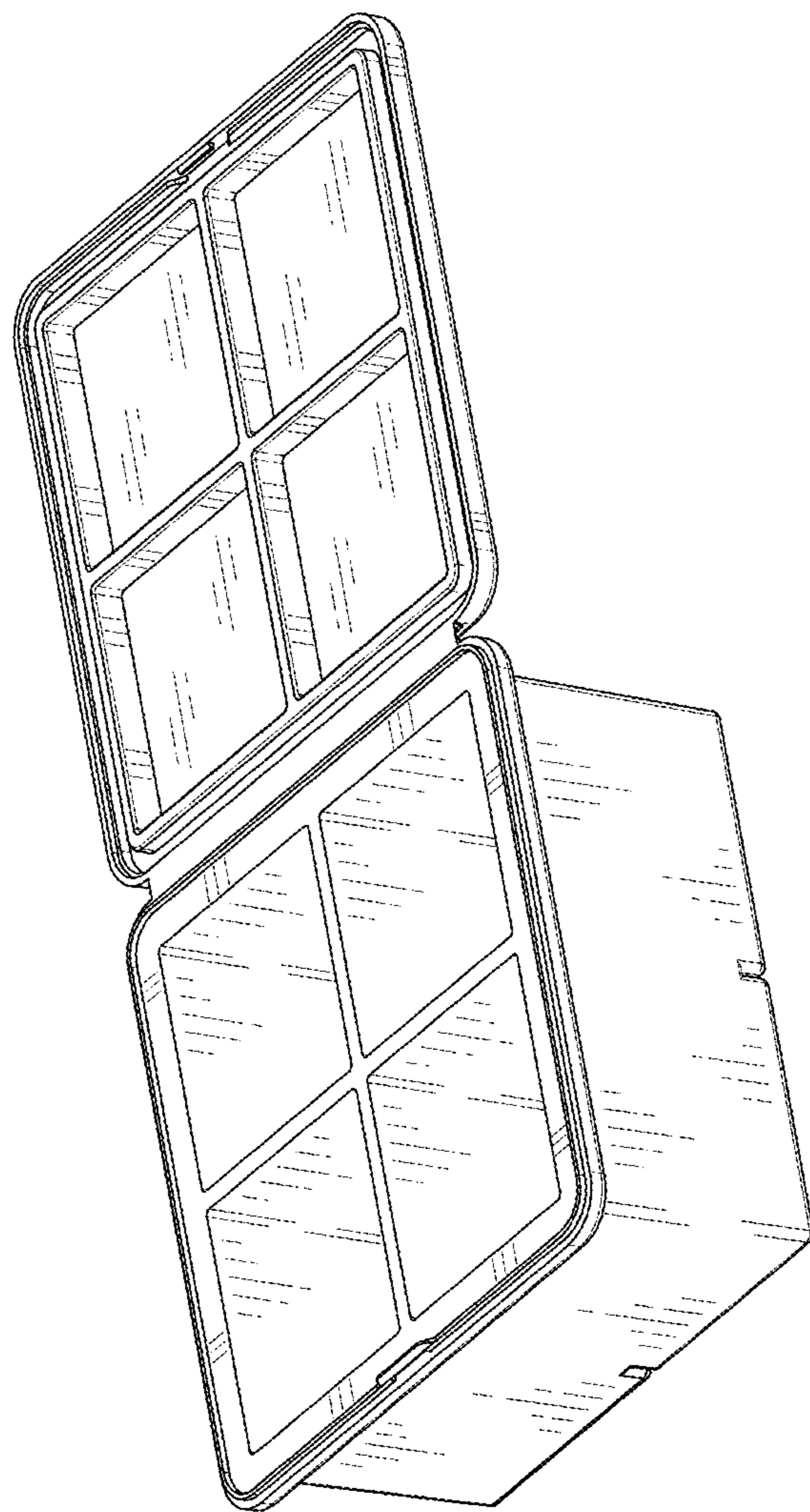


FIG. 8

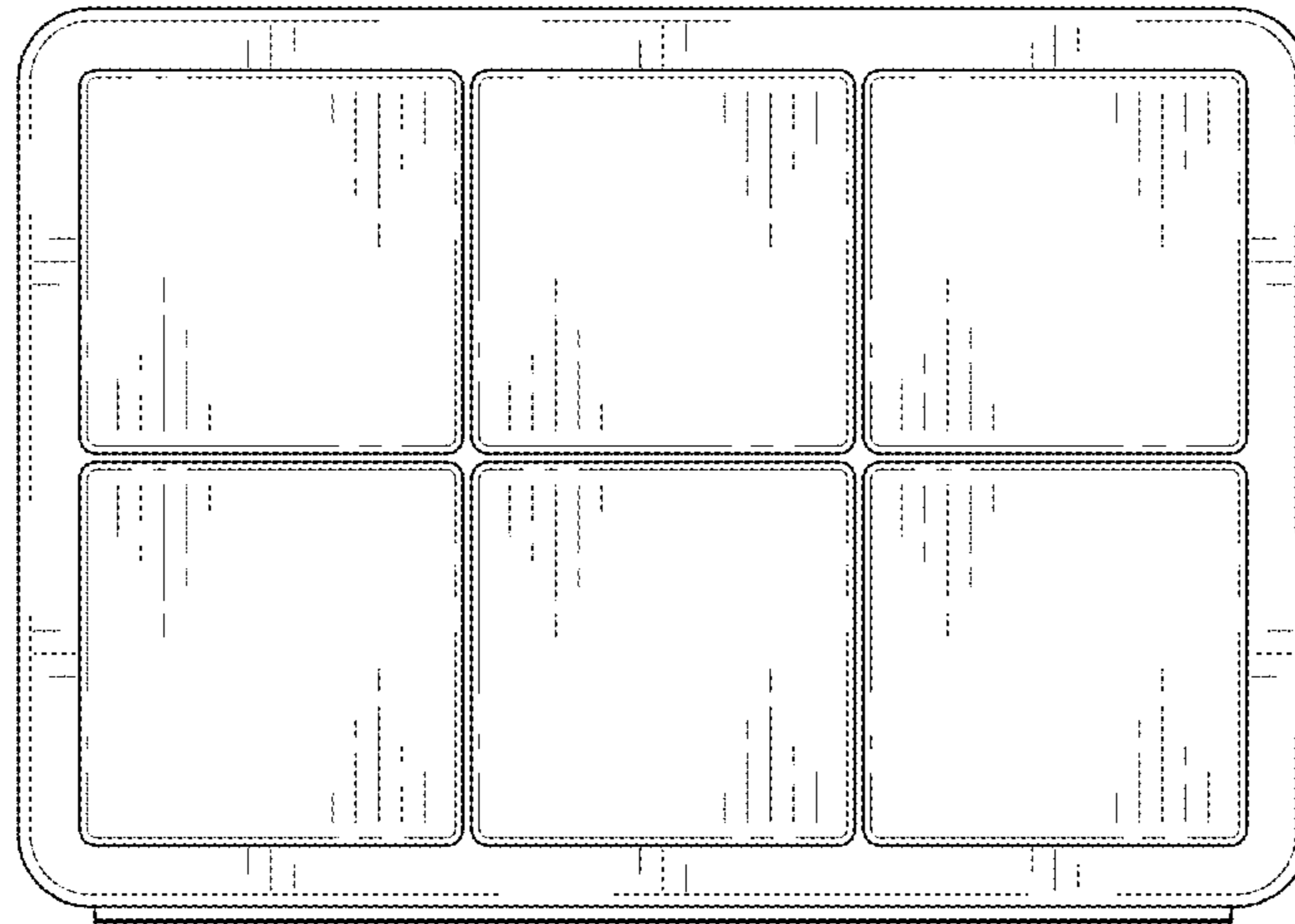


FIG. 9

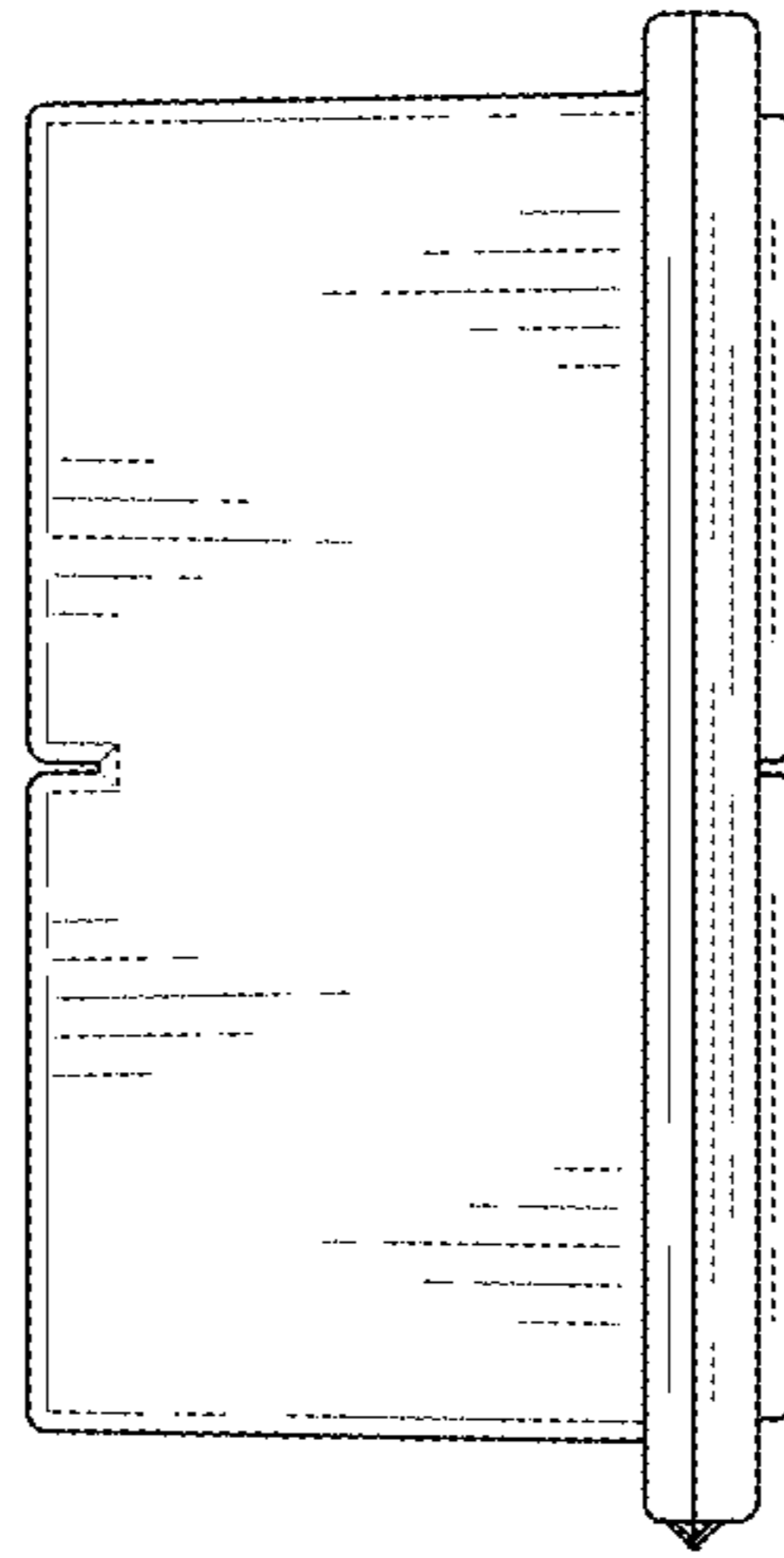


FIG. 10

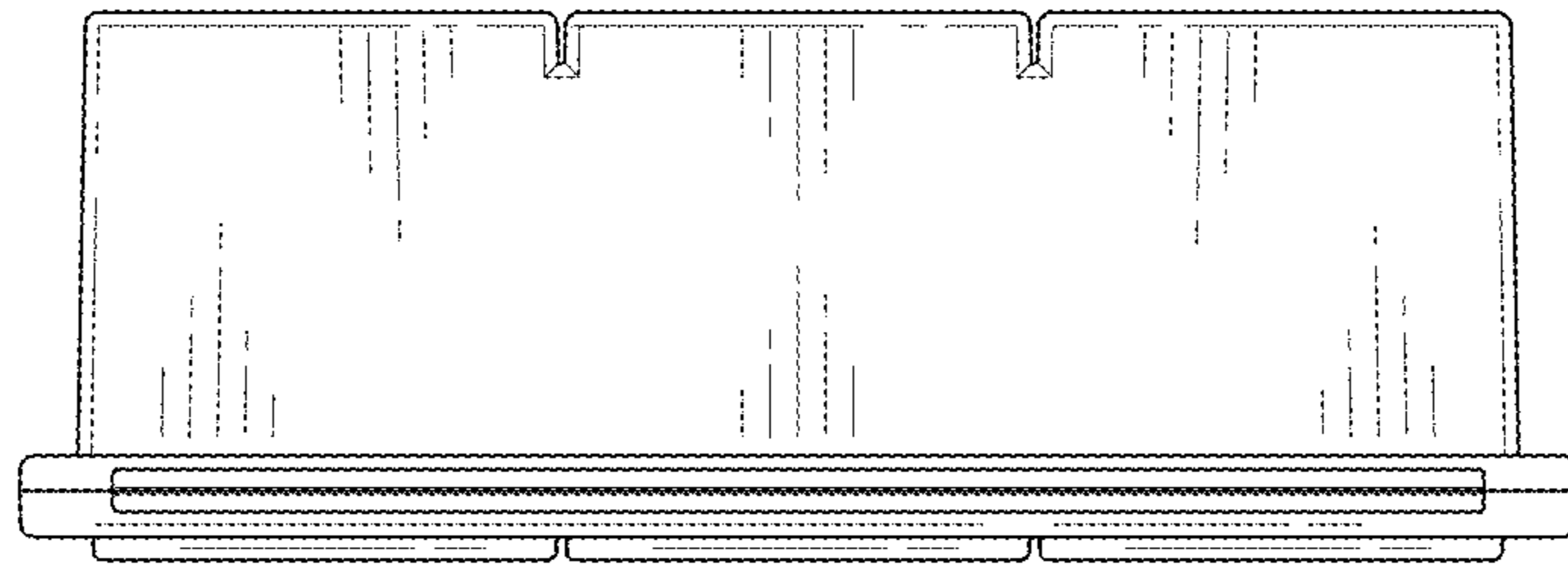


FIG. 11

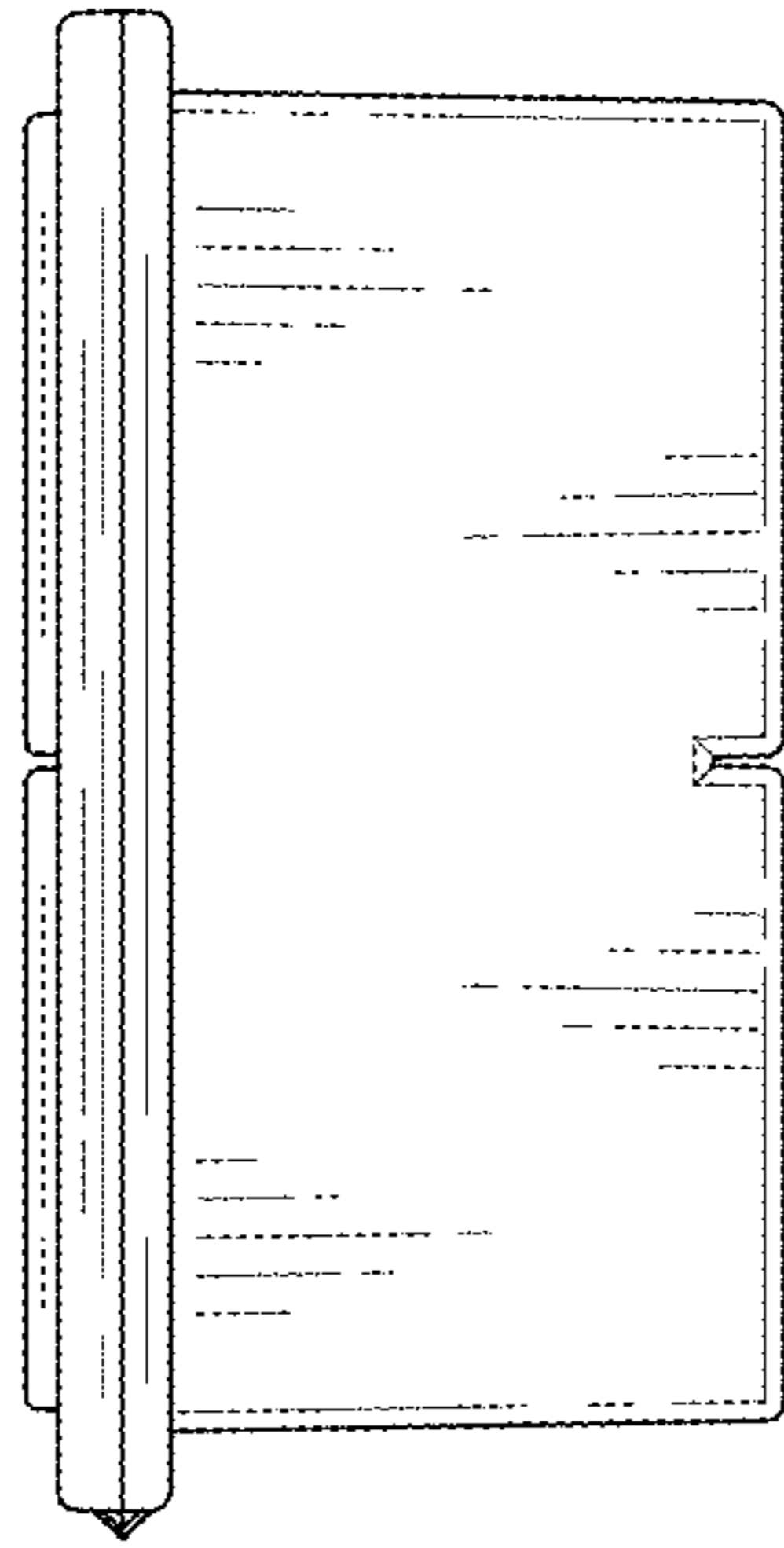


FIG. 12

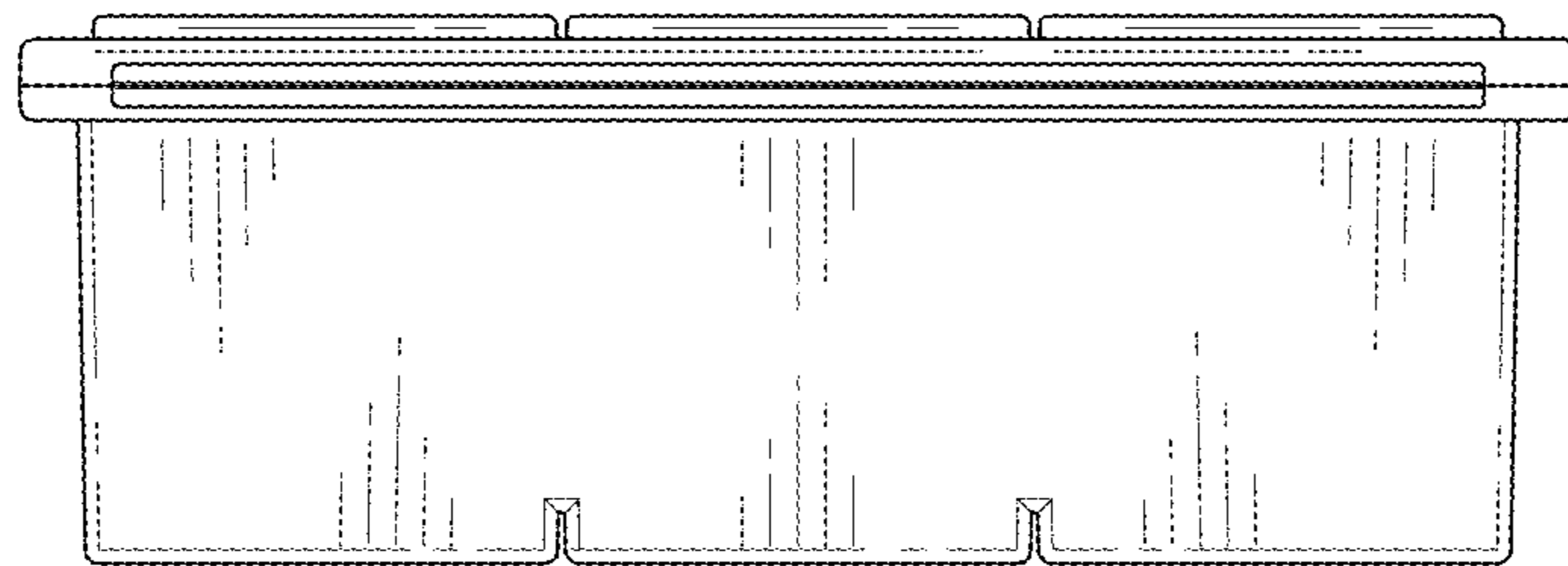


FIG. 13

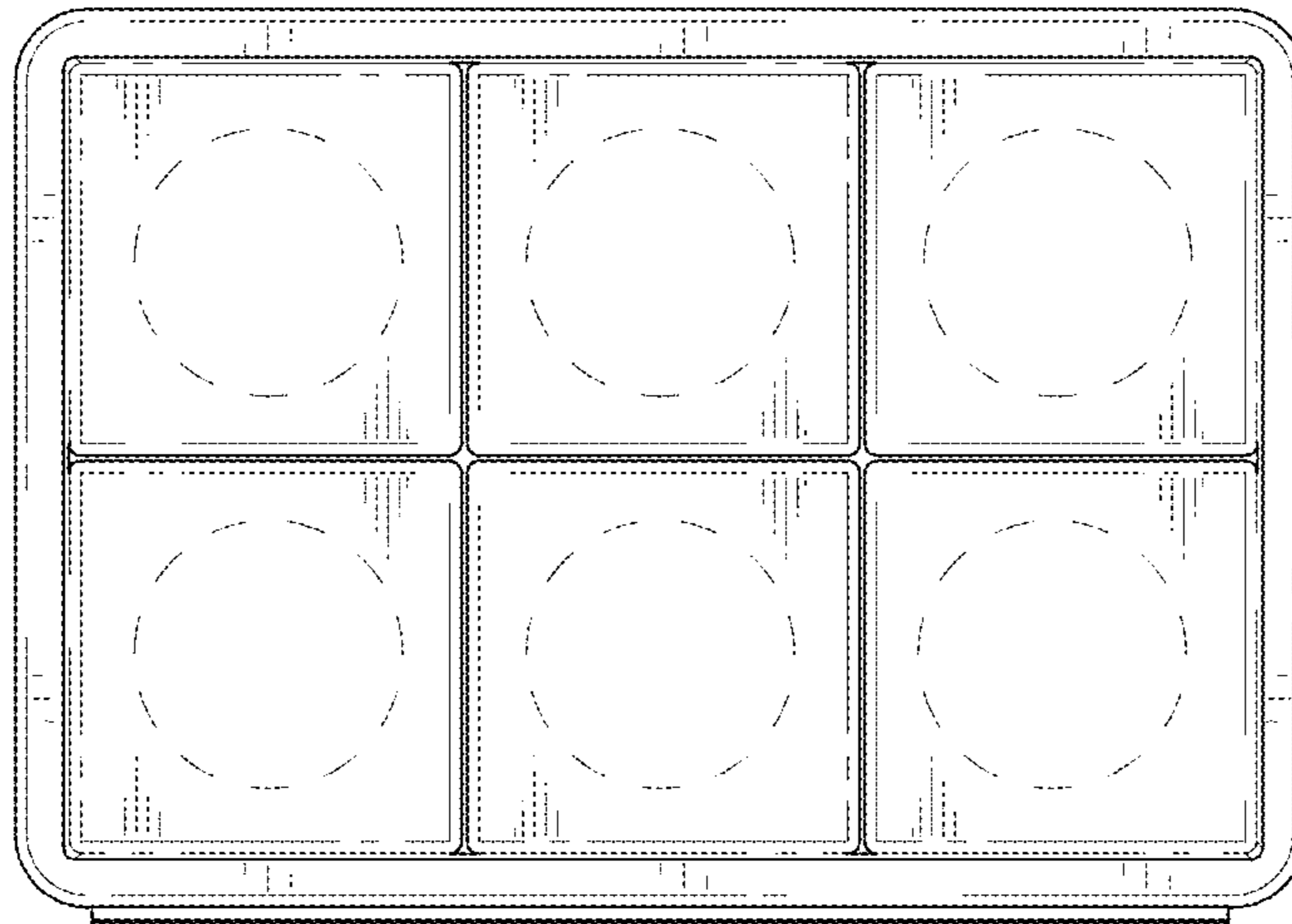


FIG. 14

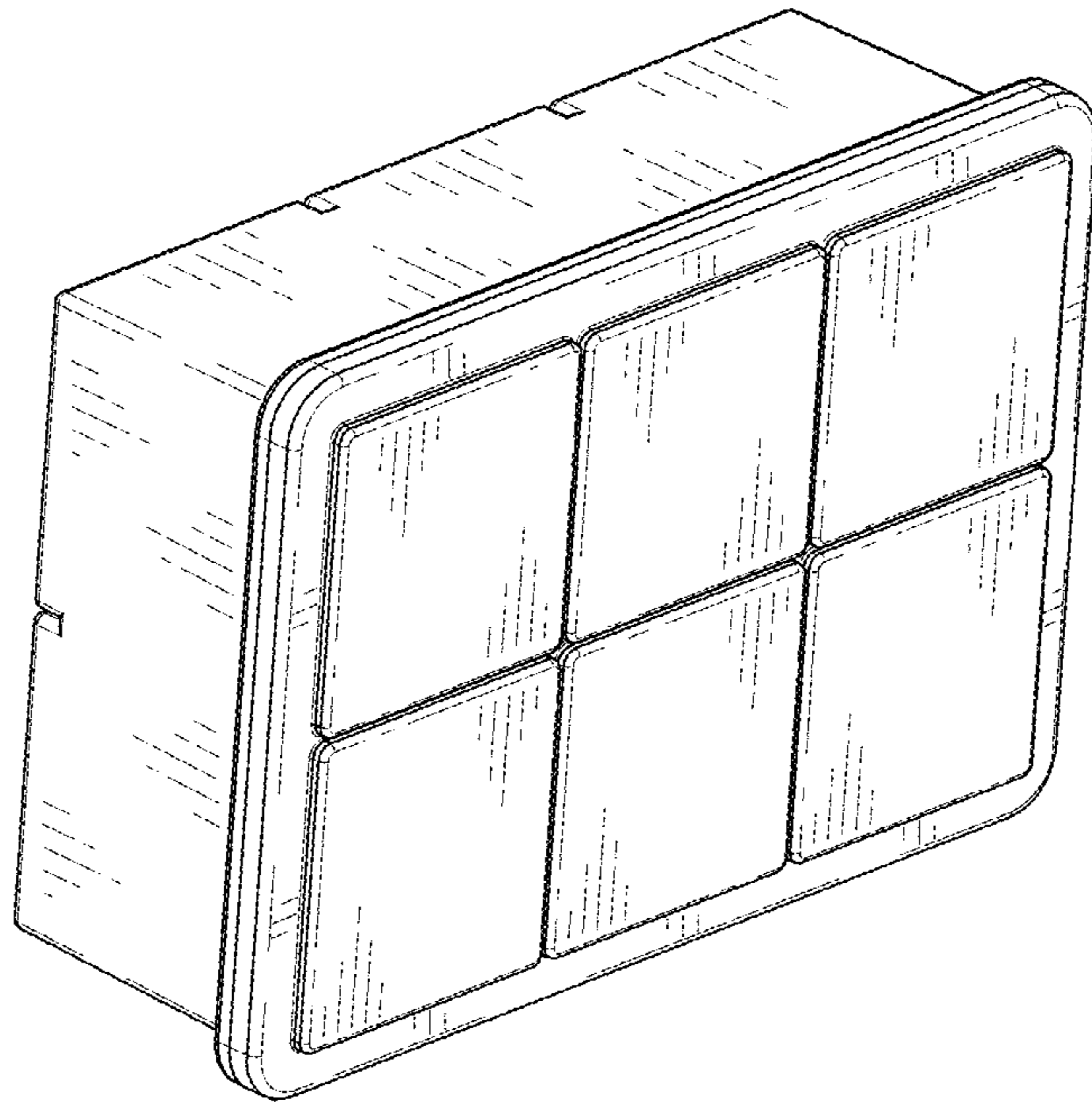


FIG. 15

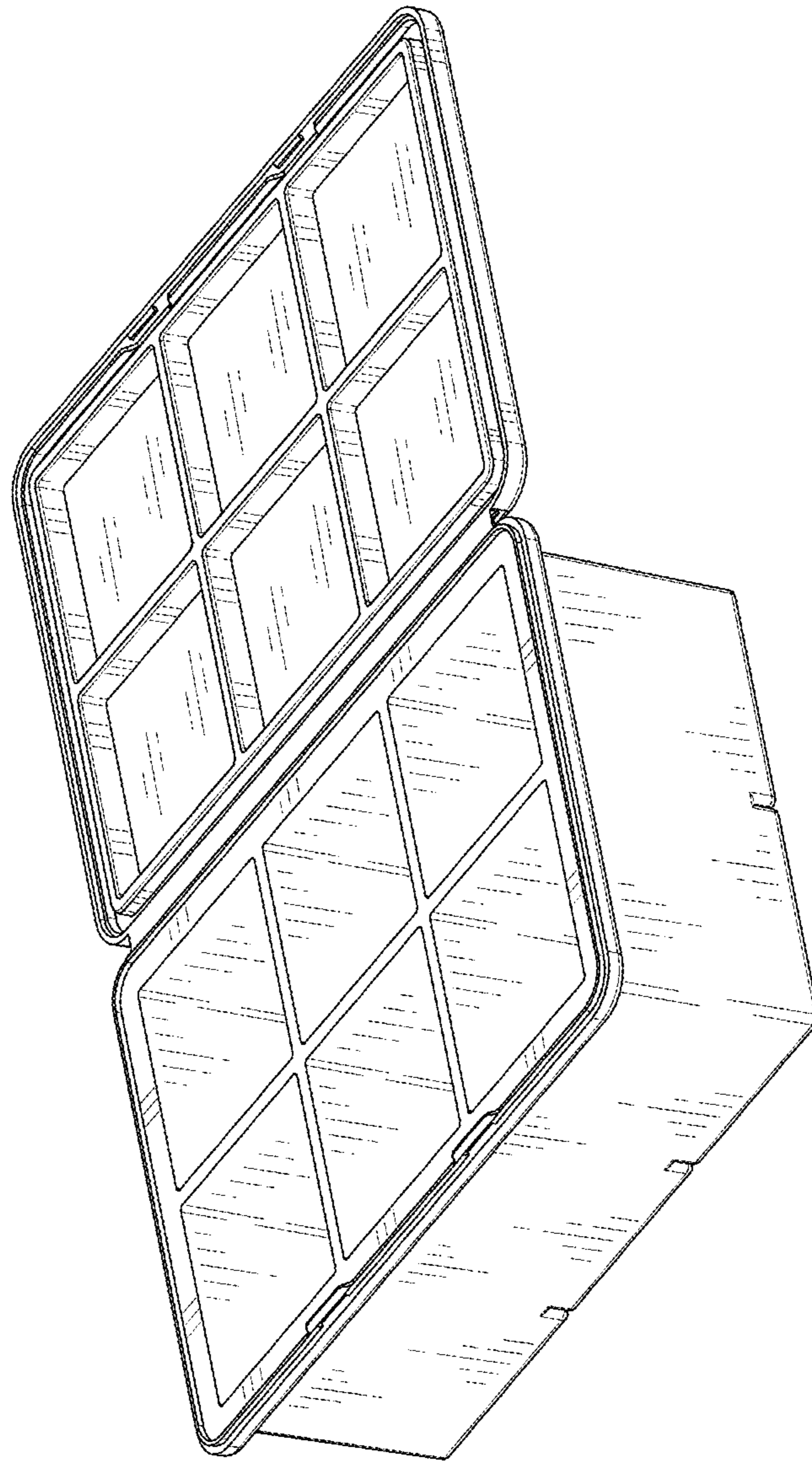


FIG. 16

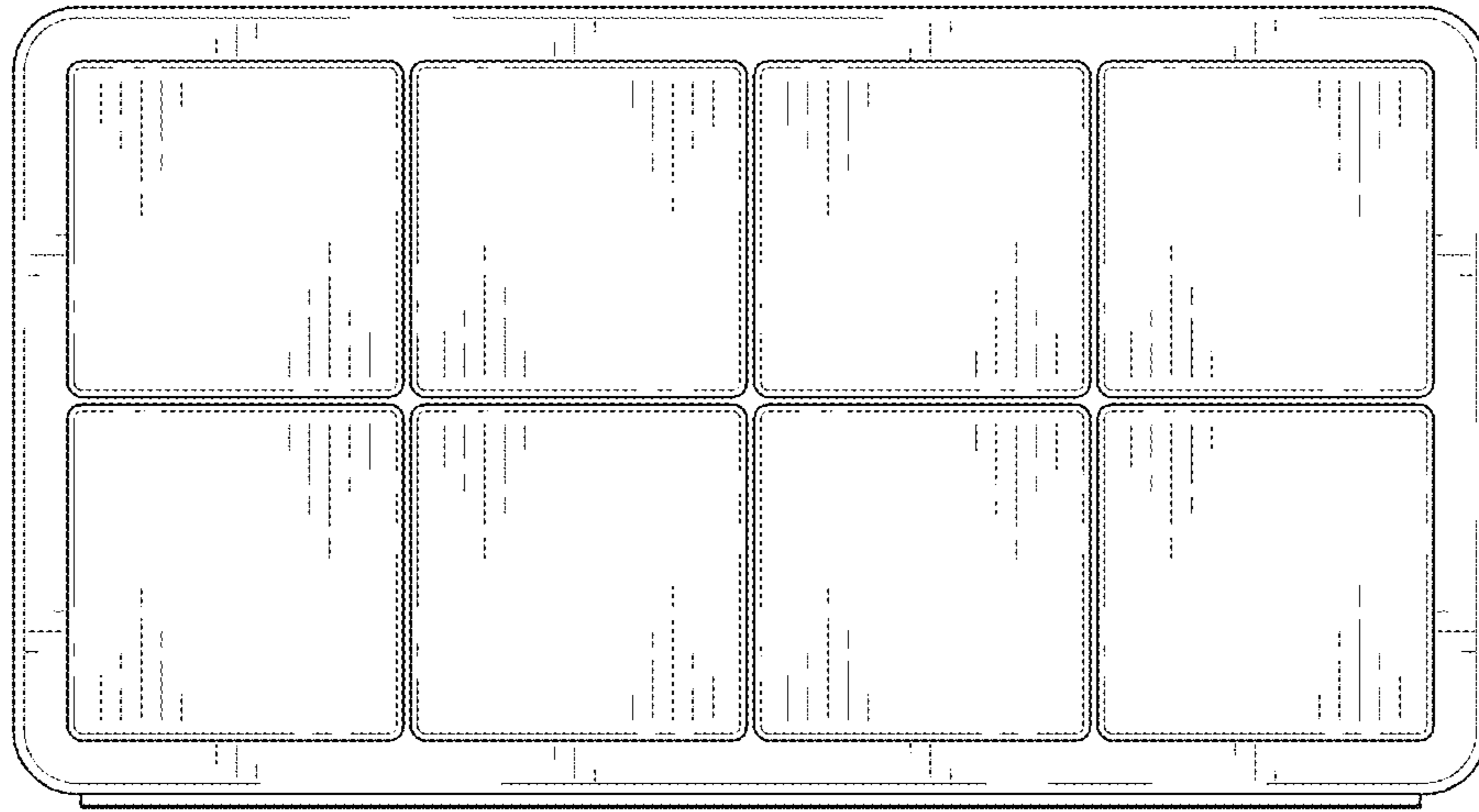


FIG. 17

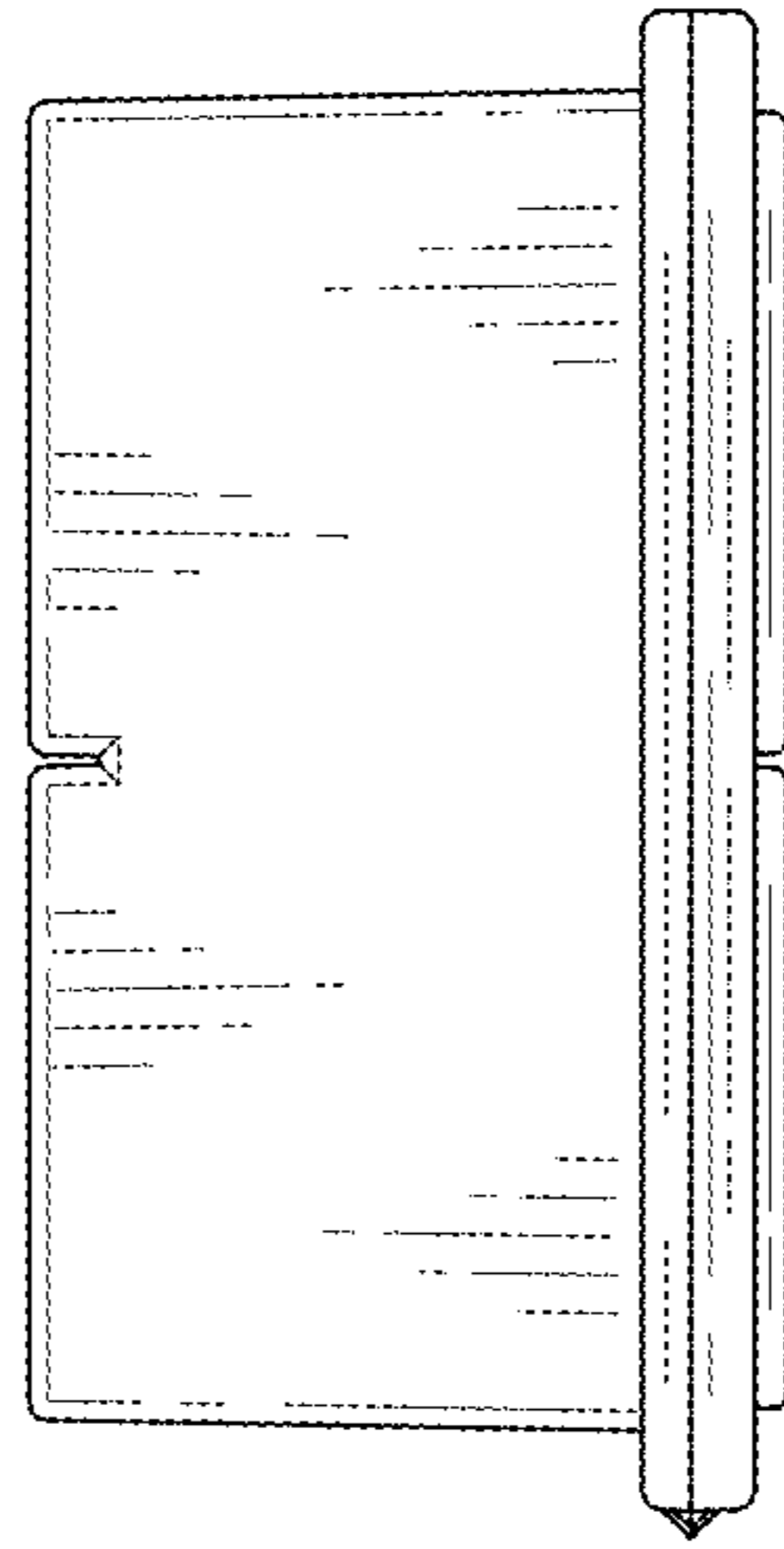


FIG. 18

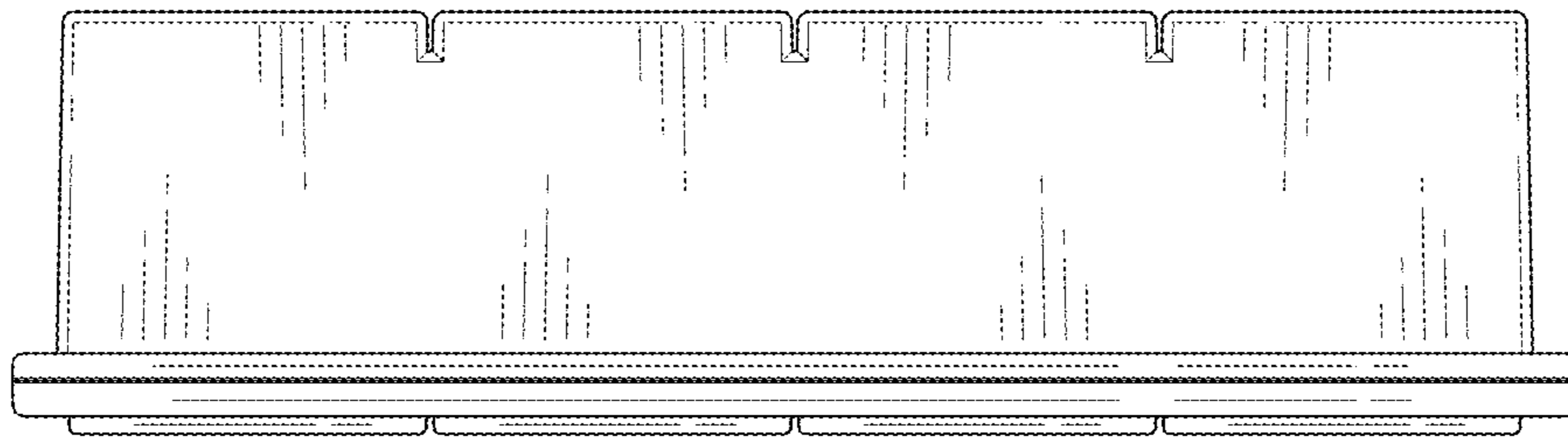


FIG. 19

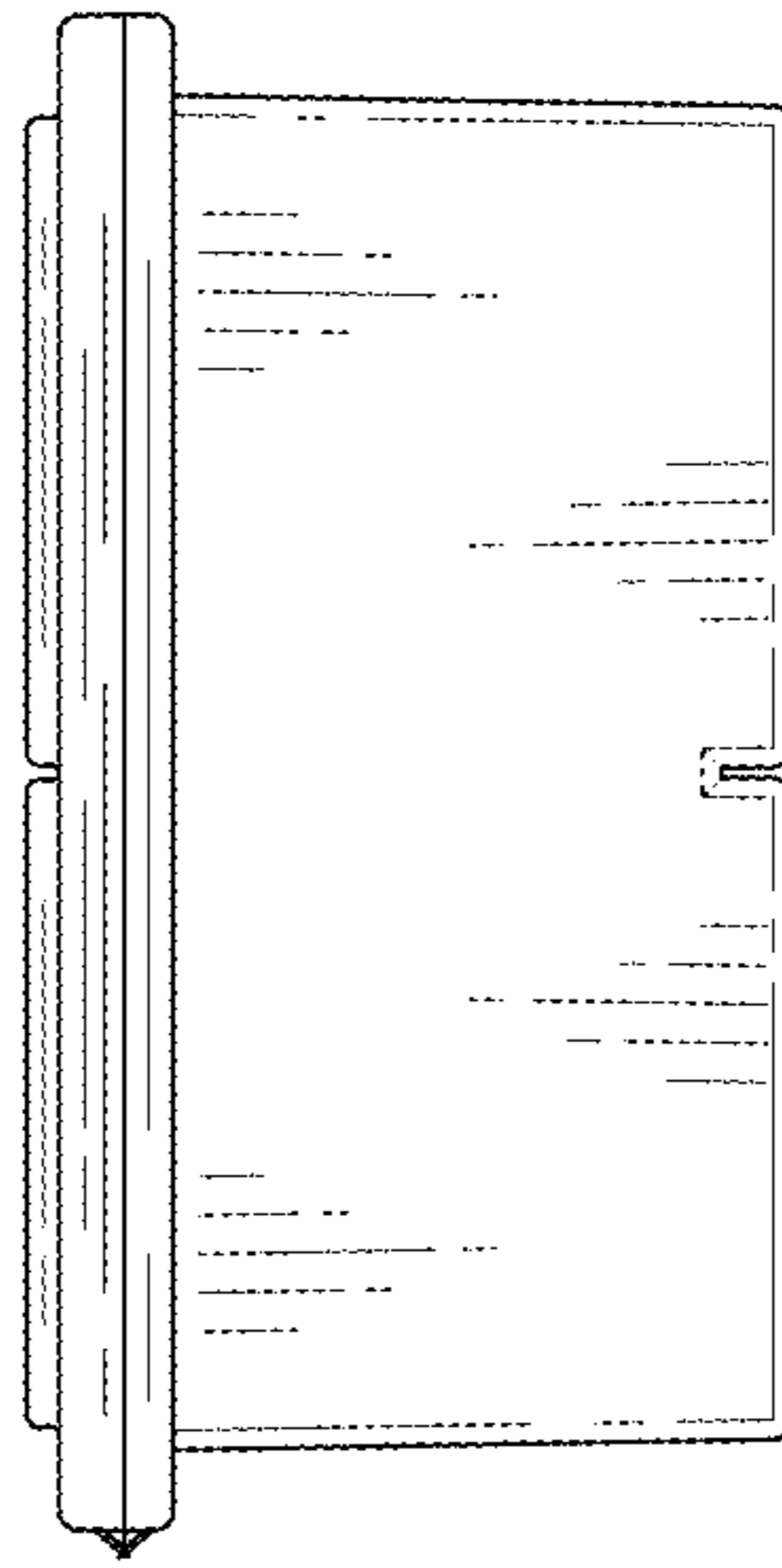


FIG. 20

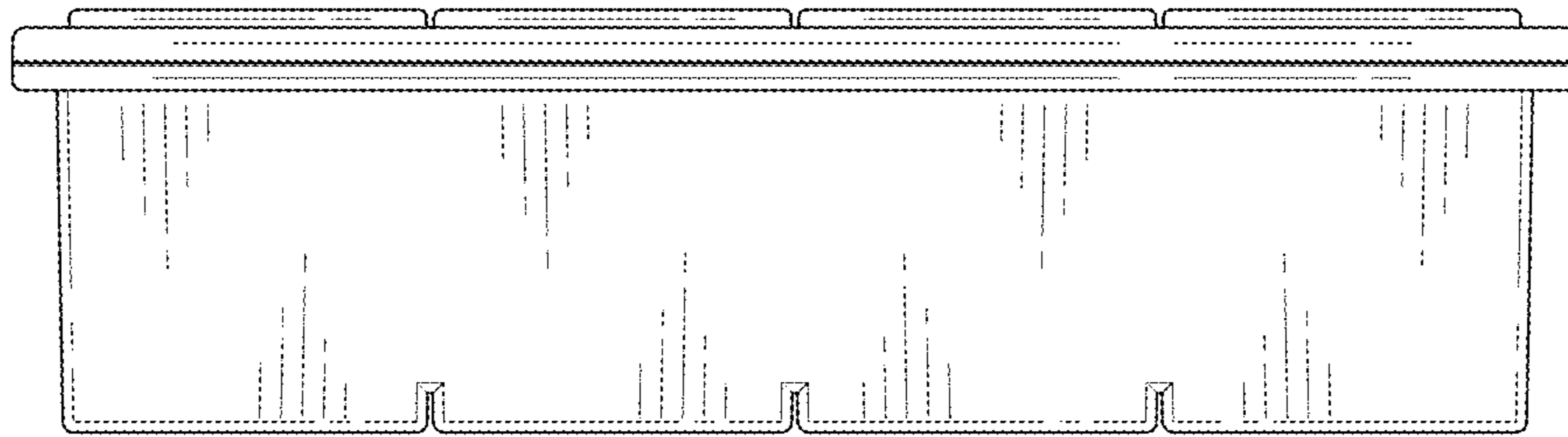


FIG. 21

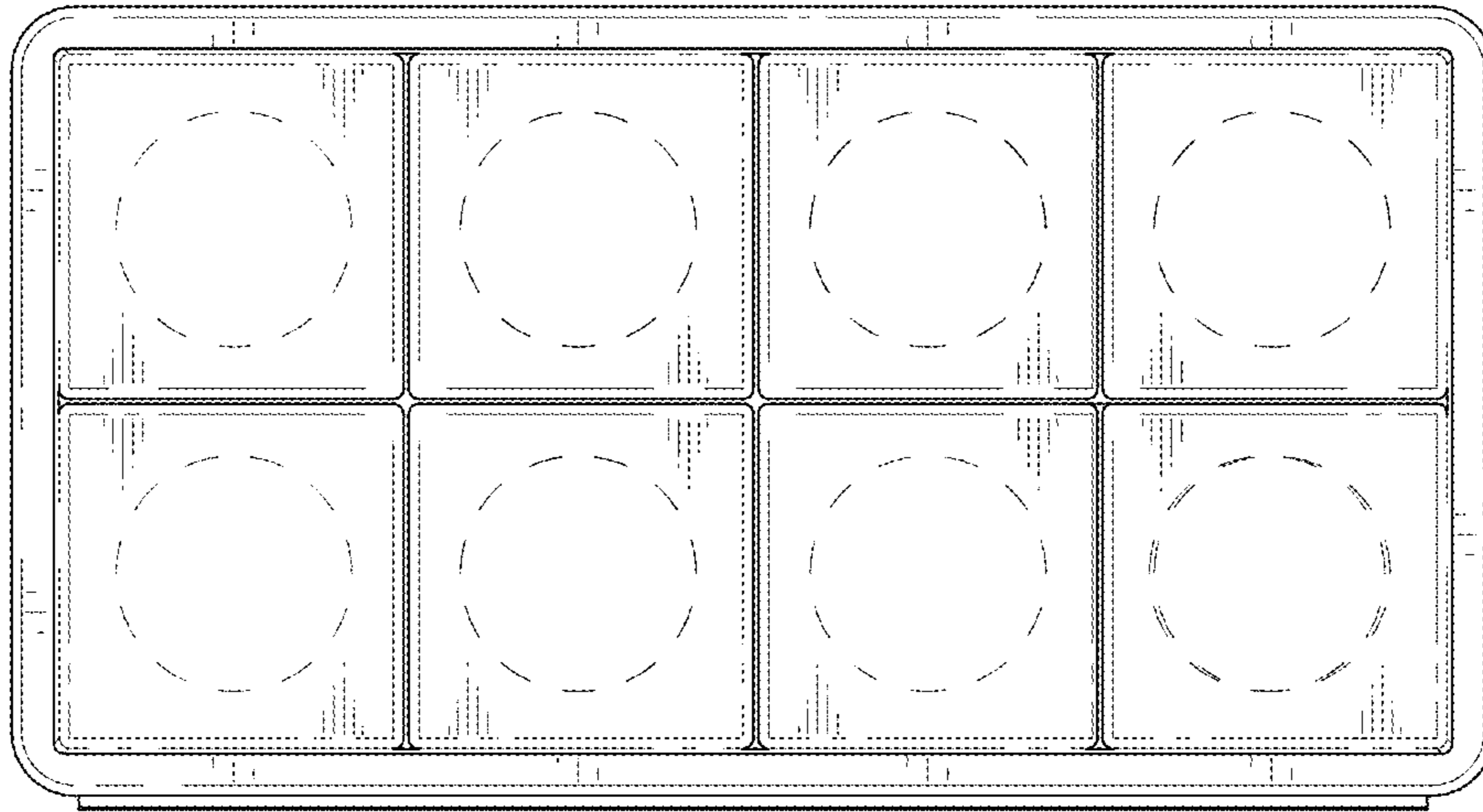


FIG. 22

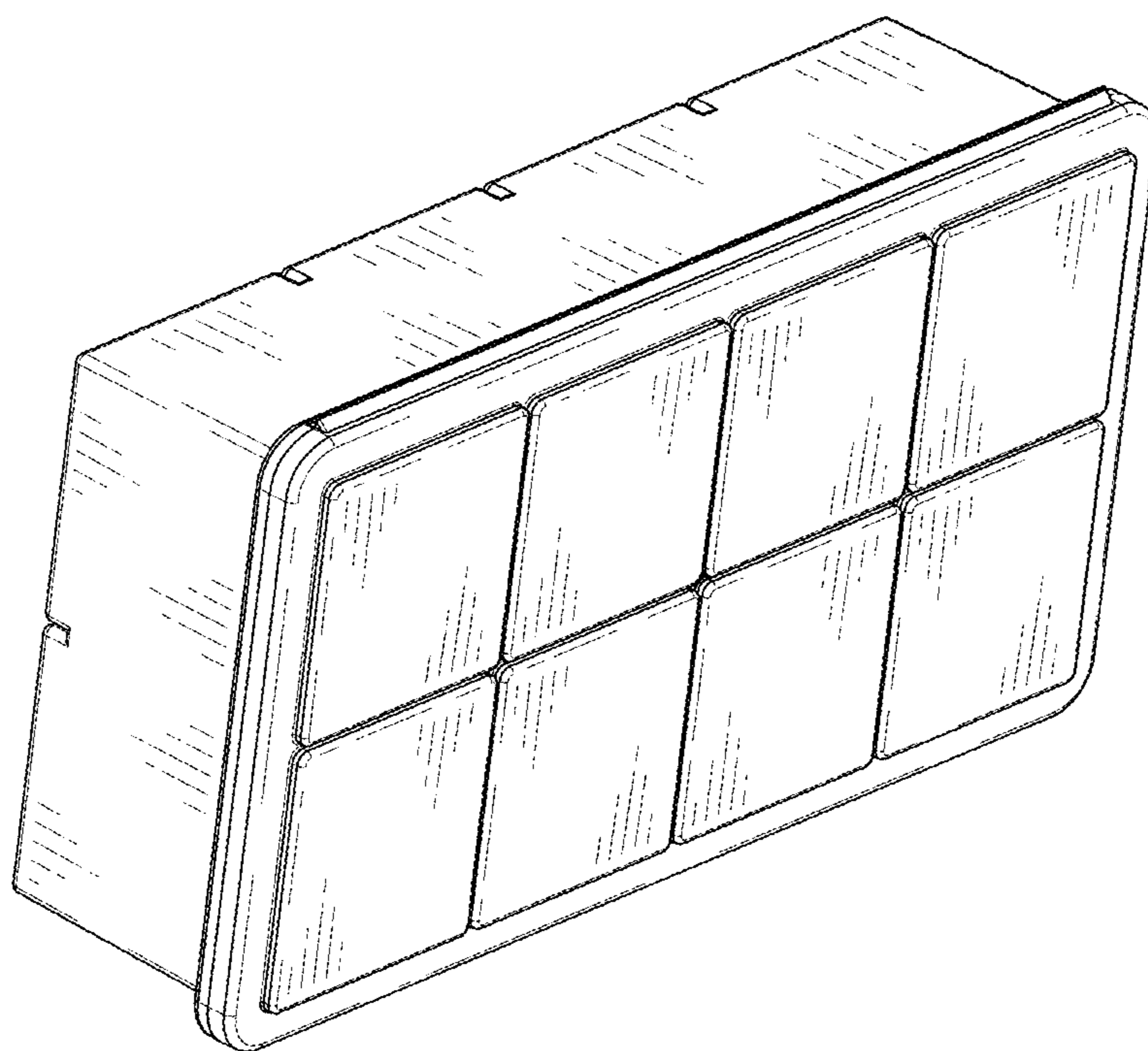


FIG. 23

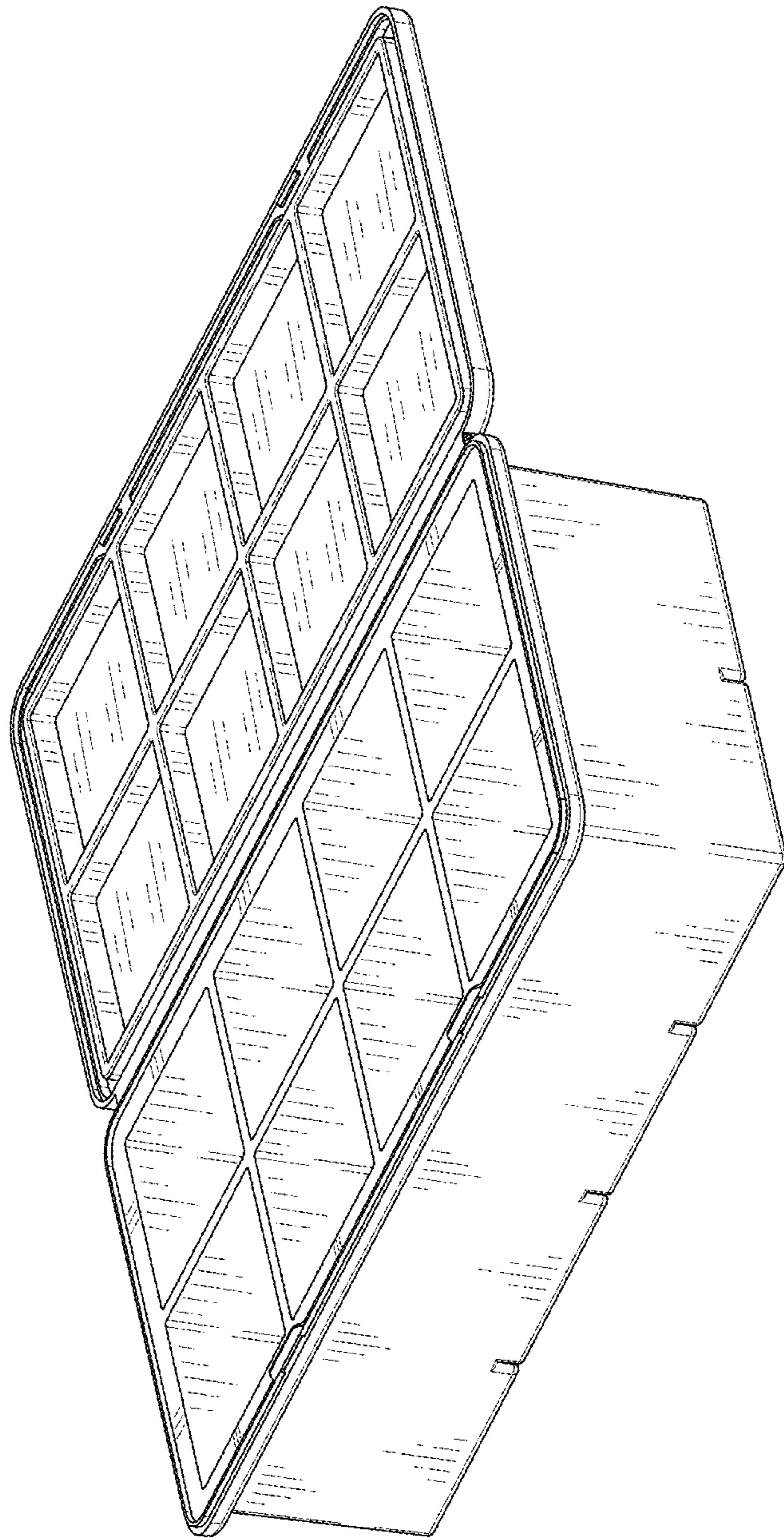


FIG. 24