



US00D942514S

(12) **United States Design Patent**
Kim et al.

(10) **Patent No.:** **US D942,514 S**

(45) **Date of Patent:** **** Feb. 1, 2022**

(54) **ICE CUBE TRAY**

(71) Applicants: **Min Suk Kim**, Jersey City, NJ (US);
Vincent Valderrama, Staten Island, NY (US)

(72) Inventors: **Min Suk Kim**, Jersey City, NJ (US);
Vincent Valderrama, Staten Island, NY (US)

(73) Assignee: **Helen of Troy Limited**, St. Michael (BB)

(**) Term: **15 Years**

(21) Appl. No.: **29/704,761**

(22) Filed: **Sep. 6, 2019**

(51) **LOC (13) Cl.** **15-07**

(52) **U.S. Cl.**
USPC **D15/90**

(58) **Field of Classification Search**
USPC D15/79-91
CPC .. F25C 5/002; F25C 5/005; F25C 5/12; F25C 1/04; F25C 2500/02; F25C 2500/08; F25C 2700/02; F25C 5/02; F25C 5/046; F25C 5/187
See application file for complete search history.

(56) **References Cited**

U.S. PATENT DOCUMENTS

2,955,044 A * 10/1960 Tupper F25D 3/08
426/515
D245,008 S * 7/1977 LaLonde D15/90

6,196,518 B1 3/2001 Garrido-Lecca et al.
D513,019 S * 12/2005 Lion D15/90
D560,695 S * 1/2008 Marchionda D15/90
D586,830 S * 2/2009 de Groote D15/90
D597,565 S * 8/2009 Lion D15/90
D636,412 S * 4/2011 Misse D15/90
D759,735 S * 6/2016 Tsai D15/90
D764,552 S 8/2016 Traub
D787,568 S * 5/2017 Davies D15/90
D910,090 S * 2/2021 Chen D15/90

* cited by examiner

Primary Examiner — Khawaja Anwar

(74) *Attorney, Agent, or Firm* — Rankin, Hill & Clark LLP

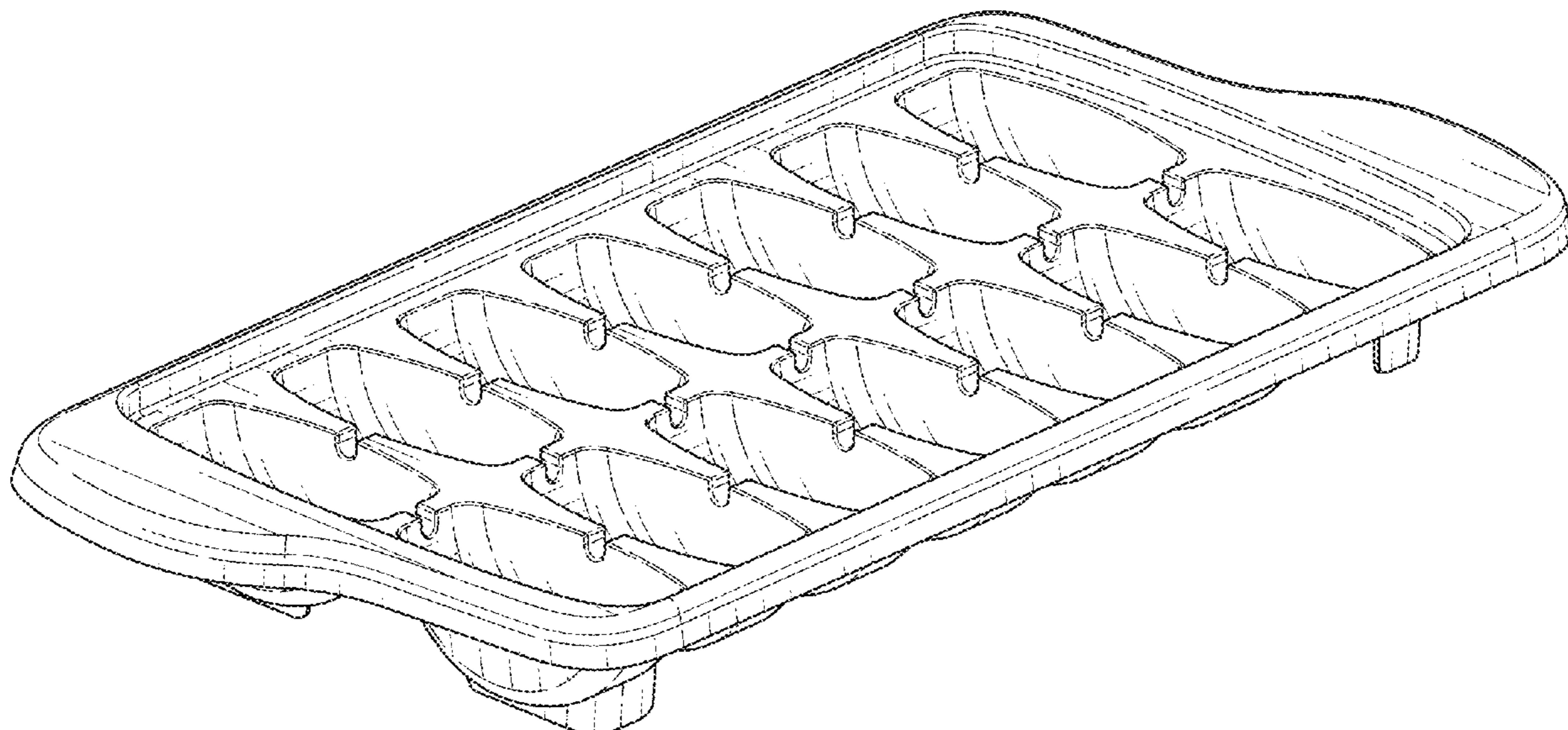
(57) **CLAIM**

The ornamental designs for an ice cube tray, as shown, and described.

DESCRIPTION

FIG. 1 is a perspective view of an ice cube tray;
FIG. 2 is a front view thereof;
FIG. 3 is a rear view thereof;
FIG. 4 is a right elevation view thereof;
FIG. 5 is a left elevation view thereof;
FIG. 6 is a top view thereof;
FIG. 7 is a bottom view thereof; and,
FIG. 8 is a perspective view thereof.
The broken lines represent an ice cube tray lid and form no part of the claimed design.

1 Claim, 6 Drawing Sheets



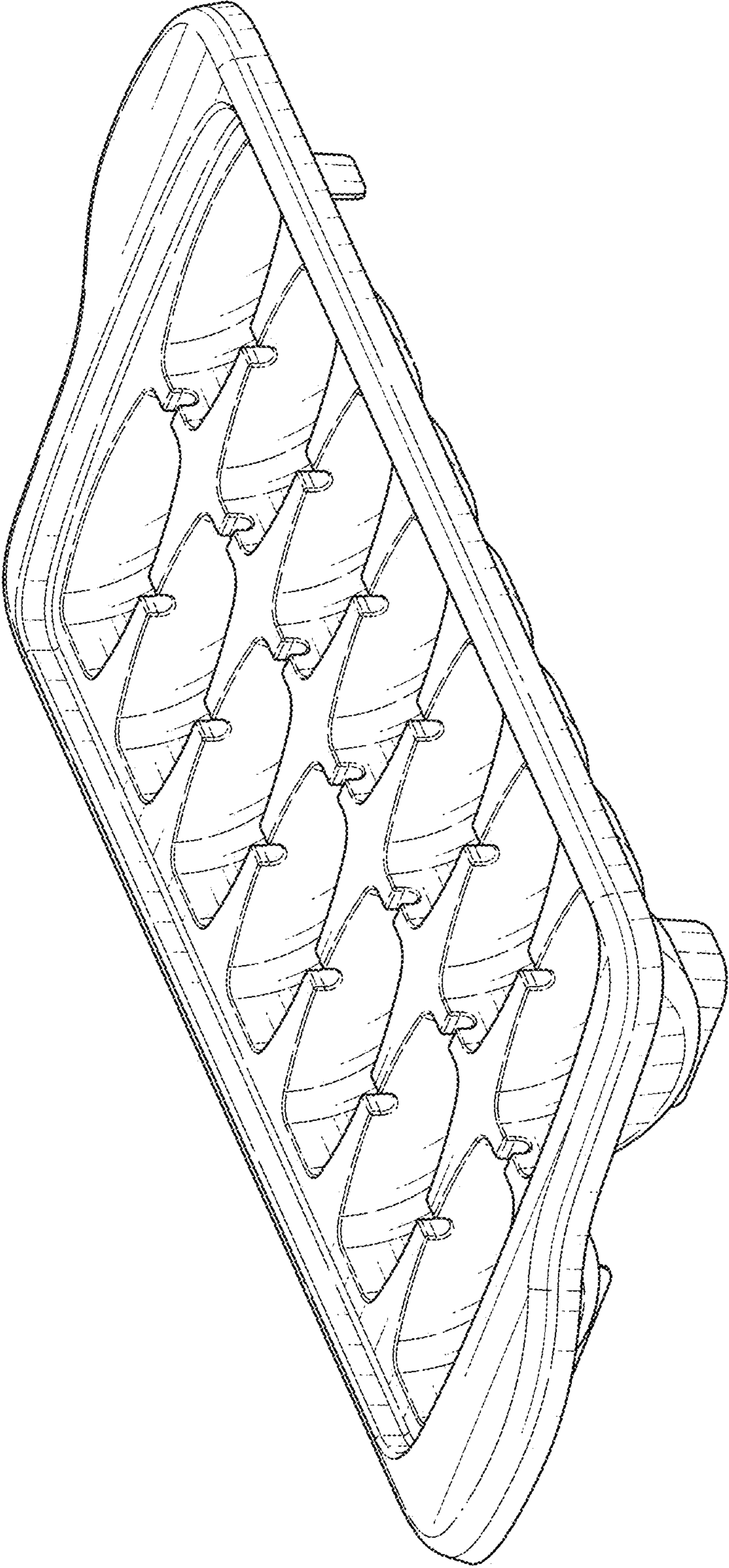


FIG. 1

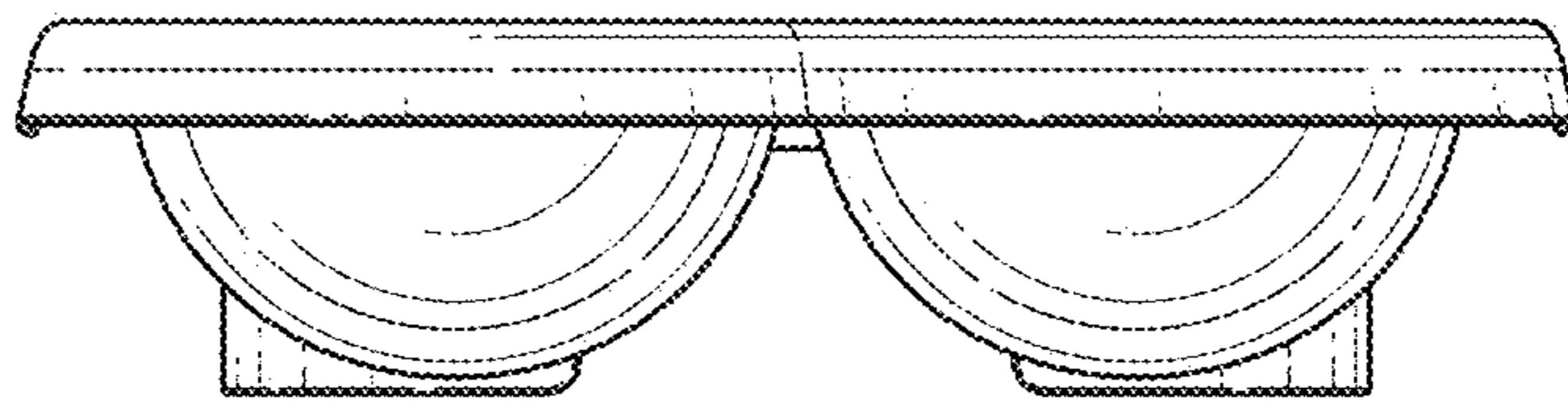


FIG. 2

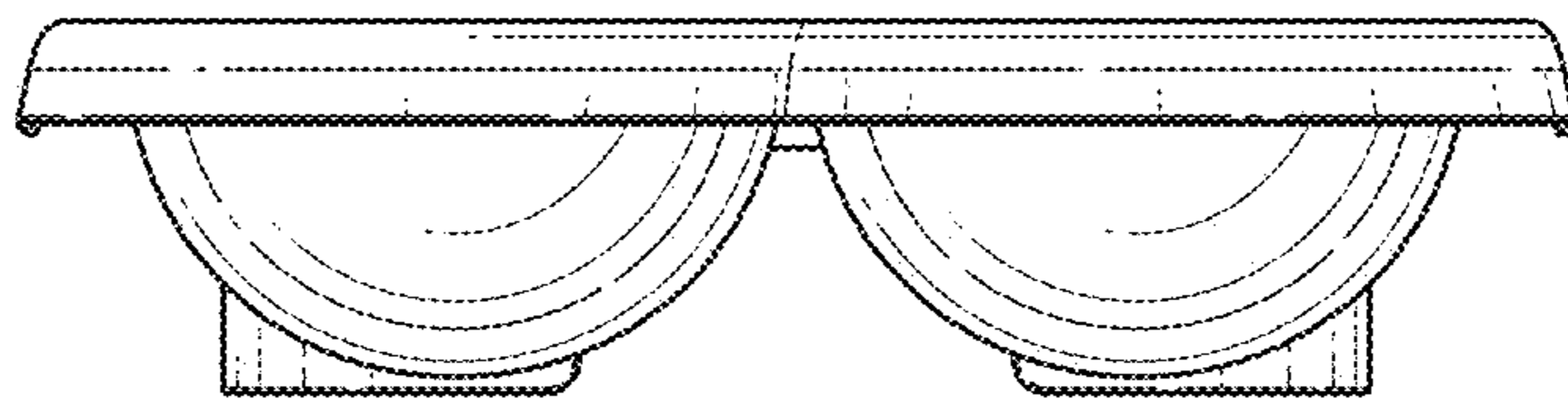


FIG. 3

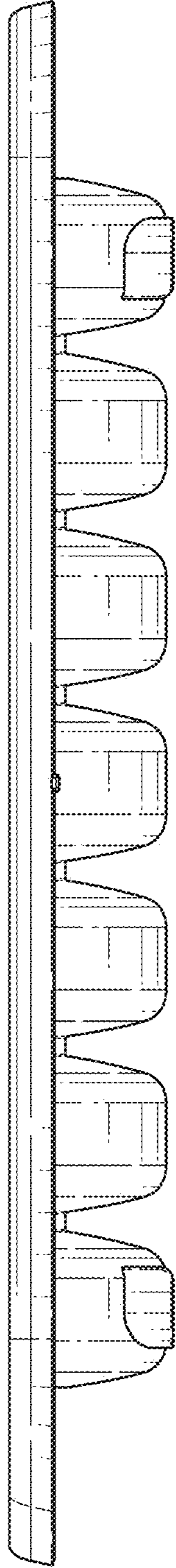


FIG. 4

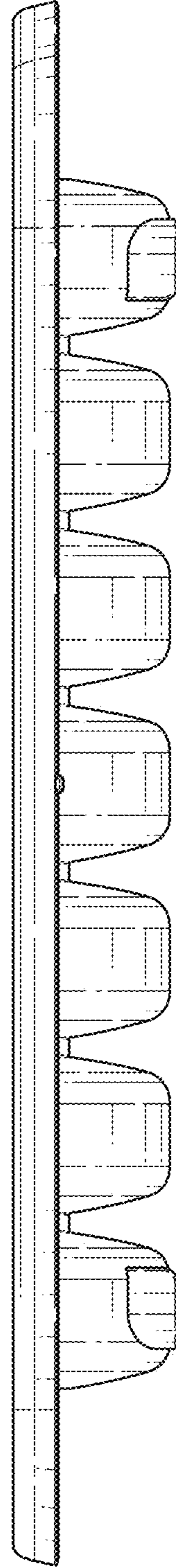


FIG. 5

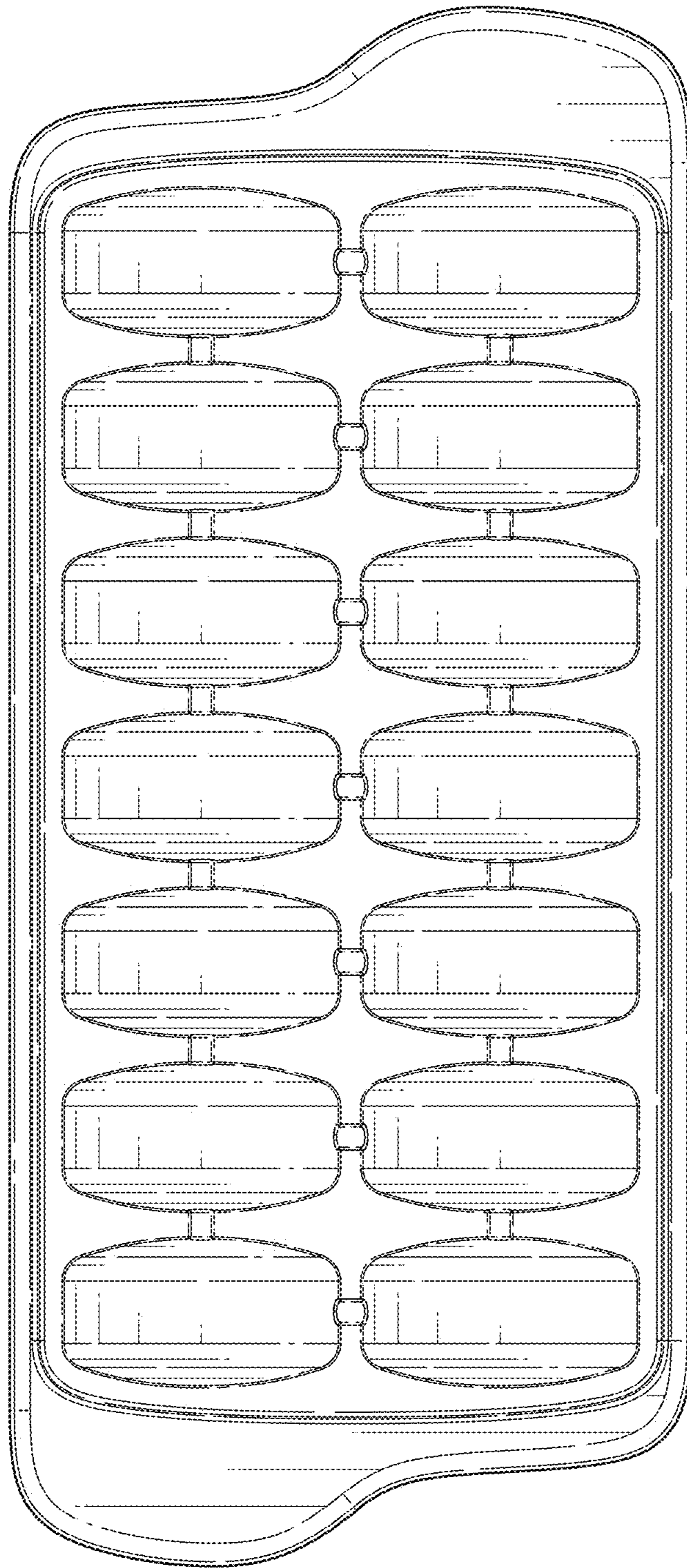


FIG. 6

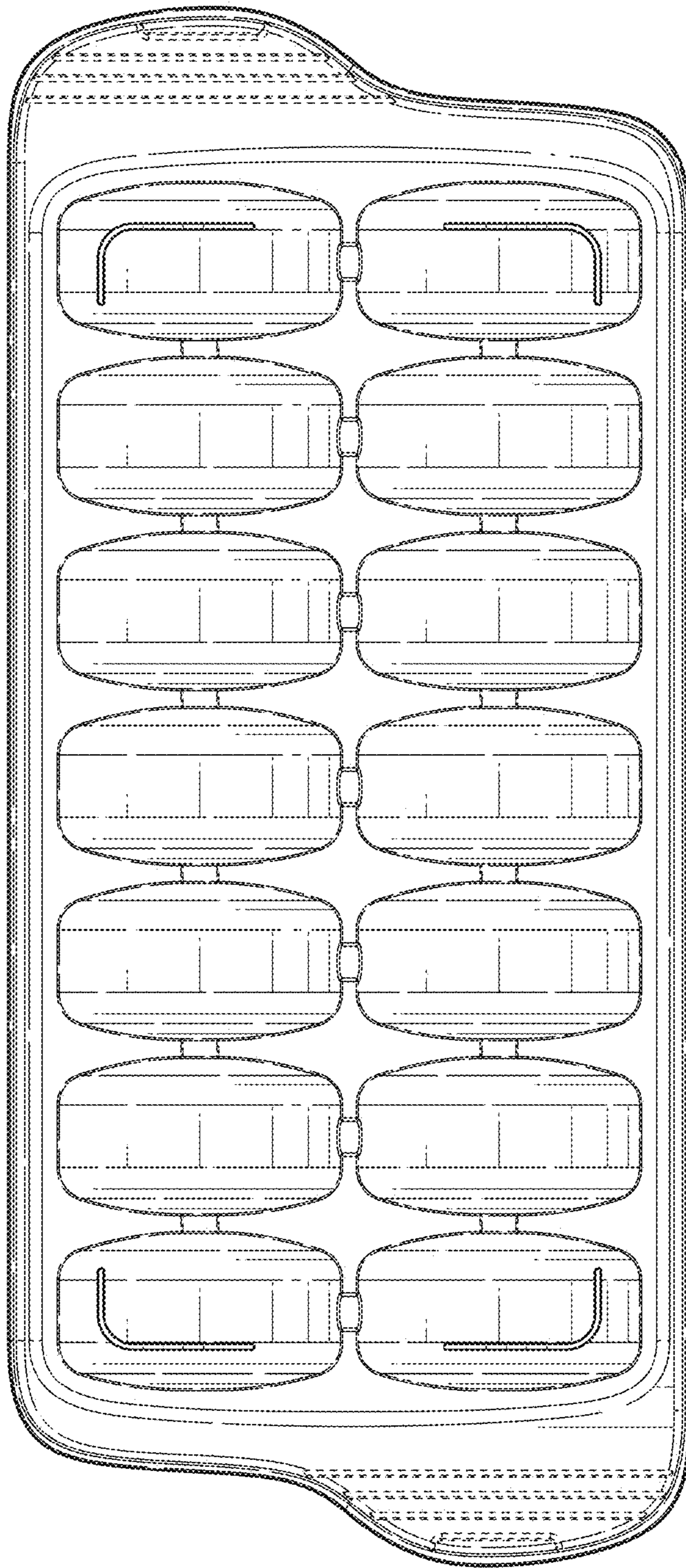


FIG. 7

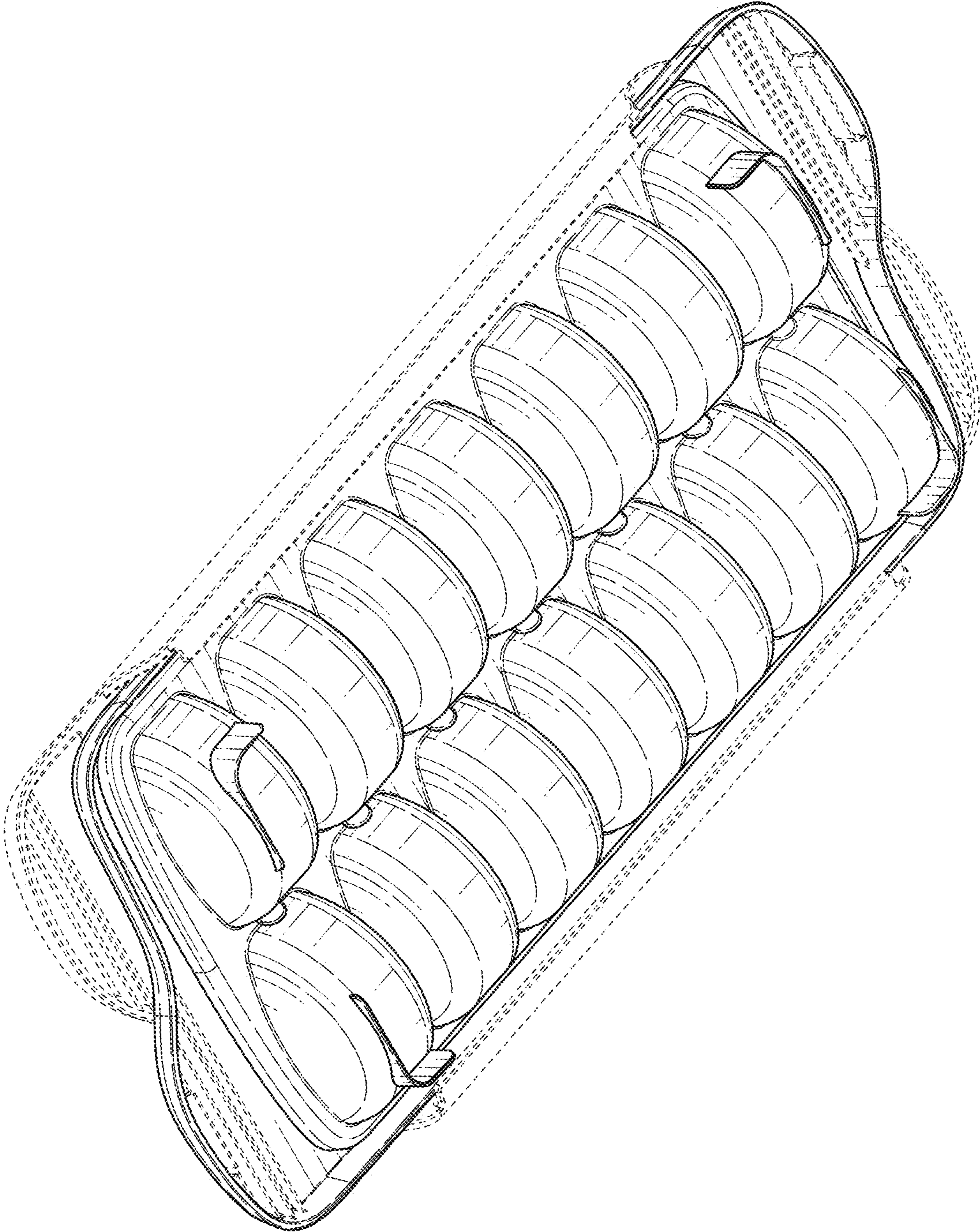


FIG. 8