



US00D942512S

(12) **United States Design Patent** (10) **Patent No.:** **US D942,512 S**  
**Garcia et al.** (45) **Date of Patent:** **\*\* Feb. 1, 2022**

(54) **PUMP PART**

FOREIGN PATENT DOCUMENTS

(71) Applicant: **Wayne/Scott Fetzer Company**,  
Westlake, OH (US)

CN 203548187 4/2014  
CN 201330537433 6/2014

(Continued)

(72) Inventors: **Michael Steven Garcia**, Harrison, OH (US); **Philip Anthony Mayleben**, Burlington, KY (US); **Nicholas Steven Hafele**, Cincinnati, OH (US)

OTHER PUBLICATIONS

Pasocreek, "Game Changer" Amazon review for Wayne WPCP250 Pool Cover Pump, (posted Oct. 21, 2021), Amazon.com, URL:<[https://www.amazon.com/gp/customer-reviews/R3IMZN6E5JFH7O?ref=va\\_cr\\_lb](https://www.amazon.com/gp/customer-reviews/R3IMZN6E5JFH7O?ref=va_cr_lb)> (Year: 2021).\*

(Continued)

(73) Assignee: **Wayne/Scott Fetzer Company**,  
Westlake, OH (US)

(\*\*) Term: **15 Years**

*Primary Examiner* — Calvin E Vansant  
*Assistant Examiner* — Mark T. Philipps

(21) Appl. No.: **29/752,976**

(74) *Attorney, Agent, or Firm* — Fitch, Even, Tabin & Flannery LLP

(22) Filed: **Sep. 29, 2020**

(51) **LOC (13) Cl.** ..... **15-02**

(52) **U.S. Cl.**  
USPC ..... **D15/7**

(58) **Field of Classification Search**  
USPC ..... D23/210; D15/7-9, 199  
CPC ..... F04D 15/0088; F04D 15/0066; F04D 15/0245; F04D 3/00; F04D 3/005; F04D 3/02; F04D 13/06; F04D 29/041; F04D 29/22; F04D 29/60; F04D 29/605; F04B 2203/0208; F04B 17/03; F04B 17/046; F04B 17/048; F04B 35/04; F04B 43/04; F04B 43/043

See application file for complete search history.

(57) **CLAIM**

We claim the ornamental design for pump part, as shown and described.

**DESCRIPTION**

FIG. 1 is a top perspective view of pump part in accordance with first embodiment of our new design illustrating a pump housing;  
FIG. 2 is a bottom perspective view of the pump part of FIG. 1;  
FIG. 3 is a front elevation view of the pump part of FIGS. 1-2;  
FIG. 4 is a rear elevation view of the pump part of FIGS. 1-3;  
FIG. 5 is a left-side elevation view of the pump part of FIGS. 1-4;  
FIG. 6 is a right-side elevation view of the pump part of FIGS. 1-5;  
FIG. 7 is a top view of the pump part of FIGS. 1-6; and, FIG. 8 is a bottom view of the pump part of FIGS. 1-7.  
The portions of the pump part shown in broken lines in the figures depict environmental subject matter only and form no part of the claimed design.

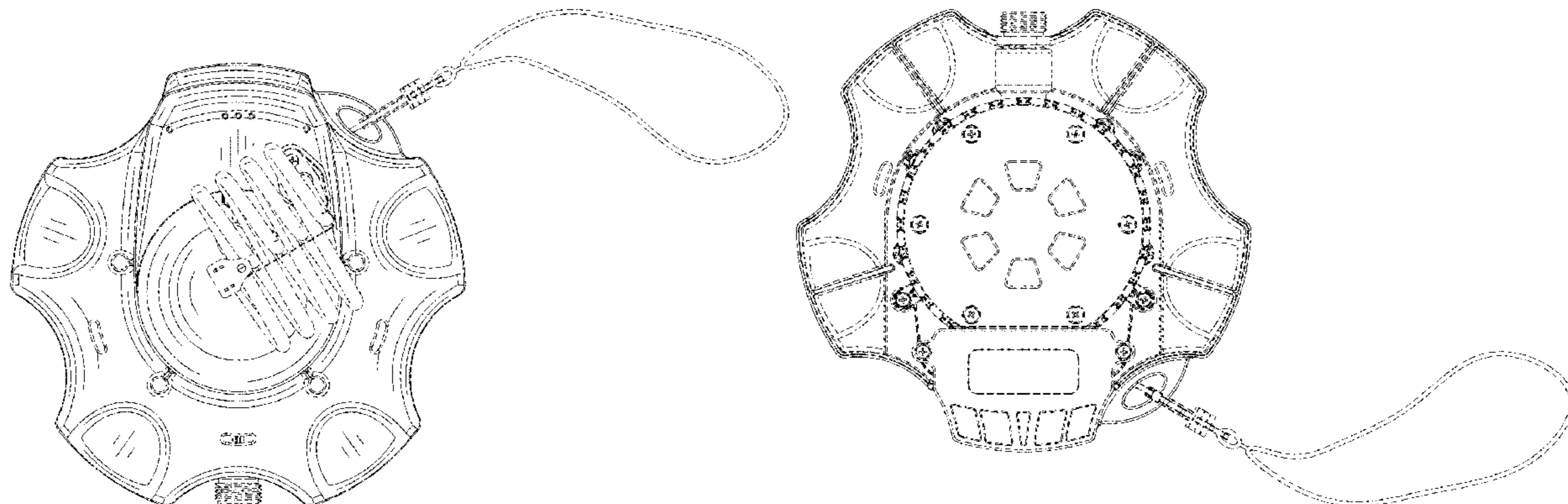
(56) **References Cited**

U.S. PATENT DOCUMENTS

2,333,243 A 11/1943 Glab  
2,553,066 A 5/1951 Southern  
2,863,525 A 12/1958 Lucian  
3,046,900 A 7/1962 Pollak

(Continued)

**1 Claim, 8 Drawing Sheets**



(56)

References Cited

U.S. PATENT DOCUMENTS

3,400,732 A 9/1968 Larrabee  
 3,667,870 A 6/1972 Yoshida  
 3,684,096 A 8/1972 Kretchman  
 3,822,967 A 7/1974 Cade  
 3,899,726 A 8/1975 Ellmore  
 D237,011 S 9/1975 Stroberg  
 3,936,240 A 2/1976 Dochterman  
 D243,281 S 2/1977 Pareja  
 D252,811 S 9/1979 Arakawa  
 4,482,300 A 11/1984 Brown  
 4,820,131 A 4/1989 Johnson  
 4,856,971 A 8/1989 Koble, Jr.  
 4,961,018 A 10/1990 Akhter  
 5,055,000 A 10/1991 Akhter  
 D328,304 S 7/1992 Frohn  
 5,131,821 A 7/1992 Marioni  
 D329,651 S 9/1992 Kuwada  
 5,145,322 A 9/1992 Senior, Jr.  
 5,145,337 A 9/1992 Kirkland  
 5,181,841 A 1/1993 Kirkland  
 5,205,725 A 4/1993 Pattison  
 D335,292 S 5/1993 Schnell  
 5,494,414 A 2/1996 Steinhart  
 5,525,039 A 6/1996 Sieghartner  
 D372,034 S 7/1996 Handzel  
 5,599,164 A 2/1997 Murray  
 D394,067 S 5/1998 Kon  
 5,819,848 A 10/1998 Rasmuson  
 5,833,437 A 11/1998 Kurth  
 5,997,261 A 12/1999 Kershaw  
 6,049,666 A 4/2000 Bennett  
 6,059,542 A 5/2000 Chou  
 6,149,390 A 11/2000 Fisher  
 6,375,430 B1 4/2002 Eckert  
 6,390,780 B1 5/2002 Batchelder  
 6,423,218 B1 7/2002 Lindermeir  
 6,443,715 B1 9/2002 Mayleben  
 6,464,531 B2 10/2002 Eckert  
 D466,527 S 12/2002 Graber  
 6,530,758 B1 3/2003 Ritter  
 6,575,714 B2 6/2003 Pace  
 6,676,382 B2 1/2004 Leighton  
 D492,324 S 6/2004 Stevens  
 D501,486 S 2/2005 Leone  
 6,954,948 B1 10/2005 Asack  
 D517,570 S 3/2006 Stiles, Jr.  
 7,153,418 B2 12/2006 Mauro, Sr.  
 7,220,355 B2 5/2007 Palmer  
 7,264,449 B1 9/2007 Harned  
 D555,089 S 11/2007 Lutz  
 D589,060 S 3/2009 Metcalfe  
 7,544,041 B2 6/2009 Mayleben  
 D602,501 S 10/2009 Ton  
 7,597,732 B2 10/2009 Yokota  
 D603,870 S 11/2009 Mehnert  
 D611,504 S 3/2010 Ton  
 D649,164 S 11/2011 Cook  
 D667,466 S 9/2012 Barmore  
 8,297,952 B2 10/2012 Wu  
 8,380,355 B2 2/2013 Mayleben  
 8,529,228 B1 9/2013 Thompson  
 D691,638 S 10/2013 Alexander  
 D693,371 S \* 11/2013 Orsini ..... D15/7  
 D698,368 S 1/2014 Le  
 8,633,623 B2 1/2014 Bingler  
 8,636,898 B2 1/2014 Perez  
 D700,213 S \* 2/2014 Taniguchi ..... D15/7  
 D706,834 S 6/2014 Nowicki  
 D707,718 S 6/2014 Gomez  
 8,794,936 B2 8/2014 Tokuo  
 D738,402 S 9/2015 Nelson  
 D739,919 S 9/2015 Alexander  
 D740,329 S \* 10/2015 Gilbert ..... D15/7  
 D744,003 S 11/2015 Ton  
 9,399,976 B2 7/2016 Ramamurthy

D769,332 S 10/2016 Varini  
 9,605,688 B2 3/2017 Perez  
 D788,932 S 6/2017 Ton  
 9,714,665 B2 7/2017 Saccoccio  
 9,768,662 B2 9/2017 Urata  
 9,810,241 B2 11/2017 Gell, III  
 D809,020 S \* 1/2018 Luke ..... D15/7  
 D809,021 S \* 1/2018 Luke ..... D15/7  
 D817,363 S 5/2018 Alexander  
 9,964,111 B2 5/2018 Yano  
 D823,345 S 7/2018 Wilds  
 D823,898 S 7/2018 Alexander  
 D836,675 S \* 12/2018 Luke ..... D15/7  
 D836,677 S 12/2018 Alexander  
 D848,487 S 5/2019 van Opdorp  
 D868,117 S 11/2019 Mayleben  
 D875,142 S 2/2020 Wilds  
 D886,871 S \* 6/2020 Wang ..... D15/7  
 D890,211 S 7/2020 Cooper  
 10,711,788 B2 7/2020 Mayleben  
 D893,552 S \* 8/2020 Mayleben ..... D15/7  
 10,760,586 B2 9/2020 Saccoccio  
 D910,719 S \* 2/2021 Cooper ..... D15/7  
 10,907,638 B2 \* 2/2021 Wilds ..... F04B 39/123  
 D914,060 S 3/2021 Cooper  
 10,969,149 B2 4/2021 Schulaks  
 D918,268 S 5/2021 Cooper  
 11,162,496 B2 11/2021 Mayleben  
 2003/0002996 A1 1/2003 Pace  
 2003/0091440 A1 5/2003 Patel  
 2003/0161732 A1 8/2003 Kimberlin  
 2004/0040707 A1 3/2004 Dusterhoft  
 2005/0201858 A1 9/2005 Wang  
 2005/0231899 A1 10/2005 Barnes  
 2006/0043015 A1 3/2006 Palmer  
 2006/0064954 A1 3/2006 Yokota  
 2006/0081520 A1 4/2006 Lord  
 2006/0083630 A1 4/2006 Chen  
 2006/0275162 A1 12/2006 Mayleben  
 2007/0086888 A1 \* 4/2007 Patel ..... F04D 29/588  
 415/177  
 2007/0175225 A1 8/2007 Bahat  
 2008/0199326 A1 8/2008 Masoudipour  
 2011/0123357 A1 5/2011 Leone  
 2013/0214895 A1 8/2013 Ullermann  
 2014/0166109 A1 6/2014 Takai  
 2014/0286747 A1 9/2014 Fang  
 2014/0341752 A1 11/2014 Gell, III  
 2015/0167673 A1 6/2015 Saccoccio  
 2015/0308425 A1 10/2015 Skotty  
 2016/0037987 A1 2/2016 Caro  
 2017/0030371 A1 2/2017 Wilds  
 2019/0048875 A1 2/2019 Mayleben  
 2019/0154061 A1 5/2019 Gilliland  
 2019/0309757 A1 10/2019 Rejniak  
 2021/0095694 A1 \* 4/2021 Garcia ..... F04D 13/08

FOREIGN PATENT DOCUMENTS

EM 000673363 2/2007  
 EM 000777123 8/2007  
 EM 001379309 7/2013  
 EM 001388441 10/2013  
 EM 0027086770002 5/2015  
 EM 0027086770004 5/2015  
 EP 1178212 2/2002  
 EP 1241357 9/2002  
 EP 3058800 A1 8/2016  
 GB 1320841 A 6/1973  
 RU 2489784 7/2013  
 RU 166537 11/2016  
 WO 0017521 3/2000  
 WO 200613777 12/2006



(56)

**References Cited**

## FOREIGN PATENT DOCUMENTS

WO	2011137425	11/2011
WO	2012037991	3/2012

## OTHER PUBLICATIONS

amazon.com, Apple MFi Certified Lightning to USB Cable, Built-in LED in Lightning Connector, Heavy Duty Charge & Sync Cable, showing a product that was on sale or publicly disclosed more than a year before the filing date of the instant application, 13 pp.

Blue Angel Pump Company, Blue Angel Catalog, 2018, 34 pp.

Blue Angel Pump Company, Blue Angel Catalog, Oct. 2015, 39 pp.

Patent Cooperation Treaty, International Searching Authority, Notification of Transmittal of the International Search Report and the Written Opinion of the International Searching Authority, or the Declaration issued in International Application No. PCT/US2018/046604, dated Nov. 29, 2018, 11 pp.

Wayne Water Systems, Wayne Catalog, Oct. 2014, 52 pp.

Wayne/Scott Fetzer Company, Operating Instructions and Replacement Parts List, Submersible Utility Pumps VIP Series, that discloses a pump that was on sale or publicly disclosed more than 1 year before the filing date of the instant application, 2011, 12 pp.

Wayne/Scott Fetzer Company, Watering & System Installation Guide, Dewatering Pump TSC, that discloses a pump that was on sale or publicly disclosed more than 1 year before the filing date of the instant application, 2016, 11 pp.

Wikipedia, Redundancy (engineering), 2016.

Wayne Water Systems, Wayne TSC Submersible Utility Pump Operating Instructions and Parts Manual, Jan. 2000, pp. 1-4, 2 pp.

Wayne Water Systems, Wayne TSC130/250 Submersible Utility Pump Operating Instructions and Parts Manual, Nov. 1999, pp. 1-4, 2 pp.

Wayne/Scott Fetzer Company, Wayne TSC130 Dewatering Pump Operating Instructions and Parts Manual, May 20, 2016, pp. 1-8, 8 pp.

Wayne/Scott Fetzer Company, Wayne TSC160 Dewatering Pump Warranty & System Installation Guide, May 20, 2016, pp. 1-11, 11 pp.

\* cited by examiner

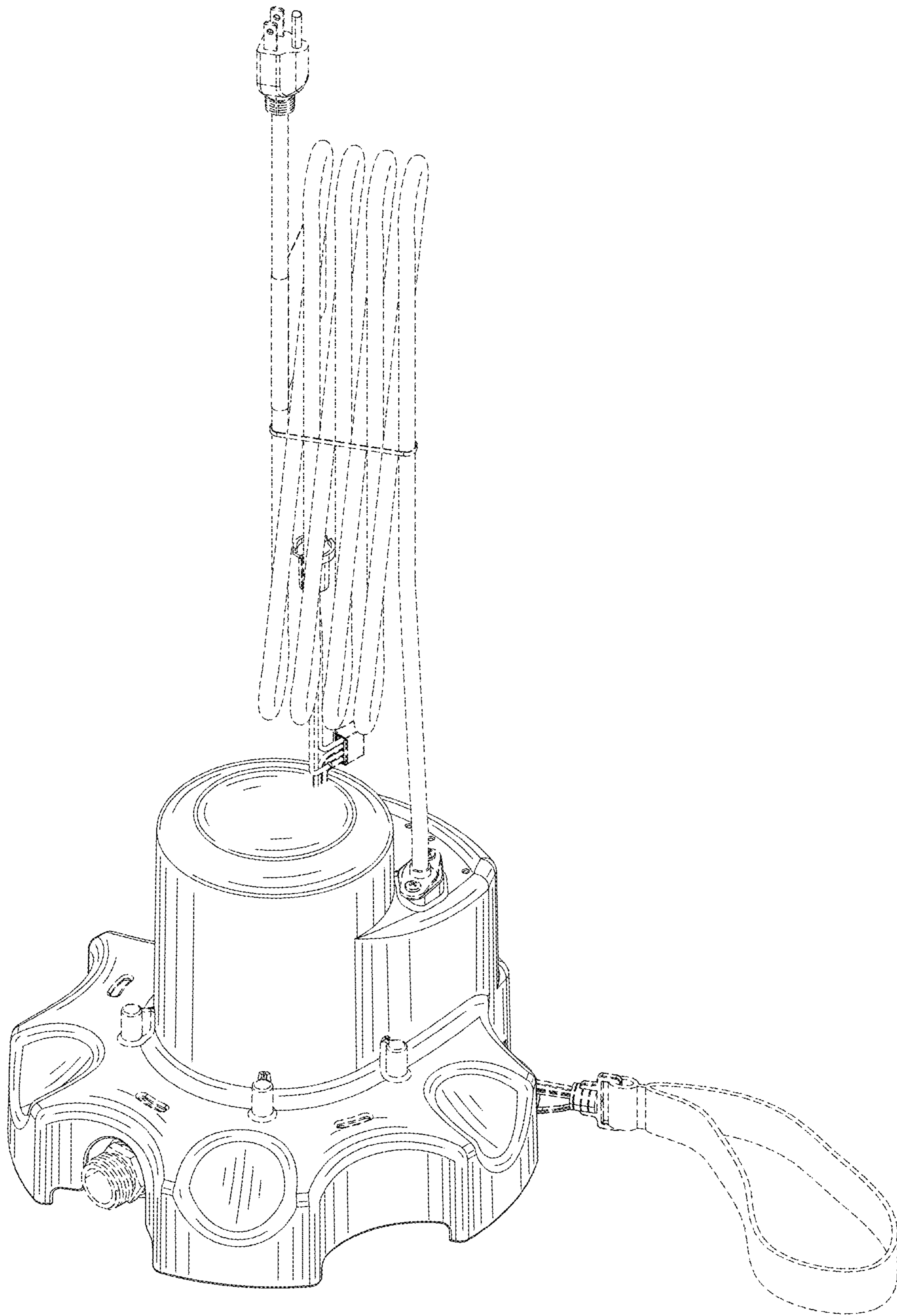


FIG. 1

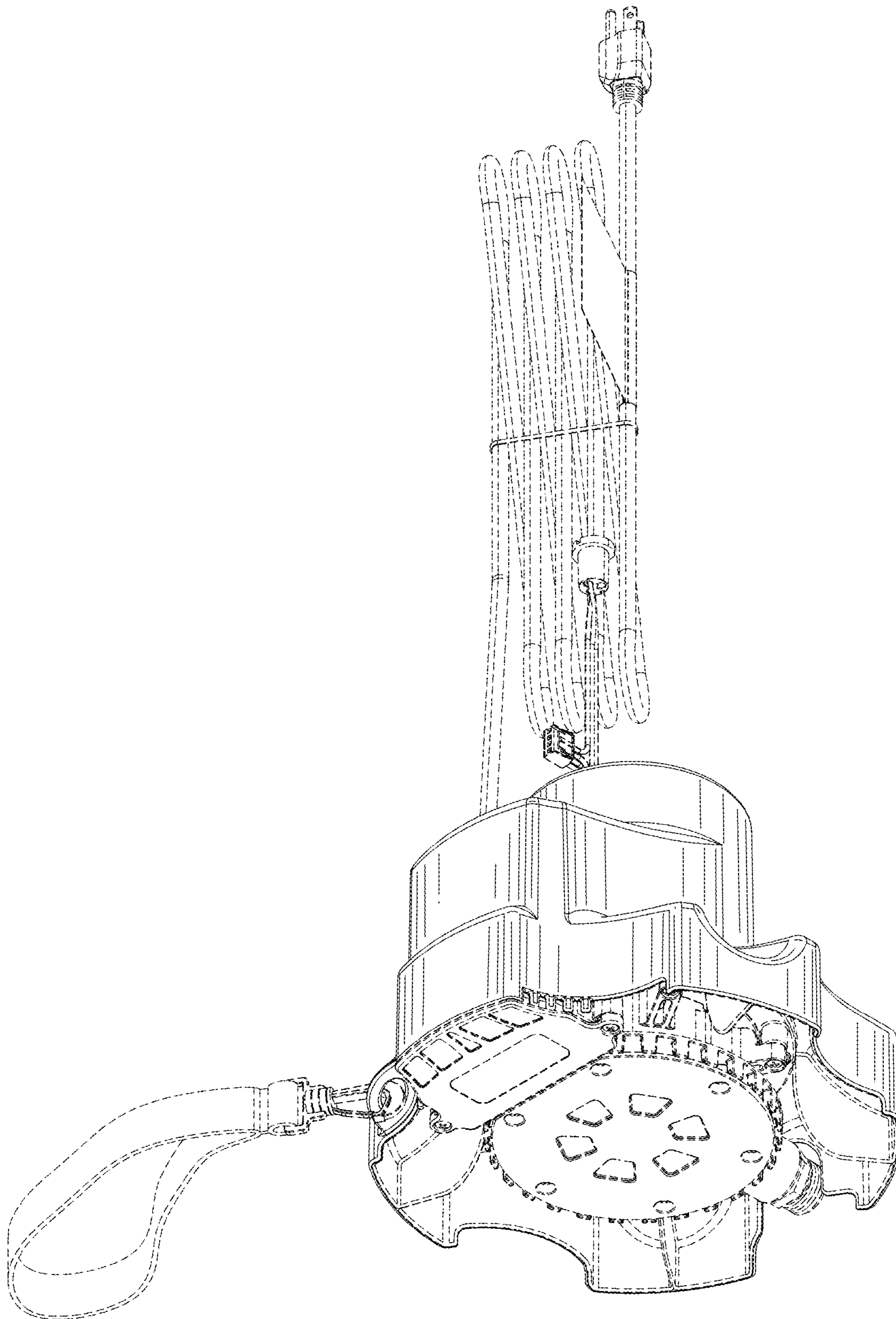


FIG. 2

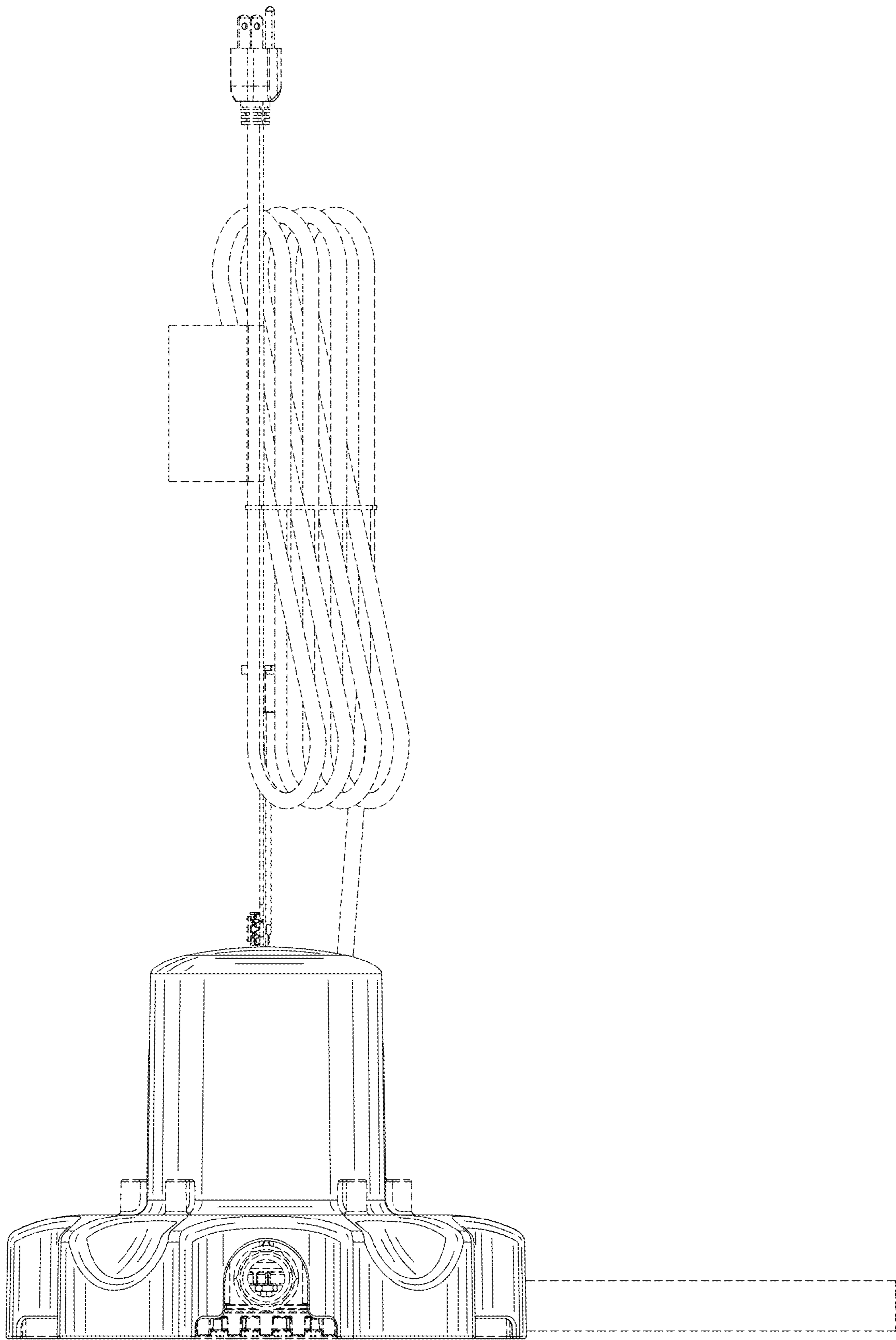


FIG. 3



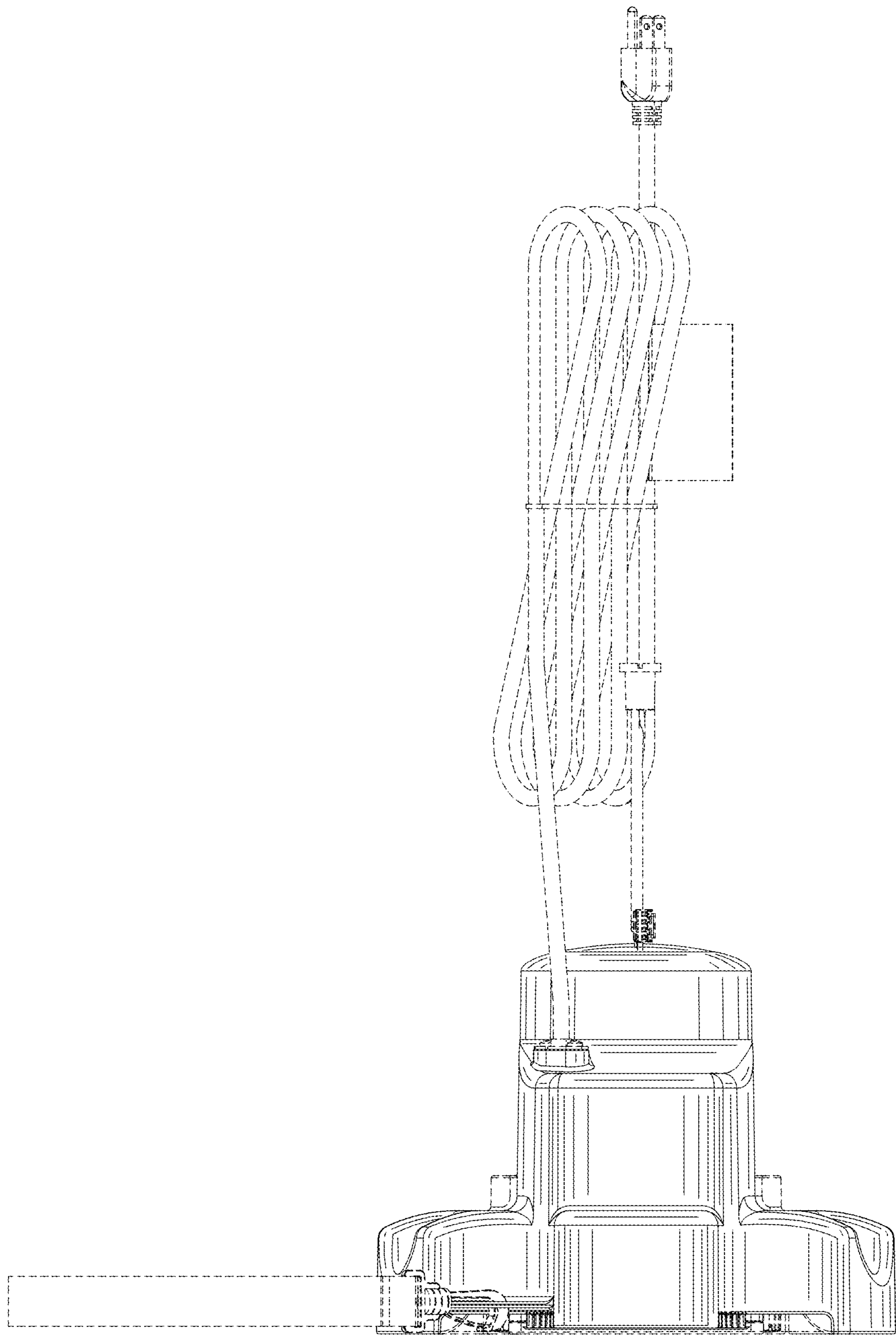


FIG. 4

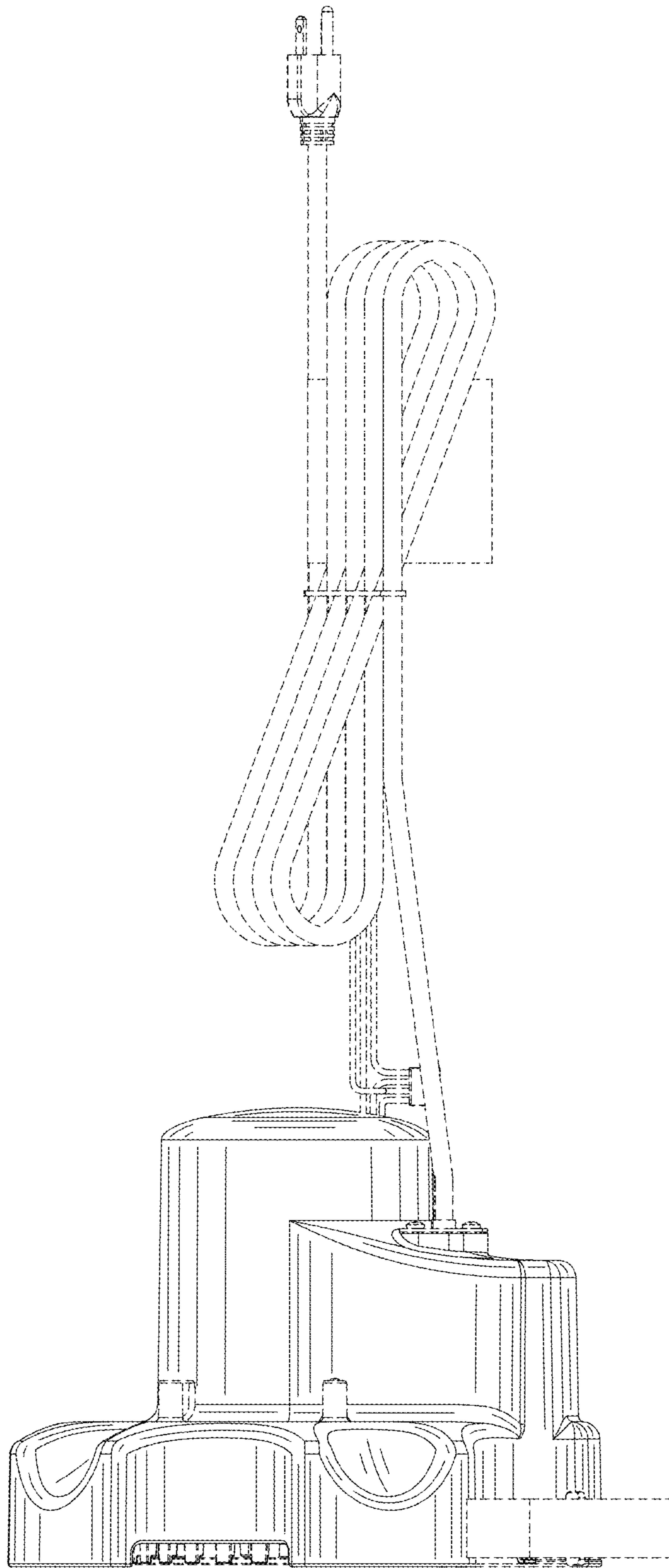


FIG. 5



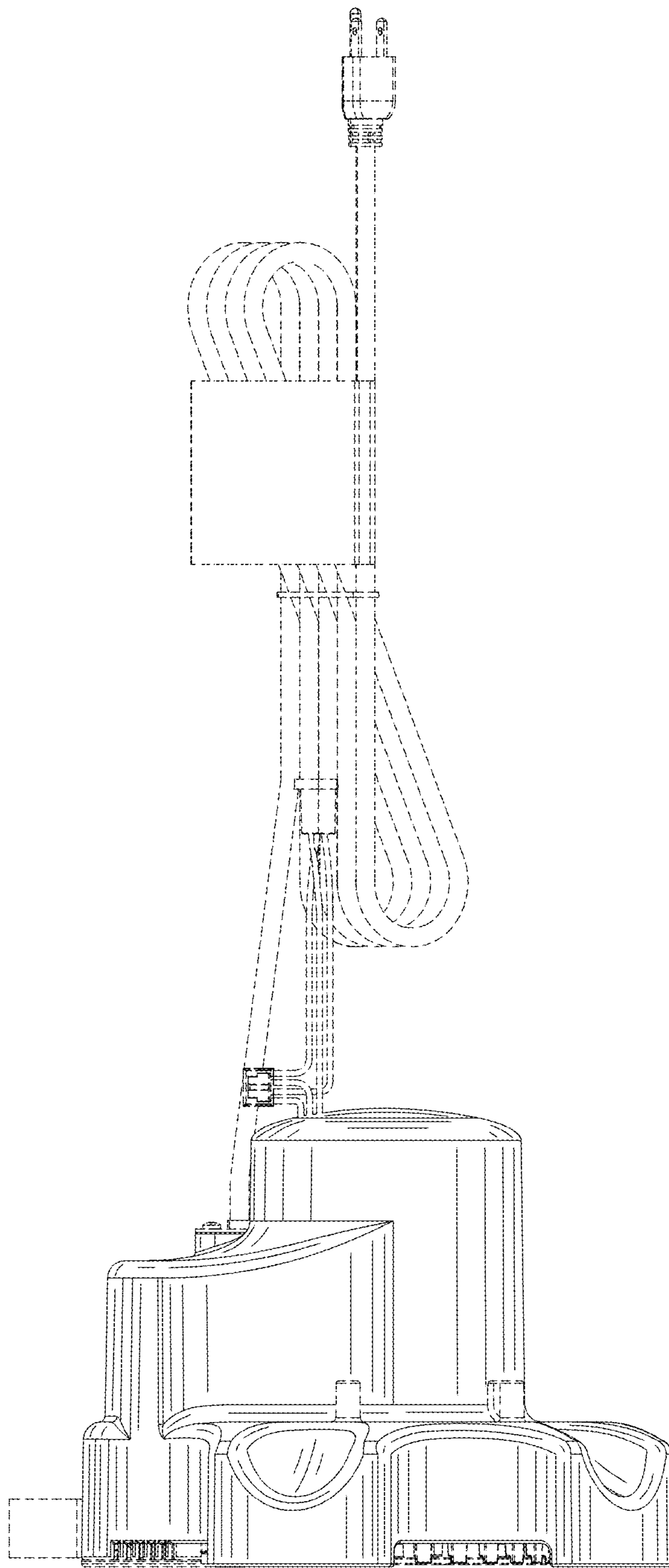


FIG. 6

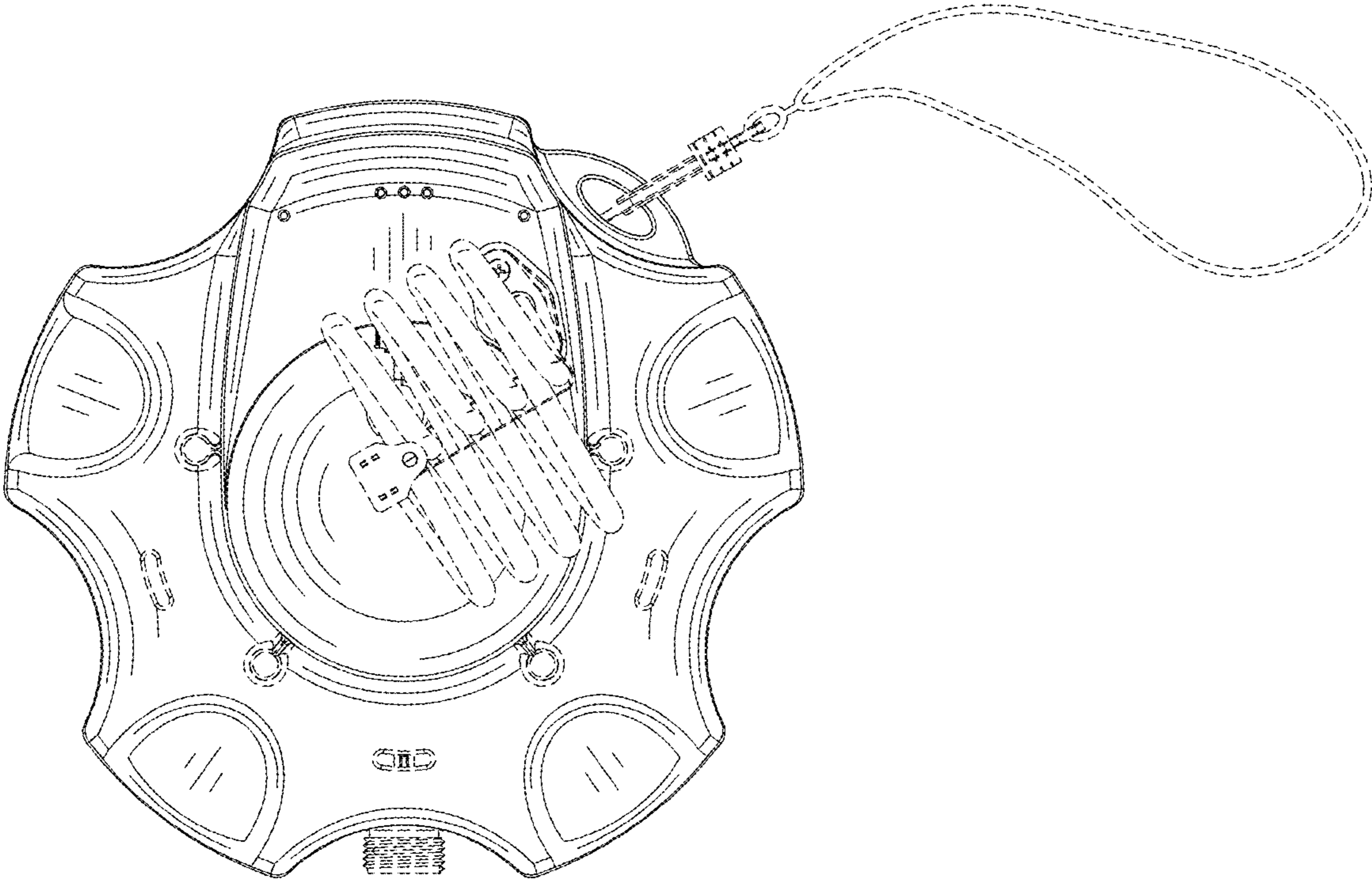


FIG. 7

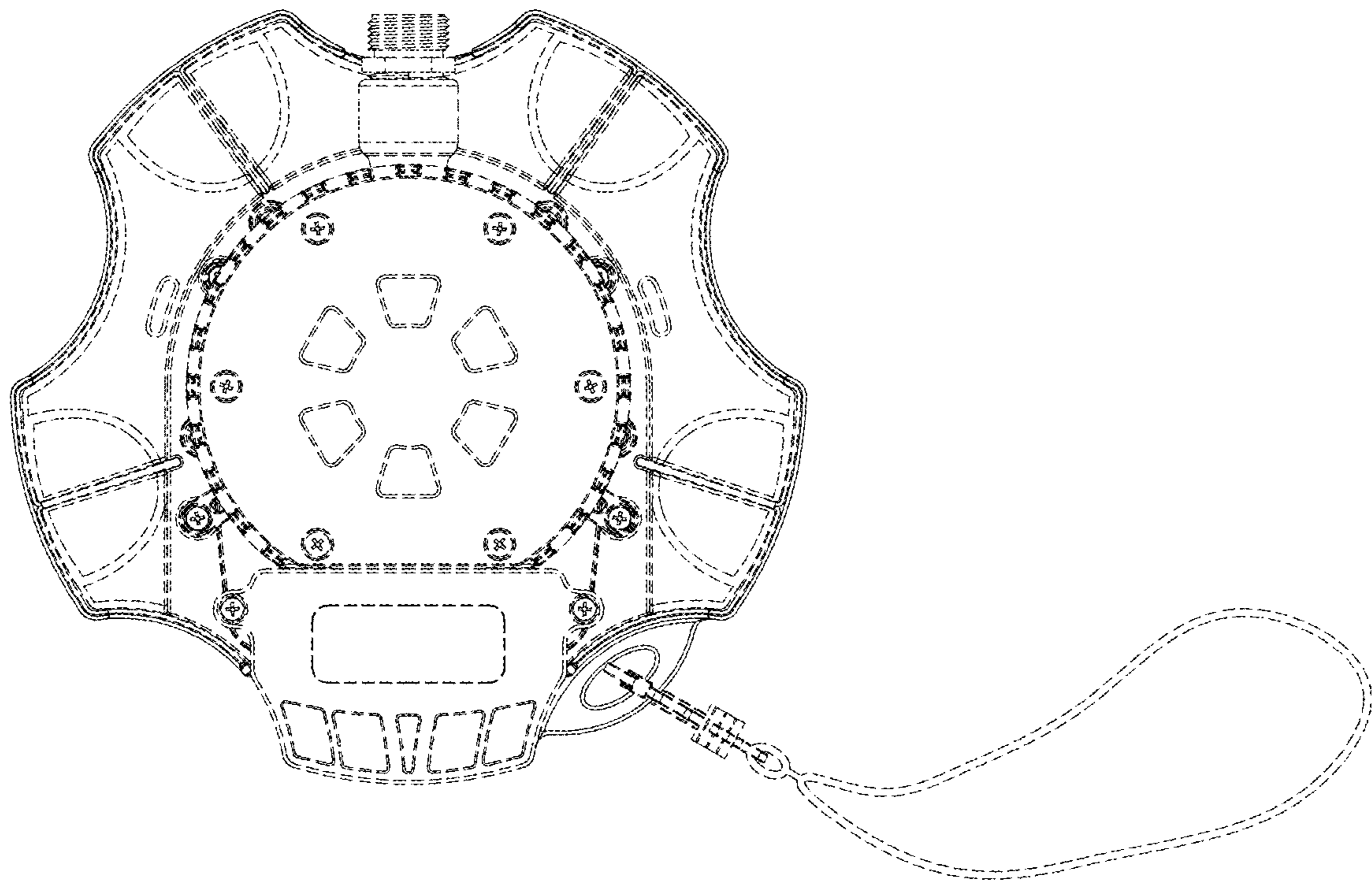


FIG. 8