

US00D942511S

(12) **United States Design Patent** (10) **Patent No.:** **US D942,511 S**
Wang (45) **Date of Patent:** **** Feb. 1, 2022**

(54) **MACERATOR PUMP**

FOREIGN PATENT DOCUMENTS

(71) Applicant: **Sa Wang**, Hangzhou (CN)

GB 120533 * 2/2021
GB 120560 * 2/2021

(72) Inventor: **Sa Wang**, Hangzhou (CN)

(**) Term: **15 Years**

OTHER PUBLICATIONS

(21) Appl. No.: **29/725,009**

(22) Filed: **Feb. 21, 2020**

(51) **LOC (13) Cl.** **15-02**

(52) **U.S. Cl.**
USPC **D15/7**

(58) **Field of Classification Search**
USPC D13/103, 107; D15/7-9; D23/210
CPC F04B 43/00; F04B 53/00; F04B 53/92;
F04B 1/005; F04B 25/00; F04B 35/00;
F04B 37/00; F04B 39/00; F04B 27/00;
F04B 43/1269; F04B 43/1276; F04B
43/08; F04B 45/08; F04B 17/03; F04B
35/04; E03B 5/00; B25B 21/02; B60S
5/04; B60S 5/046; B29C 73/00; F24F
13/222; F24F 2140/30; F04D 29/64
See application file for complete search history.

Hocanflo, 700 Watt Macerator Pump, Macerator Toilet Pump for Upflush Toilet Basement Toilet with 4 Water Connections for Laundry Machine, (First available Mar. 10, 2021), Amazon.com, URL:<https://www.amazon.com/Macerator-Upflush-Basement-Connections-Kitchen/dp/B08YJF7VBJ/> (Year: 2021).*
Saniflo, Saniflo 002 SANIPLUS Macerating Pump, White, (First available May 19, 2008), Amazon.com, URL:<https://www.amazon.com/Saniflo-002-SANIPLUS-Macerating-White/dp/B0019S4JRW/> (Year: 2008).*

* cited by examiner

Primary Examiner — Calvin E Vansant
Assistant Examiner — Mark T. Philipps
(74) *Attorney, Agent, or Firm* — Rमित Ranjit Kanakia

(56) **References Cited**

(57) **CLAIM**

I claim the ornamental design for a macerator pump, as shown and described.

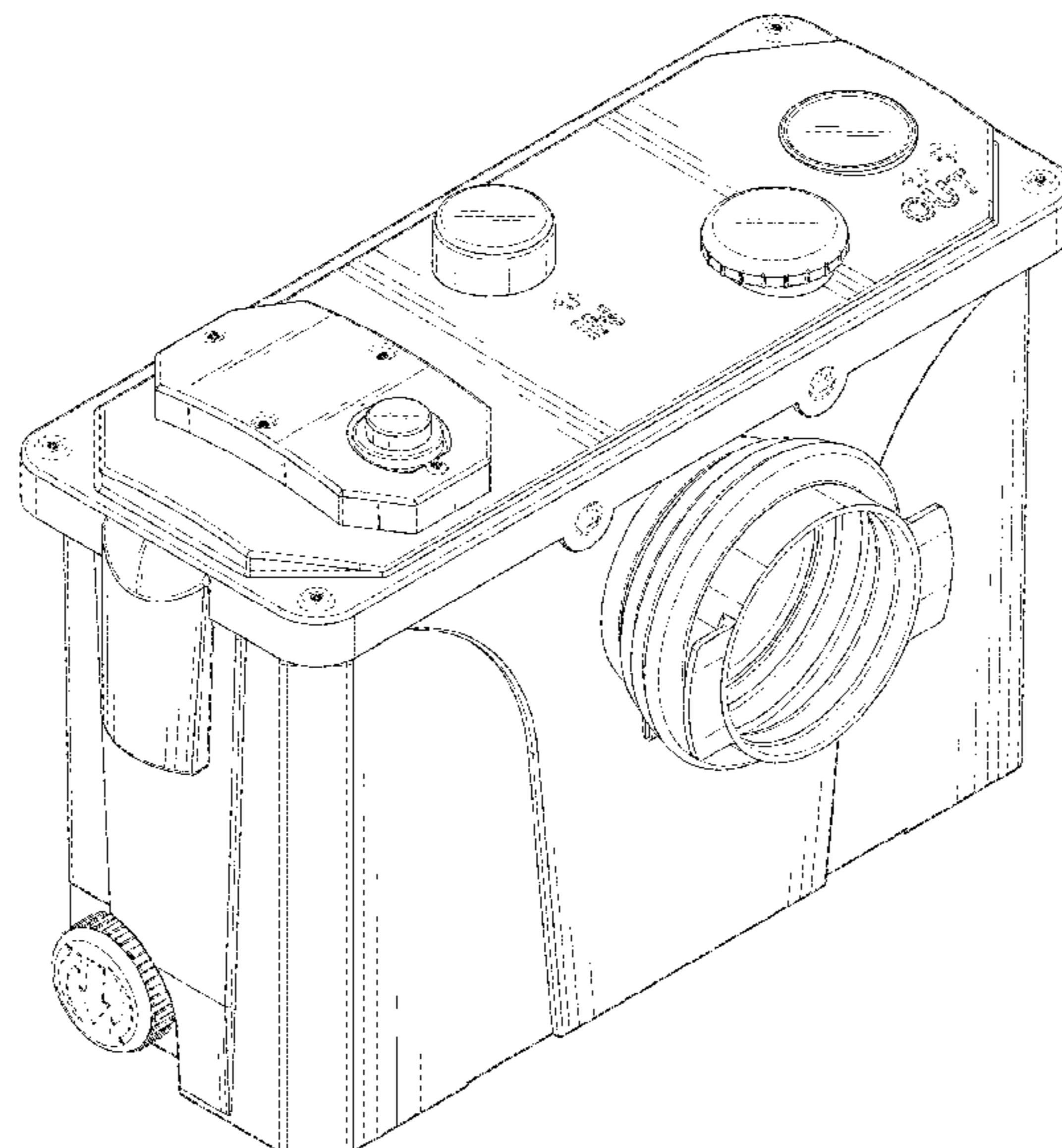
U.S. PATENT DOCUMENTS

DESCRIPTION

6,343,752 B1 * 2/2002 Sleasman E03F 5/22
241/101.3
7,203,976 B1 * 4/2007 Weller E03D 11/11
4/315
8,235,316 B1 * 8/2012 Heinsler E03D 9/10
241/21
9,115,486 B2 * 8/2015 Rakoczy E03D 5/01
9,617,993 B2 * 4/2017 Mehta F04C 13/001
D931,339 S * 9/2021 Wang D15/7
2010/0322756 A1 * 12/2010 Schmidt, P.E. E03F 5/22
415/121.1
2012/0031823 A1 * 2/2012 Hamann C02F 1/76
210/170.11
2021/0180711 A1 * 6/2021 Van Riel F16K 31/535

FIG. 1 is a Perspective view of a macerator pump showing my new design;
FIG. 2 is other Perspective view thereof;
FIG. 3 is a Front view thereof;
FIG. 4 is a Back view thereof;
FIG. 5 is a Right-side view thereof;
FIG. 6 is a Left-side view thereof;
FIG. 7 is a Top view thereof; and,
FIG. 8 is a Bottom view thereof.
The broken lines showcasing in the macerator pump form no part of the claimed design.

1 Claim, 8 Drawing Sheets



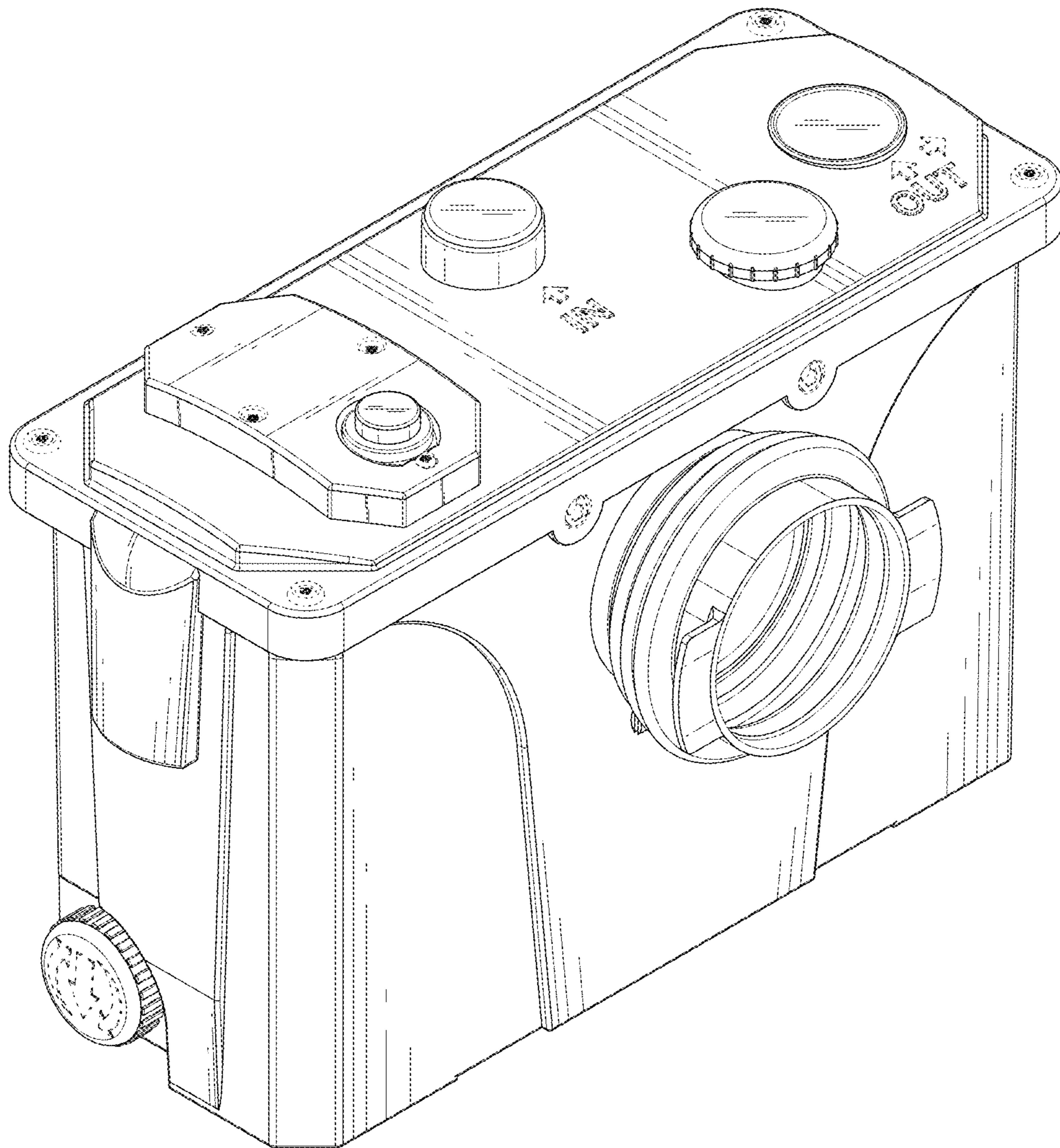


FIG. 1

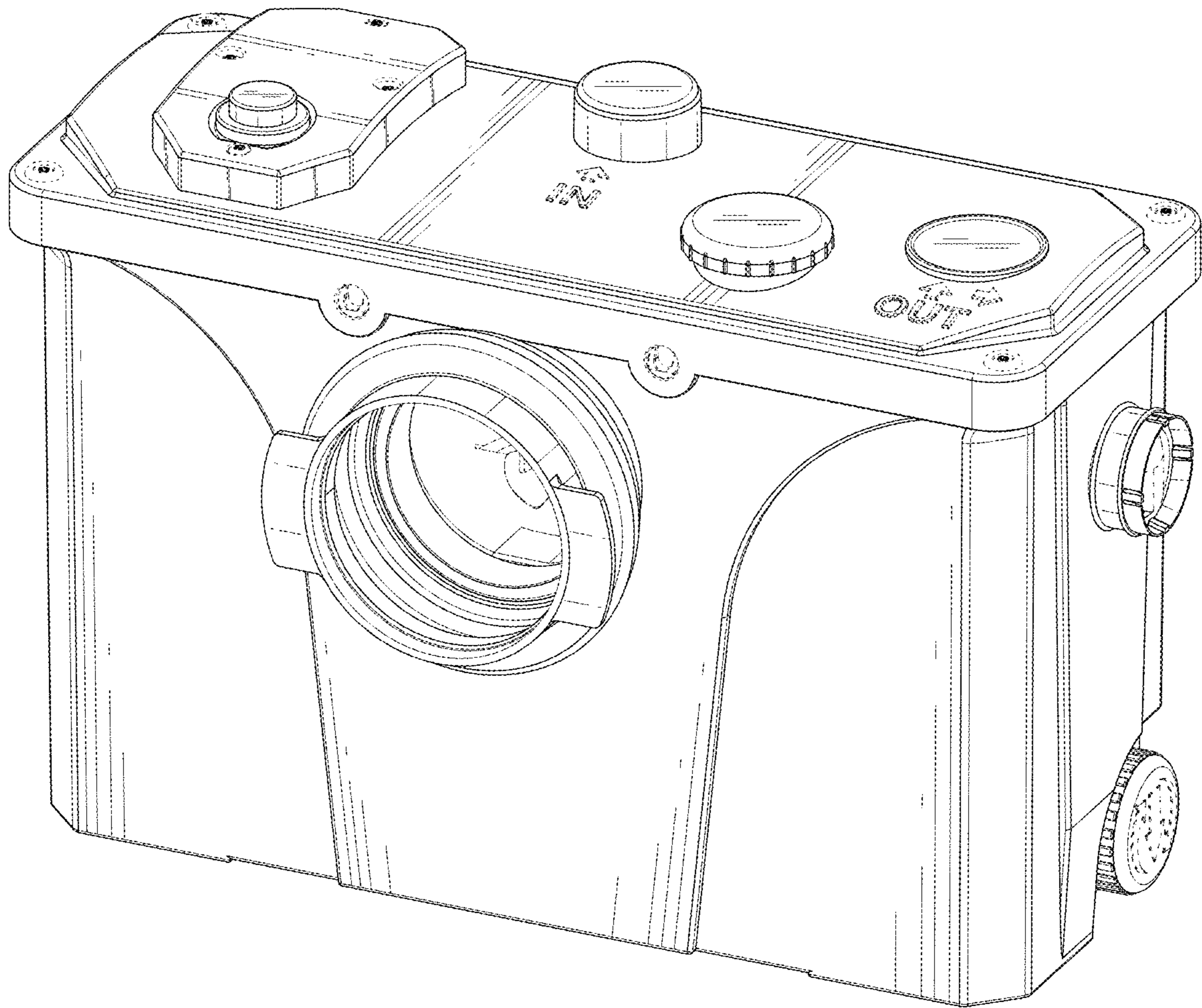


FIG. 2

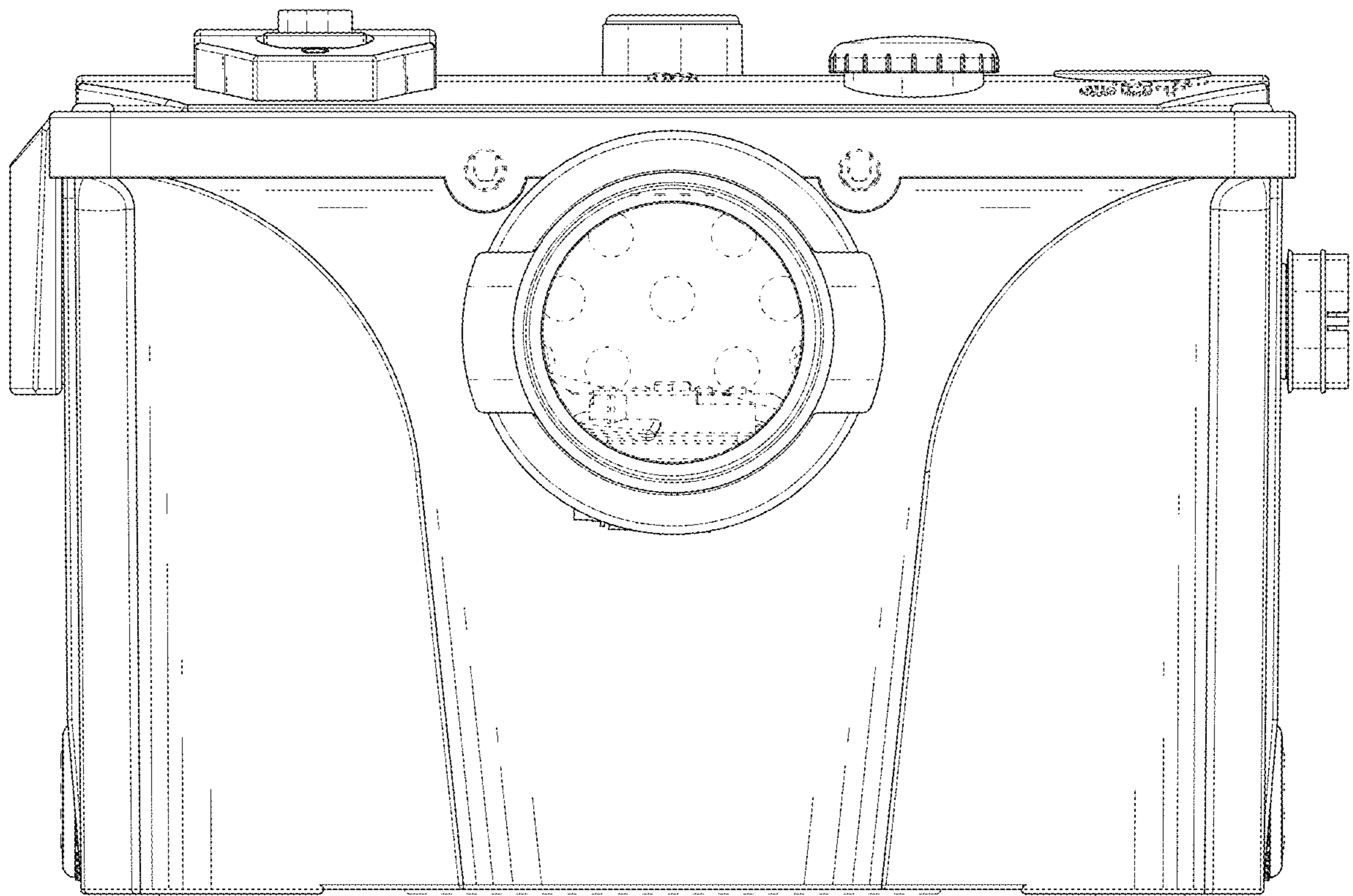


FIG. 3

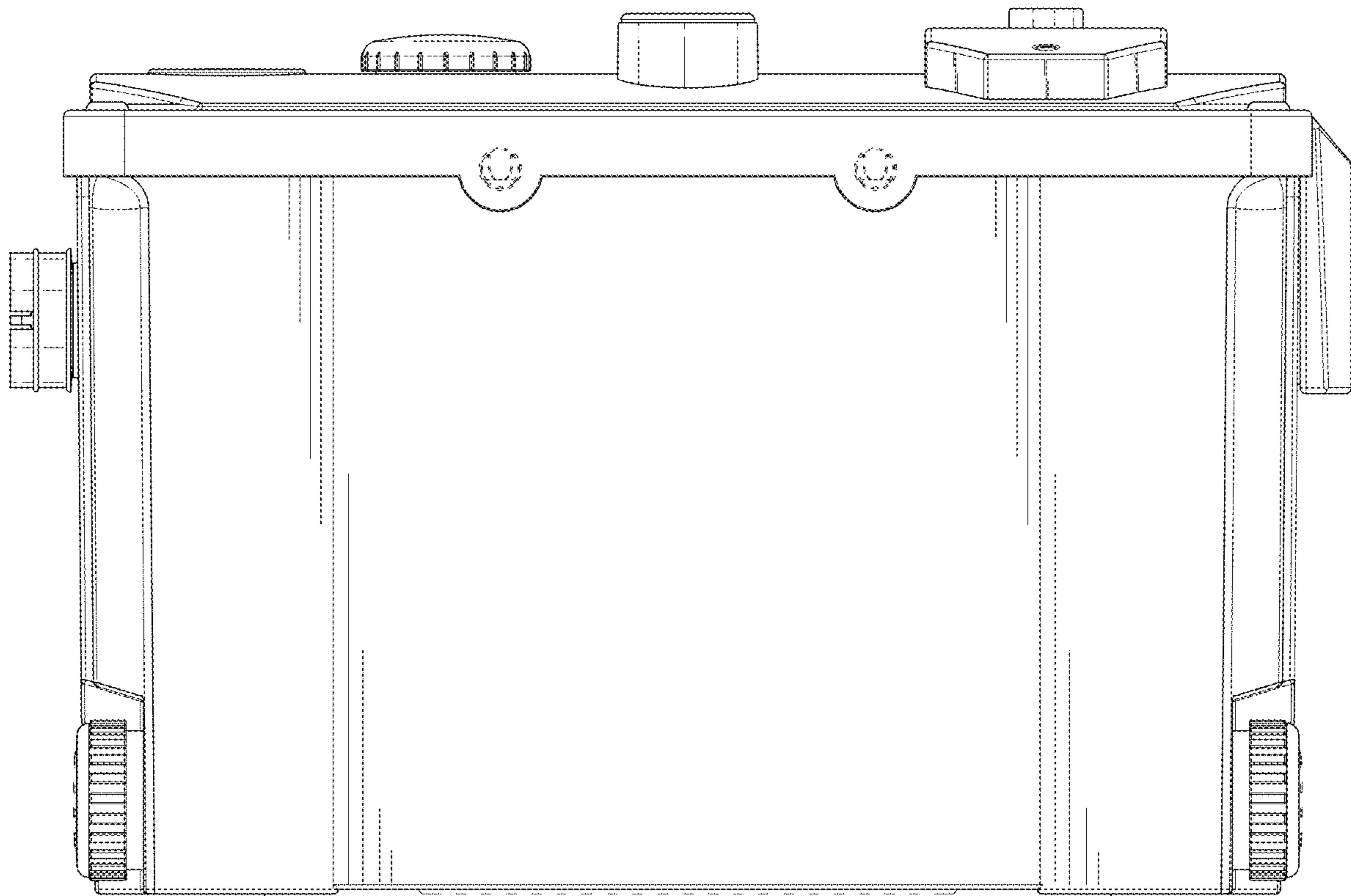


FIG. 4

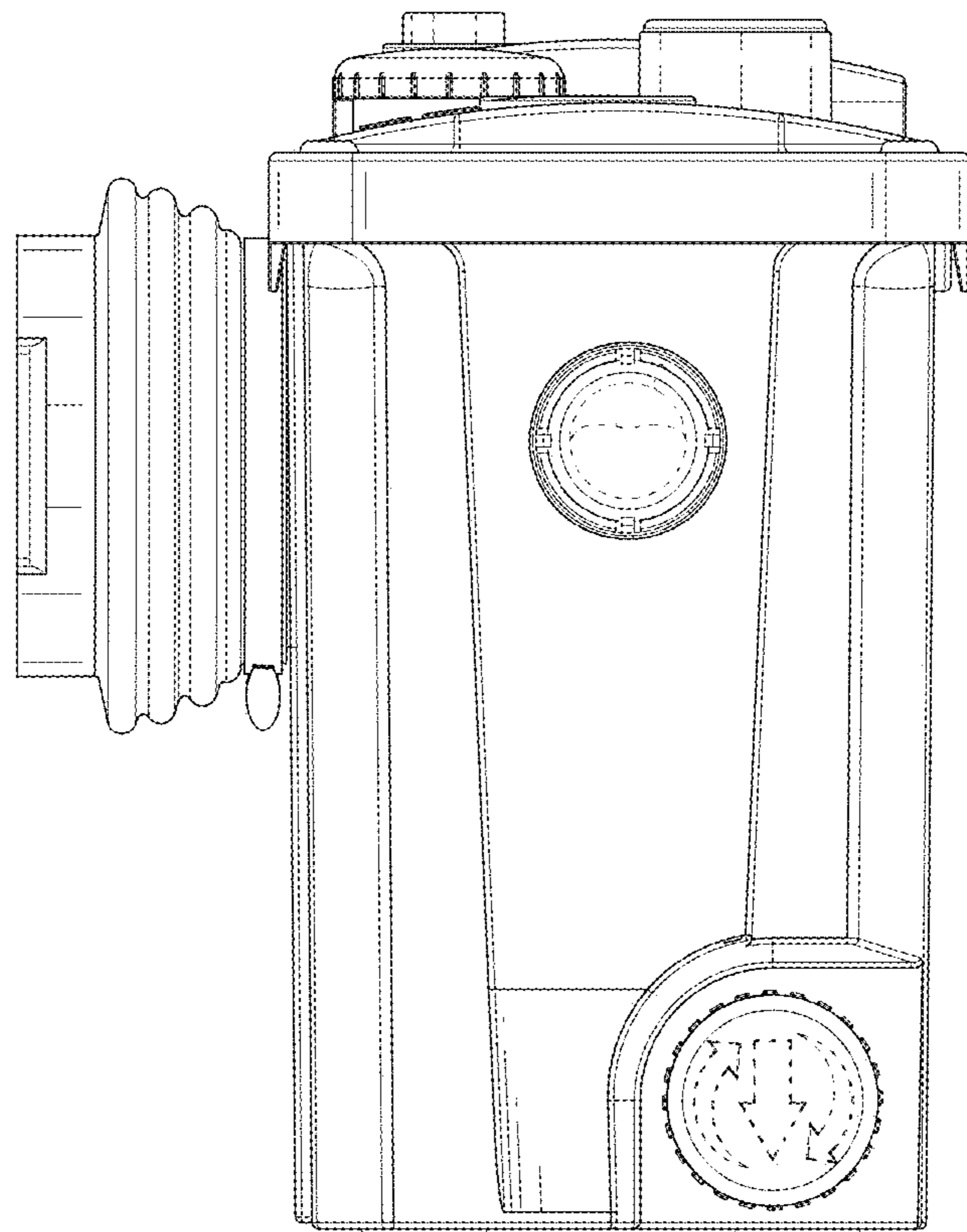


FIG. 5

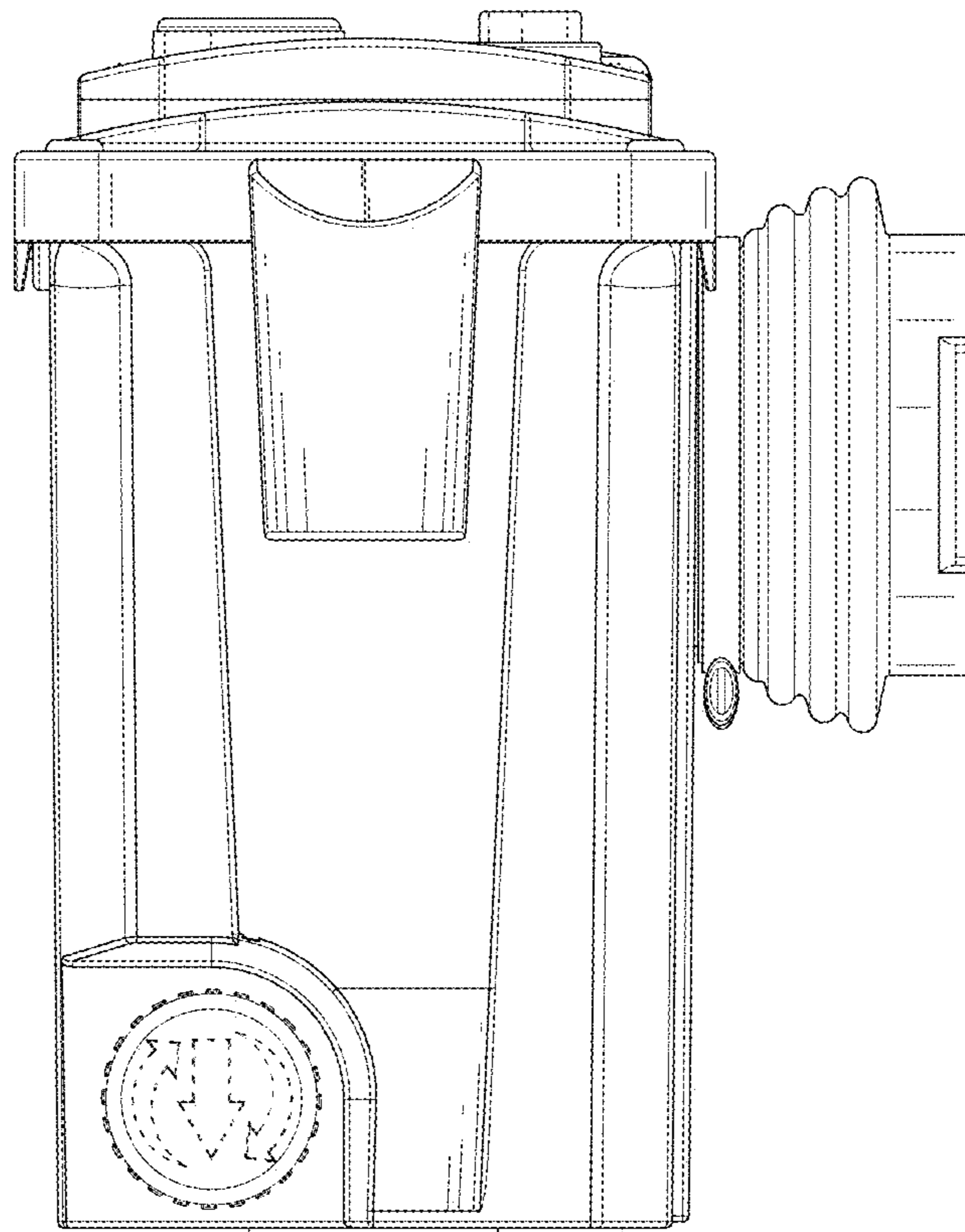


FIG. 6

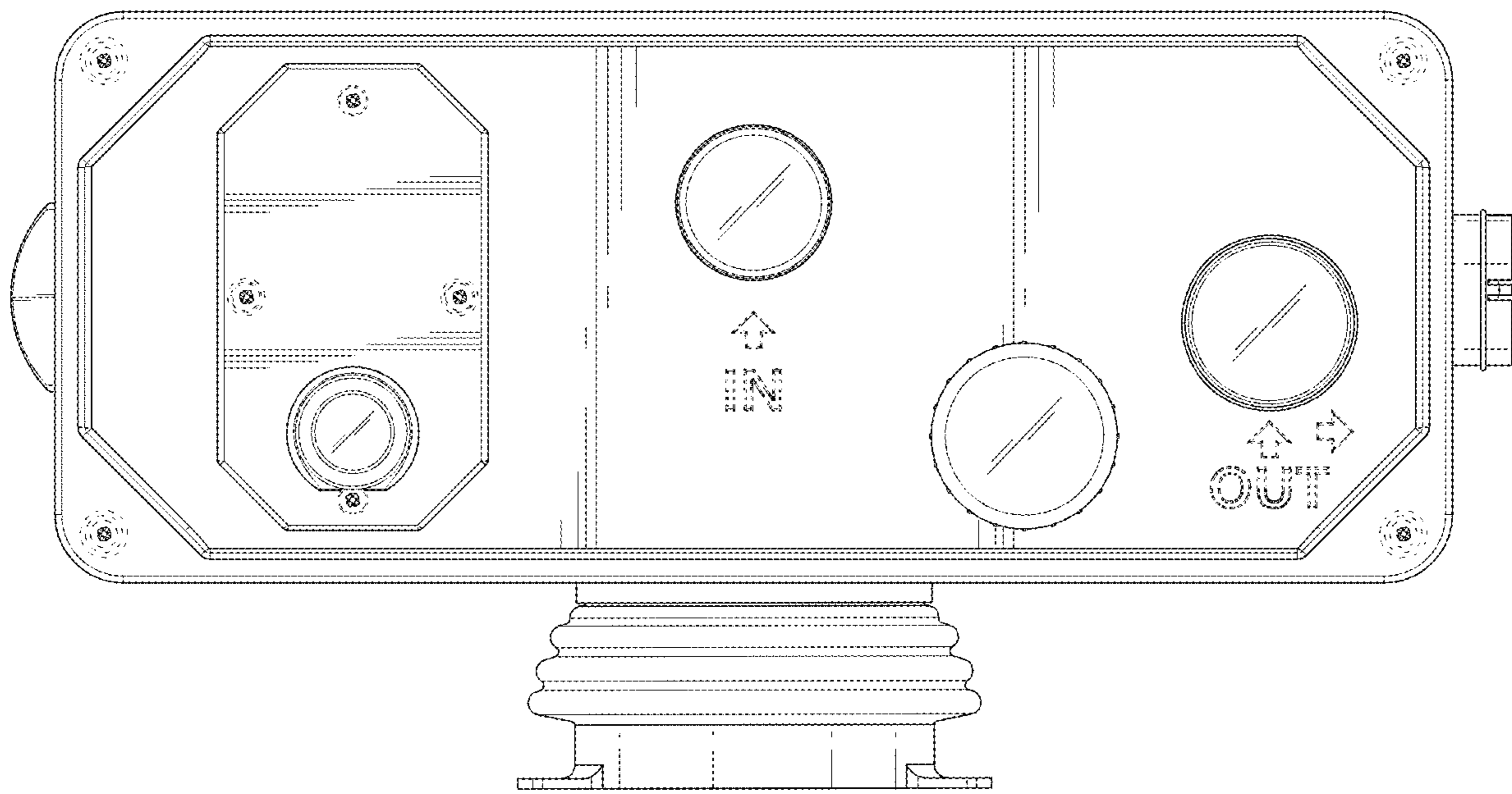


FIG. 7

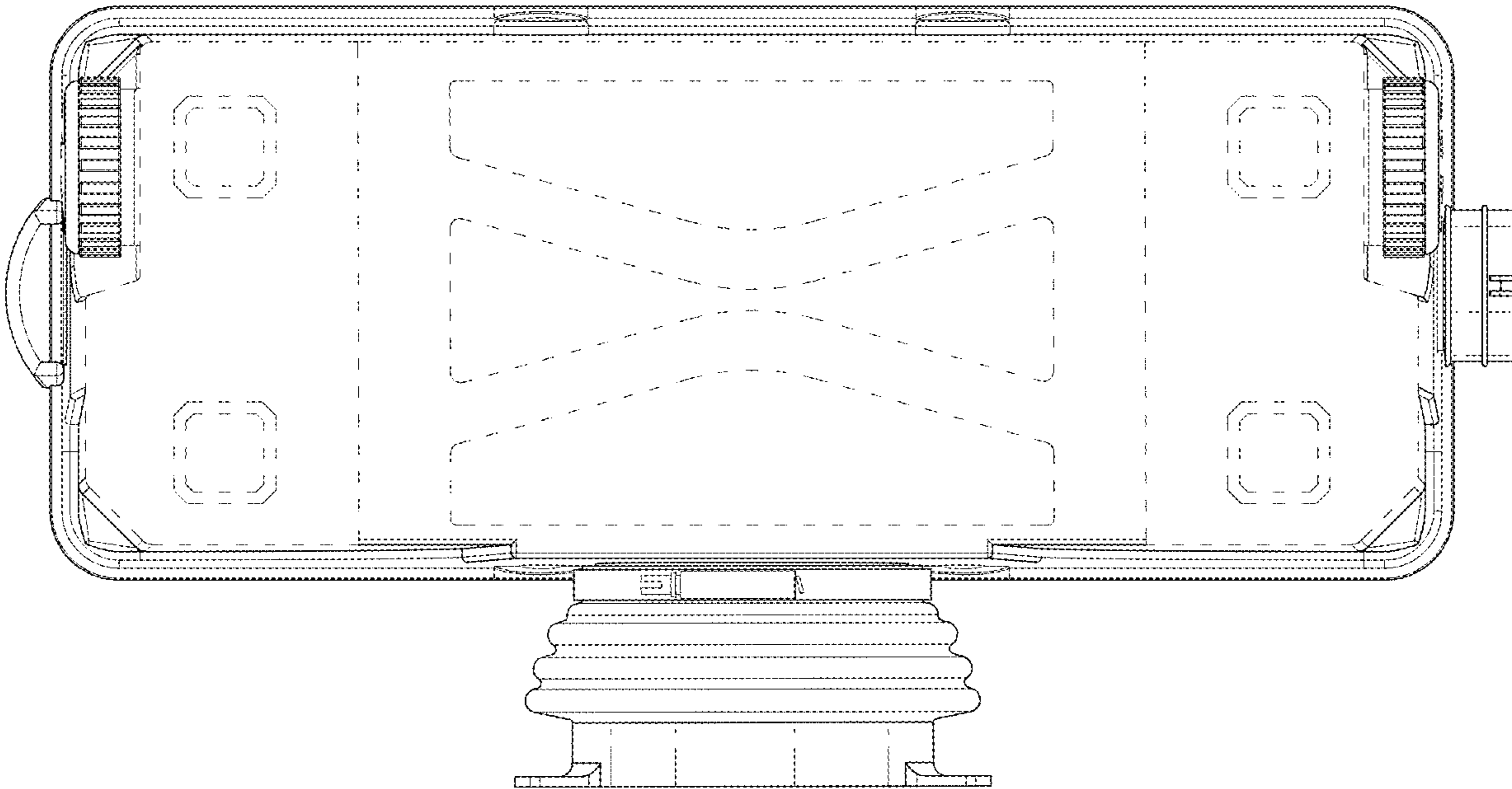


FIG. 8