



US00D942510S

(12) **United States Design Patent** (10) **Patent No.:** **US D942,510 S**
Naito et al. (45) **Date of Patent:** **** Feb. 1, 2022**

(54) **ELECTRIC DRIVE UNIT**

(71) Applicant: **MEIDENSHA CORPORATION**,
Tokyo (JP)

(72) Inventors: **Yoshiharu Naito**, Tokyo (JP);
Takahiko Oishi, Tokyo (JP); **Yohei Takahashi**, Tokyo (JP)

(73) Assignee: **MEIDENSHA CORPORATION**,
Tokyo (JP)

(**) Term: **15 Years**

(21) Appl. No.: **29/728,078**

(22) Filed: **Mar. 16, 2020**

(30) **Foreign Application Priority Data**

Sep. 20, 2019 (JP) 2019-021025

(51) **LOC (13) Cl.** **15-01**

(52) **U.S. Cl.**
USPC **D15/5**

(58) **Field of Classification Search**
USPC D15/1, 2, 3, 4, 5, 6; D13/113, 112
CPC H02K 11/33; H02K 5/04; B60K 6/405;
B60K 2006/268

See application file for complete search history.

(56) **References Cited**

U.S. PATENT DOCUMENTS

D697,478 S * 1/2014 Dasbach D13/112
10,359,108 B1 * 7/2019 Ortiz F16H 57/031

D909,300 S * 2/2021 Boehnke D13/112
D918,143 S * 5/2021 Boehnke D13/118
D918,144 S * 5/2021 Boehnke D13/118
2016/0218584 A1 * 7/2016 Fukushima H02K 5/225
2016/0218602 A1 * 7/2016 Fukushima H02K 5/225
2019/0232797 A1 * 8/2019 Liu H02K 7/006
2019/0372409 A1 * 12/2019 Liu H02K 5/24
2021/0044181 A1 * 2/2021 Ishikawa H02K 11/33

* cited by examiner

Primary Examiner — Ania Aman

(74) *Attorney, Agent, or Firm* — Fitch, Even, Tabin & Flannery LLP

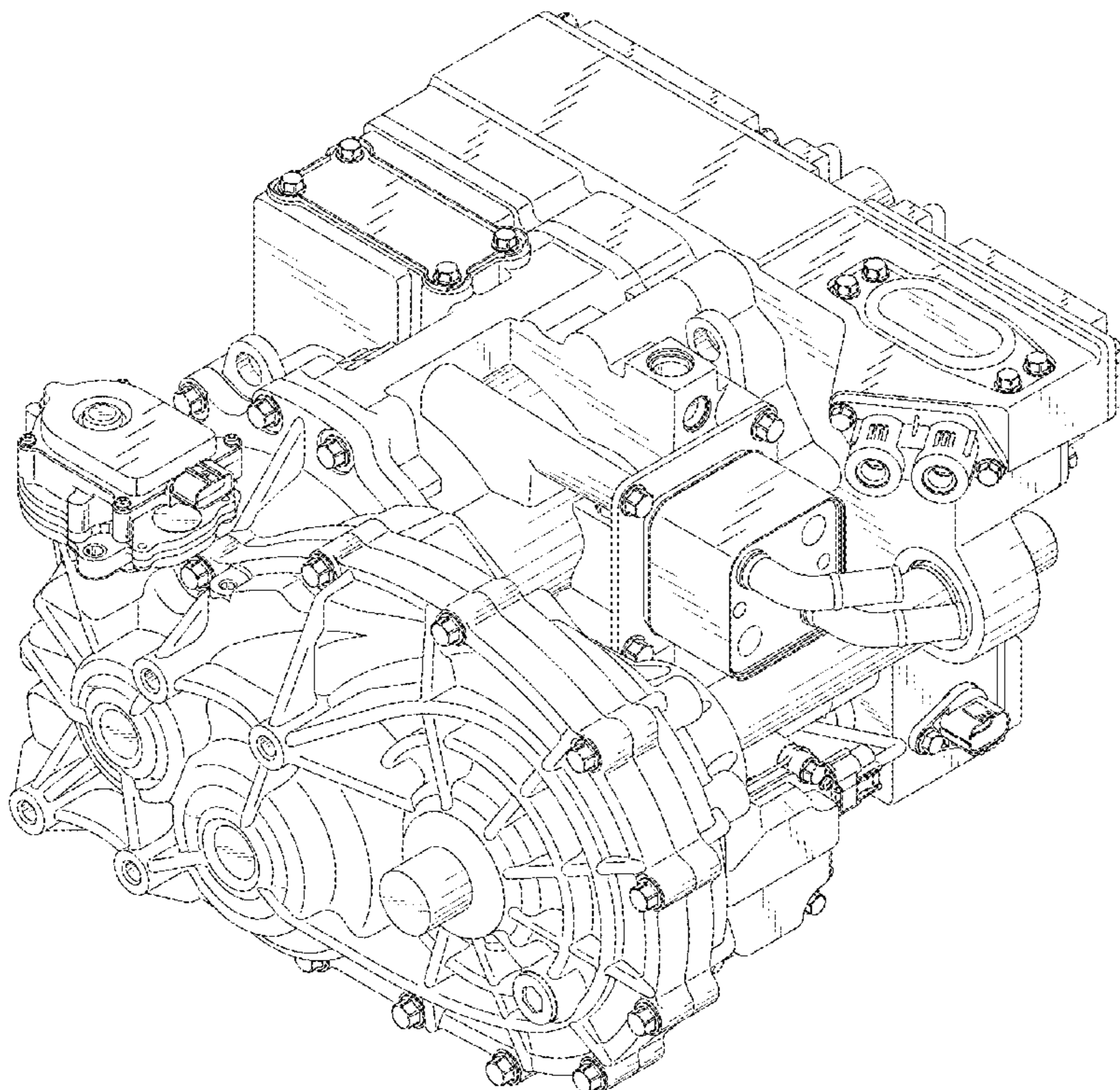
(57) **CLAIM**

We claim the ornamental design for an electric drive unit, as shown and described.

DESCRIPTION

FIG. 1 is a front, left, top perspective view of an electric drive unit, showing our new design;
FIG. 2 is a front, right, top perspective view thereof;
FIG. 3 is a front elevational view thereof;
FIG. 4 is a rear elevational view thereof;
FIG. 5 is a top plan view thereof;
FIG. 6 is a bottom plan view thereof;
FIG. 7 is a right side elevational view thereof; and,
FIG. 8 is a left side elevational view thereof.
The dashed broken lines show portions of the electric drive unit that form no part of the claimed design.

1 Claim, 8 Drawing Sheets



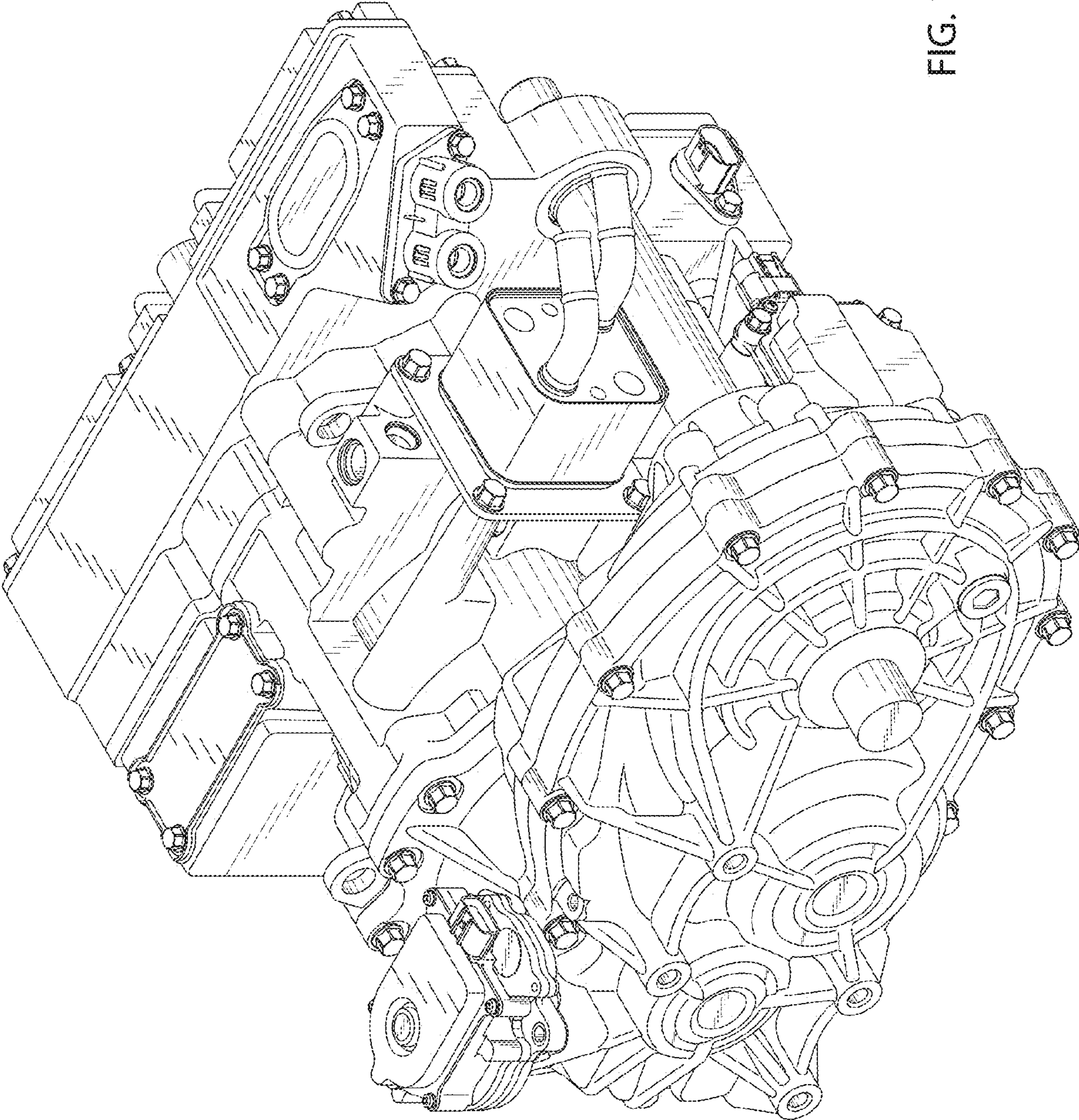


FIG. 1

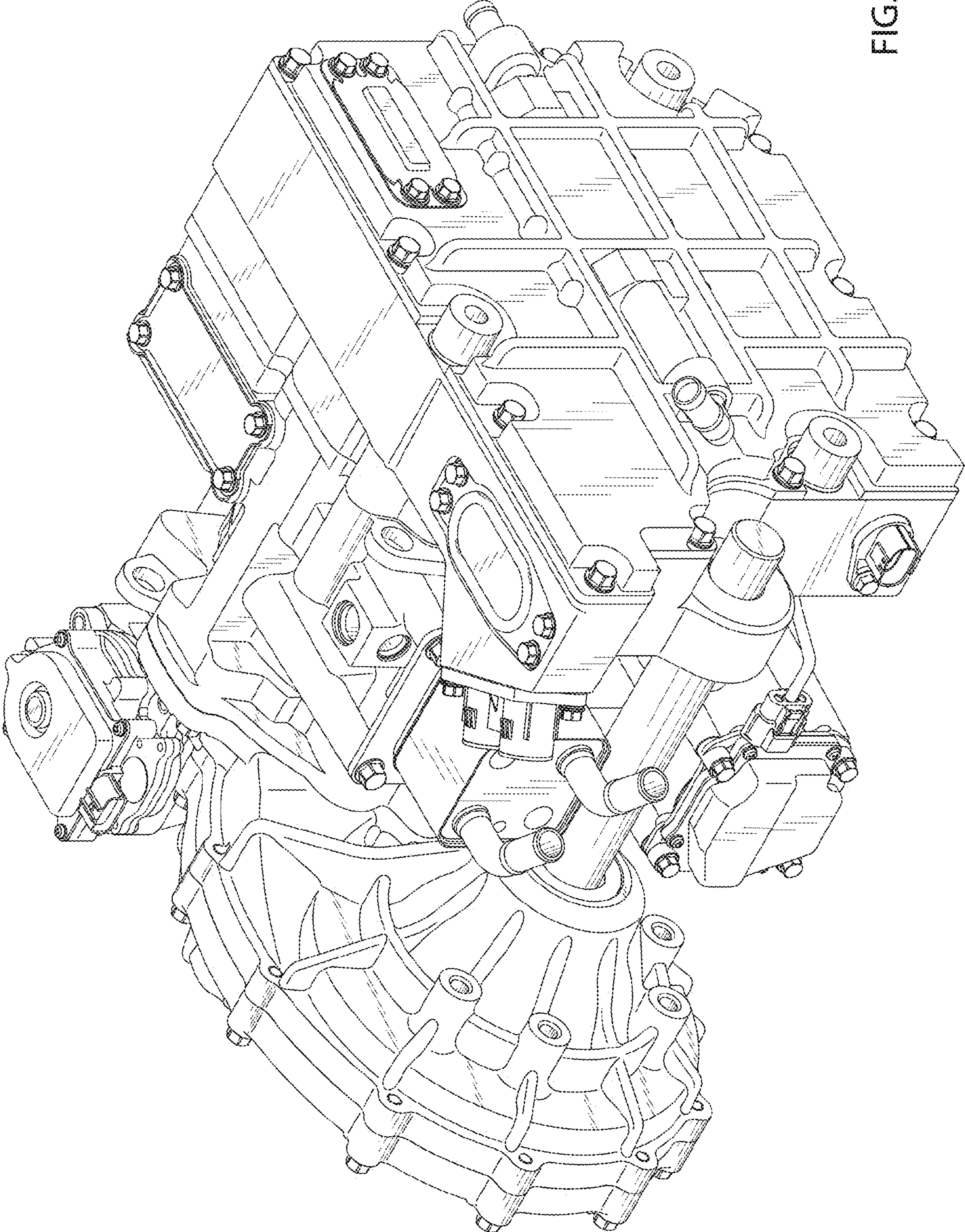


FIG. 2

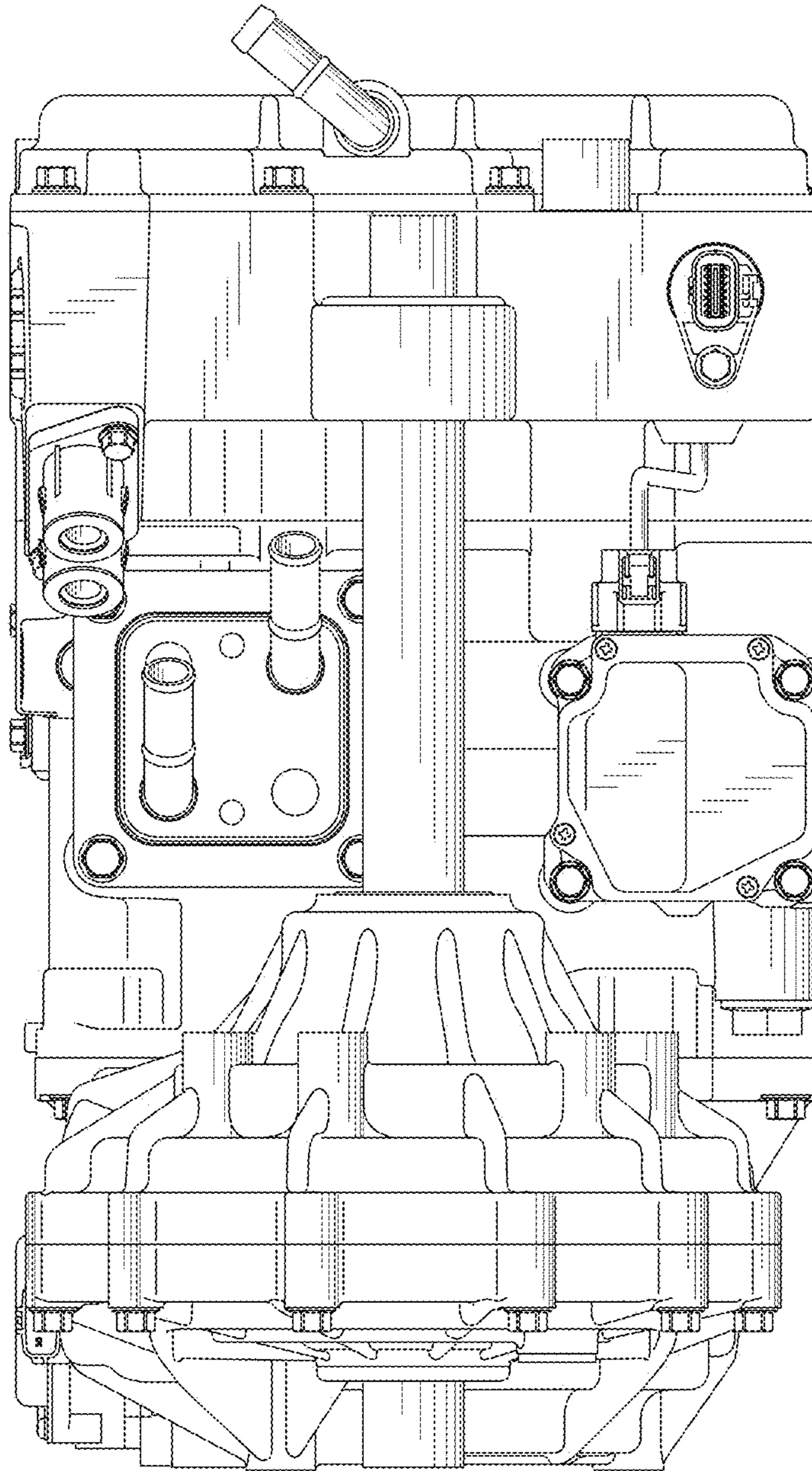


FIG. 3

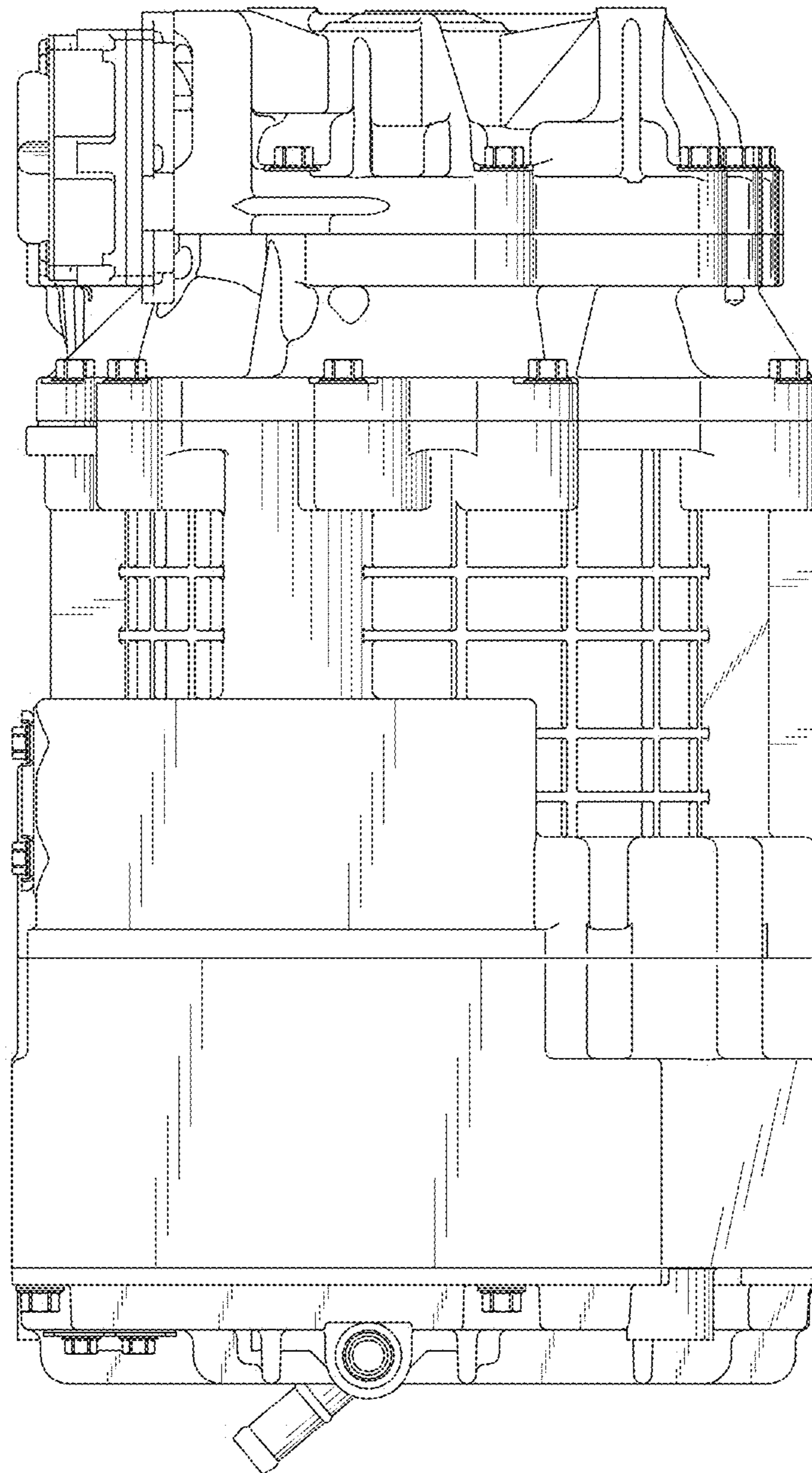


FIG. 4

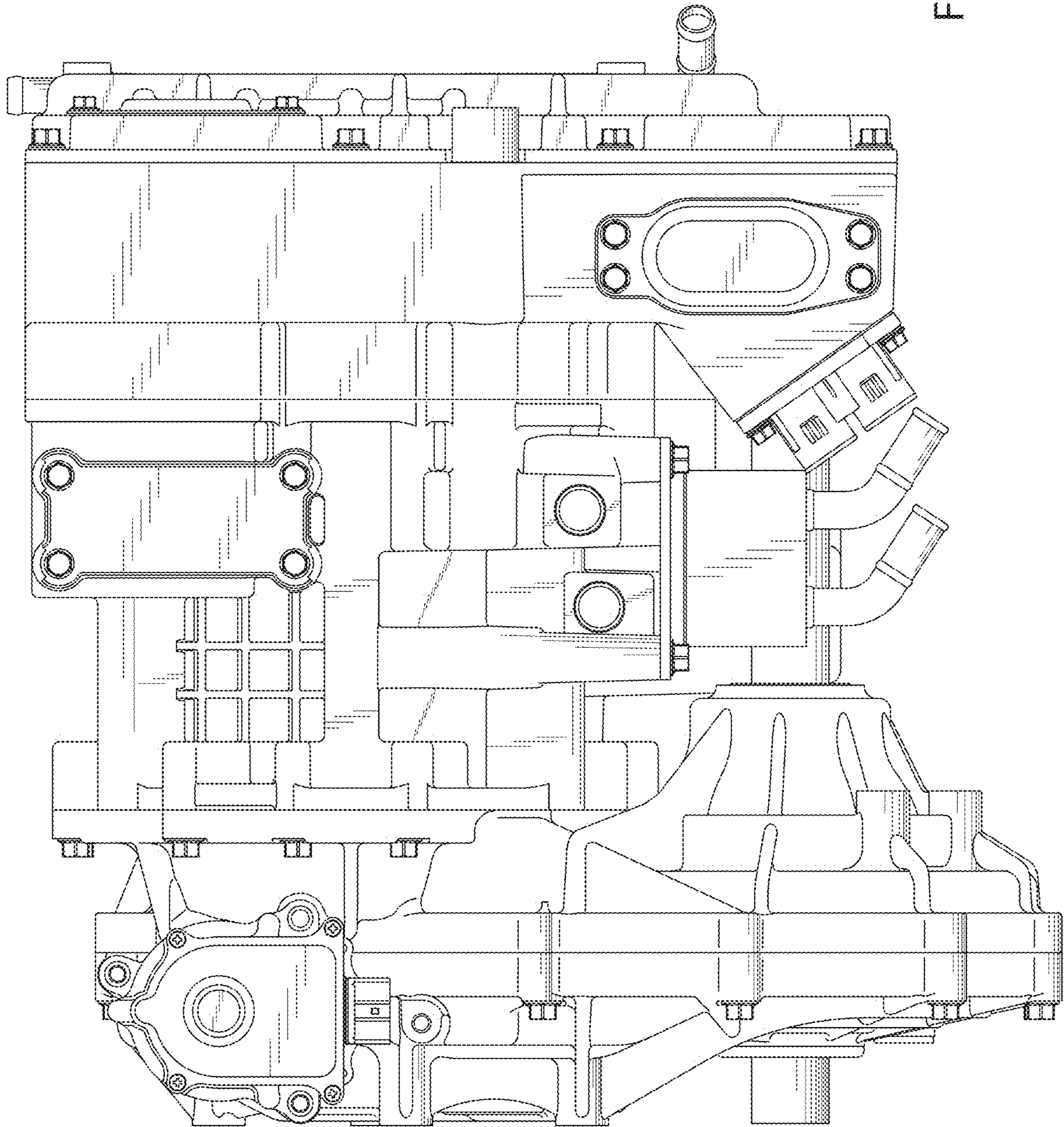
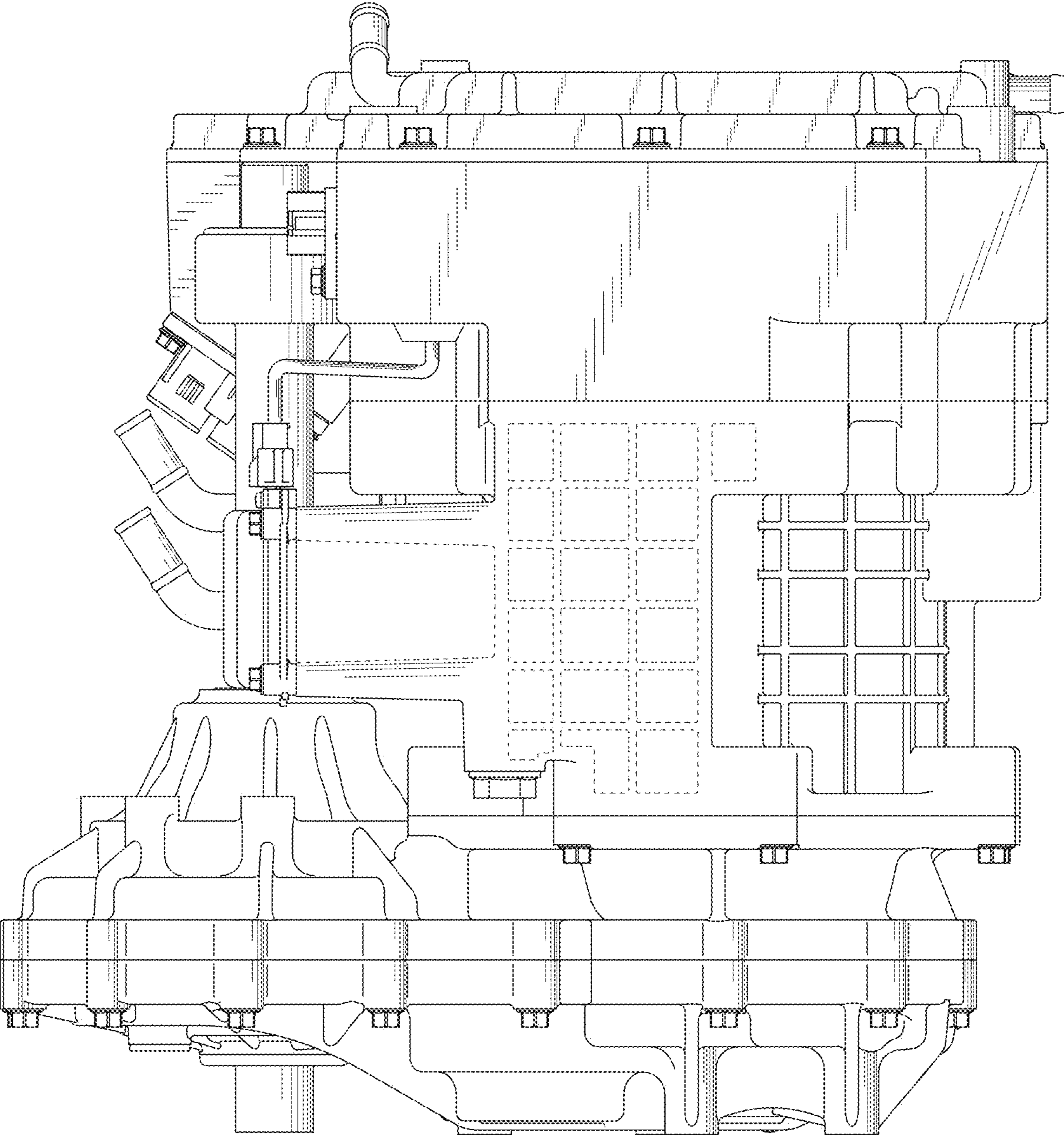


FIG. 5

FIG. 6



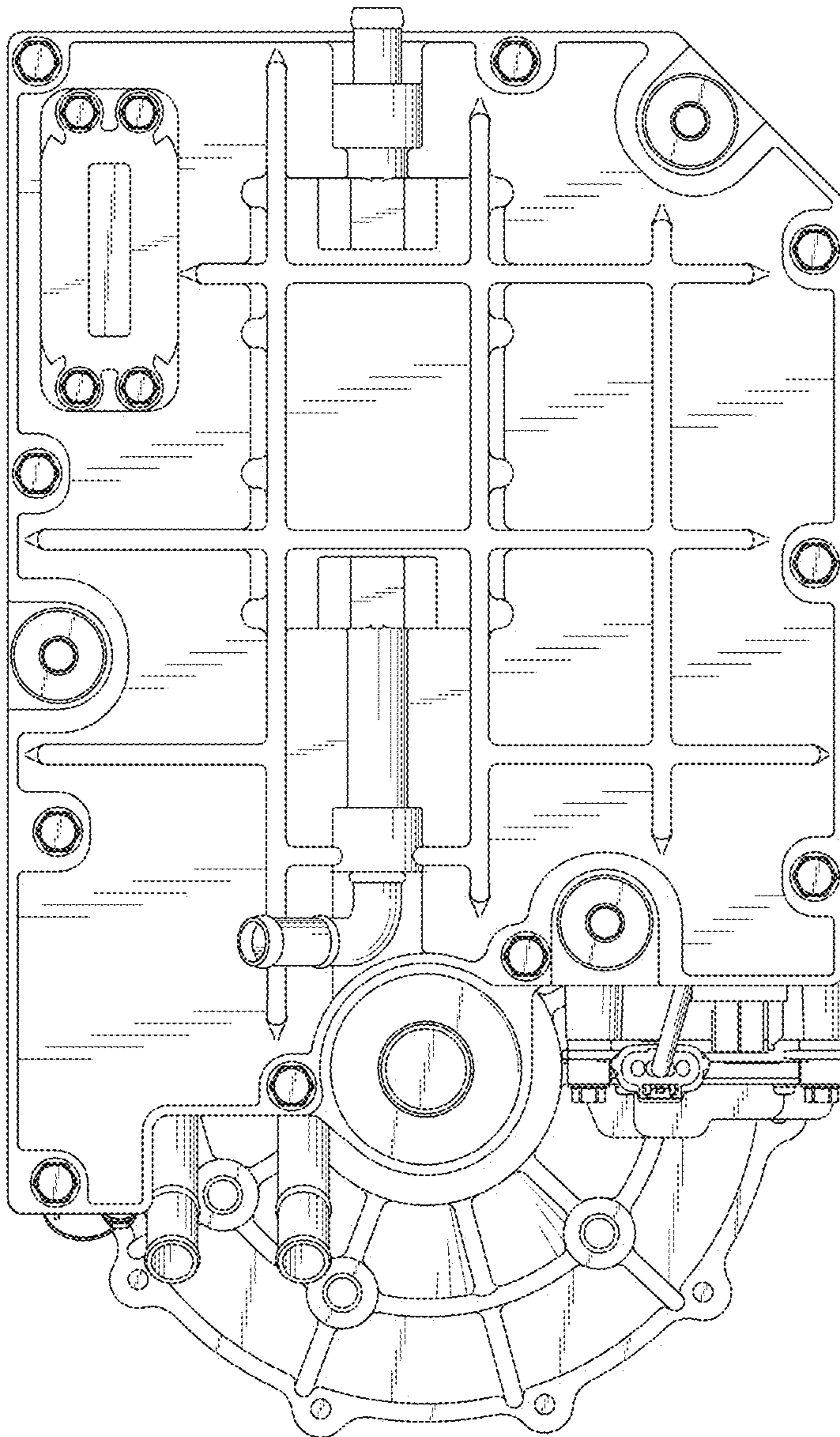


FIG. 7

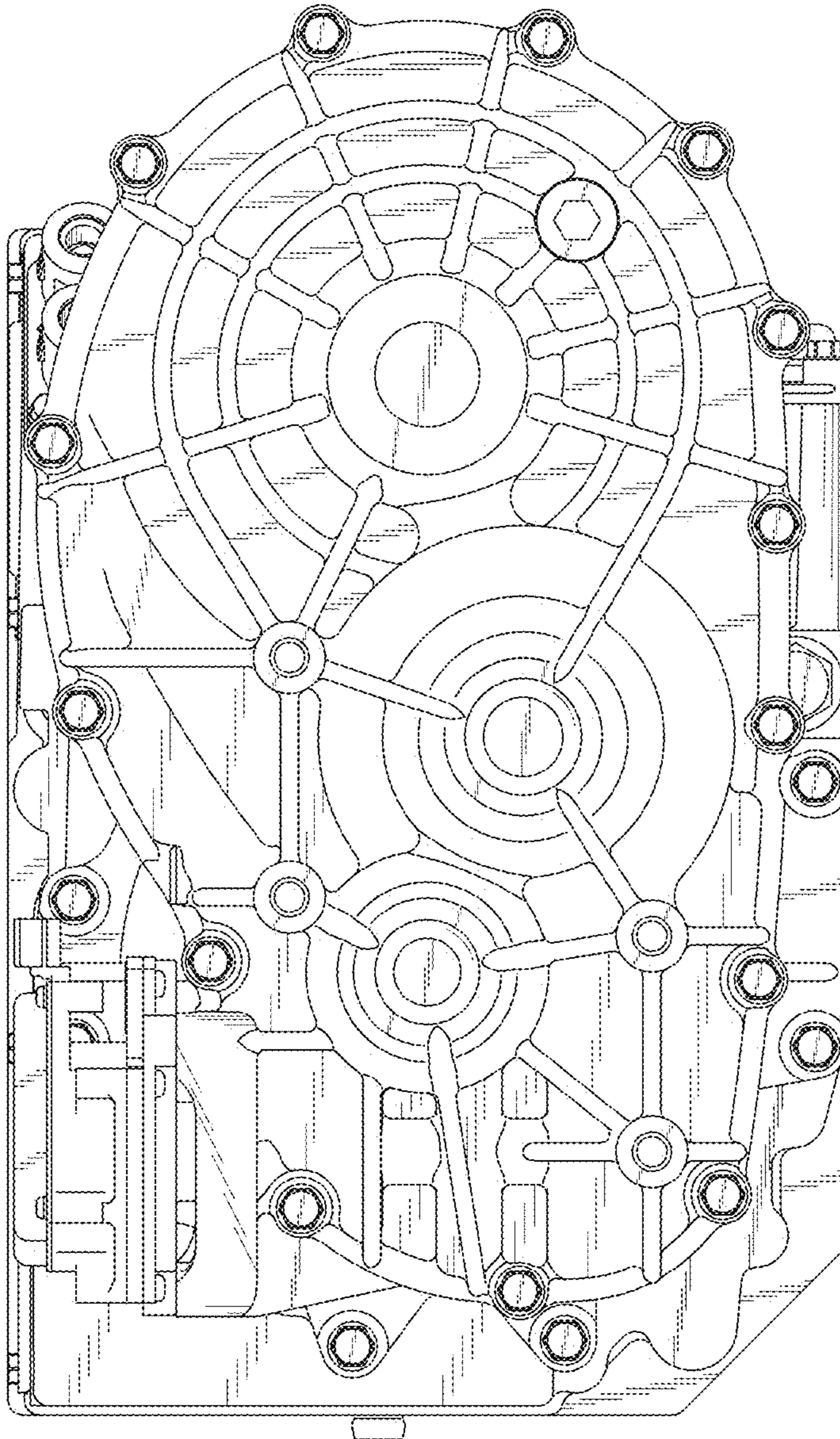


FIG. 8